



**IPC Integrated Professional Cleaning**

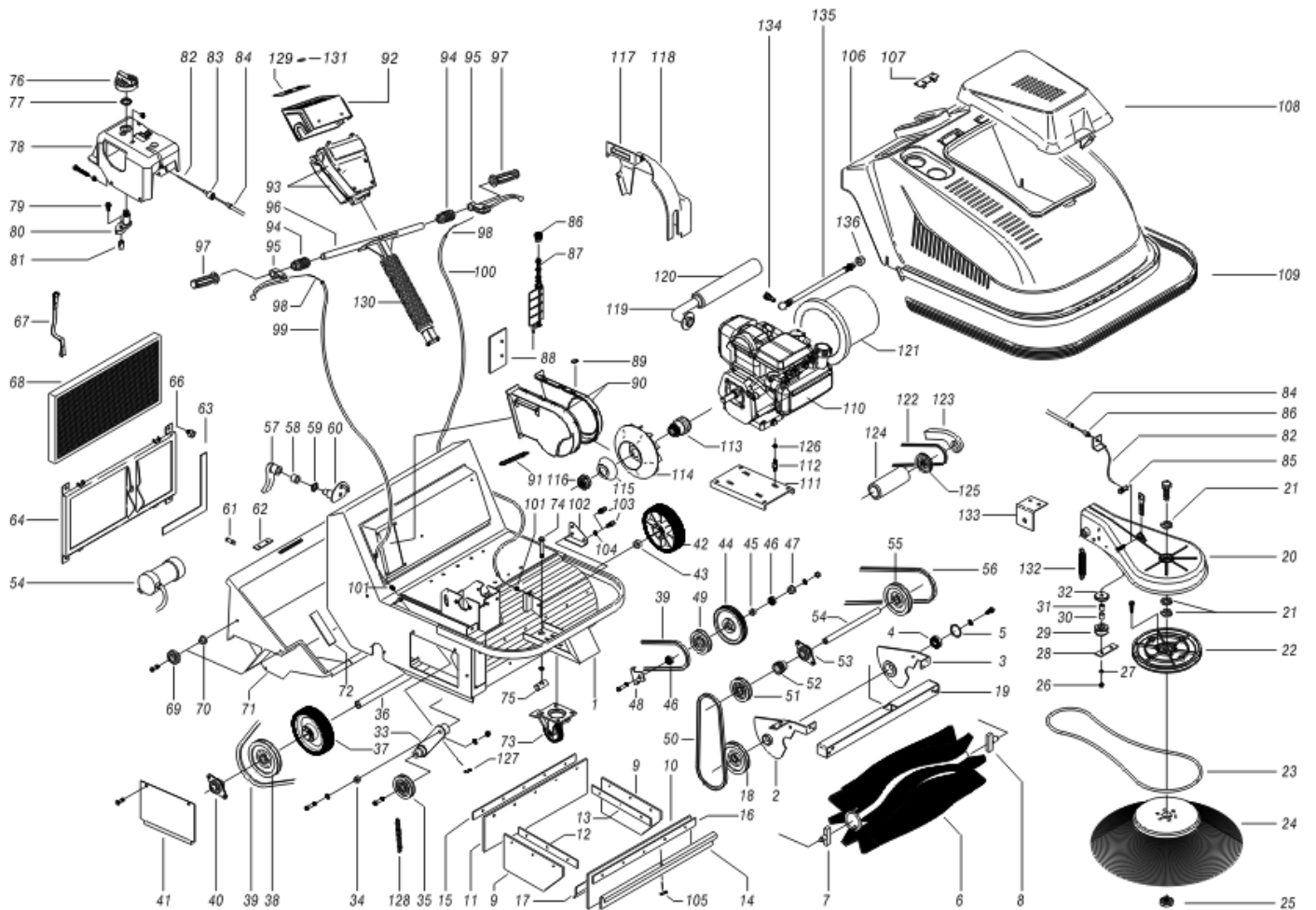
**IPC**Portotecnica

## **Spare Parts List**

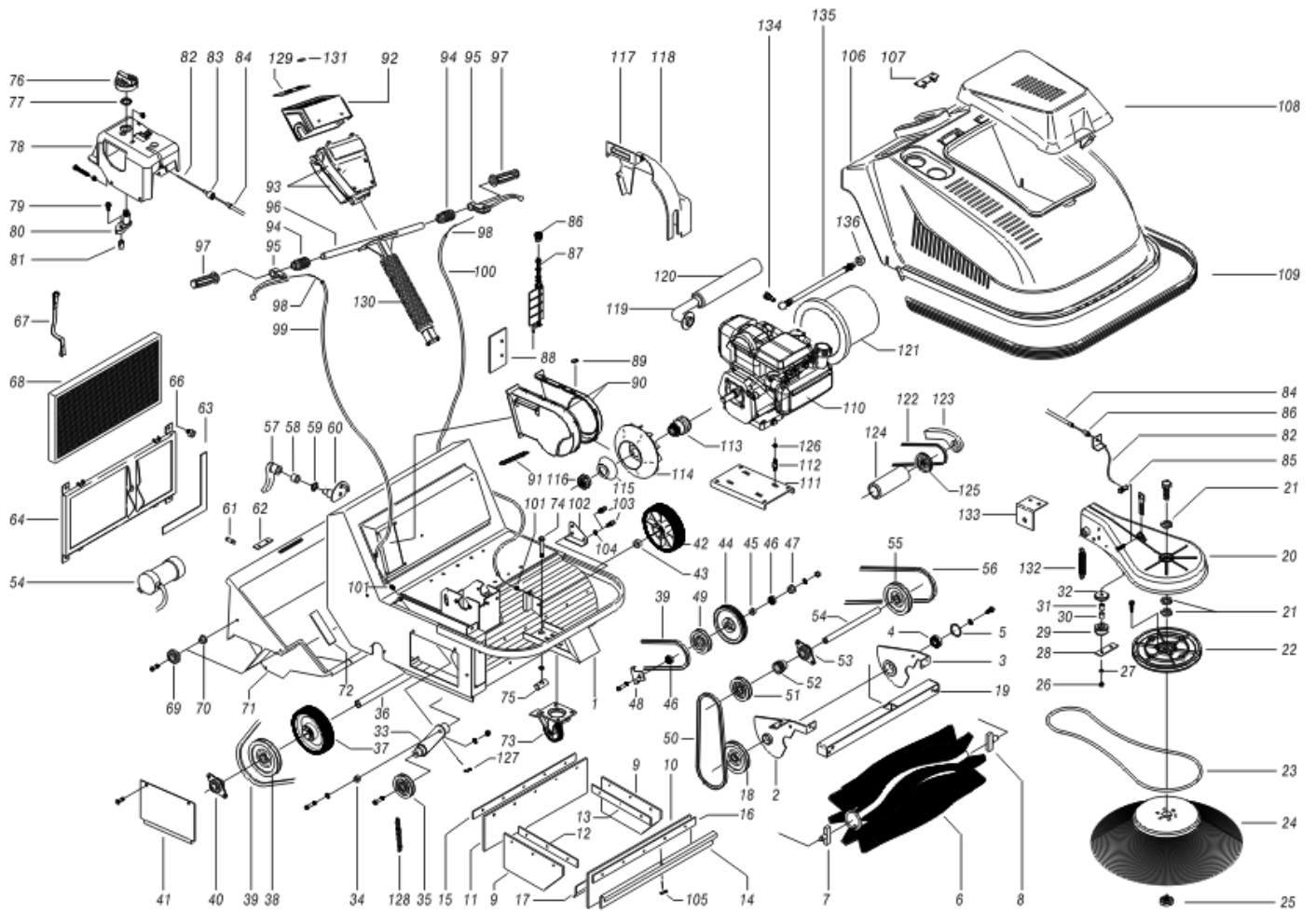
**INTERPUMP FINLAND OY**

**Ref: MSUT00529**

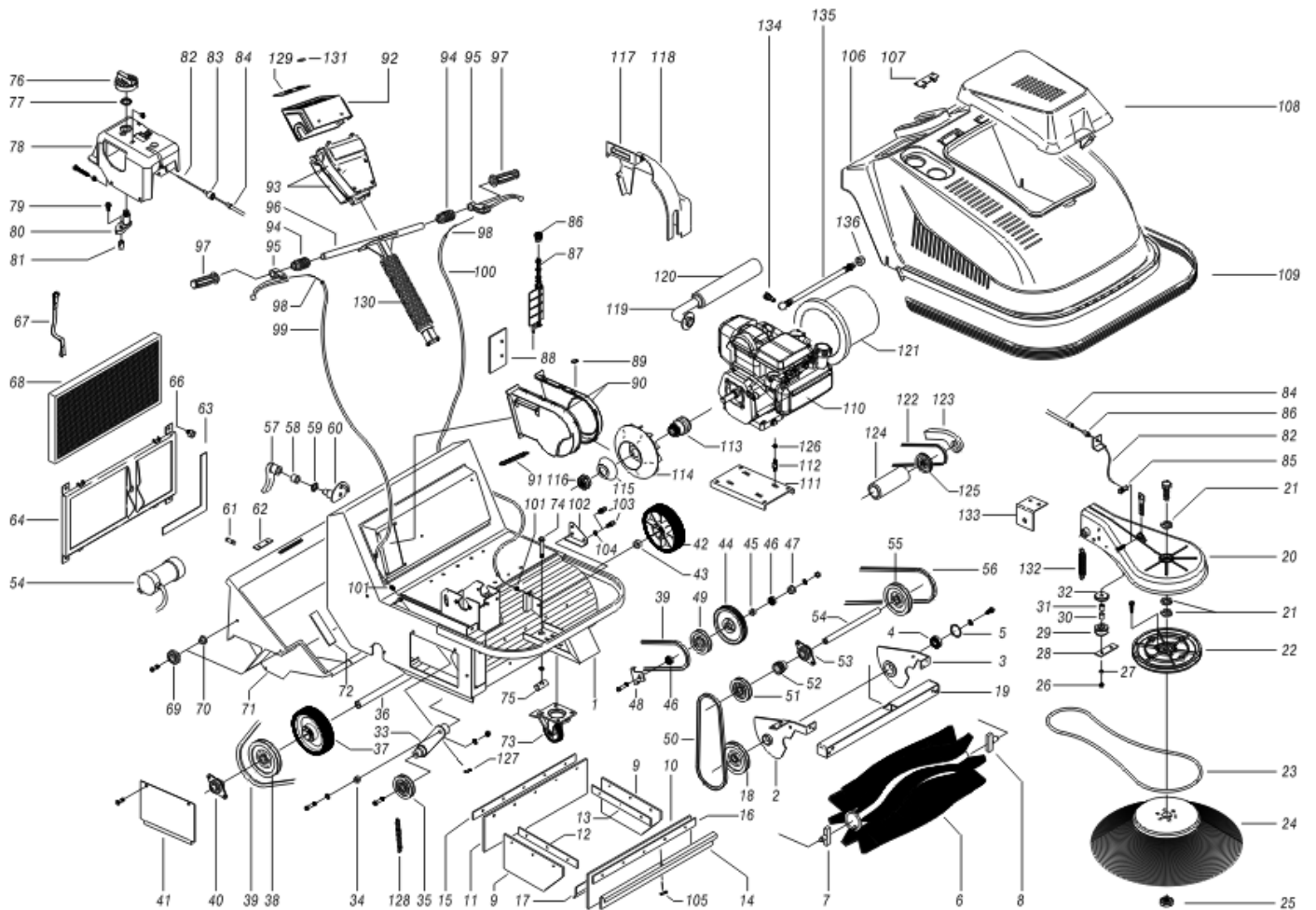
**Model: MOTOSPAZZATRICE LION 600 H      3-01PRT**



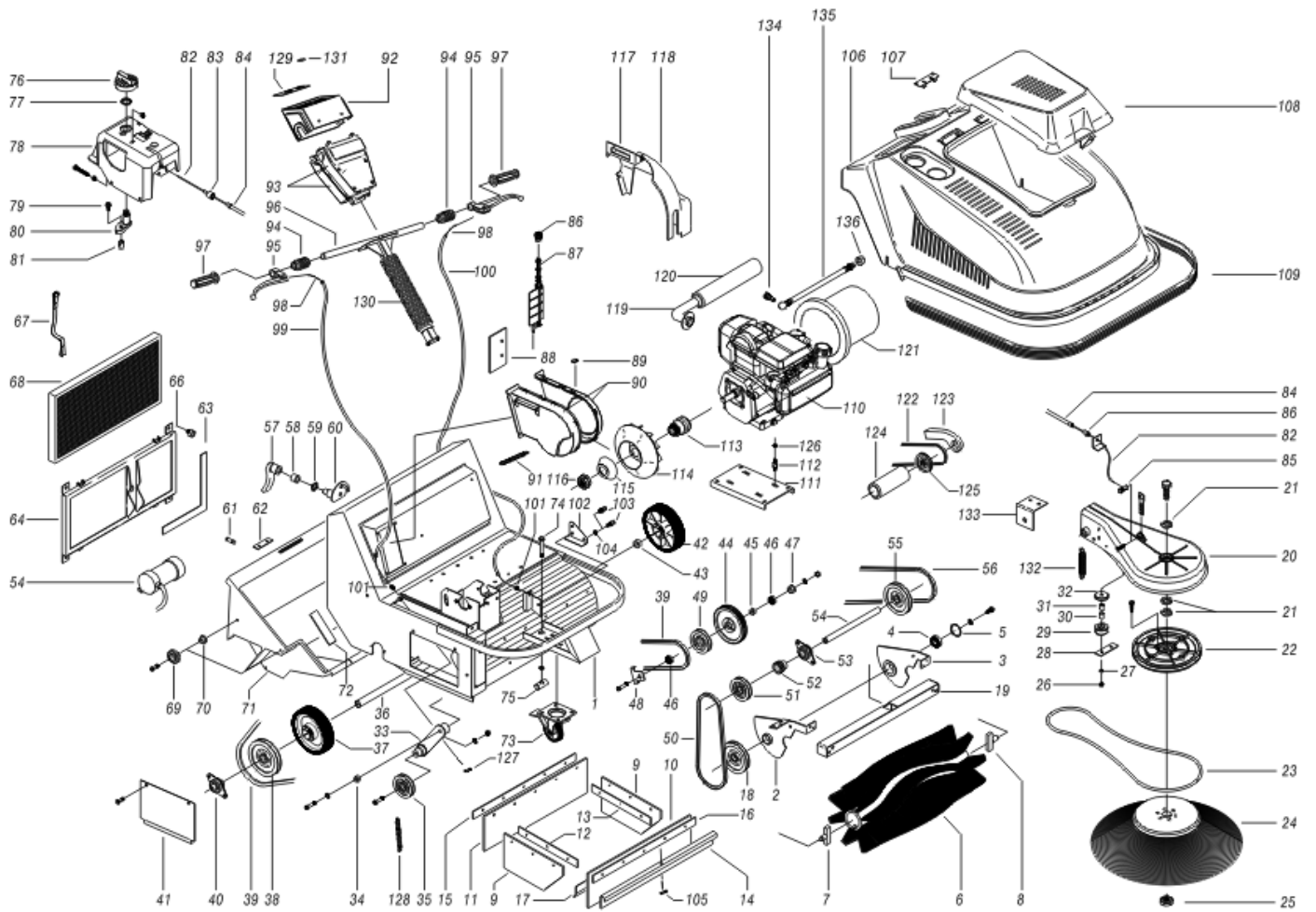
Ref. K	Part N.	Customer Part N.	Description	Qty	Validity:		Price
					From	To	
0001	LAFN88052		BODY LION 8000 3.V	1,00			--
0002	LAFN87979		BRACKET L.8000 DX 3.V	1,00			--
0003	LAFN87977		BRACKET L.8000 SX 3.V	1,00			--
0004	CUVR19847		BALL BEARING 6203 2RS1	1,00			--
0005	VTAE32479		CIRCLIP D. 40 UNI 7437	1,00			--
0006	SPPV35380		CENTRAL BRUSH D.255X600 PPL CUC. 80/60	1,00			--
0007	MPVR37106		DRIVE DISK L.8000 DX XF.N	1,00			--
0008	MPVR37107		DRIVE DISK L.8000 SX XF.N	1,00			--
0009	MPVR34999		RUBBER FLAP L.8000 LT. 2.V	2,00			--
0010	MPVR34997		RUBBER FLAP L.8000 3.V	1,00			--
0011	MPVR34996		RUBBER FLAP L.8000 2.V	1,00			--
0012	LAFN34950		HOSE CLIP L.8000 2.V	1,00			--
0013	LAFN34951		HOSE CLIP L.8000 2.V	1,00			--
0014	LAFN34952		HOSE CLIP L.8000 2.V EST.	1,00			--
0015	LAFN34949		HOSE CLIP L.8000 2.V PST.	1,00			--
0016	LAFN34954		HOSE CLIP L.8000 2.V FLAP	1,00			--
0017	LAFN34953		HOSE CLIP L.8000 3.V INT.	1,00			--
0018	MTPL39044		PULLEY PPS 148-60 GT	1,00			--
0019	LAFN87901		CROSS PIECE L.8000 3.V	1,00			--
0020	MPVR49056		SUPPORT LION 4.V PP	1,00			--
0021	VTRS00506		WASHER D.12 UNI 6592	3,00			--
0022	MTPL39048		PULLEY PA6 174 GT + 6201 2RS	1,00			--
0023	MTCG01634		BELT Z 44	1,00			--
0024	SPPV43237		SIDE-BRUSH D. 380 PPL D.1	1,00			--
0025	VTDD00494		NUT M12 TEF	1,00			--
0026	VTDD04369		NUT M 4 TEF UNI 7473	4,00			--
0027	VTRS00501		WASHER D. 4 0.232 UNI 6592	4,00			--
0028	LAFN87892		SUPPORT BRACKETL.8000 3V. ZC	1,00			--
0029	MTPL48442		PULLEY OT 30 GT	2,00			--
0030	CUVR47815		BUSHING CB 85 1215 P.GLIDE	2,00			--
0031	LAFN47823		BUSHING D. 4.5X12 L=18 INX	2,00			--
0032	LAFN87893		BRACKET L.8000 3V. ZC	1,00			--
0033	MPVR37108		BELT-STRETCHER L.8000 2.V PA N.	1,00			--
0034	LAFN32124		BUSHING L.8000	1,00			--
0035	MTPL31814		PULLEY POM 70 GP + 6201 2RS	1,00			--
0036	LAFN31748		TRACTION AXLE D.20 L.8000	1,00			--
0037	RTRT31915		WHEEL D.180-D.20 LNK180 6D DX	1,00			--
0038	MTPL31750		PULLEY 110-1A	1,00			--
0039	MTCG00358		BELT A 39	1,00			--



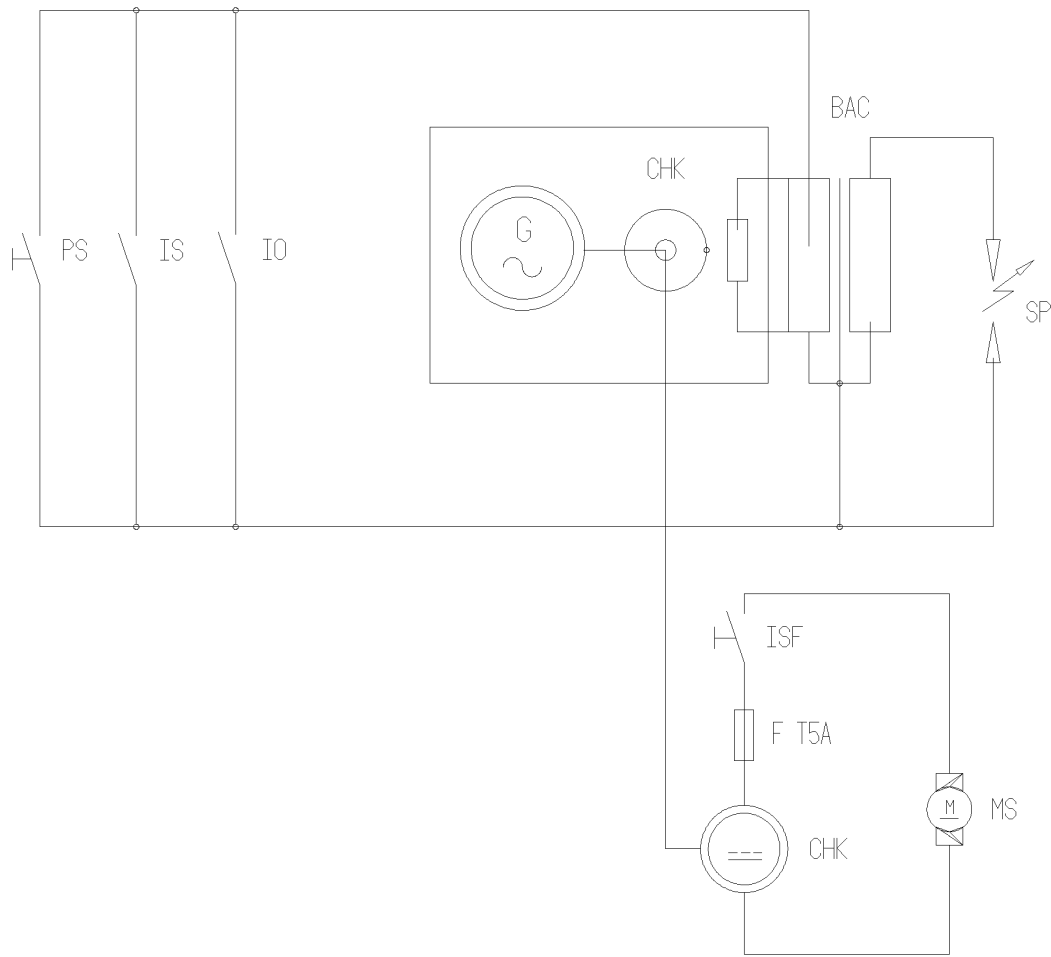
Ref.	K	Part N.	Customer Part N.	Description	Qty	Validity:		Price
						From	To	
0040		CUVR33790		SUPPORT UBPFL 203 L.8000	2,00			--
0041		LAFN88036		DOOR L.8000 LT. 3.V	1,00			--
0042		RTRT31751		WHEEL D.180-D.20 LNK180 6S SX	1,00			--
0043		LAFN32120		SPACER D.1/2X 7 L.8000	1,00			--
0044		MTIG31722		GEAR Z 70 M. 2	1,00			--
0045		LAFN32126		SPACER L.8000	1,00			--
0046		CUVR15159		BALL BEARING 6001-2RS1	2,00			--
0047		LAFN31816		SPACER D. 12-20 L=16	1,00			--
0048		LAFN31806		BRACKET L.8000 INX	1,00			--
0049		MTPL32167		PULLEY 55-1A TR.	1,00			--
0050		MTCG31805		BELT 10X 755	1,00			--
0051		MTPL31804		PULLEY 50 G.T. L.8	1,00			--
0052		MTIG31737		TOOTHED WHEEL Z= 15 M. 2 D. 15	1,00			--
0053		CUVR06196		SUPPORT LEG BPFL 202	2,00			--
0054		LAFN31799		TRACTION AXLE L.8000 D.15 X225	1,00			--
0056		MTCG31772		BELT 10X 640	1,00			--
0057		MPVR34947		HANDLE M12 F L=115 L.8 2.V	1,00			--
0058		MPVR34944		BUSHING D. 20X16X26 NYL	1,00			--
0060		LAFN34961		ECCENTRIC CAM L.8000 2.V	1,00			--
0061		VTVR34921		PLUG 5X45 INX C40 1707	1,00			--
0062		LAFN34924		BRACKET L.8000 2.V	1,00			--
0063		GUGO87863		GASKET L.8000 3V.	1,00			--
0064		LAFN87910		BRACKET L.8000 3V. ZC.	1,00			--
0065		MOCC85140		MOTOR 12V CC	1,00			--
0066		ABGO87861		VIBRATION DAMP.30X30- 2M8X20 -70+5SH NBR	4,00			--
0067		MPVR87862		BELT GM. 20 L= 260 L.8 3V.	2,00			--
0068		FTDP88118		FILTER 590X245X55 70P. POL.	1,00			--
0069		RTRT34920		WHEEL D. 40-D. 7 NYL L.8	4,00			--
0070		LAFN36619		SPACER D. 5-12 L=17 L.8 OT.	4,00			--
0071		MPVR31752		DRAWER L.8000 PP	1,00			--
0072		GUGO00409		JOINT 15X3	1,60			--
0072		GUGO27129		JOINT 10X3	0,55			--
0073		RTRT13708		TURNING WHEEL D.125 P. MZ.PLS	1,00			--
0074		VTVT35293		SCREW TE M 12X120 L.8000	1,00			--
0075		LAFN32114		CONTROL PIN L.8000	1,00			--
0076		MPVR10084		SWITCH KNOB O.K.A.	2,00			--
0077		VTVS12320		WASHER D.16	1,00			--
0078		MPVR88065		SUPPORT BRACKETL.8000 3.V PA 6 S.FT	1,00			--
0079		VTVT10021		SCREW TE 6X15 UNI8110 SW.FRM	1,00			--



Ref. K	Part N.	Customer Part N.	Description	Qty	Validity:		Price
					From	To	
0080	MPVR39042		TRIGGER L.8000 PA	1,00			--
0081	CMCV32233		CLAMP VT10 X 16 M 6	1,00			--
0082	CMCV32216		CORD D.2,5 X 900	1,00			--
0083	CMCV41180		BUSHING D. 9-15 L=30 L.80	1,00			--
0084	CMCV32215		SHEATH VIPLAST 3.5X6 X7 L. 425	1,00			--
0085	CMCV13590		CLAMP VT 8X11 M5 LOLY 700	1,00			--
0086	CMCV28891		BUSHING D. 9.7X15 - D.5F D.3	1,00			--
0087	MPVR32556		BUTTERFLY VALVELION PA	1,00			--
0088	LAFN88067		PLATE L.8 3V. ZC.	1,00			--
0089	VTVR20127		CLIP KSM	6,00			--
0090	MPVR32554		CONVEYOR LION DX PP	1,00			--
0090	MPVR32555		CONVEYOR LION SX PP	1,00			--
0091	MLML34379		SPRING TR T17 D. 8 X45 SP.1	1,00			--
0092	MPVR33114		INSTR.PANEL L.8000 - LAVAM. PP	1,00			--
0093	MPVR33116		HALF BEARING PP 2.V	2,00			--
0094	MPVR31720		PROTECTOR 22 X 44	2,00			--
0095	CMCV33525		LEVER D.22 NYL	2,00			--
0096	LAFN34965		UP STEERING L.8000 2.V	1,00			--
0097	MPVR31584		KNOB D.22	2,00			--
0098	CMCV13173		CABLE D. 1.9 L=1.600	2,00			--
0099	CMCV32214		SHEATH 2,5 X 4,5 X 1070	1,00			--
0100	CMCV40342		SHEATH VIPLAST 2.5X4.5X5.2 L1240	1,00			--
0101	CMCV02396		REGISTER CH. 8X 6MAX30	2,00			--
0102	LAFN34955		LEVER FLAP L.8000 2.V	1,00			--
0103	CMCV34027		BARREL CH.14X17 M5	2,00			--
0104	VTRS36062		WASHER D. 8 CRN	2,00			--
0105	CMCV13590		CLAMP VT 8X11 M5 LOLY 700	1,00			--
0107	MPVR34981		BLACK CAP L.8000 PA6	2,00			--
0108	MPVR34876		RED THROTTLE L. 8000 PP	1,00			--
0109	MPVR33901		BUMPER 43X15 PRT L8 EPDM	1,00			--
0110	MOSC00025		ENGINE MOTOR HONDA GC135 QH-P7-SD 4HP	1,00			--
0111	LAFN34963		MOTOR PLATE L.8000 2.V	1,00			--
0112	ABGO14056		VIBRATION DAMP.25X20- 2M8X18 -60+5SH	4,00			--
0113	MTPL87959		PULLEY L.8000M HONDA 3V.	1,00			--
0114	VEVR32152		IMPELLER 90/1004 L.8000	1,00			--
0115	LAFN32110		CUPEL L.8000	1,00			--
0116	LAFN32103		RING NUT L.8000	1,00			--
0117	MPVR36610		PROTECTION L.8H 3.V ABS PST	1,00			--
0119	LAFN88029		EXHAUST PIPE L.8000 MH 3.V	1,00			--



Ref. K	Part N.	Customer Part N.	Description	Qty	Validity:		Price
					From	To	
0120	LAFN88025		EXTENSION L.8 MH 3V. ZC	1,00			--
0121	MPVR88038		CONVEYOR L.8000 MH 3V. PS	1,00			--
0122	MTCG88058		BELT POLY-V J3 457	1,00			--
0123	LAFN87906		SUPPORT BRACKETL.8000 MH 3V. ZC	1,00			--
0124	MOCC85526		MOTOR 12V	1,00			--
0125	MTPL87478		PULLEY POLY TK	1,00			--
0126	LAFN32247		SPACER D. 8.5-30 L= 7 HONDA	4,00			--
0127	CMCV13590		CLAMP VT 8X11 M5 LOLY 700	1,00			--
0128	MLML39961		SPRING TR D. 10.3 X46 F.1.5	1,00			--
0129	ETET35818		LABEL L. 8000 M 2.V	1,00			--
0130	MPVR31719		PROTECTOR 55 - 50 x 215	1,00			--
0131	MEVR35992		PROTECTION PVC SLX	1,00			--
0132	MLML12055		SPRING TR144 D. 12 X41 F.1.5	1,00			--
0133	LAFN87985		BRACKET L.8000 3V.	1,00			--
0134	RCVR00714		CONNECTOR M12X1,5	1,00			--
0135	TBBP00384		TUBE SCARICO OLIO	1,00			--
0136	RCVR00585		CAP 3/8"	1,00			--



Ref. K	Part N.	Customer Part N.	Description	Qty	Validity:		Price
					From	To	
000F	MEVR02825		FUSE 5X20 5A	1,00			--
00IS	MECI32451		SWITCH MTA	1,00			--
00PS	MECI35728		SWITCH SLX BIP. 10A 250V NE.	1,00			--
0ISF	MECI33679		SWITCH XP52	1,00			--