

*Cleaning
Equipment*



portotecnica

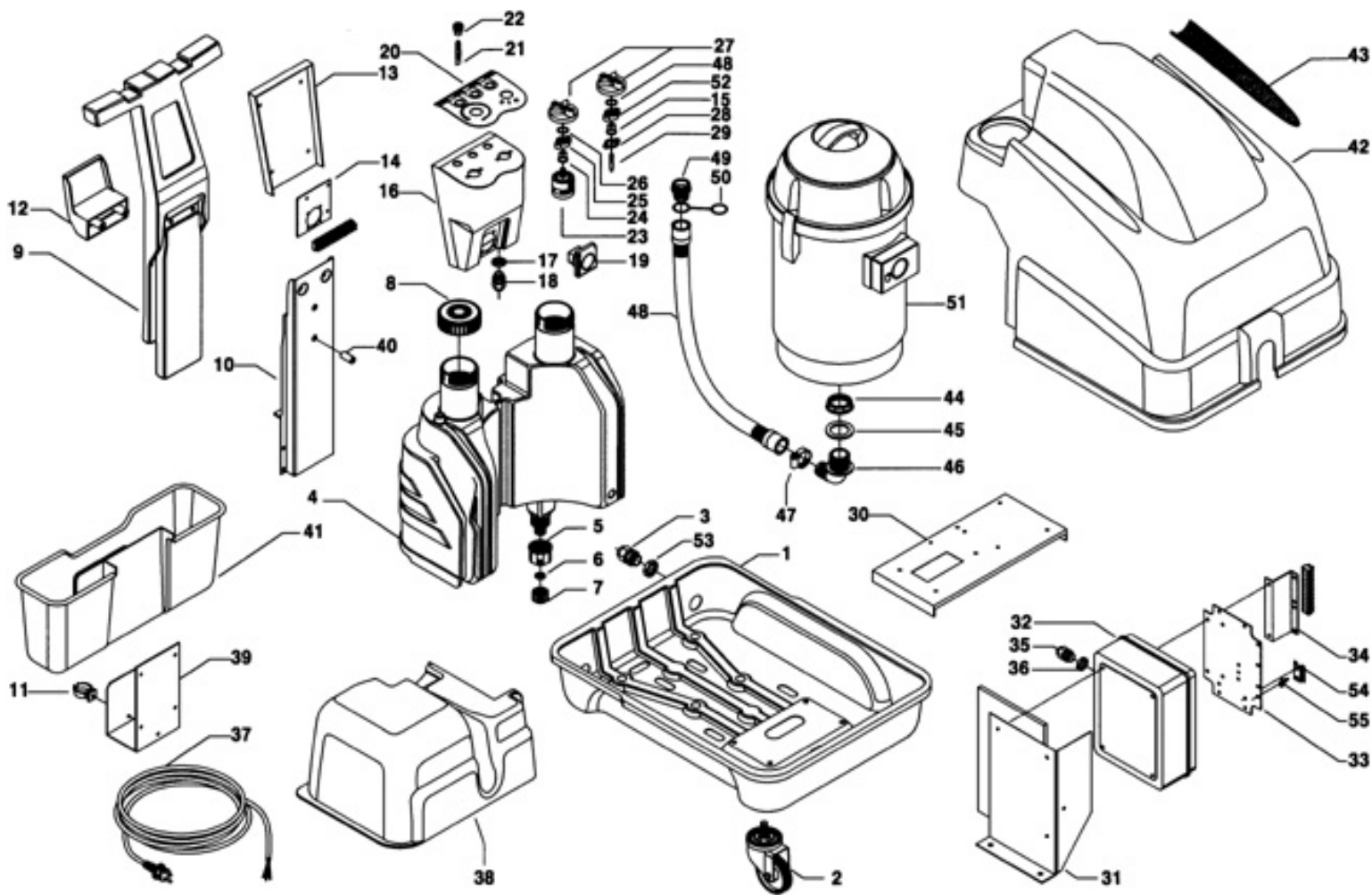
www.portotecnica.com

Spare Parts List

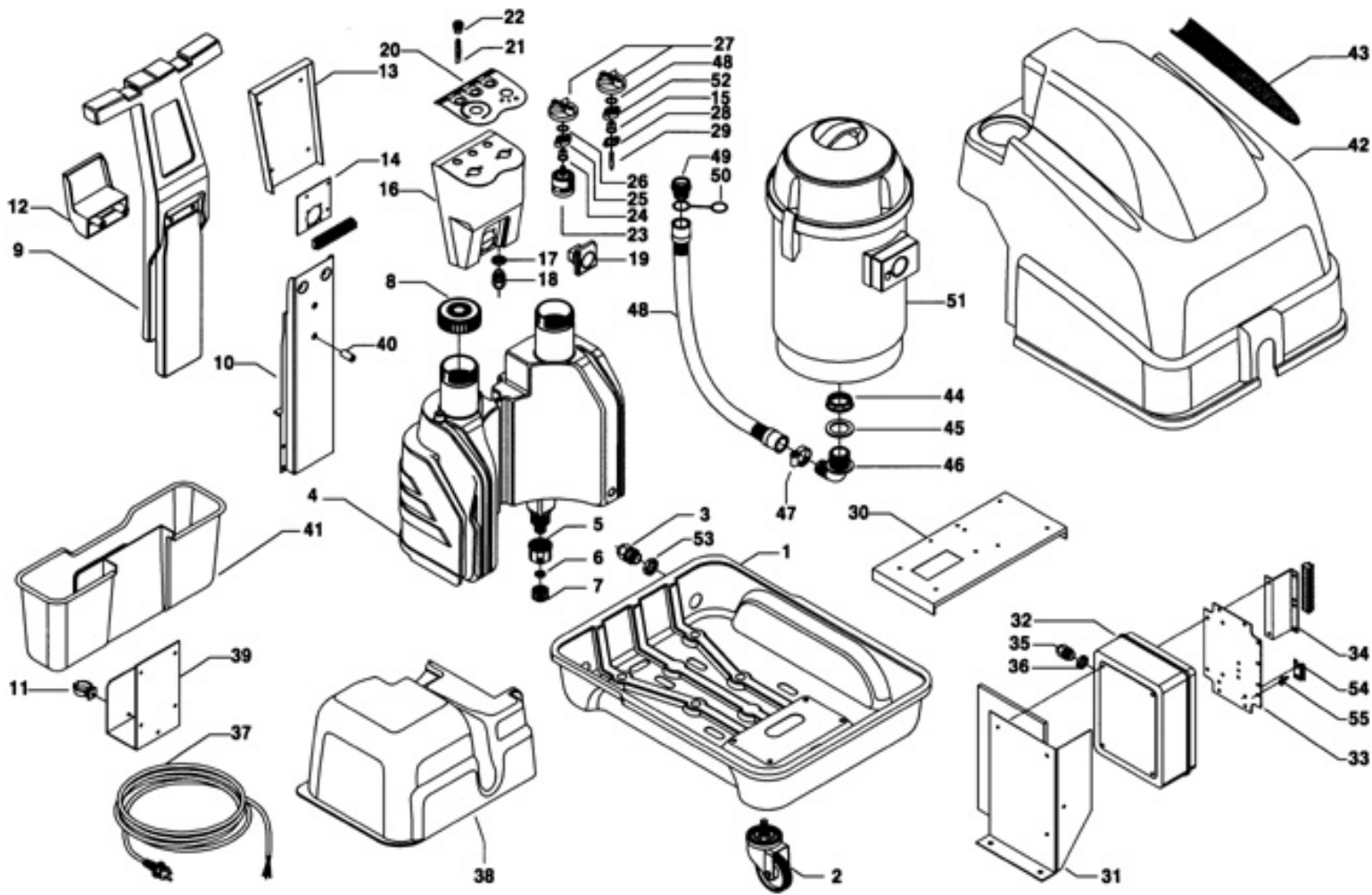
INTERPUMP FINLAND OY

Ref: GNVA43674

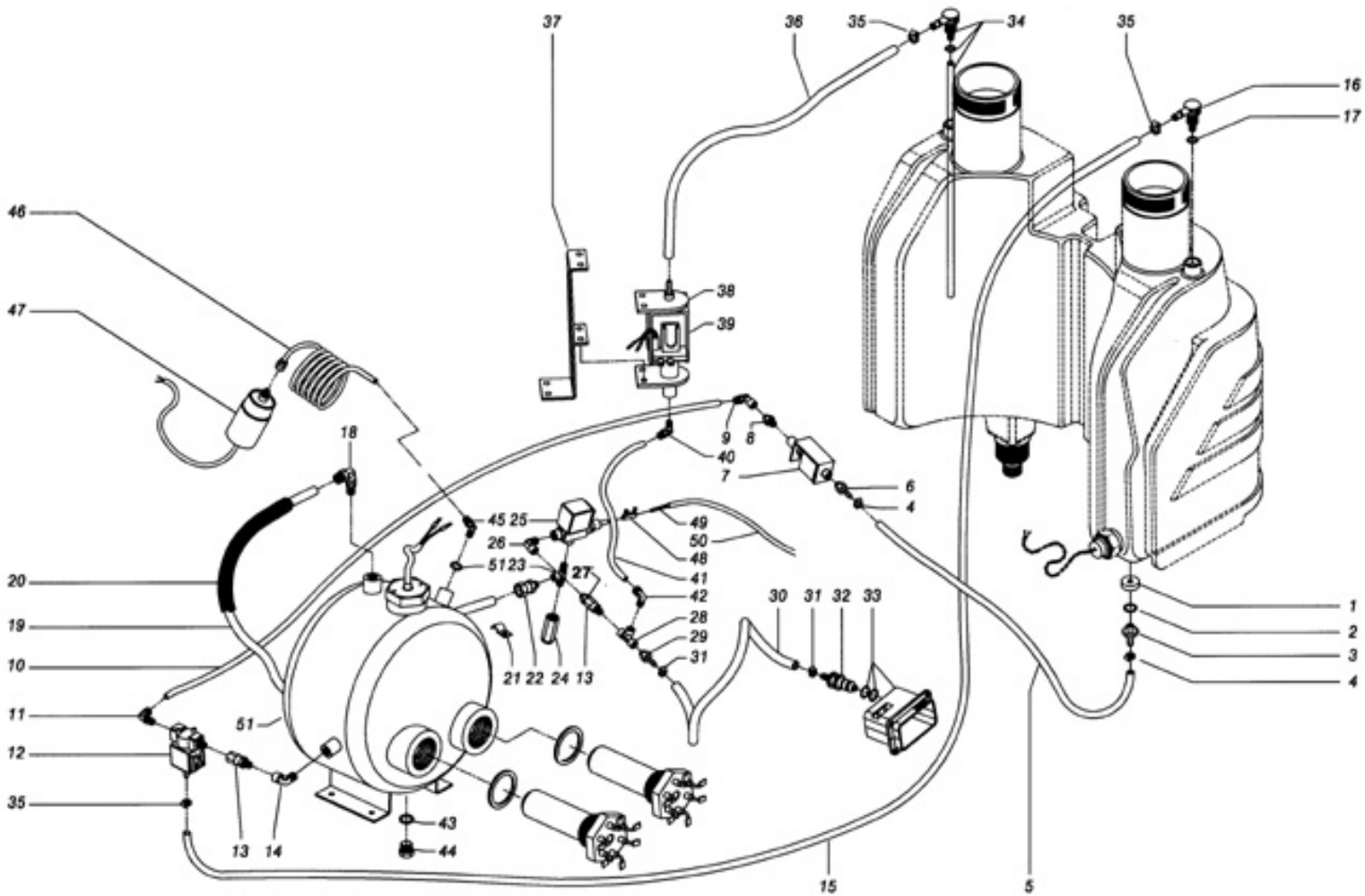
Model: GENER.VAP. STEAMER 7140 T 400/50 4-01PRT



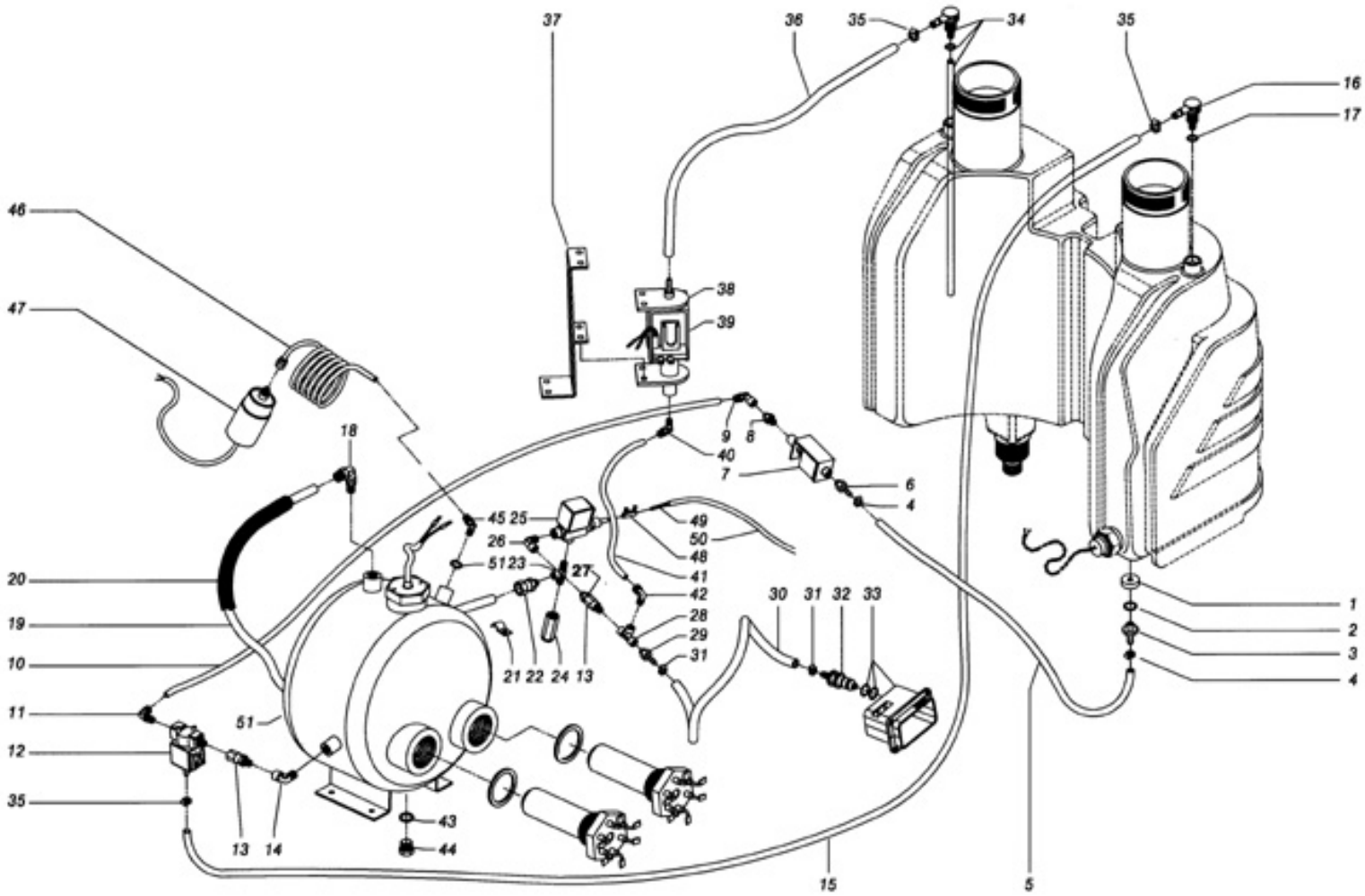
Ref.	K	Part N.	Customer Part N.	Description	Qty	Validity:		Price
						From	To	
0001		LAFN40981		CHASSIS STEAMER JET	1,00			--
0002		RTRT41104		TURNING WHEEL D. 75 - P.M10X17 A.T.	4,00			--
0003		MEVR33994		CABLE FASTNER 4228 B D. 6- 18	1,00	10/2000		--
0004		MPVR43814		WATER TANK ST.7140 PEHD	1,00	10/2000		--
0005		MPVR20187		RING NUT M 39 X 3	2,00	10/2000		--
0006		GUGO11489		GASKET D.22X1,5	2,00	10/2000		--
0007		PVVR11806		DISCHARGE CAP FLL	2,00	10/2000		--
0008		MPVR20418		TANK CAP KSM	2,00	10/2000		--
0009		LAFN22115		SPACER 14X27 D.8 KSM	1,00			--
0010		LAFN19954		SUPPORT KSM	1,00			--
0011		MPVR20104		HANDLE KOSMIC J.	1,00			--
0012		LAFN20105		HOSE SUPPORT KSM	1,00			--
0013		LAFN41227		BRACKET STEAM.JT.	1,00			--
0014		LAFN41225		JUNCTION BOARD STEAM.JT.CRS	1,00	11/2000		--
0015		MPVR43739		TAIL PIECE ST.7140	1,00	11/2000		--
0016		MPVR40359		INSTR.PANEL STEAMER JT.PS	1,00	11/2000		--
0017		MEVR01920		LOCKNUT D. 16	2,00	11/2000		--
0018		MEVR01915		FAIR-LEAD D.16 SC	2,00	11/2000		--
0019		MEVR40638		SOCKET SCHUKO 2P+T 10/16A IP44	1,00	11/2000		--
0020		ETET41130		LABEL STM PLC	1,00	11/2000		--
0021		MELF40939		LAMP NEON 230V T120° SLX21.3	3,00	11/2000		--
0022		MELF40937		LAMP SOCKET D.12 ORAN. SLX51	2,00	11/2000		--
0022		MELF40938		LAMP SOCKET D.12 GREE. SLX51	1,00	11/2000		--
0023		MECI40544		COMMUTAT.SWITCHO-1-2 HD12H022-R000	1,00	11/2000		--
0024		MPVR23482		TAIL PIECE TEC. TUV	1,00	11/2000		--
0025		MPVR23487		THICKNESS THERM. - INT. TUV	1,00	11/2000		--
0026		GUGO25527		O-RING D. 14 X 3 NBR 70SH	1,00	11/2000		--
0027		MPVR20190		GREY KNOB KSM	2,00	11/2000		--
0028		MPVR41903		THICKNESS TERM.IM.PA66	1,00			--
0029		LAFN41229		CONTROL PIN STEAM.JT. OT	1,00	11/2000		--
0030		LAFN43554		PLATE STEAM.JT.7140T	1,00			--
0031		LAFN43562		SUPPORT STEAM.JT.7140T	1,00	11/2000		--
0032		MEVR43751		BOX GEW. S.44CE IP56 ST.7140	1,00	11/2000		--
0033		LAFN43774		PLATE ST.7140	1,00	11/2000		--
0034		LAFN43770		JUNCTION BOARD ST.7140	1,00	11/2000		--
0035		MEVR04376		FAIR-LEAD D. 9 SC	10,00	11/2000		--
0036		MEVR04375		LOCKNUT D. 9	10,00	11/2000		--
0037		MECB27970		CABLE H07 RNF 5X2.5 L=6.500	1,00	11/2000		--
0038		MPVR43616		COVER ST.7140 PS	1,00	10/2000		--



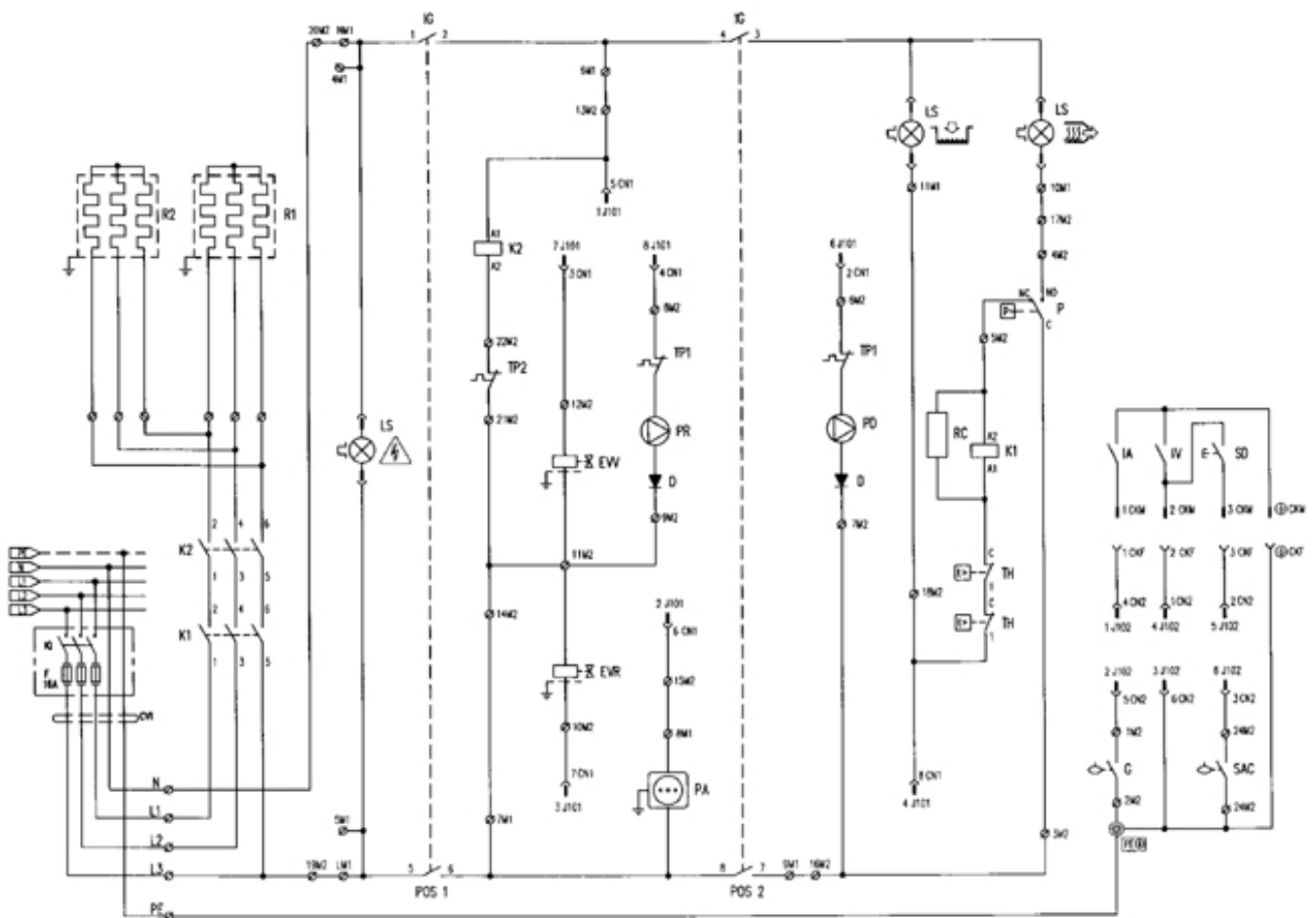
Ref. K	Part N.	Customer Part N.	Description	Qty	Validity:		Price
					From	To	
0039	LAFN41274		SUPPORT STEAM.JT.	1,00			--
0040	FSVR41221		CLAMP D. 34 LR	1,00			--
0041	MPVR41256		SUPPORT STEAM.JT.	1,00			--
0042	MPVR40501		RED COVER STEAMER JT. PS	1,00			--
0043	MPVR41409		RUBBER STEAM.JT.	2,00	04/1999		--
0044	MPVR41218		RING NUT 1"1/4 PLS	1,00			--
0045	GUGO41219		GASKET MIR. P.	1,00			--
0046	RCVR41224		HOSE FITTING 90° 1"1/4 PLS	1,00			--
0047	FSVR18052		CLAMP D.32-44	1,00	10/1999		--
0048	TBFX41220		TUBE FLEX D.34 0.6MT. CPL.	1,00			--
0049	MPVR41223		CAP D. 40X35 PLS	1,00			--
0050	MPVR41222		TIE ROD MIR.	1,00			--
0051	ASDO41124		VACUUM CLEANER MIR. 315 230/240-5/60	1,00			--



Ref.	K	Part N.	Customer Part N.	Description	Qty	Validity: From	To	Price
0001		RCDS43592		RING NUT G 3/8 ST.7140 OT	1,00	10/2000		--
0002		GUGO12183		O-RING D. 23.4 X 3.53 VIT 70SH	1,00	10/2000		--
0003		RCDS43593		HOSE FITTING G 3/8M D.13/15 ST.7140 OT	1,00	10/2000		--
0004		FSVR00428		CLAMP D. 12-20	1,00	05/2001		--
0005		TBBP07631		L.P. HOSE D.10-14	0,45	10/2000		--
0007		PEL43604		PUMP BY-P.230V ET3000 2-3/8"F	1,00			--
0008		RCVR43607		NIPPLE 1/8 - 3/8 A2 CN	1,00			--
0009		RCIN29332		CONNECTOR L 1/8"F C5 D. 6/ 8 NIK	1,00			--
0010		TBBP41919		L.P. HOSE D. 6- 8 TEFLON	0,77	10/2000		--
0011		RCVR26497		CONNECTOR L 1/8"M C5 D. 6/ 8 NIK	1,00			--
0012		MEEV43661		SOLENOID VALVE OLB 3V.1/8M/F+PG.7 D.2.8	1,00			--
0013		VVSF43855		VALVE 1/8M-F OT. VIT. 250°C PRT	2,00			--
0014		RCVR34780		ELBOW 1/8" M/F A10	1,00			--
0015		TBBP00051		DETERGENT HOSE D. 6-12	1,35	10/2000		--
0016		RCDS20137		SUCTION BODY KSM	1,00			--
0017		GUGO21638		O-RING D. 7.60 X 2.62 NBR 70SH	1,00			--
0018		RCVR43608		BI-CONE CONNEC.L 1/4"M B5 D.8/10 NIK	1,00			--
0019		LAFN43740		TUBE D.10 ST.7140	1,00	09/2000		--
0020		ITTE43600		PROTECTION D.12 FIBER GL.	0,50			--
0021		MEVR00253		CLIP D. 9	1,00			--
0022		RCVR43609		BI-CONE CONNEC.DTT 1/4"M B1 D.8/10 NIC	1,00			--
0023		RCVR26495		CONNECTOR T 1/4 M/F/M A17	1,00			--
0024		VVSC43613		VALVE G1/4"F-M 7 BAR VIT.	1,00			--
0025		MEEV43614		SOLENOID VALVE OLB 2V.1/4F 90°-RG. 250°C	1,00			--
0026		RCVR00573		ELBOW 1/4" M/F A10	1,00			--
0027		RCVR03535		NIPPLE 1/4 - 1/8 CN	1,00			--
0028		RCVR29339		CONNECTOR T 1/8 F/F/F A11 NIK	1,00			--
0029		RCDS21900		HOSE FITTING 1/8 M D. 3- 7	1,00			--
0030		TBCO15363		L.P. HOSE 5-12.4 MAN. 170° TR.BLU	0,35	10/2000		--
0031		FSVR11197		CLAMP D.I. 11 13315	2,00			--
0033		MPVR43813		SOCKET STM. +UG.D.6	1,00	09/2001		--
0034		RCDS20136		SUCTION L= 355 C.	1,00			--
0035		FSVR00427		CLAMP D. 12 CLIC 66-110	1,00	11/2000		--
0037		LAFN43558		SUPPORT STEAM.JT.7140T	1,00			--
0038		MPVR41927		SUPPORT BT500/8 A.TE	2,00			--
0039		PEL41926		PUMP BY-P.230V ET500 P-1/8"F	1,00			--
0040		RCVR14044		CONNECTOR L 1/8"M C5 D. 6/ 4 NIK	1,00			--
0041		TBBP43611		L.P. HOSE D. 4- 6 TEFLON	0,25	10/2000		--
0043		VTRS00549		WASHER D.21,5X27X1.5 (1/2) RM	1,00			--



Ref. K	Part N.	Customer Part N.	Description	Qty	Validity:		Price
					From	To	
0044	RCDS01091		CAP 1/2X10 M	1,00			--
0045	RCVR08954		ELBOW 1/8"-4 B5	1,00			--
0046	LAFN43606		CIL. COIL 5 SP D.4 G 1/8	1,00			--
0047	MEPF43605		PRESSURE SWITCH1/8M PN-5611/VAP 5B. CP	1,00			--
0048	CMCV43738		CLAMP D. 4 OT	1,00	12/2000		--
0049	CMCV43617		CORD D. 4.0 MT	0,92	10/2000		--
0050	TBBP15347		L.P. HOSE D. 6- 8 RILSAN NT.	0,88	10/2000		--
0051	CDVE43856		BOILER 7.2 ST.7140	1,00			--



Ref.	K	Part N.	Customer Part N.	Description	Qty	Validity:		Price
						From	To	
D		MECB43650		CABLE N°282 SG 2X1 L= 140	1,00	11/2000		--
G		MECI40941		SENSOR LEVEL S1.PML.M16	1,00	11/2000		--
K		METT42873		CONTACTOR SIE 3RT 1017 1AN21 220V	2,00	11/2000		--
P		MEPF43605		PRESSURE SWITCH1/8M PN-5611/VAP 5B. CP	1,00			--
R		MEVR41827		RESISTANCE 43 OHM 3.6KW T 230/400V	2,00			--
EC		MECE41928		PCB STEAM.JT. MICVAP-0 IPC	1,00	11/2000		--
IG		MECI40544		COMMUTAT.SWITCH0-1-2 HD12H022-R000	1,00			--
LS		MELF40939		LAMP NEON 230V T120° SLX21.3	3,00			--
PA		MELF40939		LAMP NEON 230V T120° SLX21.3	3,00			--
PD		PPEL41926		PUMP BY-P.230V ET500 P-1/8"F	1,00			--
PR		PPEL43604		PUMP BY-P.230V ET3000 2-3/8"F	1,00			--
RC		MECE43563		RESISTANCE RC 0.47MF X2 100OHM 250V	1,00	11/2000		--
TH		METK40992		THERMOSTAT 205°C TR2 15(2.5)A 250V	2,00	11/2000		--
CV1		MECB27970		CABLE H07 RNF 5X2.5 L=6.500	1,00			--
EVR		MEEV43661		SOLENOID VALVE OLB 3V.1/8M/F+PG.7 D.2.8	1,00			--
EVV		MEEV43614		SOLENOID VALVE OLB 2V.1/4F 90°-RG. 250°C	1,00			--
SAC		MECI43618		SWITCH REED G1"M 180°C L= 100	1,00			--
TP1		METK43603		KLIKSON UP62 110°C	1,00			--
TP2		METK43620		THERMOSTAT 250°C RIP. NC CER.16A 250	1,00			--