



**IPC Integrated Professional Cleaning**

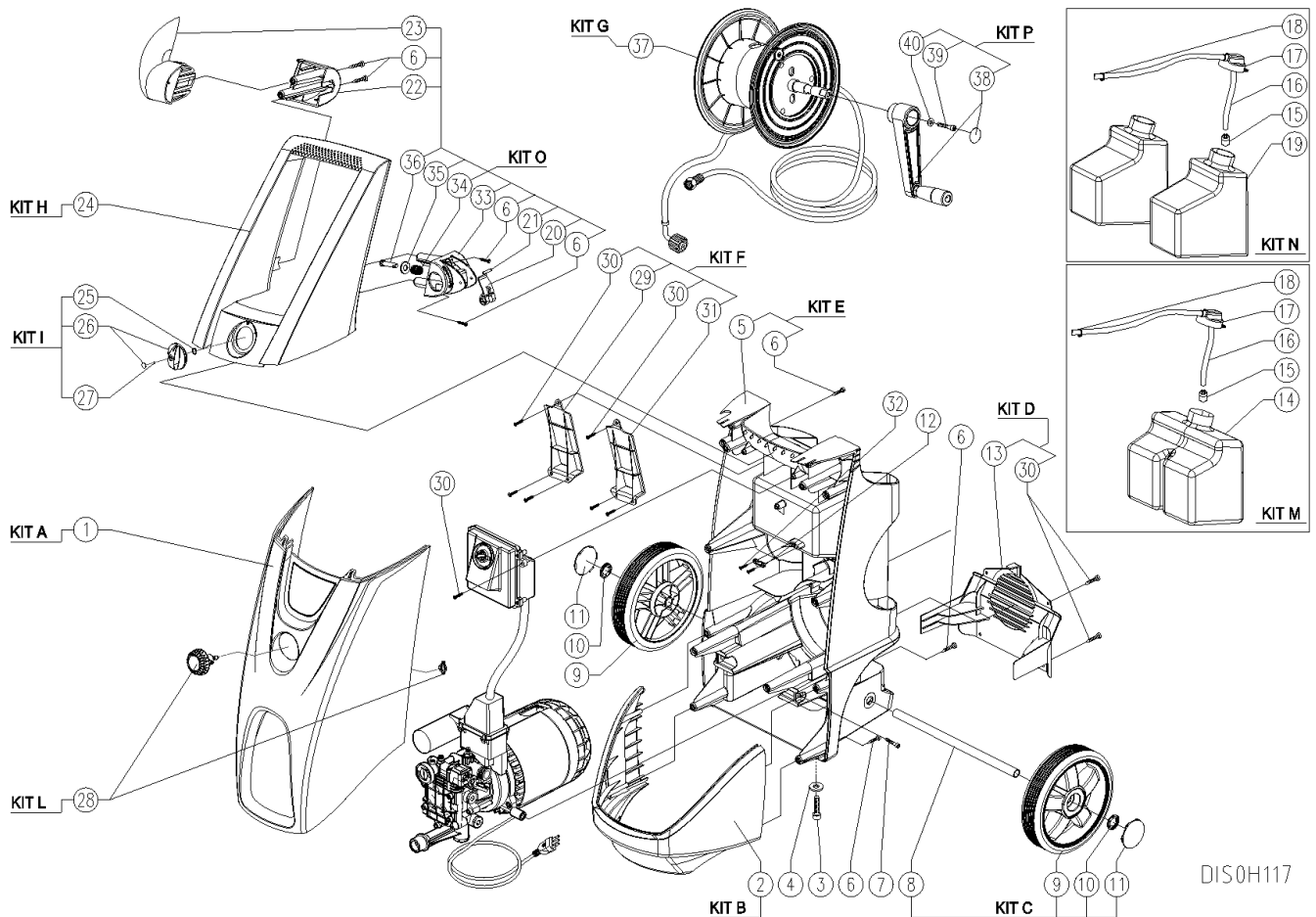
**IPC Portotecnica**

## Spare Parts List

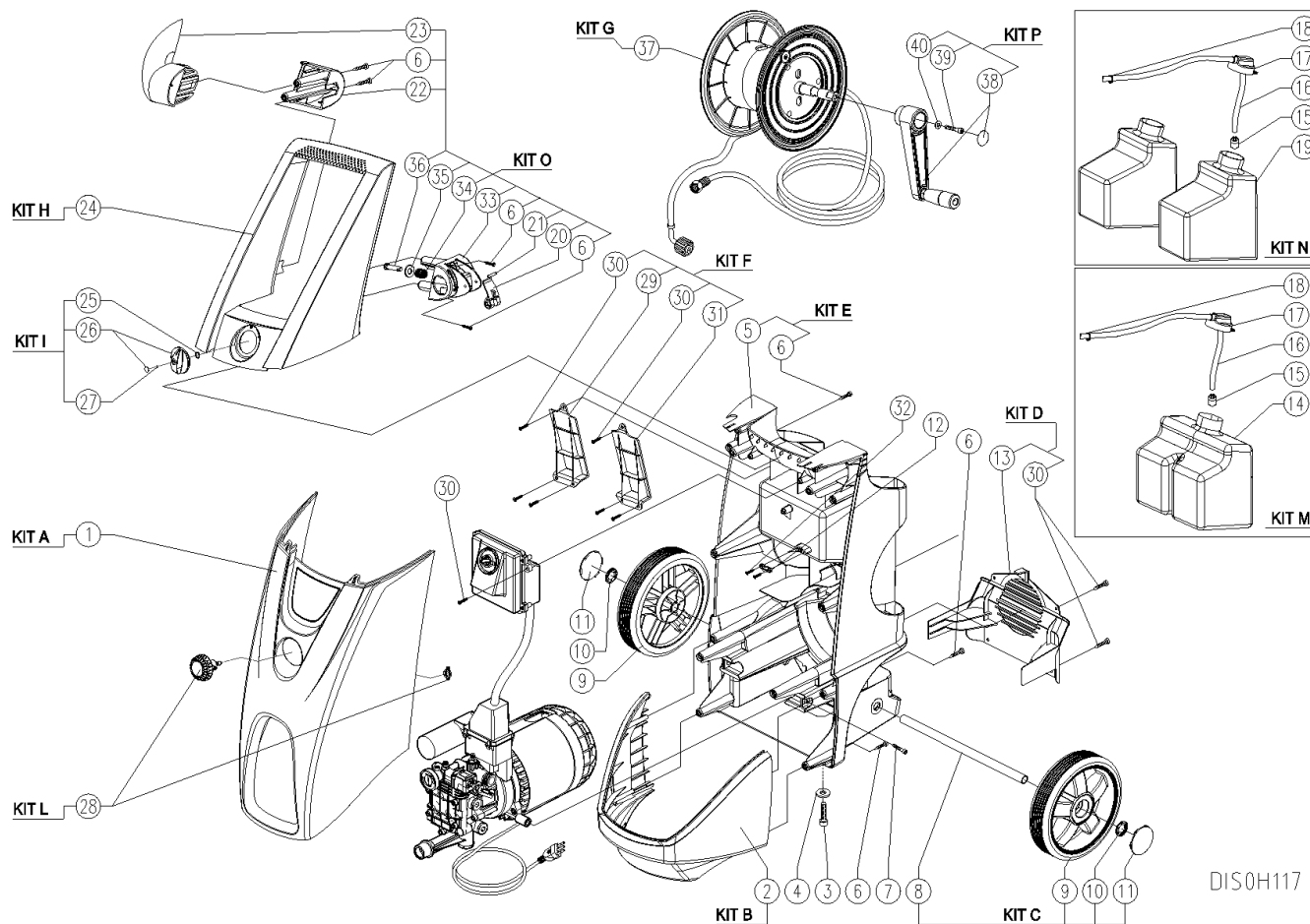
IPF ENGINEERING LTD

Ref: IDAF92063

Model: IDROP G160X OT 2T DS M 230/50 3-01PRT

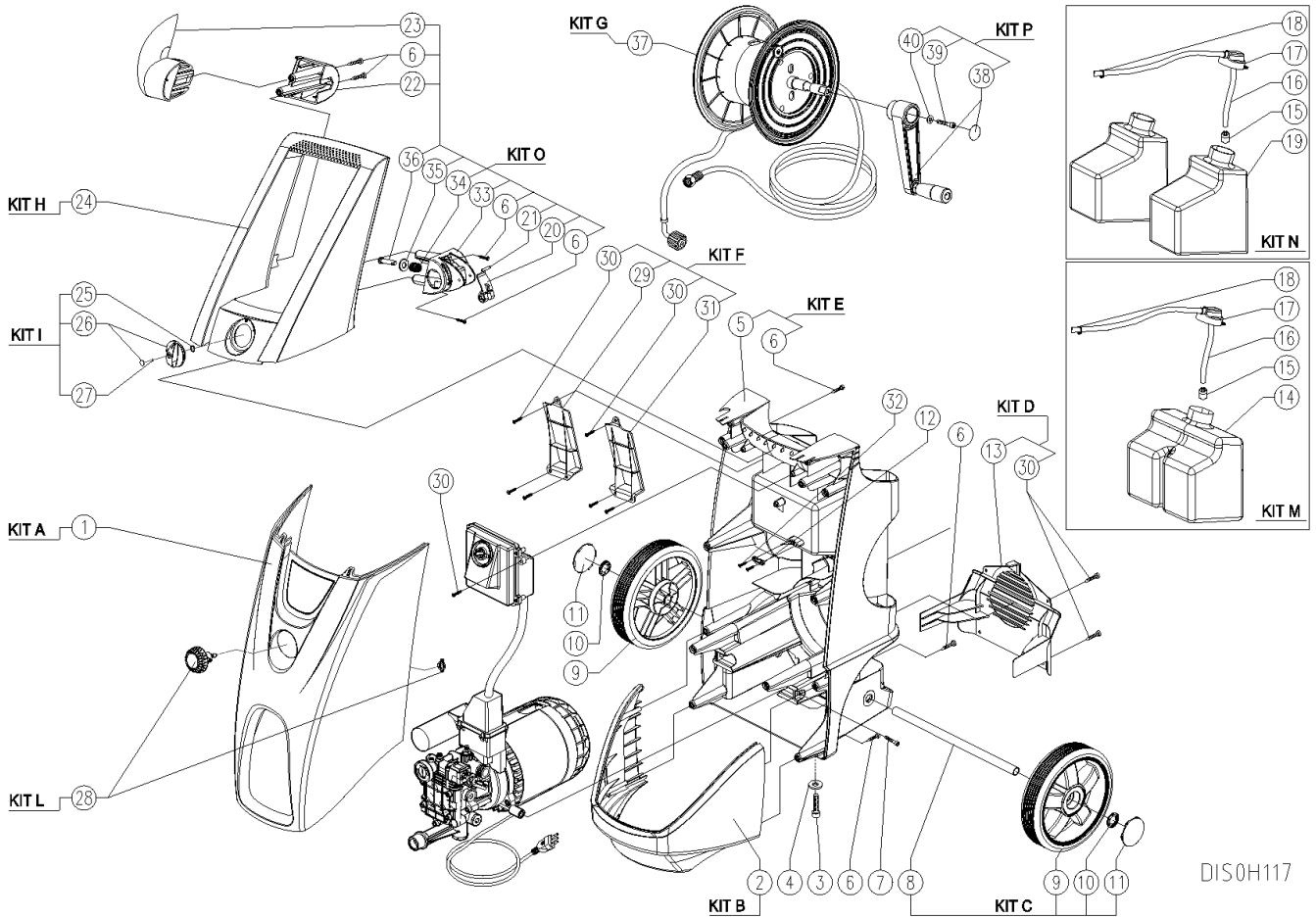


| Ref. | K | Part N.   | Customer Part N. | Description                      | Qty   | Validity: |         | Price |
|------|---|-----------|------------------|----------------------------------|-------|-----------|---------|-------|
|      |   |           |                  |                                  |       | From      | To      |       |
| 0001 | E | MPVR92126 |                  | RED COVER "SERIE G" IPC          | 1,00  |           |         | --    |
| 0002 | E | MPVR92120 |                  | BAND ANT. "SERIE G"              | 1,00  |           |         | --    |
| 0003 | E | VTVT90541 |                  | SCREW TCEI M 6X20 ATF TRIL.      | 1,00  |           |         | --    |
| 0004 | E | VTRS63242 |                  | WASHER D. 6 X24 ZC               | 1,00  |           |         | --    |
| 0005 | E | MPVR92122 |                  | FRAME "SERIE G"                  | 1,00  |           |         | --    |
| 0006 | E | VTVT80745 |                  | SCREW TCB-TC 5 X25               | 18,00 |           |         | --    |
| 0007 | E | VTVT01573 |                  | SCREW TCEI 8X25 UNI5931          | 2,00  |           |         | --    |
| 0008 | E | LAFN92146 |                  | WHEELS AXLE G LINE. AC ZC.       | 1,00  |           |         | --    |
| 0009 | E | RTRT91967 |                  | WHEEL D.200 "SERIE G" GRIGIA     | 2,00  |           |         | --    |
| 0010 | E | VTRS60945 |                  | WASHER D.15                      | 2,00  |           |         | --    |
| 0011 | E | MPVR91970 |                  | GREY HUB CAP "SERIE G"           | 2,00  |           |         | --    |
| 0012 | E | MPVR60495 |                  | CLAMP HOBBY                      | 1,00  |           |         | --    |
| 0013 | E | MPVR92355 |                  | BAND POST. "SERIE G"             | 1,00  |           |         | --    |
| 0015 | E | MPVR60422 |                  | SUCTION FILTER DETERG.HOBBY 90   | 1,00  |           |         | --    |
| 0016 | E | TBBP04917 |                  | L.P. HOSE D. 6- 9                | 0,90  |           |         | --    |
| 0017 | E | MPVR91923 |                  | TANK CAP "G160"                  | 2,00  |           |         | --    |
| 0018 | E | FSVR72803 |                  | CLAMP D 9.3 - 9.9                | 2,00  |           |         | --    |
| 0019 | E | MPVR92131 |                  | DETERGENT TANK "SERIE G" LT 1,5  | 2,00  |           |         | --    |
| 0020 | E | MPVR92108 |                  | ECCENTRIC CAM AVTB "G"           | 1,00  |           |         | --    |
| 0021 | E | VTVR92465 |                  | PLUG D. 4X20 UNI 1707 INX        | 1,00  |           |         | --    |
| 0022 | E | MPVR92112 |                  | HOSE WIND.SUPP."SERIE G" DX      | 1,00  |           |         | --    |
| 0023 | E | MPVR92116 |                  | HOOK "SERIE G" DX                | 1,00  |           |         | --    |
| 0024 | E | MPVR92477 |                  | HANDLE "SERIE G"                 | 1,00  |           |         | --    |
| 0025 | E | GUGO01060 |                  | O-RING D. 9.92 X 2.62 NBR 70SH   | 1,00  |           |         | --    |
| 0026 | E | MPVR91917 |                  | SWITCH KNOB SERIE "G"            | 1,00  |           |         | --    |
| 0027 | E | VTVT92473 |                  | SCREW TCB-TC 2,5X12 ZINC         | 1,00  |           | 01/2011 | --    |
| 0027 | E | VTVT93828 |                  | SCREW M2,5x8 TSP-CR UNI8113TT    | 1,00  | 01/2011   |         | --    |
| 0028 | E | RCDG93688 |                  | TAP "G" TAMP. 1T                 | 1,00  |           |         | --    |
| 0029 | E | MPVR93244 |                  | PLATE TELAIO "SERIE G" DX        | 1,00  |           |         | --    |
| 0030 | E | VTVT67350 |                  | SCREW TCB TC 5X20 Z.N. UNI9707   | 13,00 |           |         | --    |
| 0031 | E | MPVR93245 |                  | PLATE TELAIO "SERIE G" SX        | 1,00  |           |         | --    |
| 0032 | E | VTVT62978 |                  | SCREW TCB TC 4,8X16 ZC           | 2,00  |           |         | --    |
| 0033 | E | MPVR92118 |                  | HOSE WIND.SUPP."SERIE G" SX      | 1,00  |           |         | --    |
| 0034 | E | MLML92466 |                  | SPRING SPINTA CAMMA BLOC. "G"    | 1,00  |           |         | --    |
| 0035 | E | LAFN40163 |                  | SPACER B.PASS 12                 | 1,00  |           |         | --    |
| 0036 | E | RCDS92467 |                  | PIN AVVOLGITUBO H120             | 1,00  |           |         | --    |
| 0037 | E | AVTB91873 |                  | HOSE REEL ASS. "G160"            | 1,00  |           | 06/2007 | --    |
| 0037 | E | AVTB93807 |                  | HOSE REEL ASS. "G160" AP+GM 12   | 1,00  | 01/2007   |         | --    |
| 0038 | E | MPVR92147 |                  | HANDLE AVV/TUB"SERIE F"138-60 M8 | 1,00  |           |         | --    |



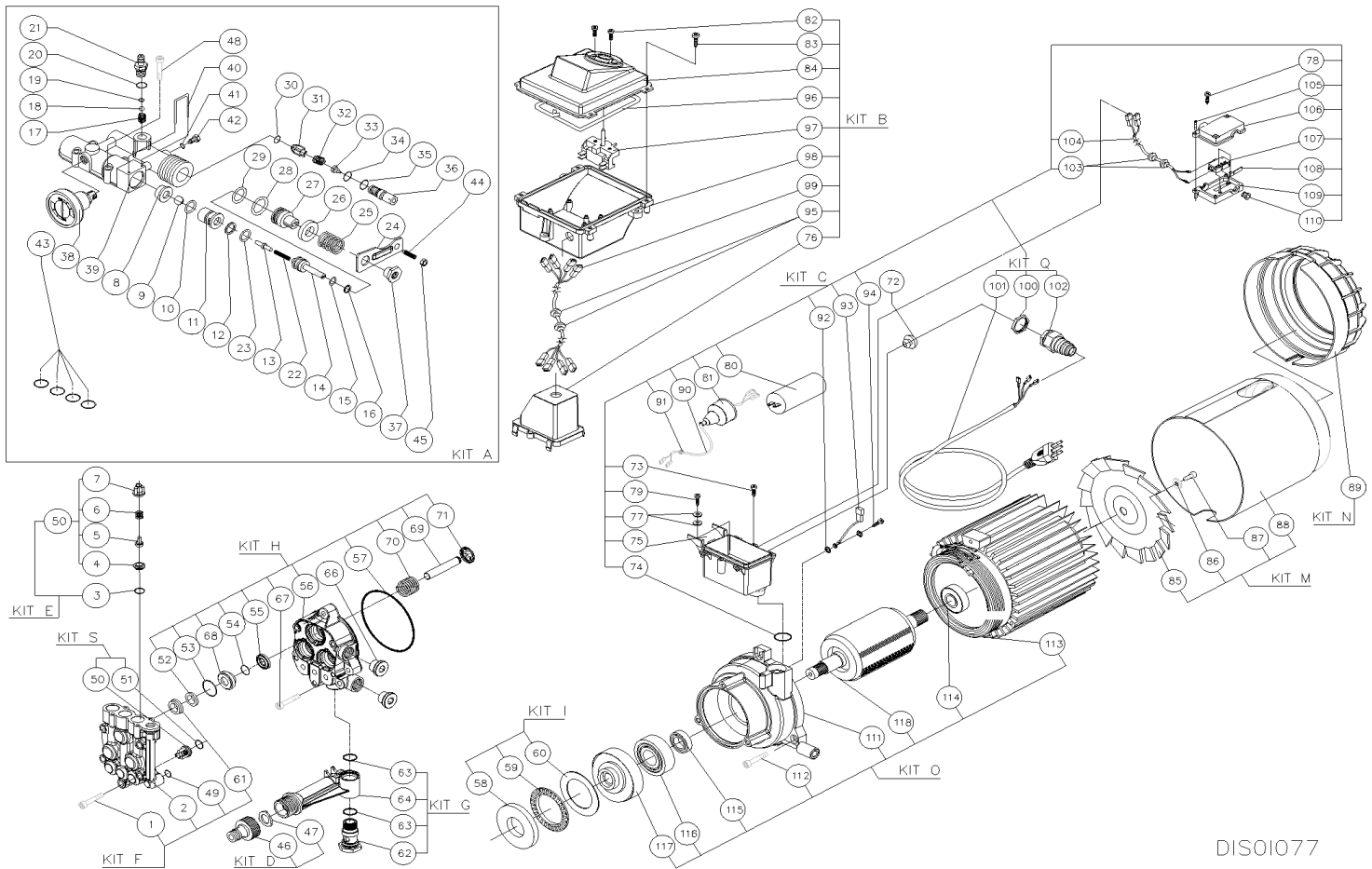
DIS0H117

| Ref. | K | Part N.   | Customer Part N. | Description             | Qty  | Validity: |    | Price |
|------|---|-----------|------------------|-------------------------|------|-----------|----|-------|
|      |   |           |                  |                         |      | From      | To |       |
| 0039 | E | VTVT01573 |                  | SCREW TCEI 8X25 UNI5931 | 1,00 |           |    | --    |
| 0040 | E | VTRS63232 |                  | WASHER D. 8 X17         | 1,00 |           |    | --    |



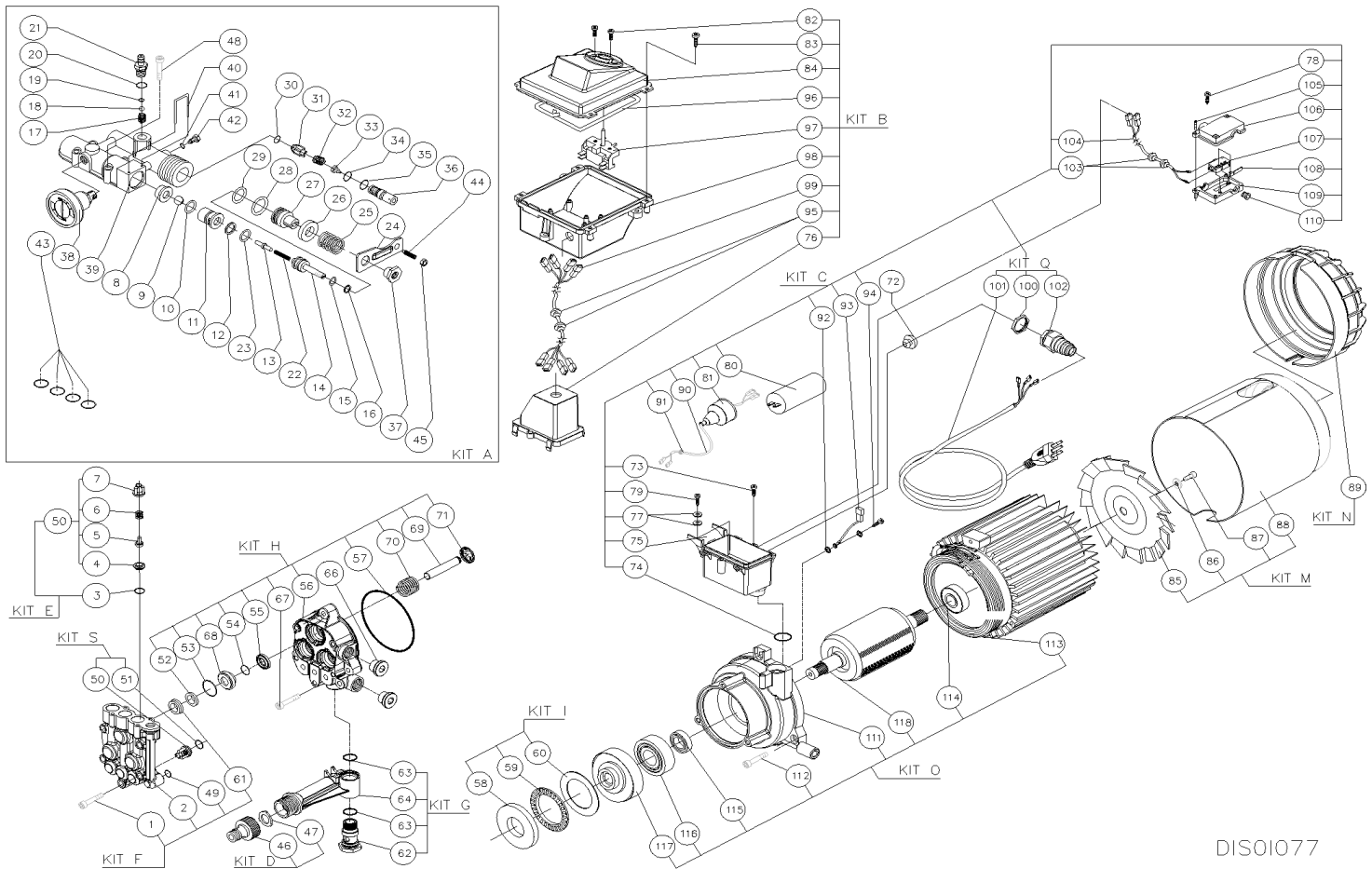
DIS0H117

| Ref. Part N. | Cust. Part N. | Description                              | Reference                                    | Price |
|--------------|---------------|--|--|-------|
| K 3          | KTRI84025     | SCREW KIT 830 (50 PZ)                    | 0003 0003                                    | --    |
| K 4          | KTRI93551     | SCREW KIT F 30-014 (50 PZ)               | 0004 0004                                    | --    |
| K 6          | KTRI92987     | SCREW KIT F 30-006 (50 PZ)               | 0006   | --    |
| K 7          | KTRI93513     | SCREW KIT F 30-012 (50 PZ)               | 0007   | --    |
| K A          | KTRI93635     | RED COVER KIT F24-074 "G" (3 PZ)         | 0001   | --    |
| K B          | KTRI93502     | BAND KIT F24-056 ANT. "G" (5P)           | 0002 0006                                    | --    |
| K C          | KTRI93503     | WHEEL KIT F1-004 AQK-PRO (1P)            | 0008 0009 0010 0011                          | --    |
| K D          | KTRI93504     | COOLING GRILL KIT F24-057 "G" (10 PZ)    | 0013 0030                                    | --    |
| K E          | KTRI93505     | FRAME KIT F24-058 "SERIE G"(1)           | 0005 0006                                    | --    |
| K F          | KTRI93506     | PLATE KIT F24-059 "G"DX/SX (10P)         | 0029 0030 0031                               | --    |
| K G          | KTRI93526     | HOSE REEL KIT F35-002 "G160"+GM 12M      | 0037   | --    |
| K H          | KTRI93623     | HANDLE KIT F 24-071 "SERIE G" 3P         | 0024   | --    |
| K I          | KTRI93509     | RED KNOB KIT F04-001 INT."G" (20P)       | 0025 0026 0027                               | --    |
| K L          | KTRI93524     | TAP KIT F6-006 "G" 2T (10PZ)             | 0028   | --    |
| K N          | KTRI93525     | DETERGENT TANK KIT F6-007 "G" 1,5LT(2PZ) | 0015 0016 0017 0018 0019                     | --    |
| K O          | KTRI93522     | HOOK KIT F24-063 "PRO150X"(1PZ)          | 0006 0020 0021 0022 0023 0033 0034 0035 0036 | --    |
| K P          | KTRI93527     | HANDLE KIT F24-065 AVTB "G"(1PZ)         | 0003 0003 0004 0004 0038                     | --    |
| K 12         | KTRI84071     | CLAMP KIT 876 (20 PZ)                    | 0012   | --    |
| K 30         | KTRI93514     | SCREW KIT F 30-013 (50 PZ)               | 0030   | --    |
| K 32         | KTRI84030     | SCREW KIT 835 (50 PZ)                    | 0032   | --    |

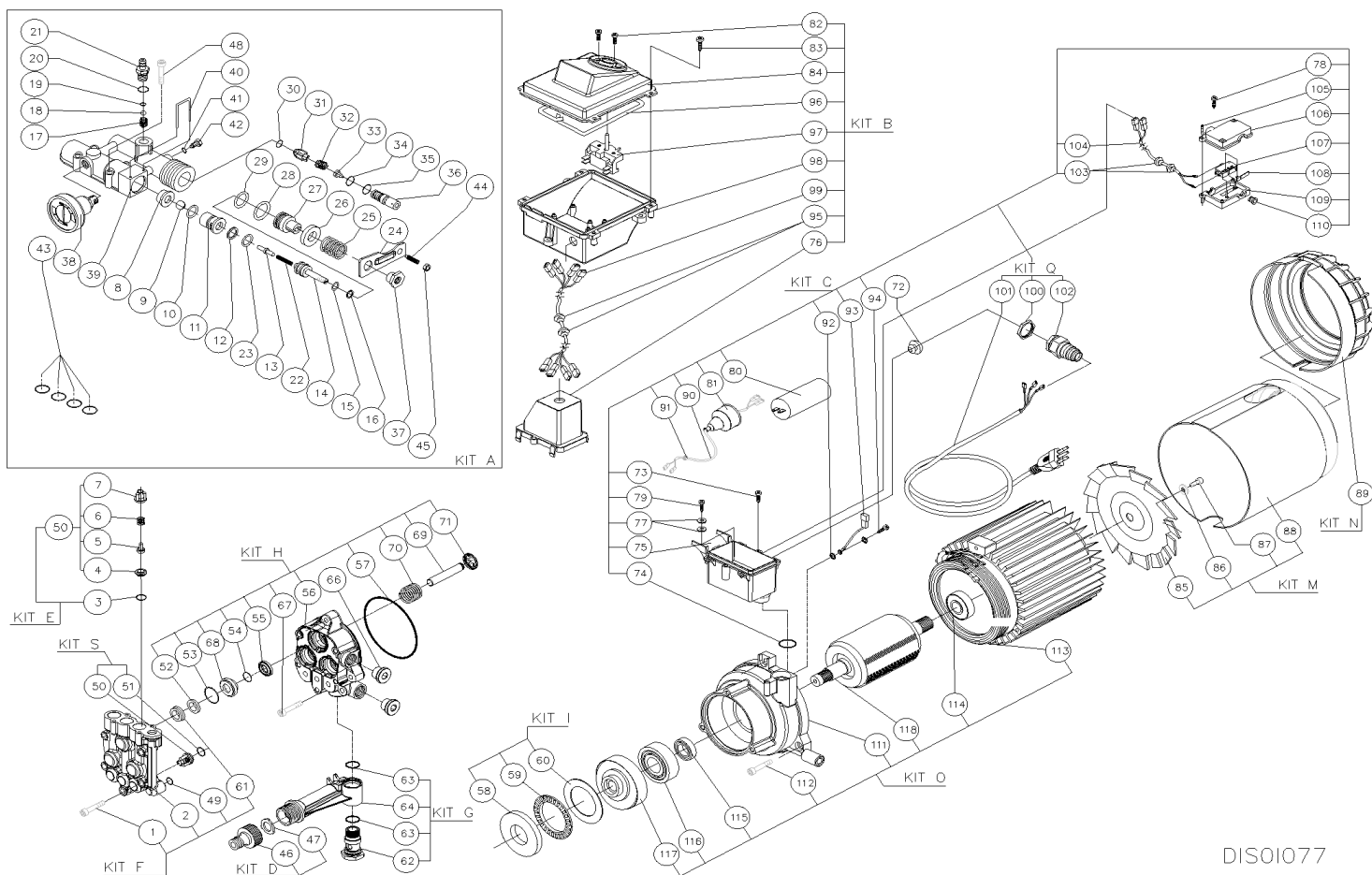


DIS01077

| Ref. | K | Part N.   | Customer Part N. | Description                        | Qty  | Validity: |         | Price |
|------|---|-----------|------------------|------------------------------------|------|-----------|---------|-------|
|      |   |           |                  |                                    |      | From      | To      |       |
| 0001 | E | VTVT93803 |                  | SCREW M 7X35 U5931 CR30/32         | 5,00 |           |         | --    |
| 0002 | E | MFVR92151 |                  | HEAD HBY 5VT OT S/R M7             | 1,00 | 11/2004   |         | --    |
| 0003 | E | GUGO21841 |                  | O-RING D. 12.42 X 1.78 NBR 90SH    | 3,00 | 11/2004   |         | --    |
| 0004 | E | PVVR40191 |                  | VALVE SEAT "TH"                    | 1,00 | 11/2004   |         | --    |
| 0005 | E | PVVR40190 |                  | CAP A.700 INX                      | 1,00 | 11/2004   |         | --    |
| 0006 | E | MLML40189 |                  | SPRING D. 5.5 "TH"                 | 1,00 | 11/2004   |         | --    |
| 0007 | E | PVVR40188 |                  | VALVE GUIDE "TH"                   | 1,00 | 11/2004   |         | --    |
| 0008 | E | PVVR40167 |                  | CAP B12                            | 1,00 |           | 01/2011 | --    |
| 0008 | E | PVVR93853 |                  | CAP SEDE VALVOLA B12 OT            | 1,00 | 01/2011   |         | --    |
| 0009 | E | SFVR53318 |                  | BALL D. 7 AISI 420                 | 1,00 |           |         | --    |
| 0010 | E | GUGO03496 |                  | O-RING D. 9.25 X 1.78 NBR 70SH     | 1,00 |           |         | --    |
| 0011 | E | PVVR81275 |                  | VALVE SEAT D. 5.6 B POL.           | 1,00 |           | 01/2011 | --    |
| 0011 | E | PVVR93860 |                  | VALVE SEAT B D.5,6 POM+25%F.V.     | 1,00 | 01/2011   |         | --    |
| 0012 | E | GUVR63570 |                  | ANTI-EXTR.RING D. 9 X12 X1.5 OR108 | 1,00 |           |         | --    |
| 0013 | E | PVVR40165 |                  | CONTROL PISTON E.START             | 1,00 |           |         | --    |
| 0014 | E | PVVR80703 |                  | SMALL PISTON E.START LG.           | 1,00 | 01/2011   |         | --    |
| 0014 | E | PVVR92410 |                  | SMALL PISTON E.START LG. ALL.      | 1,00 |           | 01/2011 | --    |
| 0015 | E | GUGO12489 |                  | O-RING D. 6.07 X 1.78 NBR 70SH     | 2,00 |           |         | --    |
| 0016 | E | GUVR40170 |                  | ANTI-EXTR.RING D. 6 X 9            | 1,00 |           |         | --    |
| 0017 | E | MLML40172 |                  | SPRING D. 3.5 h=12                 | 1,00 |           |         | --    |
| 0018 | E | SFVR40173 |                  | BALL D. 3/16" AISI 420             | 1,00 |           |         | --    |
| 0019 | E | GUGO01062 |                  | O-RING D. 3.69 X 1.78 NBR 70SH     | 1,00 |           |         | --    |
| 0020 | E | GUGO06988 |                  | O-RING D. 7.66 X 1.78 NBR 70SH     | 1,00 |           |         | --    |
| 0021 | E | RCDS81553 |                  | CONNECTOR OT ASP.DETERG.- H110     | 1,00 | 01/2011   |         | --    |
| 0021 | E | RCDS92412 |                  | CONNECTOR ASP.DETERG.- H110 ALL    | 1,00 |           | 01/2011 | --    |
| 0022 | E | MLML40169 |                  | SPRING E.START                     | 1,00 |           | 01/2011 | --    |
| 0022 | E | MLML59253 |                  | SPRING EASY START S/5              | 1,00 | 01/2011   |         | --    |
| 0023 | E | GUGO63403 |                  | O-RING D. 8.73 X 1.78 NBR 70SH     | 1,00 | 11/2004   |         | --    |
| 0024 | E | LAFN41612 |                  | PLATE SIST.T-STOP A/400            | 1,00 |           |         | --    |
| 0025 | E | MLML80964 |                  | SPRING D. 17.5 X 25 X 3,5 145 BA   | 1,00 |           |         | --    |
| 0026 | E | LAFN58903 |                  | SPACER D.12 BY-PASS                | 1,00 |           |         | --    |
| 0027 | E | PVVR40164 |                  | VALVE BODY BY-PASS B               | 1,00 | 01/2011   |         | --    |
| 0027 | E | PVVR92408 |                  | VALVE BODY BY-PASS B ALL.          | 1,00 |           | 01/2011 | --    |
| 0028 | E | GUGO09720 |                  | O-RING D. 14 X 1.78 NBR 70SH       | 1,00 | 09/2004   |         | --    |
| 0029 | E | GUGO11652 |                  | O-RING D. 12.42 X 1.78 NBR 70SH    | 1,00 | 09/2004   |         | --    |
| 0030 | E | GUGO93633 |                  | O-RING D. 5 X 2 NBR 90SH           | 1,00 |           |         | --    |
| 0031 | E | VVSF40182 |                  | VALVE H90 PLS                      | 1,00 |           |         | --    |
| 0032 | E | MLML59254 |                  | SPRING D. 9.2 X10X0.8 AISI 302     | 1,00 |           |         | --    |
| 0033 | E | UGEI40178 |                  | NOZZLE D. 1.8 HOBBY                | 1,00 |           |         | --    |

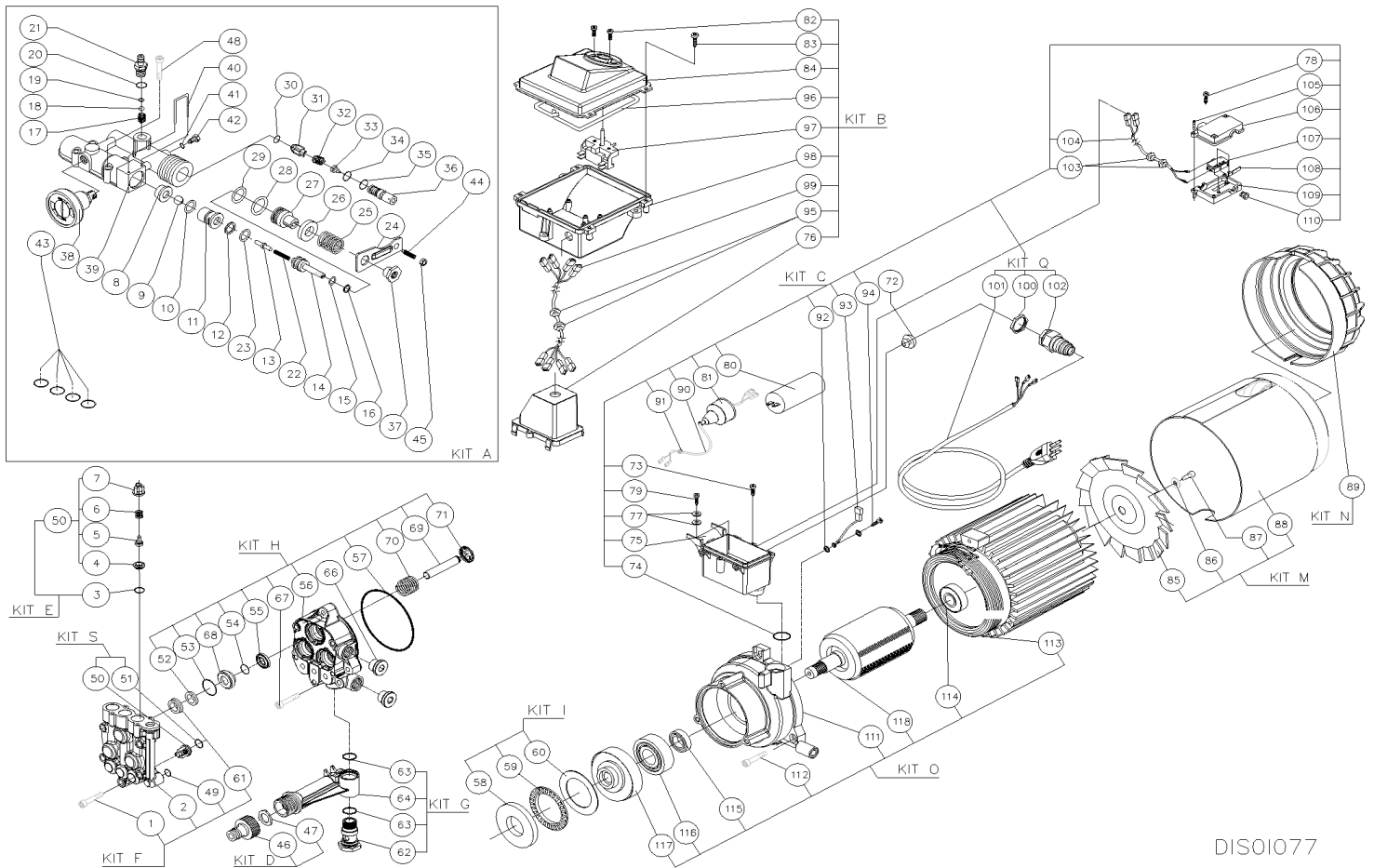


| Ref. | K | Part N.   | Customer Part N. | Description                         | Qty  | Validity: |         | Price |
|------|---|-----------|------------------|-------------------------------------|------|-----------|---------|-------|
|      |   |           |                  |                                     |      | From      | To      |       |
| 0034 | E | GUGO40179 |                  | O-RING D. 8 X 2 NBR 70SH            | 1,00 |           |         | --    |
| 0035 | E | GUGO03496 |                  | O-RING D. 9.25 X 1.78 NBR 70SH      | 1,00 |           |         | --    |
| 0036 | E | MPVR81152 |                  | NIPPLE H90 S3                       | 1,00 |           |         | --    |
| 0037 | E | VTDD92738 |                  | NUT E.START ALL.                    | 1,00 |           |         | --    |
| 0038 | E | MNMN91833 |                  | PRESSURE GAUGE D.40 MIN-MAX R1/8"   | 1,00 | 02/2005   |         | --    |
| 0039 | E | MFVR57878 |                  | MANIFOLD H94 AL ML AN               | 1,00 |           |         | --    |
| 0039 | E | MFVR57881 |                  | MANIFOLD H94AL ML 15 FUS            | 1,00 |           | 01/2011 | --    |
| 0039 | E | MFVR94084 |                  | MANIFOLD H94AL ML S/SCR 15 FIN      | 1,00 | 01/2011   |         | --    |
| 0040 | E | LAFN82147 |                  | PLUG ARR.CART BY-PASS BUR S2        | 1,00 |           |         | --    |
| 0041 | E | GUGO63486 |                  | O-RING D. 4 X 2 -NBR 90SH           | 1,00 |           |         | --    |
| 0042 | E | PVVR92733 |                  | SCREW RIT.NIPPLO HOBBY90 ALL.       | 1,00 |           |         | --    |
| 0043 | E | GUGO40193 |                  | O-RING D. 15 X 2 NBR 70SH           | 4,00 | 11/2004   |         | --    |
| 0044 | E | VTVT80892 |                  | SCREW M 5X 30 UNI 5925              | 1,00 | 02/2005   |         | --    |
| 0045 | E | VTDD01678 |                  | NUT M 5 UNI 5588                    | 1,00 |           |         | --    |
| 0046 | E | FTAC92422 |                  | WATER FILTER ASS. MTPV2000          | 1,00 | 11/2004   | 01/2011 | --    |
| 0046 | E | FTAC93800 |                  | WATER FILTER "GO"                   | 1,00 | 01/2011   |         | --    |
| 0047 | E | RCVR62752 |                  | SOCKET 3433 BK.                     | 1,00 | 01/2011   |         | --    |
| 0047 | E | RCVR90242 |                  | SOCKET 3433 BK.                     | 1,00 | 07/2003   | 01/2011 | --    |
| 0048 | E | VTVT91362 |                  | SCREW TCEI M 5X30 12.9 ZN.G.        | 4,00 | 11/2004   | 01/2011 | --    |
| 0048 | E | VTVT93805 |                  | SCREW TCEI M 5X30 12.9 ZN.          | 4,00 | 01/2011   |         | --    |
| 0049 | E | GUGO63403 |                  | O-RING D. 8.73 X 1.78 NBR 70SH      | 1,00 |           |         | --    |
| 0050 | E | VVAM41610 |                  | VALVE UNIT F 140/150 IP             | 6,00 | 11/2004   |         | --    |
| 0051 | E | GUGO40192 |                  | O-RING D. 12 X 2 NBR 90SH           | 3,00 | 11/2004   |         | --    |
| 0052 | E | PVVR81773 |                  | HEAD RING 14X22X1.5 WB1422PS033     | 3,00 | 11/2004   | 01/2011 | --    |
| 0053 | E | GUGO19290 |                  | O-RING D. 23.52 X 1.78 NBR 70SH     | 3,00 | 11/2004   |         | --    |
| 0054 | E | GUGO19194 |                  | O-RING D. 11.11 X 1.78 NBR 70SH     | 3,00 |           |         | --    |
| 0055 | E | GUGO83400 |                  | OIL SEAL 14X 22X 5/7                | 3,00 |           | 01/2011 | --    |
| 0055 | E | GUGO93808 |                  | OIL SEAL 14X 22X 5/7 +ML            | 3,00 | 01/2011   |         | --    |
| 0056 | E | MFVR91823 |                  | CRANKCASE RNF 14CT H3 PF3/8G SS 3/8 | 1,00 |           | 01/2011 | --    |
| 0056 | E | MFVR93925 |                  | CRANKCASE RNF14CT PF3/8G 3/8G CNT   | 1,00 | 01/2011   |         | --    |
| 0057 | E | GUGO40199 |                  | O-RING D. 80.60 X 2.62 NBR 70SH     | 1,00 |           |         | --    |
| 0058 | E | CUVR91911 |                  | THRUST BLOCK D. 27X60 H6            | 1,00 | 12/2004   | 01/2011 | --    |
| 0058 | E | CUVR93818 |                  | THRUST BLOCK D. 27X60 H6            | 1,00 | 01/2011   |         | --    |
| 0059 | E | CUVR92973 |                  | ROLLER BEARING AXK 4060             | 1,00 |           |         | --    |
| 0060 | E | CUVR40153 |                  | FLANGE D. 40X60-1 AS4060            | 1,00 |           |         | --    |
| 0060 | E | CUVR40153 |                  | FLANGE D. 40X60-1 AS4060            | 1,00 | 01/2011   |         | --    |
| 0061 | E | GUVR40194 |                  | PACKING D. 14 W214                  | 3,00 | 11/2004   | 01/2011 | --    |
| 0061 | E | GUVR93815 |                  | PACKING A.P.14X22X6-HOBBY90 S2      | 3,00 | 01/2011   |         | --    |
| 0062 | E | MPVR91829 |                  | SCREW 3/8 RACC. ASP. G160           | 1,00 |           |         | --    |



DIS01077

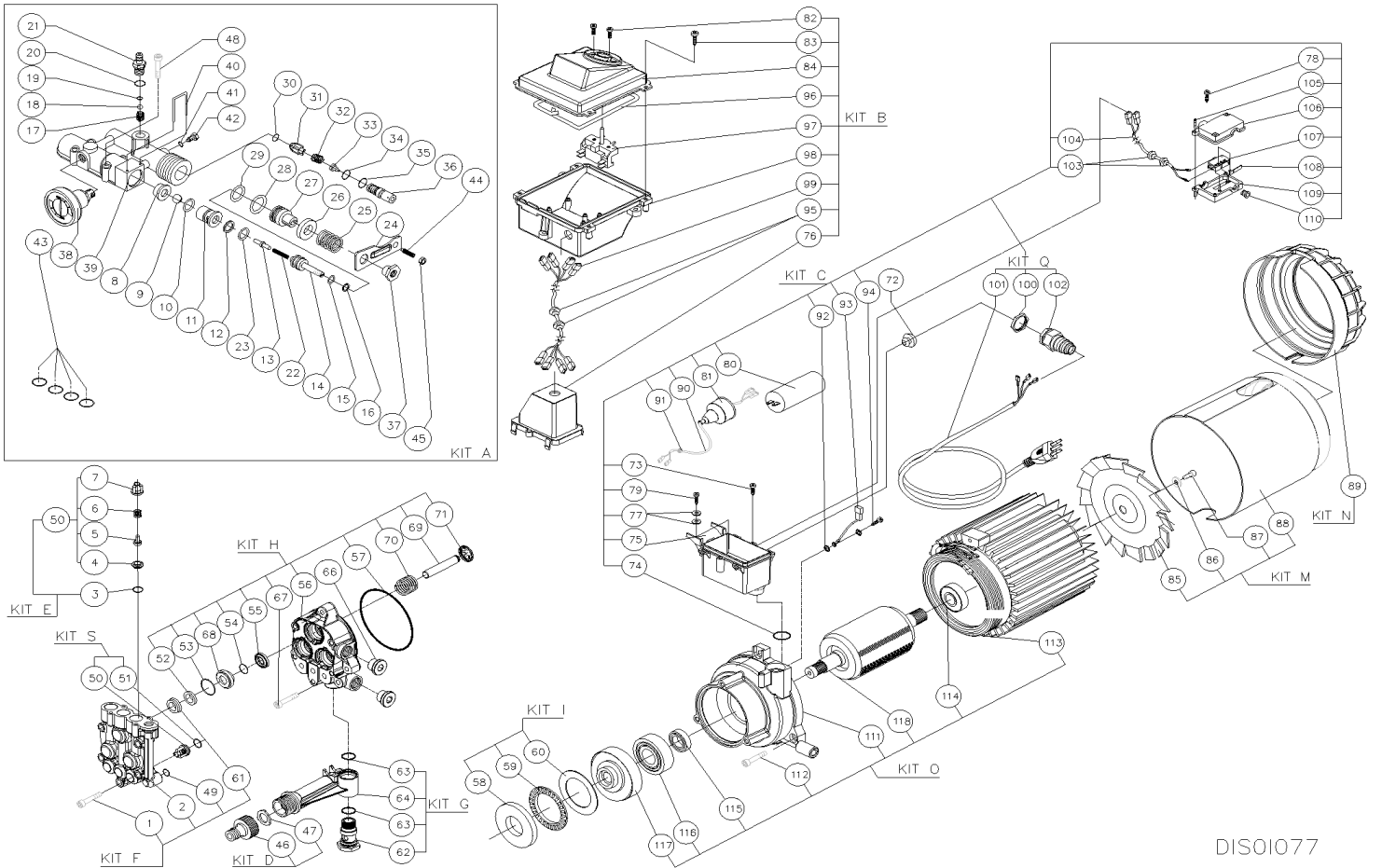
| Ref. | K | Part N.   | Customer Part N. | Description                         | Qty  | Validity: |         | Price |
|------|---|-----------|------------------|-------------------------------------|------|-----------|---------|-------|
|      |   |           |                  |                                     |      | From      | To      |       |
| 0063 | E | GUGO24913 |                  | O-RING D. 17.17 X 1.78 NBR 90SH     | 2,00 |           |         | --    |
| 0064 | E | MPVR91828 |                  | INTAKE CONNECT.G160                 | 1,00 |           | 01/2011 | --    |
| 0064 | E | MPVR93868 |                  | INTAKE CONNECT.G160 3/4M / OCCH. S2 | 1,00 | 01/2011   |         | --    |
| 0066 | E | RCVR67288 |                  | OIL CAP 3/8+G TCNB-38               | 2,00 |           | 01/2011 | --    |
| 0066 | E | RCVR93811 |                  | OIL CAP 3/8+G TCNB-38               | 2,00 | 01/2011   |         | --    |
| 0067 | E | VTVT91361 |                  | SCREW TCEI M 6X30 22000 N ZN.G.     | 3,00 | 11/2004   | 01/2011 | --    |
| 0067 | E | VTVT93804 |                  | SCREW TCEI M 6X30 22000 N ZN.       | 3,00 | 01/2011   |         | --    |
| 0068 | E | PVVR83027 |                  | PACKING RETAIN.D. 14 H.90 S2        | 3,00 | 01/2011   |         | --    |
| 0068 | E | PVVR92721 |                  | PACKING RETAIN.D. 14 H.90 S2 ALL.   | 3,00 | 01/2005   | 01/2011 | --    |
| 0069 | E | PIVR90981 |                  | PISTON D. 14X 63 HBY 90SP.          | 3,00 |           |         | --    |
| 0070 | E | MLML59285 |                  | SPRING 5 SP                         | 3,00 | 10/1999   | 01/2011 | --    |
| 0070 | E | MLML93804 |                  | SPRING 5 SP                         | 3,00 | 01/2011   |         | --    |
| 0071 | E | PVVR40201 |                  | SPRING PLATE H.90                   | 3,00 |           |         | --    |
| 0072 | E | MEVR90388 |                  | FAIR-LEAD GOMMA 9/14/18-3           | 1,00 | 11/2004   |         | --    |
| 0073 | E | VTVT80745 |                  | SCREW TCB-TC 5 X25                  | 2,00 |           |         | --    |
| 0074 | E | GUGO63500 |                  | O-RING D. 19 X 2 NBR 70SH           | 1,00 |           |         | --    |
| 0075 | E | MPVR90325 |                  | BASE-SUPPORT SC. EL. H112           | 1,00 |           |         | --    |
| 0076 | E | MPVR91924 |                  | BOX COVER "G"                       | 1,00 | 11/2004   |         | --    |
| 0077 | E | VTRS63246 |                  | WASHER D. 5.3X10 ZN                 | 2,00 | 02/2005   |         | --    |
| 0078 | E | VTVT63009 |                  | SCREW TRU TSP CR 3,5X16 ZN.S/P      | 1,00 | 11/2004   |         | --    |
| 0079 | E | VTVT67358 |                  | SCREW TCEI M5X20 AUTOM. TRIL.ZN     | 1,00 |           |         | --    |
| 0080 | E | MECO61715 |                  | CAPACITOR 40 MF D. 45X 95 FASTON    | 1,00 | 11/2004   |         | --    |
| 0081 | E | MPVR60388 |                  | COWLING PER CONDENSATORE            | 1,00 | 11/2004   |         | --    |
| 0082 | E | VTVT63046 |                  | SCREW TSPEI M4X12 ZC.               | 2,00 | 11/2004   |         | --    |
| 0082 | E | VTVT67356 |                  | SCREW M 4X 12 TCB TC TRIL.          | 2,00 | 02/2005   | 01/2011 | --    |
| 0083 | E | VTVT62983 |                  | SCREW ATF TC CROCE M3,9X19 BRU      | 4,00 | 11/2004   |         | --    |
| 0084 | E | MPVR91919 |                  | BOX COVER "G160"                    | 1,00 | 11/2004   |         | --    |
| 0085 | E | VEVR91813 |                  | IMPELLER A.700 D.140                | 1,00 |           |         | --    |
| 0086 | E | FSVR91814 |                  | RING VENT.MEC 100                   | 1,00 |           |         | --    |
| 0088 | E | MPVR91812 |                  | CONVEYOR A400/H121                  | 1,00 |           |         | --    |
| 0090 | E | MECV61787 |                  | CABLE BIPOLARE UL105° 2X18AWG       | 0,30 | 11/2004   |         | --    |
| 0091 | E | MPVR60518 |                  | FAIR-LEAD 15X7,5                    | 1,00 | 11/2004   |         | --    |
| 0092 | E | VTRS63310 |                  | WASHER D. 4                         | 2,00 | 02/2005   |         | --    |
| 0093 | E | MECB80079 |                  | CABLE 1X1,5 SG L=27                 | 1,00 | 02/2005   |         | --    |
| 0094 | E | VTVT67356 |                  | SCREW M 4X 12 TCB TC TRIL.          | 1,00 |           |         | --    |
| 0095 | E | MEVR67433 |                  | FAIR-LEAD DR10/14/18-3              | 2,00 | 12/2004   |         | --    |
| 0096 | E | GUVR82555 |                  | JOINT D. 4                          | 0,40 | 11/2004   |         | --    |
| 0097 | E | MECI61599 |                  | SWITCH AQUA 3022/31 A PL            | 1,00 | 11/2004   | 01/2011 | --    |
| 0097 | E | MECI93803 |                  | SWITCH AQUA 3022/56 A AC + HOLE     | 1,00 | 01/2011   |         | --    |



DIS01077

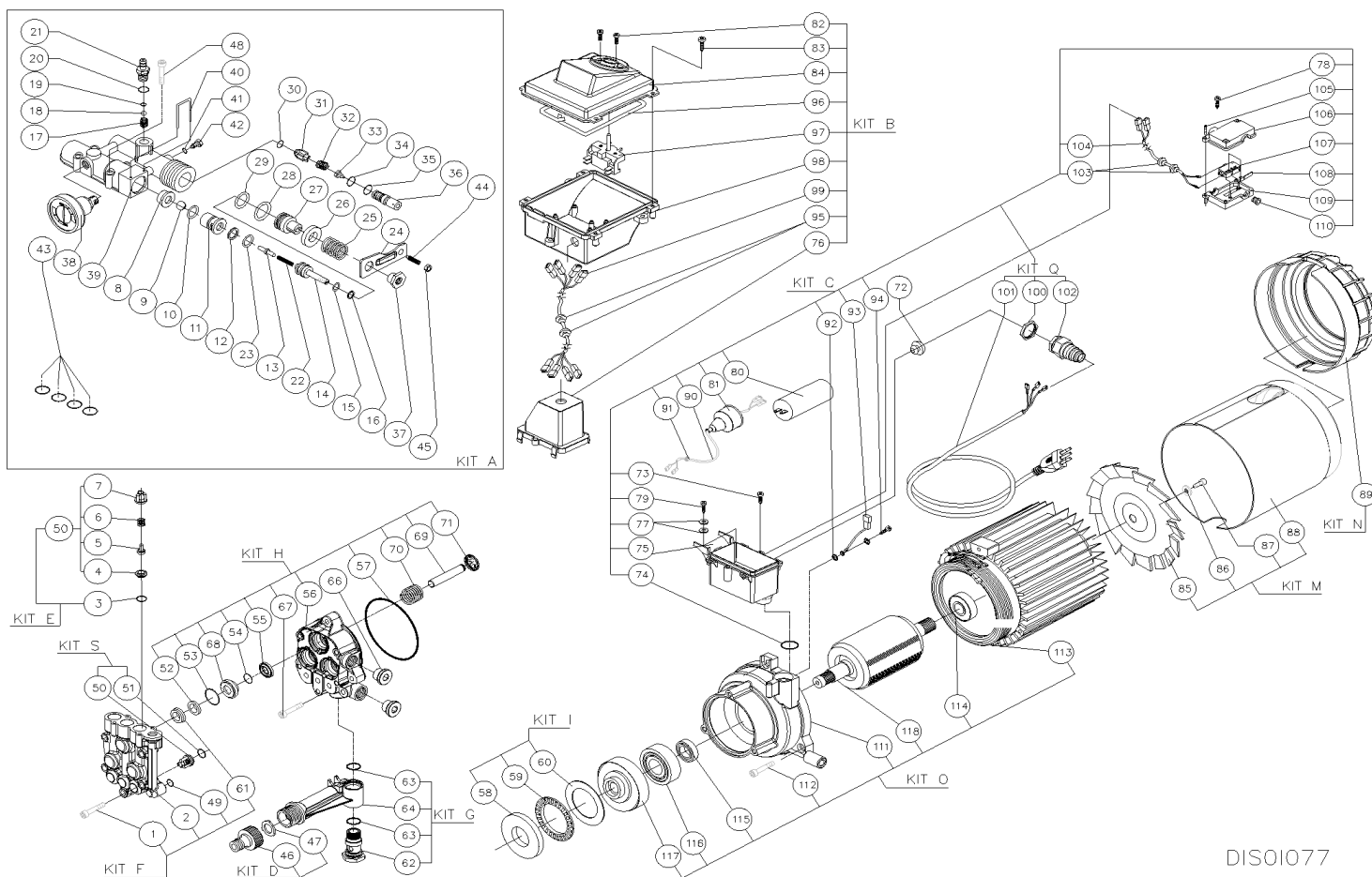
| Ref. | K | Part N.   | Customer Part N. | Description                              | Qty  | Validity: |         | Price |
|------|---|-----------|------------------|--|------|-----------|---------|-------|
|      |   |           |                  |  |      | From      | To      |       |
| 0098 | E | MPVR91921 |                  | BUSHING SCAT.EL. SERIE "G"               | 1,00 | 11/2004   |         | --    |
| 0099 | E | MECB81327 |                  | CABLE H07 RNF 3X1.5 MT 5.5 S2            | 1,00 |           |         | --    |
| 0100 | E | MEVR61843 |                  | LOCKNUT PG 11                            | 1,00 | 11/2004   | 01/2011 | --    |
| 0100 | E | MEVR61846 |                  | LOCKNUT PG11                             | 1,00 | 01/2011   |         | --    |
| 0100 | E | MEVR61846 |                  | LOCKNUT PG11                             | 1,00 | 01/2011   |         | --    |
| 0101 | E | MECB81327 |                  | CABLE H07 RNF 3X1.5 MT 5.5 S2            | 1,00 | 11/2004   | 01/2011 | --    |
| 0101 | E | MECB93854 |                  | CABLE H05VVF 3X1,5 MT 5,5 +SCH           | 1,00 | 01/2011   |         | --    |
| 0101 | E | MECB93854 |                  | CABLE H05VVF 3X1,5 MT 5,5 +SCH           | 1,00 | 01/2011   |         | --    |
| 0102 | E | MEVR40210 |                  | FAIR-LEAD D. 10 HMM                      | 1,00 | 11/2004   |         | --    |
| 0103 | E | MPVR60518 |                  | FAIR-LEAD 15X7,5                         | 2,00 | 11/2004   |         | --    |
| 0104 | E | MECB64268 |                  | CABLE T/S 2X1 L=300 2 FAST.L.            | 1,00 |           |         | --    |
| 0105 | E | VTVT07859 |                  | SCREW TCB-TC 3.5X13 UNI6954              | 3,00 | 11/2004   |         | --    |
| 0106 | E | MPVR82050 |                  | COVER T/S AQUA 400 S2                    | 1,00 | 11/2004   | 01/2011 | --    |
| 0106 | E | MPVR94308 |                  | COVER T/S AQUA 400 S3                    | 1,00 | 01/2011   |         | --    |
| 0107 | E | MECI90216 |                  | MICROSWITCH 20A 1CT XG0412-86            | 1,00 |           |         | --    |
| 0109 | E | MPVR82051 |                  | BASE-SUPPORT T/S AQUA 400                | 1,00 | 11/2004   | 01/2011 | --    |
| 0109 | E | MPVR94309 |                  | BASE-SUPPORT T/S AQUA 400 S3             | 1,00 | 01/2011   |         | --    |
| 0110 | E | MPVR41620 |                  | PROTECTOR S.T-STOP FP                    | 1,00 | 11/2004   |         | --    |
| 0111 | E | MFVR91807 |                  | SHIELD ANT. "G160"                       | 1,00 |           |         | --    |
| 0112 | E | VTVT90541 |                  | SCREW TCEI M 6X20 ATF TRIL.              | 3,00 | 02/2004   |         | --    |
| 0113 | E | MOST92390 |                  | EL.MOT. STATOR CPL 128X67H120 230/50I    | 1,00 | 07/2004   | 01/2011 | --    |
| 0113 | E | MOST93824 |                  | EL.MOT. STATOR CPL 128X67H120 230/50 SIL | 1,00 | 01/2011   |         | --    |
| 0114 | E | CUVR53295 |                  | BALL BEARING 6003 2Z ZKL                 | 1,00 |           |         | --    |
| 0115 | E | PVVR63537 |                  | OIL SEAL 17X 28X 7-NBR HOBBY 90          | 1,00 |           |         | --    |
| 0116 | E | CUVR53307 |                  | BALL BEARING 7303 B                      | 1,00 |           |         | --    |
| 0117 | E | MFVR94009 |                  | CAP INCL. 9°15'                          | 1,00 | 01/2011   |         | --    |
| 0117 | E | PVVR40154 |                  | CAP H.90 9°                              | 1,00 | 12/2004   | 01/2011 | --    |
| 0118 | E | MORT91311 |                  | EL.MOT. ROTOR CPL 67X20H110              | 1,00 |           | 01/2011 | --    |
| 0118 | E | MORT93827 |                  | EL.MOT. ROTOR CPL 67X20H120              | 1,00 | 01/2011   |         | --    |





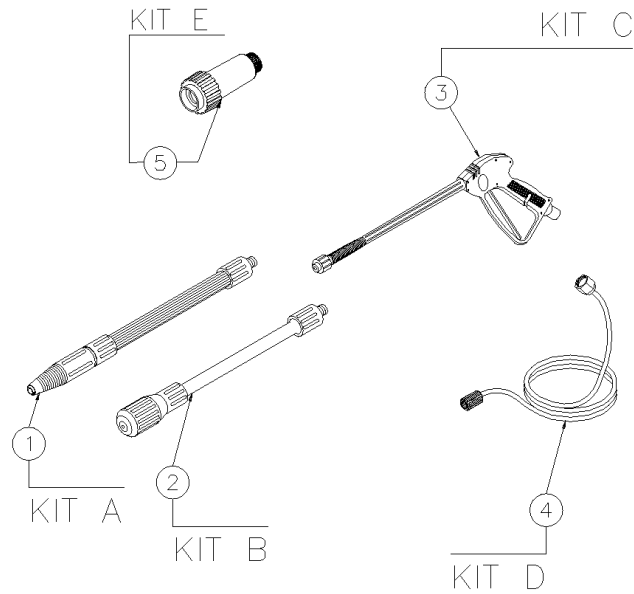
DIS01077

| Ref. | Part N.   | Cust. Part N. | Description                              | Reference  | Price |
|------|-----------|---------------|--|--|-------|
| K 1  | KTRI93434 |               | SCREW KIT F 30-009 (50 PZ)               | 0001   | --    |
| K A  | KTRI93549 |               | MANIFOLD KIT F 14-016 G160X (5 PZ)       | 0008 0009 0010 0011 0012 0013 0014 0015 0016 0017 0018 0019 0020 0021<br>0022 0023 0024 0025 0026 0027 0028 0029 0030 0031 0032 0033 0034 0035<br>0036 0037 0038 0039 0040 0041 0042 0043 0044 0045 0048 | --    |
| K B  | KTRI93529 |               | CONTROL BOARD KIT F 37-044 G150X (2P)    | 0076 0082 0082 0083 0084 0095 0096 0097 0098 0099  | --    |
| K C  | KTRI93530 |               | CONTROL BOARD KIT F37-045 G160X INF.(2P) | 0072 0073 0074 0075 0077 0078 0079 0080 0081 0090 0091 0092 0093 0094<br>0100 0101 0102 0103 0104 0105 0106 0107 0108 0109 0110  | --    |
| K D  | KTRI82810 |               | QUICK SOCKET KIT 560 (20 PZ)             | 0046 0047  | --    |
| K D  | KTRI94427 |               | HOSE FITTING KIT F 15-042 "G" (1 PZ)     | 0046 0047  | --    |
| K E  | KTRI82808 |               | SMALL VALVE KIT 558 (30 PZ)              | 0003 0004 0005 0006 0007 0050  | --    |
| K F  | KTRI93405 |               | HEAD KIT F 15-041 "G" OT (1PZ)           | 0001 0002 0049 0061  | --    |
| K G  | KTRI93406 |               | INTAKE CONNECT.KIT F 15-042 "G" (1 PZ)   | 0062 0063 0064   | --    |
| K G  | KTRI94415 |               | INTAKE CONNECT.KIT F 15-042 "G" (1 PZ)   | 0062 0063 0064   | --    |
| K H  | KTRI94413 |               | CRANKCASE F 15-043 "G150" (5PZ)          | 0053 0054 0055 0055 0056 0056 0056 0057 0066 0067 0067 0068 0068 0069<br>0069 0070 0070 0071   | --    |
| K H  | KTRI93407 |               | CRANKCASE F 15-043 "G150" (5PZ)          | 0052 0053 0054 0055 0056 0057 0066 0067 0068 0069 0070 0071  | --    |
| K I  | KTRI82812 |               | ROLLER BEAR.DISKIT 562 (10 PZ)           | 0058 0059 0060   | --    |
| K M  | KTRI93544 |               | CONVEYOR KIT F24-066 G160 (1PZ)          | 0085 0086 0088   | --    |
| K O  | KTRI93545 |               | MOTOR KIT F37-046 230/50 (1 PZ)          | 0111 0112 0113 0114 0115 0116 0117 0118  | --    |
| K O  | KTRI94474 |               | MOTOR KIT F37-166 230/50 (1 PZ)          | 0111 0112 0113 0113 0114 0115 0116 0117 0117 0118 0118   | --    |
| K Q  | KTRI83741 |               | CABLE KIT 742 F140 (1PZ)                 | 0100 0101 0102   | --    |
| K S  | KTRI83170 |               | SMALL VALVE KIT 613 (30 PZ)              | 0050 0051  | --    |
| K 12 | KTRI93273 |               | ANTI-EXTR.RING KIT F 15-033 (50 PZ)      | 0012   | --    |
| K 15 | KTRI93430 |               | O-RING KIT F 15-044 (50 PZ)              | 0015   | --    |
| K 16 | KTRI93431 |               | O-RING KIT F 15-045 (50 PZ)              | 0016   | --    |
| K 23 | KTRI93274 |               | O-RING KIT F 15-034 (50 PZ)              | 0023   | --    |
| K 28 | KTRI93279 |               | O-RING KIT F 15-039 (50 PZ)              | 0028   | --    |
| K 29 | KTRI93278 |               | O-RING KIT F 15-038 (50 PZ)              | 0029   | --    |
| K 34 | KTRI92772 |               | O-RING KIT F 15-031 (50 PZ)              | 0034   | --    |
| K 38 | KTRI93432 |               | O-RING KIT F 9-001 (20 PZ)               | 0038   | --    |
| K 43 | KTRI93277 |               | O-RING KIT F 15-037 (50 PZ)              | 0043   | --    |
| K 48 | KTRI93609 |               | SCREW KIT F 30-015 (50 PZ)               | 0048   | --    |
| K 53 | KTRI93275 |               | O-RING KIT F 15-035 (50 PZ)              | 0053   | --    |
| K 54 | KTRI93276 |               | O-RING KIT F 15-036 (50 PZ)              | 0054   | --    |
| K 61 | KTRI93433 |               | PACKING KIT F 15-046 (60 PZ)             | 0061   | --    |
| K 61 | KTRI93997 |               | O-RING KIT F 15-074 (60 PZ)              | 0061   | --    |
| K 66 | KTRI93436 |               | SCREW KIT F 30-010 (50 PZ)               | 0066   | --    |
| K 66 | KTRI84064 |               | CAP KIT 869 OIL 3/8G (20 PZ)             | 0066   | --    |
| K 73 | KTRI92987 |               | SCREW KIT F 30-006 (50 PZ)               | 0073   | --    |



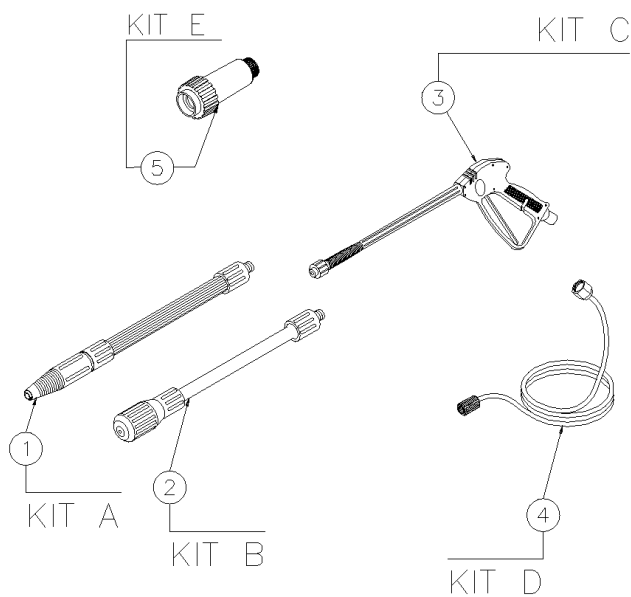
DIS01077

| Ref. | Part N.   | Cust. Part N. | Description                     | Reference | Price |
|------|-----------|---------------|---------------------------------|-----------|-------|
| K 74 | KTRI93001 |               | O-RING KIT F 15-032 (50 PZ)     | 0074      | --    |
| K 79 | KTRI82973 |               | SCREW KIT 590 (50 p.z.)         | 0079      | --    |
| K 80 | KTRI84068 |               | CAPACITOR KIT 873 40 MF (10 PZ) | 0080      | --    |
| K 92 | KTRI84029 |               | WASHER KIT 834 (50 PZ)          | 0092      | --    |
| K 94 | KTRI84040 |               | SCREW KIT 845 (50 PZ)           | 0094      | --    |
| K 96 | KTRI93435 |               | SHEATH+CORD KIT F 24-054 (10MT) | 0096      | --    |
| K110 | KTRI92767 |               | PROTECTOR KIT F 24-039 (50 PZ)  | 0110      | --    |
| K112 | KTRI84025 |               | SCREW KIT 830 (50 PZ)           | 0112      | --    |



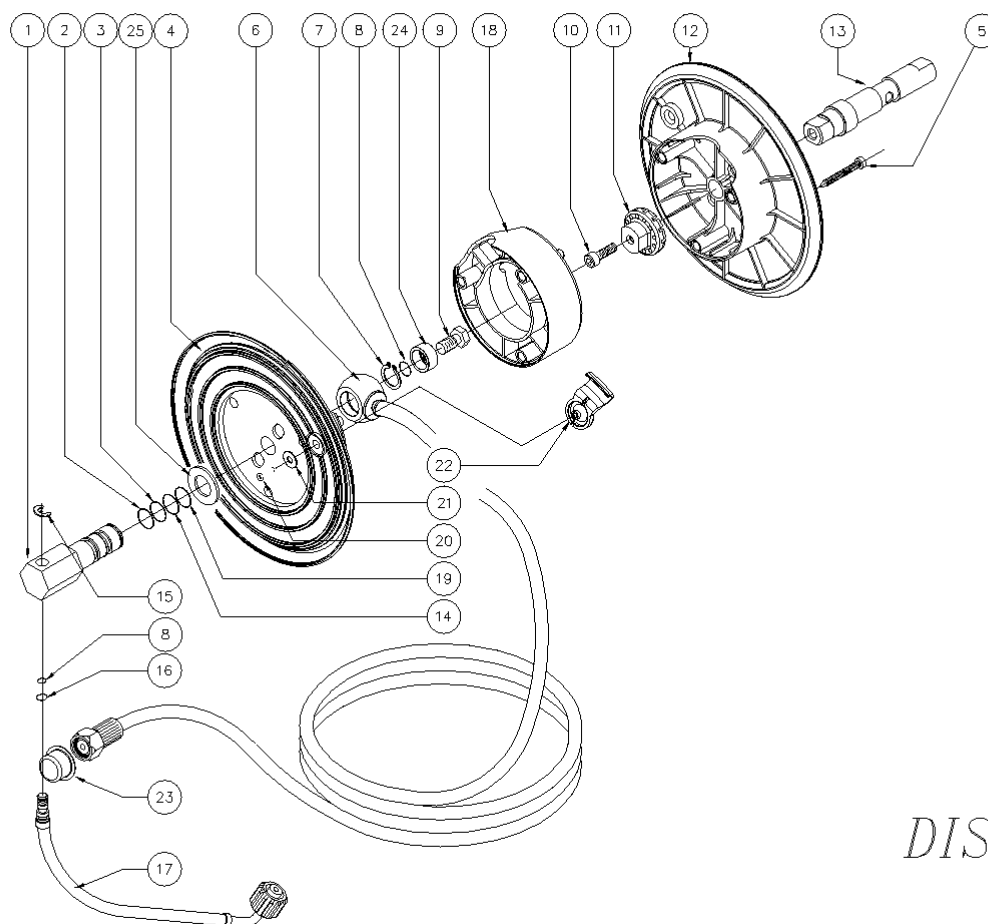
VARI0059

| Ref. | K | Part N.   | Customer Part N. | Description                     | Qty  | Validity: |         | Price |
|------|---|-----------|------------------|---------------------------------|------|-----------|---------|-------|
|      |   |           |                  |                                 |      | From      | To      |       |
| 0001 | E | LCPR93174 |                  | LANCE T10-220B +SF230 D.1,25    | 1,00 |           |         | --    |
| 0002 | E | LCPR93175 |                  | LANCE TURBO TTR-16+SF230 D.1,30 | 1,00 |           | 01/2011 | --    |
| 0002 | E | LCPR93177 |                  | LANCE TURBO TTR-16+SF230 D.1,30 | 1,00 | 01/2011   |         | --    |
| 0003 | E | IPIP92478 |                  | GUN BIT-101 1/4M / M22X1,5      | 1,00 |           | 01/2011 | --    |
| 0003 | E | IPIP93803 |                  | GUN BIT-105 1/4M / M22X1,5      | 1,00 | 01/2011   |         | --    |
| 0005 | E | FTAC91274 |                  | WATER FILTER 3/4 M.F.           | 1,00 | 07/2007   |         | --    |



VARI0059

| Ref. Part N. | Cust. Part N. | Description                      | Reference | Price |
|--------------|---------------|----------------------------------|-----------|-------|
| K A          | KTRI93547     | LANCE KIT F31-037 MRG 1,25(1PZ)  | 0001      | --    |
| K B          | KTRI93546     | HEAD KIT F31-036 LC TRB TTR16    | 0002      | --    |
| K C          | KTRI93548     | GUN F 26-015 BIT M22 (1 PZ)      | 0003      | --    |
| K E          | KTRI94164     | WATER FILTER KIT AQK ECO (10 PZ) | 0005      | --    |



DISO D072

| Ref. | K | Part N.   | Customer Part N. | Description                             | Qty  | Validity: |         | Price |
|------|---|-----------|------------------|---|------|-----------|---------|-------|
|      |   |           |                  |   |      | From      | To      |       |
| 0001 |   | RCDS92573 |                  | PIN DIFF. AVTB "SERIE G" A.P            | 1,00 |           | 06/2007 | --    |
| 0001 |   | RCDS93815 |                  | PIN DIFF. AVTB "SERIE G" A.P            | 1,00 | 07/2007   |         | --    |
| 0002 |   | GUGO09720 |                  | O-RING D. 14 X 1.78 NBR 70SH            | 1,00 |           |         | --    |
| 0003 |   | GUVR63567 |                  | ANTI-EXTR.RING X OR 2056                | 1,00 |           |         | --    |
| 0004 |   | MPVR81713 |                  | DISC AVVOLGITUBO H120                   | 1,00 |           |         | --    |
| 0005 |   | VTVT91877 |                  | SCREW ATF TSP CROCE 4,5X60 Z.G.         | 3,00 |           |         | --    |
| 0006 |   | TBAP93476 |                  | H.P. HOSE 1/4 GM 210B 12MT AVTB AVP     | 1,00 |           |         | --    |
| 0007 |   | VTAE63319 |                  | CIRCLIP D. 16 UNI7435                   | 1,00 |           |         | --    |
| 0008 |   | GUGO12489 |                  | O-RING D. 6.07 X 1.78 NBR 70SH          | 2,00 |           |         | --    |
| 0009 |   | RCDS92670 |                  | SCREW TE M 8X1X13 ALL.                  | 1,00 |           |         | --    |
| 0010 |   | VTVT07947 |                  | SCREW TCEI 8X20 UNI5931                 | 1,00 |           |         | --    |
| 0011 |   | MPVR93869 |                  | DRIVE DISK AVVOLG. SERIE "H122" AP      | 1,00 |           |         | --    |
| 0012 |   | MPVR81714 |                  | DISC AVVOLGITUBO H120                   | 1,00 |           |         | --    |
| 0013 |   | RCDS91876 |                  | PIN MANIGLIA AVV. AQK-1500              | 1,00 |           |         | --    |
| 0014 |   | GUGO11652 |                  | O-RING D. 12.42 X 1.78 NBR 70SH         | 1,00 |           |         | --    |
| 0015 |   | VTAE82459 |                  | RING D. 7 UNI 7434                      | 1,00 |           |         | --    |
| 0016 |   | GUGO03500 |                  | O-RING D. 6.75 X 1.78 NBR 70SH          | 1,00 |           |         | --    |
| 0017 |   | TBAP90051 |                  | HOSE AVV. H121 L=600                    | 1,00 |           |         | --    |
| 0018 |   | MPVR91875 |                  | SPACER AVTB "G" L= 40mm                 | 1,00 |           |         | --    |
| 0019 |   | GUVR93340 |                  | ANTI-EXTR.RING 16X13,2X1,45 PTFE SP5611 | 1,00 |           |         | --    |
| 0020 |   | VTVT67352 |                  | SCREW ATF TSP CROCE 4,8X16 ZIN.         | 1,00 |           |         | --    |
| 0021 |   | VTRS63232 |                  | WASHER D. 8 X17                         | 1,00 |           |         | --    |
| 0022 |   | MPVR92672 |                  | BLOCK TUBO AVTB "G"                     | 1,00 |           |         | --    |
| 0023 |   | MPVR63686 |                  | CAP D.22,5 - O1S/T22,5                  | 1,00 |           |         | --    |
| 0024 |   | RCDS93495 |                  | SPACER PERNO DIFF. AVTB "G"             | 1,00 |           |         | --    |
| 0025 |   | VTRS93497 |                  | WASHER D.18,5 X24 X0,3 OT               | 1,00 |           |         | --    |