

IPC Integrated Professional Cleaning

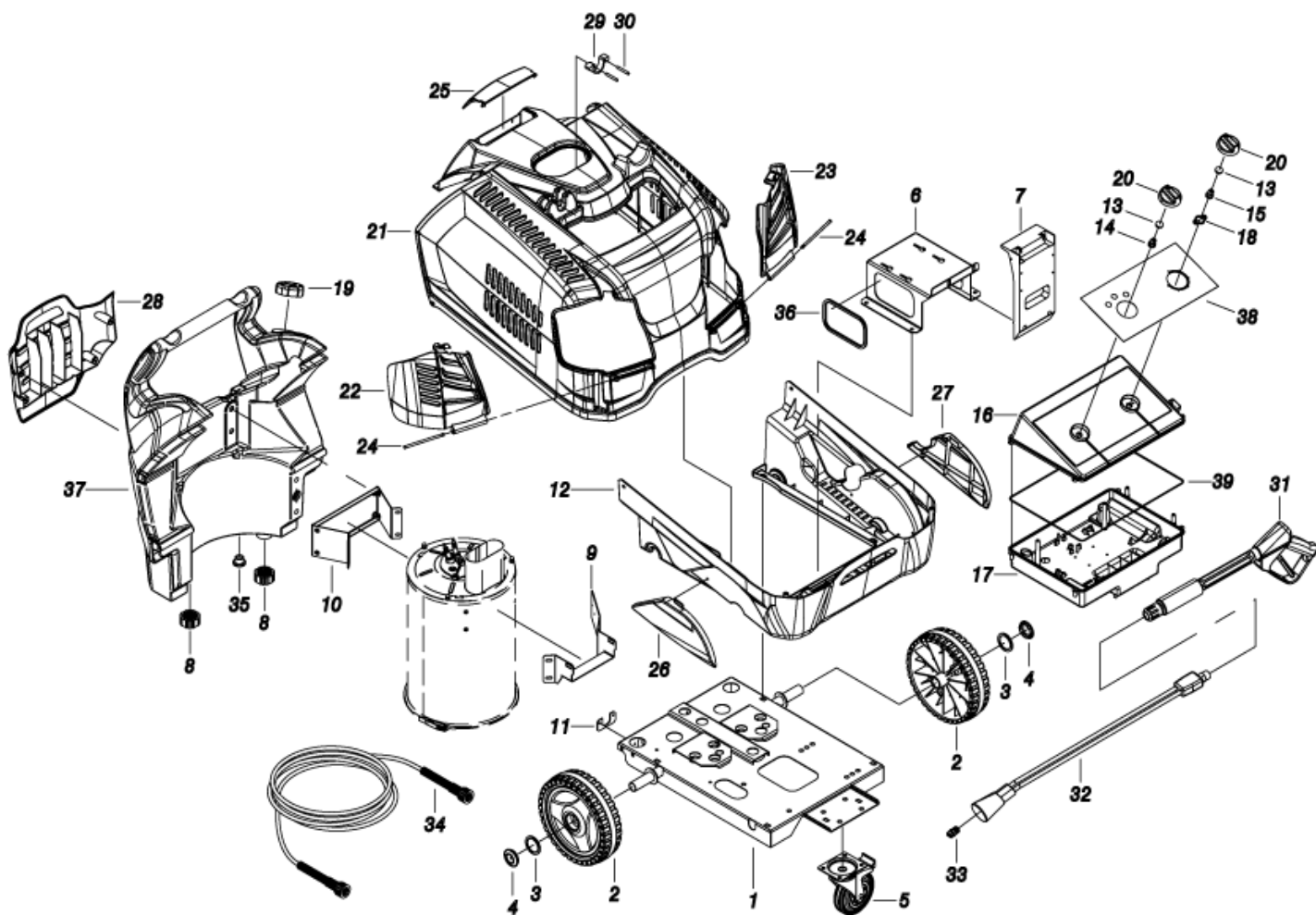
IPC Portotecnica

Spare Parts List

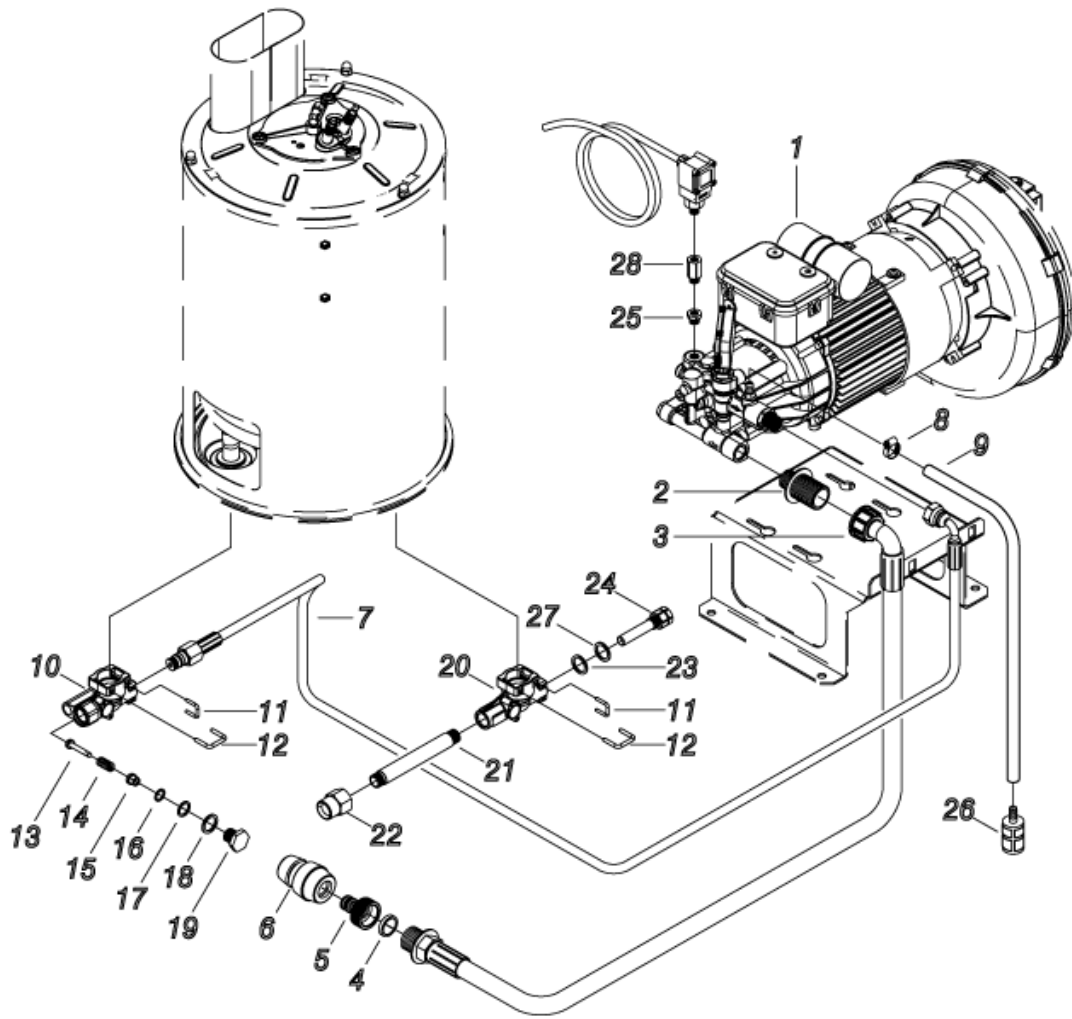
IPF ENGINEERING LTD

Ref: IDAC40806

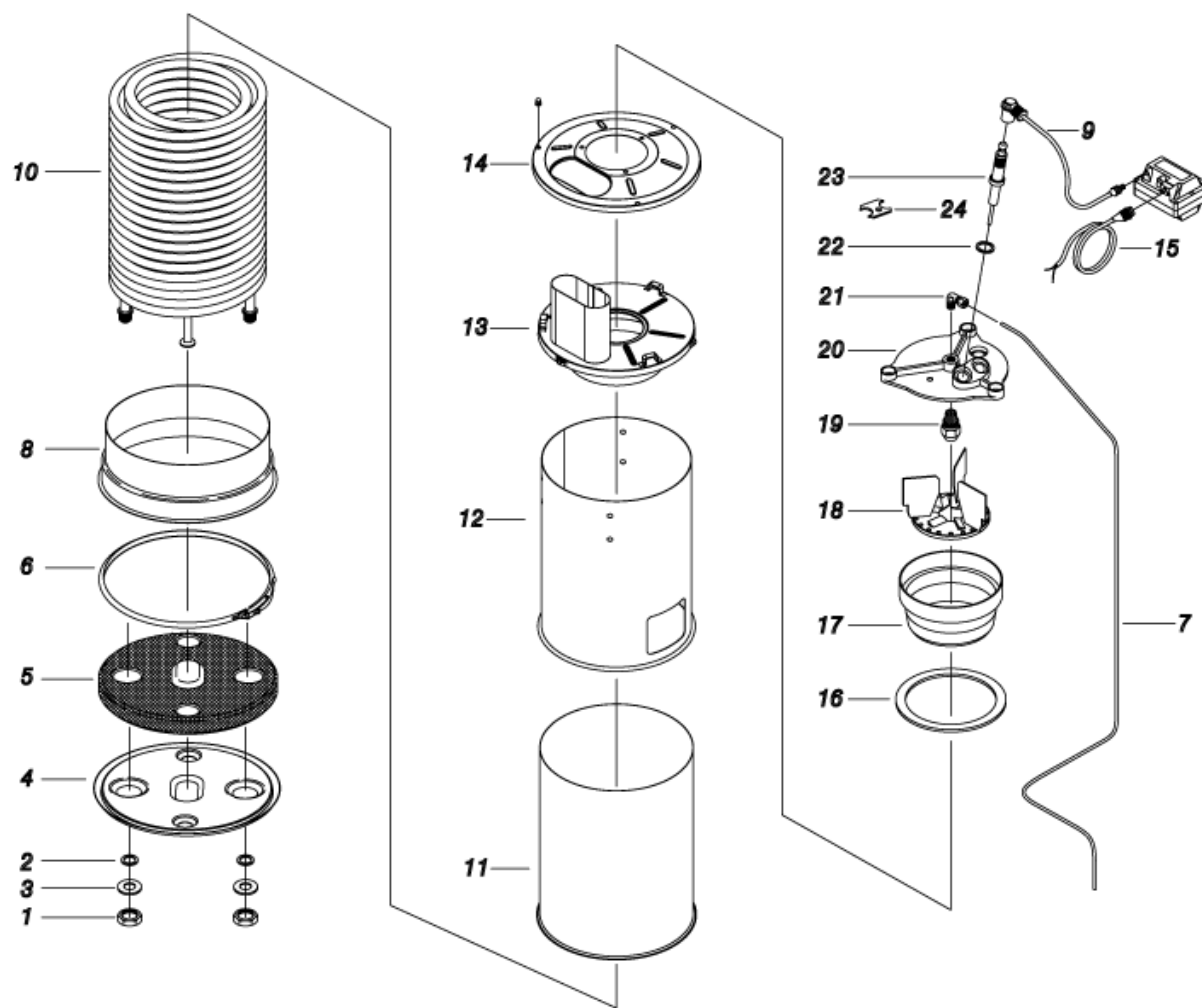
Model: IDROP ARGON-H I1308A M 230/50 3-01PRT



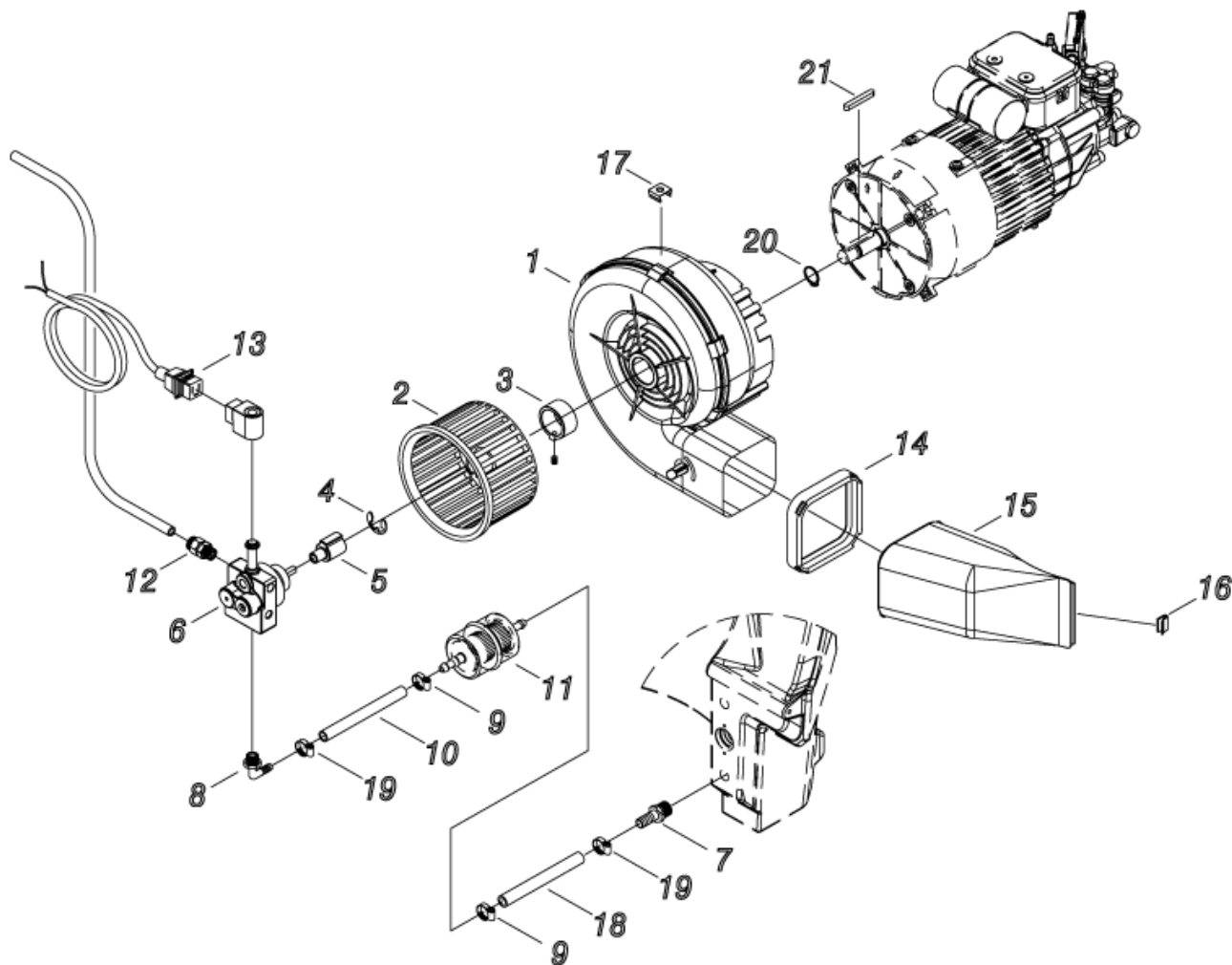
Ref. K	Part N.	Customer Part N.	Description	Qty	Validity:		Price
					From	To	
0039	GUGO33675		JOINT MOUSSE D. 4	1,30			--



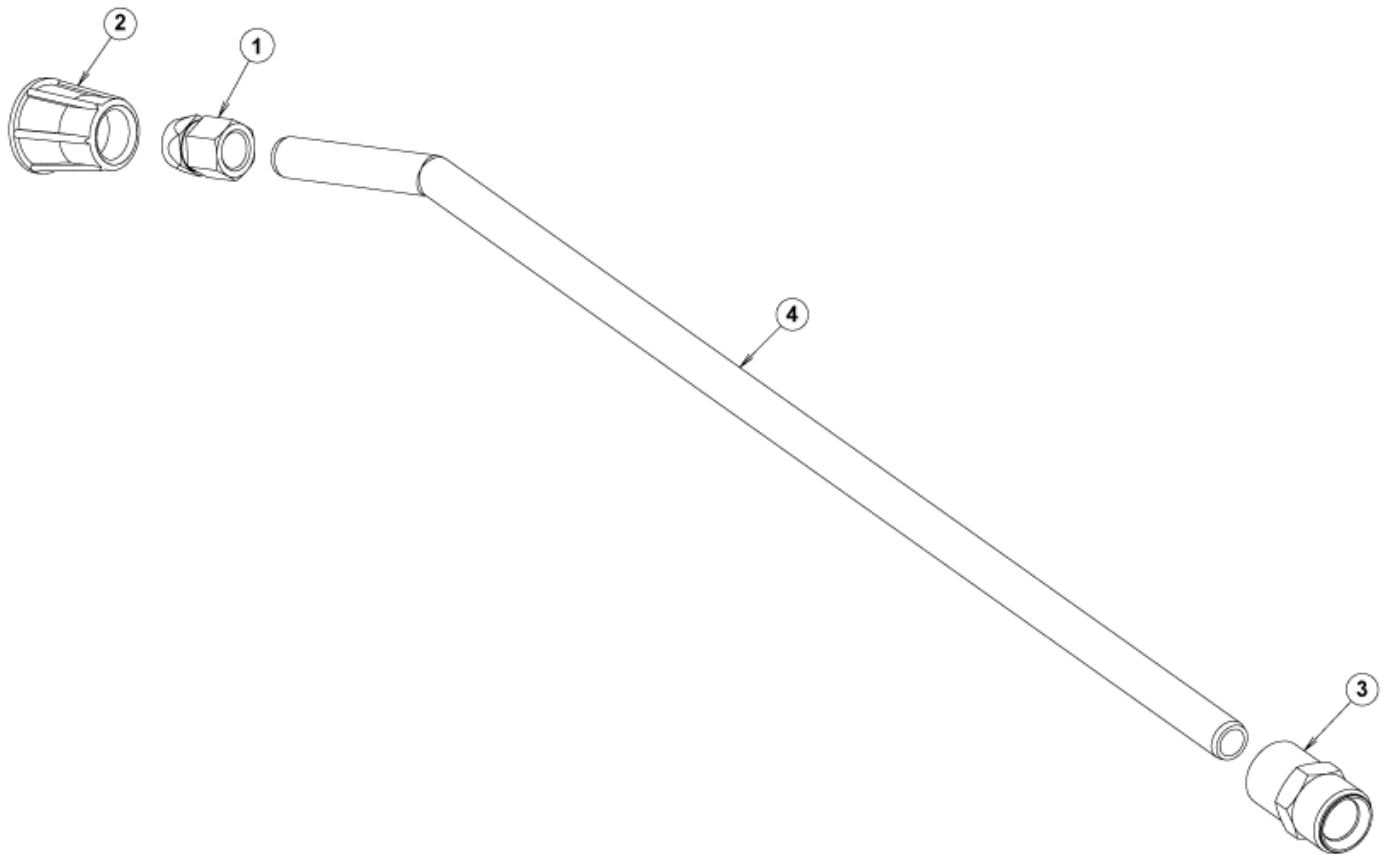
Ref.	K	Part N.	Customer Part N.	Description	Qty	Validity:		Price
						From	To	
0001		PEEL40062		MOTOR-DRIV.PUMPHRM-O 9.15 TSS 230/50 H28	1,00			--
0002		MPVR84857		INTAKE CONNECT.H121 3/8-3/4 LG +GUARN.	1,00			--
0003		TBBP40084		L.P. HOSE L=880 3/4F 90° -3/4M 0°	1,00			--
0004		FTDT12702		FILTER PA	1,00			--
0005		RCVR29600		SOCKET PTC 3/4 F	1,00			--
0006		RCVR29602		CONNECTOR D. 1/2"-5/8" PTC	1,00			--
0007		TBAP40162		TUBE 5/16 RACC L=610 R1 PW-H28	1,00			--
0008		FSVR40008		CLAMP D. 13.5 CLIC	1,00			--
0009		TBBP00051		DETERGENT HOSE D. 6-12	1,50			--
0010		MFVR40062		CONNECTOR PW-H28 AL. INL.	1,00			--
0011		LAFN37625		PLUG "U" T-STOP PRM INX	2,00			--
0012		LAFN87846		PLUG "U" P191 INX	2,00			--
0013		RCDS87759		SMALL PISTON V.SC. P191 OT.	1,00			--
0014		MLML87845		SPRING D. 7.8 X21 D.2.0 INX	1,00			--
0015		MPVR87758		BUSHING V.SC. P191 POM	1,00		07/2015	--
0015		RCDS40214		BUSHING V.SC. P191/200 OT.	1,00	07/2015		--
0016		VTRS00516		WASHER D. 5 INX	1,00			--
0017		GUGO37529		O-RING D. 5.23 X 2.62 NBR 70SH	1,00			--
0018		GUGO25527		O-RING D. 14 X 3 NBR 70SH	1,00			--
0019		RCDS87757		VALVE TAP P191 OT.	1,00			--
0020		MFVR40063		CONNECTOR PW-H28 AL. OUT.	1,00			--
0021		RCDS40210		CONNECTOR L= 58 2X3/8M CN. ZC.	1,00			--
0022		RCIN03753		MALE COUPLING M22-3/8 M-FA	1,00			--
0023		GUGO27030		O-RING D. 6 X 3 VIT 70SH	1,00			--
0024		RCDS40211		SUMP PW-H28 D.15 OT.	1,00			--
0025		PVVR40413		CAP AR HRM + FORO 1/8G	1,00		08/2015	--
0026		FTDT04648		FILTER PG. D.6 PLS	1,00			--
0027		VTRS40025		WASHER D. 6.6X11.75X2 OT.	1,00			--
0028		RCVR02593		SLEEVE 1/8-1/4 M/F A5	1,00			--



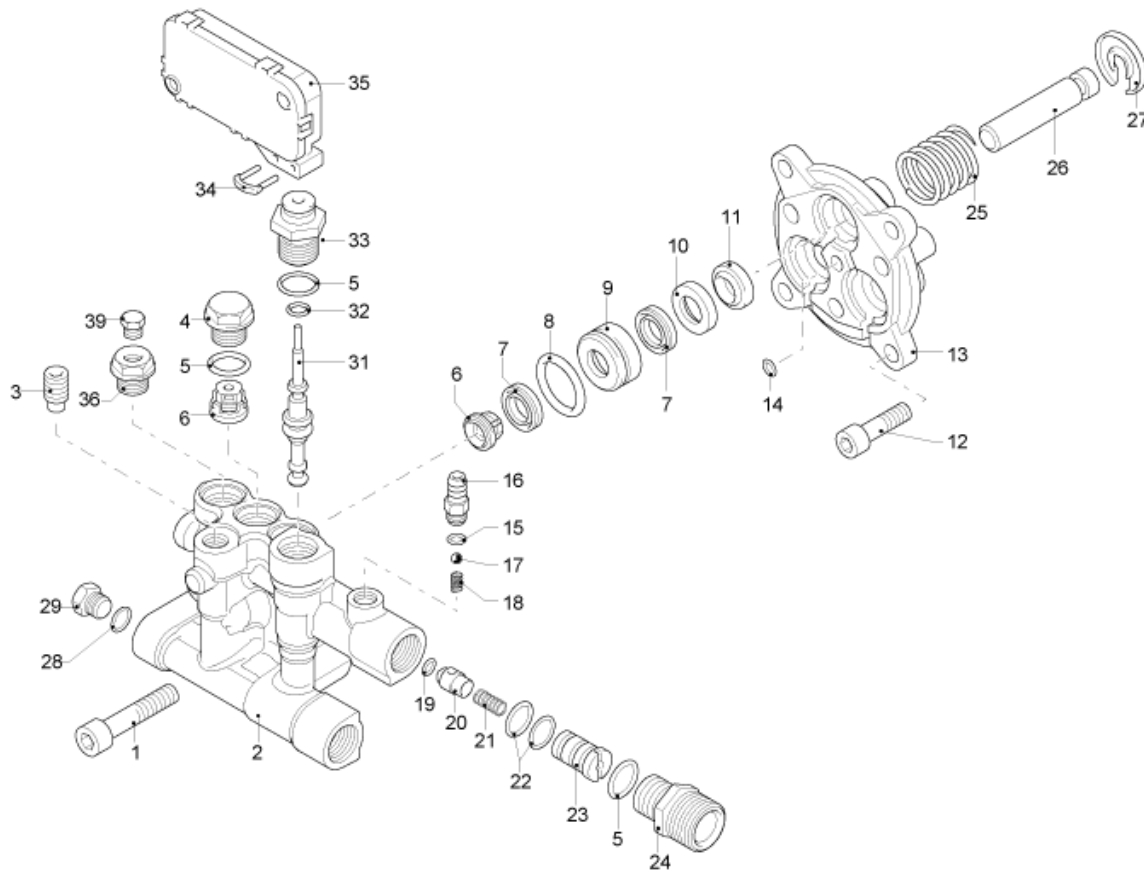
Ref.	K	Part N.	Customer Part N.	Description	Qty	Validity: From To	Price
0001		RCDS40208		RING NUT M 27 X 1,5 ZC	2,00		--
0002		GUGO89301		O-RING D. 16 X 4 NBR 70SH	2,00		--
0003		GUVR21021		ANTI-EXTR.RING D. 21 X17 TEF.	2,00		--
0004		LAFN48448		BOILER BOTTOM KSM 2V. ZN	1,00		--
0005		ITTE48373		BOTTOM KSM C.TE	1,00		--
0006		LAFN20108		RING D.298 KSM	1,00		--
0007		TBCO40059		DIESEL HOSE PW-H28/HRM D. 4 IX	1,00		--
0008		LAFN48368		BAND KSM 2V. INX	1,00		--
0009		MECV35334		CABLE A.T. 9,8-23KOHM/M L= 400P	2,00		--
0010		LAGR40030		DOUBLE COIL M27X1.5 H28 20MT. SP.2.0	1,00		--
0011		LAFN40579		INT. CYLINDER MPU-20 CP.INX	1,00		--
0012		LAFN40577		EXT. CYLINDER MPU-20/2P INX	1,00		--
0013		LAFN40708		BOILER COVER SIMPU.200 INX	1,00		--
0014		LAFN40580		BOILER COVER SEMPUR INX	1,00		--
0015		MECB34463		CABLE BT L=800 SP.	1,00		--
0016		GUVR25775		GASKET D. 105/88 X 3	1,00		--
0017		LAFN20055		NOSEPIECE KSM	1,00		--
0018		LAFN30294		BAFFLE KSM/AGN	1,00		--
0019		UGBR18630		BURNER NOZZLE 0.75 45 A	1,00		--
0020		MFVR88612		ELECTR.HOLDER KSM 1/8CN.	1,00		--
0021		RCVR08954		ELBOW 1/8"-4 B5	1,00		--
0022		VTRS07941		WASHER D.11.3X15X1.5 RM	2,00		--
0023		MECA18232		ELECTRODE L=101.5 KSM	2,00		--
0024		LAFN20123		PLATE KSM INX	1,00		--



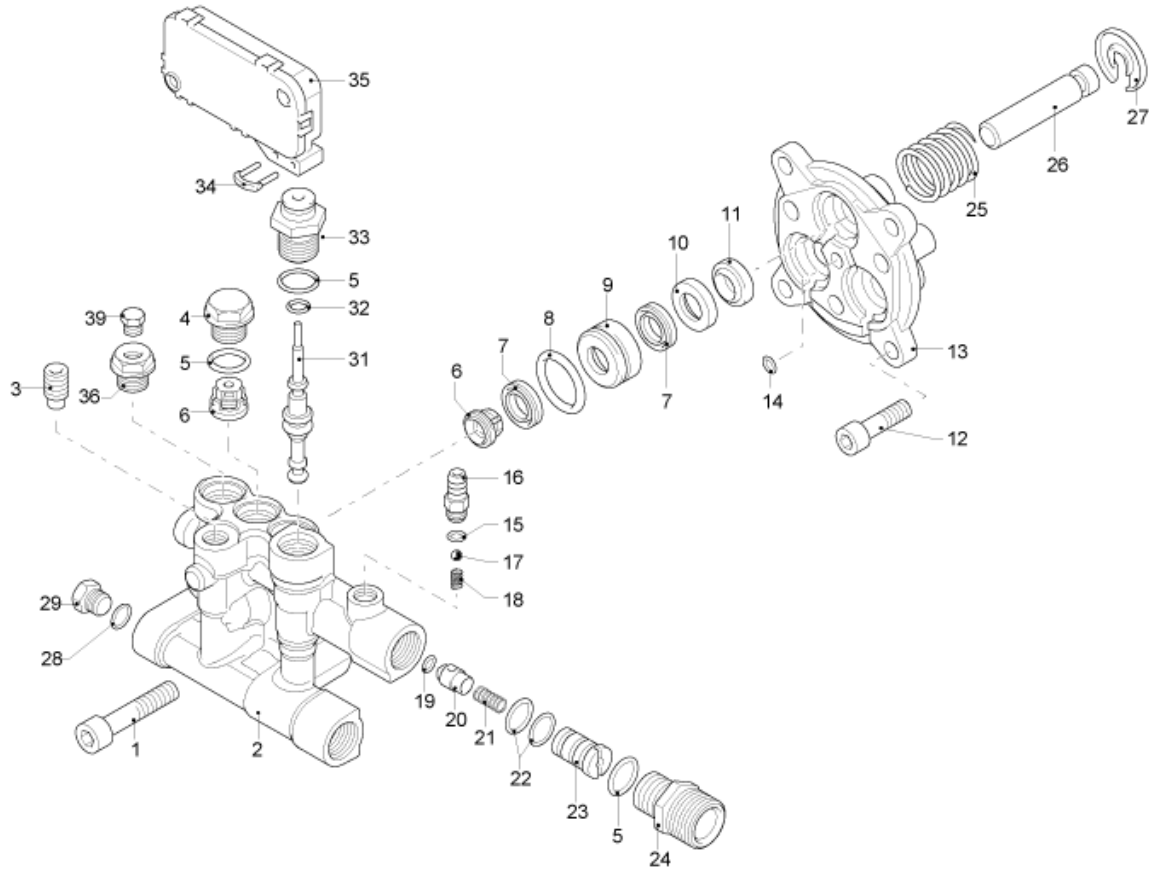
Ref. K	Part N.	Customer Part N.	Description	Qty	Validity:		Price
					From	To	
0002	VEVR40012		IMPELLER HRM D.140 29P. PA66	1,00			--
0003	RCDS20417		BUSHING KSM	1,00			--
0004	VTAE33647		CIRCLIP D. 19 UNI 7435	1,00			--
0005	FGGT49223		JOINT KSM/P190 2V. PP	1,00			--
0006	PPGS40011		FUEL PUMP DNF BFA 01R3L1	1,00			--
0007	RCVR40113		HOSE FITTING 1/8 M D. 5- 7 NIK	1,00			--
0008	RCVR72873		HOSE FITTING "L" 1/4M - D.7 OT.NK	1,00			--
0009	FSVR11197		CLAMP D.I. 11 13315	2,00			--
0010	TBCO06945		L.P. HOSE D. 6-12 10BAR C.PRESS	0,11			--
0011	FTCO10912		FILTER FB 13/TA NYL.	1,00			--
0012	RCVR14014		BI-CONE CONNEC.DTT 1/8"M B1 D. 2/ 4 NIK	1,00			--
0013	MECB41542		CABLE DLT L= 700	1,00			--
0014	GUGO20124		GASKET KSM	1,00			--
0015	MPVR48497		CONVEYOR P190 PA6 BK.	1,00			--
0016	MPVR21415		CLIP KSM	2,00			--
0017	VTVR20127		CLIP KSM	5,00			--
0018	TBCO06945		L.P. HOSE D. 6-12 10BAR C.PRESS	0,60			--
0019	FSVR00427		CLAMP D. 12 CLIC 66-110	2,00			--
0020	VTAE40007		CIRCLIP D. 15 UNI 7434 ZC	1,00			--
0021	VTVR21457		KEY 6X 6X45 U.6604	1,00			--



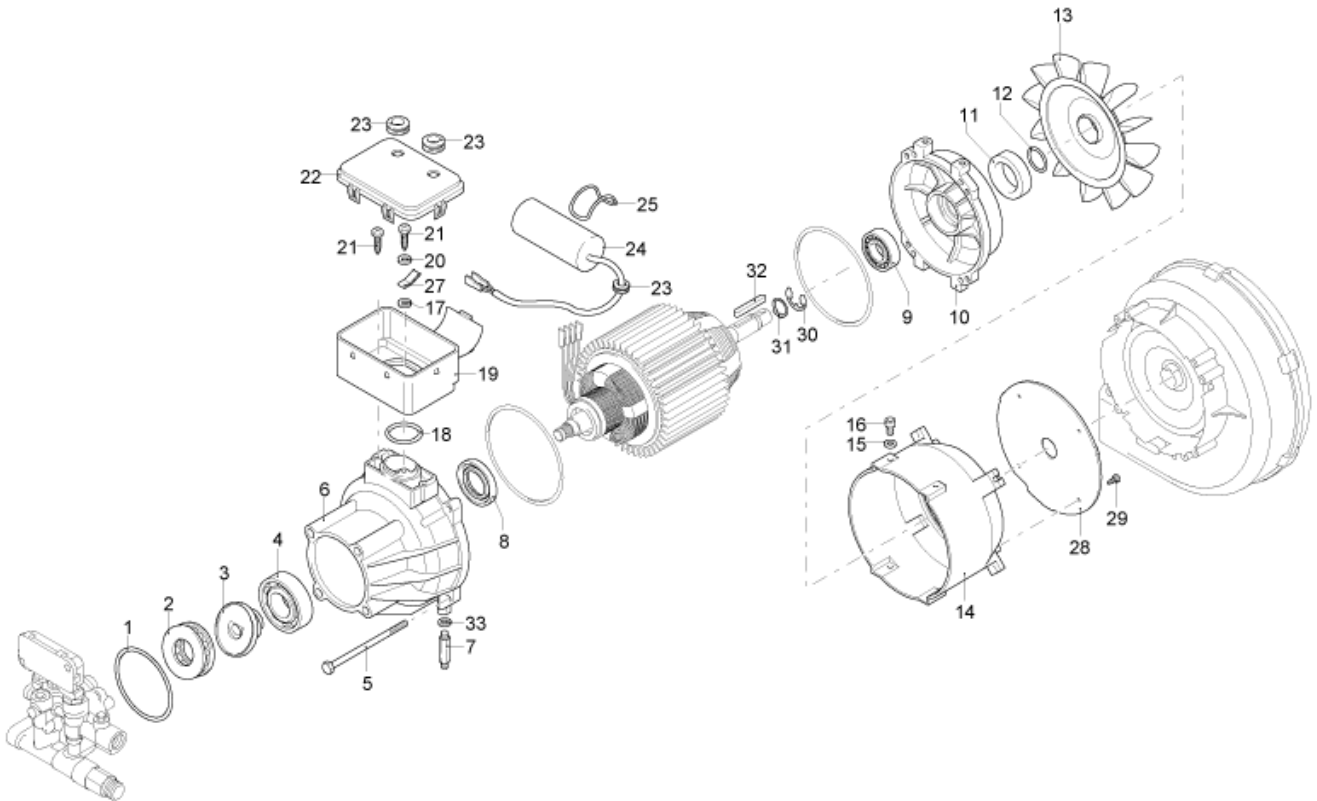
Ref. K	Part N.	Customer Part N.	Description	Qty	Validity:		Price
					From	To	
0001	RCVR46787		NOZZLE HOLDER 1/4-1/4 F MV	1,00			--
0002	PVVR40449		PROTECTION L.S. MV113	1,00			--
0003	RCIN40036		MALE COUPLING 1/4F -M22 L.25	1,00			--
0004	LCPR40119		TUBE 1/4 L=500 ZC. 20°	1,00			--



Ref.	K	Part N.	Customer Part N.	Description	Qty	Validity: From To	Price
0001		VTVT28306		SCREW TCEI 8X45 UNI5931	3,00		--
0002		MFVR40059		HEAD AR C23 OT	1,00		--
0003		PVVR40086		CAP EI G 1/4 HRM	1,00		--
0004		PVVR40087		CAP AR HRM	2,00		--
0005	S	GUGO09720		O-RING D. 14 X 1.78 NBR 70SH	6,00		--
0006	S	VVAM40001		VALVE UNIT HRM	6,00		--
0007	S	GUVR40030		PACKING D. 12 HRM	6,00		--
0008	S	GUGO08182		O-RING D. 21.91 X 1.78 NBR 70SH	3,00		--
0009		PVVR40088		PACKING RETAIN.D. 12 HRM	3,00		--
0010		PVVR40089		INTERMED. RING D. 12 HRM	3,00		--
0011	S	GUGO40010		OIL SEAL D. 12 HRM	3,00		--
0012		VTVT01573		SCREW TCEI 8X25 UNI5931	1,00		--
0013		PVVR40090		PISTON FLANGE HRM	1,00		--
0014		GUGO03500		O-RING D. 6.75 X 1.78 NBR 70SH	1,00		--
0015	S	GUGO08071		O-RING D. 4.48 X 1.78 NBR 70SH	1,00		--
0016		PVVR40073		VALVE SEAT 1/8M +PG. D.8 AR	1,00		--
0017		SFVR04274		BALL D. 7/32	1,00		--
0018		MLML40008		SPRING D. 4	1,00		--
0019		GUGO12494		O-RING D. 4 X 2.5 -NBR 70SH	1,00		--
0020		PVVR40091		COUPLING AR HRM	1,00		--
0021		MLML40034		SPRING BY PASS	1,00		--
0022	S	GUGO63403		O-RING D. 8.73 X 1.78 NBR 70SH	2,00		--
0023		PVVR40359		INJECTOR G151	1,00		--
0024		PVVR40092		CONNECTOR AR HRM	1,00		--
0025		MLML40010		SPRING AR HRM	3,00		--
0026	S	PIVR40014		PISTON D.12 HRM	3,00		--
0027		PVVR40093		RING D.12 HRM	3,00		--
0028	S	GUGO01036		O-RING D. 10.82 X 1.78 NBR 70SH	1,00		--
0029		PVVR40129		CAP 1/4 M RC	1,00		--
0031		KTRI40229		KIT P 15-510 PISTON+SPRING TST	1,00		--
0032	S	GUGO01062		O-RING D. 3.69 X 1.78 NBR 70SH	1,00		--
0033		PVVR40097		PISTON GUIDE AR TSS	1,00		--
0034		LAFN40212		PLUG "U" AR TSS	1,00		--
0035		MEPF40005		PRESSURE SWITCHAR TSS 220V N.A.	1,00		--
0036		PVVR40413		CAP AR HRM + FORO 1/8G	1,00		--
0037		RCDS40060		NIPPLE G 3/4NH HRM	1,00		--
0038		PVVR40413		CAP AR HRM + FORO 1/8G	1,00		--
0039		RCDS19214		CAP 1/8 M	1,00		--



Ref. Part N.	Cust. Part N.	Description	Reference	Price
KTRI40079		KIT P 15-2233 HRM	0006	--
KTRI40081		KIT P 15-42124 HRM	0011	--
KTRI40289		KIT P 15-2313 HRM	0026	--
KTRI40332		KIT P 15-42438 O-RING HRM-H28	0005 0007 0008 0015 0022 0028 0032	--



Ref. K	Part N.	Customer Part N.	Description	Qty	Validity:		Price
					From	To	
0001	GUGO02261		O-RING D. 71.12 X 2.62 NBR 70SH	1,00			--
0002	CUVR40006		BEARING AR HRM	1,00			--
0003	PVVR40448		CAP HRM 13.5°	1,00			--
0004	CUVR28336		BALL BEARING 6304	1,00			--
0005	VTVT40050		SCREW TE M 5X110	4,00			--
0006	MFVR40016		PUMP CRANKCASE AR HRM	1,00			--
0007	PVVR40416		COLUMN AR	1,00			--
0008	GUVR40082		PACKING OIL HRM	1,00			--
0009	CUVR10025		BALL BEARING 6004-2Z	1,00			--
0010	MFVR40065		SHIELD H 80 HRM-H28	1,00			--
0011	GUGO40011		OIL SEAL HRM	1,00			--
0012	GUGO11652		O-RING D. 12.42 X 1.78 NBR 70SH	1,00			--
0013	VEVR40009		MOTOR FAN FB 80 D.19	1,00			--
0014	MPVR40785		CONVEYOR AR HRM-H28	1,00			--
0015	VTRS00502		WASHER D. 5 0.466 UNI 6592	2,00			--
0016	VTVT01113		SCREW TCEI 5X16 UNI5931	2,00			--
0017	VTRS00501		WASHER D. 4 0.232 UNI 6592	1,00			--
0018	GUGO31518		O-RING D. 31.42 X 2.62 NBR 70SH	1,00			--
0019	MPVR40640		CONTROL BOX AR HRM-O	1,00			--
0020	VTRS00501		WASHER D. 4 0.232 UNI 6592	1,00			--
0021	VTVT67356		SCREW M 4X 12 TCB TC TRIL.	3,00			--
0022	MPVR40168		BOX COVER AR HRM	1,00			--
0023	MEVR40176		FAIR-LEAD HRM-H28	3,00			--
0024	MECO40021		CAPACITOR 40 MF D.50X97	1,00			--
0025	GUGO09674		O-RING D. 48.90 X 2.62 NBR 70SH	1,00			--
0027	MEVR40129		CONNECTOR AR	1,00			--
0028	MPVR40786		SEPARATOR HRM-H28 AR	1,00			--
0029	VTVT01520		SCREW AB 4,2X 9,5 UNI 6954-71	3,00			--
0030	VTAE33647		CIRCLIP D. 19 UNI 7435	1,00			--
0031	VTAE40007		CIRCLIP D. 15 UNI 7434 ZC	1,00			--
0032	VTVR21457		KEY 6X 6X45 U.6604	1,00			--
0033	VTRS40029		WASHER D. 6,2x15x3 ZB	2,00			--