



IPC Integrated Professional Cleaning

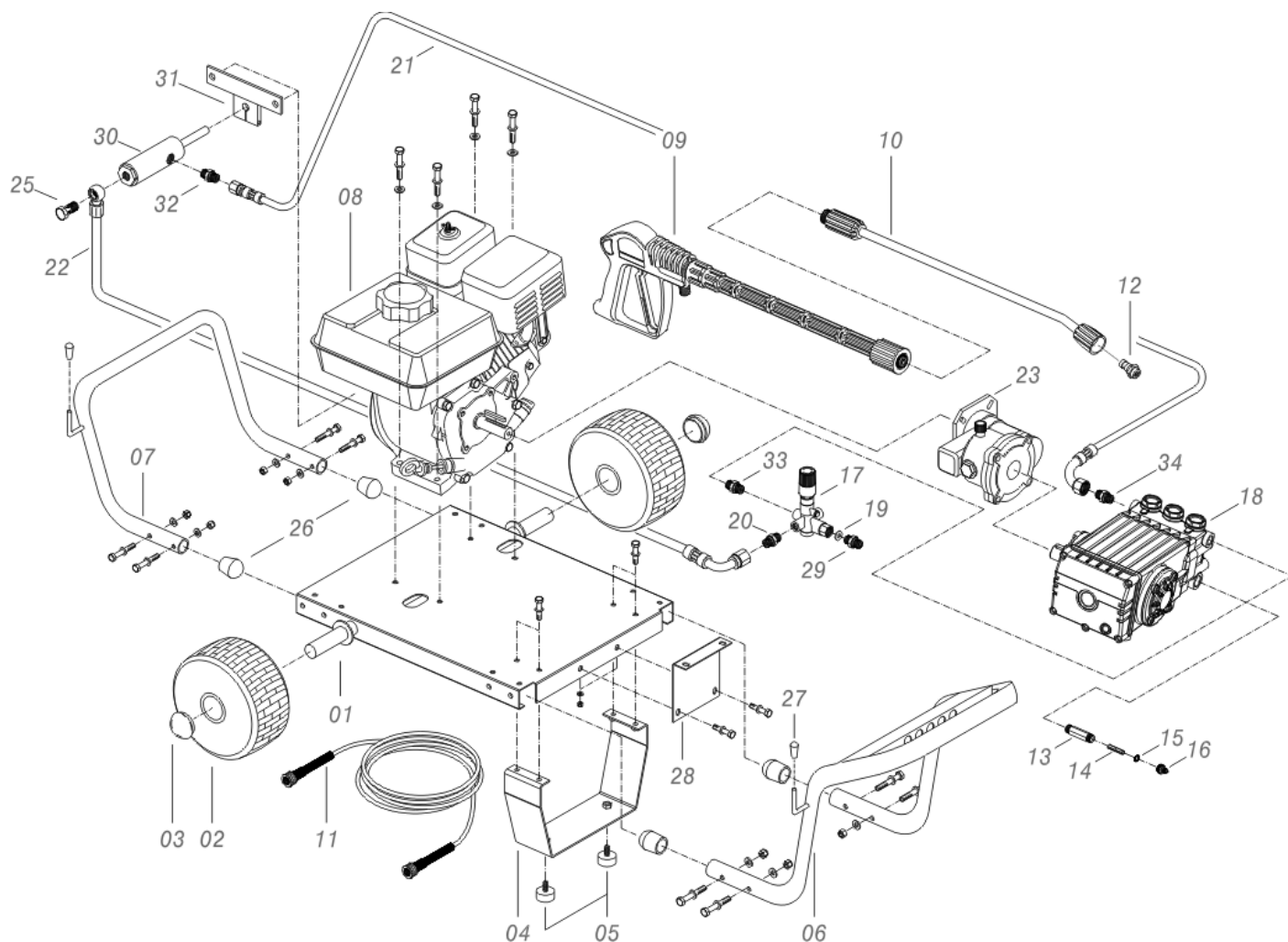
IPC Portotecnica

Spare Parts List

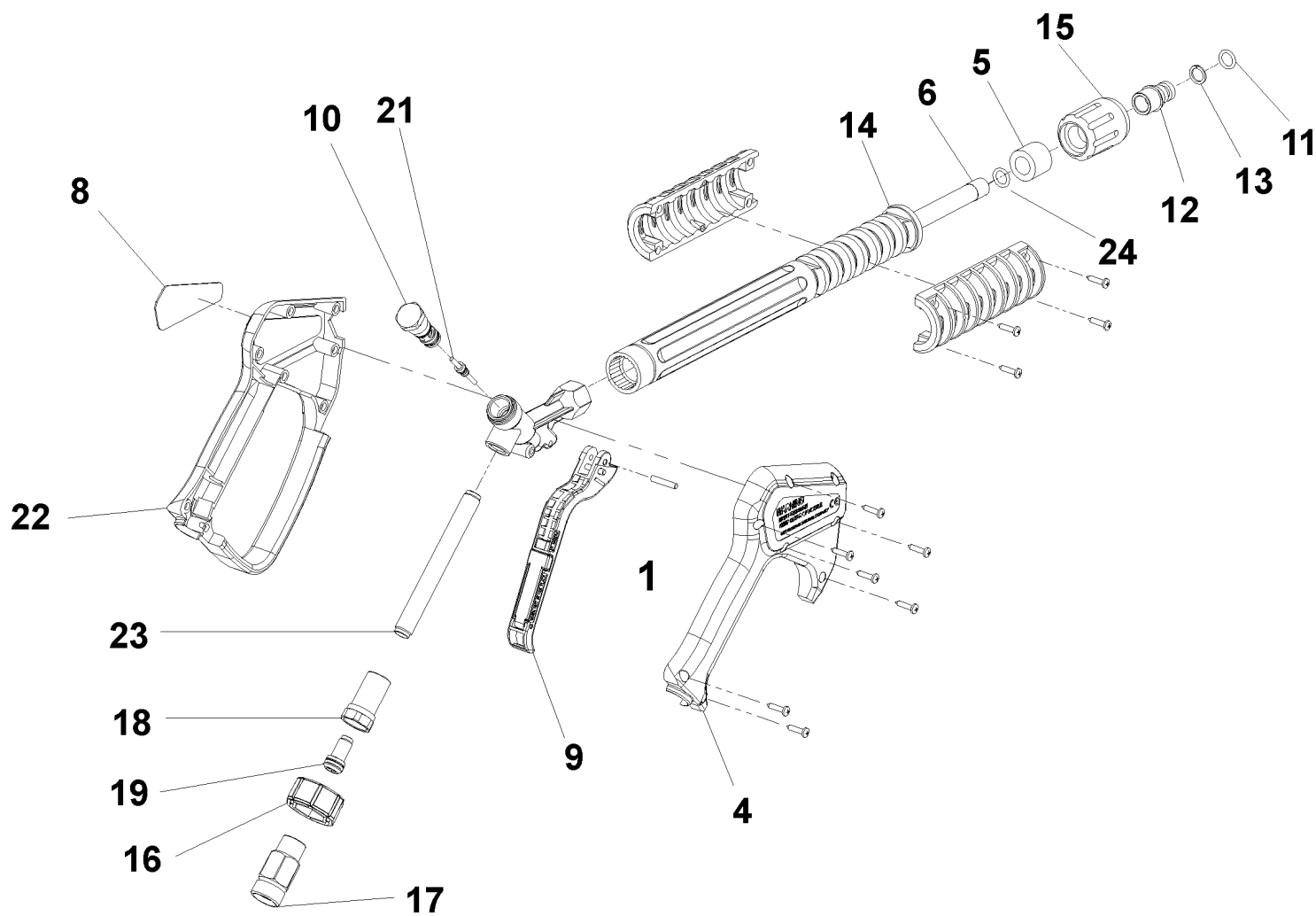
IPF ENGINEERING LTD

Ref: IDAF40095

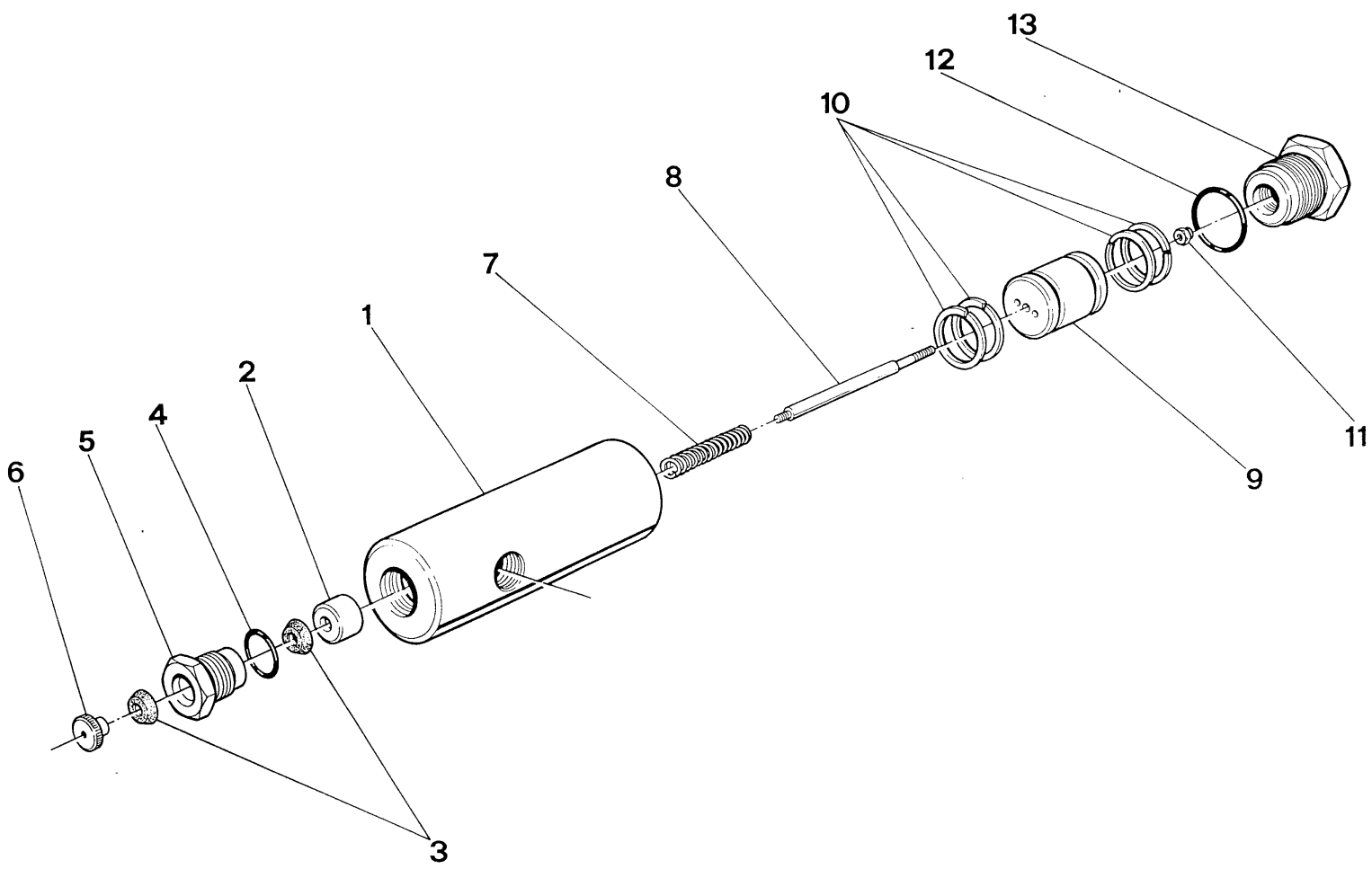
Model: IDROP BENZ LS 2980P/DL 3-01PRT



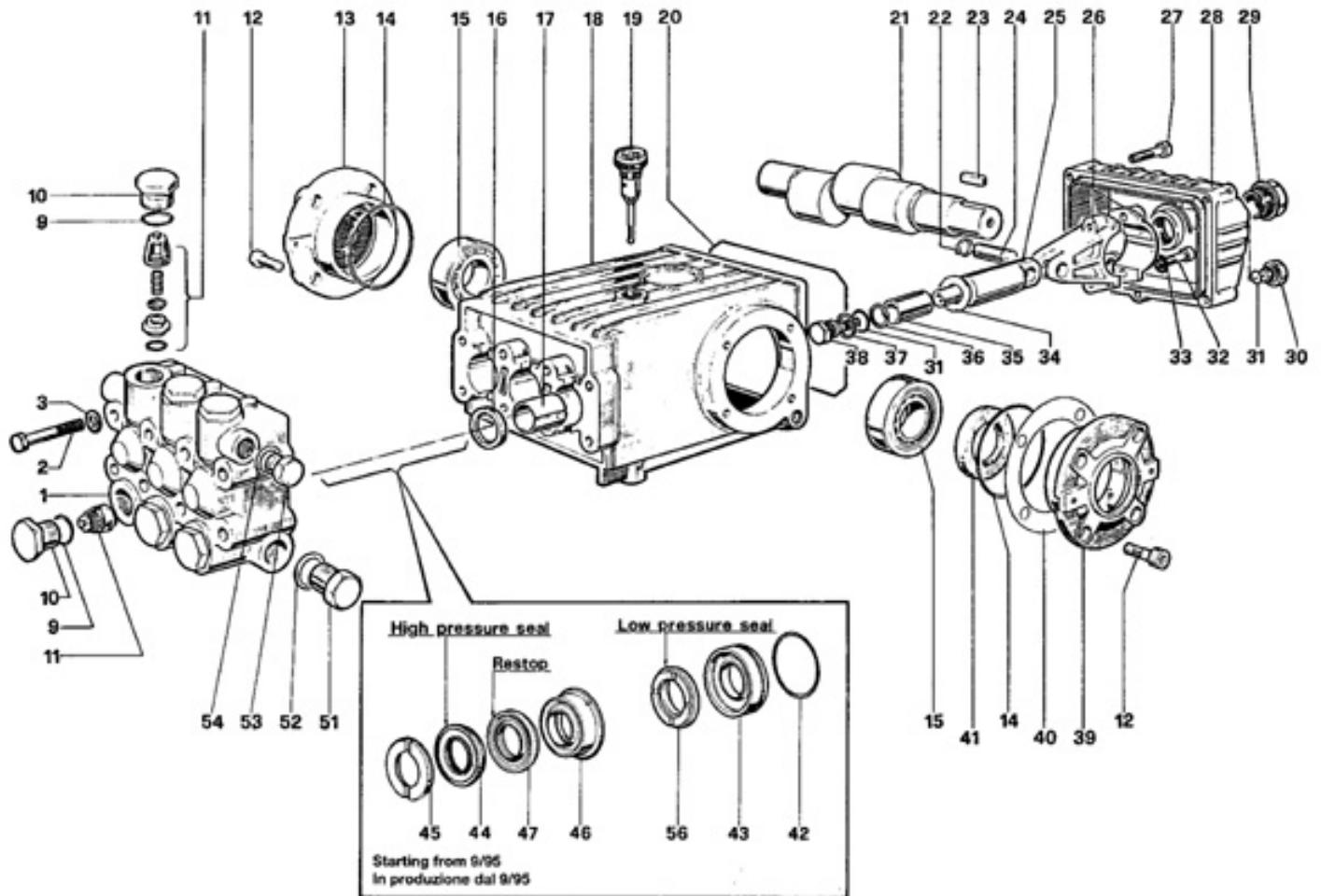
Ref.	K	Part N.	Customer Part N.	Description	Qty	Validity:		Price
						From	To	
0001	LAFN40179			CHASSIS BENZ HP 9-13	1,00			--
0002	RTRT40006			WHEEL D. 13.5"X 6/ 6 -D.25 PN.	2,00			--
0003	VTVR01268			HUB CAP D. 25	2,00			--
0004	LAFN40181			FOOT BENZ HP 9-13	1,00			--
0005	MPVR60726			VIBRATION DAMP.TCC48X25- 1M8X16 60SH GMM	2,00			--
0006	LAFN40188			HANDLE BENZ HP 9-13	1,00			--
0007	LAFN40183			BUMPER BENZ HP 9-13	1,00			--
0008	MOSC40002			ENGINE MOTOR HONDA GX390 UT2 QX Q4 OH	1,00	10/2011		--
0008	MOSC71925			ENGINE MOTOR HONDA GX390 QX 13HP AV.MA	1,00		09/2011	--
0009	IPPR89429			GRIP G 4500 - P.330 -M22SW.M V	1,00			--
0010	LCPR40013			EXTENSION P 70 - HYPERJET 1/4F	1,00			--
0011	TBAP25324			H.P. HOSE R1 MT 10 5/16" C/2 IRV ZC	1,00			--
0012	UGLN49995			NOZZLE LECH 1/4 25065	1,00			--
0013	RCDS46109			NIPPLE 3/4 - 1/2 RYL INX	1,00			--
0017	VVAZ40004			VALVE BP 93 C/M.310B. 3/8-1/4F	1,00			--
0018	PPAP42822			PUMP WS132 DX LT 18-120 B. USA	1,00			--
0019	VTRS00548			WASHER D.17,5X23X1,5 (3/8)RM	1,00			--
0020	RCDS00607			NIPPLE 1/4 - 1/4 SV	1,00			--
0021	TBAP40031			POLYAMIDE HOSE 1/4 L=430 1/4F -1/4F 90°	1,00			--
0022	TBAP40032			POLYAMIDE HOSE 1/4 L=580 1/4OC -1/4F 90°	1,00			--
0023	RDGR40000			REDUCTION UNIT PA B18H HP 11-18	1,00		10/2010	--
0023	RDGR40001			REDUCTION UNIT RS 500H	1,00	10/2010		--
0025	RCDS02612			SCREW G 1/4 A.P.	1,00			--
0026	MPVR01697			PROD D.30 1.02.109	4,00			--
0027	MPVR32471			PROD D. 8 BK	2,00			--
0028	LAFN40193			SUPPORT BRACKETBENZ HP 13.0 LS	1,00			--
0029	RCIN09348			MALE COUPLING 3/8MA L=32	1,00			--
0030	KTRI10685			KIT P 14- 53	1,00	04/2009		--
0031	LAFN11807			BRACKET SF/HONDA	1,00			--
0033	RCDS12121			NIPPLE 3/8 - 3/8 SV/CN	1,00			--
0034	RCDS00609			NIPPLE 1/2 - 1/4 SV	1,00			--



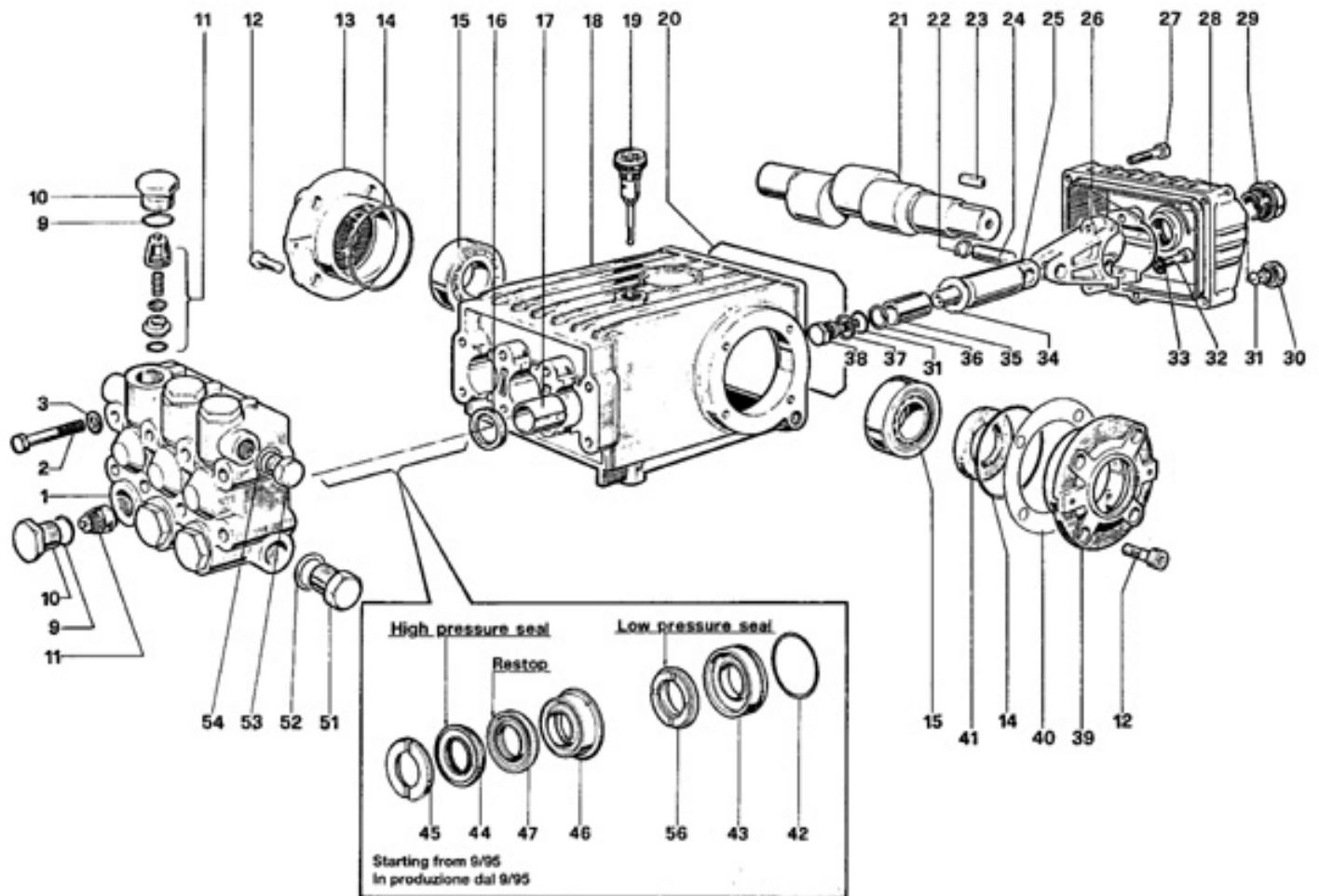
Ref. K	Part N.	Customer Part N.	Description	Qty	Validity:		Price
					From	To	
0001	VTVR46568		PLUG G 4500	1,00			--
0004	MPVR40157		COVER G 4500 2V.	1,00	05/2008		--
0004	MPVR46563		COVER G 4500	1,00		04/2008	--
0005	MPVR46572		SPACER P 330 ST	1,00			--
0006	LCPR40007		TUBE 1/4 L=352 ZC. 2V.	1,00	05/2008		--
0006	LCPR46571		TUBE 1/4 L=352 ZC.	1,00		04/2008	--
0008	MPVR46569		PLATE G 4500 RD.	1,00			--
0009	MPVR40057		TRIGGER G 4500 -SW	1,00			--
0010	PVVR40030		SMALL PISTON TM ST-2300	1,00			--
0011	GUGO10384		O-RING D. 10 X 2.2 VIT 80SH	1,00			--
0012	RCVR13030		GUDGEON G 1/4 F L=31.5	1,00			--
0013	GUVR10526		ANTI-EXTR.RING D.13.9X10.2 C.BZ	1,00			--
0014	MPVR46570		PROTECTION P 330 ST	1,00			--
0015	PVVR13445		CONNECTION M 22X1.5 L=45	1,00			--
0016	MPVR40058		RING NUT G4500 SW.	1,00			--
0017	RCIN40001		JOINT SWIV 4500 3/8"F	1,00		04/2008	--
0017	RCIN40005		JOINT SWIV 4500 3/8"F 2V.	1,00	05/2008		--
0018	RCIN31641		CONNECTOR SWIV 1500 F	1,00			--
0019	KTRI31645		KIT P 26- 14	1,00			--
0021	PVVR40031		ROD ST-2300	1,00			--
0022	MPVR40156		SHELL G 4500 2V.	1,00	05/2008		--
0022	MPVR46562		SHELL G 4500	1,00		04/2008	--
0023	PVVR40023		TUBE G 1/4" M/M P/SW.	1,00			--
0024	GUGO27021		O-RING D. 11 X 2.5 EPD 70SH	1,00	05/2008		--



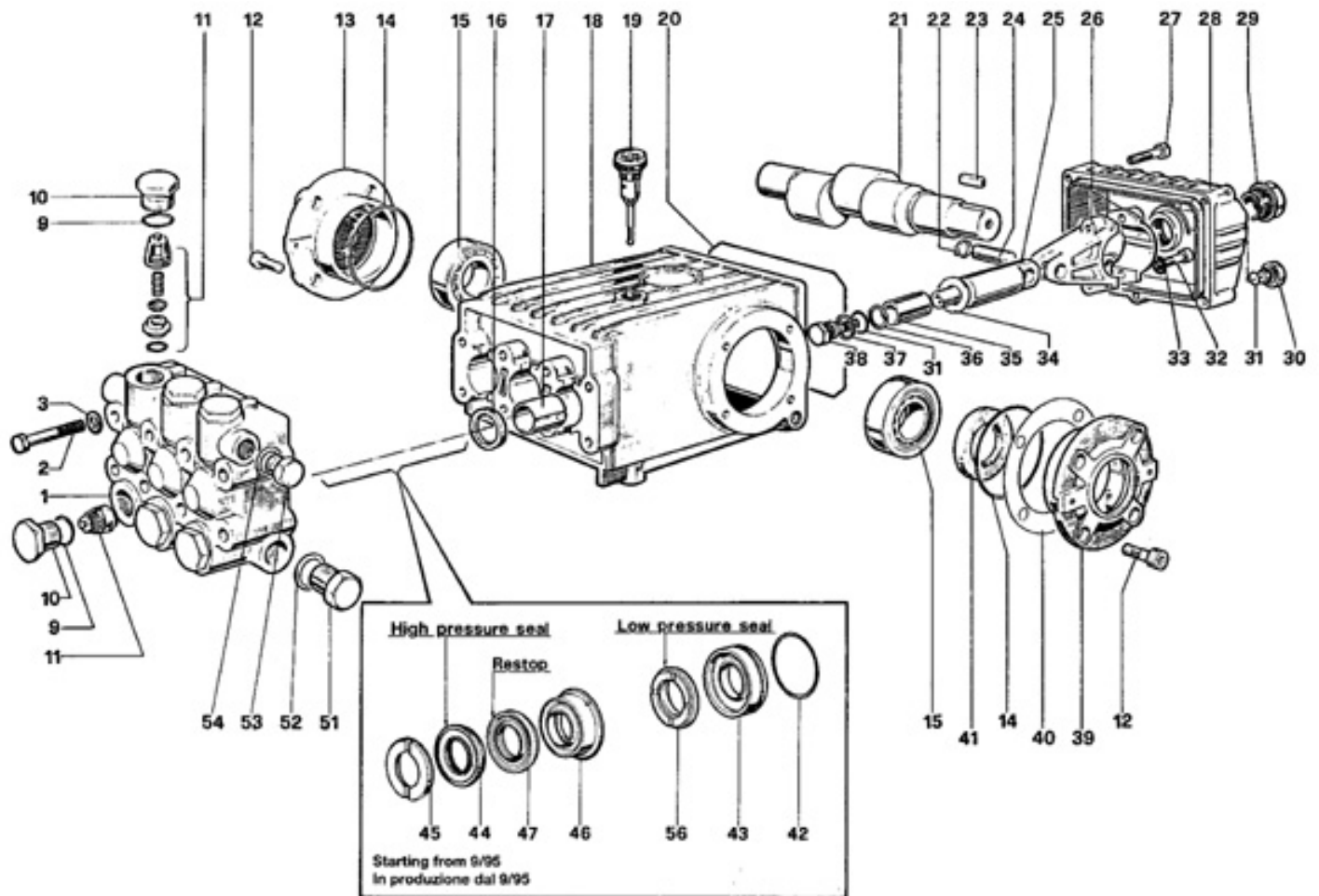
Ref.	K	Part N.	Customer Part N.	Description	Qty	Validity:		Price
						From	To	
		GUGO09720		O-RING D. 14 X 1.78 NBR 70SH	1,00			--
		LAFN12871		EXTENSION SF/B HONDA	1,00			--
0001		RCDS08187		BODY	1,00			--
0002		RCDS08188		SPRING GUIDE	1,00			--
0003		GUGO08189		GASKET GACO U037018	2,00			--
0004		GUGO08190		O-RING	1,00			--
0005		RCDS08191		CAP M 16X1,5	1,00			--
0006		PVVR12870		PAWL M 4 G400	1,00			--
0007		MLML08186		SPRING D.1-7,3 L31,5	1,00			--
0008		PVVR12869		ROD M 4.5 G400	1,00			--
0009		RCDS08184		SMALL PISTON	1,00			--
0010		PVVR08183		SPLIT RING D.22-18X1,5	4,00			--
0011		VTDD09556		NUT M3 TEFLON	1,00			--
0012		GUGO08182		O-RING D. 21.91 X 1.78 NBR 70SH	1,00			--
0013		PVVR08181		CAP M 24X1	1,00			--



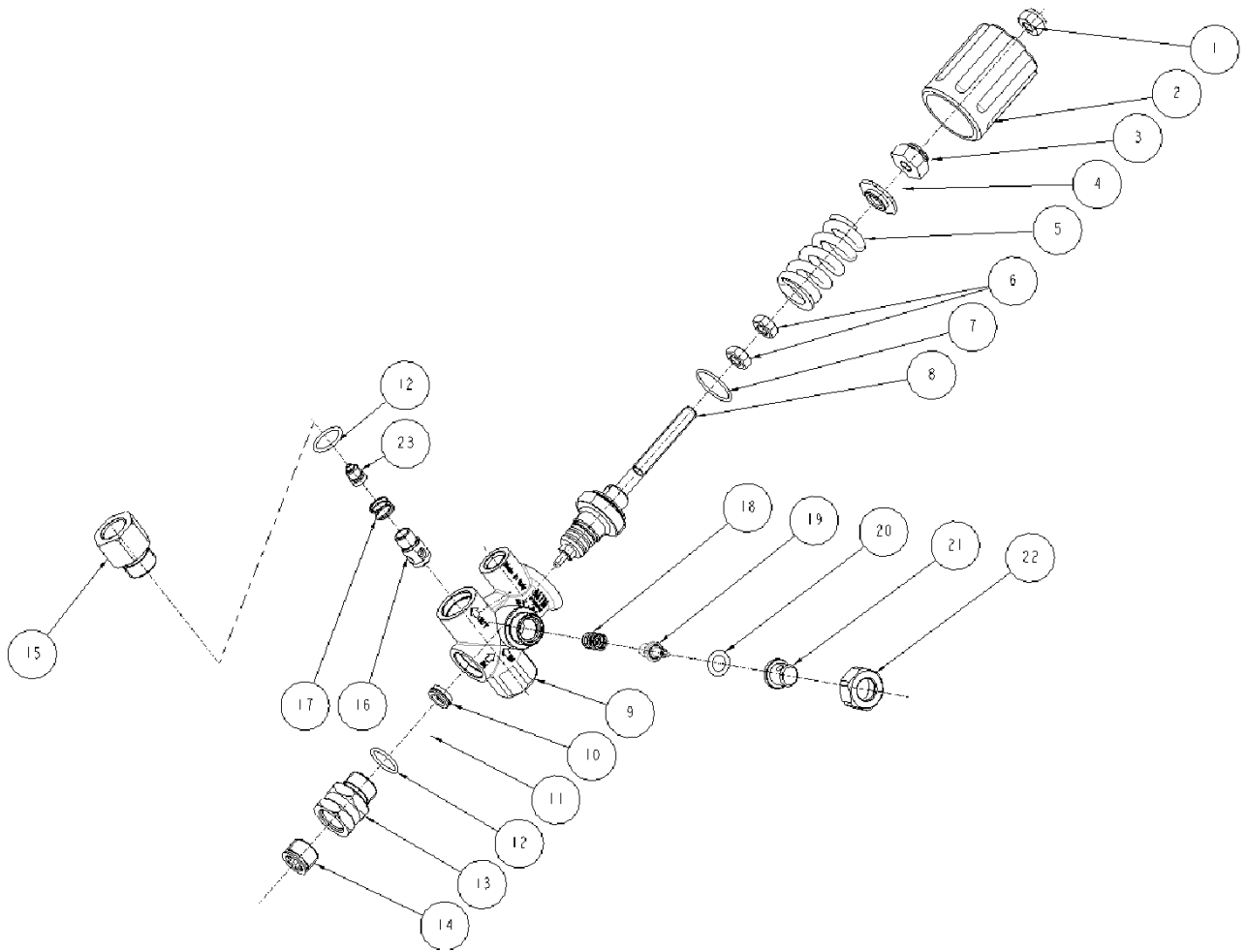
Ref.	K	Part N.	Customer Part N.	Description	Qty	Validity:		Price
						From	To	
0001		MFVR01097		HEAD W 151	1,00			--
0002		VTVT01111		SCREW TE M 8X70 UNI 5737 A.10.9	8,00			--
0003		VTRS01072		WASHER D. 8 TC	8,00			--
0009	S	GUGO01033		O-RING D. 20.24 X 2.62 NBR 90SH	6,00			--
0010	S	RCDS01087		CAP M24X2X16 OTT	6,00			--
0011	S	VVAM01104		VALVE UNIT W 70-151	6,00			--
0012		VTVT01118		SCREW TCEI M 8X16 ZC. UNI 5931	8,00			--
0013		MFVR03576		CRANKASE COVER W151	1,00			--
0014		GUGO01041		O-RING D. 67.95 X 2.62 NBR 70SH	2,00			--
0015		CUVR09205		ROLLER BEARING 32206 A	2,00			--
0016	S	GUGO01000		OIL SEAL 22X 32X 5 NBR70	3,00			--
0017		PVVR01011		BUSHING W 151	3,00			--
0018		MFVR01013		PUMP CRANKCASE W 151	1,00			--
0019		PVVR01092		OIL DIPSTICK W 151	1,00			--
0020		GUGO34590		O-RING D. 133.02 X 2.62 NBR 70SH	1,00			--
0021		ALMO41530		SHAFT TS 1511 USA	1,00			--
0022		VTAE14016		CIRCLIP D. 12 UNI 7435	6,00			--
0023		VTVR41531		KEY 8X 7X35 UNI 6604A	1,00			--
0024		PVVR01085		GUDGEON D.13X35 W151	3,00			--
0025		PVVR01029		PISTON GUIDE W 151	3,00			--
0026		BLVR01009		CONNECTING ROD W 151	3,00			--
0027		VTVT01116		SCREW TCEI 6X30 UNI5931	5,00			--
0028		MFVR03582		CRANKASE COVER W 151 POS	1,00			--
0029		PVVR01083		OIL INDICATOR G 3/4 W70-151	1,00			--
0030		RCDS01088		CAP 1/4X 9 M WW90	1,00			--
0031	S	GUGO01036		O-RING D. 10.82 X 1.78 NBR 70SH	4,00			--
0032		VTVT01120		SCREW TCEI 8X35 UNI5931	6,00			--
0033		VTRS14242		WASHER D. 8.4X13X0.8 UNI7064 SCH	6,00			--
0034	S	VTRS01753		WASHER D.14X28 X0,5	3,00			--
0035		PIVR01067		PISTON D.22X50 W 132	3,00			--
0036	S	GUVR00994		ANTI-EXTR.RING W151	3,00			--
0037	S	VTRS01076		WASHER D.14X18,5X0,5	3,00			--
0038	S	PVVR01107		PISTON BOLT IP W151	3,00			--
0039		MFVR03583		CRANKASE COVER W151	1,00			--
0040		PVVR01016		THICKNESS 0,1 W 151	2,00			--
0041	S	GUGO01003		OIL SEAL 30X 55X 7 NBR70	1,00			--
0042	S	GUGO01042		O-RING D. 34.6 X 1.78 NBR 70SH	3,00			--
0043	S	PVVR00978		PACKING RETAIN.W132	3,00			--
0044	S	GUVR00982		PACKING W132	3,00			--



Ref.	K	Part N.	Customer Part N.	Description	Qty	Validity:		Price
						From	To	
0045	S	PVVR00986		HEAD RING W132	3,00			--
0046	S	PVVR34588		INTERMED. RING W 132 D. 22	3,00			--
0047	S	GUVR34586		PACKING D. 22 RESTOP	3,00			--
0051		RCDS01091		CAP 1/2X10 M	1,00			--
0052		VTRS01075		WASHER D.21,5X27 ALL	1,00			--
0053		RCDS01090		CAP 3/8X13 M WW90	1,00			--
0054		VTRS01074		WASHER D.17,05X22,3 X1,5	1,00			--
0056	S	GUVR34584		PACKING W 132 L.P.	3,00			--



Ref. Part N.	Cust. Part N.	Description	Reference	Price
KTRI14900	KIT P	15- 3	0041	--
KTRI17793	KIT P	6	0031 0034 0036 0037 0038	--
KTRI17795	KIT P	4	0009 0010	--
KTRI17859	KIT P	1	0011	--
KTRI17860	KIT P	15- 2	0016	--
KTRI17878	KIT P	14	0042 0043	--
KTRI18588	KIT P	11	0045	--
KTRI18590	KIT P	29	0042 0043 0044 0045 0046 0047 0056	--



Ref. K	Part N.	Customer Part N.	Description	Qty	Validity:		Price
					From	To	
0001	VTDD89669		NUT M 8 X1 AUT. INX A2	1,00			--
0002	MPVR40002		KNOB BP9 BK.	1,00			--
0003	VTDD88134		NUT M 8 BY-PASS BP91	1,00			--
0004	PVVR88140		SPRING PLATE BP91	1,00			--
0005	MLML40014		SPRING D.15.6 X27 L=51.5 310B.	1,00			--
0006	VTDD40000		NUT M 8 X1 UNI5588 INX A2	2,00			--
0007	GUGO11652		O-RING D. 12.42 X 1.78 NBR 70SH	1,00			--
0008	PVVR40016		PUSH ROD BP9 CP.	1,00			--
0009	PVVR40107		VALVE BODY BP 93 3/8"	1,00			--
0010	PVVR88135		INSERT BY-PASS BP91	1,00			--
0011	SFVR88141		BALL D.17/32" AISI 440	1,00			--
0012	GUGO03505		O-RING D. 15.6 X 1.78 NBR 70SH	2,00			--
0013	PVVR88138		CONNECTOR EASY-ST. BP91	1,00			--
0014	PVVR88139		CAP 3/8 M BP91	1,00			--
0015	PVVR49638		CONNECTOR BP91 3/8F	1,00			--
0016	PVVR49636		SMALL PISTON BP91 C/OR	1,00			--
0017	MLML49637		SPRING BP91	1,00			--
0018	MLML40015		SPRING D. 9.2X18,26X1 BP 93	1,00			--
0019	PVVR40108		ELEMENT TH. BP 93	1,00			--
0020	GUGO28927		O-RING D. 9.13 X 2.62 NBR 70SH	1,00			--
0021	PVVR40109		CONNECTOR BP 93	1,00			--
0022	PVVR40110		RING NUT M18X1 BP 93	1,00			--