



IPC Integrated Professional Cleaning

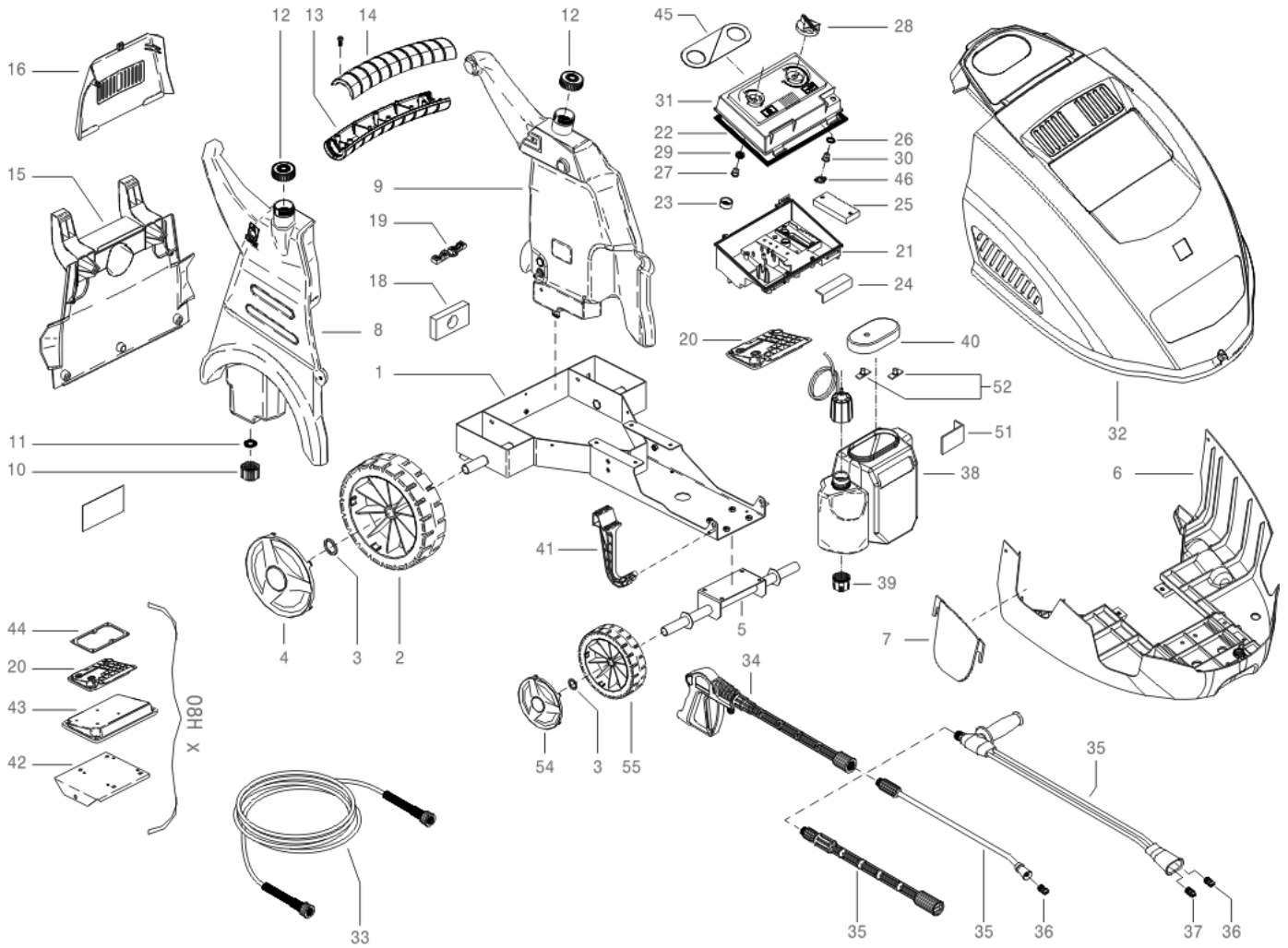
IPC Portotecnica

Spare Parts List

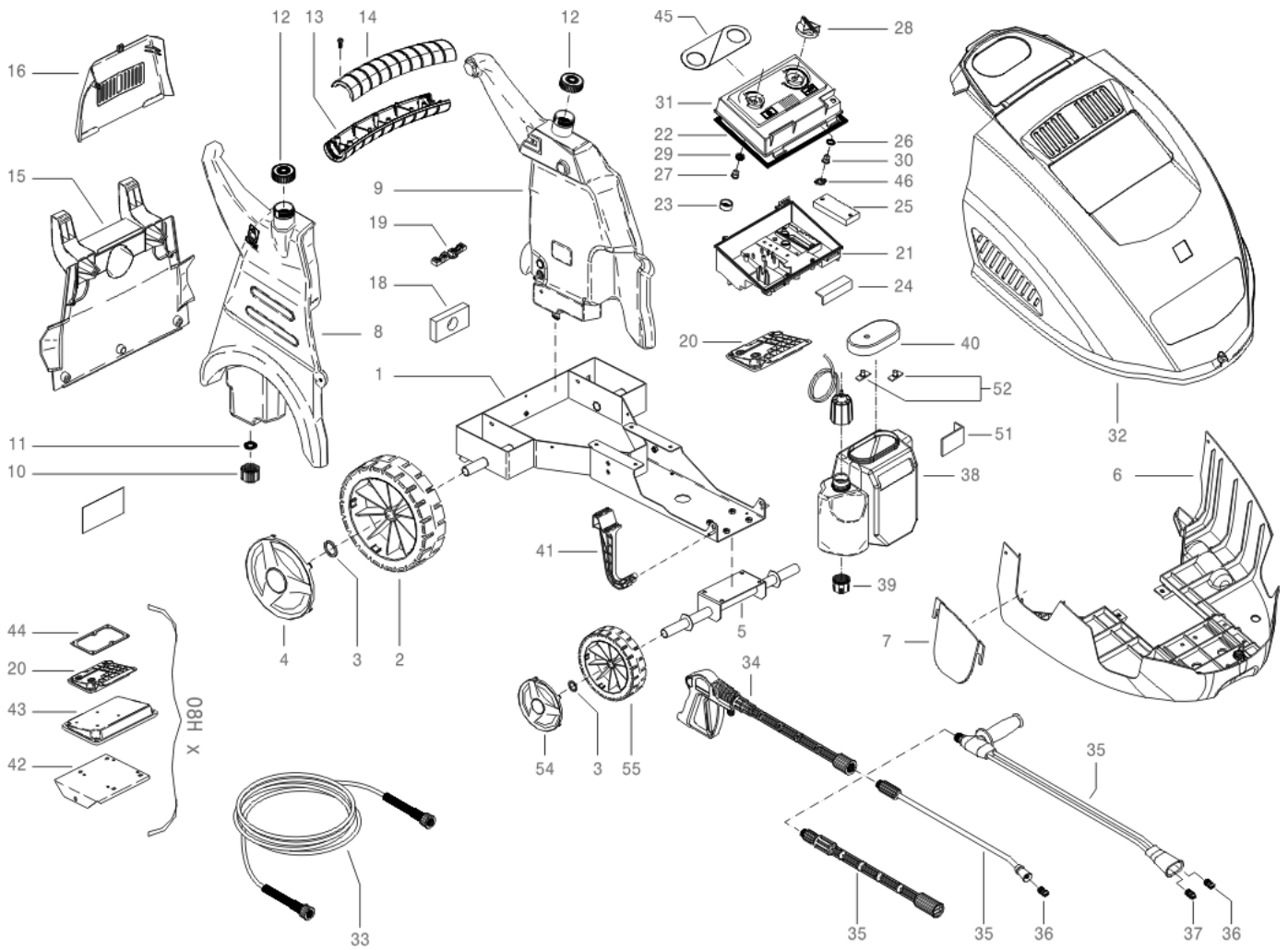
IPF ENGINEERING LTD

Ref: IDAC40149

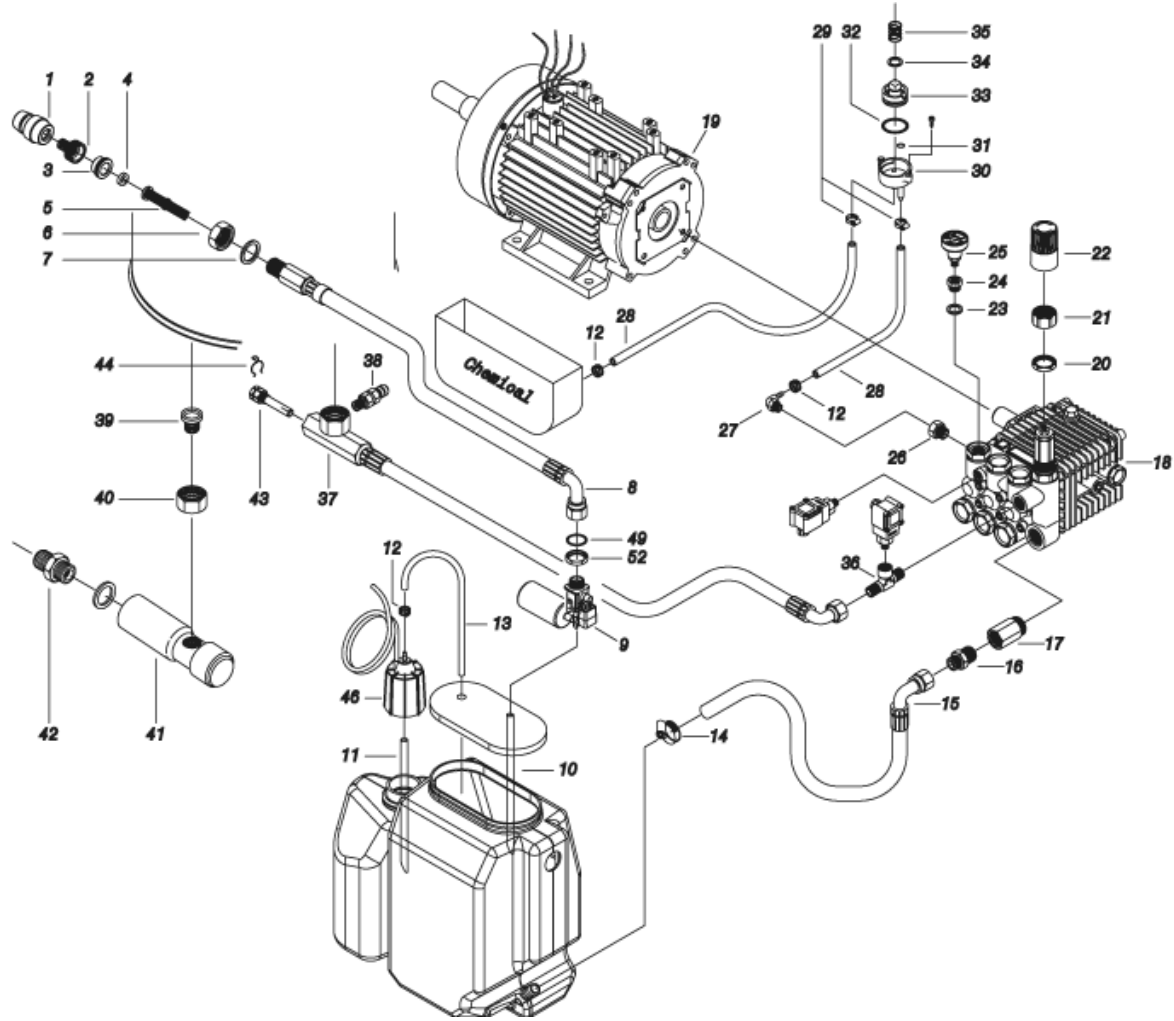
Model: IDROP CHALL.4W PDS1613 T 400/50 3-01IPF



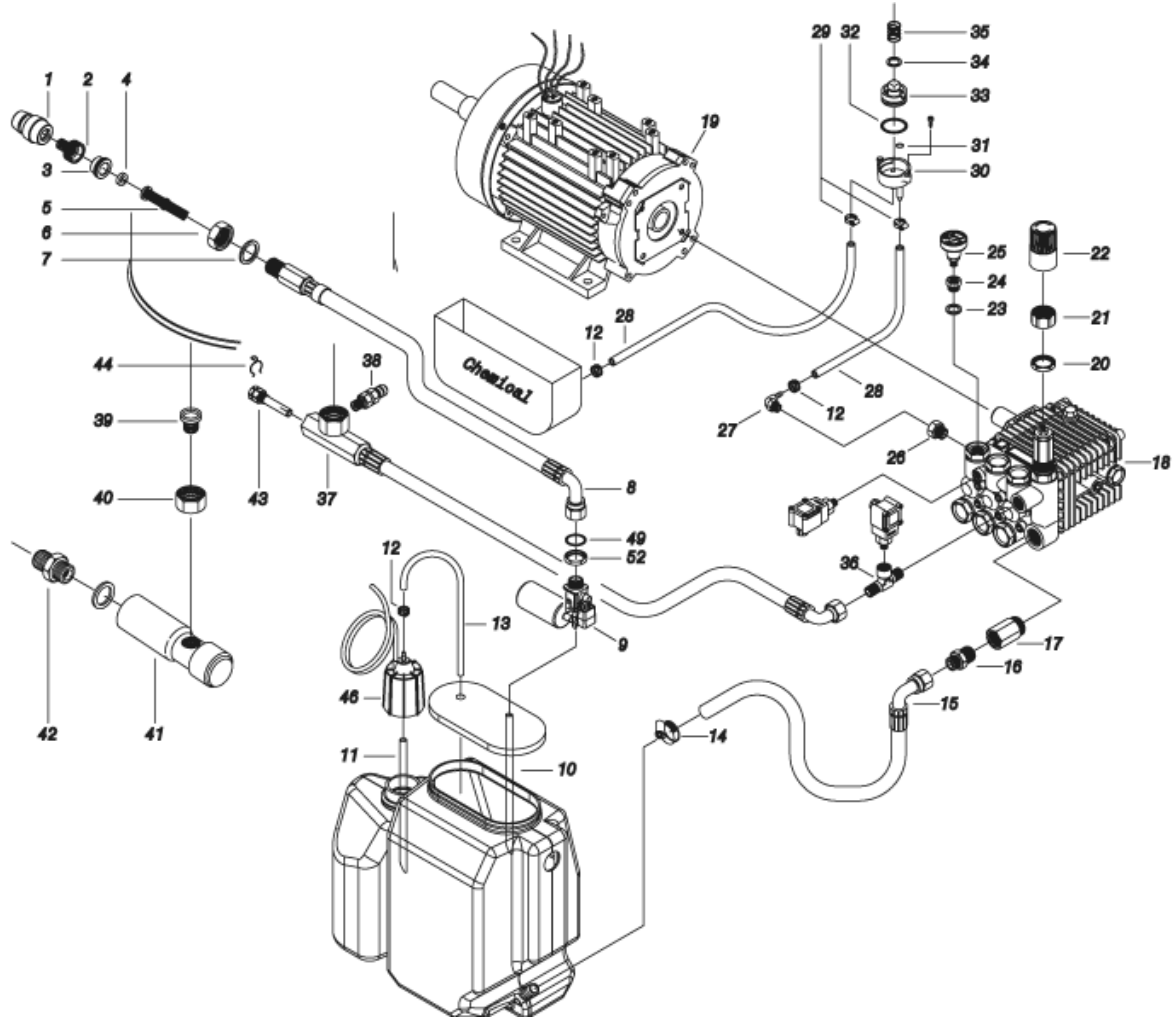
Ref.	K	Part N.	Customer Part N.	Description	Qty	Validity:		Price
						From	To	
0001		LAFN40170		CHASSIS P190-4W BK.	1,00		07/2010	--
0001		LAFN40289		CHASSIS P190-4W 2V. BK.	1,00	07/2010		--
0002		RTRT45383		WHEEL D.305-D.25 RT-IPC	2,00			--
0003		VTRS09813		WASHER D.25	4,00			--
0004		MPVR40124		RED WHEEL COVERD. 305 RT-HI	2,00			--
0005		LAFN40171		WHEELS AXLE P190-4W ANT.	1,00			--
0006		MPVR48384		COVER P190 PPL.BK	1,00			--
0007		MPVR48383		DOOR P190 PPL.BK	1,00			--
0008		MPVR48088		TANK P190 PEHD	1,00			--
0009		MPVR48087		FUEL TANK P190 PEHD	1,00			--
0010		PVVR11806		DISCHARGE CAP FLL	2,00			--
0011		GUGO11489		GASKET D.22X1,5	2,00			--
0012		MPVR45426		TANK CAP P176 PEHD	2,00			--
0013		MPVR48495		HANDLE P190 PA6 BK.	1,00			--
0014		MPVR48496		HANDLE P190 PA6 BK.	1,00			--
0015		MPVR48116		BACK PANEL P190 PPL BK.	1,00			--
0016		MPVR48390		BACK PANEL P190 PPL RD.	1,00			--
0019		MEVR33994		CABLE FASTNER 4228 B D. 6- 18	1,00			--
0020		MPVR47818		PLATE P190 PA6 BK.	1,00			--
0021		LAFN20138		CONTROL BOX KSM ABS BK.	1,00		05/2004	--
0021		LAFN20138		CONTROL BOX KSM ABS BK.	1,00	05/2004	12/2004	--
0021		MPVR87644		CONTROL BOX P190 C/F.THS NY.	1,00	05/2004	12/2004	--
0022		GUGO27129		JOINT 10X3	1,05			--
0024		LAFN30211		SUPPORT SLR	1,00	05/2004		--
0024		LAFN30211		SUPPORT SLR	1,00		05/2004	--
0024		LAFN48325		SUPPORT BRACKETP190 ZC	1,00	10/2010		--
0025		MPVR20143		CABLE CLAMP COVKSM	1,00			--
0026		GUGO01035		O-RING D. 13.95 X 2.62 NBR 70SH	1,00			--
0027		MPVR10083		TAIL PIECE OKA L=22	1,00		10/2010	--
0027		MPVR23482		TAIL PIECE TEC. TUV	1,00	10/2010		--
0028		MPVR46511		GREY KNOB KSM C/F.FIS.	2,00			--
0028		MPVR46511		GREY KNOB KSM C/F.FIS.	1,00			--
0029		GUGO23079		V-SEAL RING VA0014 13.5- 15.5	1,00			--
0030		MPVR23484		TAIL PIECE THERM.KSM TUV	1,00			--
0031		LAGR20140		BOX COVER KSM BK	1,00		12/2004	--
0031		MPVR88820		BOX COVER P190 C/F.THS BK.	1,00	01/2005		--
0032		MPVR48385		RED COVER P190 SUP. PP	1,00			--
0032		MPVR40129		COVER P190-4W PPL.BK	1,00			--
0033		TBAP25324		H.P. HOSE R1 MT 10 5/16" C/2 IRV ZC	1,00		05/2010	--



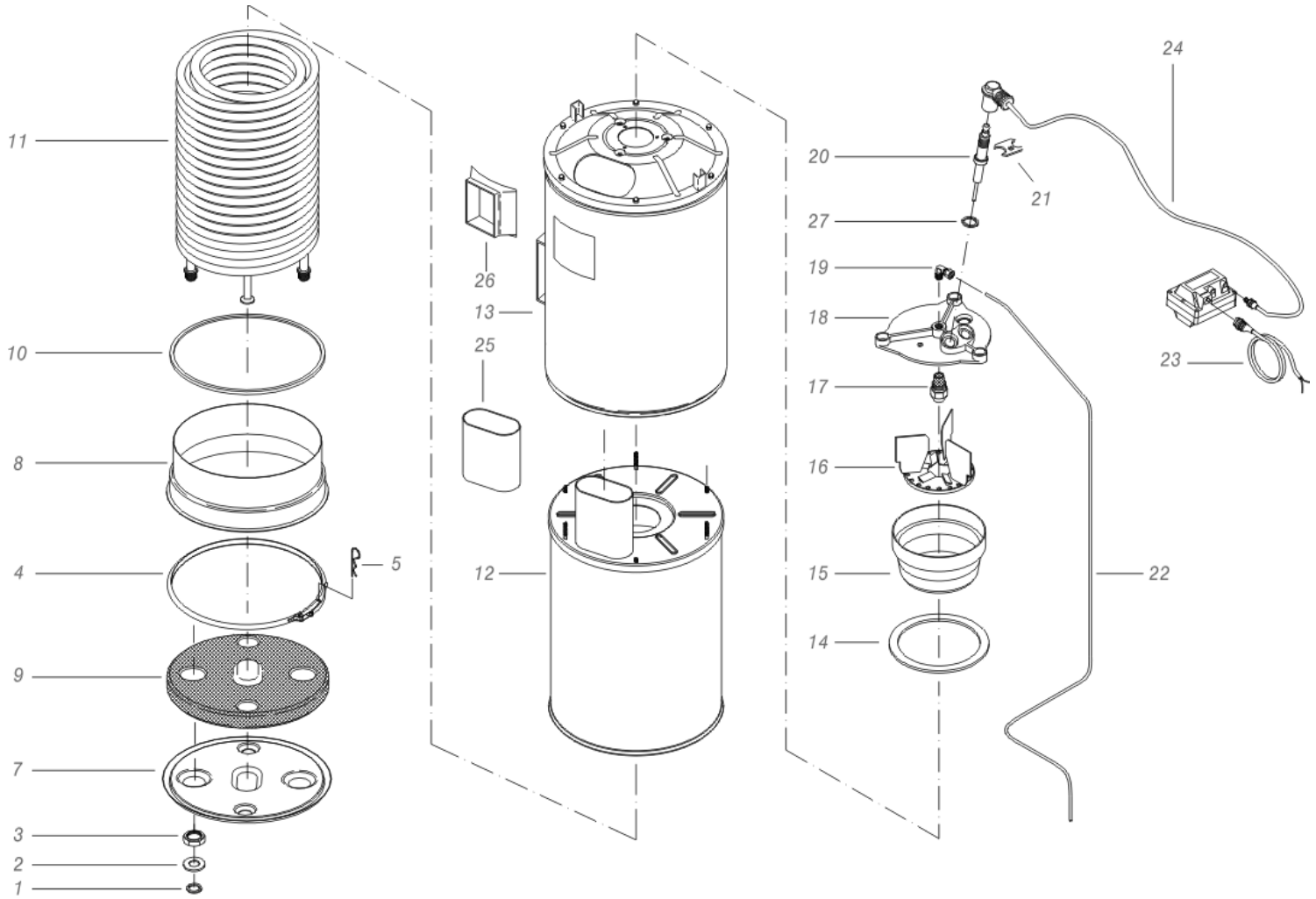
Ref.	K	Part N.	Customer Part N.	Description	Qty	Validity:		Price
						From	To	
0033		TBAP89958		H.P. HOSE R1 MT 15 5/16" C/2 IRV IX	1,00	05/2010		--
0034		IPPR40010		GRIP G 5100+P.330 +M22 SW.M V	1,00	04/2014		--
0034		IPPR89429		GRIP G 4500 - P.330 -M22SW.M V	1,00		04/2014	--
0035		LCPR12975		EXTENSION P 50	1,00		03/2007	--
0035		LCPR12976		EXTENSION P 70	1,00	03/2007		--
0036		UGLN49987		NOZZLE LECH 1/4 15045	1,00			--
0038		MPVR48108		WATER TANK P190 PEHD BK.	1,00		07/2005	--
0038		MPVR89076		WATER TANK P190-2V. PEHD BK.	1,00	07/2005		--
0039		MPVR20187		RING NUT M 39 X 3	1,00			--
0039		MPVR40155		RING NUT M 39 X 3 KSM RB.	1,00			--
0040		MPVR40516		TANK COVER P190-35 PA6 BL.	1,00	05/2015		--
0040		MPVR89077		TANK COVER P190 PA6 BL.	1,00	07/2005	04/2015	--
0041		MPVR47819		BRACKET P190 PA6 BK.	2,00			--
0045		ETET88759		LABEL P190-CHALL. GRY PLC	1,00			--
0046		MPVR41903		THICKNESS TERM.IM.PA66	1,00			--
0051		LAFN89079		PANEL P190 INX	1,00	07/2005		--
0052		MPVR89078		PLATE P190 PA6 BL.	2,00	07/2005		--
0053		MEVR27264		FUSE-HOLDER 031-1081	1,00			--
0054		MPVR40120		RED WHEEL COVERD. 260 RT-HI	2,00			--
0055		RTRT40005		WHEEL D.260-D.25 RT-HI	2,00			--
9999		KTRI48748		KIT P 35- 31 BK.	1,00			--



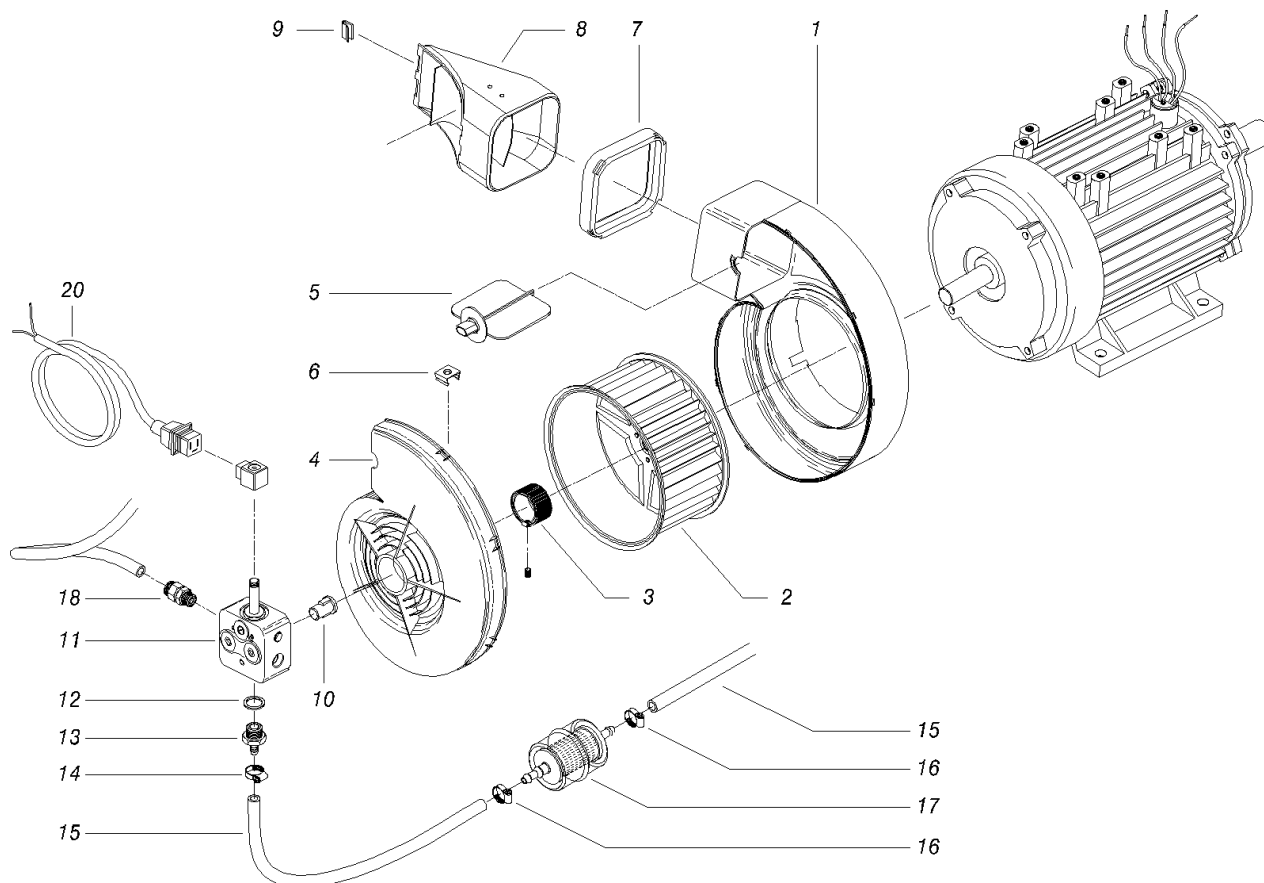
Ref.	K	Part N.	Customer Part N.	Description	Qty	Validity:		Price
						From	To	
0001		RCVR29602		CONNECTOR D. 1/2"-5/8" PTC	1,00			--
0002		RCVR29600		SOCKET PTC 3/4 F	1,00			--
0003		RCVR37806		REDUCTION PTC 3/4-1/2 M/F	1,00			--
0004		GUGO37736		GASKET D. 10- 19 X 5 70SH	1,00			--
0005		FTAC30214		FILTER D.15X67	1,00			--
0006		RCDS49875		RING NUT 1/2"X 6 CH.27 OT.	1,00			--
0007		VTRS00549		WASHER D.21,5X27X1.5 (1/2) RM	1,00			--
0008		TBBP48636		L.P. HOSE L= 950 3/4F 90°- 1/2M 0°	1,00			--
0009		RCGR40005		FLOATER MTM 3/4 PP. S/F. +ADP.176	1,00	07/2005		--
0009		RCGR60703		FLOATER MTM 3/4 PP. S/F.	1,00		07/2005	--
0010		TBBP17436		L.P. HOSE D.12-14 RILSAN NT.	0,15		07/2005	--
0011		TBBP00058		L.P. HOSE D. 4- 7	0,25			--
0012		FSVR72800		CLAMP D 8.3 - 8.8	2,00			--
0013		TBBP00058		L.P. HOSE D. 4- 7	0,35			--
0014		FSVR00431		CLAMP D. 16-25	1,00			--
0015		TBBP48637		L.P. HOSE L= 220 3/4F90°-LIB.	1,00			--
0016		RCDS46144		NIPPLE 3/4 - 1/2 CB D. 7.0	1,00			--
0017		RCDS17206		SLEEVE 1/2 M/F L= 50-65	1,00			--
0018		PPAP87535		PUMP WW1513 SX N T.INT.DS	1,00			--
0019		MOTR40019		3PH MOTOR P190 HP 5,5 400-50 2P H9T	1,00	10/2010	04/2011	--
0019		MOTR48565		3PH MOTOR P190 HP 5,5 400-50 2P H90	1,00		10/2010	--
0019		MOTR88862		3PH MOTOR P190 HP 5,5 400-50 2P PTE	1,00	04/2011		--
0020		VTDD21787		NUT M28X1.5 L=5	1,00			--
0021		RCDS21788		RING NUT M 28 X 1.5 L=16	1,00			--
0022		PVVR22163		KNOB L=60 V.INT.	1,00			--
0023		GUGO29603		O-RING D. 12 X 1.50 VIT 70SH	1,00	07/2008		--
0023		GUGO48319		GASKET D. 12.5-16.5X1 NBR	1,00		06/2008	--
0024		RCDS43252		CAP M24X1,5 + 1/8F WW1509 OT	1,00			--
0025		MNMN37537		PRESSURE GAUGE 0-300 G1/8M "R" D.40	1,00	11/2003		--
0025		MNMN37538		PRESSURE GAUGE 0-160 G1/8M "R" D.40	1,00		11/2003	--
0026		RCVR02607		REDUCTION 3/8-1/4 M/F	1,00			--
0027		RCDS40582		HOSE FITTING "L" 1/4M - D. 6	1,00			--
0028		TBBP04917		L.P. HOSE D. 6- 9	0,85		04/2012	--
0028		TBBP93804		L.P. HOSE D. 6- 9	0,85	05/2012		--
0028		TBBP04917		L.P. HOSE D. 6- 9	0,50		04/2012	--
0028		TBBP93804		L.P. HOSE D. 6- 9	0,50	05/2012		--
0029		FSVR11957		CLAMP D. 9.5-12 CLIC	2,00			--
0030		RCGR08069		TAP BODY DET. PRT	1,00			--
0031		GUGO08071		O-RING D. 4.48 X 1.78 NBR 70SH	1,00			--



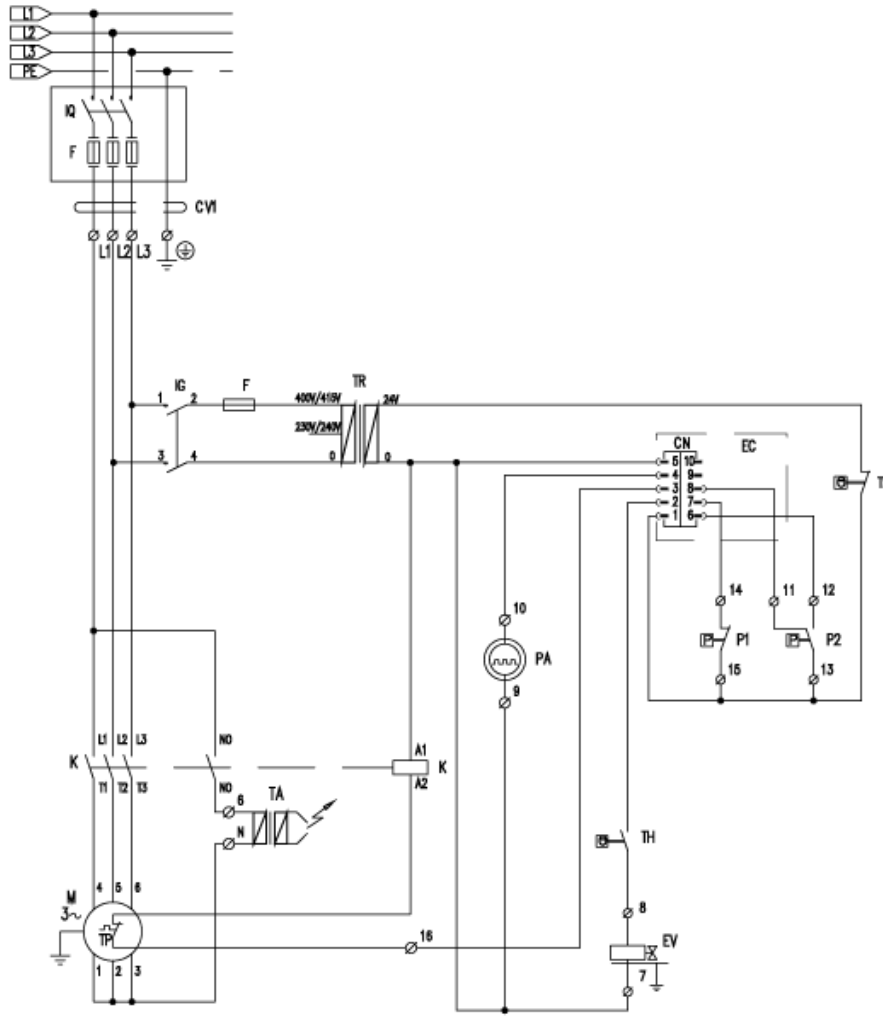
Ref.	K	Part N.	Customer Part N.	Description	Qty	Validity:		Price
						From	To	
0032		GUGO12183		O-RING D. 23.4 X 3.53 VIT 70SH	1,00			--
0033		RCGR08070		ADJUSTER PRT	1,00			--
0034		VTRS00542		WASHER D.14X20	1,00			--
0035		MLML08068		SPRING D.1,5 L.23	1,00			--
0036		RCVR72846		CONNECTOR A T 3/8M 1/4F 3/8M-OT	1,00			--
0037		TBAP48889		HOSE-FITTING 3/ 8 R1 L=650 3/8F90-PM26	1,00		05/2004	--
0037		TBAP87847		HOSE-FITTING 3/ 8 R1 L=670 3/8F90-PM26	1,00	05/2004		--
0038		VVSC39719		VALVE MG 2000 G1/4M 150B MIGNON	1,00		12/2004	--
0038		VVSC47427		VALVE MG 1000 G1/4M-M D.8 250B	1,00	12/2004		--
0039		RCDS21118		CONNECTOR KSM	1,00			--
0040		RCDS21119		NUT KSM	1,00			--
0041		RCDS48935		BLOCK 3VIE 3/8-1/4 M14X1 F ZC	1,00			--
0042		RCDS13012		NIPPLE M22-3/8 D. 7.5	1,00			--
0043		RCDS00593		SUMP IM 0-120 L=50	1,00	05/2004		--
0044		MLML02623		SPRING IMT	1,00			--
0045		GUGO89255		GASKET D. 17.5-24 X 2 EPDM	1,00			--
0046		MPVR20904		CAP KSM	1,00		11/2013	--
0046		MPVR40588		CAP KSM +F.	1,00	12/2013		--
0052		RCVR49974		RING NUT 3/4" X 4 NIK	1,00	12/2003		--



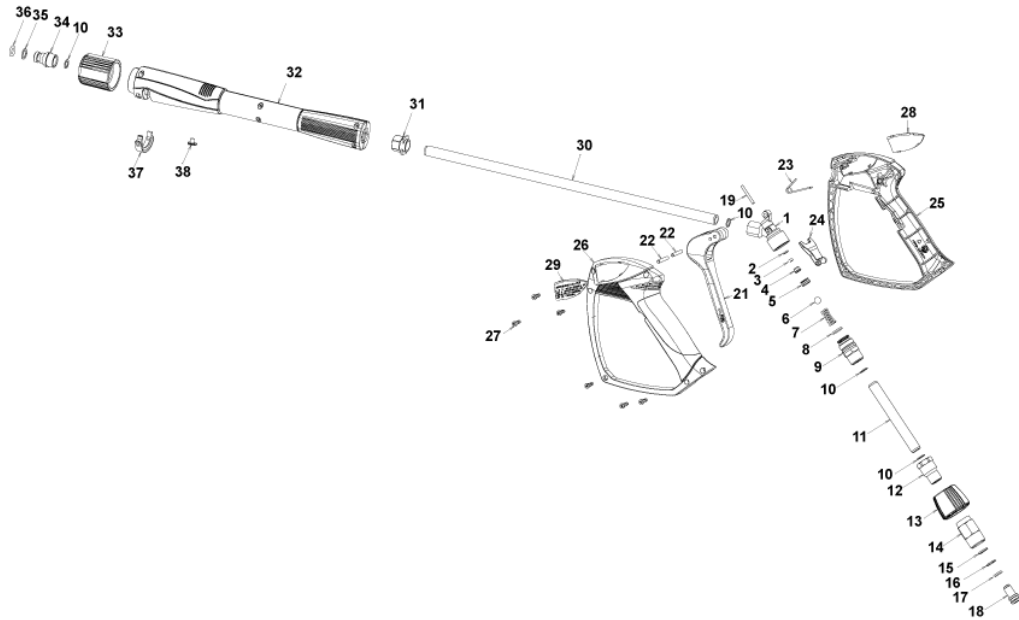
Ref.	K	Part N.	Customer Part N.	Description	Qty	Validity: From	To	Price
0001		GUGO21222		O-RING D. 15.54 X 2.62 VIT 80SH	2,00			--
0002		GUVR21021		ANTI-EXTR.RING D. 21 X17 TEF.	2,00			--
0003		RCDS21120		RING NUT M 26 X 1,5	2,00			--
0004		LAFN20108		RING D.298 KSM	1,00			--
0005		VTVR47052		SPLIT PIN "R" D. 2 X 43 ZC	1,00			--
0007		LAFN48448		BOILER BOTTOM KSM 2V. ZN	1,00			--
0008		LAFN48368		BAND KSM 2V. INX	1,00			--
0009		ITTE48373		BOTTOM KSM C.TE	1,00			--
0010		GUVR21756		FIB.GLASS CORD D. 12 GR/M 25	0,80		04/2003	--
0011		LAGR29730		DOUBLE COIL M26X1.5 SLR 26MT GZ.	1,00			--
0012		LAFN29735		INT. CYLINDER SLR INX	1,00			--
0013		LAFN87617		EXT. CYLINDER P190 26MT-V.KS INX.	1,00			--
0014		GUVR25775		GASKET D. 105/88 X 3	1,00			--
0015		LAFN20055		NOSEPIECE KSM	1,00			--
0016		LAFN30294		BAFFLE KSM/AGN	1,00			--
0017		UGBR18630		BURNER NOZZLE 0.75 45 A	1,00			--
0018		MFVR19964		ELECTR.HOLDER KSM	1,00		01/2005	--
0018		MFVR88612		ELECTR.HOLDER KSM 1/8CN.	1,00	01/2005		--
0019		RCVR08954		ELBOW 1/8"-4 B5	1,00	03/2015		--
0019		RCVR08954		ELBOW 1/8"-4 B5	1,00		06/2013	--
0019		RCVR14014		BI-CONE CONNec.DTT 1/8"M B1 D. 2/ 4 NIK	1,00	07/2013	10/2013	--
0019		RCVR40126		BI-CONE CONNec.T 1/8"M/F D. 4/ 6C NK.	1,00	11/2013	02/2015	--
0019		RCVR72867		CONNECTOR A "T" 1/8" FFM	1,00	07/2013	10/2013	--
0019		RCVR89230		CAP G 1/8 M C/O-RING.	1,00	07/2013	02/2015	--
0020		MECA18232		ELECTRODE L=101.5 KSM	2,00			--
0021		LAFN20123		PLATE KSM INX	1,00			--
0022		TBCO40015		DIESEL HOSE P190 26MT D. 4 2V.	1,00	11/2013	03/2014	--
0022		TBCO40045		DIESEL HOSE P190 26MT D. 4 IX	1,00	09/2014		--
0022		TBCO48642		DIESEL HOSE P190 26MT D. 4	1,00		10/2013	--
0022		TBCO48642		DIESEL HOSE P190 26MT D. 4	1,00	03/2014	09/2014	--
0023		MECB34463		CABLE BT L=800 SP.	1,00			--
0024		MECV35334		CABLE A.T. 9,8-23KOHM/M L= 400P	2,00	10/2010		--
0024		MECV35335		CABLE A.T. 9,8-23KOHM/M L= 500P	2,00		09/2003	--
0024		MECV35336		CABLE A.T. 9,8-23KOHM/M L= 750P	2,00	09/2003	10/2010	--
0025		LAFN36603		CHIMNEY EXTENS.KSM H.45 INX	1,00			--



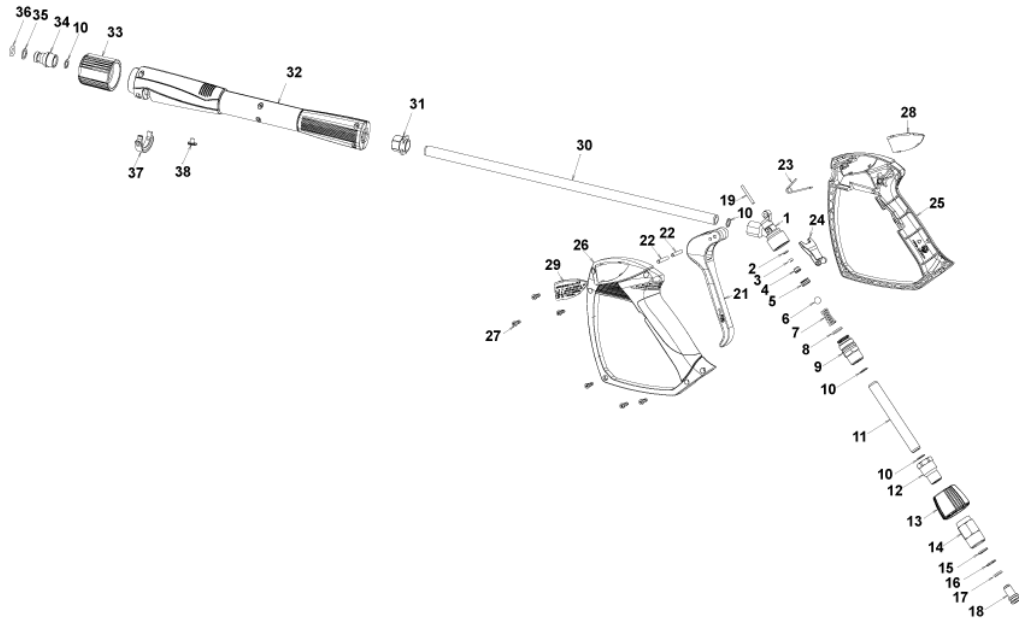
Ref.	K	Part N.	Customer Part N.	Description	Qty	Validity:		Price
						From	To	
0001		MPVR20125		SCROLL BODY KSM PP	1,00			--
0002		VEVR20128		IMPELLER KSM D.140 29P. PA66	1,00			--
0003		RCDS20417		BUSHING KSM	1,00			--
0003		LAFN21890		BUSHING D. 25	1,00			--
0004		MPVR20126		VENTILATOR COV.KSM PP	1,00			--
0005		MPVR20129		BUTTERFLY VALVEKSM PP	1,00			--
0006		VTVR20127		CLIP KSM	6,00			--
0006		VTVR20127		CLIP KSM	1,00			--
0007		GUGO20124		GASKET KSM	1,00			--
0008		MPVR48497		CONVEYOR P190 PA6 BK.	1,00			--
0009		MPVR21415		CLIP KSM	2,00			--
0010		FGGT20133		JOINT KSM	1,00		06/2003	--
0010		FGGT49223		JOINT KSM/P190 2V. PP	1,00	06/2003		--
0012		VTRS04931		WASHER COPPER D.13X19X1.5	1,00			--
0013		RCDS00626		HOSE FITTING 1/4 M D. 5- 7	1,00			--
0014		FTCO88927		FUEL FILTER S.AL	1,00	07/2003		--
0014		PPGS40002		FUEL PUMP DNF BFA 01R3R1	1,00	05/2010		--
0014		PPGS48503		FUEL PUMP DLT ALLUM. A1R1	1,00		04/2010	--
0014		FSVR00427		CLAMP D. 12 CLIC 66-110	2,00			--
0015		TBCO06945		L.P. HOSE D. 6-12 10BAR C.PRESS	0,70	12/2003		--
0015		TBCO06945		L.P. HOSE D. 6-12 10BAR C.PRESS	0,65	12/2003		--
0016		FSVR11197		CLAMP D.I. 11 13315	2,00			--
0017		FTCO10912		FILTER FB 13/TA NYL.	1,00			--
0018		RCVR14014		BI-CONE CONNEC.DTT 1/8"M B1 D. 2/ 4 NIK	1,00			--
0019		MECB18118		CABLE DLT L=1.600	1,00			--



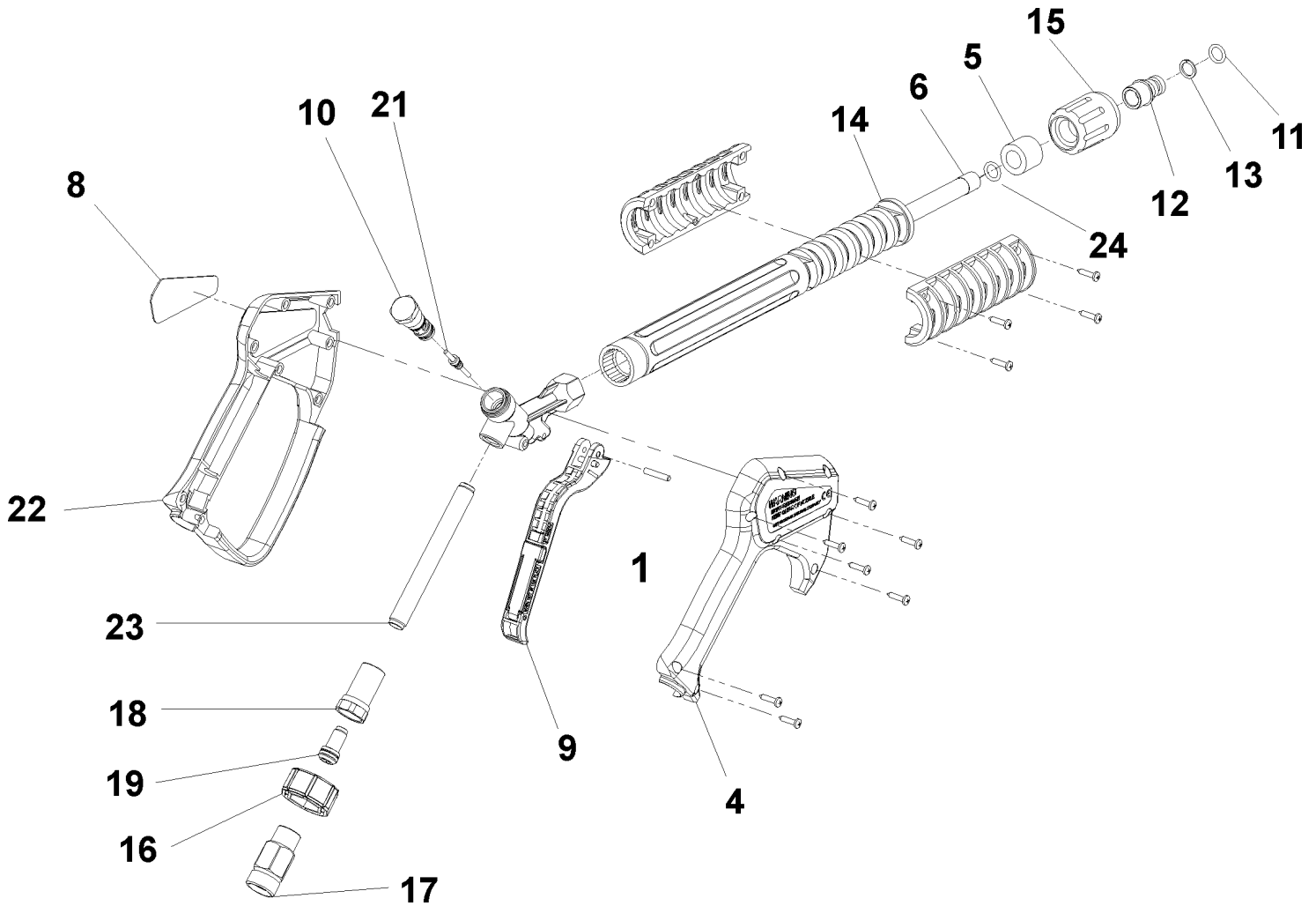
Ref.	K	Part N.	Customer Part N.	Description	Qty	Validity:		Price
						From	To	
F		MEVR02824		FUSE 5X20 1A	1,00			--
K		METT40008		CONTACTOR SIE 3RT 2016-1AB01 24V	1,00	10/2014		--
K		METT43990		CONTACTOR SIE 3RT 1017 1AB01 5/60HZ	1,00		09/2014	--
EC		MECE48580		PCB P190 T-ST/MP V,PLUS	1,00			--
EV		MEBE43704		COIL DNF 24-50	1,00	04/2011		--
EV		MEBE48504		COIL DLT 24-50 NF84	1,00		04/2010	--
IG		MECI01884		SWITCH TEC 12A HD1202 R000	1,00	10/2010	06/2012	--
IG		MECI09350		SWITCH O.K.N. 6.3-10 A	1,00		10/2010	--
IG		MECI40020		SWITCH BRM BP. 0-1 12A	1,00	07/2012		--
LC		MECE46139		FILTER FC RFI 475V	1,00		10/2010	--
P1		MEPF39901		PRESSURE SWITCHMTM 1/4M NA/NC 15B. MICRO	1,00		07/2012	--
P1		MEPF71856		PRESSURE SWITCHPR 5 1/4M 15BAR	1,00	08/2012		--
P2		MEPF39902		PRESSURE SWITCHMTM 1/4M NA/NC 25B. MICRO	1,00		07/2012	--
P2		MEPF76254		PRESSURE SWITCHPR 5 1/4M 25BAR	1,00	08/2012		--
PA		MEPD25575		DESCALING PUMP NME-1 24V CPL.	1,00			--
TA		METR34821		TRANSFORMER 400V-50HZ 2X4000V SP4 CM	1,00		10/2010	--
TA		METR88630		TRANSFORMER 23/240V-5/60HZ 2X26KV TR.	1,00	10/2010		--
TH		METK19354		THERMOSTAT 0-150° L=1500	1,00		12/2010	--
TH		METK40006		THERMOSTAT 0-150° L=1500 S&R	1,00	12/2010	12/2012	--
TH		METK40011		THERMOSTAT 0-150° L=1500 F&C	1,00	01/2013		--
TR		METR11977		TRANSFORMER 35VA 230-400/24 50/60HZ	1,00		02/2008	--
TR		METR40003		TRANSFORMER 35VA 230-400/24 5/60HZ PM	1,00	02/2008		--
TS		METK40007		THERMOSTAT 65°C NSP-040 PT RIPR.	1,00	04/2011		--
TS		METK49116		THERMOSTAT 65°C TG400 C.1,5 RIPR.	1,00	05/2004	04/2011	--
CV1		MECB10518		CABLE H07 RNF 4X1.5 L=6.500	1,00			--



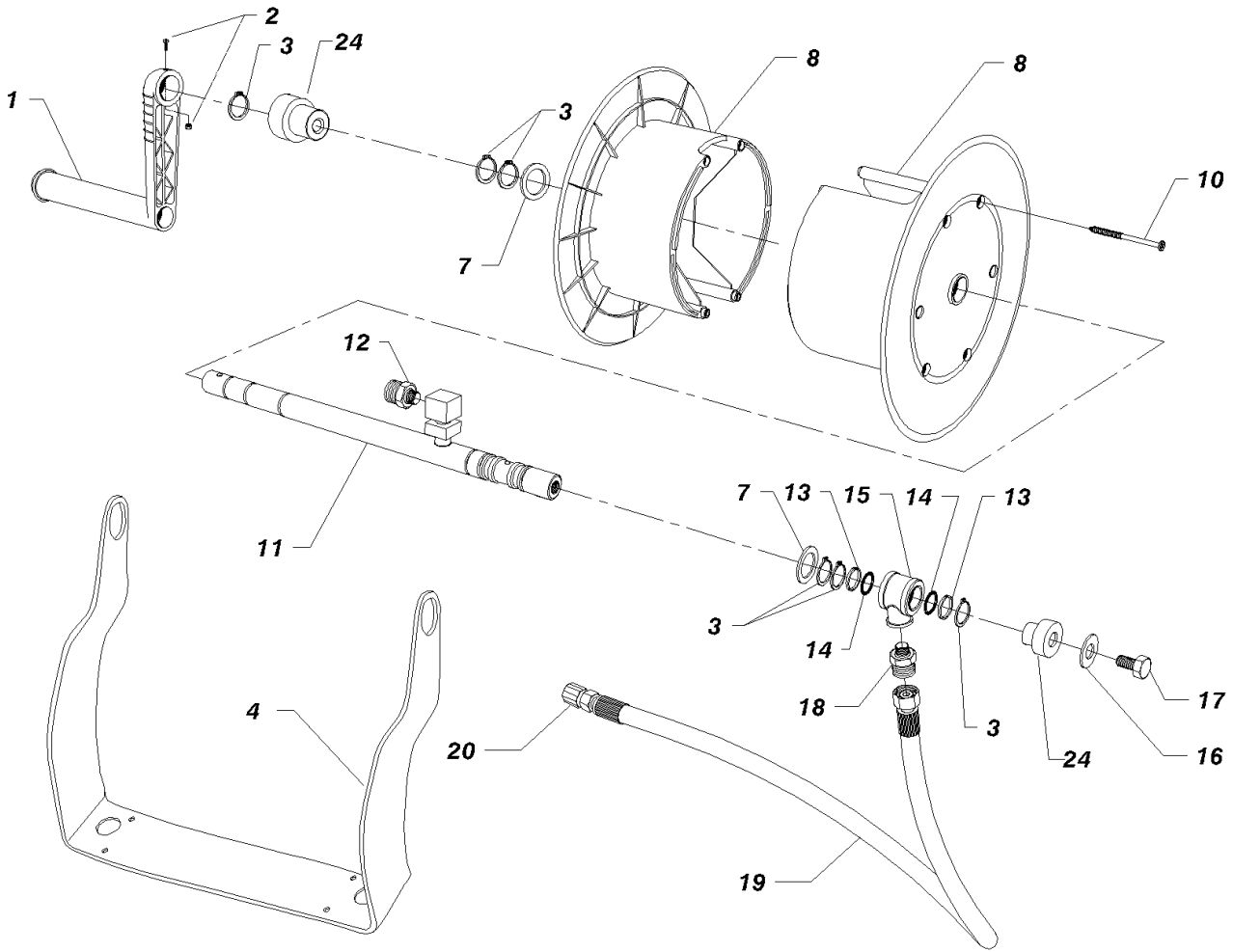
Ref.	K	Part N.	Customer Part N.	Description	Qty	Validity:		Price
						From	To	
0001		PVVR40381		GUN BODY G 5100 G1/4F	1,00			--
0002	S	GUVR40074		ANTI-EXTR.RING D. 3 X 7.4X1.3	1,00			--
0003	S	GUGO21835		O-RING D. 2.84 X 2.62 VIT. 80SH	1,00			--
0004		PVVR40382		PISTON GUIDE G 5100	1,00			--
0005	S	PVVR40112		BALL SEAT G 5000	1,00			--
0006	S	SFVR27026		BALL D.11/32" INX	1,00			--
0007		MLML40016		SPRING D. 9.4 x21.5x1.6 G5000	1,00			--
0008		GUGO12322		O-RING D. 14 X 1.78 NBR 90SH	1,00			--
0009		PVVR40383		CONNECTOR COLL.G5100 1/4F	1,00			--
0010		VTRS40017		WASHER D. 8,2X11,4X1,00 AL	4,00			--
0011		PVVR40384		TUBE G 1/4" L.105	1,00			--
0012		RCIN40022		CONNECTOR SWIV G5100 1/4F	1,00			--
0013		MPVR40486		RING NUT G 5100 SW. GR.	1,00			--
0014		RCIN40021		JOINT SWIV 5100 M22	1,00			--
0015	S	GUVR40075		ANTI-EXTR.RING D. 10 X14X1.5	1,00			--
0016	S	GUVR40076		ANTI-EXTR.RING D. 11.2X14X1.2	1,00			--
0017	S	GUGO15295		O-RING D. 10.82 X 1.78 VIT 80SH	1,00			--
0018		PVVR40386		SCREW SW. G 5100	1,00			--
0019		PVVR40387		SMALL PISTON G 5100	1,00			--
0021		MPVR40487		TRIGGER G 5100-SW	1,00			--
0022		VTVR40047		PLUG D. 4X29	2,00			--
0023		MLML40029		SPRING G 5100	1,00			--
0024		MPVR40488		SAFETY-DEVICE G 5100-SW	1,00			--
0025		MPVR40489		SHELL G 5100-SW DX	1,00			--
0026		MPVR40490		SHELL G 5100-SW SX	1,00			--
0027		VTVT40043		SCREW AF 4X 14 HILO ZN.N	6,00			--
0028		MPVR40491		PLATE G 5100 GR.DX	1,00			--
0029		MPVR40492		PLATE G 5100 GR.SX	1,00			--
0030		LCPR40086		TUBE 1/4 L=420 ZC. 0°	1,00			--
0031		MPVR40493		CONNECTOR G 5100-SW	1,00			--
0032		MPVR40494		PROTECTION P 420 C/AN.	1,00			--
0033		PVVR40119		CONNECTION M22X1,5 IRV G5000	1,00			--
0034		RCIN40009		GUDGEON G 1/4 F IRV G5000	1,00			--
0035		GUVR40034		ANTI-EXTR.RING D. 10 X14	1,00			--
0036		GUGO01946		O-RING D. 9.13 X 2.62 VIT 70SH	1,00			--
0037		MPVR40495		CAP G 5100 REM.	1,00			--
0038		MPVR40198		CAP G 5000	1,00			--



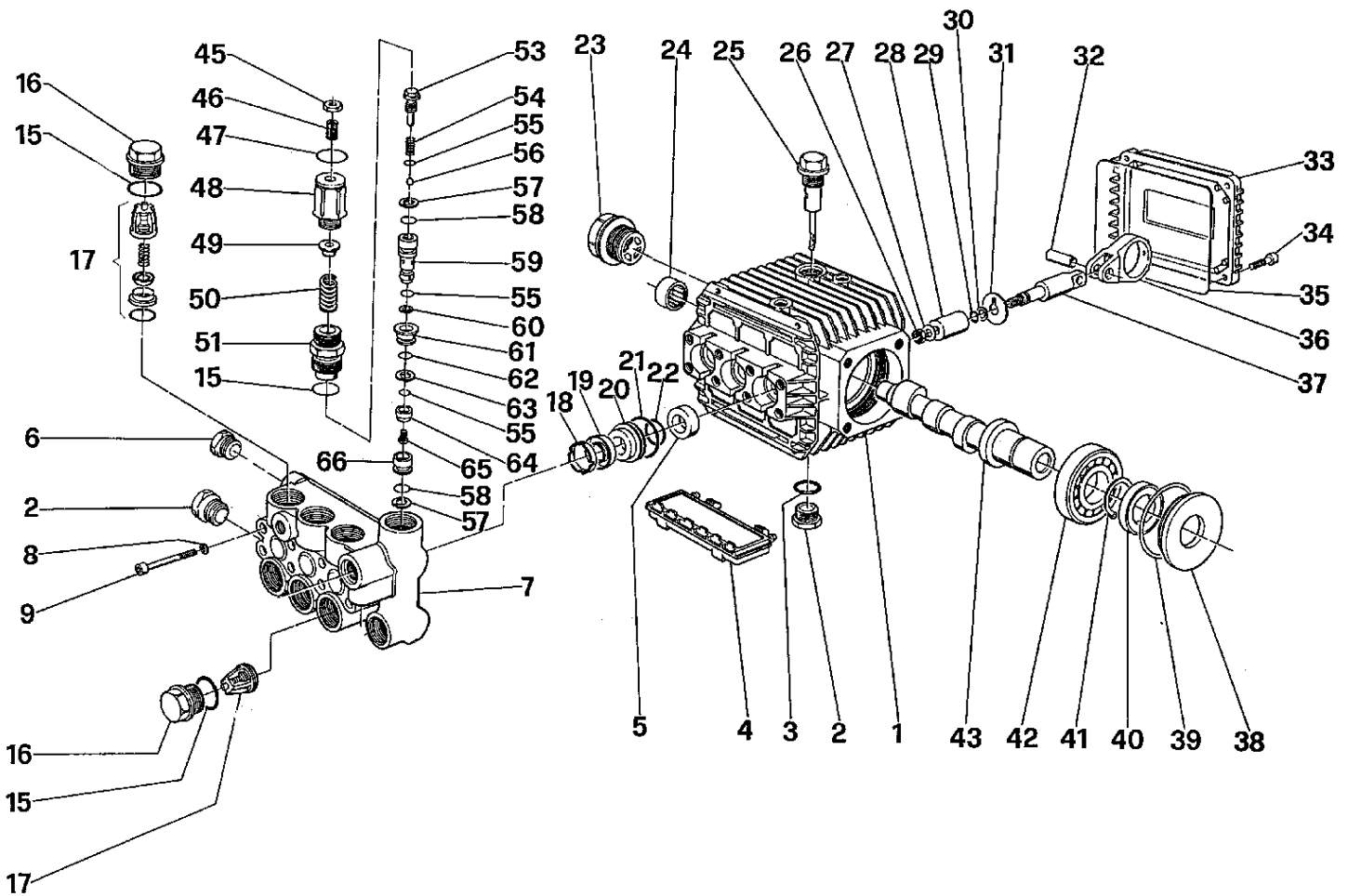
Ref. Part N.	Cust. Part N.	Description	Reference	Price
KTRI40242		KIT P 26- 25 G 5100	0002 0003 0005 0006	--
KTRI40243		KIT P 26- 25 SWIVEL G 5100	0015 0016 0017	--



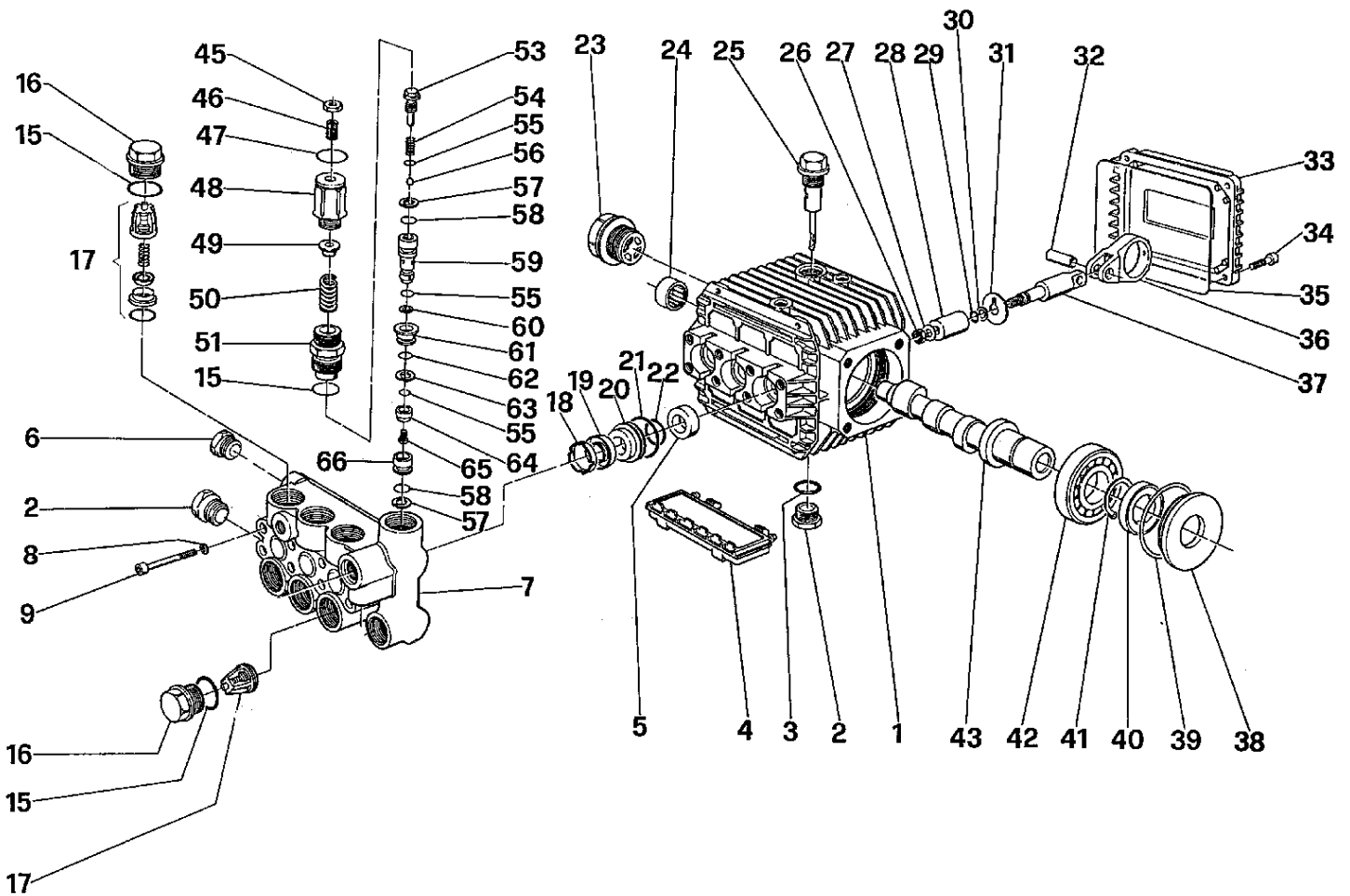
Ref. K	Part N.	Customer Part N.	Description	Qty	Validity:		Price
					From	To	
0001	VTVR46568		PLUG G 4500	1,00			--
0004	MPVR40157		COVER G 4500 2V.	1,00	05/2008		--
0004	MPVR46563		COVER G 4500	1,00		04/2008	--
0005	MPVR46572		SPACER P 330 ST	1,00			--
0006	LCPR40007		TUBE 1/4 L=352 ZC. 2V.	1,00	05/2008		--
0006	LCPR46571		TUBE 1/4 L=352 ZC.	1,00		04/2008	--
0008	MPVR46569		PLATE G 4500 RD.	1,00			--
0009	MPVR40057		TRIGGER G 4500 -SW	1,00			--
0010	PVVR40030		SMALL PISTON TM ST-2300	1,00			--
0011	GUGO10384		O-RING D. 10 X 2.2 VIT 80SH	1,00			--
0012	RCVR13030		GUDGEON G 1/4 F L=31.5	1,00			--
0013	GUVR10526		ANTI-EXTR.RING D.13.9X10.2 C.BZ	1,00			--
0014	MPVR46570		PROTECTION P 330 ST	1,00			--
0015	PVVR13445		CONNECTION M 22X1.5 L=45	1,00			--
0016	MPVR40058		RING NUT G4500 SW.	1,00			--
0017	RCIN40001		JOINT SWIV 4500 3/8"F	1,00		04/2008	--
0017	RCIN40005		JOINT SWIV 4500 3/8"F 2V.	1,00	05/2008		--
0018	RCIN31641		CONNECTOR SWIV 1500 F	1,00			--
0019	KTRI31645		KIT P 26- 14	1,00			--
0021	PVVR40031		ROD ST-2300	1,00			--
0022	MPVR40156		SHELL G 4500 2V.	1,00	05/2008		--
0022	MPVR46562		SHELL G 4500	1,00		04/2008	--
0023	PVVR40023		TUBE G 1/4" M/M P/SW.	1,00			--
0024	GUGO27021		O-RING D. 11 X 2.5 EPD 70SH	1,00	05/2008		--



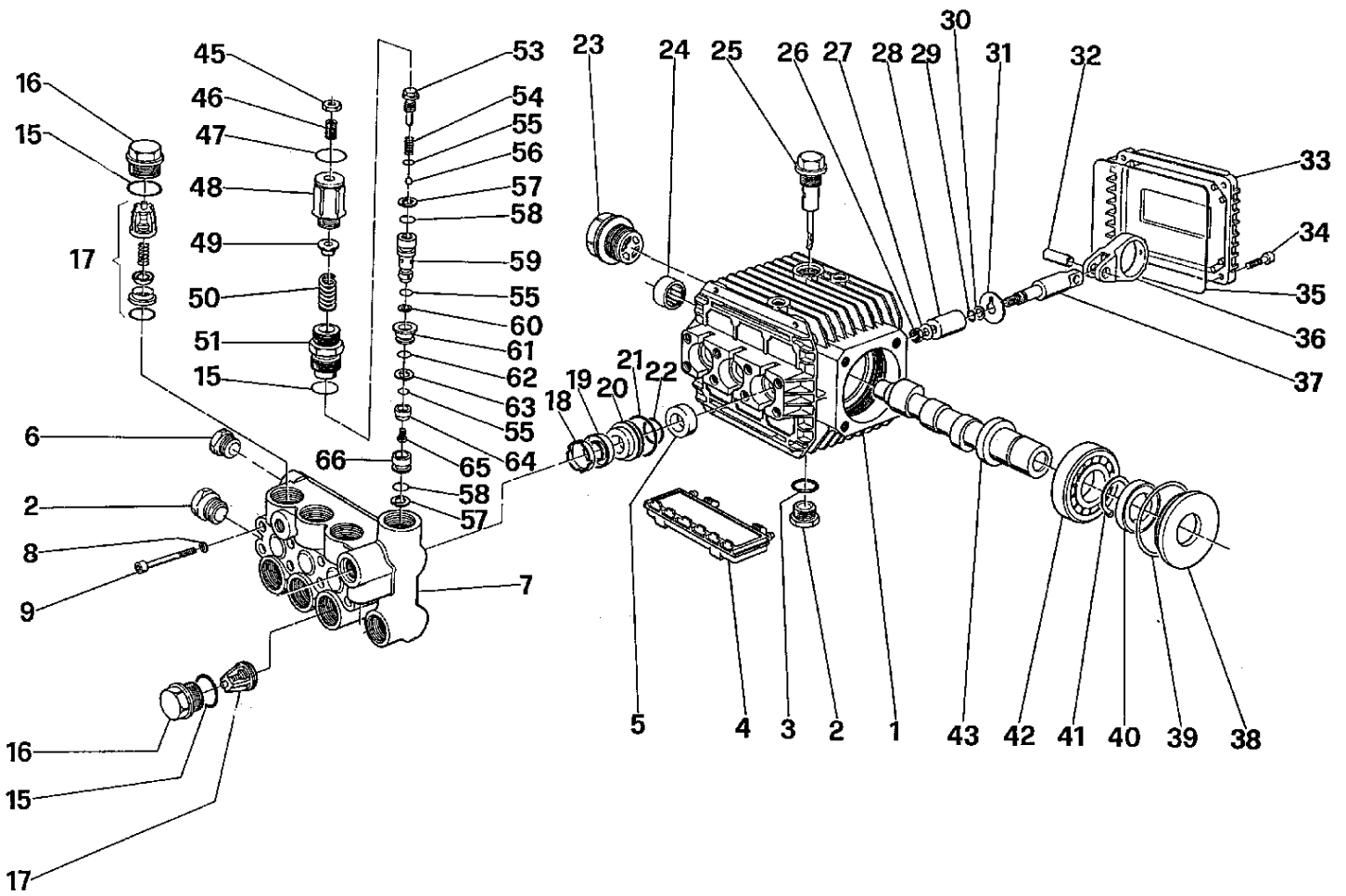
Ref.	K	Part N.	Customer Part N.	Description	Qty	Validity:		Price
						From	To	
0001		MPVR31495		HANDLE PRT D. 3.5	1,00			--
0002		VTVT43875		SCREW TSPEI 4X40 UNI5933	1,00			--
0003		VTAE33674		CIRCLIP D. 22 UNI 7435	3,00			--
0004		LAFN48786		HOSE WIND.SUPP.P190	1,00			--
0007		VTRS04924		WASHER D.23X 39	1,00			--
0008		MPVR37152		HOSE REEL PRT PP	2,00		09/2013	--
0008		MPVR40581		HOSE REEL PRT.ANM PP	2,00	10/2013		--
0010		VTVT29165		SCREW AF TCB-TC 5 X20 TL	4,00		09/2007	--
0010		VTVT40006		SCREW AF TCB-TC 5 X20 HILO INX	4,00	09/2007		--
0011		LAFN37663		AXLE PRT	1,00		06/2003	--
0011		LAFN48953		AXLE PRT 2V. 3PZ.	1,00	06/2003		--
0012		RCIN10577		MALE COUPLING 1/4MA	1,00			--
0012		VTDD04369		NUT M 4 TEF UNI 7473	1,00			--
0013		GUVR37665		ANTI-EXTR.RING D.17.8X22 X1.5 PTFE	2,00			--
0014		GUGO01032		O-RING D. 17.13 X 2.62 NBR 70SH	2,00			--
0015		RCDS37667		BLOCK PRT OT.	1,00		06/2010	--
0015		RCDS89862		BLOCK PRT-P237 G3/8 OT.	1,00	06/2010		--
0016		VTRS00514		WASHER TE.10X30X11.4	1,00			--
0017		VTVT00454		SCREW TE 10X16	1,00			--
0018		RCDS00608		NIPPLE 3/8 - 1/4 SV	1,00		06/2010	--
0018		RCDS00610		NIPPLE 3/8 - 3/8 SV	1,00	06/2010		--
0019		TBAP25930		HOSE-FITTING 5/16 R2 L=630 0- 0° 3/8F	1,00			--
0020		RCIN03755		FEMALE COUPLIN.3/8MB	1,00			--
0024		MPVR45822		BUSHING D.28-38/22.5 L=24.5 PVC N	1,00			--
9999		VTDD46044		NUT M 6 GB. 1.7X 2.5 ZT	4,00			--
9999		VTVT10021		SCREW TE 6X15 UNI8110 SW.FRM	4,00			--
9999		VTRS04924		WASHER D.23X 39	1,00			--



Ref.	K	Part N.	Customer Part N.	Description	Qty	Validity:		Price
						From	To	
0001		MFVR12641		PUMP CRANKCASE WW 90B - 93B	1,00			--
0002		RCDS01090		CAP 3/8X13 M WW90	2,00			--
0003		GUGO01035		O-RING D. 13.95 X 2.62 NBR 70SH	1,00			--
0004		PVVR43778		PROTECTION WW S.51	1,00			--
0005	S	GUGO09690		OIL SEAL 15X 24X 5 NBR70	3,00			--
0006		RCDS01088		CAP 1/4X 9 M WW90	1,00			--
0007		MFVR18931		HEAD WW 90 OT. V.INT. D.15	1,00			--
0008		VTRS01077		WASHER D. 6,4X10X0,7	12,00			--
0009		VTVT06236		SCREW TCEI 6X40 UNI5931	8,00			--
0015	S	GUGO01033		O-RING D. 20.24 X 2.62 NBR 90SH	7,00			--
0016		RCDS43779		CAP M 24X1,5X11,2 WW	6,00			--
0017	S	VVAM28467		VALVE UNIT "44" WW136-186	6,00			--
0018	S	PVVR09327		HEAD RING D. 15	3,00			--
0019	S	GUVR09324		PACKING D. 15 TURBO	3,00			--
0020	S	PVVR09687		PACKING RETAIN.D. 15 BJ	3,00			--
0021	S	GUGO03506		O-RING D. 25.12 X 1.78 NBR 70SH	3,00			--
0022	S	GUGO01054		O-RING D. 15.08 X 2.62 NBR 70SH	3,00			--
0023		PVVR01083		OIL INDICATOR G 3/4 W70-151	1,00			--
0024		CUVR09639		ROLLER BEARING BK 1516V	1,00			--
0025		PVVR01089		OIL DIPSTICK W 70	1,00			--
0026		VTDD04284		NUT M8X1,25 X13X5 S2 INX	3,00			--
0027		VTRS09321		WASHER D. 8X13X1	3,00		07/2002	--
0027		VTRS46027		WASHER D. 8 C/CLL.	3,00	07/2002		--
0028		PIVR09641		PISTON D.15 BJ WH.	3,00			--
0029		GUGO01055		O-RING D. 5.28 X 1.78 VIT 70SH	3,00			--
0030		GUVR10257		ANTI-EXTR.RING WW161	3,00			--
0031		VTRS09320		WASHER D. 9X23X0,5	3,00			--
0032		PVVR09646		GUDGEON D. 8X24.5 BJ	3,00			--
0033		MFVR09643		CRANKASE COVER BJ	1,00			--
0034		VTVT01115		SCREW TCEI 6X18	4,00			--
0035		GUGO27617		O-RING D. 88.57 X 2.62 NBR 70SH	1,00			--
0036		BLVR43780		CONNECTING ROD WW S.51	3,00			--
0037		PVVR09642		PISTON GUIDE BJ	3,00			--
0038		MFVR03565		SPACER W 70	1,00			--
0039		GUGO01040		O-RING D. 55.56 X 3.53 NBR 70SH	1,00			--
0040		GUGO01002		OIL SEAL 25X 42X 7 NBR70	1,00			--
0041		VTAE09655		CIRCLIP D. 25 UNI 7435	1,00			--
0042		CUVR09654		BALL BEARING 6305	1,00			--
0043		ALMO09648		ECC.SHAFT WW "N" C.9.4 D.24	1,00			--



Ref.	K	Part N.	Customer Part N.	Description	Qty	Validity:		Price
						From	To	
0045		VTDD09708		NUT M 8 UNI 5589	1,00			--
0046		VTVT20196		SCREW EI-ST 8X20 UNI5923	1,00			--
0047		GUGO01057		O-RING D. 20.35 X 1.78 NBR 70SH	1,00			--
0048		PVVR18672		REGISTER COLT	1,00			--
0049		PVVR11656		SPRING PLATE W1	1,00			--
0050		MLML11655		SPRING D.15X35	1,00			--
0051	S	PVVR18671		BUSHING COLT	1,00			--
0053	S	PVVR18670		LIMIT SWITCH COLT	1,00			--
0054	S	MLML20195		SPRING D. 6.1X19	1,00			--
0055	S	GUGO03497		O-RING D. 6.75 X 1.78 VIT 80SH	3,00			--
0056	S	PVVR89063		COUPLING V.INT. "H"	1,00	04/2009		--
0056	S	SFVR12904		BALL D. 9/32 W1 INX	1,00		03/2009	--
0057	S	GUVR11651		ANTI-EXTR.RING D. 10.6X15X2	2,00			--
0058	S	GUGO03501		O-RING D. 9.92 X 2.62 VIT 70SH	2,00			--
0059	S	PVVR18669		CONTROL PISTON COLT	1,00			--
0060	S	GUVR04309		ANTI-EXTR.RING HM	2,00			--
0061	S	PVVR11653		VALVE GUIDE CONTROL SET W1	2,00			--
0062	S	GUGO11652		O-RING D. 12.42 X 1.78 NBR 70SH	1,00			--
0063	S	GUVR11650		ANTI-EXTR.RING CONTROL SET W1	1,00			--
0064	S	PVVR18668		VALVE CLT	1,00			--
0065	S	VTVT18667		SCREW M 5X0,8X7,5	1,00			--
0066	S	PVVR12887		VALVE SEAT CONTROL SET W1	1,00			--



Ref. Part N.	Cust. Part N.	Description	Reference	Price
KTRI18651	KIT P	83	0005	--
KTRI18654	KIT P	15- 86	0020 0021 0022	--
KTRI18655	KIT P	102	0051 0053 0054 0055 0056 0057 0058 0059 0060 0061 0062 0063 0064 0065 0066	--
KTRI20717	KIT P	15-102P SF.ACC.	0051 0053 0054 0055 0056 0057 0058 0059 0060 0061 0062 0063 0064 0065 0066	--
KTRI21664	KIT P	96	0018 0019 0020 0021 0022	--
KTRI21665	KIT P	97	0018 0019 0021 0022	--
KTRI28508	KIT P	15-123	0017	--