



IPC Integrated Professional Cleaning

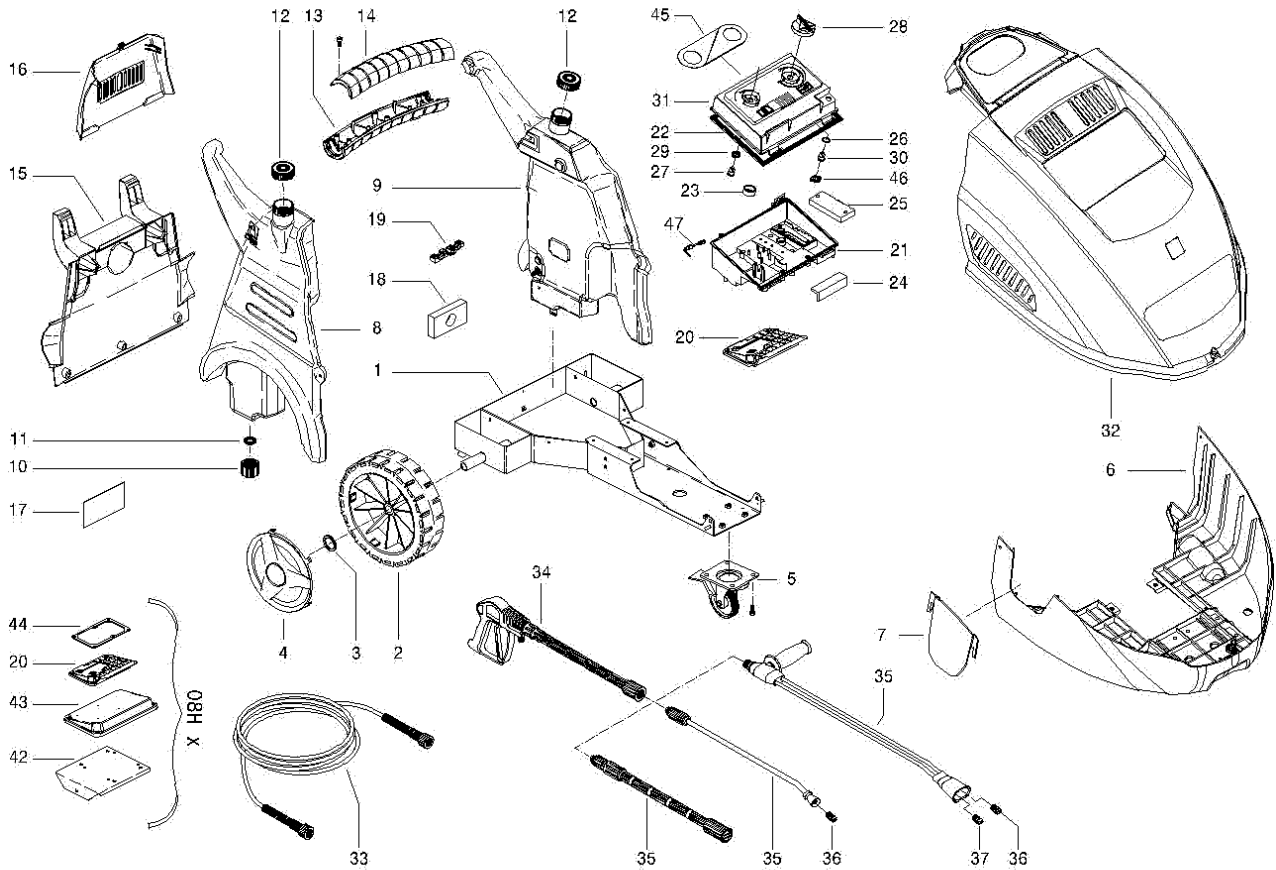
IPC Portotecnica

Spare Parts List

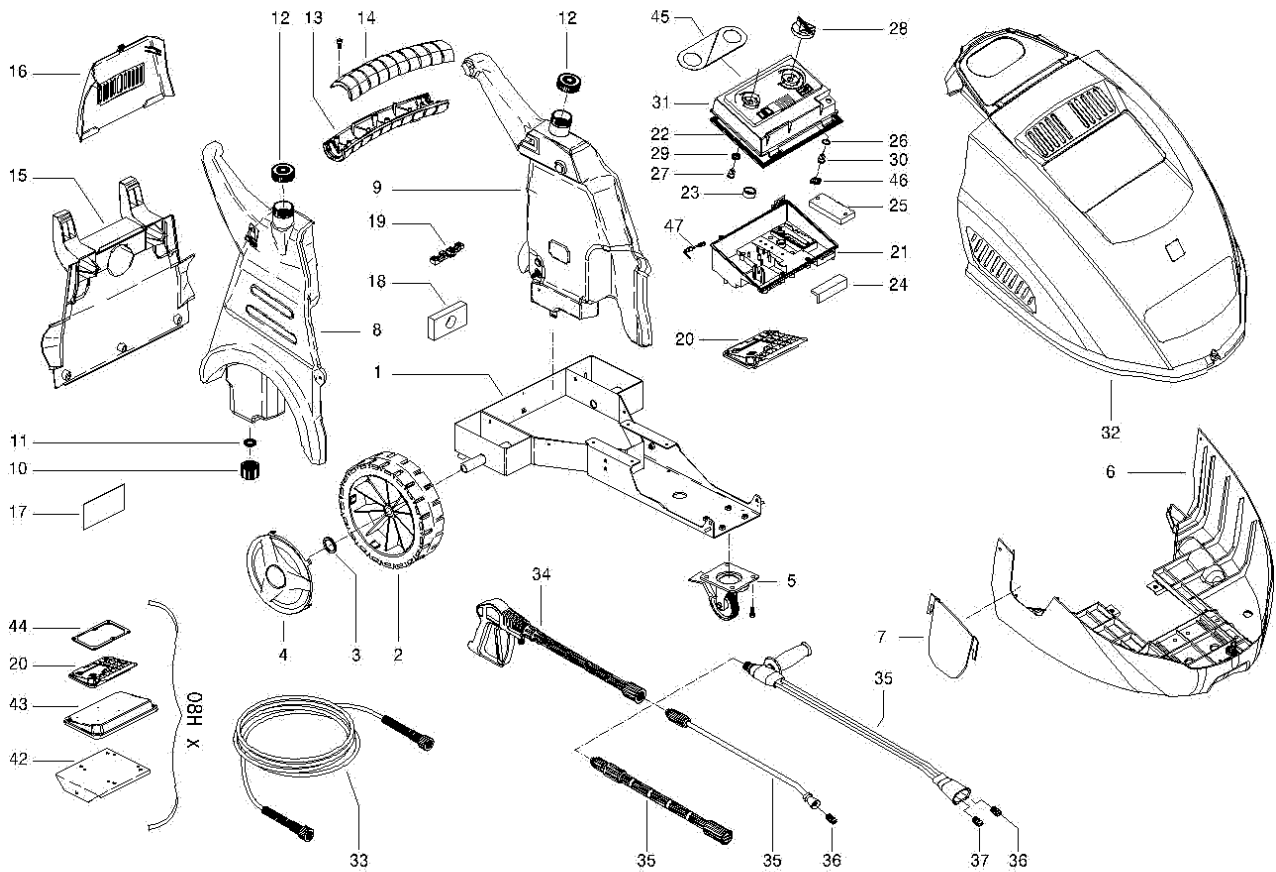
IPF ENGINEERING LTD

Ref: IDAC40246

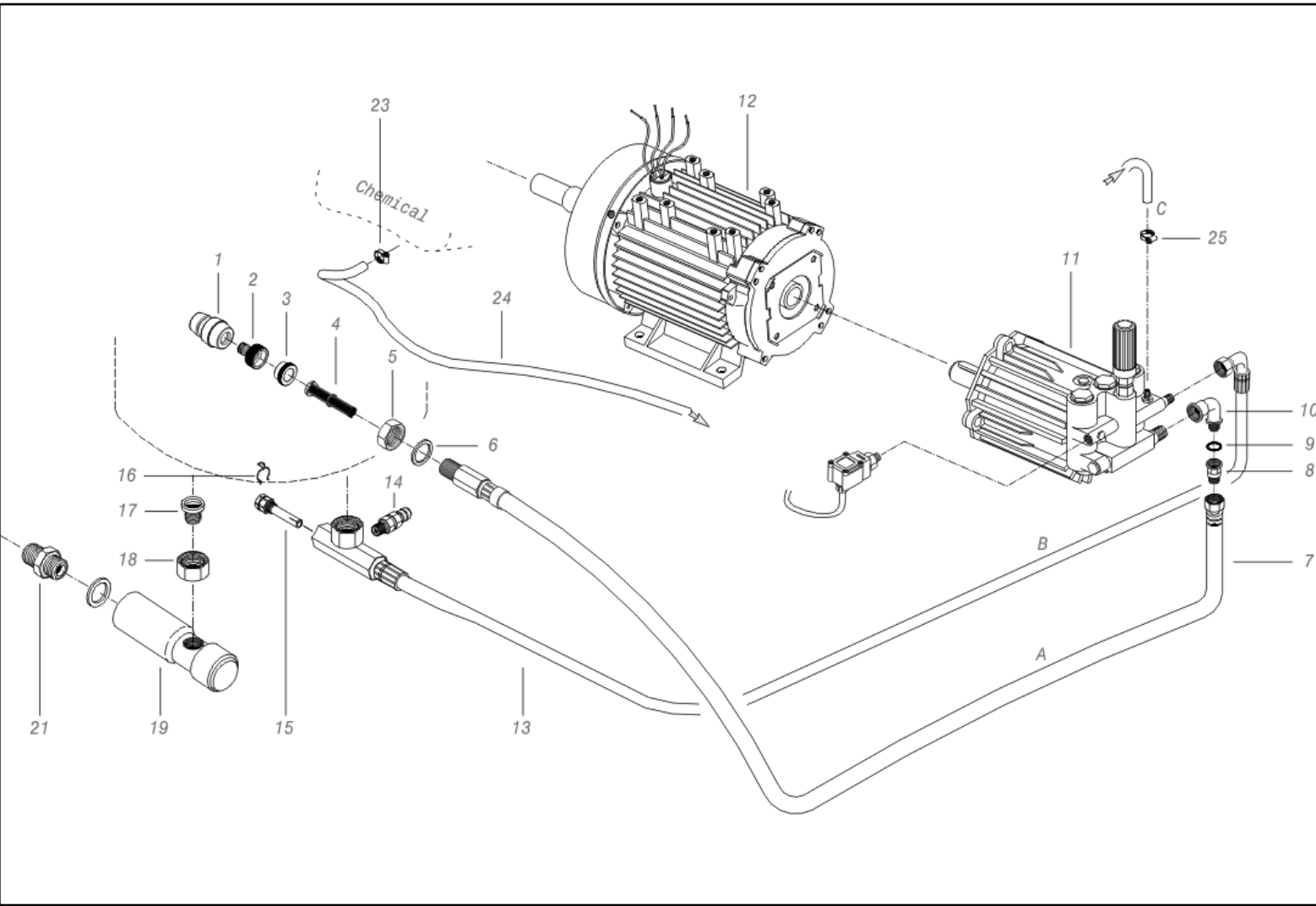
Model: IDROP CHALLENGE AX.2540 T 400/50 3-01IPF



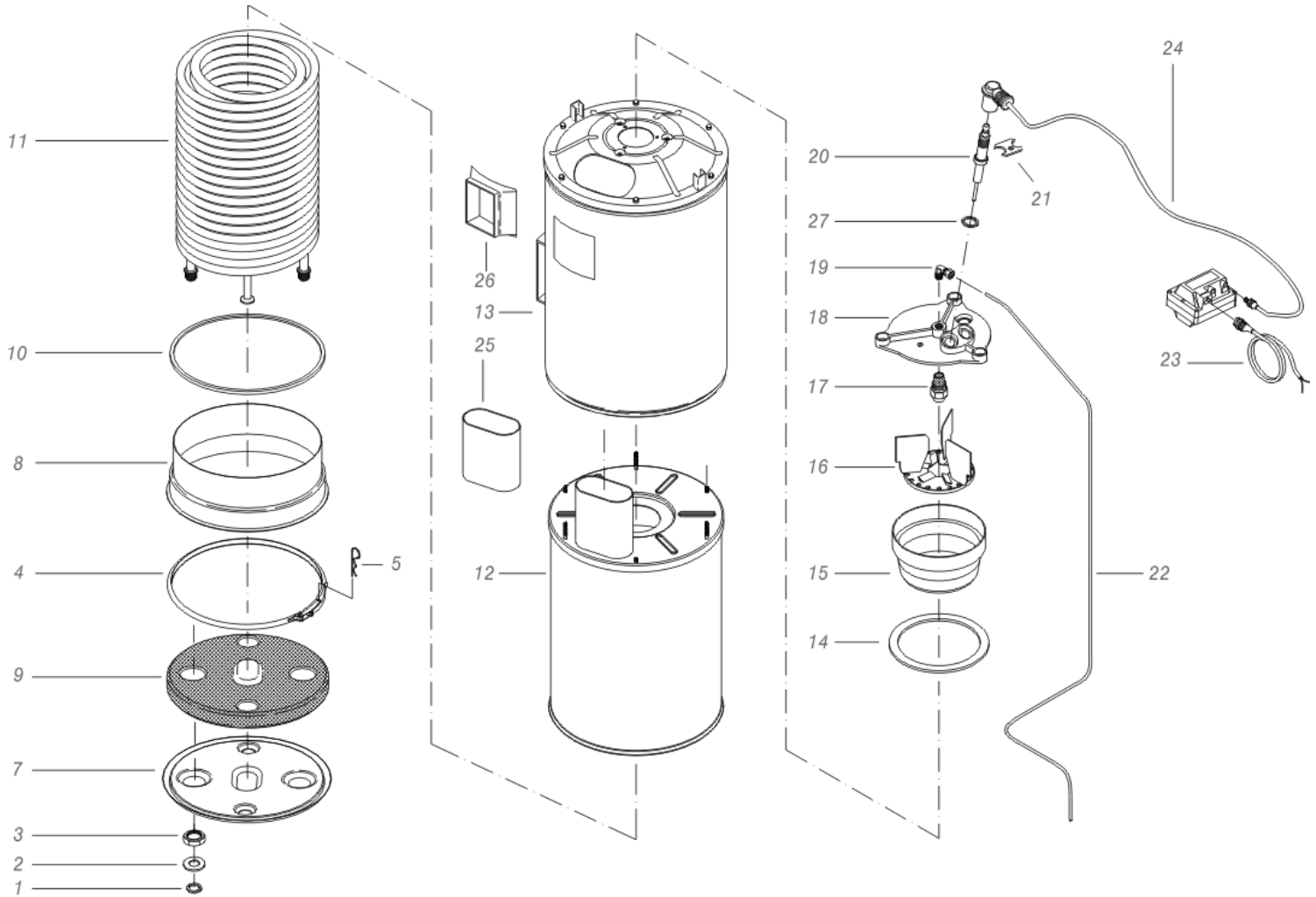
Ref.	K	Part N.	Customer Part N.	Description	Qty	Validity:		Price
						From	To	
0001		LAFN40288		CHASSIS P190 3V. BK.	1,00	07/2010		--
0001		LAFN48940		CHASSIS P190 2V. BK.	1,00		07/2010	--
0002		RTRT45383		WHEEL D.305-D.25 RT-IPC	2,00			--
0003		VTRS09813		WASHER D.25	2,00			--
0004		MPVR45384		RED WHEEL COVER. 305 RT-PRT	2,00			--
0005		RTRT47975		TURNING WHEEL D.100 P MZ.PLS.	1,00			--
0006		MPVR48384		COVER P190 PPL.BK	1,00			--
0007		MPVR48383		DOOR P190 PPL.BK	1,00			--
0008		MPVR48088		TANK P190 PEHD	1,00			--
0009		MPVR48087		FUEL TANK P190 PEHD	1,00			--
0010		PVVR11806		DISCHARGE CAP FLL	2,00			--
0011		GUGO11489		GASKET D.22X1,5	2,00			--
0012		MPVR45426		TANK CAP P176 PEHD	2,00			--
0013		MPVR48495		HANDLE P190 PA6 BK.	1,00			--
0014		MPVR48496		HANDLE P190 PA6 BK.	1,00			--
0015		MPVR48116		BACK PANEL P190 PPL BK.	1,00			--
0016		MPVR48390		BACK PANEL P190 PPL RD.	1,00			--
0019		MEVR33994		CABLE FASTNER 4228 B D. 6- 18	1,00			--
0020		MPVR47818		PLATE P190 PA6 BK.	1,00			--
0021		LAFN20138		CONTROL BOX KSM ABS BK.	1,00			--
0022		GUGO27129		JOINT 10X3	1,05			--
0024		LAFN30211		SUPPORT SLR	1,00			--
0025		MPVR20143		CABLE CLAMP COVKSM	1,00			--
0026		GUGO01035		O-RING D. 13.95 X 2.62 NBR 70SH	1,00			--
0027		MPVR23482		TAIL PIECE TEC. TUV	1,00			--
0028		MPVR46511		GREY KNOB KSM C/F.FIS.	2,00			--
0029		GUGO23079		V-SEAL RING VA0014 13.5- 15.5	1,00			--
0030		MPVR23484		TAIL PIECE THERM.KSM TUV	1,00			--
0031		MPVR88820		BOX COVER P190 C/F.THS BK.	1,00			--
0032		MPVR48385		RED COVER P190 SUP. PP	1,00			--
0033		TBAP40012		H.P. HOSE R1 MT 10 1/4" C/2 IRV IX	1,00			--
0034		IPPR40010		GRIP G 5100+P.330 +M22 SW.M V	1,00	04/2014		--
0034		IPPR89429		GRIP G 4500 - P.330 -M22SW.M V	1,00		04/2014	--
0035		LCPR12983		DOUBLE EXTENS. PD 70	1,00			--
0036		UGLN05174		NOZZLE 1/4 5040 OT	1,00			--
0037		UGLN49987		NOZZLE LECH 1/4 15045	1,00	10/2010		--
0037		UGLN49992		NOZZLE LECH 1/4 25045	1,00		09/2010	--
0045		ETET88759		LABEL P190-CHALL. GRY PLC	1,00			--
0046		MPVR41903		THICKNESS TERM.IM.PA66	1,00			--



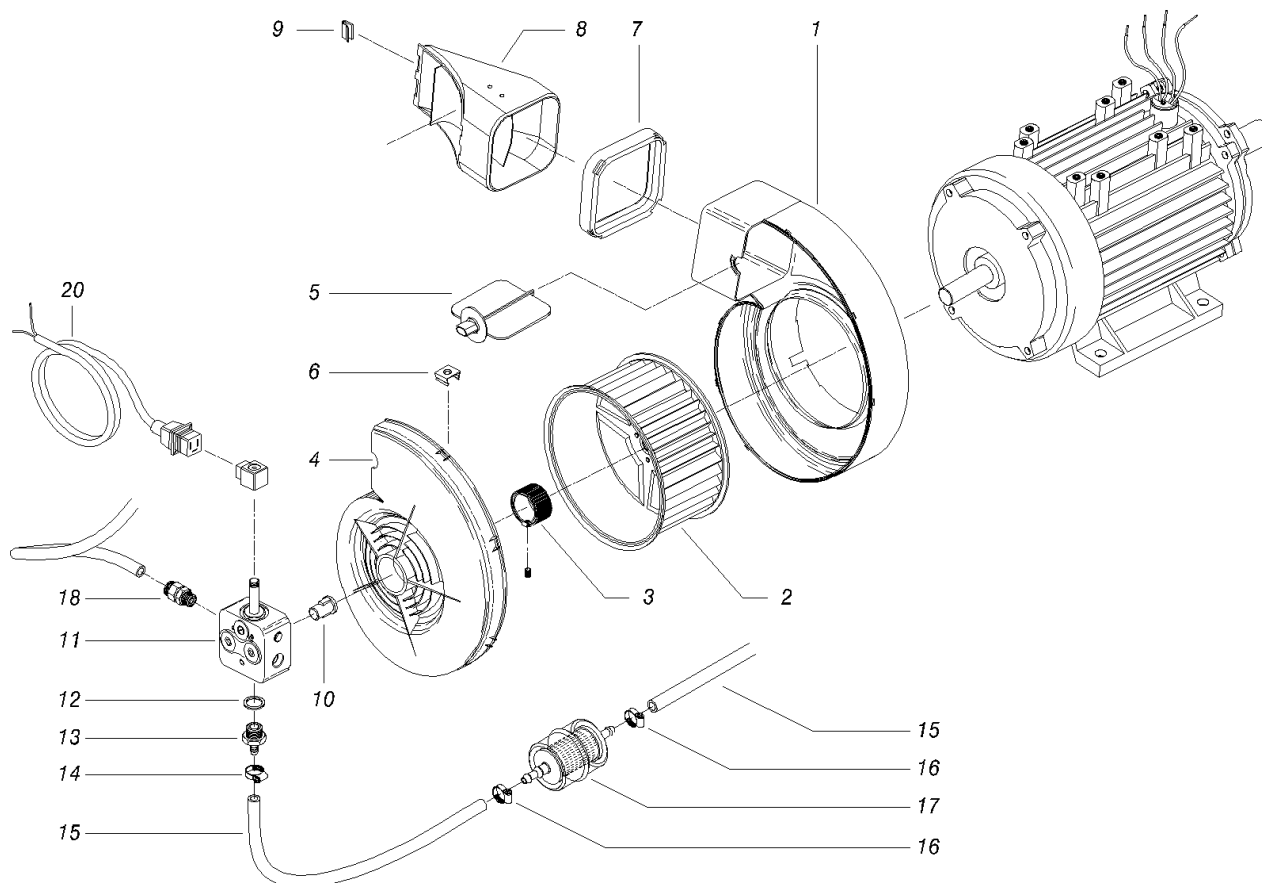
Ref. K	Part N.	Customer Part N.	Description	Qty	Validity:		Price
					From	To	
0047	MEVR27264		FUSE-HOLDER 031-1081	1,00			--



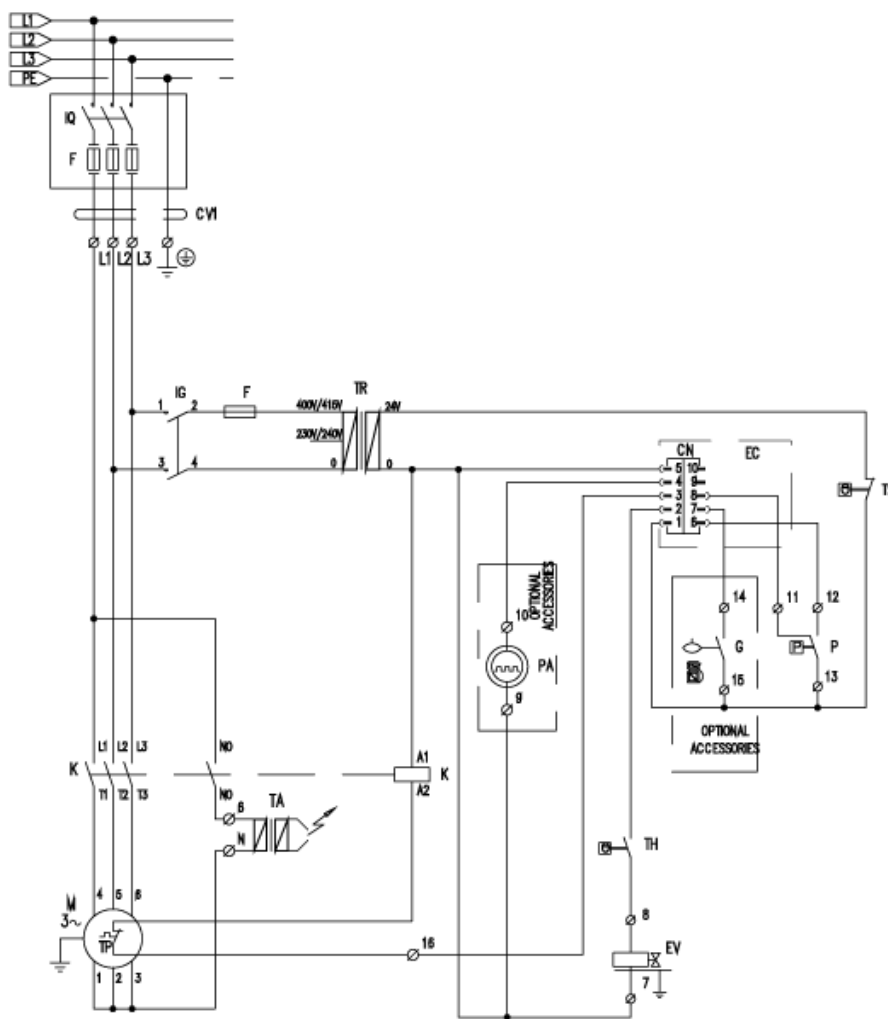
Ref.	K	Part N.	Customer Part N.	Description	Qty	Validity:		Price
						From	To	
0001		RCVR29602		CONNECTOR D. 1/2"-5/8" PTC	1,00			--
0002		GUGO37736		GASKET D. 10- 19 X 5 70SH	1,00			--
0002		RCVR29600		SOCKET PTC 3/4 F	1,00			--
0003		RCVR37806		REDUCTION PTC 3/4-1/2 M/F	1,00			--
0004		FTAC30214		FILTER D.15X67	1,00			--
0005		RCDS49875		RING NUT 1/2"X 6 CH.27 OT.	1,00			--
0006		VTRS00549		WASHER D.21,5X27X1.5 (1/2) RM	1,00			--
0007		TBBP40012		L.P. HOSE L=530 3/4F 0° -1/2M 0°	1,00			--
0008		RCVR40022		REDUCTION 3/4-1/2 M/F PPL GEO.L	1,00			--
0009		GUGO19395		O-RING D. 20.24 X 2.62 NBR 70SH	1,00			--
0010		RCVR40021		ELBOW 1/2" M/F PPL GEO.L	1,00			--
0011		PPAP40029		PUMP SJS 12.17 AX N OT. I.2.0	1,00			--
0012		MOTR40009		3PH MOTOR P190 HP 5,5 400-50 2PH9/X	1,00		02/2011	--
0012		MOTR40025		3PH MOTOR P190 HP 5,5 400-50 2PH9/E	1,00	03/2011		--
0013		TBAP40030		HOSE-FITTING 3/ 8 R1 L=480 3/8F90-PM26	1,00			--
0014		VVSC47427		VALVE MG 1000 G1/4M-M D.8 250B	1,00			--
0015		RCDS00593		SUMP IM 0-120 L=50	1,00			--
0016		MLML02623		SPRING IMT	1,00			--
0017		RCDS21118		CONNECTOR KSM	1,00			--
0018		RCDS21119		NUT KSM	1,00			--
0019		RCDS48935		BLOCK 3VIE 3/8-1/4 M14X1 F ZC	1,00			--
0021		RCDS13012		NIPPLE M22-3/8 D. 7.5	1,00			--
0023		FSVR72803		CLAMP D 9.3 - 9.9	1,00			--
0024		TBBP04917		L.P. HOSE D. 6- 9	1,00		04/2012	--
0024		TBBP93804		L.P. HOSE D. 6- 9	1,00	05/2012		--
0025		FSVR00427		CLAMP D. 12 CLIC 66-110	1,00		03/2011	--



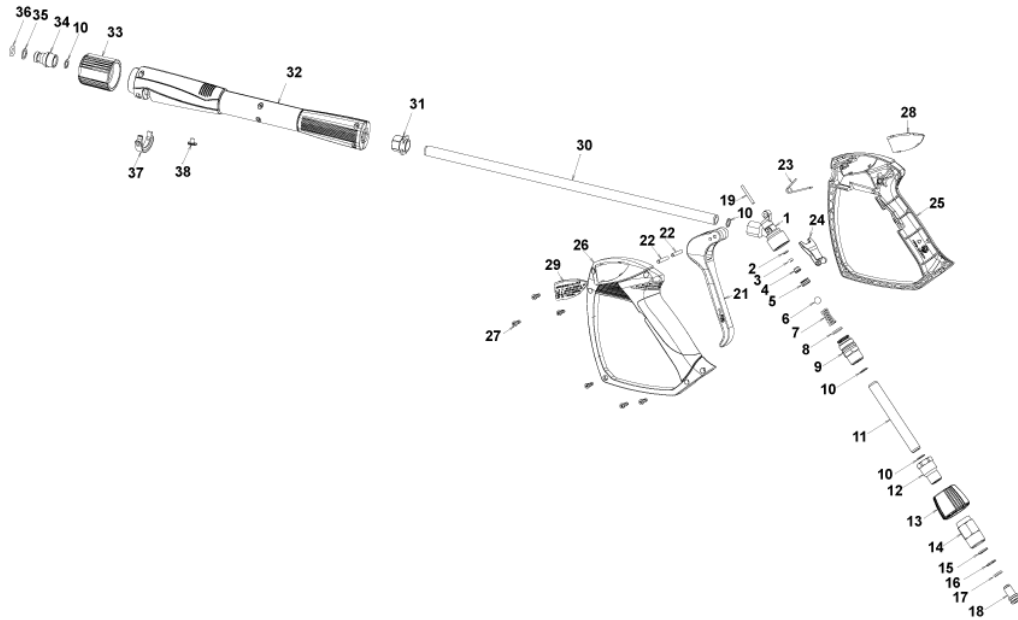
Ref.	K	Part N.	Customer Part N.	Description	Qty	Validity: From	To	Price
0001		GUGO21222		O-RING D. 15.54 X 2.62 VIT 80SH	2,00			--
0002		GUVR21021		ANTI-EXTR.RING D. 21 X17 TEF.	2,00			--
0003		RCDS21120		RING NUT M 26 X 1,5	2,00			--
0004		LAFN20108		RING D.298 KSM	1,00			--
0005		VTVR47052		SPLIT PIN "R" D. 2 X 43 ZC	1,00			--
0007		LAFN48448		BOILER BOTTOM KSM 2V. ZN	1,00			--
0008		LAFN48368		BAND KSM 2V. INX	1,00			--
0009		ITTE48373		BOTTOM KSM C.TE	1,00			--
0011		LAGR29730		DOUBLE COIL M26X1.5 SLR 26MT GZ.	1,00			--
0012		LAFN29735		INT. CYLINDER SLR INX	1,00			--
0013		LAFN48356		EXT. CYLINDER P190 26MT-V.KS	1,00			--
0014		GUVR25775		GASKET D. 105/88 X 3	1,00			--
0015		LAFN20055		NOSEPIECE KSM	1,00			--
0016		LAFN30294		BAFFLE KSM/AGN	1,00			--
0017		UGBR18630		BURNER NOZZLE 0.75 45 A	1,00			--
0018		MFVR88612		ELECTR.HOLDER KSM 1/8CN.	1,00	01/2005		--
0019		RCVR08954		ELBOW 1/8"-4 B5	1,00	03/2015		--
0019		RCVR08954		ELBOW 1/8"-4 B5	1,00		06/2013	--
0019		RCVR14014		BI-CONE CONNec.DTT 1/8"M B1 D. 2/ 4 NIK	1,00	07/2013	10/2013	--
0019		RCVR40126		BI-CONE CONNec.T 1/8"M/F D. 4/ 6C NK.	1,00	11/2013	02/2015	--
0019		RCVR72867		CONNECTOR A "T" 1/8" FFM	1,00	07/2013	10/2013	--
0019		RCVR89230		CAP G 1/8 M C/O-RING.	1,00	07/2013	02/2015	--
0020		MECA18232		ELECTRODE L=101.5 KSM	2,00			--
0021		LAFN20123		PLATE KSM INX	1,00			--
0022		TBCO40015		DIESEL HOSE P190 26MT D. 4 2V.	1,00	11/2013	03/2014	--
0022		TBCO40045		DIESEL HOSE P190 26MT D. 4 IX	1,00	09/2014		--
0022		TBCO48642		DIESEL HOSE P190 26MT D. 4	1,00		10/2013	--
0022		TBCO48642		DIESEL HOSE P190 26MT D. 4	1,00	03/2014	09/2014	--
0023		MECB34463		CABLE BT L=800 SP.	1,00			--
0024		MECV35334		CABLE A.T. 9,8-23KOHM/M L= 400P	2,00			--
0025		LAFN36603		CHIMNEY EXTENS.KSM H.45 INX	1,00			--



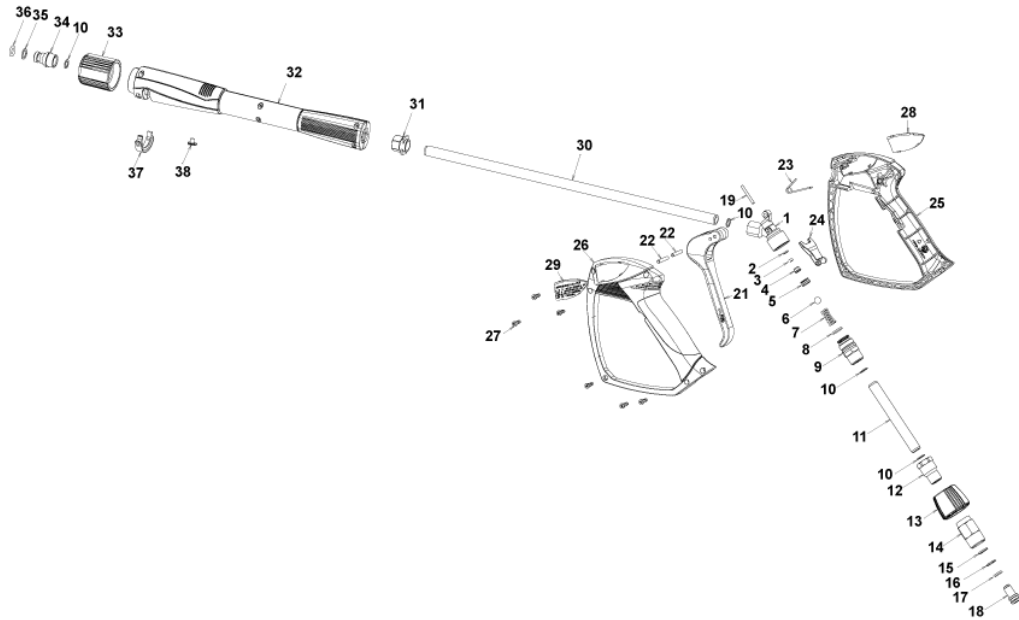
Ref.	K	Part N.	Customer Part N.	Description	Qty	Validity:		Price
						From	To	
0001		MPVR20125		SCROLL BODY KSM PP	1,00			--
0002		VEVR20128		IMPELLER KSM D.140 29P. PA66	1,00			--
0003		RCDS20417		BUSHING KSM	1,00			--
0003		LAFN21890		BUSHING D. 25	1,00			--
0004		MPVR20126		VENTILATOR COV.KSM PP	1,00			--
0005		MPVR20129		BUTTERFLY VALVEKSM PP	1,00			--
0006		VTVR20127		CLIP KSM	6,00			--
0006		VTVR20127		CLIP KSM	1,00			--
0007		GUGO20124		GASKET KSM	1,00			--
0008		MPVR48497		CONVEYOR P190 PA6 BK.	1,00			--
0009		MPVR21415		CLIP KSM	2,00			--
0010		FGGT49223		JOINT KSM/P190 2V. PP	1,00			--
0011		PPGS40002		FUEL PUMP DNF BFA 01R3R1	1,00			--
0012		VTRS04931		WASHER COPPER D.13X19X1.5	1,00			--
0013		RCDS00626		HOSE FITTING 1/4 M D. 5- 7	1,00			--
0014		FSVR00427		CLAMP D. 12 CLIC 66-110	2,00		10/2011	--
0014		FSVR11957		CLAMP D. 9.5-12 CLIC	2,00	10/2011		--
0015		TBCO06945		L.P. HOSE D. 6-12 10BAR C.PRESS	0,70	12/2003		--
0015		TBCO06945		L.P. HOSE D. 6-12 10BAR C.PRESS	0,65	12/2003		--
0016		FSVR11197		CLAMP D.I. 11 13315	2,00			--
0017		FTCO10912		FILTER FB 13/TA NYL.	1,00			--
0018		RCVR14014		BI-CONE CONNec.DTT 1/8"M B1 D. 2/ 4 NIK	1,00			--
0020		MECB18118		CABLE DLT L=1.600	1,00			--



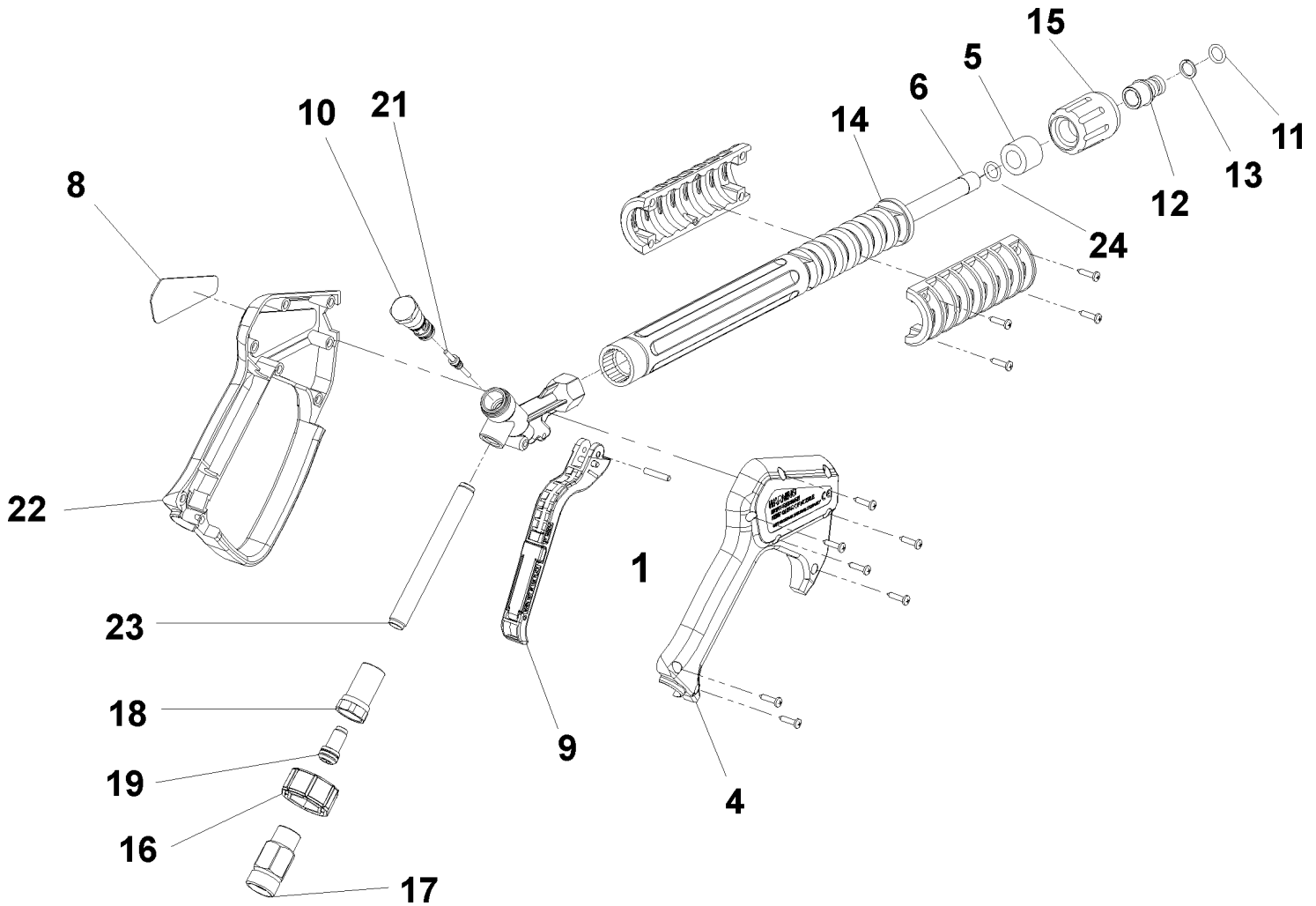
Ref.	K	Part N.	Customer Part N.	Description	Qty	Validity:		Price
						From	To	
F		MEVR02824		FUSE 5X20 1A	1,00			--
K		METT40008		CONTACTOR SIE 3RT 2016-1AB01 24V	1,00	10/2014		--
K		METT43990		CONTACTOR SIE 3RT 1017 1AB01 5/60HZ	1,00		09/2014	--
P		MEPF39902		PRESSURE SWITCHMTM 1/4M NA/NC 25B. MICRO	1,00		07/2012	--
P		MEPF76254		PRESSURE SWITCHPR 5 1/4M 25BAR	1,00	08/2012		--
EC		MECE40006		PCB P190 T-ST.3' AC/LIV.	1,00			--
EV		MEBE43704		COIL DNF 24-50	1,00	04/2011		--
IG		MECI01884		SWITCH TEC 12A HD1202 R000	1,00		06/2012	--
IG		MECI40020		SWITCH BRM BP. 0-1 12A	1,00	07/2012		--
TA		METR88630		TRANSFORMER 23/240V-5/60HZ 2X26KV TR.	1,00			--
TH		METK19354		THERMOSTAT 0-150° L=1500	1,00		12/2010	--
TH		METK40006		THERMOSTAT 0-150° L=1500 S&R	1,00	12/2010	12/2012	--
TH		METK40011		THERMOSTAT 0-150° L=1500 F&C	1,00	01/2013		--
TR		METR40003		TRANSFORMER 35VA 230-400/24 5/60HZ PM	1,00			--
TS		METK40007		THERMOSTAT 65°C NSP-040 PT RIPR.	1,00	04/2011		--
TS		METK49116		THERMOSTAT 65°C TG400 C.1,5 RIPR.	1,00		04/2011	--
CV1		MECB10518		CABLE H07 RNF 4X1.5 L=6.500	1,00			--
9999		MEVR46573		PLUG WMX 16A 3P+N+T INV.F IP44	1,00			--



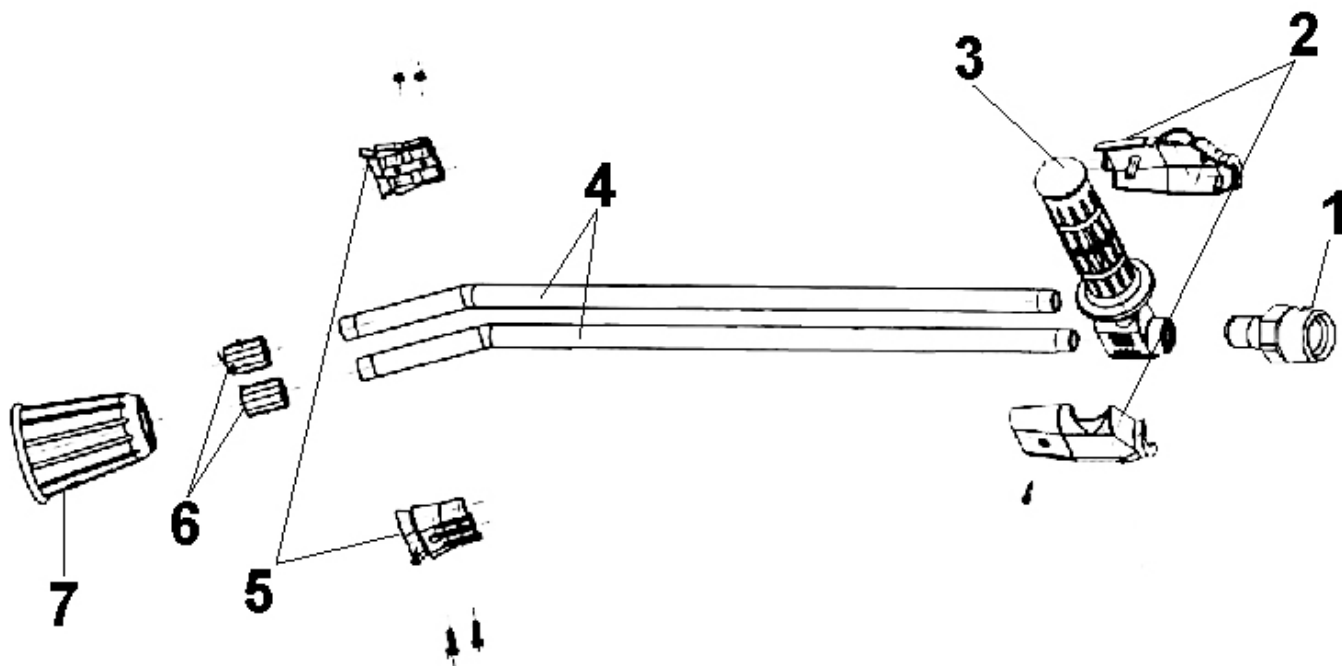
Ref.	K	Part N.	Customer Part N.	Description	Qty	Validity:		Price
						From	To	
0001		PVVR40381		GUN BODY G 5100 G1/4F	1,00			--
0002	S	GUVR40074		ANTI-EXTR.RING D. 3 X 7.4X1.3	1,00			--
0003	S	GUGO21835		O-RING D. 2.84 X 2.62 VIT. 80SH	1,00			--
0004		PVVR40382		PISTON GUIDE G 5100	1,00			--
0005	S	PVVR40112		BALL SEAT G 5000	1,00			--
0006	S	SFVR27026		BALL D.11/32" INX	1,00			--
0007		MLML40016		SPRING D. 9.4 x21.5x1.6 G5000	1,00			--
0008		GUGO12322		O-RING D. 14 X 1.78 NBR 90SH	1,00			--
0009		PVVR40383		CONNECTOR COLL.G5100 1/4F	1,00			--
0010		VTRS40017		WASHER D. 8,2X11,4X1,00 AL	4,00			--
0011		PVVR40384		TUBE G 1/4" L.105	1,00			--
0012		RCIN40022		CONNECTOR SWIV G5100 1/4F	1,00			--
0013		MPVR40486		RING NUT G 5100 SW. GR.	1,00			--
0014		RCIN40021		JOINT SWIV 5100 M22	1,00			--
0015	S	GUVR40075		ANTI-EXTR.RING D. 10 X14X1.5	1,00			--
0016	S	GUVR40076		ANTI-EXTR.RING D. 11.2X14X1.2	1,00			--
0017	S	GUGO15295		O-RING D. 10.82 X 1.78 VIT 80SH	1,00			--
0018		PVVR40386		SCREW SW. G 5100	1,00			--
0019		PVVR40387		SMALL PISTON G 5100	1,00			--
0021		MPVR40487		TRIGGER G 5100-SW	1,00			--
0022		VTVR40047		PLUG D. 4X29	2,00			--
0023		MLML40029		SPRING G 5100	1,00			--
0024		MPVR40488		SAFETY-DEVICE G 5100-SW	1,00			--
0025		MPVR40489		SHELL G 5100-SW DX	1,00			--
0026		MPVR40490		SHELL G 5100-SW SX	1,00			--
0027		VTVT40043		SCREW AF 4X 14 HILO ZN.N	6,00			--
0028		MPVR40491		PLATE G 5100 GR.DX	1,00			--
0029		MPVR40492		PLATE G 5100 GR.SX	1,00			--
0030		LCPR40086		TUBE 1/4 L=420 ZC. 0°	1,00			--
0031		MPVR40493		CONNECTOR G 5100-SW	1,00			--
0032		MPVR40494		PROTECTION P 420 C/AN.	1,00			--
0033		PVVR40119		CONNECTION M22X1,5 IRV G5000	1,00			--
0034		RCIN40009		GUDGEON G 1/4 F IRV G5000	1,00			--
0035		GUVR40034		ANTI-EXTR.RING D. 10 X14	1,00			--
0036		GUGO01946		O-RING D. 9.13 X 2.62 VIT 70SH	1,00			--
0037		MPVR40495		CAP G 5100 REM.	1,00			--
0038		MPVR40198		CAP G 5000	1,00			--



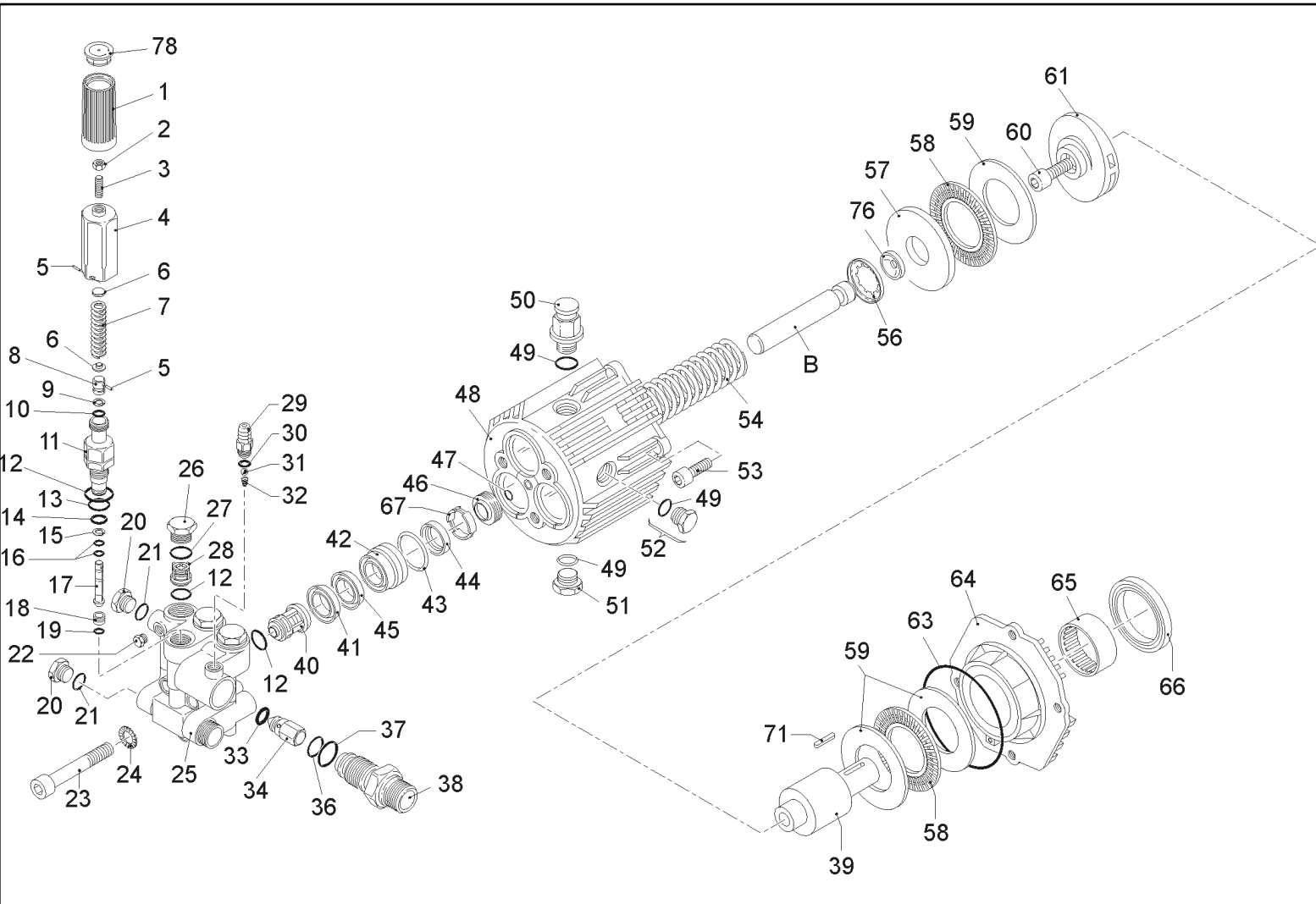
Ref. Part N.	Cust. Part N.	Description	Reference	Price
KTRI40242	KIT P	26- 25 G 5100	0002 0003 0005 0006	--
KTRI40243	KIT P	26- 25 SWIVEL G 5100	0015 0016 0017	--



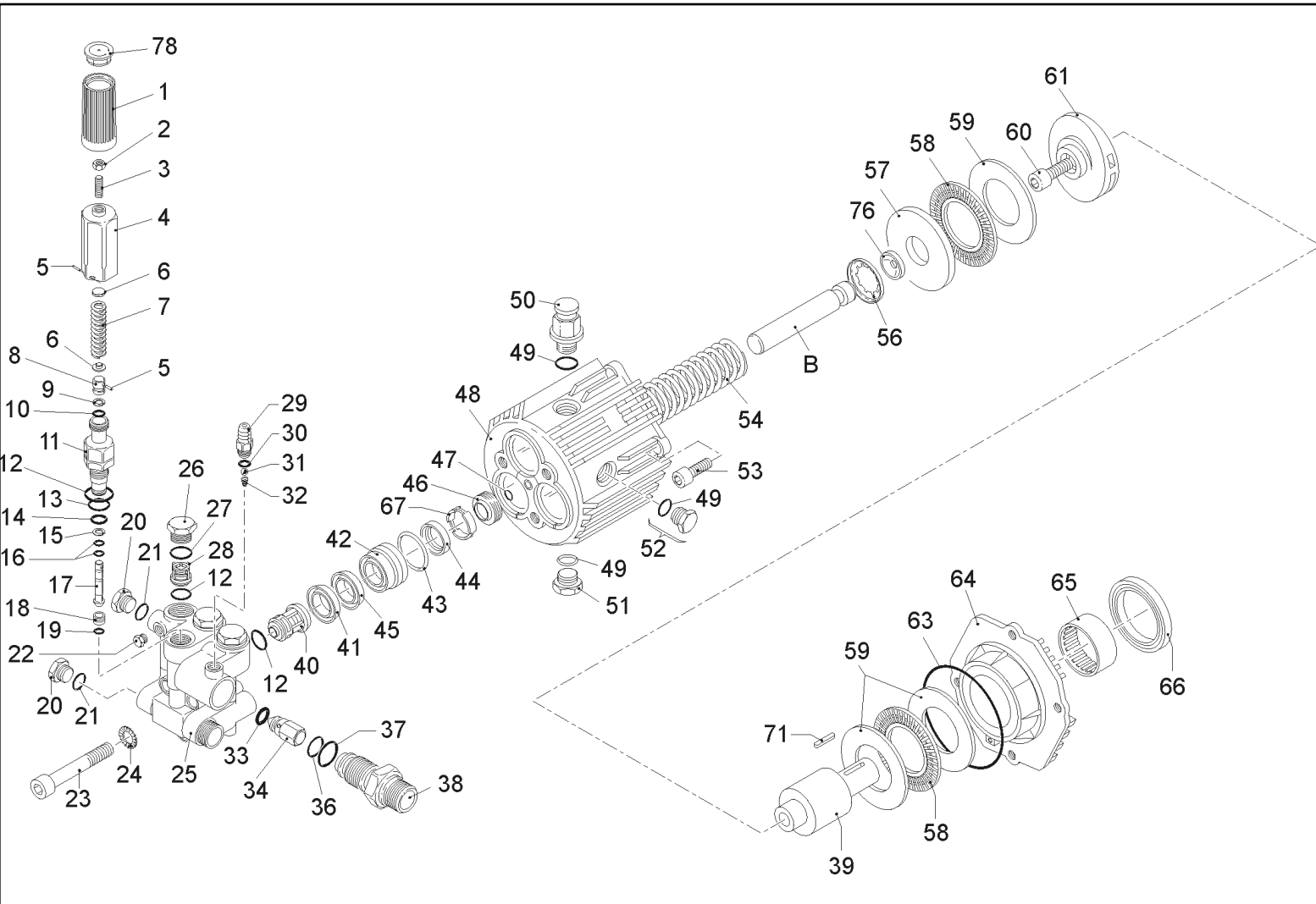
Ref. K	Part N.	Customer Part N.	Description	Qty	Validity:		Price
					From	To	
0001	VTVR46568		PLUG G 4500	1,00			--
0004	MPVR40157		COVER G 4500 2V.	1,00	05/2008		--
0004	MPVR46563		COVER G 4500	1,00		04/2008	--
0005	MPVR46572		SPACER P 330 ST	1,00			--
0006	LCPR40007		TUBE 1/4 L=352 ZC. 2V.	1,00	05/2008		--
0006	LCPR46571		TUBE 1/4 L=352 ZC.	1,00		04/2008	--
0008	MPVR46569		PLATE G 4500 RD.	1,00			--
0009	MPVR40057		TRIGGER G 4500 -SW	1,00			--
0010	PVVR40030		SMALL PISTON TM ST-2300	1,00			--
0011	GUGO10384		O-RING D. 10 X 2.2 VIT 80SH	1,00			--
0012	RCVR13030		GUDGEON G 1/4 F L=31.5	1,00			--
0013	GUVR10526		ANTI-EXTR.RING D.13.9X10.2 C.BZ	1,00			--
0014	MPVR46570		PROTECTION P 330 ST	1,00			--
0015	PVVR13445		CONNECTION M 22X1.5 L=45	1,00			--
0016	MPVR40058		RING NUT G4500 SW.	1,00			--
0017	RCIN40001		JOINT SWIV 4500 3/8"F	1,00		04/2008	--
0017	RCIN40005		JOINT SWIV 4500 3/8"F 2V.	1,00	05/2008		--
0018	RCIN31641		CONNECTOR SWIV 1500 F	1,00			--
0019	KTRI31645		KIT P 26- 14	1,00			--
0021	PVVR40031		ROD ST-2300	1,00			--
0022	MPVR40156		SHELL G 4500 2V.	1,00	05/2008		--
0022	MPVR46562		SHELL G 4500	1,00		04/2008	--
0023	PVVR40023		TUBE G 1/4" M/M P/SW.	1,00			--
0024	GUGO27021		O-RING D. 11 X 2.5 EPD 70SH	1,00	05/2008		--



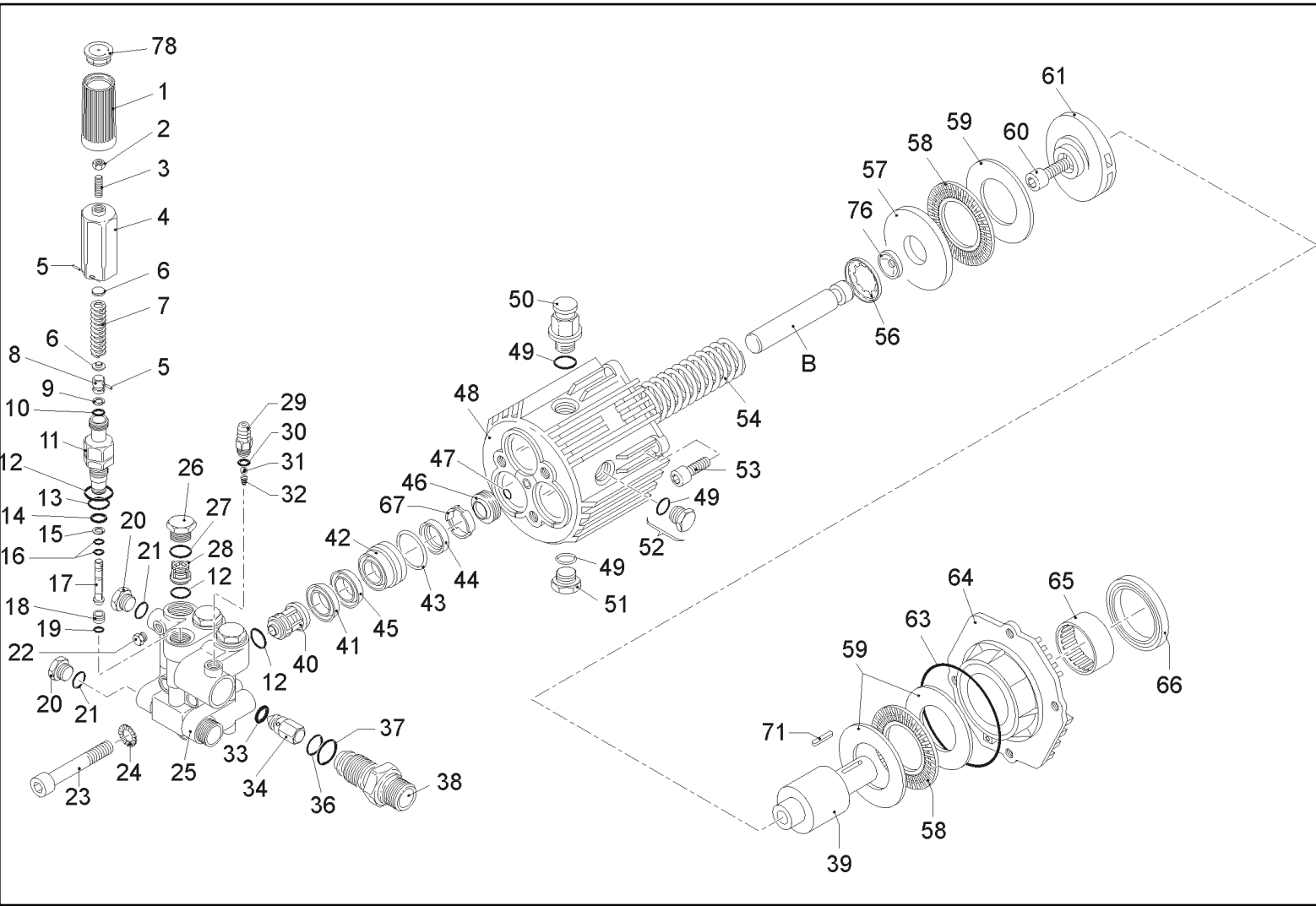
Ref. K	Part N.	Customer Part N.	Description	Qty	Validity:		Price
					From	To	
0001	PVVR45296		COUPLING G 1/4M -M22 M +PR.PLS	1,00			--
0002	MPVR45214		PROTECTION TB.1/4 MTM	1,00			--
0003	RCGR45737		TAP 1/8 F LD MTM	1,00			--
0004	LCPR45740		TUBE 1/8 L=660 INOX MTM	2,00			--
0005	MPVR45001		SHELL LD MTM	1,00			--
0006	RCVR45741		NOZZLE HOLDER 1/4-1/8 F MTM	2,00			--
0007	PVVR43810		PROTECTION L.D. MTM	1,00			--



Ref.	K	Part N.	Customer Part N.	Description	Qty	Validity:		Price
						From	To	
0001		MPVR40162		KNOB AR XJS	1,00			--
0002		VTDD00482		NUT M 6 ZIN UNI 5588	1,00			--
0003		VTVT20261		SCREW EI-ST 6X20 UNI5923	1,00			--
0004		PVVR40066		REGISTER AR XJS	1,00			--
0005	S	VTVR19193		PLUG D. 2.5X10	2,00			--
0006		PVVR40067		SPRING PLATE AR XJS	2,00			--
0007		MLML40007		SPRING D. 10.8X48.9 D.2.8 XJS	1,00			--
0008	S	PVVR40068		SMALL PISTON AR XJS SP.	1,00			--
0009	S	GUVR40026		ANTI-EXTR.RING D. 8	1,00			--
0010	S	GUGO06988		O-RING D. 7.66 X 1.78 NBR 70SH	1,00			--
0011	S	PVVR40069		PISTON GUIDE AR XJS	1,00			--
0012	S	GUGO02259		O-RING D. 15.54 X 2.62 NBR 70SH	7,00			--
0013	S	GUGO09720		O-RING D. 14 X 1.78 NBR 70SH	1,00			--
0014	S	GUGO63403		O-RING D. 8.73 X 1.78 NBR 70SH	1,00			--
0015	S	GUVR40027		ANTI-EXTR.RING D. 3.7	1,00			--
0016	S	GUGO19189		O-RING D. 2.90 X 1.78 NBR 70SH	2,00			--
0017	S	PVVR40070		CONTROL PISTON AR XJS IF.	1,00			--
0018	S	PVVR40071		VALVE SEAT AR XJS	1,00			--
0019	S	GUGO41692		O-RING D. 9 X 1 NBR 70SH	1,00			--
0020		RCVR01716		CAP 1/4X 7 M	2,00			--
0021		GUGO01036		O-RING D. 10.82 X 1.78 NBR 70SH	2,00			--
0022		RCDS19214		CAP 1/8 M	1,00			--
0023		VTVT40014		SCREW TCEI 10X65 UNI5931	3,00			--
0024		VTRS00519		WASHER D.10 DT	3,00			--
0025		MFVR40014		HEAD AR SJS OT.	1,00			--
0026		PVVR40072		CAP AR XJS	3,00			--
0027		GUGO03502		O-RING D. 17.86 X 2.62 NBR 70SH	3,00			--
0028	S	VVAM19220		VALVE UNIT XTS	3,00			--
0029		PVVR40073		VALVE SEAT 1/8M +PG. D.8 AR	1,00			--
0030		GUGO08071		O-RING D. 4.48 X 1.78 NBR 70SH	1,00			--
0031		SFVR04274		BALL D. 7/32	1,00			--
0032		MLML40008		SPRING D. 4	1,00			--
0033		GUGO12494		O-RING D. 4 X 2.5 -NBR 70SH	1,00			--
0034		PVVR40074		COUPLING N.RIT. XJS	1,00			--
0036		GUGO11652		O-RING D. 12.42 X 1.78 NBR 70SH	1,00			--
0037		GUGO03505		O-RING D. 15.6 X 1.78 NBR 70SH	1,00			--
0038		RCDS40057		CONNECTOR 3/8M-M18X1 D.2.0 OT.	1,00			--
0039		ALMO40004		SHAFT AR XJS 10 VRS. N	1,00			--
0040	S	VVAM40000		VALVE UNIT XJS BP	3,00			--



Ref.	K	Part N.	Customer Part N.	Description	Qty	Validity:		Price
						From	To	
0041	S	GUVR40028		PACKING D. 15 XJS	3,00			--
0042		PVVR40083		PACKING RETAIN.D. 15 SJS	3,00			--
0043	S	GUGO19290		O-RING D. 23.52 X 1.78 NBR 70SH	3,00			--
0044	S	PVVR40076		INTERMED. RING D. 15 XJS	3,00			--
0045	S	GUVR40029		PACKING D. 15 SJS	3,00			--
0046	S	GUGO40009		OIL SEAL D. 15 XJS	3,00			--
0047	S	GUGO10464		O-RING D. 5.28 X 1.78 NBR 70SH	1,00			--
0048		MFVR40012		PUMP CRANKCASE AR XJS	1,00			--
0049		GUGO09720		O-RING D. 14 X 1.78 NBR 70SH	3,00			--
0050		PVVR40078		OIL CAP AR XJS	1,00			--
0051		RCVR12243		CAP 3/8M L=10	1,00			--
0052		PVVR40079		CAP G 3/8 C/OR XJS	1,00			--
0053		VTVT00801		SCREW TCEI M 8X20 UNI 5931 ZC.	4,00			--
0054		MLML40009		SPRING AR XJS	3,00			--
0055	S	PIVR40003		PISTON D.15 SJS	3,00			--
0056		PVVR40080		RING D.15 XJS	3,00			--
0057		CUVR40005		THRUST BLOCK D. X60H6	1,00			--
0058		CUVR92973		ROLLER BEARING AXK 4060	2,00			--
0059		CUVR92974		FLANGE D. 40X60-1 AS4060	3,00			--
0060		VTVT01118		SCREW TCEI M 8X16 ZC. UNI 5931	1,00			--
0061		PVVR40084		CAP SJS 12.17	1,00			--
0063		GUGO28317		O-RING D. 82.22 X 2.62 NBR 70SH	1,00			--
0064		MFVR40013		FLANGE AR XJS	1,00			--
0065		CUVR40004		ROLLER BEARING HK 4020	1,00			--
0066	S	GUGO23638		OIL SEAL 40X 52X 7 NBR70	1,00			--
0067		PVVR40082		SPACER D. 15 XJS	1,00			--
0071		VTVR10885		KEY 8X7X25	1,00			--
0076		PVVR40085		SPRING PLATE AR SJS	3,00			--
0078		MPVR40163		CAP AR XJS	1,00			--



Ref. Part N.	Cust. Part N.	Description	Reference	Price
KTRI40072		KIT P 15-42910 XJS	0012 0028 0040	--
KTRI40074		KIT P 15-42907 XJS	0046 0047 0066	--
KTRI40076		KIT P 15-2513 SJS	0055	--
KTRI40077		KIT P 15-2167 SJS D.15	0041 0043 0044 0045	--
KTRI40129		KIT P 15-2799 XJS INT.VALVE	0005 0008 0009 0010 0011 0012 0013 0014 0015 0016 0017 0018 0019	--