



IPC Integrated Professional Cleaning

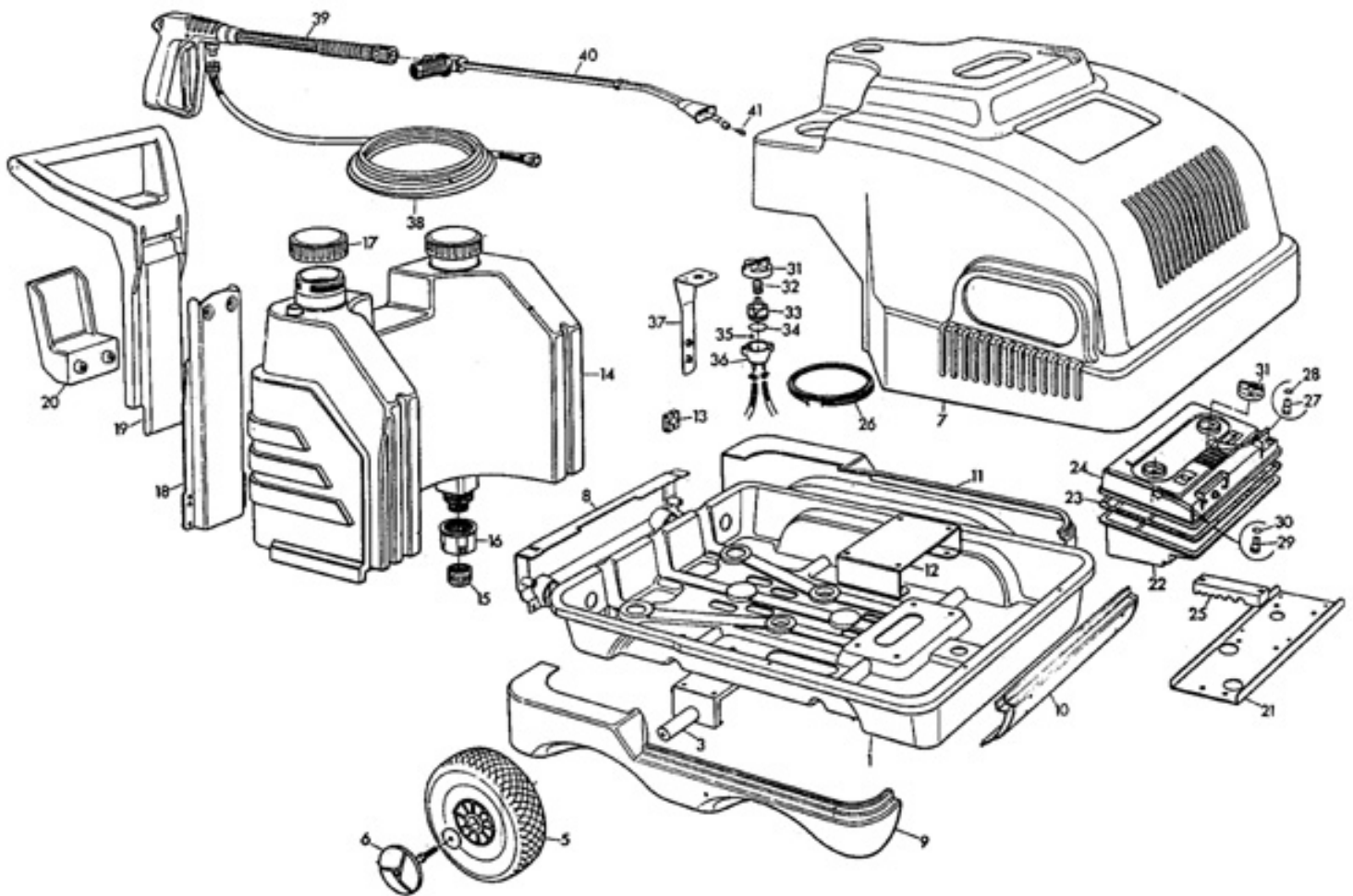
IPC Portotecnica

Spare Parts List

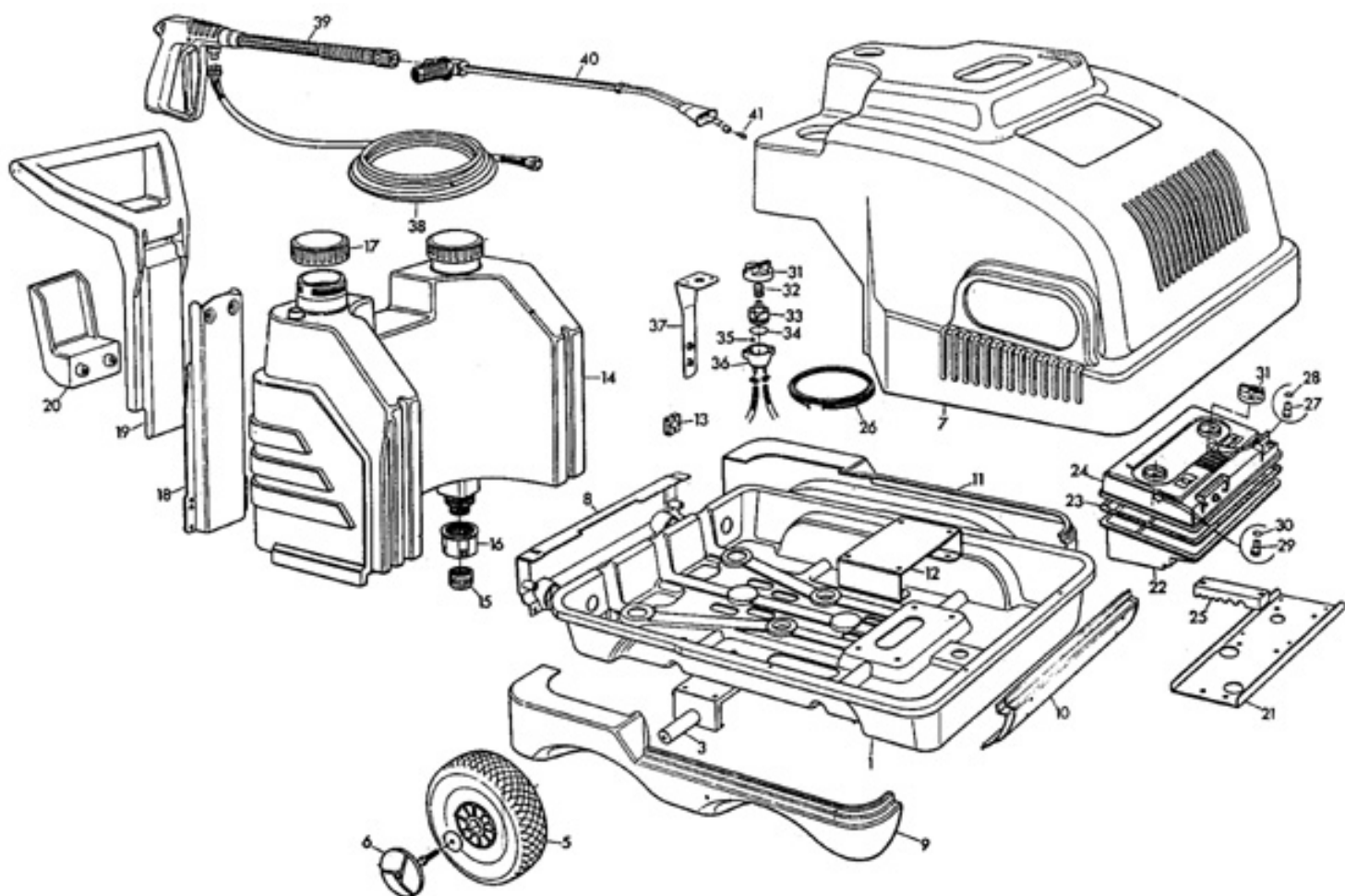
IPF ENGINEERING LTD

Ref: IDAC42566

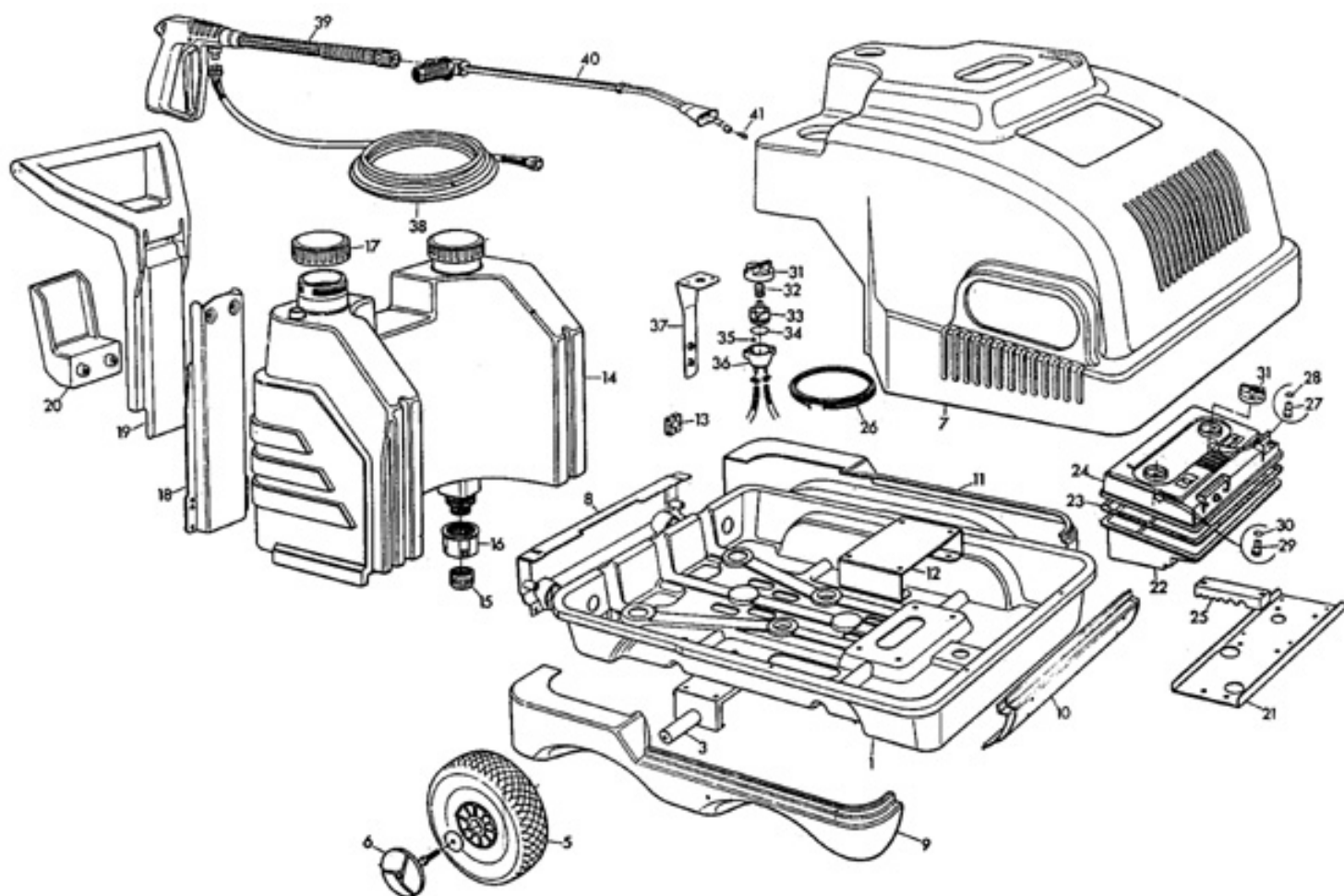
Model: IDROP SOLAR DS 2220 T 400/50 3-01IPF



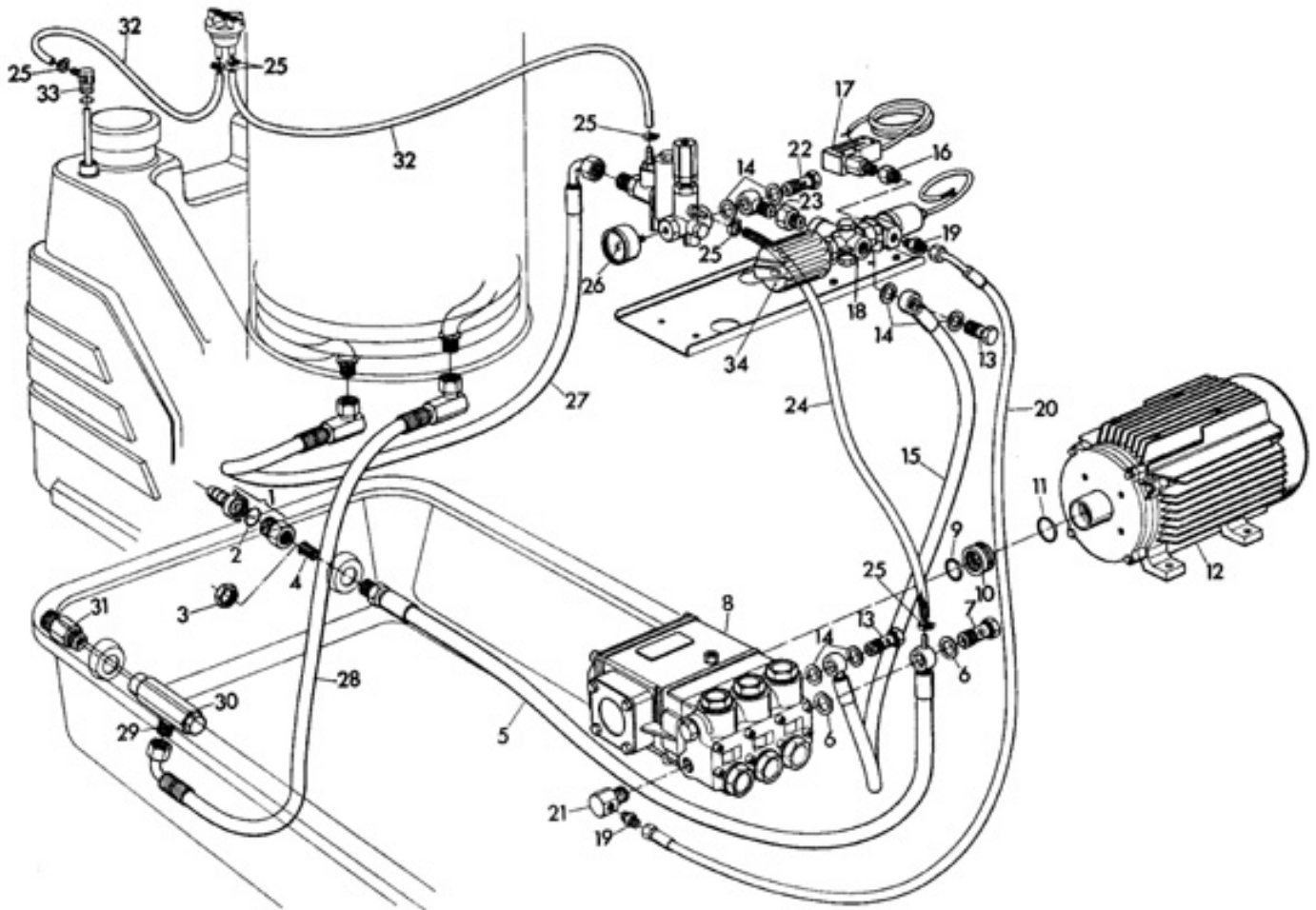
Ref.	K	Part N.	Customer Part N.	Description	Qty	Validity:		Price
						From	To	
0001		LAFN19944		CHASSIS KSM	1,00	12/1997		--
0003		LAFN39505		TROLLEY AXLE SLV J.	2,00	07/1999		--
0003		RTRT30566		WHEEL D.250-D.25X 88 P. NYL	4,00	12/1997	02/2008	--
0003		RTRT40002		WHEEL D.260 3.00-4 D.25 S.PI.NY	4,00	02/2008		--
0006		MPVR28995		GREY HUB CAP D. 110	4,00	12/1997		--
0007		MPVR46178		RED COVER SLR PP C/F.DT	1,00	12/1997		--
0008		MPVR29635		BAND SLR PST	1,00	12/1997		--
0009		MPVR29634		BAND SLR DX	1,00	12/1997		--
0010		MPVR29636		BAND SLR ANT	1,00	12/1997		--
0011		MPVR29633		BAND SLR SX	1,00	12/1997		--
0012		LAFN29468		MOTOR PLATE SLR	1,00	12/1997		--
0013		MEVR20906		CABLE FASTNER KSM	1,00	12/1997		--
0014	S	MPVR20135		TANK KOSMIC J.	1,00	12/1997		--
0015	S	PVVR11806		DISCHARGE CAP FLL	2,00	12/1997		--
0016	S	MPVR20187		RING NUT M 39 X 3	2,00	12/1997		--
0017	S	MPVR20418		TANK CAP KSM	2,00	12/1997		--
0018		LAFN19954		SUPPORT KSM	1,00	12/1997		--
0019		MPVR27897		HANDLE AGN "ELK"	1,00	12/1997		--
0020		LAFN20105		HOSE SUPPORT KSM	1,00	12/1997		--
0021		LAFN30905		SUPPORT PLATE SLR 3V.	1,00	12/1997		--
0022		LAFN20138		CONTROL BOX KSM ABS BK.	1,00	02/2002		--
0023		GUGO27129		JOINT 10X3	1,05	02/2002		--
0024		LAFN20139		BOX COVER KSM M.	1,00	02/2002		--
0025		MPVR20143		CABLE CLAMP COVKSM	1,00	02/2002		--
0026		MECB43948		CABLE H07 RNF 4X1.5 L=6.500 SP.	1,00			--
0027		MPVR23484		TAIL PIECE THERM.KSM TUV	1,00	02/2002		--
0028		GUGO01035		O-RING D. 13.95 X 2.62 NBR 70SH	1,00	02/2002		--
0029		MPVR10083		TAIL PIECE OKA L=22	1,00	02/2002		--
0030		GUGO23079		V-SEAL RING VA0014 13.5- 15.5	1,00	02/2002		--
0032		MLML08068		SPRING D.1.5 L.23	1,00	12/1997		--
0032		MPVR20190		GREY KNOB KSM	2,00	12/1997	11/2007	--
0032		MPVR46511		GREY KNOB KSM C/F.FIS.	2,00	11/2007		--
0033		RCGR08070		ADJUSTER PRT	1,00	12/1997		--
0034		GUGO12183		O-RING D. 23.4 X 3.53 VIT 70SH	1,00	12/1997		--
0035		GUGO08071		O-RING D. 4.48 X 1.78 NBR 70SH	1,00	12/1997		--
0036		RCGR08069		TAP BODY DET. PRT	1,00	12/1997		--
0037		LAFN29259		SUPPORT DIAM.	1,00	12/1997		--
0038		TBAP25324		H.P. HOSE R1 MT 10 5/16" C/2 IRV ZC	1,00	12/1997		--
0039		IPPR43065		GRIP G 2200 +PR.330 +M22 M	1,00	04/2000	03/2007	--



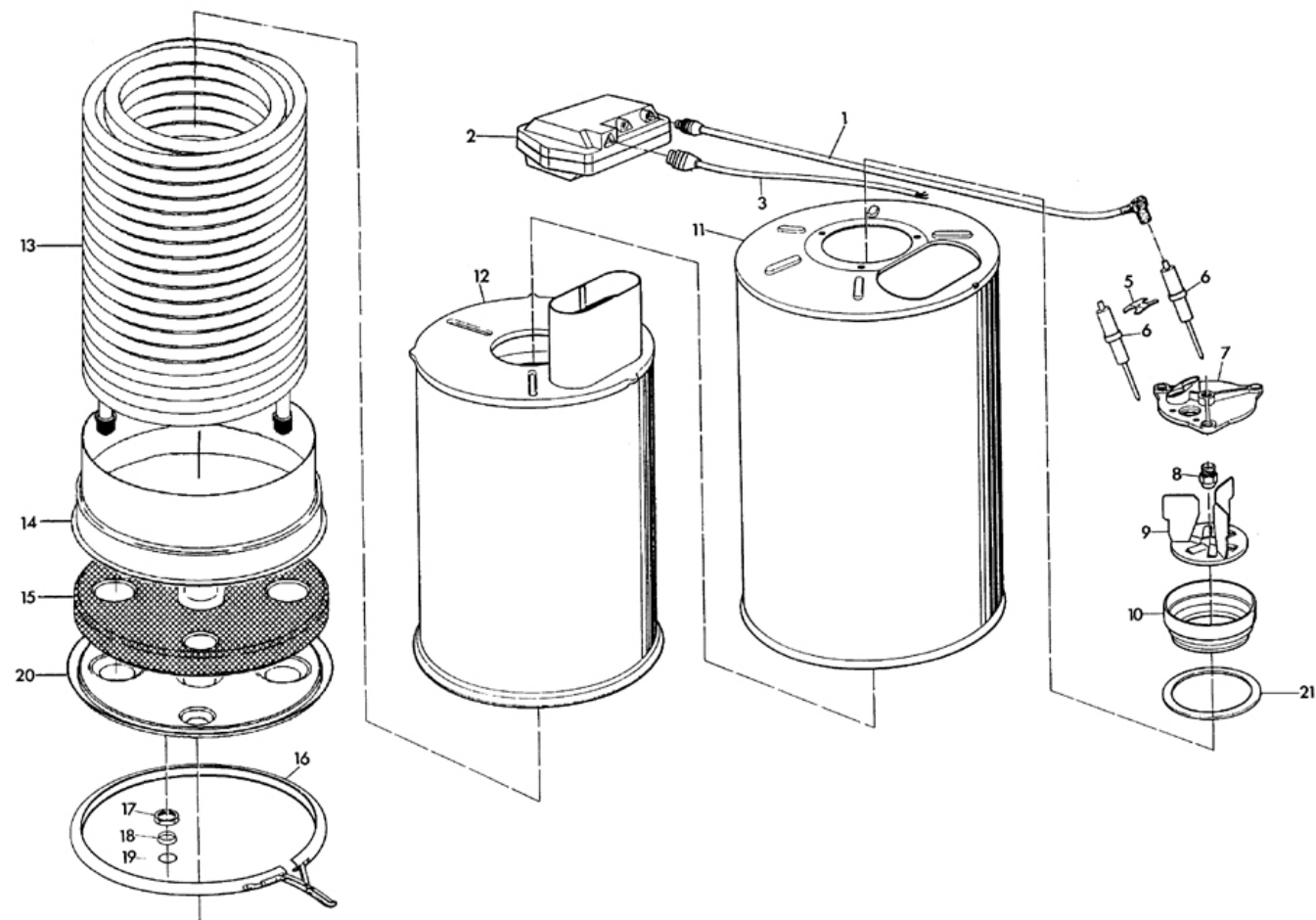
Ref. K	Part N.	Customer Part N.	Description	Qty	Validity:		Price
					From	To	
0039	IPPR89429		GRIP G 4500 - P.330 -M22SW.M V	1,00	03/2007		--
0040	LCPR12982		DOUBLE EXTENS. PD 50	1,00	04/2006	03/2007	--
0040	LCPR12983		DOUBLE EXTENS. PD 70	1,00	03/2007		--
0041	UGLN04650		NOZZLE 1/4 1504	1,00	11/2005	04/2006	--
0041	UGLN05174		NOZZLE 1/4 5040 OT	1,00	12/1997	11/2005	--
0041	UGLN49986		NOZZLE LECH 1/4 1504	1,00	04/2006		--
0042	MEVR27264		FUSE-HOLDER 031-1081	2,00	02/2002		--
041A	UGLN05174		NOZZLE 1/4 5040 OT	1,00	04/2006		--
9999	KTRI16996		KIT P 33- 1	1,00	01/2003		--



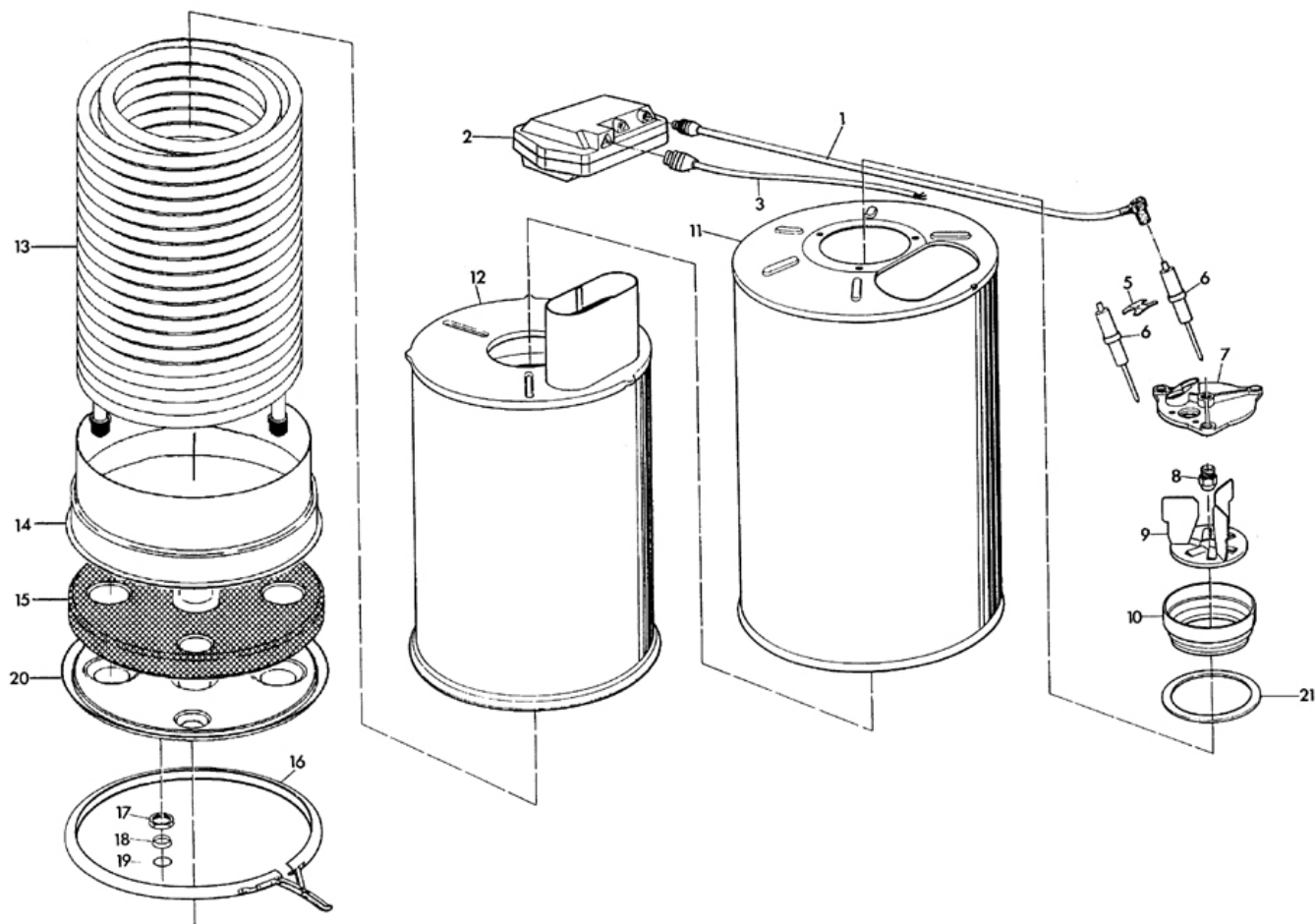
Ref. Part N.	Cust. Part N.	Description	Reference	Price
KTRI22524		KIT P 23- 1	0014 0015 0016 0017	--



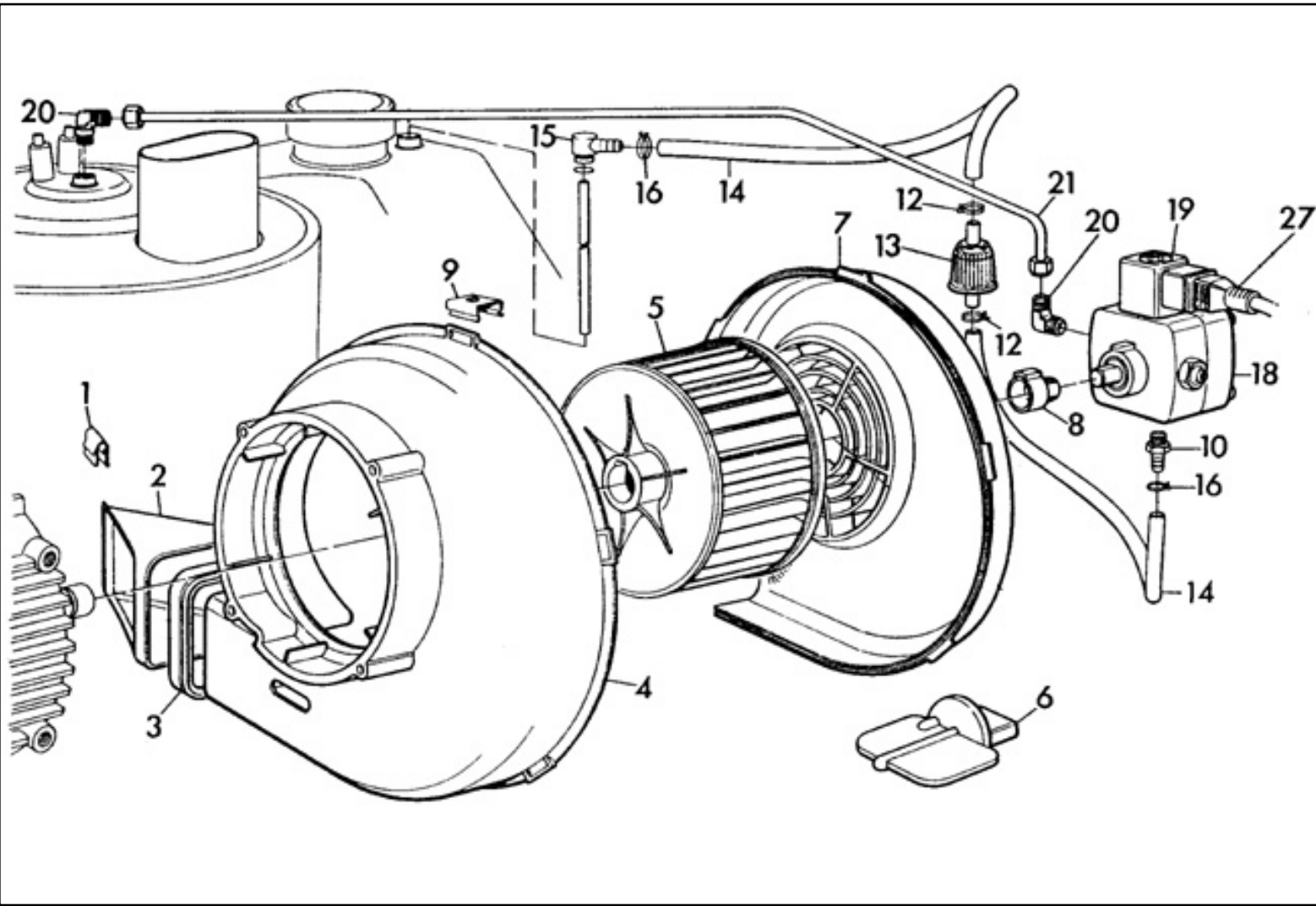
Ref.	K	Part N.	Customer Part N.	Description	Qty	Validity:		Price
						From	To	
		UGLN02287		NOZZLE 1/4 2504	1,00	12/1997	11/2005	--
0001		RCDS08965		HOSE FITTING OTT.	1,00	12/1997		--
0002		GUGO01054		O-RING D. 15.08 X 2.62 NBR 70SH	1,00	12/1997		--
0003		RCDS21223		RING NUT 1/2" X 5 NIK	1,00	12/1997	11/2003	--
0003		RCDS49875		RING NUT 1/2"X 6 CH.27 OT.	1,00	12/2003		--
0004		FTAC30214		FILTER D.15X67	1,00	12/1997		--
0005		TBBP30212		L.P. HOSE L=960 1/2M0° -1/2OC.	1,00	03/1998		--
0006		VTRS00549		WASHER D.21,5X27X1,5 (1/2) RM	1,00	12/1997		--
0007		RCDS10271		SCREW G 1/2 L=41.5	1,00	12/1997		--
0008		PPAP12319		PUMP WW141 DX	1,00	12/1997		--
0009		GUGO21339		O-RING D. 29.82 X 2.62 VIT 70SH	1,00	12/1997		--
0010		RCDS25578		BUSHING IP WW141 OT.	1,00	12/1997		--
0011		GUGO21337		O-RING D. 25.07 X 2.62 VIT 70SH	1,00	12/1997		--
0012		MOTR29465		3PH MOTOR SLR HP4.5 380-50 2P H90ED	1,00	05/2005		--
0012		MOTR31469		3PH MOTOR SLR HP4.5 400-50 2P IP SG	1,00	12/1997	05/2005	--
0013		RCDS01371		SCREW G 3/8 A.P.	2,00	12/1997		--
0014		VTRS00548		WASHER D.17,5X23X1,5 (3/8)RM	1,00	12/1997		--
0015		TBAP30199		HOSE-FITTING 3/ 8 R2 L=400 3/8OC-3/8OC	1,00	12/1997		--
0016		RCVR03984		SLEEVE 1/4 M/F A5/Z	1,00	02/2002		--
0017		MEPF39901		PRESSURE SWITCHMTM 1/4M NA/NC 15B. MICRO	1,00	02/2002		--
0018		VVAZ15529		VALVE ST 261 - SWITCH	1,00	02/2002		--
0020		TBAP30223		POLYAMIDE HOSE 1/4 L=370 1/4 90° -1/40°	1,00	12/1997		--
0021		RCDS30201		CONNECTOR G 1/2M -1/4F 90° ST 261	1,00	12/1997		--
0022		RCDS30203		SCREW M16X1.5	1,00	12/1997		--
0023		RCDS30209		CONNECTOR O. 3/8 - G3/8M L=46	1,00	02/2002		--
0024		TBCO06945		L.P. HOSE D. 6-12 10BAR C.PRESS	0,30	12/1997		--
0025		FSVR00427		CLAMP D. 12 CLIC 66-110	2,00	12/1997		--
0026		MNMN18650		PRESSURE GAUGE 0-300 D.40	1,00	12/1997		--
0027		TBAP29728		HOSE-FITTING 3/ 8 R2 L=530 3/8F90-PM26	1,00	12/1997		--
0028		TBAP20184		HOSE-FITTING 3/ 8 R2 L=320 3/8F90-PM26	1,00	12/1997		--
0029		RCDS20186		NIPPLE 3/8 - 14X1.5 SV	1,00	12/1997		--
0030		RCDS19322		BLOC BODY 3/8F-M14	1,00	12/1997		--
0031		RCDS13012		NIPPLE M22-3/8 D. 7.5	1,00	12/1997		--
0032		TBBP00051		DETERGENT HOSE D. 6-12	1,40	12/1997		--
0033		RCDS20136		SUCTION L= 355 C.	1,00	12/1997		--
0034		MPVR09436		BLACK KNOB ST 260	1,00	12/1997		--



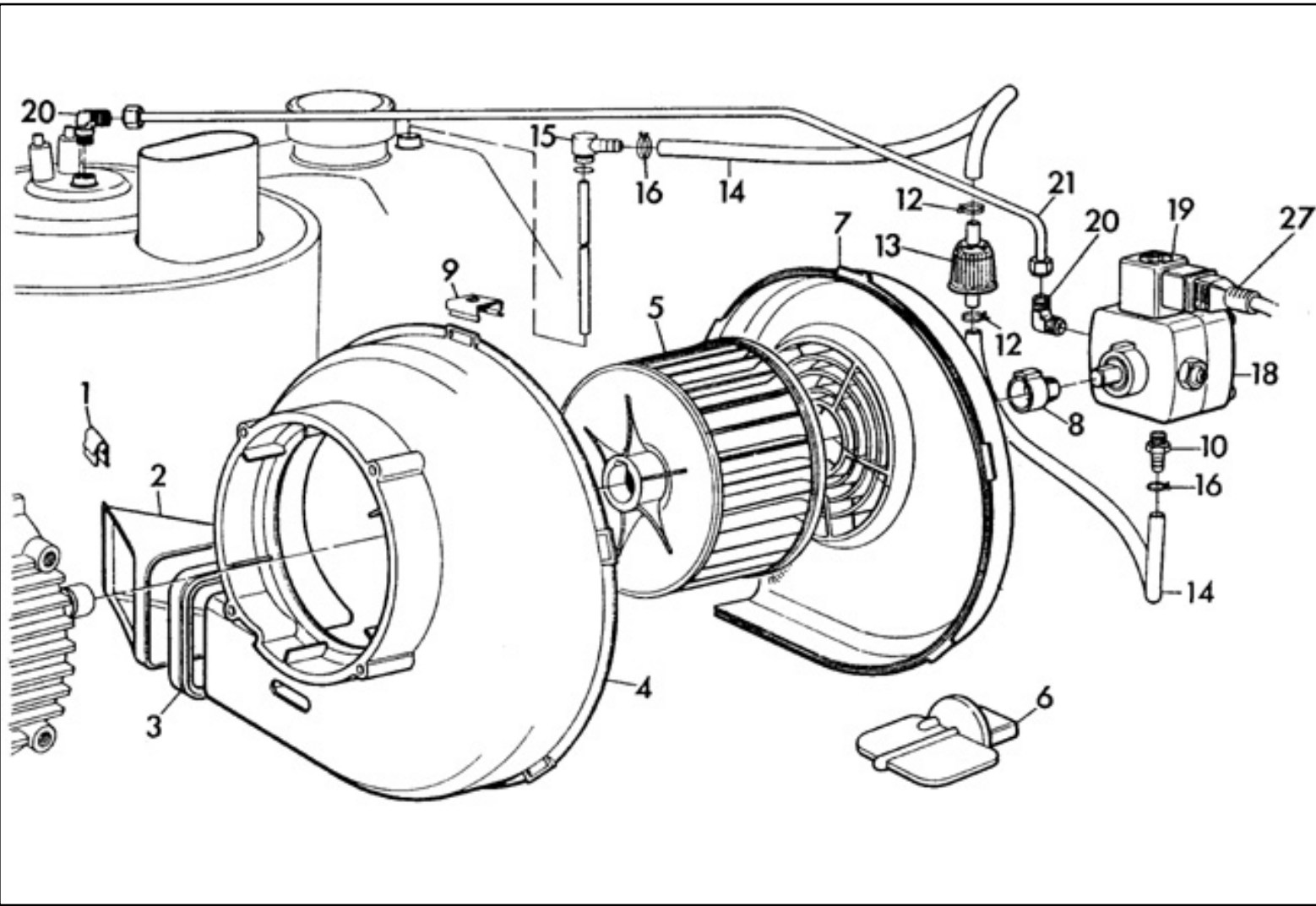
Ref.	K	Part N.	Customer Part N.	Description	Qty	Validity:		Price
						From	To	
0001		MECV35336		CABLE A.T. 9.8-23KOHM/M L= 750P	2,00	02/2002	--	--
0002		METR34464		TRANSFORMER 230V-50HZ 2X4000V SP4 CM	1,00	02/2002	--	--
0003		MECB34463		CABLE BT L=800 SP.	1,00	02/2002	--	--
0005	S	LAFN20123		PLATE KSM INX	1,00	12/1997	--	--
0006	S	MECA18232		ELECTRODE L=101.5 KSM	2,00	12/1997	--	--
0007		MFVR19964		ELECTR.HOLDER KSM	1,00	12/1997	01/2005	--
0007		MFVR88612		ELECTR.HOLDER KSM 1/8CN.	1,00	01/2005	--	--
0008		UGBR18630		BURNER NOZZLE 0.75 45 A	1,00	12/1997	--	--
0009		LAFN30295		BAFFLE SLR	1,00	12/1997	--	--
0010		LAFN29774		NOSEPIECE SLR	1,00	12/1997	--	--
0011		LAFN29733		EXT. CYLINDER SLR INX	1,00	12/1997	--	--
0012		LAFN29735		INT. CYLINDER SLR INX	1,00	12/1997	--	--
0013		LAFN29731		DOUBLE COIL M26X1.5 SLR 26M	1,00	12/1997	--	--
0014		GUGO27129		JOINT 10X3	1,05	11/2000	01/2002	--
0014		GUVR21756		FIB.GLASS CORD D. 12 GR/M 25	0,85	12/1997	04/2003	--
0014		LAFN48368		BAND KSM 2V. INX	1,00	04/2003	--	--
0015		ITTE48373		BOTTOM KSM C.TE	1,00	04/2003	--	--
0016		LAFN20108		RING D.298 KSM	1,00	12/1997	--	--
0017	S	RCDS21120		RING NUT M 26 X 1,5	2,00	12/1997	--	--
0018	S	GUVR21021		ANTI-EXTR.RING D. 21 X17 TEF.	2,00	12/1997	--	--
0019	S	GUGO21222		O-RING D. 15.54 X 2.62 VIT 80SH	2,00	12/1997	--	--
0020		LAFN20109		BOILER BOTTOM KSM D.280	1,00	12/1997	04/2003	--
0020		LAFN48448		BOILER BOTTOM KSM 2V. ZN	1,00	04/2003	--	--
0021		GUVR25775		GASKET D. 105/88 X 3	1,00	12/1997	--	--



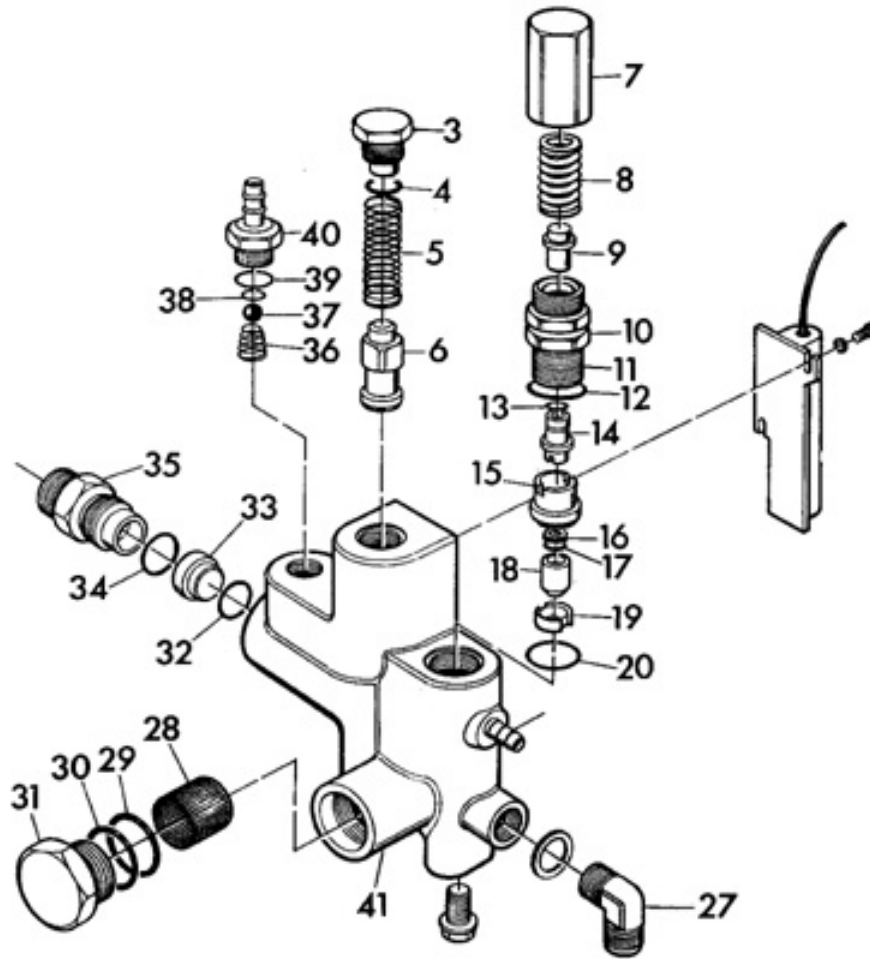
Ref. Part N.	Cust. Part N.	Description	Reference	Price
KTRI22585	KIT P	25- 1	0017 0018 0019	--
KTRI22586	KIT P	19- 5	0005 0006	--



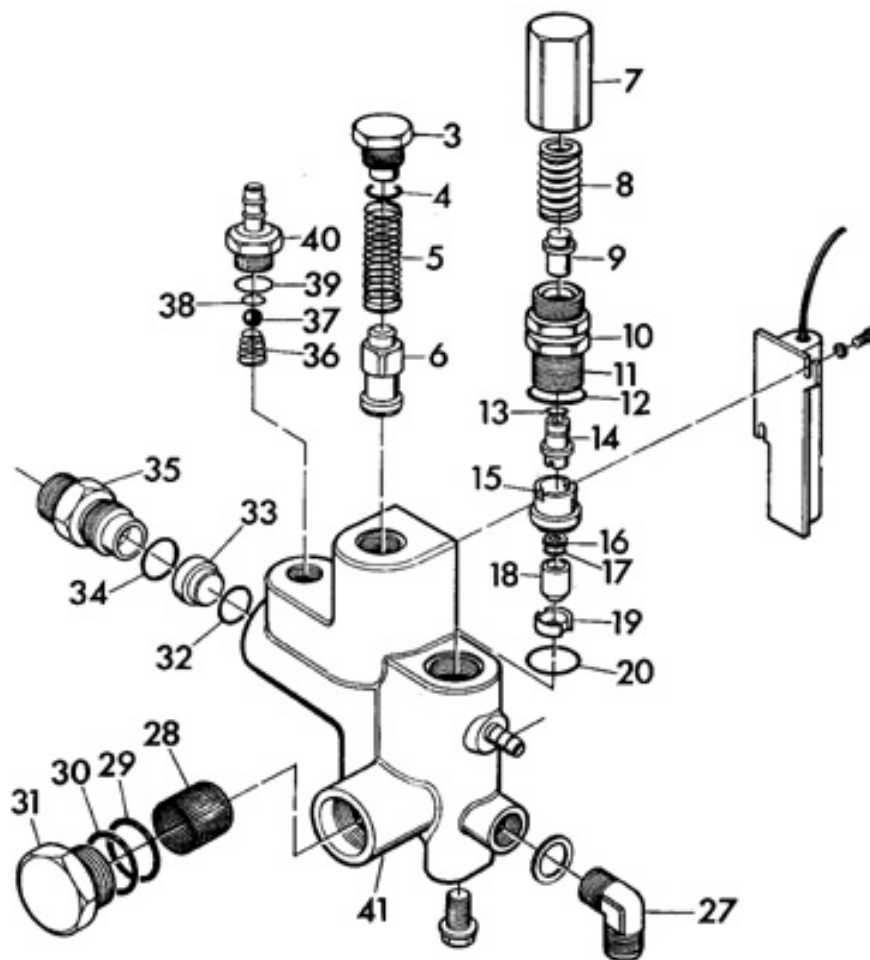
Ref.	K	Part N.	Customer Part N.	Description	Qty	Validity:		Price
						From	To	
0001	S	MPVR21415		CLIP KSM	2,00	12/1997		--
0002		MPVR20114		CONVEYOR KSM	1,00	12/1997		--
0003		GUGO20124		GASKET KSM	1,00	12/1997		--
0004		MPVR20125		SCROLL BODY KSM PP	1,00			--
0005		VEVR29207		IMPELLER SLR D.137-80 D.19 SX	1,00	12/1997		--
0006		MPVR20129		BUTTERFLY VALVEKSM PP	1,00			--
0007		MPVR20126		VENTILATOR COV.KSM PP	1,00			--
0008		FGGT20133		JOINT KSM	1,00	12/1997	06/2006	--
0008		FGGT49223		JOINT KSM/P190 2V. PP	1,00	06/2006		--
0009	S	VTVR20127		CLIP KSM	5,00			--
0010		RCDS00626		HOSE FITTING 1/4 M D. 5- 7	1,00	12/1997		--
0012	S	FSVR11197		CLAMP D.I. 11 13315	2,00	12/1997		--
0013	S	FTCO10912		FILTER FB 13/TA NYL.	1,00	12/1997		--
0016		FSVR00427		CLAMP D. 12 CLIC 66-110	2,00	12/1997		--
0018		FTCO88927		FUEL FILTER S.AL	1,00	01/2005		--
0018		PPGS18926		FUEL PUMP DLT VM1RR15	1,00	12/1997	12/2004	--
0018		PPGS40011		FUEL PUMP DNF BFA 01R3L1	1,00	04/2011		--
0018		PPGS48503		FUEL PUMP DLT ALLUM. A1R1	1,00	01/2005	04/2011	--
0021		TBCO29747		DIESEL HOSE D. 4 SLR	1,00	12/1997		--
0027		MECB18118		CABLE DLT L=1.600	1,00	02/2002		--



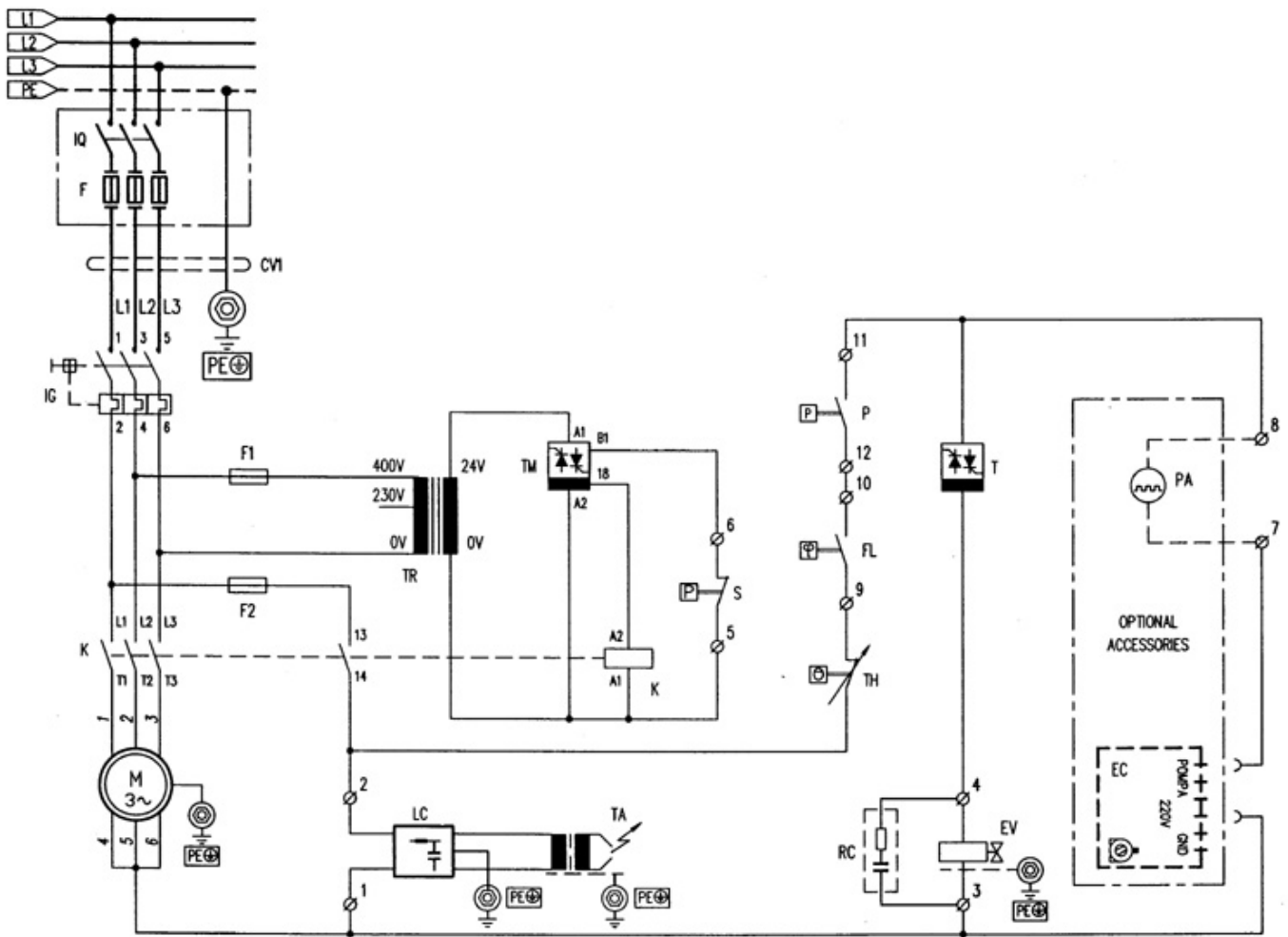
Ref. Part N.	Cust. Part N.	Description	Reference	Price
KTRI22588	KIT P	17- 1	0001 0009	--
KTRI23196	KIT P	22- 4	0012 0013	--



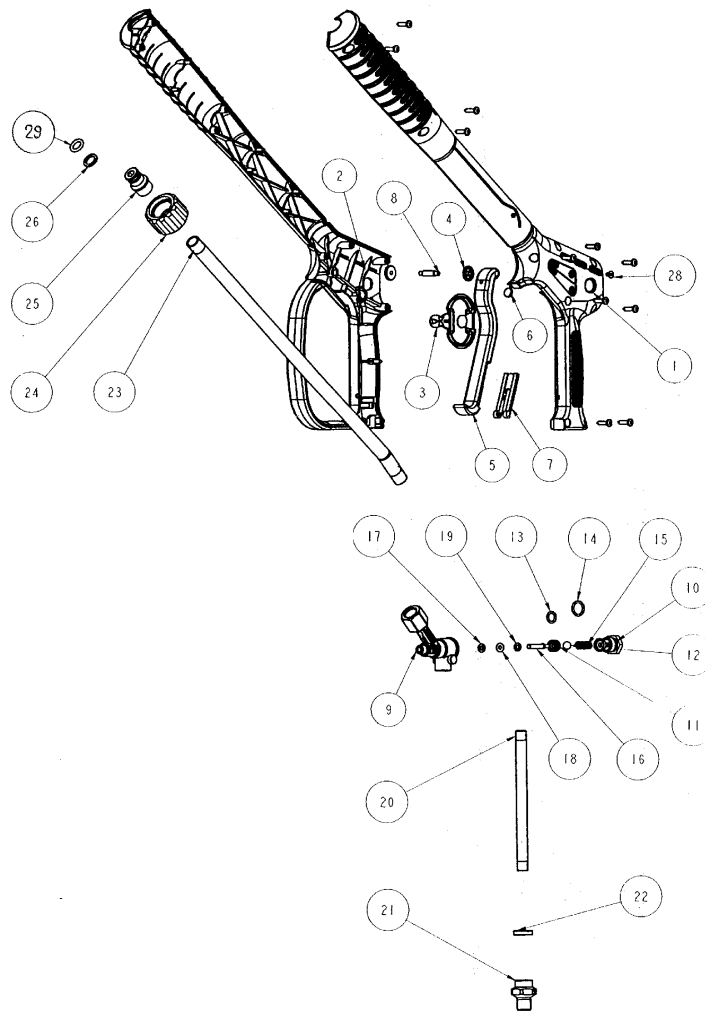
Ref.	K	Part N.	Customer Part N.	Description	Qty	Validity:		Price
						From	To	
0003		RCDS10044		CAP M14X1	1,00	12/1997	--	--
0004	S	GUGO19194		O-RING D. 11.11 X 1.78 NBR 70SH	1,00	12/1997	--	--
0005	S	MLML10042		SPRING D.10 X54X0.56 INX	1,00	12/1997	--	--
0006	S	MEPF10041		PIN PRT 12X36	1,00	12/1997	--	--
0007		RCDS24802		CAP OT58	1,00	12/1997	--	--
0008		MLML11655		SPRING D.15X35	1,00	12/1997	--	--
0009		RCDS24804		SPRING GUIDE OT58	1,00	12/1997	--	--
0010		PVVR24803		RING NUT BLC.I.	1,00	12/1997	--	--
0011		RCDS24801		PISTON GUIDE OT58	1,00	12/1997	--	--
0012	S	GUGO09699		O-RING D. 18.77 X 1.78 NBR 70SH	1,00	12/1997	--	--
0013	S	GUGO03500		O-RING D. 6.75 X 1.78 NBR 70SH	1,00	12/1997	--	--
0014	S	RCDS24806		SMALL PISTON OT58	1,00	12/1997	--	--
0015	S	RCDS24809		SEAT GUIDE OT58	1,00	12/1997	--	--
0016	S	GUVR24818		ANTI-EXTR.RING D. 12 X 9 X 1.5	1,00	12/1997	--	--
0017	S	GUGO03496		O-RING D. 9.25 X 1.78 NBR 70SH	1,00	12/1997	--	--
0018	S	RCDS24807		SEAT CLOSURE INOX	1,00	12/1997	--	--
0019	S	RCDS24808		VALVE SEAT INOX	1,00	12/1997	--	--
0020	S	GUGO01058		O-RING D. 17.17 X 1.78 NBR 70SH	1,00	12/1997	--	--
0028	S	FTAC21221		FILTER D. 15X 22.5 SP 0.3	1,00	12/1997	--	--
0029	S	GUGO03502		O-RING D. 17.86 X 2.62 NBR 70SH	1,00	12/1997	--	--
0030	S	GUVR16318		ANTI-EXTR.RING D. 17.86 X 2.62	1,00	12/1997	--	--
0031		RCDS29729		CAP M22X1.5 BLC.I. +1/8F 2.V	1,00	12/1997	--	--
0032		GUGO03501		O-RING D. 9.92 X 2.62 VIT 70SH	1,00	12/1997	--	--
0033		UGEI29760		NOZZLE D. 1.9 KR OT58	1,00	12/1997	--	--
0034		GUGO03507		O-RING D. 13.95 X 2.62 VIT 70SH	1,00	12/1997	--	--
0035		RCDS21550		CONNECTOR 3/8M-M D.3 L=37	1,00	12/1997	--	--
0036		MLML21505		SPRING D. 8 X5 X0.3	1,00	12/1997	--	--
0037		SFVR04274		BALL D. 7/32	1,00	12/1997	--	--
0038		GUGO01055		O-RING D. 5.28 X 1.78 VIT 70SH	1,00	12/1997	--	--
0039		GUGO01036		O-RING D. 10.82 X 1.78 NBR 70SH	1,00	12/1997	--	--
0040		RCDS10546		VALVE SEAT 1/4M + PG. D.3-7.5 OTT	1,00	12/1997	--	--
0041		RCDS20134		BLOCK KSM	1,00	12/1997	--	--
0042		MEPF21481		PROBE REED L.1250	1,00	02/2002	--	--



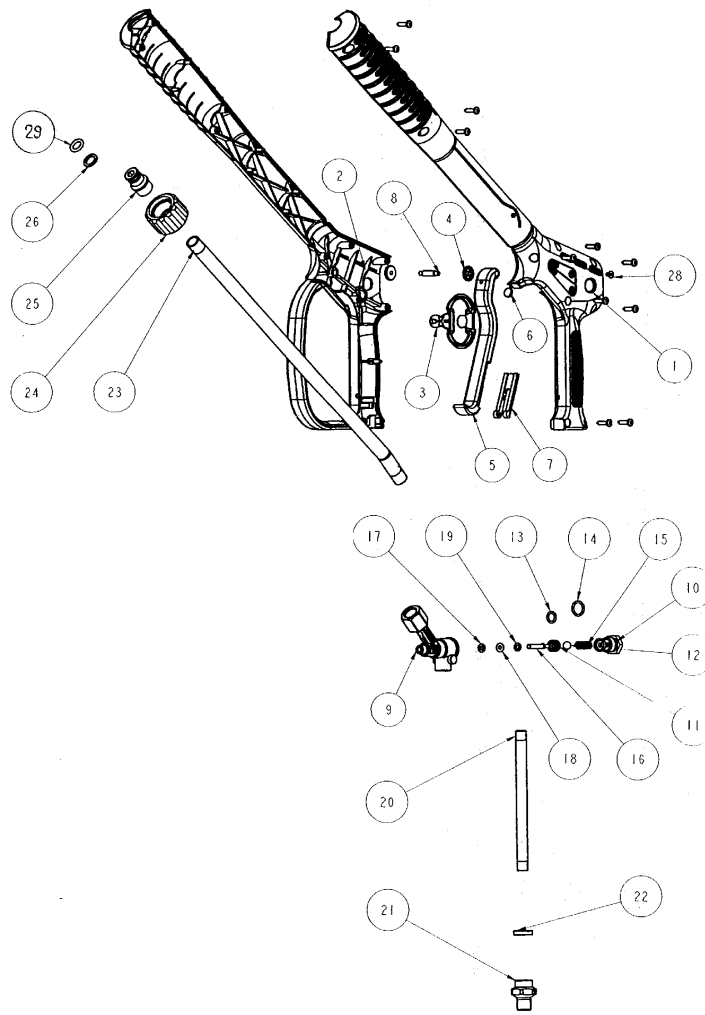
Ref. Part N.	Cust. Part N.	Description	Reference	Price
KTRI22592		KIT P 14- 23	0004 0005 0006	--
KTRI22594		KIT P 14- 25	0028 0029 0030	--
KTRI26396		KIT P 14- 31	0012 0013 0014 0015 0016 0017 0018 0019 0020	--



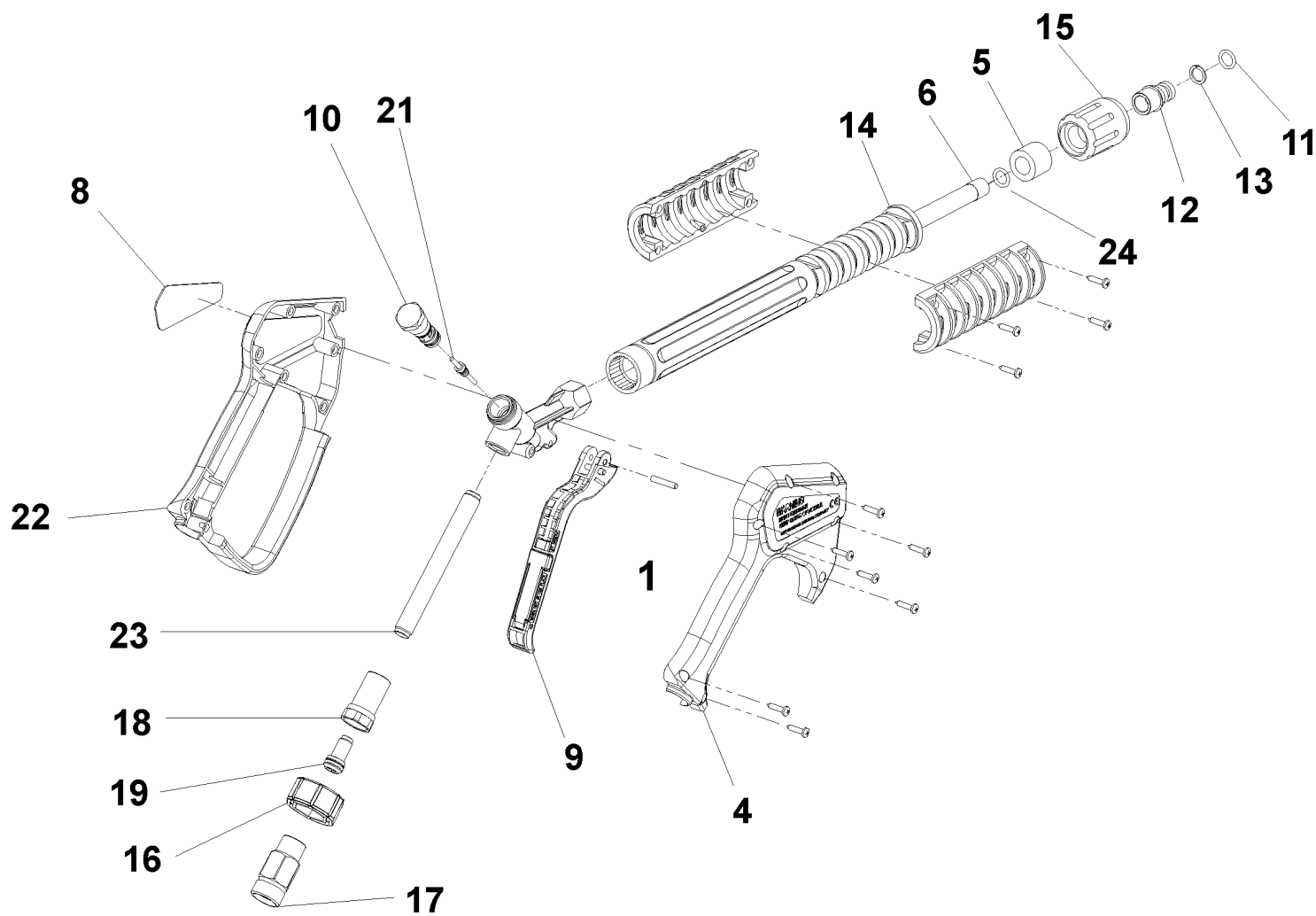
Ref.	K	Part N.	Customer Part N.	Description	Qty	Validity:		Price
						From	To	
K		METT43990		CONTACTOR SIE 3RT 1017 1AB01 5/60HZ	1,00	02/2002		--
M		MOTR31469		3PH MOTOR SLR HP4.5 400-50 2P IP SG	1,00			--
P		MEPF39901		PRESSURE SWITCHMTM 1/4M NA/NC 15B. MICRO	1,00			--
S		MEPF17533		PRESSURE SWITCHST 261 N.C.	1,00			--
AT		METR34464		TRANSFORMER 230V-50HZ 2X4000V SP4 CM	1,00			--
EV		MEBE18120		COIL DLT 220-50 S/CV.	1,00	02/2002	12/2004	--
EV		MEBE43705		COIL DNF 220-50	1,00	04/2011		--
EV		MEBE49881		COIL DLT 220-50 NF84	1,00	01/2005	04/2011	--
F1		MEVR09010		FUSE 5X20 0,5A	1,00	02/2002		--
F2		MEVR02824		FUSE 5X20 1A	1,00	02/2002		--
FL		MEPF21481		PROBE REED L.1250	1,00			--
IG		MECI09350		SWITCH O.K.N. 6.3-10 A	1,00	02/2002		--
LC		MECE34831		FILTER LC F.AH.DA.3100ZF 6.5A	1,00	02/2002		--
RC		MECE10037		RESISTANCE RC 0.22MF 1000 OHM	1,00	02/2002		--
T1		METY31488		TIMER 30 SEC. SLR 24V MCR.P	1,00	02/2002		--
T2		METY06856		TIMER SAS S10 230V 3SEC CID	1,00	02/2002		--
TH		METK19354		THERMOSTAT 0-150° L=1500	1,00	02/2002	12/2010	--
TH		METK40006		THERMOSTAT 0-150° L=1500 S&R	1,00	12/2010		--
TR		METR11977		TRANSFORMER 35VA 230-400/24 50/60HZ	1,00	02/2002	02/2008	--
TR		METR40003		TRANSFORMER 35VA 230-400/24 5/60HZ PM	1,00	02/2008		--
CV1		MECB19582		CABLE H07 RNF 4X1.5 L=6.500	1,00	02/2002		--



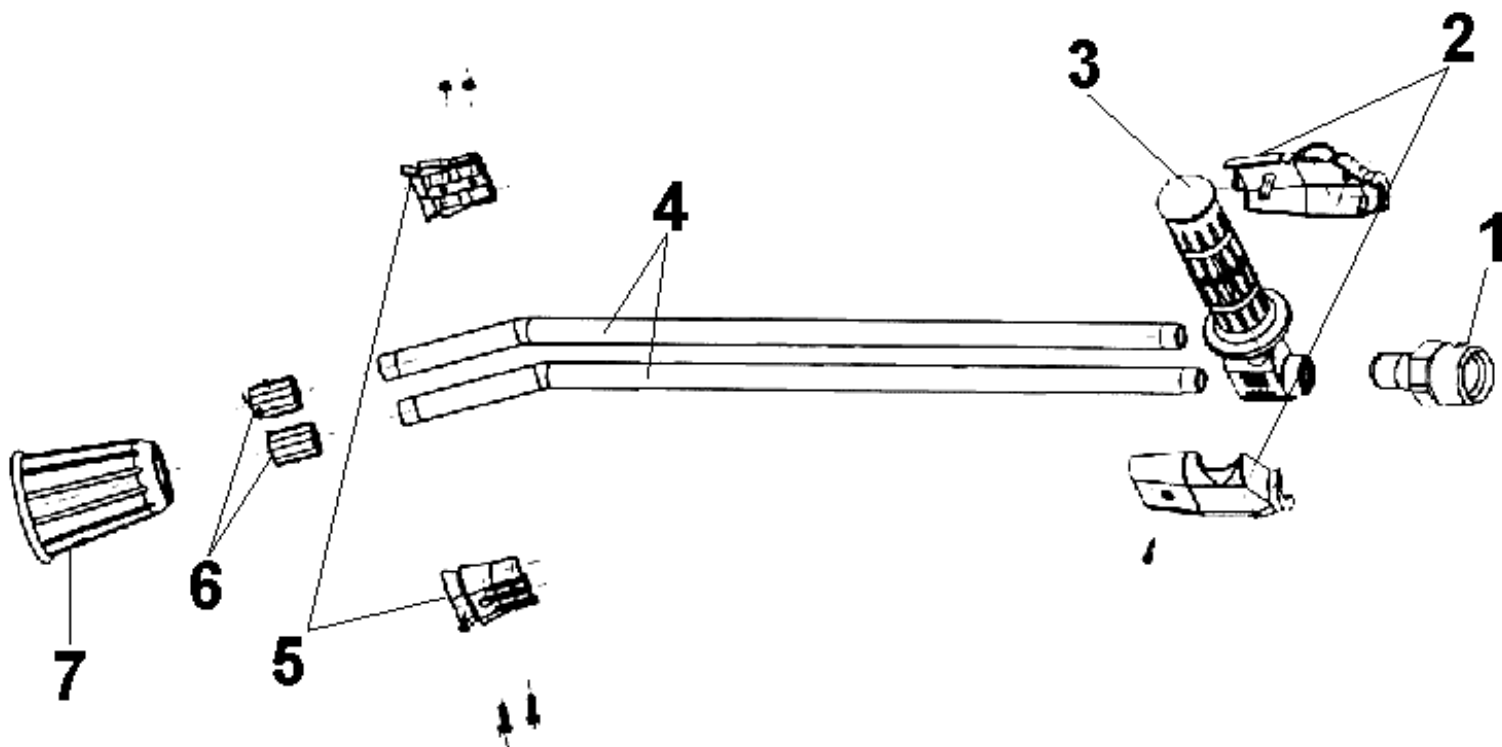
Ref.	K	Part N.	Customer Part N.	Description	Qty	Validity: From To	Price
0001		MPVR43269		HALF BEARING G2200 SX PRT	1,00		--
0002		MPVR43268		HALF BEARING G2200 DX PRT	1,00		--
0003		MPVR43270		CAP G2200	1,00		--
0004		VTRS41562		WASHER AURA 200	2,00		--
0005		MPVR41568		TRIGGER AURA 200	1,00		--
0006		PVVR41567		PAWL AURA 200 INX	1,00		--
0007		MPVR41569		SAFETY-DEVICE AURA 200	1,00		--
0008		VTVR41566		PLUG AURA 200	1,00		--
0009		PVVR41559		GUN BODY AURA G1/4 L.18	1,00		--
0010	E	PVVR43275		CAP M14X1 AURA 200 2.V	1,00		--
0011	E	PVVR43274		BALL SEAT AURA 200 2.V	1,00		--
0012	E	SFVR12904		BALL D. 9/32 W1 INX	1,00		--
0013	E	GUGO63426		O-RING D. 7.66 X 1.78 NBR 90SH	1,00		--
0014	E	GUGO19194		O-RING D. 11.11 X 1.78 NBR 70SH	1,00		--
0015	E	MLML41571		SPRING D. 7 X21 D.1.2	1,00		--
0016	S	PVVR43264		SMALL PISTON AURA 200 INX L=30 2V.	1,00		--
0017	S	GUVR41557		ANTI-EXTR.RING D. 4 X 7.8X1.2	1,00		--
0018	S	GUGO01201		O-RING D. 3.6 X 2.4 -NBR 70SH	1,00		--
0019	S	VTRS43265		WASHER OT AURA	1,00		--
0020		PVVR43272		TUBE G 1/8" M/M L.133	1,00		--
0021		RCIN41561		MALE COUPLING M 22 -1/8F	1,00		--
0022		MPVR43271		WASHER 1/8" G2200	1,00		--
0023		LCPR43273		TUBE 1/4 L=384 0° 1/4 M-M INX	1,00		--
0024		PVVR43276		CONNECTION M22X1,5 IRV	1,00		--
0025		RCIN43267		GUDGEON G 1/4 F IRV	1,00		--
0026		GUVR43266		ANTI-EXTR.RING SR 110	1,00		--
0028		PVVR42233		CAP D. 3 PLS YLW.	1,00		--
0029		GUGO28927		O-RING D. 9.13 X 2.62 NBR 70SH	1,00		--



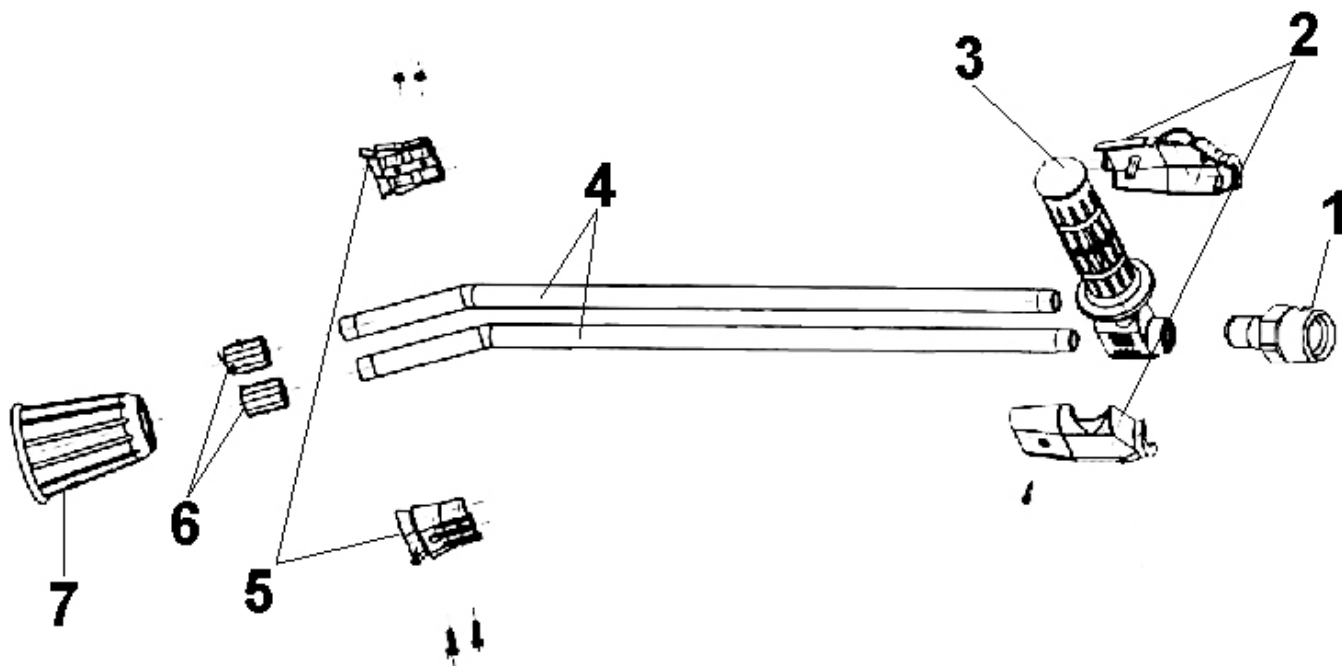
Ref. Part N.	Cust. Part N.	Description	Reference	Price
KTRI40835	KIT P	26- 15 AURA 200	0011 0012 0013 0014 0015 0016 0017 0018 0019	--
KTRI47792	KIT P	26- 20 AURA 200	0010 0011 0012 0013 0014 0015	--



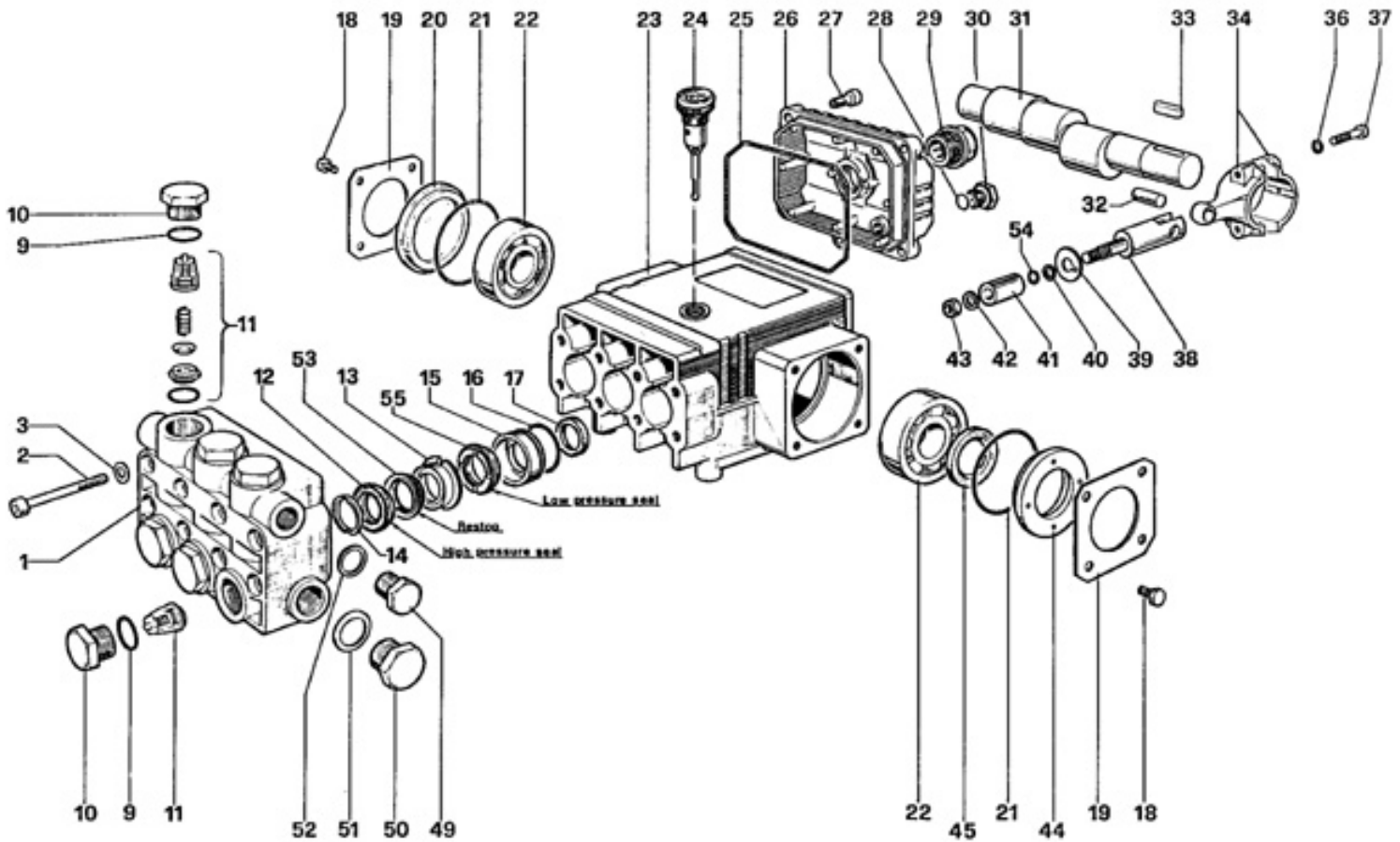
Ref.	K	Part N.	Customer Part N.	Description	Qty	Validity:		Price
						From	To	
0001		VTVR46568		PLUG G 4500	1,00			--
0004		MPVR40157		COVER G 4500 2V.	1,00	05/2008		--
0004		MPVR46563		COVER G 4500	1,00		04/2008	--
0005		MPVR46572		SPACER P 330 ST	1,00			--
0006		LCPR40007		TUBE 1/4 L=352 ZC. 2V.	1,00	05/2008		--
0006		LCPR46571		TUBE 1/4 L=352 ZC.	1,00		04/2008	--
0008		MPVR46569		PLATE G 4500 RD.	1,00			--
0009		MPVR40057		TRIGGER G 4500 -SW	1,00			--
0010		PVVR40030		SMALL PISTON TM ST-2300	1,00			--
0011		GUGO10384		O-RING D. 10 X 2.2 VIT 80SH	1,00			--
0012		RCVR13030		GUDGEON G 1/4 F L=31.5	1,00			--
0013		GUVR10526		ANTI-EXTR.RING D.13.9X10.2 C.BZ	1,00			--
0014		MPVR46570		PROTECTION P 330 ST	1,00			--
0015		PVVR13445		CONNECTION M 22X1.5 L=45	1,00			--
0016		MPVR40058		RING NUT G4500 SW.	1,00			--
0017		RCIN40001		JOINT SWIV 4500 3/8"F	1,00		04/2008	--
0017		RCIN40005		JOINT SWIV 4500 3/8"F 2V.	1,00	05/2008		--
0018		RCIN31641		CONNECTOR SWIV 1500 F	1,00			--
0019		KTRI31645		KIT P 26- 14	1,00			--
0021		PVVR40031		ROD ST-2300	1,00			--
0022		MPVR40156		SHELL G 4500 2V.	1,00	05/2008		--
0022		MPVR46562		SHELL G 4500	1,00		04/2008	--
0023		PVVR40023		TUBE G 1/4" M/M P/SW.	1,00			--
0024		GUGO27021		O-RING D. 11 X 2.5 EPD 70SH	1,00	05/2008		--



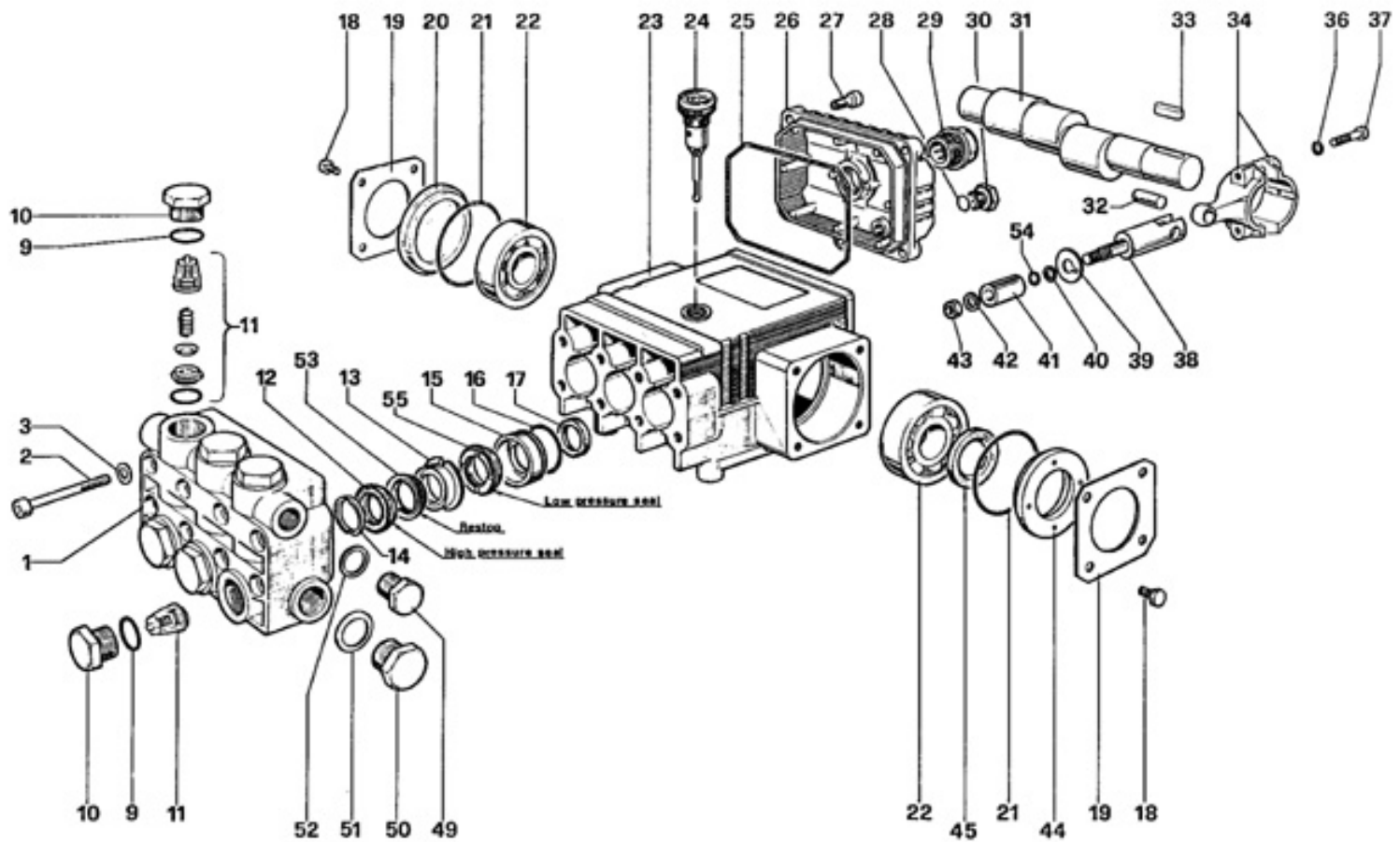
Ref. K	Part N.	Customer Part N.	Description	Qty	Validity:		Price
					From	To	
0001	PVVR45296		COUPLING G 1/4M -M22 M +PR.PLS	1,00			--
0002	MPVR45214		PROTECTION TB.1/4 MTM	1,00			--
0003	RCGR45737		TAP 1/8 F LD MTM	1,00			--
0004	LCPR45738		TUBE 1/8 L=500 INOX MTM	2,00			--
0005	MPVR45001		SHELL LD MTM	1,00			--
0006	RCVR45741		NOZZLE HOLDER 1/4-1/8 F MTM	2,00			--
0007	PVVR43810		PROTECTION L.D. MTM	1,00			--



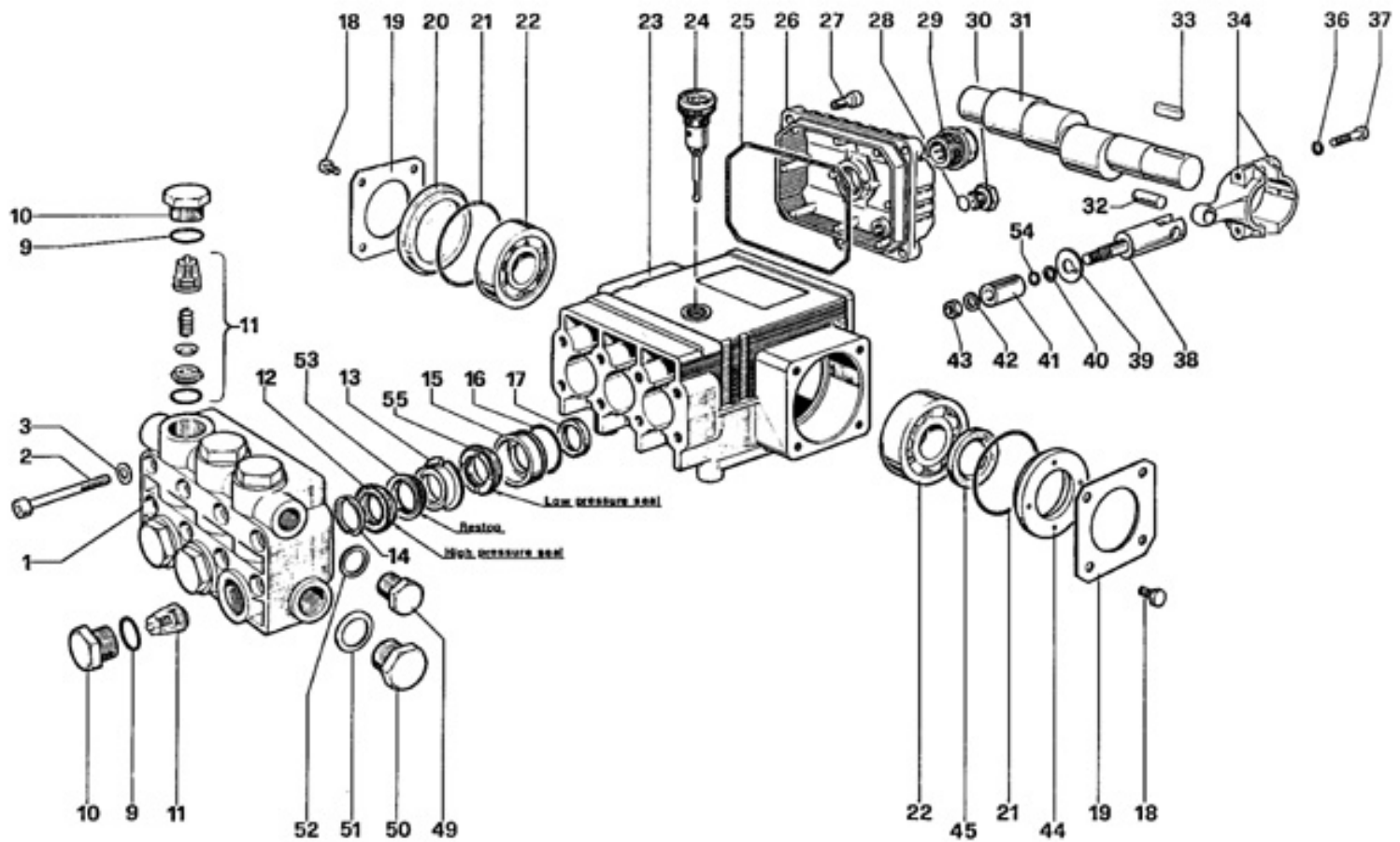
Ref. K	Part N.	Customer Part N.	Description	Qty	Validity:		Price
					From	To	
0001	PVVR45296		COUPLING G 1/4M -M22 M +PR.PLS	1,00			--
0002	MPVR45214		PROTECTION TB.1/4 MTM	1,00			--
0003	RCGR45737		TAP 1/8 F LD MTM	1,00			--
0004	LCPR45740		TUBE 1/8 L=660 INOX MTM	2,00			--
0005	MPVR45001		SHELL LD MTM	1,00			--
0006	RCVR45741		NOZZLE HOLDER 1/4-1/8 F MTM	2,00			--
0007	PVVR43810		PROTECTION L.D. MTM	1,00			--



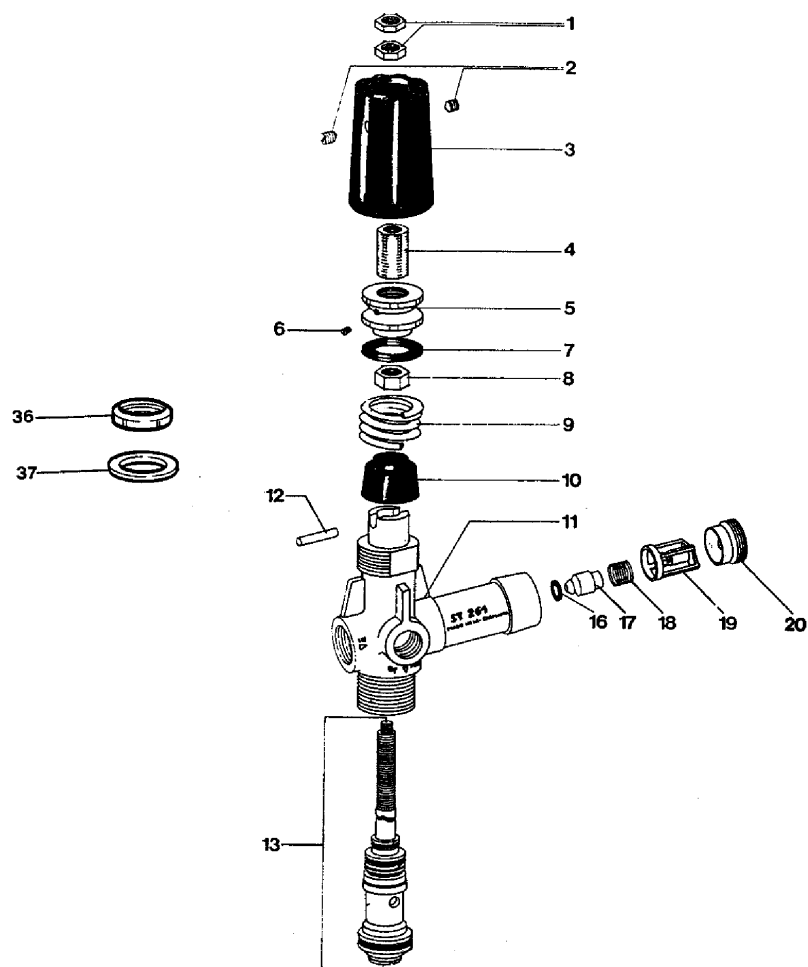
Ref.	K	Part N.	Customer Part N.	Description	Qty	Validity:		Price
						From	To	
0001		MFVR10258		HEAD WW161 GP	1,00			--
0002		VTVT01121		SCREW TCEI 8X60 UNI5931	8,00			--
0003		VTRS01072		WASHER D. 8 TC	8,00			--
0009	S	GUGO01033		O-RING D. 20.24 X 2.62 NBR 90SH	6,00			--
0010	S	RCDS01087		CAP M24X2X16 OTT	6,00			--
0011	S	VVAM01104		VALVE UNIT W 70-151	6,00			--
0012	S	GUVR09324		PACKING D. 15 TURBO	3,00			--
0013	S	PVVR09326		INTERMED. RING D. 15 TURBO	3,00			--
0014	S	PVVR09327		HEAD RING D. 15	3,00			--
0015	S	PVVR09325		PACKING RETAIN.D. 15 TURBO	3,00			--
0016	S	GUGO01039		O-RING D. 31.47 X 1.78 NBR 70SH	3,00			--
0017	S	GUGO01001		OIL SEAL 20X 30X 5 NBR70	3,00			--
0018		VTVT01109		SCREW TE M 6X 10 ZC. UNI 5739	8,00			--
0019		MFVR03562		CRANKCASE COVER W 70	2,00			--
0020		MFVR01749		SPACER W 70 CHI	1,00			--
0021		GUGO01040		O-RING D. 55.56 X 3.53 NBR 70SH	2,00			--
0022		CUVR01014		BALL BEARING 6305-C3 V.9654	2,00			--
0023		MFVR15115		PUMP CRANKCASE WW161	1,00			--
0024		PVVR01089		OIL DIPSTICK W 70	1,00			--
0025		GUVR01026		GASKET COVER W 70	1,00			--
0026		MFVR15116		CRANKCASE COVER W161	1,00			--
0027		VTVT01114		SCREW TCEI 6X14 UNI 5931	5,00			--
0028		GUGO01036		O-RING D. 10.82 X 1.78 NBR 70SH	1,00			--
0029		PVVR01083		OIL INDICATOR G 3/4 W70-151	1,00			--
0030		RCDS01088		CAP 1/4X 9 M WW90	1,00			--
0031		ALMO03598		SHAFT W 70-98	1,00			--
0032		PVVR01084		GUDGEON D. 9X19,5 W 70	3,00			--
0033		VTVR01031		KEY 8X7X25 UNI6604	1,00			--
0034		BLVR01008		CONNECTING ROD W 70	1,00			--
0035		VTRS01071		WASHER D. 6 TC	6,00			--
0037		VTVT01117		SCREW TCEI 6X35 UNI 5931 12.9	6,00			--
0038		PVVR09318		PISTON GUIDE TURBO 14.160	3,00			--
0039		VTRS09320		WASHER D. 9X23X0,5	3,00			--
0040		GUVR10257		ANTI-EXTR.RING WW161	3,00			--
0041		PIVR09319		PISTON D.15 TURBO 14.160	3,00			--
0042		VTRS09321		WASHER D. 8X13X1	3,00			--
0043		VTDD04284		NUT M8X1,25 X13X5 S2 INX	3,00			--
0044		MFVR03565		SPACER W 70	1,00			--
0045		GUGO01002		OIL SEAL 25X 42X 7 NBR70	1,00			--



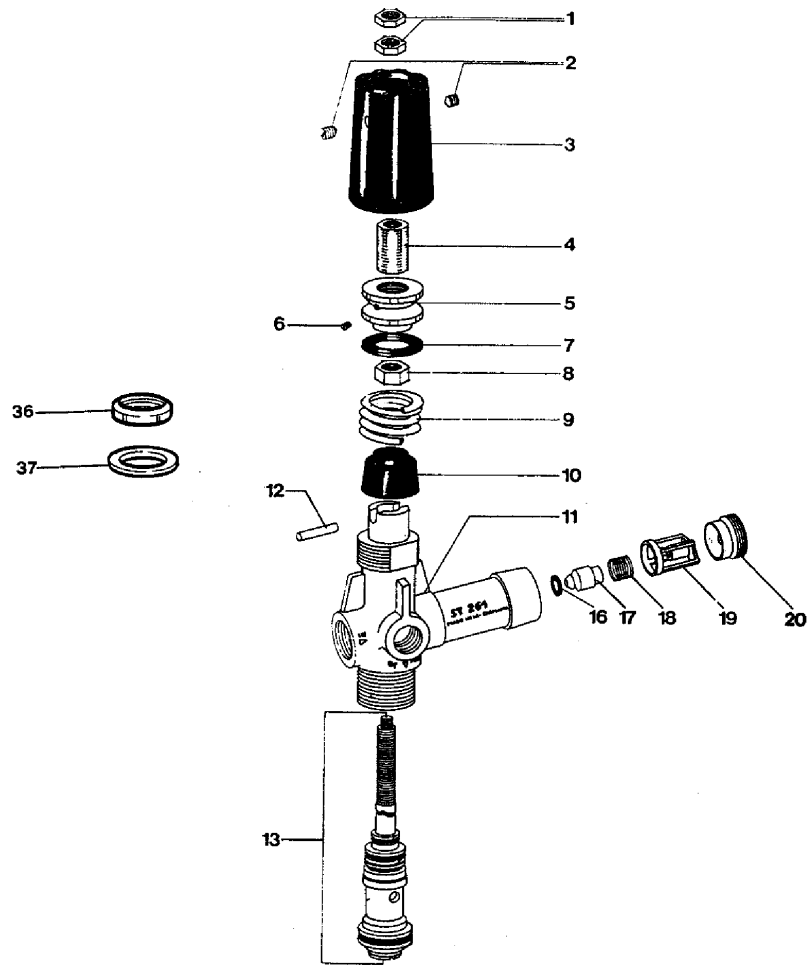
Ref.	K	Part N.	Customer Part N.	Description	Qty	Validity:		Price
						From	To	
0049		RCDS01090		CAP 3/8X13 M WW90	1,00			--
0050		RCDS01091		CAP 1/2X10 M	1,00			--
0051		VTRS01075		WASHER D.21,5X27 ALL	1,00			--
0052		VTRS01074		WASHER D.17,05X22,3 X1,5	1,00			--
0053	S	GUVR15117		PACKING D. 15 RESTOP	3,00			--
0054	S	GUGO01055		O-RING D. 5.28 X 1.78 VIT 70SH	3,00			--
0055	S	GUVR34582		PACKING D. 15 L.P.	3,00			--



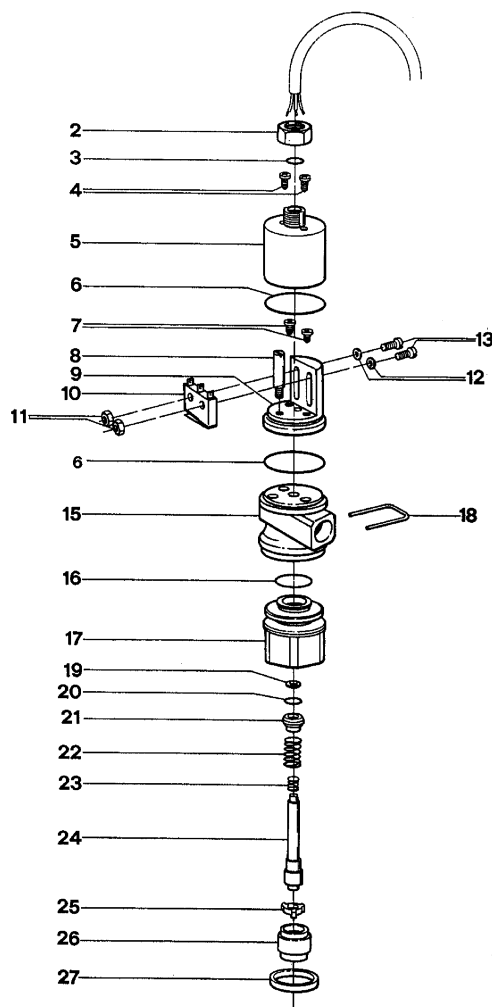
Ref. Part N.	Cust. Part N.	Description	Reference	Price
KTRI17795	KIT P	4	0009 0010	--
KTRI17859	KIT P	1	0011	--
KTRI18585	KIT P	23	0017	--
KTRI21658	KIT P	88	0012 0053 0055	--
KTRI21659	KIT P	89	0013	--
KTRI21660	KIT P	90	0014	--
KTRI21661	KIT P	15- 91	0013 0015	--
KTRI21662	KIT P	15- 92	0012 0013 0014 0015 0016 0053 0055	--



Ref.	K	Part N.	Customer Part N.	Description	Qty	Validity:		Price
						From	To	
0001		VTDD14926		NUT M6X1 UNI5589	2,00			--
0002		VTVT08589		SCREW EI-ST 5X 6	2,00			--
0003		MPVR09436		BLACK KNOB ST 260	1,00			--
0004		PVVR14933		SCREW	1,00			--
0005		VTVT14927		SCREW	1,00			--
0006		VTVT14925		SCREW EI-ST 5X 6 UNI5929	2,00			--
0007		GUVR14928		RING	1,00			--
0008		VTDD14930		NUT M8X1 UNI5588	1,00			--
0009		MLML14929		SPRING D.18X4X28	1,00			--
0010		PVVR16955		SPRING SEAT ST	1,00			--
0011		PVVR16956		VALVE BODY ST 261	1,00			--
0012		PVVR16957		PIN D. 3X13 ST	1,00			--
0013		KTRI16958		KIT P 14- 20	1,00			--
0016	S	GUGO10373		O-RING D. 5 X 2.5 VIT 80SH	1,00			--
0017	S	PVVR08615		VALVE PART	1,00			--
0018	S	MLML08616		SPRING	1,00			--
0019	S	PVVR08617		VALVE CAGE	1,00			--
0020		PVVR08618		NUT	1,00			--
0036		PVVR10580		NUT	1,00			--
0037		VTRS17544		WASHER D.30X41.5X2 ST	1,00			--



Ref. Part N.	Cust. Part N.	Description	Reference	Price
KTRI14653		KIT P 14- 4	0016 0017 0018 0019	--



Ref.	K	Part N.	Customer Part N.	Description	Qty	Validity:		Price
						From	To	
0002		VTDD08624		NUT ST 260	1,00			--
0003		GUGO10373		O-RING D. 5 X 2.5 VIT 80SH	1,00			--
0004		VTVT08630		SCREW TCB 2,9 X 9,5	2,00			--
0005		PVVR08628		COVERING ST 260 S	1,00			--
0006		GUGO08629		O-RING D. 24 X 1.5 NBR 70SH	2,00			--
0007		VTVT08630		SCREW TCB 2,9 X 9,5	2,00			--
0008		PVVR08631		NUT	1,00			--
0009		PVVR08632		COVERING ST 260 M	1,00			--
0010		MECI08633		MICRO-SWITCH ST 261	1,00			--
0011		VTDD08634		NUT M2	1,00			--
0012		VTRS13332		WASHER OTT	2,00			--
0013		VTVT08643		SCREW	2,00			--
0015		PVVR17568		BODY SW 261	1,00			--
0016		GUGO08609		O-RING D. 15 X 1.5 EPDM70SH	1,00			--
0017		PVVR17569		BODY SW 261	1,00			--
0018		VTVR17570		PLUG ST	1,00			--
0019		GUVR13333		ANTI-EXTR.RING	1,00			--
0020		GUGO07014		O-RING D. 3.3 X 2.4 EPDM80SH	1,00			--
0021		PVVR13334		SPACER OTT	1,00			--
0022		MLML13335		SPRING	1,00			--
0023		MLML08639		SPRING	1,00			--
0024		PVVR17571		ROD ST 261	1,00			--
0025		PVVR08641		PIN GUIDE	1,00			--
0026		PVVR17572		SPACER ST	1,00			--
0027		VTRS17573		WASHER ST	1,00		01/2001	--