



IPC Integrated Professional Cleaning

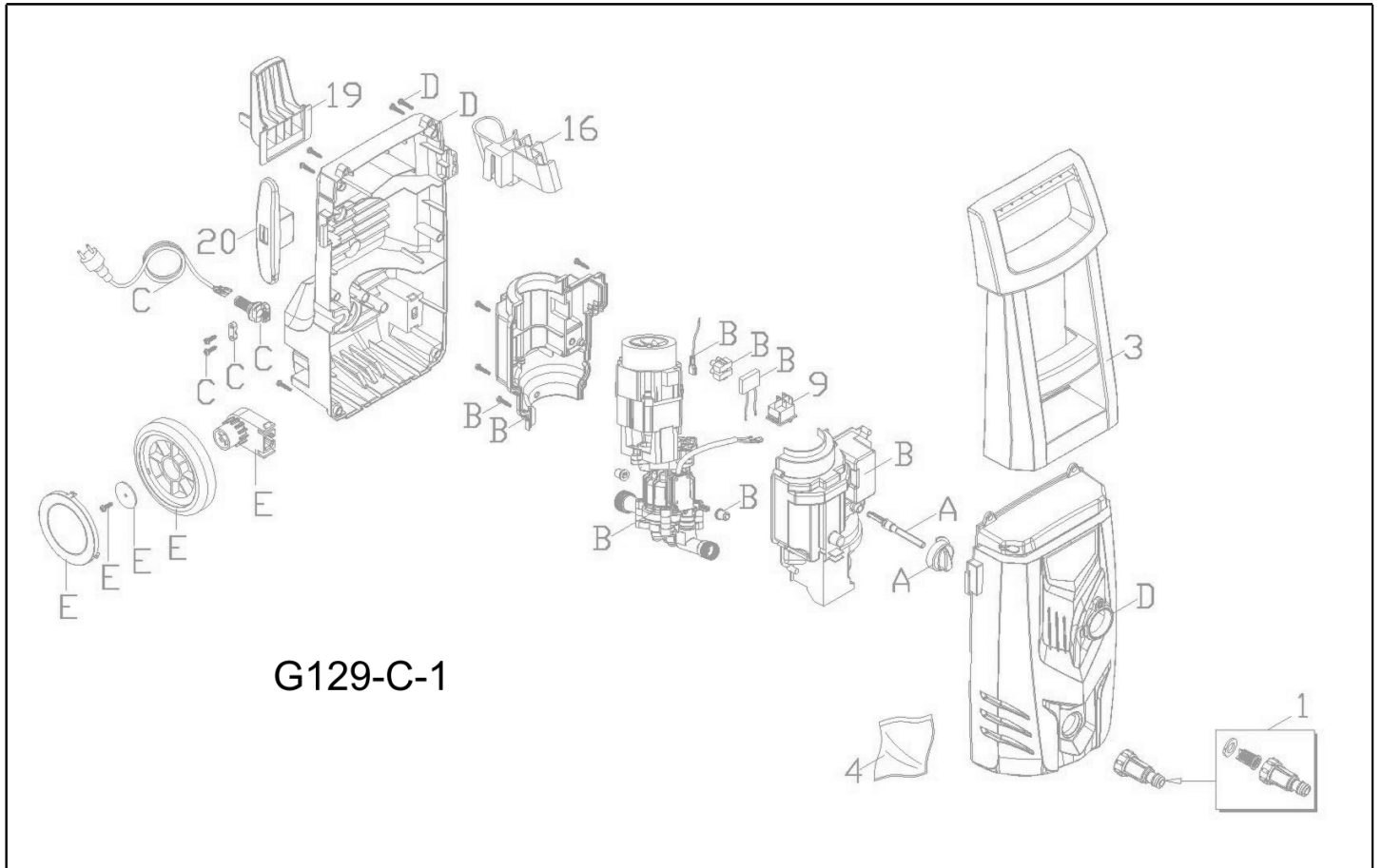
**IPC**

## **Spare Parts List**

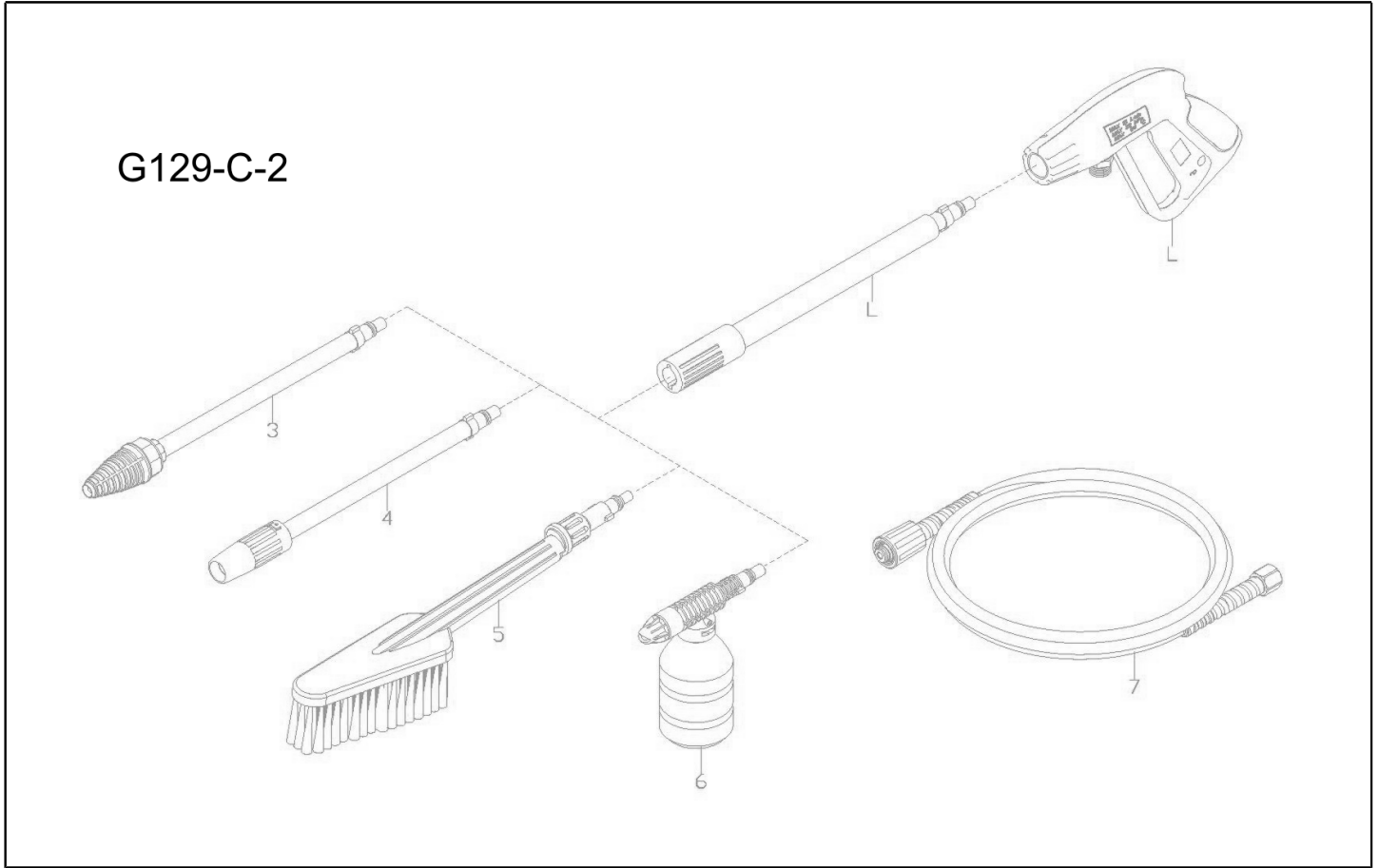
lpc div.PROFESSIONAL

Ref: IDAF94292

Model: IDROP G129-C I1106A M 230/50 3-01PRT



| Ref. K | Part N.   | Customer Part N. | Description                              | Quantity | Validity |    | Price |
|--------|-----------|------------------|--|----------|----------|----|-------|
|        |           |                  |  |          | From     | To |       |
| A      | KTRI40351 |                  | KIT P 04-001 MANOPOLA INT. G109-C ZHE    | 1,00     |          |    | --    |
| B      | PPEL40069 |                  | GRUPPO G109 1106A M 230/50 ZHE           | 1,00     |          |    | --    |
| C      | KTRI40348 |                  | KIT P 37- 37 CAVO.EL. G109-C ZHE         | 1,00     |          |    | --    |
| D      | KTRI40362 |                  | KIT P 24- 17 CARENATURA ROSSA G109-C ZHE | 1,00     |          |    | --    |
| E      | KTRI40366 |                  | KIT P 1- 29 RUOTE FISSE D.125 G129 ZHE   | 1,00     |          |    | --    |
| 0001   | RCVR40174 |                  | PRESA RUBINETTO+FILTRO G109-C ZHE        | 1,00     |          |    | --    |
| 0003   | MPVR40801 |                  | MANICO G129-C ZHE                        | 1,00     |          |    | --    |
| 0004   | PLDC94345 |                  | LIBRETTO ISTRUZIONI"CE" PW-C08/9 26L IPC | 1,00     |          |    | --    |
| 0009   | MECI40037 |                  | INTERRUTTORE G109-C ZHE                  | 1,00     |          |    | --    |
| 0016   | MPVR40797 |                  | SUPPORTO PISTOLA G109-C ZHE              | 1,00     |          |    | --    |
| 0019   | MPVR40795 |                  | GANGIO TUBO G109-C ZHE                   | 1,00     |          |    | --    |
| 0020   | MPVR40796 |                  | GANCIO CAVO ELETTRICO G109-C ZHE         | 1,00     |          |    | --    |



| Ref. K | Part N.   | Customer Part N. | Description                              | Quantity | Validity |    | Price |
|--------|-----------|------------------|--|----------|----------|----|-------|
|        |           |                  |  |          | From     | To |       |
| L      | IPPR40021 |                  | IMPUGNATURA AG275 1/4M F-BA1 ZHE         | 1,00     |          |    | --    |
| 0003   | LCPR40128 |                  | LANCIA ROTOPOWER Z4 F-BA1 D.1,15 (0) ZHE | 1,00     |          |    | --    |
| 0004   | LCPR40123 |                  | LANCIA M.REG Z2 F-BA1 D.0,97 ZHE         | 1,00     |          |    | --    |
| 0005   | SPID40013 |                  | SPAZZOLA FISSA ZHE                       | 1,00     |          |    | --    |
| 0006   | LCPR40118 |                  | SCHIUMATORE +SERB.0,5LT ZHE              | 1,00     |          |    | --    |
| 0007   | TBAP40179 |                  | TUBO A.P. TEX MT 6 -11RV 36MPa ZHE       | 1,00     |          |    | --    |