



IPC Integrated Professional Cleaning

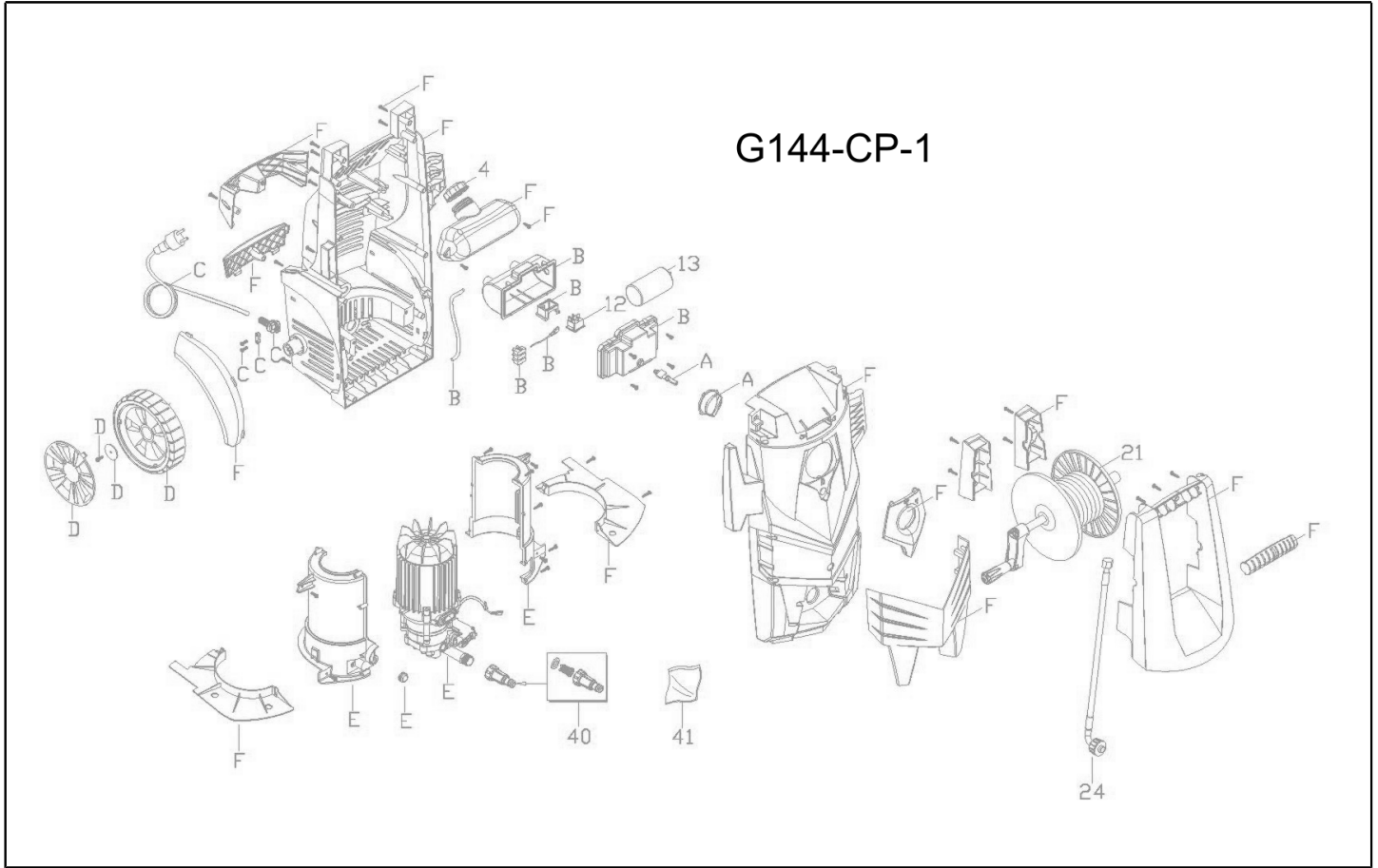
IPC

Spare Parts List

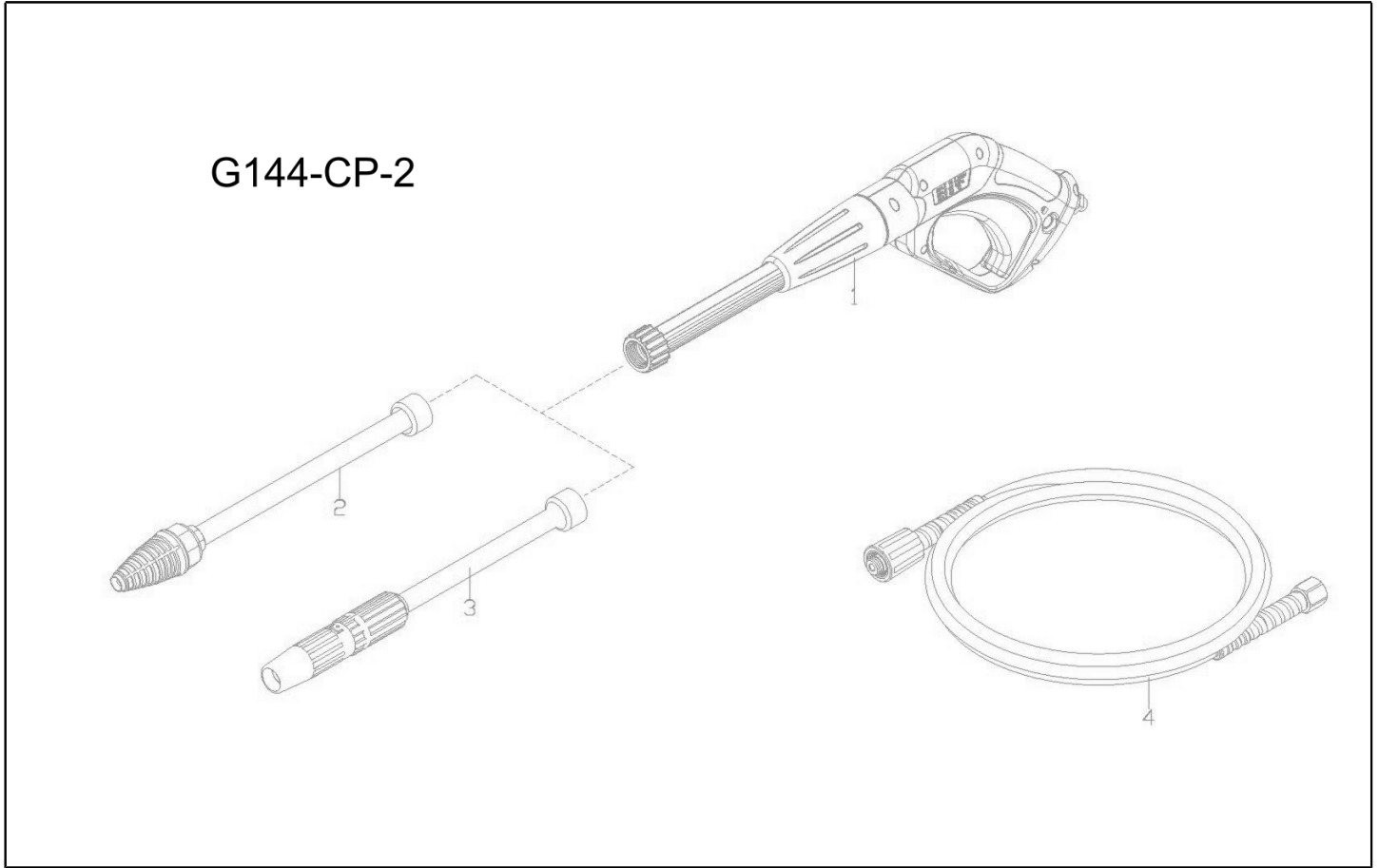
ipc div.PROFESSIONAL

Ref: IDAF94296

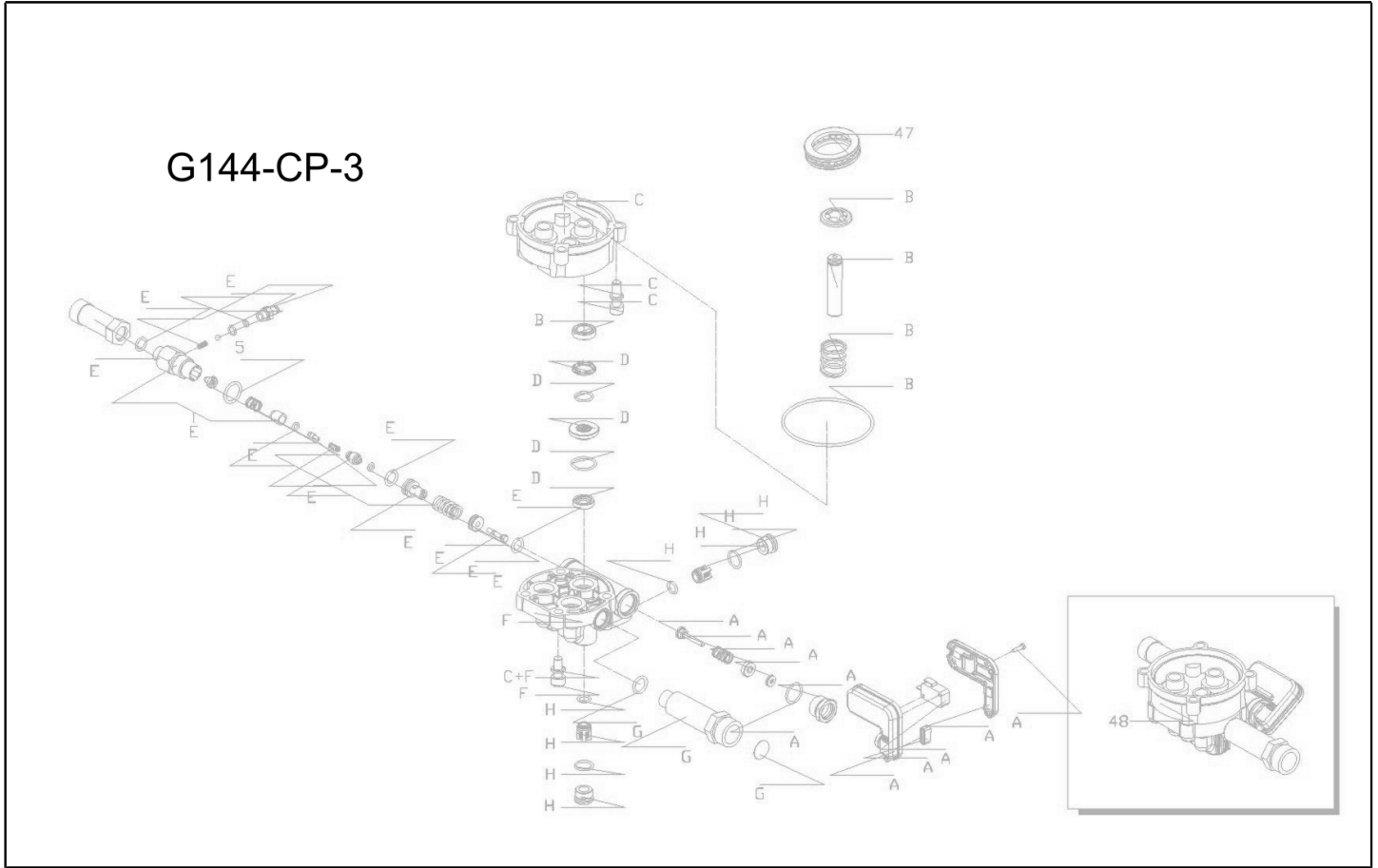
Model: IDROP G144-CP I1307A M 230/50 3-01PRT



Ref. K	Part N.	Customer Part N.	Description	Quantity	Validity		Price
					From	To	
A	KTRI40352		KIT P 04-002 MANOPOLA INT. G134-C ZHE	1,00			--
B	KTRI40354		KIT P 37- 41 SCATOLA EL. G134-C ZHE	1,00			--
C	KTRI40349		KIT P 37- 38 CAVO.EL. G134-C ZHE	1,00			--
D	KTRI40358		KIT P 1- 28 RUOTE FISSE D.160 G134 ZHE	1,00			--
E	PPEL40066		GRUPPO G144 1307A M 230/50 ZHE	1,00			--
F	KTRI40374		KIT P 24- 22 CARENATURA ROS. G134-CP ZHE	1,00			--
0004	MPVR40793		TAPPO SERBATOIO DETERG. G134-C ZHE	1,00			--
0012	MECI40037		INTERRUTTORE G109-C ZHE	1,00			--
0013	MECO40023		CONDENSATORE G144-CP ZHE	1,00			--
0021	KTRI40381		KIT P 35- 49 AVVOLGITUBO G144-CP ZHE	1,00			--
0024	TBAP40183		TUBO COLLEG. MACCH. AVTB G144-CP ZHE	1,00			--
0041	RCVR40174		PRESA RUBINETTO+FILTRO G109-C ZHE	1,00			--
0042	PLDC94347		LIBRETTO ISTRUZIONI"CE" PW-C22P 26L IPC	1,00			--

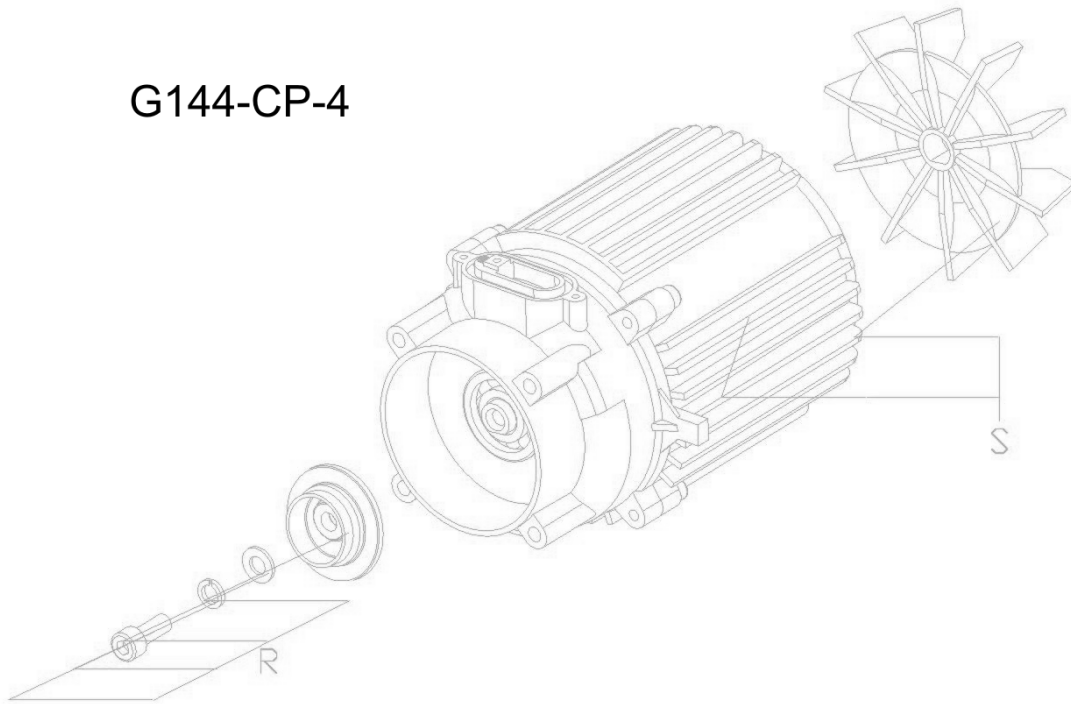


Ref. K	Part N.	Customer Part N.	Description	Quantity	Validity		Price
					From	To	
0001	IPPR40019		IMPUGNATURA AG375 1/4M M22 F ZHE	1,00			--
0002	LCPR40126		LANCIA ROTOPOWER Z3 M22 D.1,15 (1) ZHE	1,00			--
0003	LCPR40121		LANCIA M.REG Z1 M22 D.0,90 ZHE	1,00			--
0004	TBAP40182		TUBO A.P. TEX MT 8 1/4 -1IRV 44MPa ZHE	1,00			--



Ref. K	Part N.	Customer Part N.	Description	Quantity	Validity		Price
					From	To	
A	MEPF40031		PRESSOSTATO PER TSS G144-CP ZHE	1,00			--
B	KTRI40344		KIT P 15-229 PISTONI D.12 G144-CP ZHE	1,00			--
C	KTRI40355		KIT P 15-233 GUIDA PISTONI G144-CP ZHE	1,00			--
D	KTRI40360		KIT P 15-237 PACCHETTO TENUTE D.12 ZHE	1,00			--
E	KTRI40364		KIT P 14-110 BY-PASS G144-CP ZHE	1,00			--
F	KTRI40367		KIT P 15-238 TESTATA G144-CP ZHE	1,00			--
G	KTRI40377		KIT P 15-242 RACC. ASPIR. G144-CP ZHE	1,00			--
H	KTRI40347		KIT P 15-232 VALVOLINE+TAP. G144-CP ZHE	1,00			--
0047	CUVR40020		CUSCINETTO A RULLINI G144-CP ZHE	1,00			--
0048	PPAP40119		POMPA G144 PREM. ZHE	1,00			--

G144-CP-4



Ref. K	Part N.	Customer Part N.	Description	Quantity	Validity		Price
					From	To	
R	KTRI40380		KIT P 15-245 PIATTELLO G134-C ZHE	1,00			--
S	MOMO40063		MOTORE MO. G134-C 230-50 ZHE	1,00			--