



**IPC Integrated Professional Cleaning**

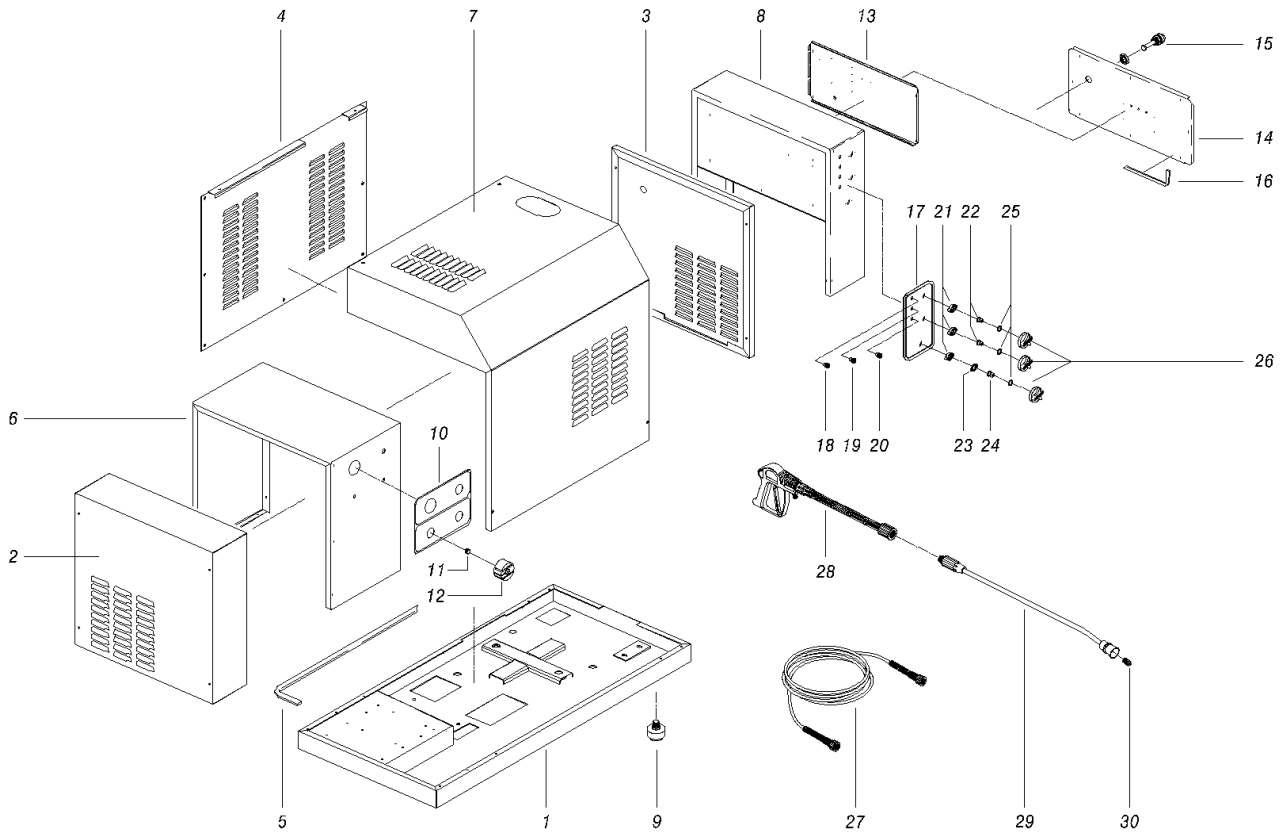
**IPC Portotecnica**

## Spare Parts List

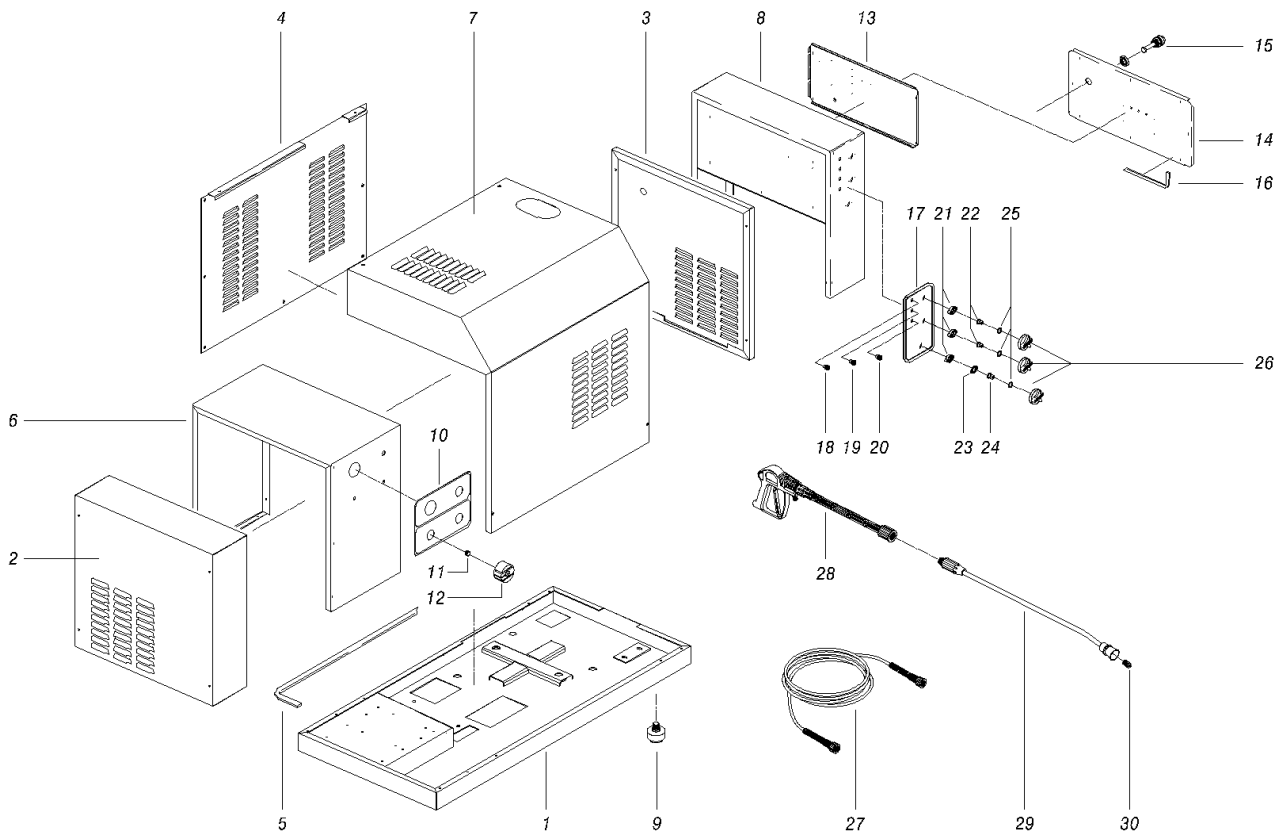
IPF ENGINEERING LTD

Ref: IDAC48041

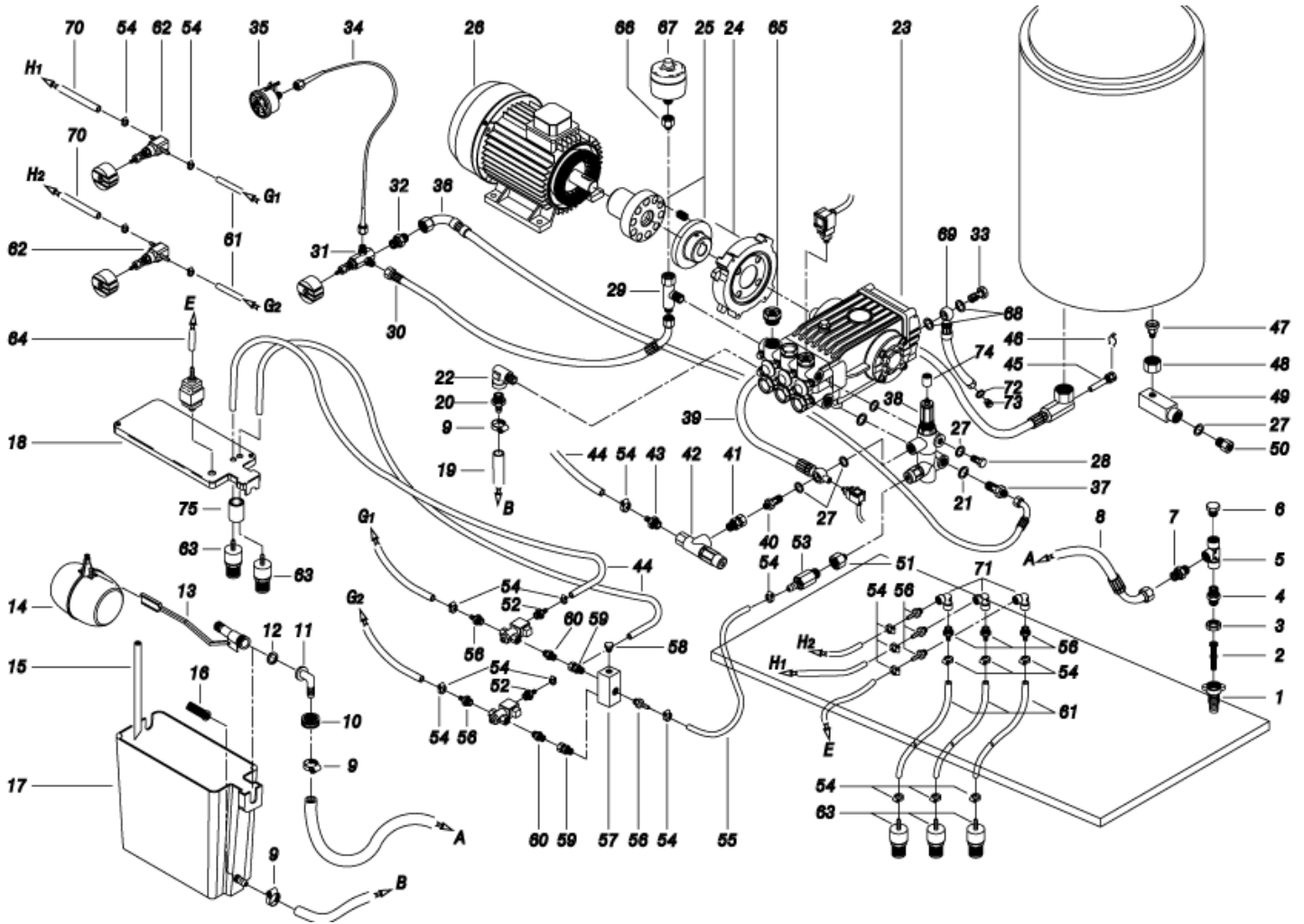
Model: IDROP MUR.IWD-H D2021Pi T 400/50 3-05IPC



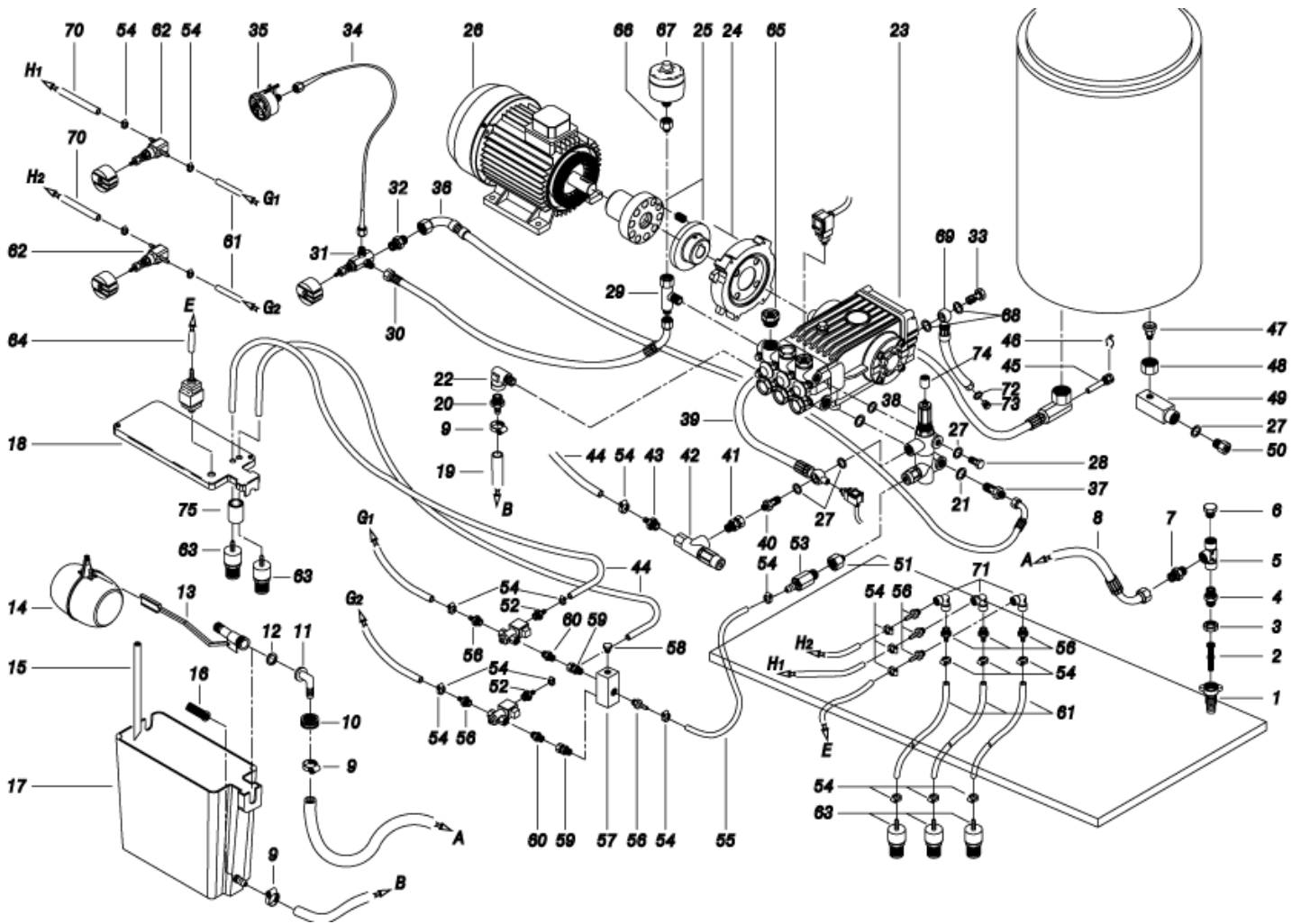
Ref.	K	Part N.	Customer Part N.	Description	Qty	Validity:		Price
						From	To	
0001		LAFN48178		BASE IDROWAND D/2	1,00			--
0002		LAFN48166		LAT. PANEL IWD/2 SX L.140 INX	1,00			--
0003		LAFN48165		LAT. PANEL IWD/2 DX-SX L.20 INX	1,00			--
0004		LAFN48162		BACK PANEL IWD/2 INX	1,00			--
0005		GUVR00408		EDGE H=14	0,55			--
0006		LAFN48171		BAND IWD/2 LT.SX INX	1,00			--
0007		LAFN48163		ANT. PANEL IWD/2 -40MT INX	1,00			--
0008		LAFN48170		BAND IWD/2 LT.DX INX	1,00			--
0009		ABGO33796		VIBRATION DAMP.40X30-M 8X12+M 8F-60+5SH	4,00			--
0010		ETET48196		LABEL IWD/2 IDR.	1,00			--
0011		MPVR74070		INSERT	3,00			--
0012		MPVR40584		KNOB	3,00			--
0013		LAFN40496		PLATE IWD/2 2V. CPL.	1,00	11/2012		--
0013		LAFN48494		PLATE IWD/2 ZC.	1,00		10/2012	--
0014		LAFN48167		BOX COVER IWD/2 INX	1,00			--
0015		MEVR48192		BUTTON ID2 IWD/2 L.27	1,00			--
0016		GUGO27129		JOINT 10X3	1,50			--
0017		ETET48195		LABEL IWD/2 ELETT.	1,00			--
0018		MELF40938		LAMP SOCKET D.12 GREE. SLX51	1,00			--
0019		MELF40937		LAMP SOCKET D.12 ORAN. SLX51	1,00			--
0020		MELF48381		LAMP SOCKET D.12 RED. SLX51	1,00			--
0021		MPVR23487		THICKNESS THERM. - INT. TUV	3,00			--
0022		MPVR23482		TAIL PIECE TEC. TUV	2,00			--
0023		MPVR41903		THICKNESS TERM.IM.PA66	1,00			--
0024		MPVR23484		TAIL PIECE THERM.KSM TUV	1,00			--
0025		GUGO25527		O-RING D. 14 X 3 NBR 70SH	3,00			--
0026		MPVR45423		GREY KNOB P176-M.RACE PA6	3,00		05/2008	--
0026		MPVR89723		GREY KNOB P176-MR C/F.FS.	3,00	05/2008		--
0027		RCIN17663		SWIVEL ST 44 1/4M INX	1,00		10/2005	--
0027		TBAP08543		H.P. HOSE R2 MT 10 3/8"	1,00		03/2007	--
0027		TBAP15632		H.P. HOSE R2 MT 10 3/8" IRV F-SWIV	1,00			--
0027		TBAP40010		H.P. HOSE R2 MT 10 3/8" C/2 IRV IX	1,00	03/2007		--
0028		IPPR12973		GRIP ST 2000 - P 330 - M22 M V	1,00		03/2007	--
0028		IPPR40016		GRIP G 5000+P.330 +M22 SW.M V2	1,00	04/2014		--
0028		IPPR89429		GRIP G 4500 - P.330 -M22SW.M V	1,00	03/2007	04/2014	--
0029		LCPR12976		EXTENSION P 70	1,00			--
0030		UGLN02304		NOZZLE 1/4 25065	1,00		05/2006	--
0030		UGLN49995		NOZZLE LECH 1/4 25065	1,00	05/2006		--
0031		MEVR27264		FUSE-HOLDER 031-1081	3,00			--



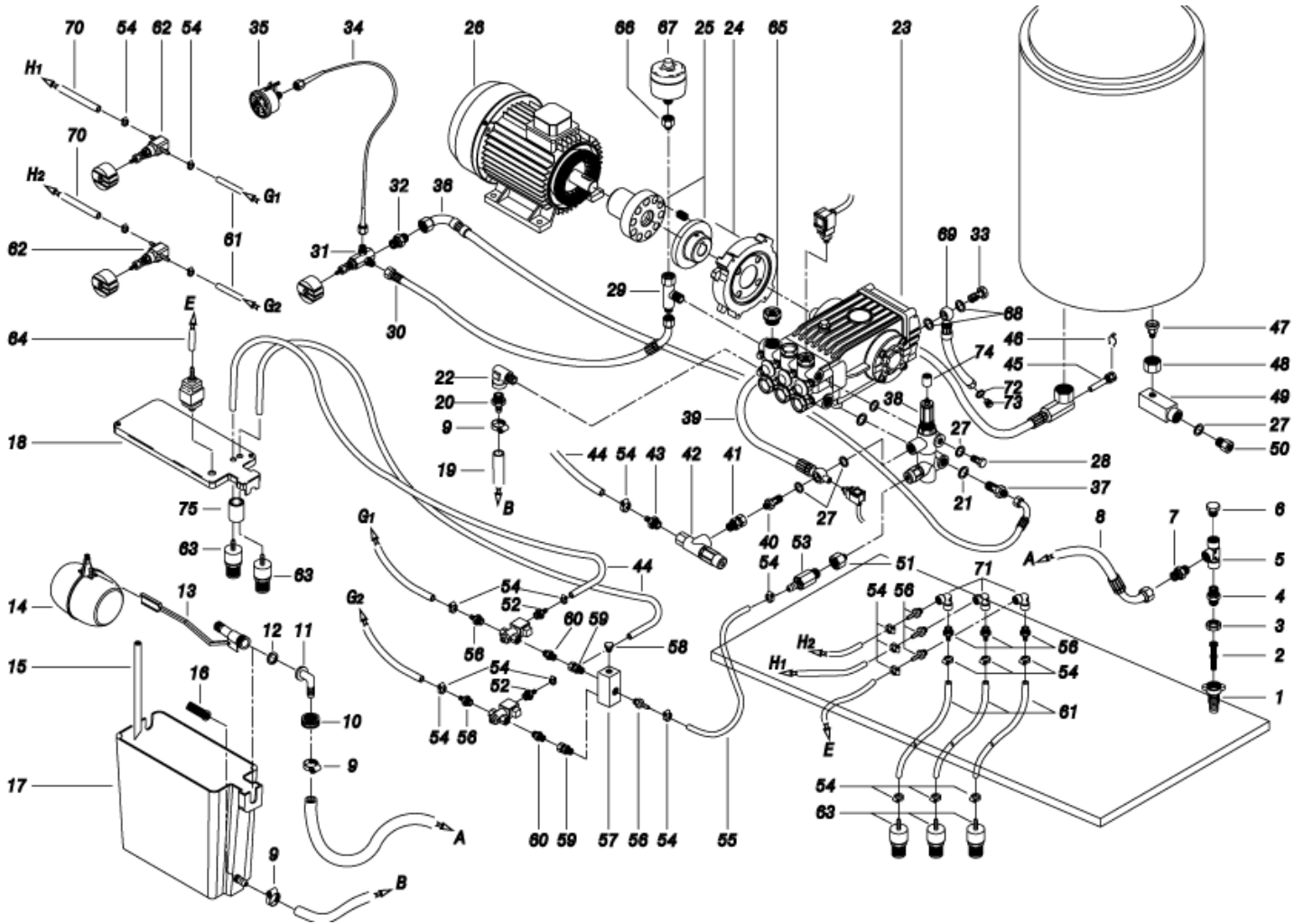
Ref. K	Part N.	Customer Part N.	Description	Qty	Validity:		Price
					From	To	
9999	KTRI48113		KIT P 35- 30	1,00			--



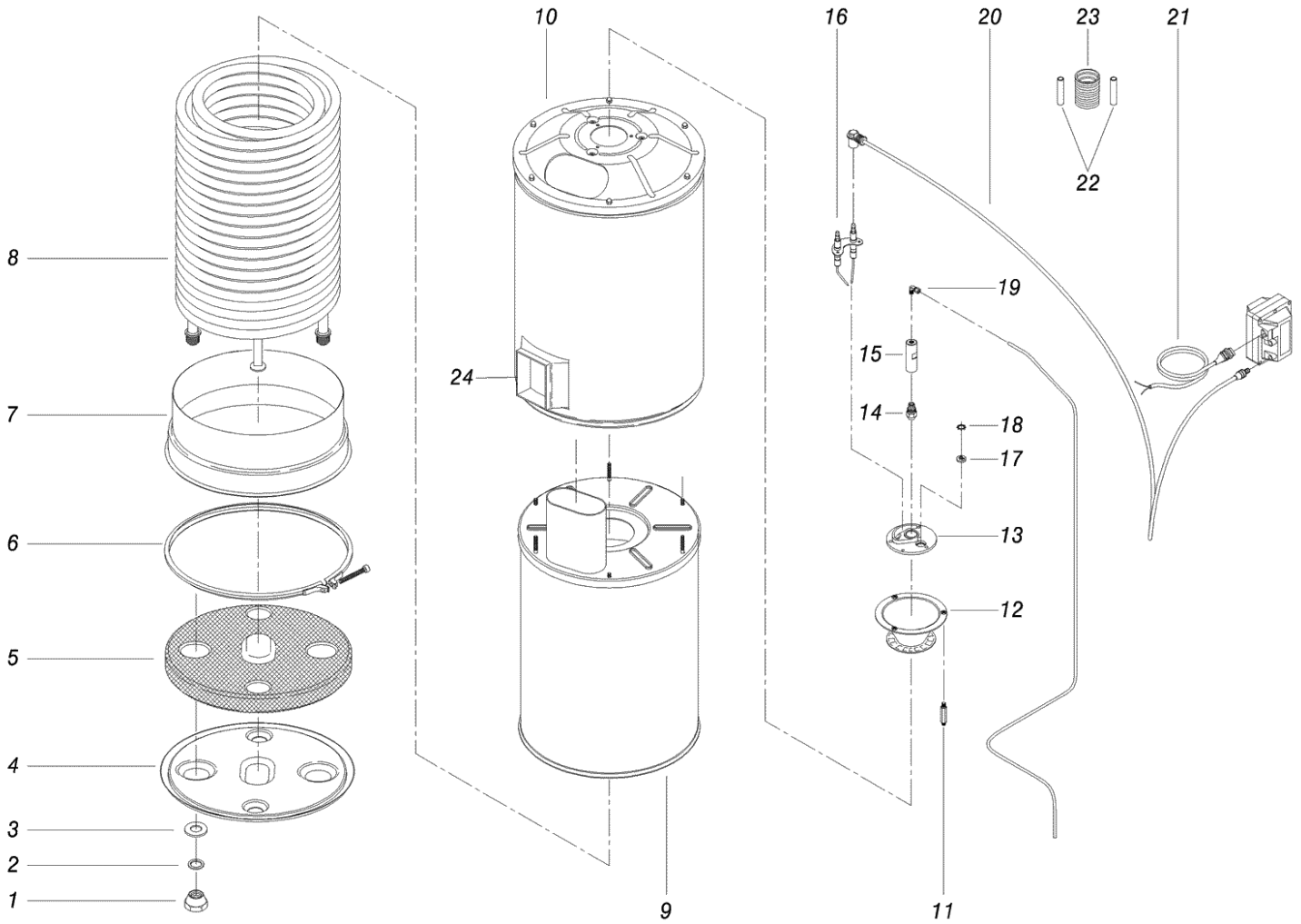
Ref.	K	Part N.	Customer Part N.	Description	Qty	Validity:		Price
						From	To	
0001		RCVR29600		SOCKET PTC 3/4 F	1,00			--
0002		FTAC30214		FILTER D.15X67	1,00			--
0003		RCVR59738		LOCKNUT G 3/4	1,00			--
0004		RCDS48179		NIPPLE 3/4 - 1/2 D.15 L.70 OT.	1,00			--
0005		RCVR00670		TEE UNION 1/2 F/F/F	1,00			--
0006		RCDS01091		CAP 1/2X10 M	1,00			--
0007		RCDS48469		NIPPLE 3/4 - 1/2 CB D.12.0	1,00			--
0008		TBBP48182		L.P. HOSE L=600 3/4F 90°	1,00			--
0009		FSVR00431		CLAMP D. 16-25	1,00			--
0010		RCDS10356		RING NUT FUT	1,00			--
0011		RCDS10357		HOSE FITTING FUT 90°	1,00			--
0012		VTRS00548		WASHER D.17,5X23X1,5 (3/8)RM	1,00			--
0013		RCGR10358		TAP UG. D. 7	1,00			--
0014		RCGR01387		PLASITC BALL D.104	1,00			--
0015		TBBP17436		L.P. HOSE D.12-14 RILSAN NT.	0,17			--
0016		FTDT21315		FILTER D.20X45 18LT	1,00			--
0017		MPVR22117		WATER TANK FUT PPL BK.	1,00			--
0018		MPVR48194		TANK COVER IWD/2 ABS	1,00			--
0019		TBBP15656		L.P. HOSE D.16-26 20BAR	0,24			--
0020		RCDS48463		HOSE FITTING 1/2 M D.10-16 OT	1,00		05/2008	--
0020		RCDS89632		HOSE FITTING 3/8 M D. 9.0 CLB OT.	1,00		05/2008	--
0020		RCVR02605		REDUCTION 1/2-3/8 M/F	1,00		05/2008	--
0021		VTRS00549		WASHER D.21,5X27X1,5 (1/2) RM	2,00			--
0022		RCVR00575		ELBOW 1/2" M/F A10	1,00			--
0023		PPAP05103		PUMP WS102 SX LT 21-100 BAR	1,00			--
0024		MFVR10551		FLANGE HP10 WS202	1,00		10/2008	--
0024		MFVR40003		FLANGE HP 15 H132	1,00	10/2008		--
0025		FGGT05729		FLEX. COUPLING HP10 G112 24-38	1,00	10/2006	10/2008	--
0025		FGGT40001		FLEX. COUPLING IP W S.66 H132	1,00	10/2008		--
0026		MOTR12986		3PH MOTOR B3-B14 HP10 50HZ 230-400V	1,00		04/2005	--
0026		MOTR88938		3PH MOTOR B3-B14 HP10 50 230-400 ED	1,00	04/2005		--
0027		VTRS12492		WASHER 3/8	2,00			--
0028		RCDS40065		SCREW G 3/8 - 1/8F L=48.5 INX	1,00	10/2011		--
0028		RCDS40551		SCREW G 3/8 - 1/8F L=48.5	1,00		10/2011	--
0029		RCDS40589		CONNECTOR T 3/8M - 1/4 M/F OT.	1,00	02/2008		--
0030		TBAP48180		HOSE-FITTING 1/4 R1 L=480 0-90° 1/4 F	1,00			--
0031		VVSF40587		PRESSURE VALVE REG.D.1.5 MHDS	1,00			--
0032		RCVR03535		NIPPLE 1/4 - 1/8 CN	1,00			--
0033		RCDS02612		SCREW G 1/4 A.P.	1,00			--



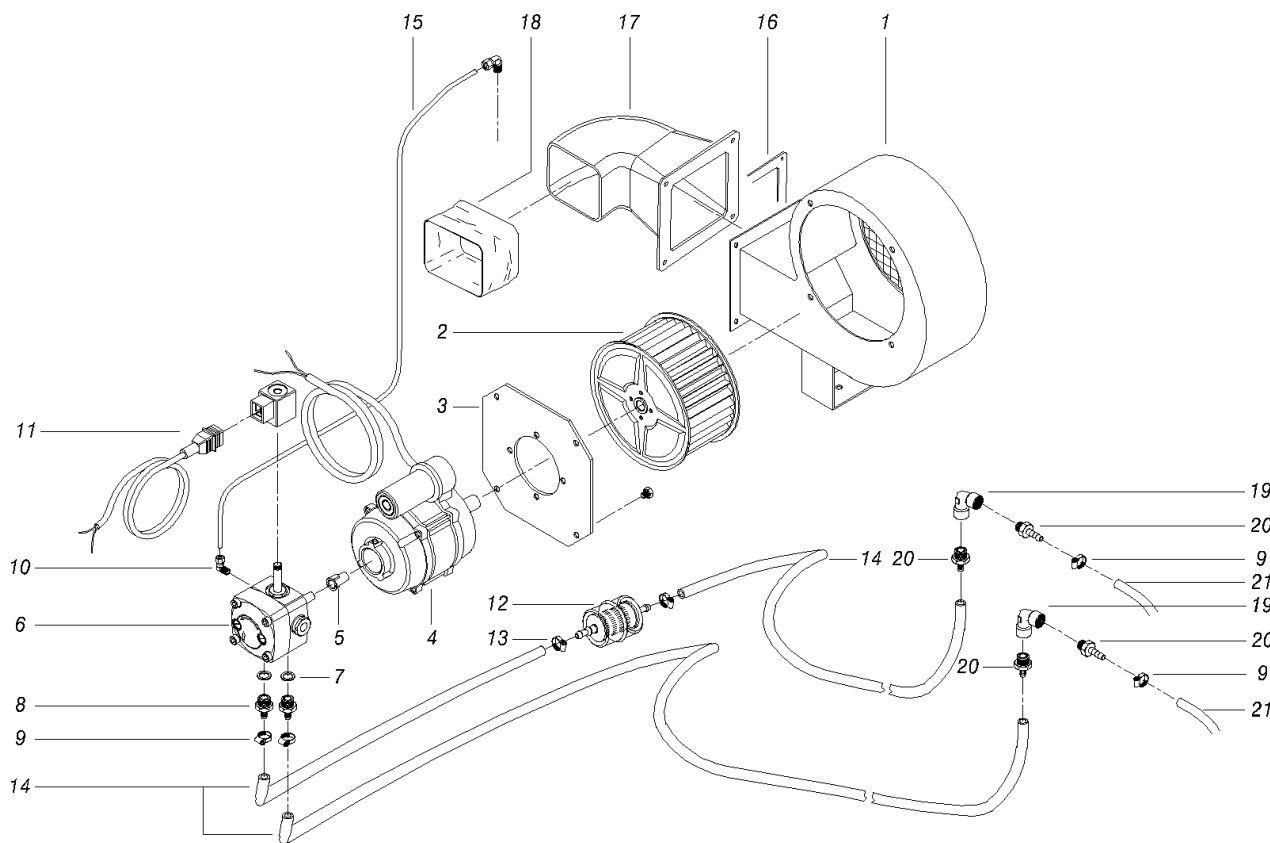
Ref.	K	Part N.	Customer Part N.	Description	Qty	Validity:		Price
						From	To	
0034		TBAP40004		POLYAMIDE HOSE L=260 1/4 F-F	1,00	04/2007		--
0034		TBAP42069		POLYAMIDE HOSE L=260 1/4-1/4 F-F	1,00		04/2007	--
0035		MNMN07992		PRESSURE GAUGE 0-250 D.50	1,00		11/2003	--
0035		MNMN49621		PRESSURE GAUGE 0-250 D.50 INOX	1,00	11/2003		--
0036		TBAP48181		HOSE-FITTING 1/4 R1 L=780 90-90° 1/4F	1,00			--
0037		RCDS40128		SCREW G 1/2 -1/4M D.8 L=48.5 IX	1,00	10/2011		--
0037		RCDS48465		SCREW G 1/2 -1/4M D. 8 L=48.5	1,00		10/2011	--
0038		VVAZ40033		VALVE VRF-2 IP-W AC S/IN.	1,00	12/2012	01/2014	--
0038		VVAZ40040		VALVE VRF-2 IP-W AC S/IN. REG.	1,00	02/2014		--
0038		VVAZ46720		VALVE MV 625 W151 AC S/IN. REG.	1,00		11/2012	--
0039		TBAP48184		HOSE-FITTING 3/8 R2 L=730 3/8O-1/2PMG	1,00			--
0040		RCDS11778		SCREW G 3/8 + 3/8M	1,00		10/2011	--
0040		RCDS40092		SCREW G 3/8 + 3/8M INX	1,00	10/2011		--
0041		RCVR00563		SWIVEL RACCORD 3/8 M/F	1,00			--
0042		VVSC21627		VALVE VS 220 G3/8	1,00		06/2010	--
0042		VVSC40005		VALVE MR 401 G3/8	1,00	06/2010		--
0043		RCDS03514		HOSE FITTING 3/8 M D. 5- 7	1,00			--
0044		TBBP04917		L.P. HOSE D. 6- 9	1,00		04/2012	--
0044		TBBP93804		L.P. HOSE D. 6- 9	1,00	05/2012		--
0044		TBBP04917		L.P. HOSE D. 6- 9	0,40		04/2012	--
0044		TBBP93804		L.P. HOSE D. 6- 9	0,40	05/2012		--
0045		RCDS00593		SUMP IM 0-120 L=50	1,00			--
0046		MLML02623		SPRING IMT	1,00			--
0047		RCDS21118		CONNECTOR KSM	1,00		12/2005	--
0047		RCDS89560		CONNECTOR IWD/2 M14X1.5 ZC.	1,00	12/2005		--
0048		RCDS29100		RING NUT M26X1.5 RB.	1,00			--
0049		RCDS19322		BLOC BODY 3/8F-M14	1,00			--
0050		RCIN09348		MALE COUPLING 3/8MA L=32	1,00			--
0051		RCVR02606		REDUCTION 1/2-1/4 M/F	1,00			--
0052		RCDS29082		HOSE FITTING 1/8 F D. 7 EL.KS 610	2,00			--
0053		VVSF46712		VALVE 1/4M -PG. D.3X7.5	1,00			--
0054		FSVR00427		CLAMP D. 12 CLIC 66-110	4,00			--
0055		TBBP00051		DETERGENT HOSE D. 6-12	0,20			--
0056		RCDS00626		HOSE FITTING 1/4 M D. 5- 7	10,00			--
0057		RCDS48462		BLOCK 4V. 4X1/4F IWD-2V.	1,00			--
0058		RCDS01088		CAP 1/4X 9 M WW90	1,00			--
0059		RCVR00562		SWIVEL RACCORD 1/4 M/F	2,00			--
0060		RCDS00607		NIPPLE 1/4 - 1/4 SV	2,00			--
0061		TBBP00051		DETERGENT HOSE D. 6-12	1,60			--



Ref.	K	Part N.	Customer Part N.	Description	Qty	Validity:		Price
						From	To	
0062		RCGR40583		DETERGENT TAP	2,00			--
0063		FTDT04648		FILTER PG. D.6 PLS	2,00			--
0064		TBBP00058		L.P. HOSE D. 4- 7	0,70			--
0065		RCDS09059		CAP M24X2X16 + 1/4F OTT	1,00	02/2008		--
0066		RCDS13818		SLEEVE 1/4-M14X1.5 M/F	1,00		02/2008	--
0066		RCDS33713		SLEEVE 1/4-M14X1.5 M/F D. 4.5	1,00	02/2008		--
0067		ACID08195		ACCUMULATOR M 14X1.5 30BAR	1,00			--
0068		VTRS04931		WASHER COPPER D.13X19X1.5	2,00			--
0069		TBBP48183		L.P. HOSE L= 350 1/4OC.- 3/8F 0°	1,00			--
0070		TBBP04917		L.P. HOSE D. 6- 9	1,60		04/2012	--
0070		TBBP93804		L.P. HOSE D. 6- 9	1,60	05/2012		--
0071		RCVR00581		ELBOW 1/4" F A9	5,00			--
0072		RCVR12243		CAP 3/8M L=10	1,00	04/2003		--
0072		VTRS00548		WASHER D.17,5X23X1,5 (3/8)RM	1,00			--
0072		GUGO01035		O-RING D. 13.95 X 2.62 NBR 70SH	1,00	09/2005		--
0072		VTRS00548		WASHER D.17,5X23X1,5 (3/8)RM	1,00	04/2003	09/2005	--
0073		RCDS28310		CAP 3/8 M PLS	1,00	09/2005		--
0073		RCVR12243		CAP 3/8M L=10	1,00	04/2003	09/2005	--
0074		PVVR40273		ADAPTER VRF-2 RG.	1,00	12/2012	01/2014	--
0075		RCDS15346		WEIGHT DET.	1,00	02/2015		--

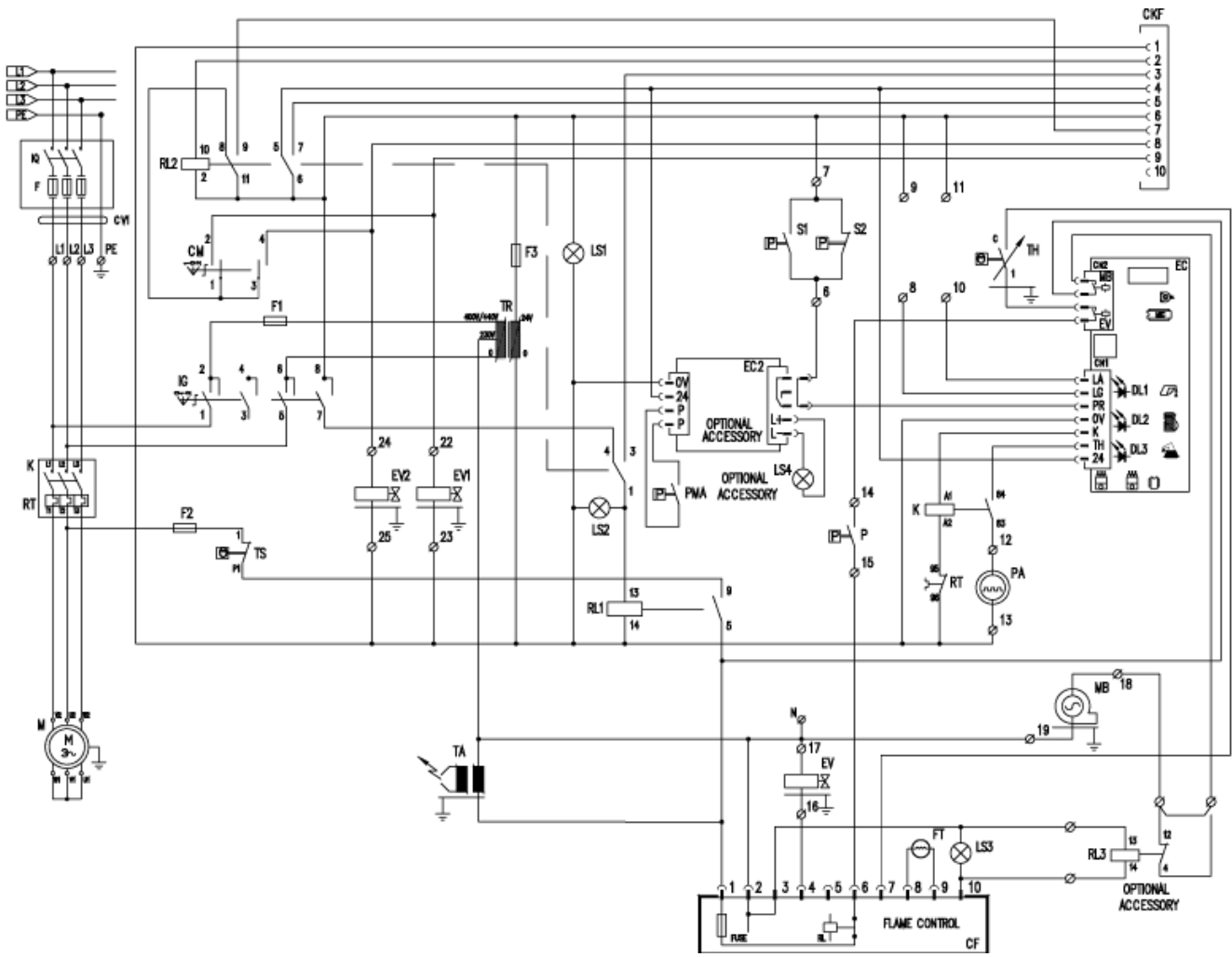


Ref.	K	Part N.	Customer Part N.	Description	Qty	Validity: From	To	Price
0001		RCDS21120		RING NUT M 26 X 1,5	2,00			--
0002		GUGO21222		O-RING D. 15.54 X 2.62 VIT 80SH	2,00			--
0003		GUVR21021		ANTI-EXTR.RING D. 21 X17 TEF.	2,00			--
0003		LAFN43244		CHIMNEY EXTENS.KSM H.70 INX	1,00			--
0004		LAFN44149		BOILER BOTTOM P176	1,00	11/2007		--
0005		ITTE44175		BOTTOM P176 C.TE	1,00	11/2007		--
0006		LAFN40037		RING D.342 P176 ZN 2V.CPL.	1,00	11/2007		--
0006		LAFN44150		RING D.345 P176 ZN	1,00		06/2007	--
0007		LAFN44151		BAND P176 INX	1,00	11/2007		--
0008		LAGR44873		DOUBLE COIL M26X1.5 P176 40MT.	1,00	11/2007		--
0009		LAFN46226		INT. CYLINDER P176 40.CP.INX	1,00	11/2007		--
0010		LAFN40035		EXT. CYLINDER P176-FR/2 40.CP.	1,00	11/2007		--
0010		LAFN46224		EXT. CYLINDER P176-FBX 40.CP.	1,00		10/2007	--
0011		LAFN44159		PIN CH.10 X 75.7 M5M/M5M P176	3,00	05/2007	10/2007	--
0012		LAFN44244		BAFFLE P176 30M INX	1,00			--
0013		MFVR48191		ELECTR.HOLDER P176 P/CT.FMM.	1,00			--
0014		UGBR31344		BURNER NOZZLE 1.75 60 S	1,00			--
0015		RCDS07642		NOZZLE HOLDER FUT	1,00			--
0016		MECA12525		ELECTRODE FUT	1,00			--
0017		MPVR18228		OIL WARN-LIGHT D.17 X3	1,00			--
0018		VTAE22633		SEEGER 0.4 X18.30X10,5	1,00			--
0019		RCVR08954		ELBOW 1/8"-4 B5	1,00			--
0020		MECV35336		CABLE A.T. 9,8-23KOHM/M L= 750P	2,00			--
0021		MECB34463		CABLE BT L=800 SP. FD	1,00			--
0022		LAFN48187		SPACER D. 6- 8 L=43 INX	2,00			--
0023		MPVR31720		PROTECTOR 22 X 44	1,00			--
0024		MPVR40013		CONVEYOR P176-FBX PA6 BK.	1,00	01/2010		--
0024		MPVR40013		CONVEYOR P176-FBX PA6 BK.	1,00	11/2007	09/2009	--

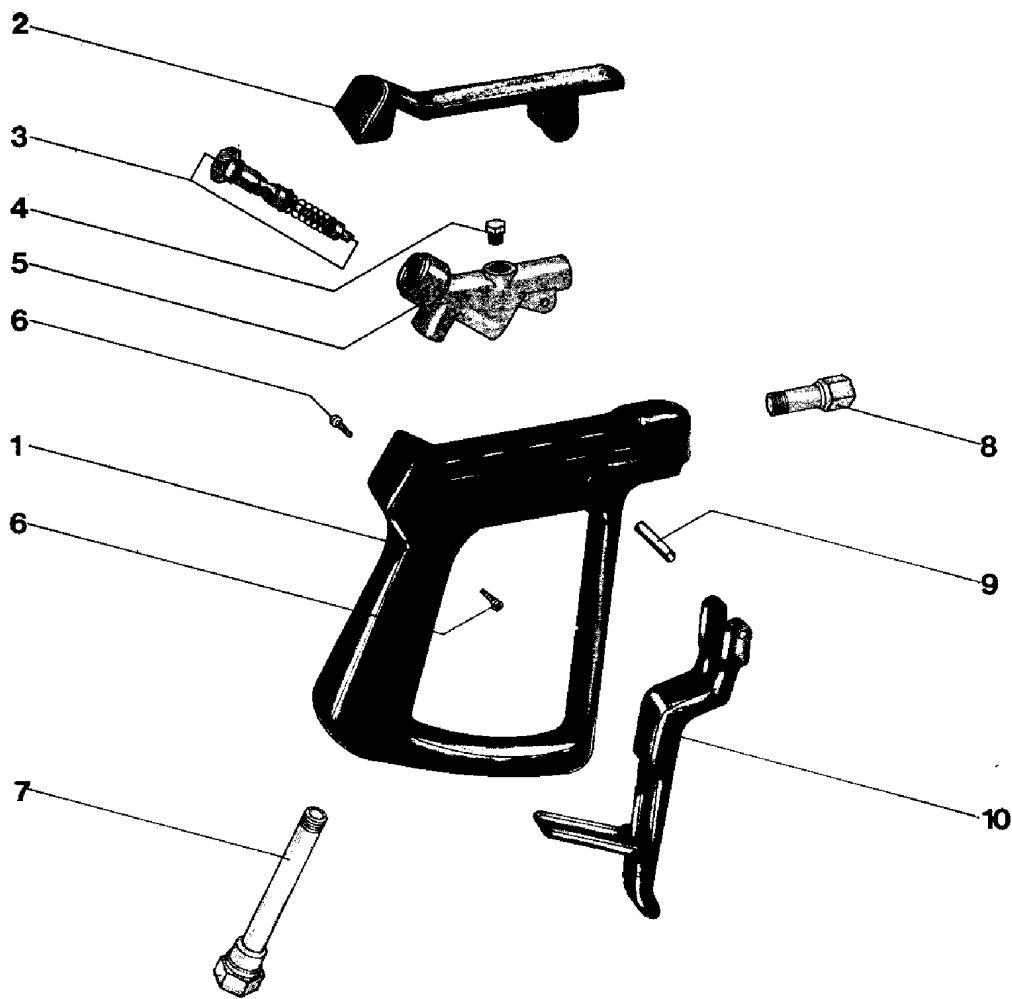


Ref.	K	Part N.	Customer Part N.	Description	Qty	Validity:		Price
						From	To	
0001		LAFN48123		SCROLL CB4 -IDW	1,00		05/2007	--
0001		MPVR40010		SCROLL CB4 -2PZ.CP	1,00	06/2007		--
0001		LAFN40039		BRACKET CB4-IWD/2	1,00	06/2007		--
0002		VEVR34275		IMPELLER D.160-80 D.12.7 36P B.SX	1,00			--
0003		LAFN10272		MOTOR PLATE CB 3	1,00			--
0004		MOMB34119		BURNER MOTOR 230-50 IP44 150W A.OR	1,00			--
0005		FGGT36513		JOINT HP 0.25 AACO	1,00			--
0006		FTCO88927		FUEL FILTER S.AL	1,00	01/2005		--
0006		PPGS18240		FUEL PUMP DLT VM1LL25	1,00		12/2004	--
0006		PPGS40005		FUEL PUMP DNF BFA 01L3R2	1,00	02/2008		--
0006		PPGS88592		FUEL PUMP DLT ALLUM. A1L2	1,00	01/2005	02/2008	--
0007		VTRS04931		WASHER COPPER D.13X19X1.5	2,00			--
0008		RCDS00626		HOSE FITTING 1/4 M D. 5- 7	2,00			--
0009		FSVR00427		CLAMP D. 12 CLIC 66-110	4,00			--
0010		RCVR08954		ELBOW 1/8"-4 B5	1,00			--
0011		MECB18118		CABLE DLT L=1.600	1,00			--
0012		FTCO34840		FUEL FILTER FB 7/A NYL.	1,00		04/2010	--
0012		FTCO40003		FUEL FILTER FB 7/TA 60mc NYL.	1,00	04/2010		--
0013		FSVR11197		CLAMP D.I. 11 13315	2,00			--
0014		TBCO06945		L.P. HOSE D. 6-12 10BAR C.PRESS	0,60			--
0015		TBCO40042		DIESEL HOSE IWD/2 40MT. D. 4 IX	1,00	12/2014		--
0015		TBCO48185		DIESEL HOSE IWD/2 40MT. D. 4	1,00		12/2014	--
0016		GUGO11214		GASKET FLL	1,00			--
0017		MPVR48124		CONVEYOR P176-IDW PEHD	1,00			--
0018		GUGO20124		GASKET KSM	1,00			--
0019		RCVR00581		ELBOW 1/4" F A9	2,00			--
0020		RCDS00626		HOSE FITTING 1/4 M D. 5- 7	4,00			--
0021		RCVR06845		HOSE FITTING 1/2 x 13M	2,00			--

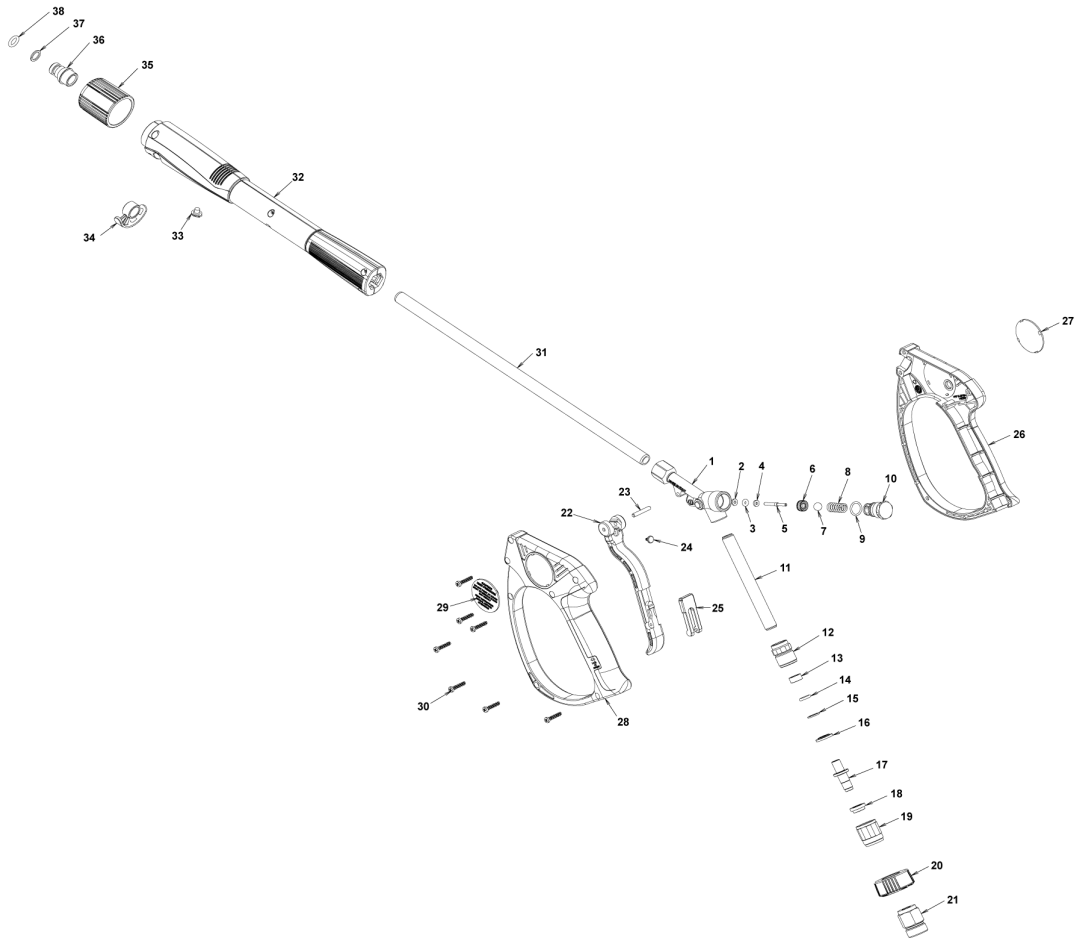




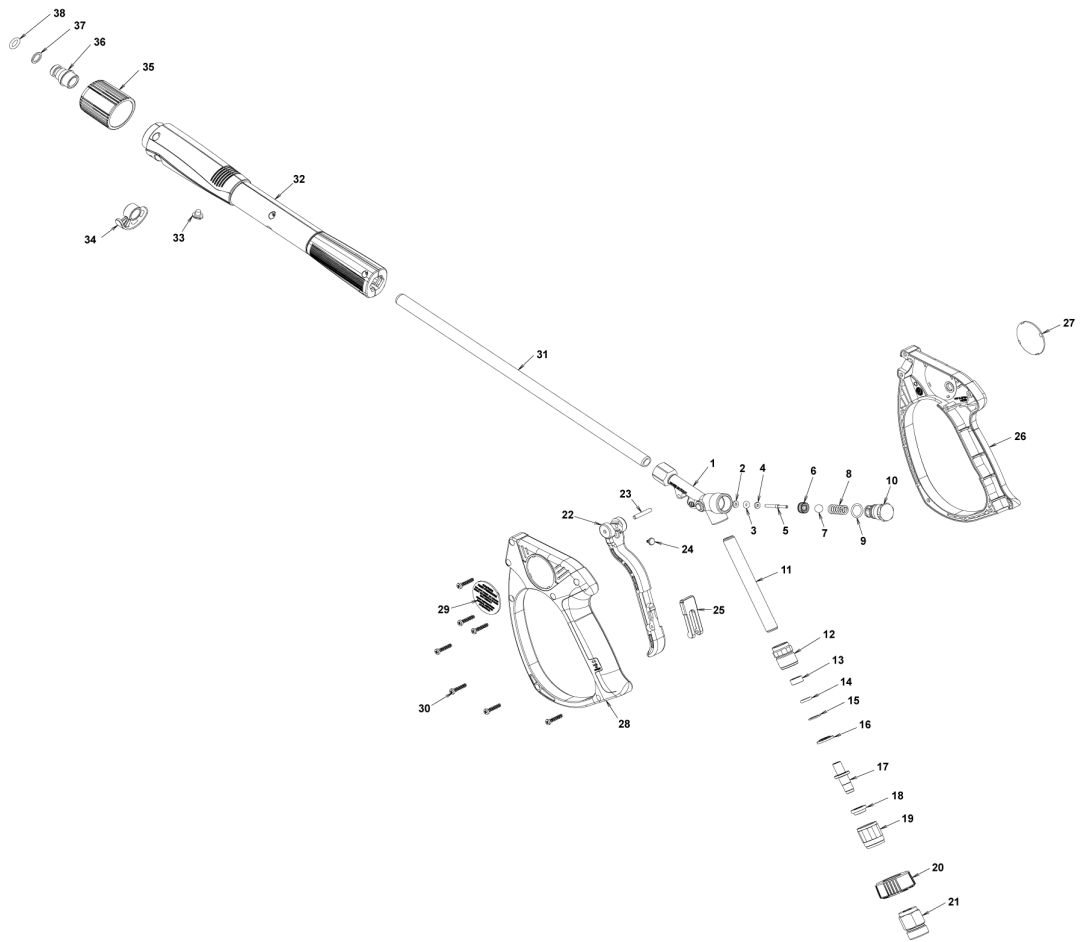
Ref.	K	Part N.	Customer Part N.	Description	Qty	Validity: From	To	Price
K		METT40019		CONTACTOR SIE 3RT 2025-1AC20 24V	1,00	09/2014		--
P		MEPF39902		PRESSURE SWITCHMTM 1/4M NA/NC 25B. MICRO	1,00		05/2012	--
P		MEPF40017		PRESSURE SWITCHPR 5 1/4M 25BAR L.1300	1,00	06/2012		--
CF		MECF08651		EQUIPMENT G22 S.08 TV 1.5 TS10 FTT	1,00			--
CM		MECI48382		COMMUTAT.SWITCHBRM 1-0-2 UNIP.12A CR012	1,00			--
EC		MECE45448		PCB P105 T-ST/MP/LIV. STOP30'	1,00			--
EV		MEBE18120		COIL DLT 220-50 S/CV.	1,00		12/2004	--
EV		MEBE43705		COIL DNF 220-50	1,00	02/2008		--
EV		MEBE49881		COIL DLT 220-50 NF84	1,00	01/2005	02/2008	--
F3		MEVR02824		FUSE 5X20 1A	1,00		10/2004	--
FT		MECF08832		PHOTOELET.CELL FC8/A L=0.620	1,00			--
IG		MECI40017		COMMUTAT.SWITCH0-1-2 UN.	1,00	01/2011		--
IG		MECI40544		COMMUTAT.SWITCH0-1-2 HD12H022-R000	1,00		01/2011	--
LC		MECE34831		FILTER LC F.AH.DA.3100ZF 6.5A	1,00		09/2007	--
PA		MEPD45940		DESCALING PUMP NME 1 24V 50/60HZ	1,00			--
RT		METT40037		THERMAL RELAY SIE 3RU2126-4BB0 14-20 A	1,00	09/2014		--
TA		METR34464		TRANSFORMER 230V-50HZ 2X4000V SP4 CM	1,00		09/2007	--
TA		METR88630		TRANSFORMER 23/240V-5/60HZ 2X26KV TR.	1,00	09/2007		--
TH		METK19354		THERMOSTAT 0-150° L=1500	1,00		12/2010	--
TH		METK40006		THERMOSTAT 0-150° L=1500 S&R	1,00	12/2010	12/2012	--
TH		METK40011		THERMOSTAT 0-150° L=1500 F&C	1,00	01/2013		--
TR		METR40631		TRANSFORMER 500VA 400V/24V CE	1,00			--
TS		METK34839		THERMOSTAT 60°C TR/711-N C.1.5	1,00			--
CKF		MEVR35664		PROTECTION ILME 10P FIX	1,00			--
CKF		MEVR35662		SOCKET ILME 10P+T	1,00			--
CV1		MECB38305		CABLE H07 RNF 4X4 L=6.500	1,00		07/2011	--
CV1		MECB89887		CABLE H07RNF 4X4 L. 6.500	1,00	07/2011		--
LS3		MELF40939		LAMP NEON 230V T120° SLX21.3	1,00			--
RL1		MERL13852		SWITCH RELAY OMR 24 VAC 10A MY2-S	1,00			--
RL2		MERL06520		SWITCH RELAY FIND 24V CA 60.13U	1,00			--
RL3		KTRI89315		KIT PX 5- 36 OMR-IWD/2	1,00			--
EV12		MEEV14389		BODY 1/4"SCEM PM139LV	2,00			--
EV12		MEBE29000		COIL SCEM ZB14-24V AC	2,00			--
F123		MEVR00237		FUSE 5X20 3,15A	3,00	10/2004		--
LS12		MELF48357		LAMP LUMI. 24V FAST	2,00			--
P1,2		MEPF39741		PRESSURE SWITCHMTM 1/8M NA/NC 25B. MICRO	2,00		05/2012	--
P1,2		MEPF40016		PRESSURE SWITCHPR 5 1/8M 25BAR RD.L.1300	2,00	06/2012		--



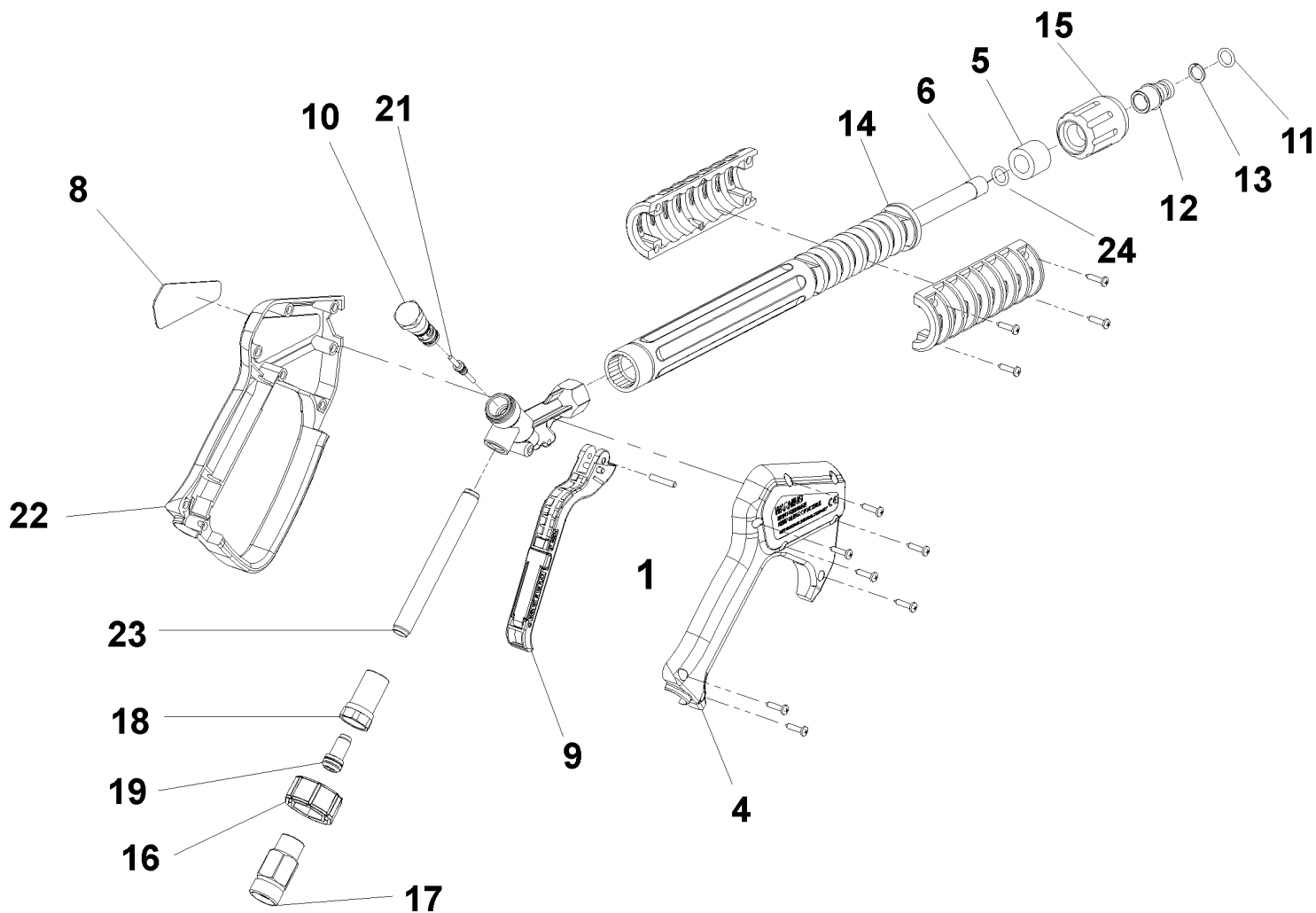
Ref. K	Part N.	Customer Part N.	Description	Qty	Validity:		Price
					From	To	
0001	PVVR08141		BODY ST 2000	1,00			--
0002	PVVR08142		COVER ST 2000	1,00			--
0003	KTRI10689		KIT P 26- 1	1,00			--
0004	RCDS08145		CAP G 1/8" OT	1,00			--
0005	PVVR08146		BRASS HOUSING ST 2000	1,00			--
0006	VTVT28553		SCREW TCB-TC 3.5X16	2,00			--
0007	PVVR29763		TUBE G 1/4" +RCC 3/8"	1,00			--
0008	PVVR08147		CONNECTOR 1/4 ST 2000	1,00			--
0009	PVVR08149		PIN ST 2000	1,00			--
0010	PVVR08143		TRIGGER	1,00			--



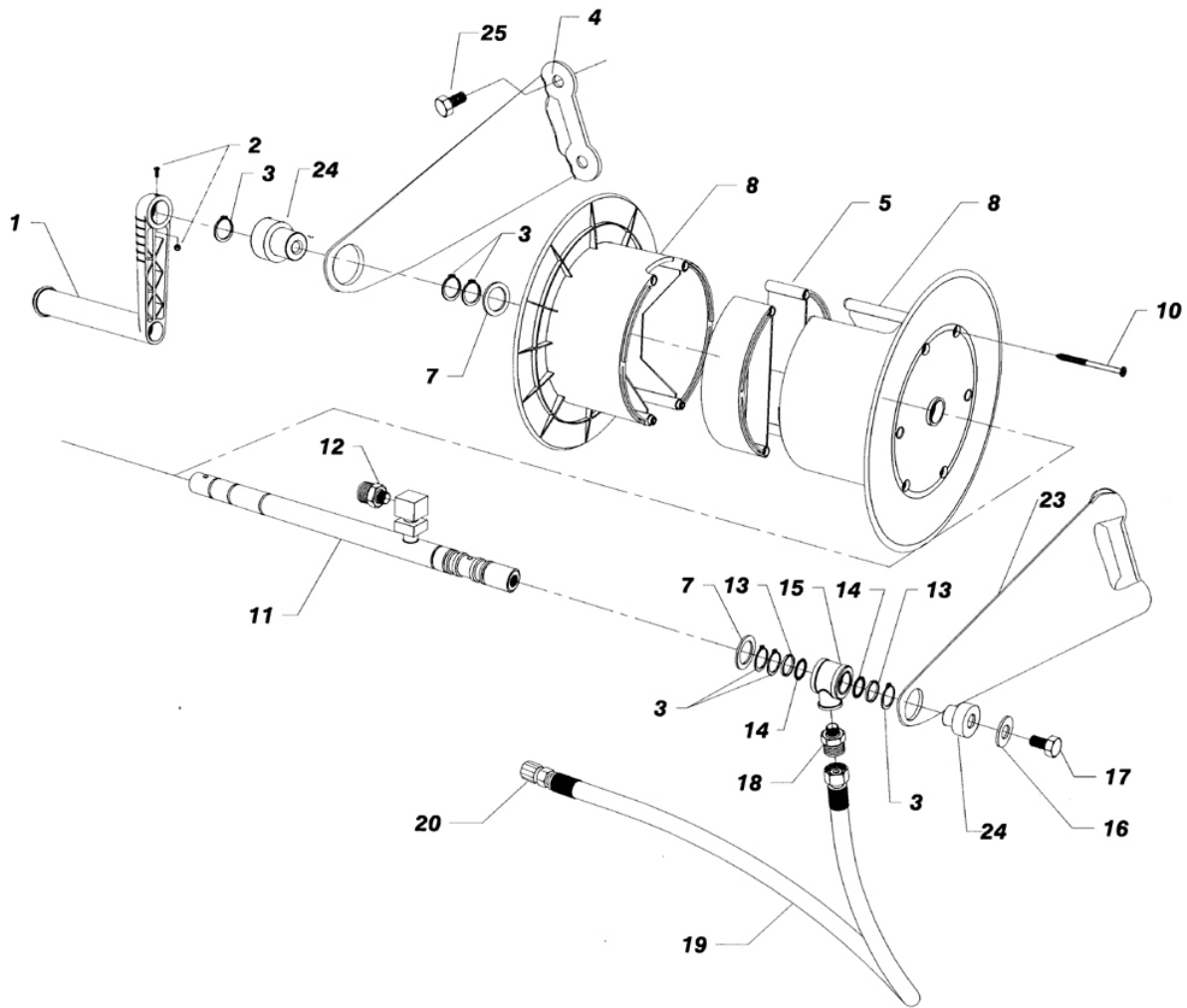
Ref.	K	Part N.	Customer Part N.	Description	Qty	Validity:		Price
						From	To	
0001		PVVR40402		GUN BODY G5000-V/2 G1/4F	1,00			--
0002	S	GUGO17952		O-RING D. 2.84 X 2.62 NBR 70SH	1,00			--
0003	S	GUGO21835		O-RING D. 2.84 X 2.62 VIT. 80SH	1,00			--
0004	S	VTRS40024		WASHER D. 3 X 7 X1,5 OT	1,00			--
0005	S	PVVR40404		SMALL PISTON G5000-V/2	1,00			--
0006	S	PVVR40112		BALL SEAT G 5000	1,00			--
0007	S	SFVR06779		BALL INOX 11/32	1,00			--
0008		MLML40016		SPRING D. 9.4 x21.5x1.6 G5000	1,00			--
0009	S	GUGO21841		O-RING D. 12.42 X 1.78 NBR 90SH	1,00			--
0010		PVVR40113		CAP G 5000	1,00			--
0011		PVVR40405		TUBE G 1/4" L.115	1,00			--
0012		RCIN40024		CONNECTOR SWIV G5000-V/2 1/4F	1,00			--
0013	S	PVVR40406		BUSHING G5000-V/2	1,00			--
0014	S	PVVR40403		RING SW. G5000-V/2	1,00			--
0015	S	GUVR40081		ANTI-EXTR.RING D.9 X13.2X1.2	1,00			--
0016	S	PVVR40407		SPACER G5000-V/2	1,00			--
0017	S	PVVR40408		PIN G5000-V/2	1,00			--
0018	S	PVVR40409		BUSHING C/GRAD. G5000-V/2	1,00			--
0019		PVVR40410		NIPPLE G5000-V/2	1,00			--
0020		PVVR40411		KNOB SWIVEL G5000-V/2	1,00			--
0021		RCIN40025		CONNECTOR SWIV G5000-V/2 M22	1,00			--
0022	S	MPVR40628		TRIGGER G5000-V/2	1,00			--
0023	S	VTVR40008		PLUG D. 3 G5000	1,00			--
0024	S	PVVR45053		PAWL G 2100 INX	1,00			--
0025	S	MPVR40629		SAFETY-DEVICE G 5000-SW	1,00			--
0026		MPVR40630		SHELL G5000-V/2 DX	1,00			--
0027		MPVR40631		PLATE G5000-V/2	1,00			--
0028		MPVR40632		SHELL G5000-V/2 SX	1,00			--
0029		MPVR40633		PLATE G5000-V/2 SX	1,00			--
0030		VTVT62984		SCREW TC-CR M 4.2 X19 ZN	7,00			--
0031		LCPR40015		TUBE 1/4 L=370 ZC. 0°	1,00			--
0032		MPVR40195		PROTECTION P 370 MV	1,00			--
0033		MPVR40198		CAP G 5000	1,00			--
0034		MPVR40197		CAP G 5000 FIX.	1,00			--
0035		PVVR40119		CONNECTION M22X1,5 IRV G5000	1,00			--
0036		RCIN40009		GUDGEON G 1/4 F IRV G5000	1,00			--
0037		GUVR40034		ANTI-EXTR.RING D. 10 X14	1,00			--
0038		GUGO40055		O-RING D. 2.62 X 9.19 - VITON	1,00			--



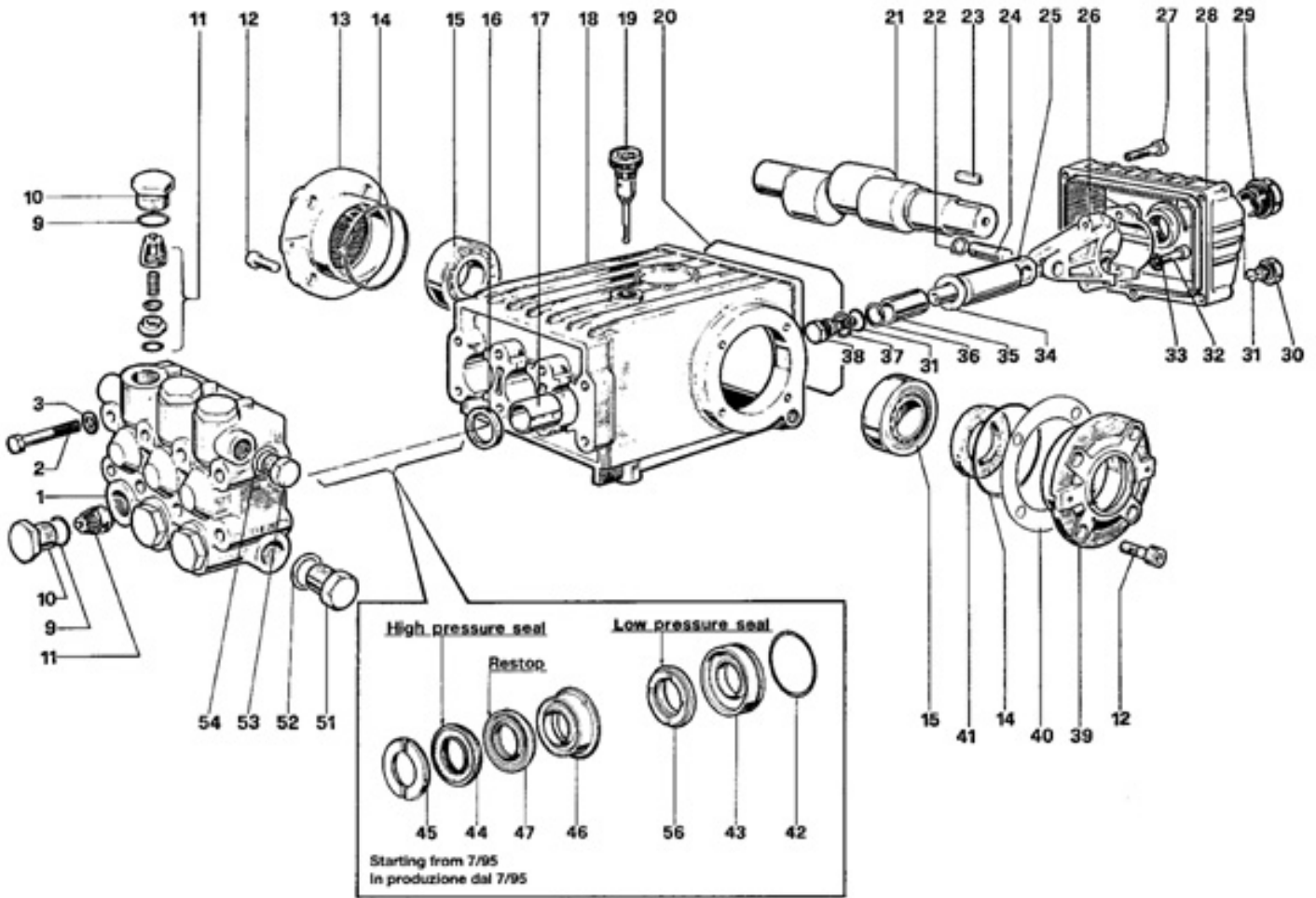
Ref. Part N.	Cust. Part N.	Description	Reference	Price
KTRI40285	KIT P	26- 27 SWIVEL G5000-V/2	0013 0014 0015 0016 0017 0018	--
KTRI40286	KIT P	26- 28 LEVA G5000-V/2	0022 0023 0024 0025	--
KTRI40287	KIT P	26- 29 OR SEDE G5000-V/2	0002 0003 0004 0005 0006 0007 0009	--



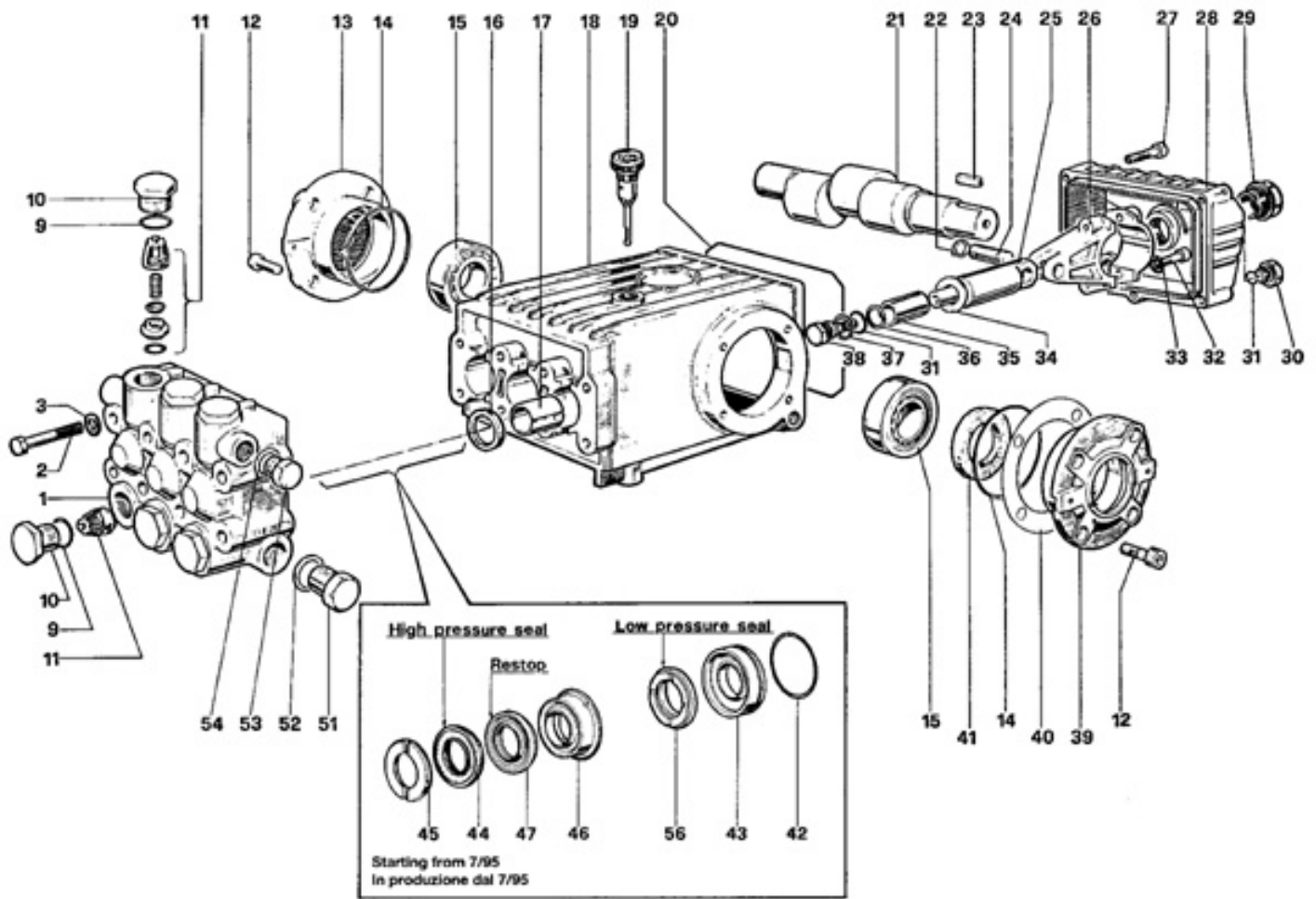
Ref. K	Part N.	Customer Part N.	Description	Qty	Validity:		Price
					From	To	
0001	VTVR46568		PLUG G 4500	1,00			--
0004	MPVR40157		COVER G 4500 2V.	1,00	05/2008		--
0004	MPVR46563		COVER G 4500	1,00		04/2008	--
0005	MPVR46572		SPACER P 330 ST	1,00			--
0006	LCPR40007		TUBE 1/4 L=352 ZC. 2V.	1,00	05/2008		--
0006	LCPR46571		TUBE 1/4 L=352 ZC.	1,00		04/2008	--
0008	MPVR46569		PLATE G 4500 RD.	1,00			--
0009	MPVR40057		TRIGGER G 4500 -SW	1,00			--
0010	PVVR40030		SMALL PISTON TM ST-2300	1,00			--
0011	GUGO10384		O-RING D. 10 X 2.2 VIT 80SH	1,00			--
0012	RCVR13030		GUDGEON G 1/4 F L=31.5	1,00			--
0013	GUVR10526		ANTI-EXTR.RING D.13.9X10.2 C.BZ	1,00			--
0014	MPVR46570		PROTECTION P 330 ST	1,00			--
0015	PVVR13445		CONNECTION M 22X1.5 L=45	1,00			--
0016	MPVR40058		RING NUT G4500 SW.	1,00			--
0017	RCIN40001		JOINT SWIV 4500 3/8"F	1,00		04/2008	--
0017	RCIN40005		JOINT SWIV 4500 3/8"F 2V.	1,00	05/2008		--
0018	RCIN31641		CONNECTOR SWIV 1500 F	1,00			--
0019	KTRI31645		KIT P 26- 14	1,00			--
0021	PVVR40031		ROD ST-2300	1,00			--
0022	MPVR40156		SHELL G 4500 2V.	1,00	05/2008		--
0022	MPVR46562		SHELL G 4500	1,00		04/2008	--
0023	PVVR40023		TUBE G 1/4" M/M P/SW.	1,00			--
0024	GUGO27021		O-RING D. 11 X 2.5 EPD 70SH	1,00	05/2008		--



Ref.	K	Part N.	Customer Part N.	Description	Qty	Validity:		Price
						From	To	
0001		MPVR31495		HANDLE PRT D. 3.5	1,00			--
0002		VTVT43875		SCREW TSPEI 4X40 UNI5933	1,00			--
0003		VTAE33674		CIRCLIP D. 22 UNI 7435	3,00			--
0004		LAFN49149		HOSE WIND.SUPP.IWD/2 SX	1,00			--
0005		MPVR39257		SPACER A.T PP	2,00			--
0006		VTVT29165		SCREW AF TCB-TC 5 X20 TL	8,00			--
0007		VTRS04924		WASHER D.23X 39	1,00			--
0008		MPVR37152		HOSE REEL PRT PP	2,00		09/2013	--
0008		MPVR40581		HOSE REEL PRT.ANM PP	2,00	10/2013		--
0010		VTVT39735		SCREW TCB-TC 5 X80 TL P/PLS	4,00			--
0011		LAFN48953		AXLE PRT 2V. 3PZ.	1,00	06/2003		--
0012		RCIN10577		MALE COUPLING 1/4MA	1,00			--
0012		VTDD04369		NUT M 4 TEF UNI 7473	1,00			--
0013		GUVR37665		ANTI-EXTR.RING D.17.8X22 X1.5 PTFE	2,00			--
0014		GUGO01032		O-RING D. 17.13 X 2.62 NBR 70SH	2,00			--
0015		RCDS37667		BLOCK PRT OT.	1,00		06/2010	--
0015		RCDS89862		BLOCK PRT-P237 G3/8 OT.	1,00	06/2010		--
0016		VTRS00514		WASHER D.10X30X11.4	1,00			--
0017		VTVT00454		SCREW TE 10X16	1,00			--
0018		RCDS00608		NIPPLE 3/8 - 1/4 SV	1,00		06/2010	--
0018		RCDS00610		NIPPLE 3/8 - 3/8 SV	1,00	06/2010		--
0019		TBAP25930		HOSE-FITTING 5/16 R2 L=630 0- 0° 3/8F	1,00			--
0020		RCIN03755		FEMALE COUPLIN.3/8MB	1,00			--
0023		LAFN49147		HOSE WIND.SUPP.IWD/2 DX	1,00			--
0024		MPVR45822		BUSHING D.28-38/22.5 L=24.5 PVC N	1,00			--
0025		VTVT13797		SCREW TE 8X16 UNI8111 SW.FRM	4,00			--

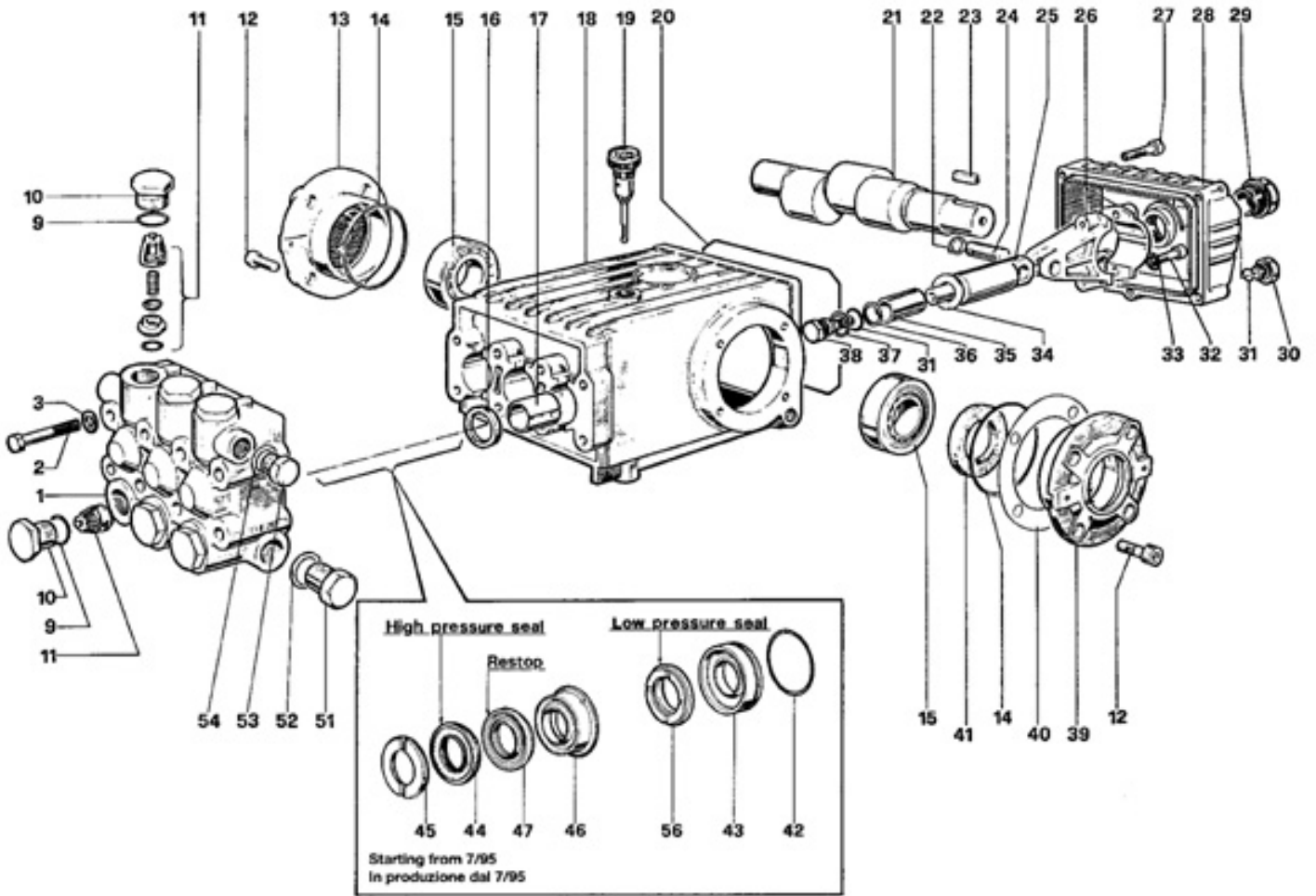


Ref.	K	Part N.	Customer Part N.	Description	Qty	Validity:		Price
						From	To	
0001		MFVR01097		HEAD W 151	1,00			--
0002		VTVT01111		SCREW TE M 8X70 UNI 5737 A.10.9	8,00			--
0003		VTRS01072		WASHER D. 8 TC	8,00			--
0009	S	GUGO01033		O-RING D. 20.24 X 2.62 NBR 90SH	6,00			--
0010	S	RCDS01087		CAP M24X2X16 OTT	6,00			--
0011	S	VVAM01104		VALVE UNIT W 70-151	6,00			--
0012		VTVT01118		SCREW TCEI M 8X16 ZC. UNI 5931	8,00			--
0013		MFVR03576		CRANKASE COVER W151	1,00			--
0014		GUGO01041		O-RING D. 67.95 X 2.62 NBR 70SH	2,00			--
0015		CUVR09205		ROLLER BEARING 32206 A	2,00			--
0016	S	GUGO01000		OIL SEAL 22X 32X 5 NBR70	3,00			--
0017		PVVR01011		BUSHING W 151	3,00			--
0018		MFVR01013		PUMP CRANKCASE W 151	1,00			--
0019		PVVR01092		OIL DIPSTICK W 151	1,00			--
0020		GUGO34590		O-RING D. 133.02 X 2.62 NBR 70SH	1,00			--
0021		ALMO06514		SHAFT WS202	1,00			--
0022		VTAE14016		CIRCLIP D. 12 UNI 7435	6,00			--
0023		VTVR01031		KEY 8X7X25 UNI6604	1,00			--
0024		PVVR01085		GUDGEON D.13X35 W151	3,00			--
0025		PVVR01029		PISTON GUIDE W 151	3,00			--
0026		BLVR01009		CONNECTING ROD W 151	3,00			--
0027		VTVT01116		SCREW TCEI 6X30 UNI5931	5,00			--
0028		MFVR03582		CRANKASE COVER W 151 POS	1,00			--
0029		PVVR01083		OIL INDICATOR G 3/4 W70-151	1,00			--
0030		RCDS01088		CAP 1/4X 9 M WW90	1,00			--
0031	S	GUGO01036		O-RING D. 10.82 X 1.78 NBR 70SH	4,00			--
0032		VTVT01120		SCREW TCEI 8X35 UNI5931	6,00			--
0033		VTRS14242		WASHER D. 8.4X13X0.8 UNI7064 SCH	6,00			--
0034	S	VTRS01753		WASHER D.14X28 X0,5	3,00			--
0035		PIVR01066		PISTON D.20X50 W 151	3,00			--
0036	S	GUVR00994		ANTI-EXTR.RING W151	3,00			--
0037	S	VTRS01076		WASHER D.14X18,5X0,5	3,00			--
0038	S	PVVR01107		PISTON BOLT IP W151	3,00			--
0039		MFVR03583		CRANKASE COVER W151	1,00			--
0040		PVVR01016		THICKNESS 0,1 W 151	2,00			--
0041	S	GUGO01003		OIL SEAL 30X 55X 7 NBR70	1,00			--
0042	S	GUGO01042		O-RING D. 34.6 X 1.78 NBR 70SH	3,00			--
0043	S	PVVR00977		PACKING RETAIN.W151	3,00			--
0044	S	GUVR00981		PACKING W151	3,00			--

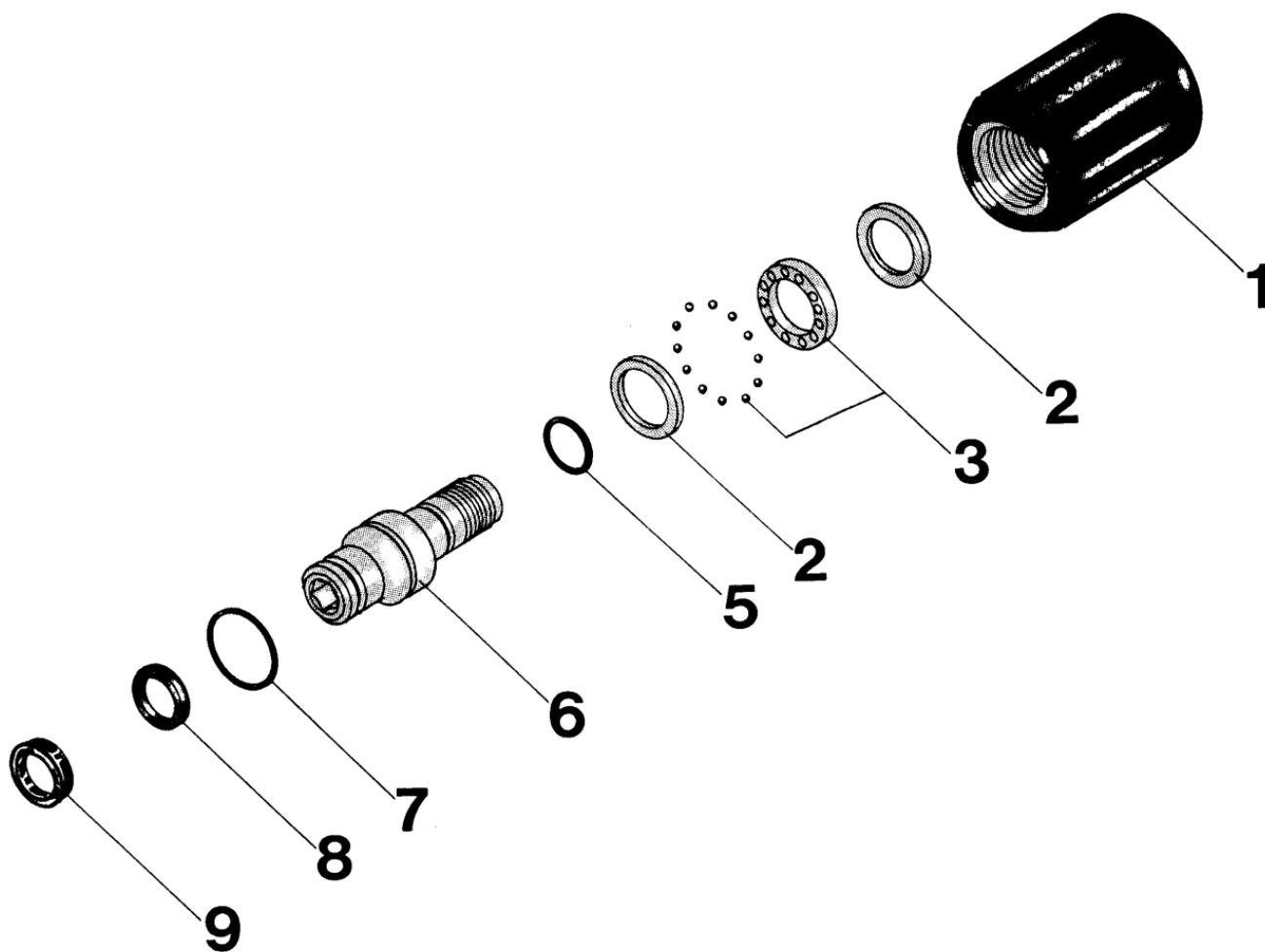


Ref.	K	Part N.	Customer Part N.	Description	Qty	Validity:		Price
						From	To	
0045	S	PVVR00985		HEAD RING W151	3,00			--
0046	S	PVVR34589		INTERMED. RING W 151 D. 20	3,00			--
0047	S	GUVR34587		PACKING D. 20 RESTOP	3,00			--
0051		RCDS01091		CAP 1/2X10 M	1,00			--
0052		VTRS01075		WASHER D.21,5X27 ALL	1,00			--
0053		RCDS01090		CAP 3/8X13 M WW90	1,00			--
0054		VTRS01074		WASHER D.17,05X22,3 X1,5	1,00			--
0056	S	GUVR34585		PACKING W 151 L.P.	3,00			--

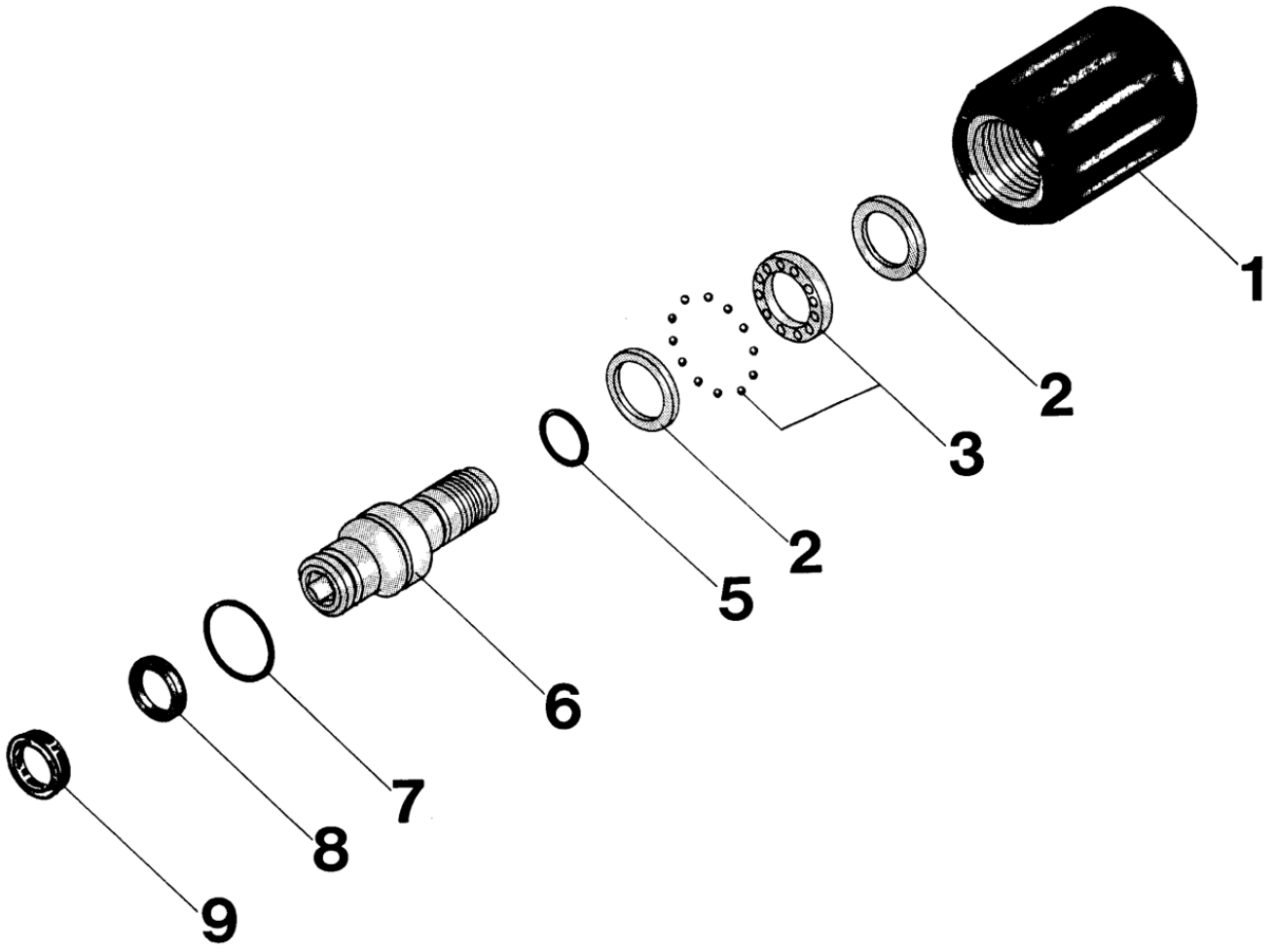




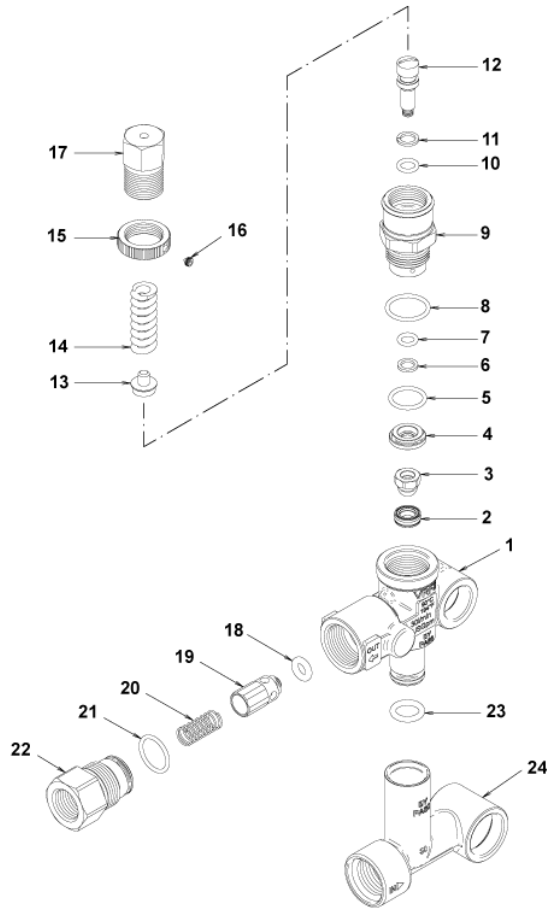
Ref. Part N.	Cust. Part N.	Description	Reference	Price
KTRI14900	KIT P	15- 3	0041	--
KTRI14901	KIT P	10	0042 0043	--
KTRI17793	KIT P	6	0031 0034 0036 0037 0038	--
KTRI17795	KIT P	4	0009 0010	--
KTRI17859	KIT P	1	0011	--
KTRI17860	KIT P	15- 2	0016	--
KTRI18574	KIT P	7	0045	--
KTRI18579	KIT P	28	0042 0043 0044 0045 0046 0047 0056	--



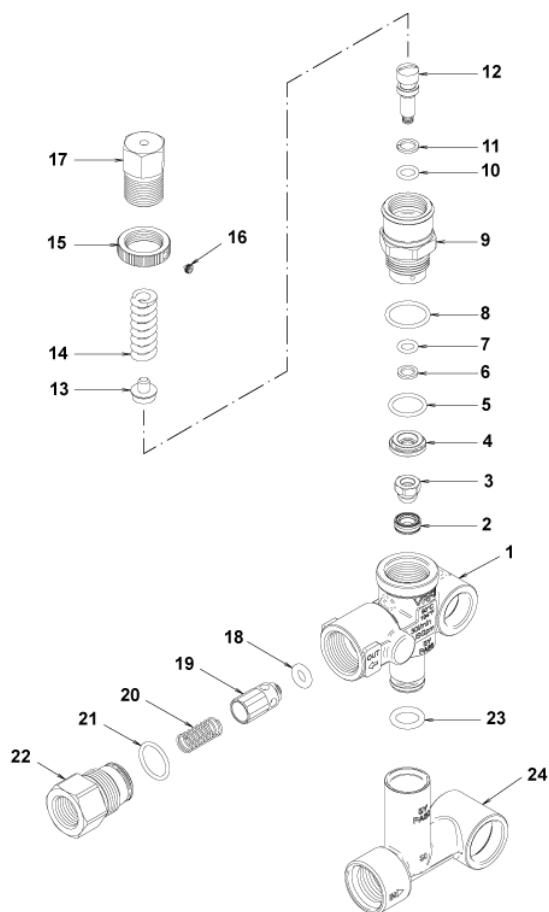
Ref.	K	Part N.	Customer Part N.	Description	Qty	Validity:		Price
						From	To	
0001		PVVR16587		RING NUT M22X1.5 ST 44	1,00			--
0002		PVVR16588		WASHER ST 44	1,00			--
0003		CUVR16589		BALL BEARING ST 44	1,00			--
0005		GUGO16615		O-RING D. 10 X 1.5 NBR 70SH	1,00			--
0006		RCDS18139		GUDGEON G 1/4M ST 44 INX	1,00			--
0007		GUGO16614		O-RING D. 17 X 1.5 NBR 70SH	1,00			--
0008	S	GUVR16593		ANTI-EXTR.RING D. 9.91X14.27 BR.	1,00			--
0009	S	GUGO16594		O-RING D. 9.13 X 2.62 EPDM 70SH	1,00			--



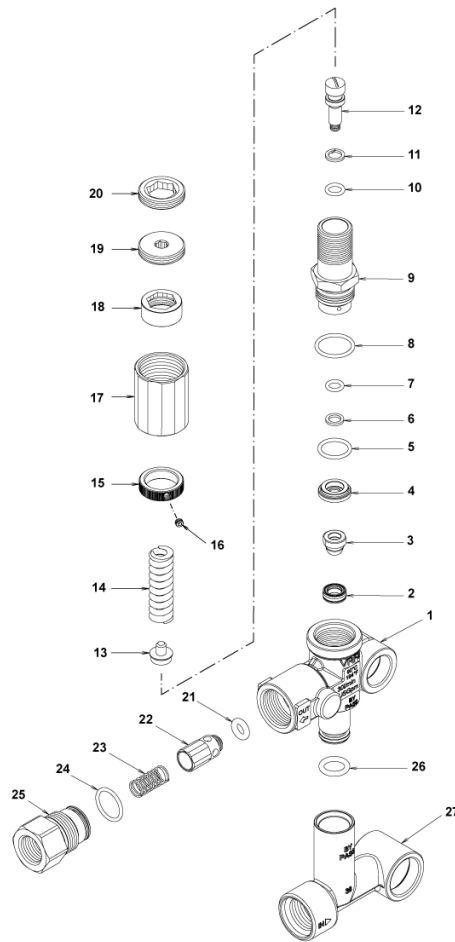
Ref. Part N.	Cust. Part N.	Description	Reference	Price
KTRI16595		KIT P 33- 2	0008 0009	--



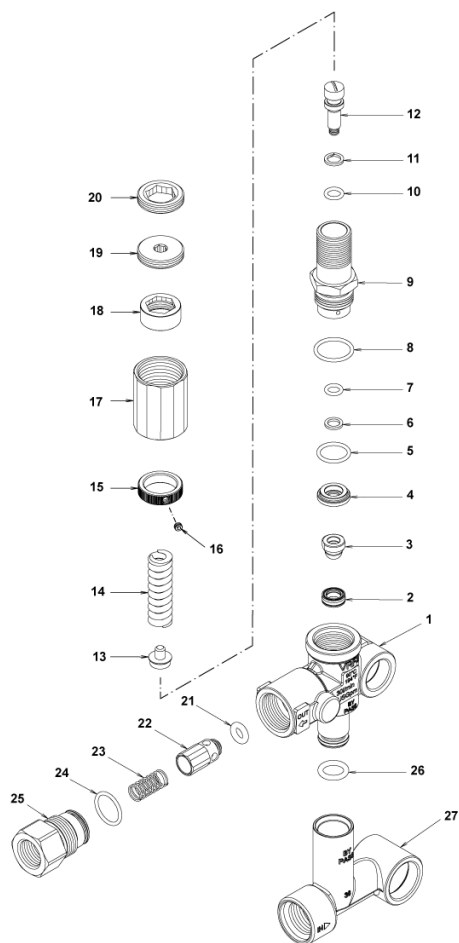
Ref.	K	Part N.	Customer Part N.	Description	Qty	Validity:		Price
						From	To	
0001		PVVR40362		VALVE BODY VRF2	1,00			--
0002	S	PVVR40363		VALVE SEAT MV124 +OR	1,00			--
0003	S	PVVR40364		COUPLING MV124	1,00			--
0004	S	PVVR40365		SPACER MV124	1,00			--
0005	S	GUGO12322		O-RING D. 14 X 1.78 NBR 90SH	1,00			--
0006	S	GUVR40072		ANTI-EXTR.RING D. 6.5X 9.4	1,00			--
0007	S	GUGO83861		O-RING D. 6.07 X 1.78 NBR 90SH	1,00			--
0008	S	GUGO24913		O-RING D. 17.17 X 1.78 NBR 90SH	1,00			--
0009	S	PVVR40366		CONNECTOR VRF2 D.10	1,00			--
0010	S	GUGO03500		O-RING D. 6.75 X 1.78 NBR 70SH	1,00			--
0011	S	GUVR40073		ANTI-EXTR.RING D. 7.1X10 X1.2 TBT	1,00			--
0012	S	PVVR40367		SMALL PISTON D.10 VRF2	1,00			--
0013		PVVR40368		SPRING PLATE MV124 25B	1,00			--
0014		MLML40027		SPRING D. 3.0/6.0 X38.85	1,00			--
0015		PVVR40369		RING NUT MV167.09	1,00			--
0016		VTVT89696		SCREW EI-ST 4X 4 UNI5927 ZC	1,00			--
0017		PVVR40370		CAP VRF2 M18X1	1,00			--
0018	S	GUGO46053		O-RING D. 6 X 3 NBR 90SH	1,00			--
0019	S	PVVR40349		COUPLING VRT3	1,00			--
0020	S	MLML40026		SPRING VRT3	1,00			--
0021	S	GUGO12321		O-RING D. 15.6 X 1.78 NBR 90SH	1,00			--
0022		PVVR40350		CONNECTOR VRT3 G 3/8F	1,00			--
0023		GUGO11225		O-RING D. 10.78 X 2.62 NBR 70SH	1,00			--
0024		PVVR40371		CONNECTOR VRF2.38	1,00			--



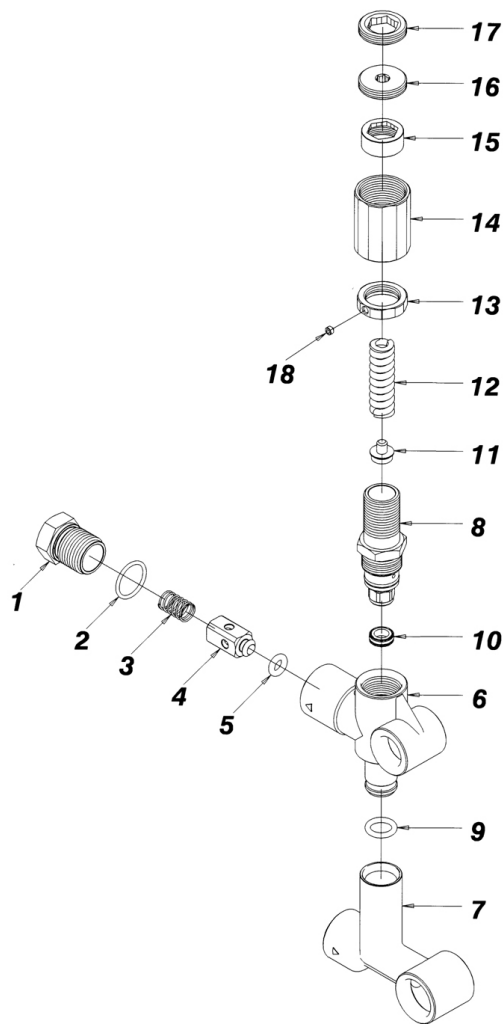
Ref. Part N.	Cust. Part N.	Description	Reference	Price
KTRI40236	KIT P	14-103 VRF2	0002 0003 0004 0005 0006 0007 0008 0009 0010 0011 0012 0018 0019 0020	
			0021	--
KTRI40237	KIT P	14-104 SEAL VRF2	0002 0003 0005 0006 0007 0008 0010 0011 0018 0021	--



Ref.	K	Part N.	Customer Part N.	Description	Qty	Validity: From To	Price
0001		PVVR40362		VALVE BODY VRF2	1,00		--
0002	S	PVVR40363		VALVE SEAT MV124 +OR	1,00		--
0003	S	PVVR40364		COUPLING MV124	1,00		--
0004	S	PVVR40365		SPACER MV124	1,00		--
0005	S	GUGO12322		O-RING D. 14 X 1.78 NBR 90SH	1,00		--
0006	S	GUVR40072		ANTI-EXTR.RING D. 6.5X 9.4	1,00		--
0007	S	GUGO83861		O-RING D. 6.07 X 1.78 NBR 90SH	1,00		--
0008	S	GUGO24913		O-RING D. 17.17 X 1.78 NBR 90SH	1,00		--
0009	S	PVVR40388		CONNECTOR VRF2 RG.165 56A	1,00		--
0010	S	GUGO03500		O-RING D. 6.75 X 1.78 NBR 70SH	1,00		--
0011	S	GUVR40073		ANTI-EXTR.RING D. 7.1X10 X1.2 TBT	1,00		--
0012	S	PVVR40367		SMALL PISTON D.10 VRF2	1,00		--
0013	S	PVVR40368		SPRING PLATE MV124 25B	1,00		--
0014	S	MLML47987		SPRING D. 3.25X41.1 MV 625	1,00		--
0015	S	PVVR40369		RING NUT MV167.09	1,00		--
0016	S	VTVT89696		SCREW EI-ST 4X 4 UNI5927 ZC	1,00		--
0017	S	PVVR47989		CAP MV 625 REG.	1,00		--
0018	S	PVVR47990		RING NUT MV 625 REG.	1,00		--
0019	S	PVVR47991		REGISTER MV 625 REG.	1,00		--
0020	S	PVVR47992		CLAMP MV 625 REG.	1,00		--
0021	S	GUGO46053		O-RING D. 6 X 3 NBR 90SH	1,00		--
0022		PVVR40349		COUPLING VRT3	1,00		--
0023		MLML40026		SPRING VRT3	1,00		--
0024	S	GUGO12321		O-RING D. 15.6 X 1.78 NBR 90SH	1,00		--
0025		PVVR40350		CONNECTOR VRT3 G 3/8F	1,00		--
0026		GUGO11225		O-RING D. 10.78 X 2.62 NBR 70SH	1,00		--
0027		PVVR40371		CONNECTOR VRF2.38	1,00		--



Ref. Part N.	Cust. Part N.	Description	Reference	Price
KTRI40237	KIT P	14-104 SEAL VRF2	0002 0003 0005 0006 0007 0008 0010 0011 0021 0024	--
KTRI40256	KIT P	14-105 VRF2 Reg.	0002 0003 0004 0005 0006 0007 0008 0009 0010 0011 0012 0013 0014 0015 0016 0017 0018 0019 0020	--



Ref.	K	Part N.	Customer Part N.	Description	Qty	Validity:		Price
						From	To	
0001		PVVR47977		CONNECTOR MV625 G 3/8F	1,00			--
0002		GUGO01058		O-RING D. 17.17 X 1.78 NBR 70SH	1,00			--
0003		MLML47978		SPRING MV 625	1,00			--
0004		PVVR47979		PIN MV 625	1,00			--
0005		GUGO46053		O-RING D. 6 X 3 NBR 90SH	1,00			--
0006		PVVR47980		VALVE BODY MV 625	1,00			--
0007		PVVR47997		CONNECTOR MV 625 H.73	1,00			--
0008		PVVR47988		CONNECTOR MV 625 REG.	1,00			--
0009		GUGO11225		O-RING D. 10.78 X 2.62 NBR 70SH	1,00			--
0010		PVVR47985		VALVE SEAT MV 625 + O-RING	1,00			--
0011		PVVR47986		SPRING PLATE MV 625	1,00			--
0012		MLML47987		SPRING D. 3.25X41.1 MV 625	1,00			--
0013		PVVR47984		RING NUT MV 625	1,00			--
0014		PVVR47989		CAP MV 625 REG.	1,00			--
0015		PVVR47990		RING NUT MV 625 REG.	1,00			--
0016		PVVR47991		REGISTER MV 625 REG.	1,00			--
0017		PVVR47992		CLAMP MV 625 REG.	1,00			--
0018		VTVT24918		SCREW EI-ST 4X 4 UNI5927	1,00			--