



**IPC Integrated Professional Cleaning**

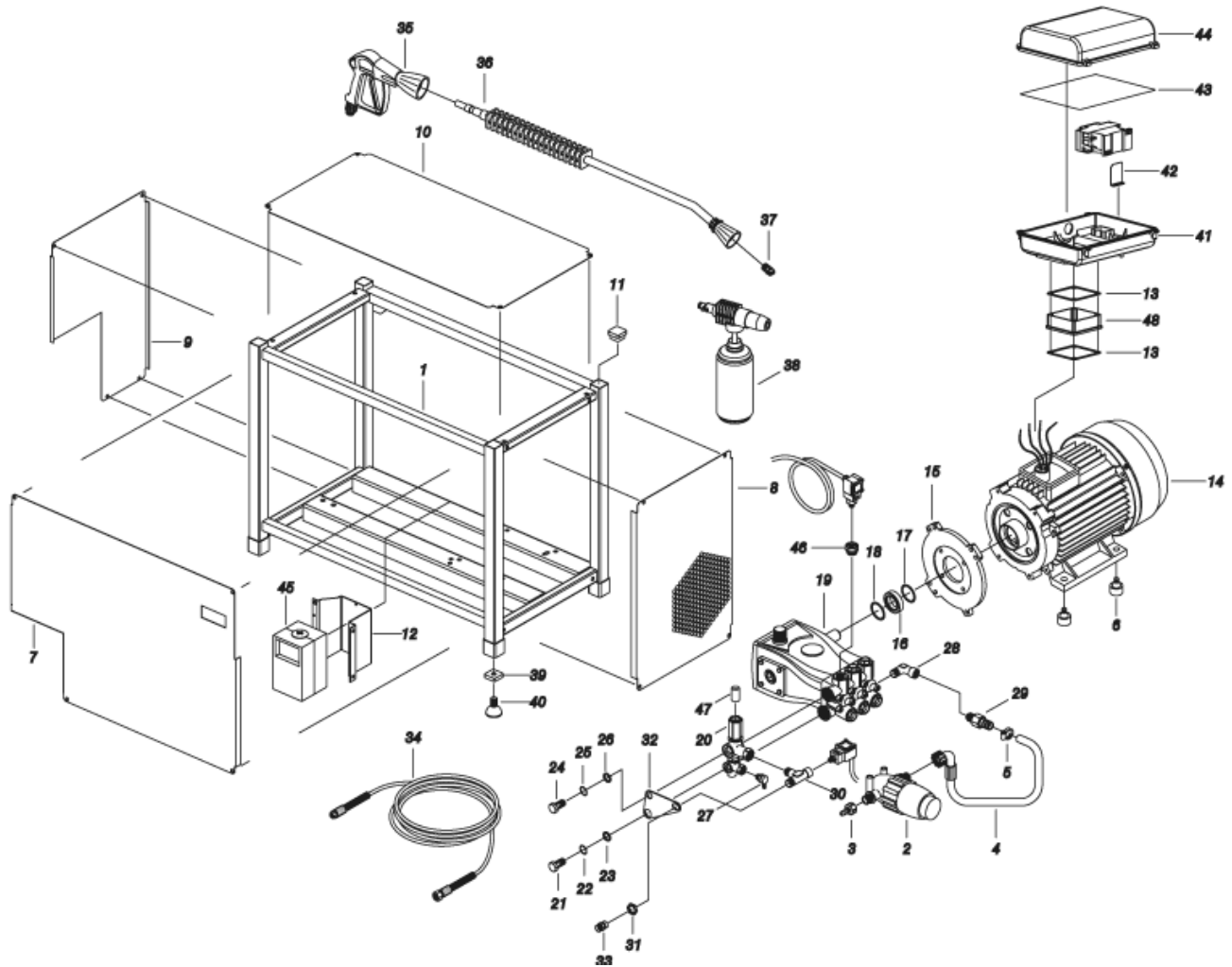
**IPC** Portotecnica

## Spare Parts List

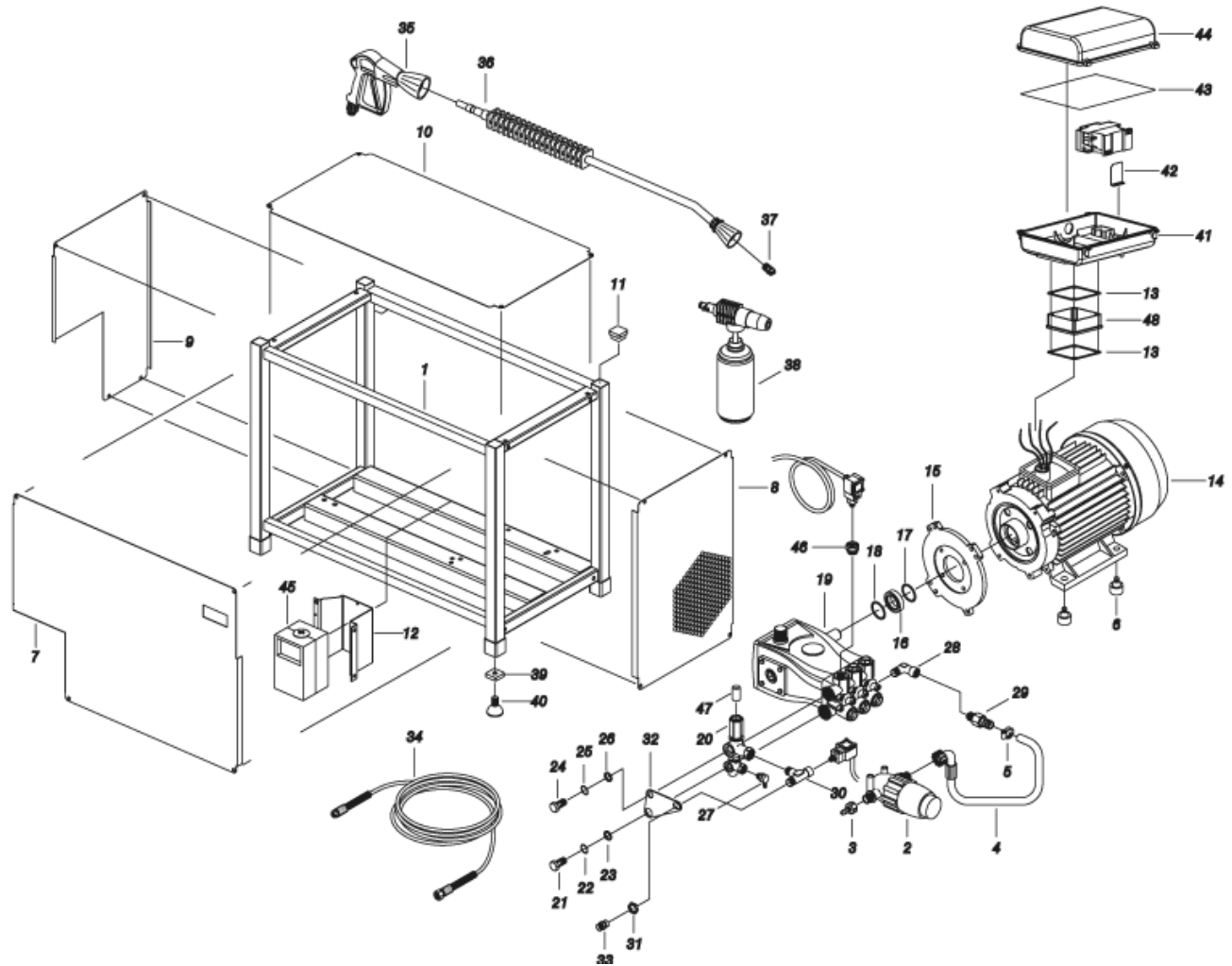
IPF ENGINEERING LTD

Ref: IDAF40537

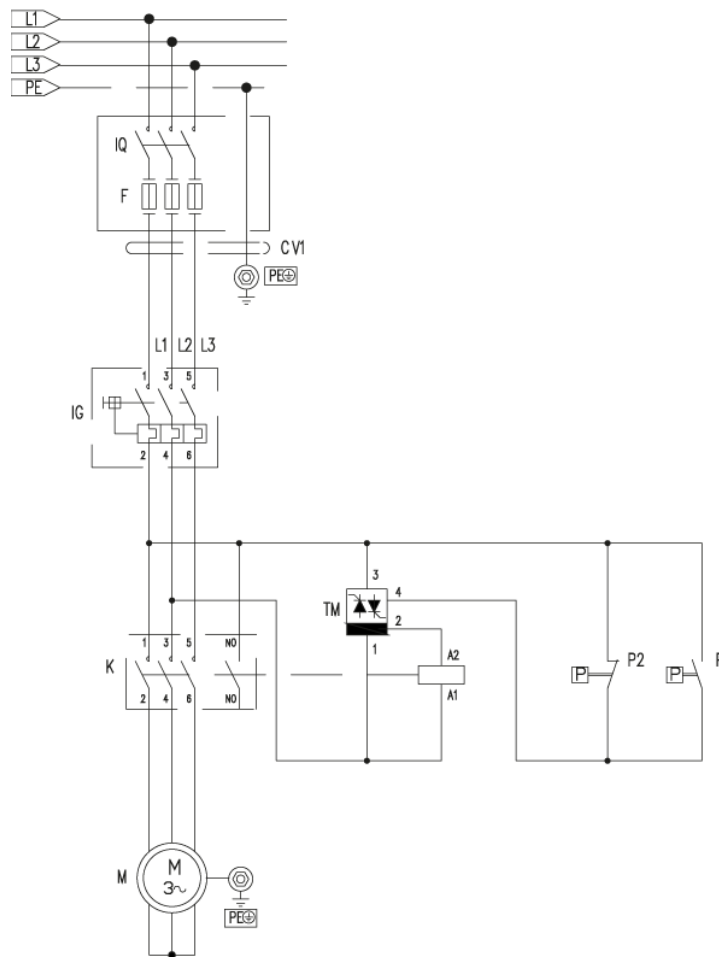
Model: IDROP MUR. MLC-C D2117P T 400/50 3-08IPC



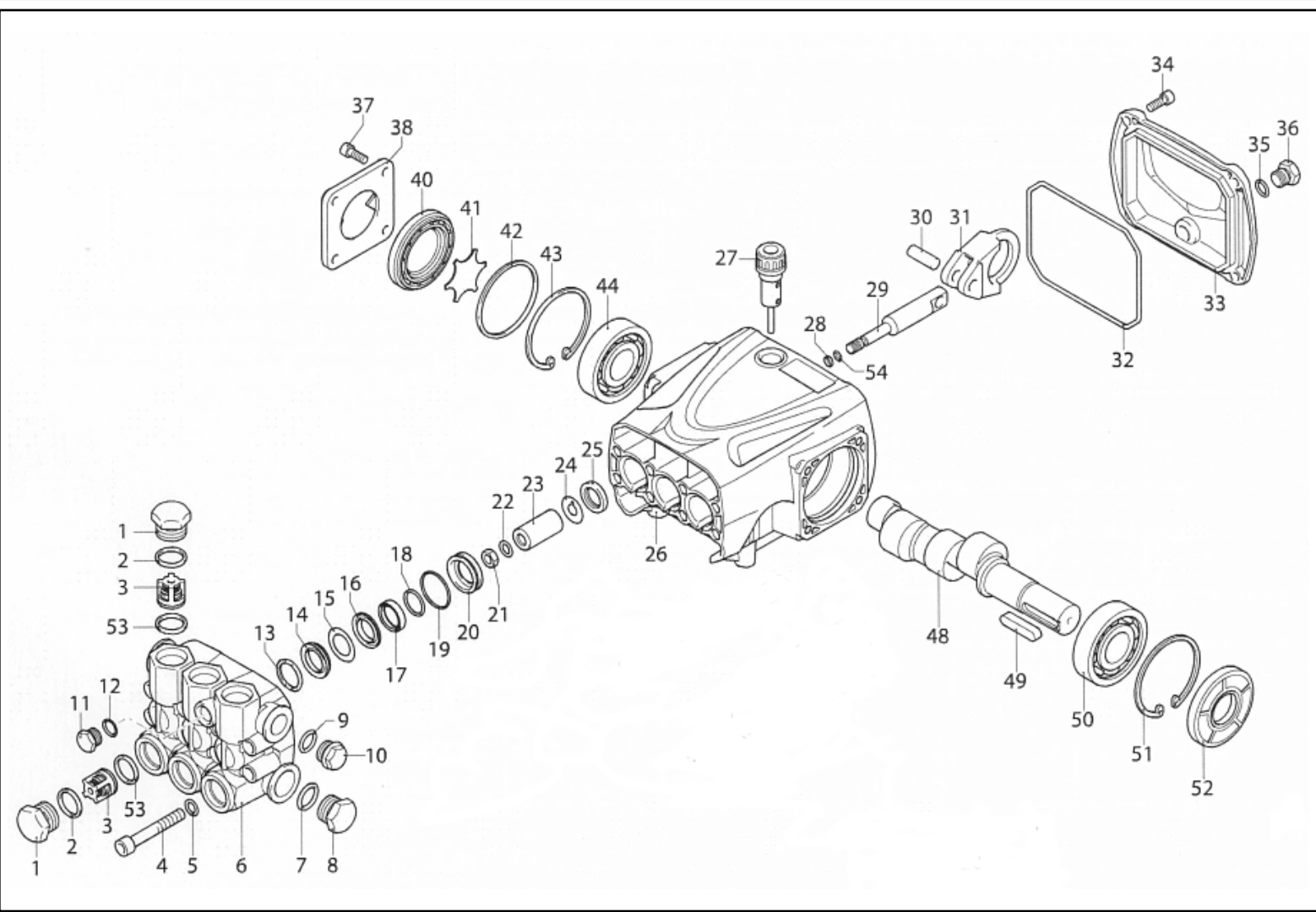
Ref.	K	Part N.	Customer Part N.	Description	Qty	Validity:		Price
						From	To	
0001		LAFN40426		FRAME MURALE ML.C	1,00			--
0002		FTAC40010		WATER FILTER 3/4 MM 100MS ARG	1,00			--
0003		RCVR29600		SOCKET PTC 3/4 F	1,00			--
0004		TBBP40041		L.P. HOSE L=500 3/4F 90° -LIB.	1,00			--
0005		FSVR00431		CLAMP D. 16-25	1,00			--
0006		ABGO13580		VIBRATION DAMP.30X20- 2M8X23 -60+5SH	4,00		03/2015	--
0006		ABGO93800		VIBRATION DAMP.CL.30X25- 2M8X30-60SH NBR	4,00	04/2015		--
0007		LAFN40430		ANT. PANEL MURALE ML.C	1,00			--
0008		LAFN40431		LAT. PANEL MURALE ML.C	1,00			--
0009		LAFN40432		LAT. PANEL MURALE ML.C SX	1,00			--
0010		LAFN40433		PANEL SUP. MODULO MUR.ML.C	1,00			--
0012		LAFN40447		PLATE FISS. Q.EL. x MUR.ML.C	1,00			--
0013		GUGO10881		GASKET M.EL. 73X73	2,00	08/2012		--
0013		GUGO10881		GASKET M.EL. 73X73	1,00			--
0014		MOTR40027		3PH MOTOR NRJ HP7.5 23-400/50C RR/K	1,00			--
0015		MFVR21309		COUNTERFLANGE MEC 90-100-112	1,00			--
0016		RCDS25578		BUSHING IP WW141 OT.	1,00			--
0017		GUGO21337		O-RING D. 25.07 X 2.62 VIT 70SH	1,00			--
0018		GUGO21339		O-RING D. 29.82 X 2.62 VIT 70SH	1,00			--
0019		PPAP40058		PUMP RR 15.20 DX N	1,00			--
0020		VVAZ40031		VALVE VRF-2 AR-R AF S/I.	1,00	01/2013		--
0021		RCDS40103		SCREW G 1/2 L=50 INX	1,00			--
0022		GUGO02259		O-RING D. 15.54 X 2.62 NBR 70SH	1,00			--
0023		VTRS12491		WASHER 1/2	1,00		02/2014	--
0023		VTRS40023		WASHER D.21.5X27 X1.5 AL.	1,00	03/2014		--
0024		RCDS40104		SCREW G 3/8 L=50 INX	1,00			--
0025		GUGO03510		O-RING D. 12.37 X 2.62 NBR 70SH	1,00			--
0026		VTRS12492		WASHER 3/8	1,00		02/2014	--
0026		VTRS40022		WASHER D.17 X23 X1.5 AL.	1,00	03/2014		--
0028		RCVR00575		ELBOW 1/2" M/F A10	1,00			--
0029		RCVR40039		HOSE FITTING 1/2 M D.12-16 NIK	1,00			--
0030		RCVR72850		CONNECTOR A T 3/8M-3/8M-1/4F-OT	1,00			--
0031		RCDS40105		LOCKNUT G 3/8 ES.19 SP.4 OT	1,00			--
0032		LAFN40434		BRACKET VALV.AZZERAM. ML.C. INOX	1,00			--
0033		RCDS72894		CONNECTOR M22x1,5-3/8"	1,00			--
0034		TBAP25324		H.P. HOSE R1 MT 10 5/16" C/2 IRV ZC	1,00			--
0035		IPIP40006		GRIP G 5100+AT.RAP.AR3-K +SW.M	1,00			--
0036		LCLC40004		LANCE SF-IX/PU 700 +AR3-K +1/4F	1,00			--
0037		UGLN49987		NOZZLE LECH 1/4 15045	1,00			--



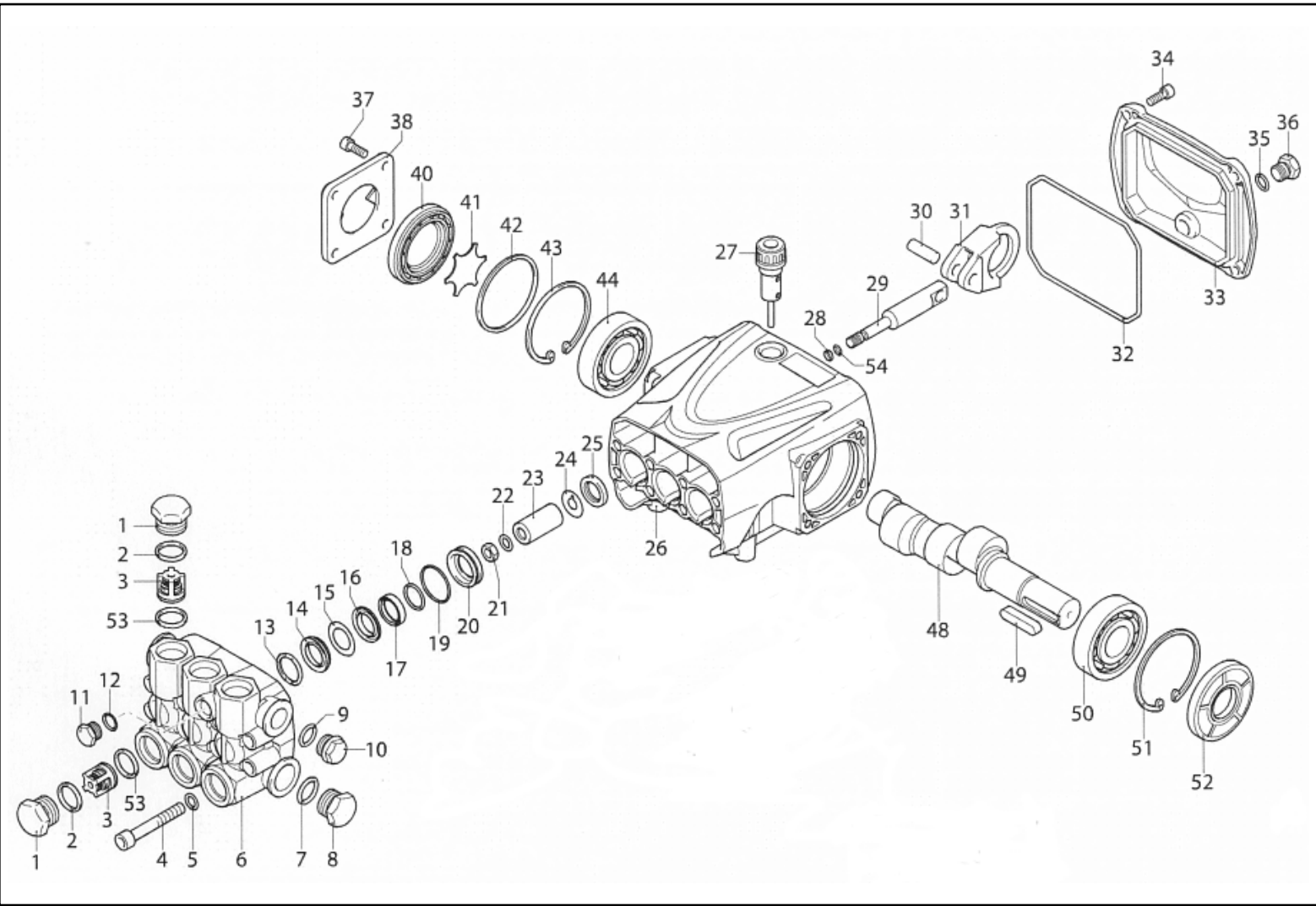
Ref. K	Part N.	Customer Part N.	Description	Qty	Validity:		Price
					From	To	
0039	VTVR40018		PIN NDX.Q-30x1,5-M8	4,00			--
0040	VTVR40020		ELEMENT LIV. LM.25 M8x63	4,00		06/2012	--
0040	VTVR40043		FOOT D.40 M8X40 SND.	4,00	06/2012		--
0041	MPVR40334		CONTROL BOX PW-C4/50 ABS BK.	1,00			--
0042	LAFN40458		SUPPORT PW-C40 INX	1,00			--
0043	GUGO33675		JOINT MOUSSE D. 4	0,90			--
0044	MPVR40409		BOX COVER PW-C40/ML.C ABS BK.	1,00			--
0045	MEVR71576		BOX WMX	1,00			--
0046	PVVR40175		CAP AR RR C/F. 1/8F+OR	1,00			--
0047	PVVR40273		ADAPTER VRF-2 RG.	1,00	01/2013		--



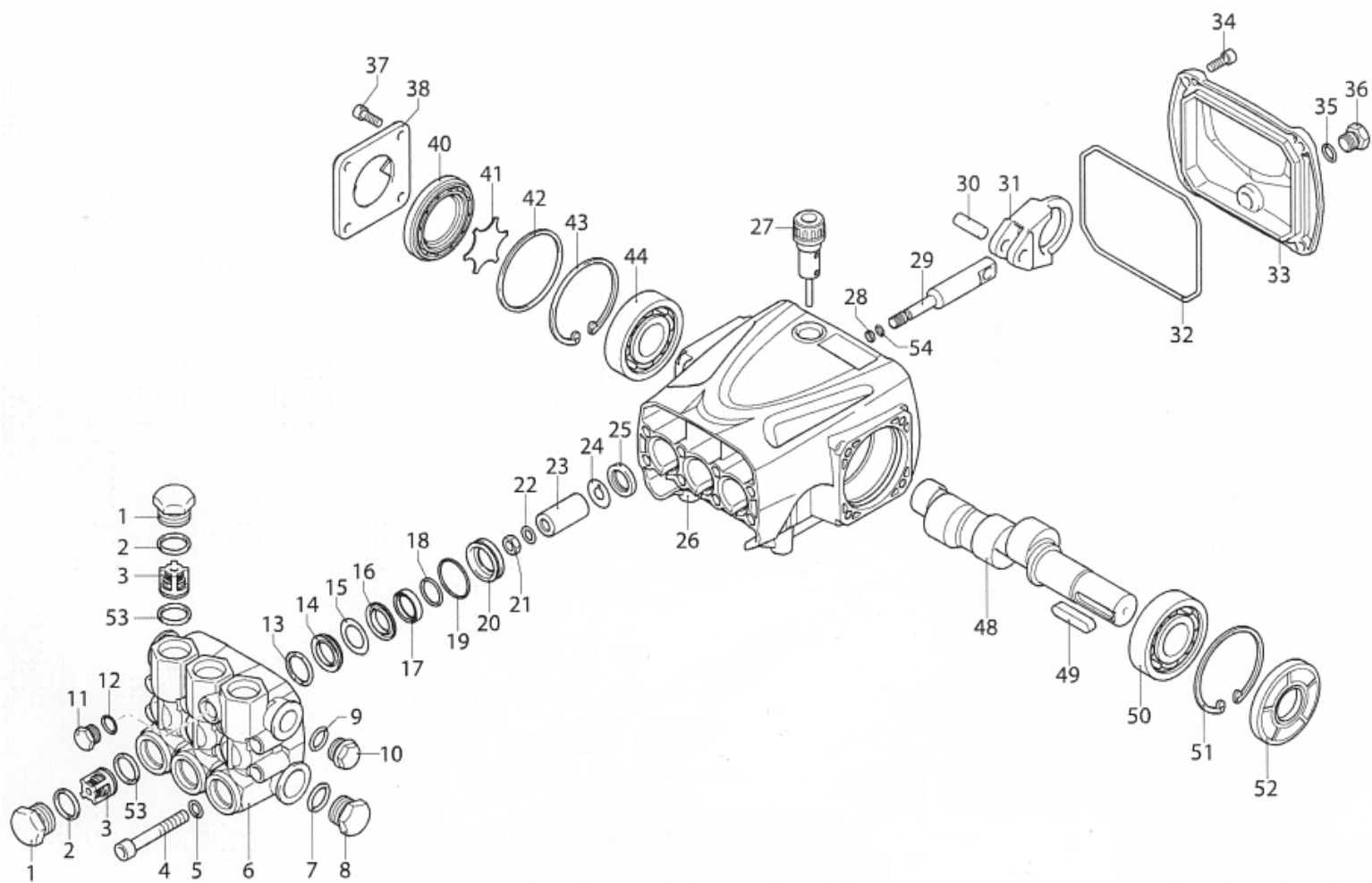
Ref.	K	Part N.	Customer Part N.	Description	Qty	Validity:		Price
						From	To	
K		METT40013		CONTACTOR SIE 3RT 2017-1AV01 400V	1,00	10/2014		--
K		METT40664		CONTACTOR SIE 3RT 1017 1AV01 400V	1,00		10/2014	--
IG		MECI71645		SWITCH WMX MS 25 10-16 A	1,00			--
P1		MEPF39741		PRESSURE SWITCHMTM 1/8M NA/NC 25B. MICRO	1,00			--
P2		MEPF39902		PRESSURE SWITCHMTM 1/4M NA/NC 25B. MICRO	1,00			--
TM		METY37439		TIMER THV/1S 380-415V 30S.5/60	1,00		08/2015	--
TM		METY40003		TIMER THV/1 400-5/60 30S.2P	1,00	09/2015		--
CV1		MECB40002		CABLE H07 RNF 4X1.5 L=6.500	1,00			--



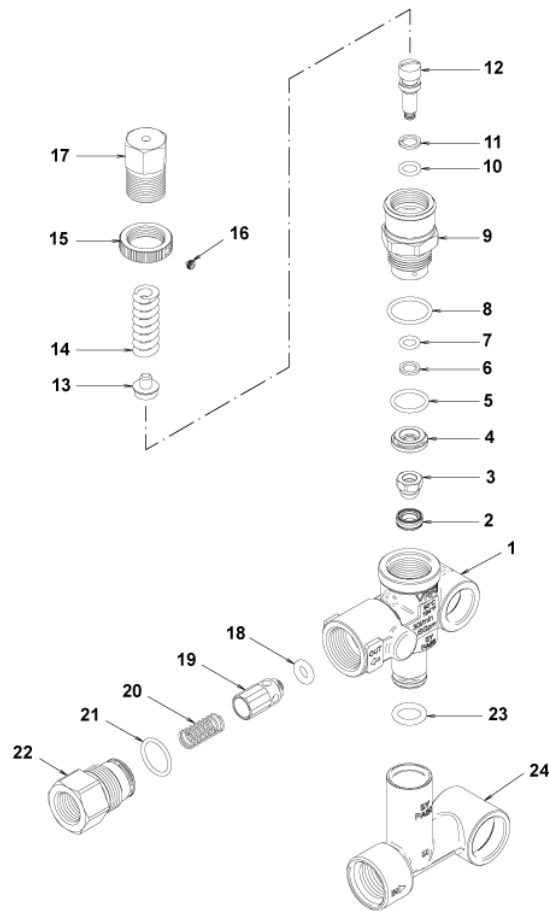
Ref.	K	Part N.	Customer Part N.	Description	Qty	Validity: From To	Price
0001		PVVR40161		CAP AR RR	6,00		--
0002		GUGO03502		O-RING D. 17.86 X 2.62 NBR 70SH	6,00		--
0003	S	VVAM40003		VALVE UNIT RR	6,00		--
0004		VTVT63018		SCREW TCEI M 8X55 ZC U.5931	8,00		--
0005		VTRS14242		WASHER D. 8.4X13X0.8 UNI7064 SCH	8,00		--
0006		MFVR40028		HEAD AR RR OT.	1,00		--
0007		GUGO19245		O-RING D. 17.5 X 2 NBR 70SH	1,00		--
0008		PVVR40121		CAP 1/2 M RC	1,00		--
0009		GUGO09720		O-RING D. 14 X 1.78 NBR 70SH	1,00		--
0010		PVVR40099		CAP 3/8 M HRM	1,00		--
0011		PVVR40129		CAP 1/4 M RC	1,00		--
0012		GUGO01036		O-RING D. 10.82 X 1.78 NBR 70SH	1,00		--
0013	S	PVVR40122		HEAD RING D. 18 RC	3,00		--
0014	S	GUVR40035		PACKING D. 18 RC H.P.	3,00		--
0015	S	GUVR40043		ANTI-EXTR.RING D.18X28	3,00		--
0016	S	PVVR40162		INTERMED. RING D. 18 RR	3,00		--
0017	S	GUVR40036		PACKING D. 18 RC L.P.	3,00		--
0018	S	GUVR40037		ANTI-EXTR.RING D.21	3,00		--
0019	S	GUGO19290		O-RING D. 23.52 X 1.78 NBR 70SH	3,00		--
0020	S	PVVR40163		PACKING RETAIN.D. 18 RR	3,00		--
0021		VTDD00483		NUT M 8 ZIN UNI 5588	3,00		--
0022		VTRS19394		WASHER D. 8X13X0.5	3,00		--
0023	S	PIVR40007		PISTON D.18 RR	3,00		--
0024		PVVR19233		DISC XTS	3,00		--
0025	S	GUGO09690		OIL SEAL 15X 24X 5 NBR70	3,00		--
0026		MFVR40030		PUMP CRANKCASE AR RR	1,00		--
0027		PVVR19231		OIL CAP XTS	1,00		--
0028		GUGO08071		O-RING D. 4.48 X 1.78 NBR 70SH	3,00		--
0029		PVVR40176		PISTON GUIDE RR	3,00		--
0030		PVVR40178		GUDGEON D. 9 RR	3,00		--
0031		BLVR40002		CONNECTING ROD RR	3,00		--
0032		GUGO40017		O-RING D. 107.62 X 2.62 NBR 70SH	1,00		--
0033		MFVR40029		CRANKCASE COVER AR RR	1,00		--
0034		VTVT09913		SCREW TCEI 6X16 UNI5931	4,00		--
0035		GUGO01036		O-RING D. 10.82 X 1.78 NBR 70SH	1,00		--
0036		PVVR40129		CAP 1/4 M RC	1,00		--
0037		VTVT09913		SCREW TCEI 6X16 UNI5931	4,00		--
0038		MFVR40021		CRANKCASE COVER AR RC LT.	1,00		--
0040		PVVR40179		OIL INDICATOR RR	1,00		--



Ref.	K	Part N.	Customer Part N.	Description	Qty	Validity:		Price
						From	To	
0041		PVVR40125		DISC RC	1,00			--
0042		GUGO09030		O-RING 56X82 X2.62 - NBR	1,00			--
0043		VTAE10405		CIRCLIP D. 62 UNI 7437	1,00			--
0044		CUVR09654		BALL BEARING 6305	1,00			--
0048		ALMO40012		SHAFT AR RR 15LT VRS. N	1,00			--
0049		VTVR41531		KEY 8X 7X35 UNI 6604A	1,00			--
0050		CUVR09654		BALL BEARING 6305	1,00			--
0051		VTAE10405		CIRCLIP D. 62 UNI 7437	1,00			--
0052	S	GUGO40018		OIL SEAL 25X 62X 8 NBR70	1,00			--
0053	S	GUGO02259		O-RING D. 15.54 X 2.62 NBR 70SH	6,00			--
0054		GUVR40044		ANTI-EXTR.RING D. 5 X 8 X1	3,00			--

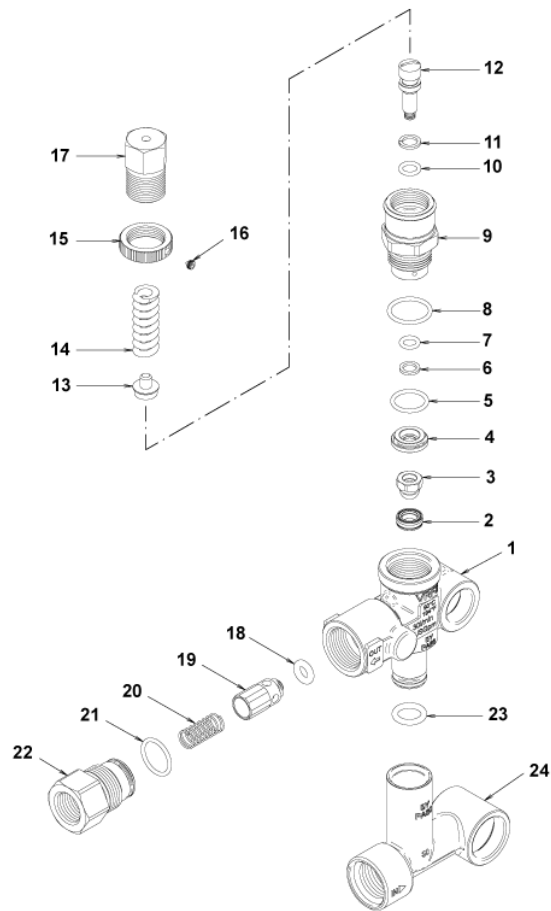


Ref. Part N.	Cust. Part N.	Description	Reference	Price
KTRI40095	KIT P	15-42903 D.18 RC	0013	--
KTRI40142	KIT P	15-42909 RR	0003 0053	--
KTRI40143	KIT P	15-42904 D.18 RR	0023	--
KTRI40144	KIT P	15-42922 RR	0025 0052	--
KTRI40145	KIT P	15-42924 D.18 RR	0014 0015 0017 0018 0019	--
KTRI40146	KIT P	15-42923 D.18 RR	0016 0020	--



Ref.	K	Part N.	Customer Part N.	Description	Qty	Validity: From To	Price
0001		PVVR40362		VALVE BODY VRF2	1,00		--
0002	S	PVVR40363		VALVE SEAT MV124 +OR	1,00		--
0003	S	PVVR40364		COUPLING MV124	1,00		--
0004	S	PVVR40365		SPACER MV124	1,00		--
0005	S	GUGO12322		O-RING D. 14 X 1.78 NBR 90SH	1,00		--
0006	S	GUVR40072		ANTI-EXTR.RING D. 6.5X 9.4	1,00		--
0007	S	GUGO83861		O-RING D. 6.07 X 1.78 NBR 90SH	1,00		--
0008	S	GUGO24913		O-RING D. 17.17 X 1.78 NBR 90SH	1,00		--
0009	S	PVVR40366		CONNECTOR VRF2 D.10	1,00		--
0010	S	GUGO03500		O-RING D. 6.75 X 1.78 NBR 70SH	1,00		--
0011	S	GUVR40073		ANTI-EXTR.RING D. 7.1X10 X1.2 TBT	1,00		--
0012	S	PVVR40367		SMALL PISTON D.10 VRF2	1,00		--
0013		PVVR40368		SPRING PLATE MV124 25B	1,00		--
0014		MLML40027		SPRING D. 3.0/6.0 X38.85	1,00		--
0015		PVVR40369		RING NUT MV167.09	1,00		--
0016		VTVT89696		SCREW EI-ST 4X 4 UNI5927 ZC	1,00		--
0017		PVVR40370		CAP VRF2 M18X1	1,00		--
0018	S	GUGO46053		O-RING D. 6 X 3 NBR 90SH	1,00		--
0019	S	PVVR40349		COUPLING VRT3	1,00		--
0020	S	MLML40026		SPRING VRT3	1,00		--
0021	S	GUGO12321		O-RING D. 15.6 X 1.78 NBR 90SH	1,00		--
0022		PVVR40350		CONNECTOR VRT3 G 3/8F	1,00		--
0023		GUGO11225		O-RING D. 10.78 X 2.62 NBR 70SH	1,00		--
0024		PVVR40373		CONNECTOR VRF2.24	1,00		--





Ref. Part N.	Cust. Part N.	Description	Reference	Price
KTRI40236	KIT P	14-103 VRF2	0002 0003 0004 0005 0006 0007 0008 0009 0010 0011 0012 0018 0019 0020	
			0021	--
KTRI40237	KIT P	14-104 SEAL VRF2	0002 0003 0005 0006 0007 0008 0010 0011 0018 0021	--