



**IPC Integrated Professional Cleaning**

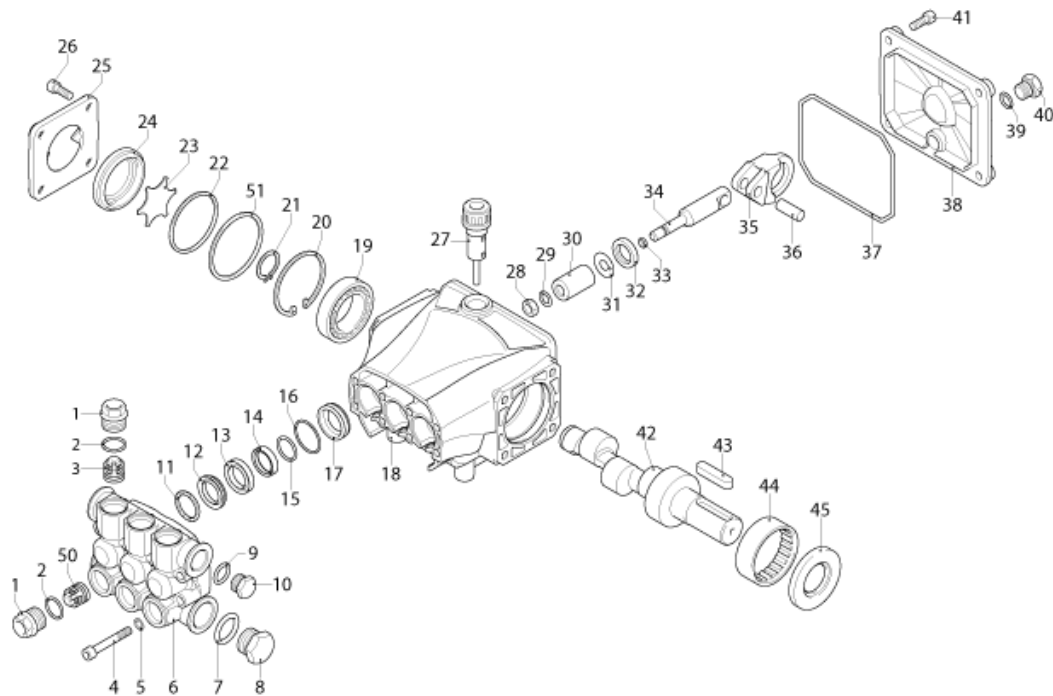
**IPC** Portotecnica

## Spare Parts List

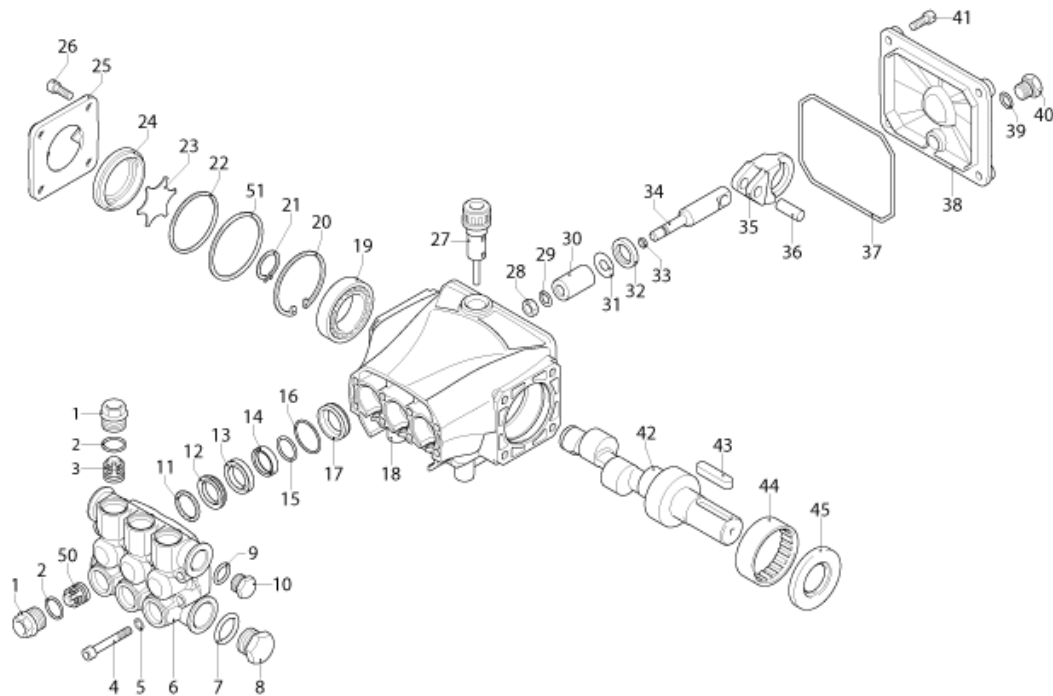
IPF ENGINEERING LTD

Ref: PPEL40053

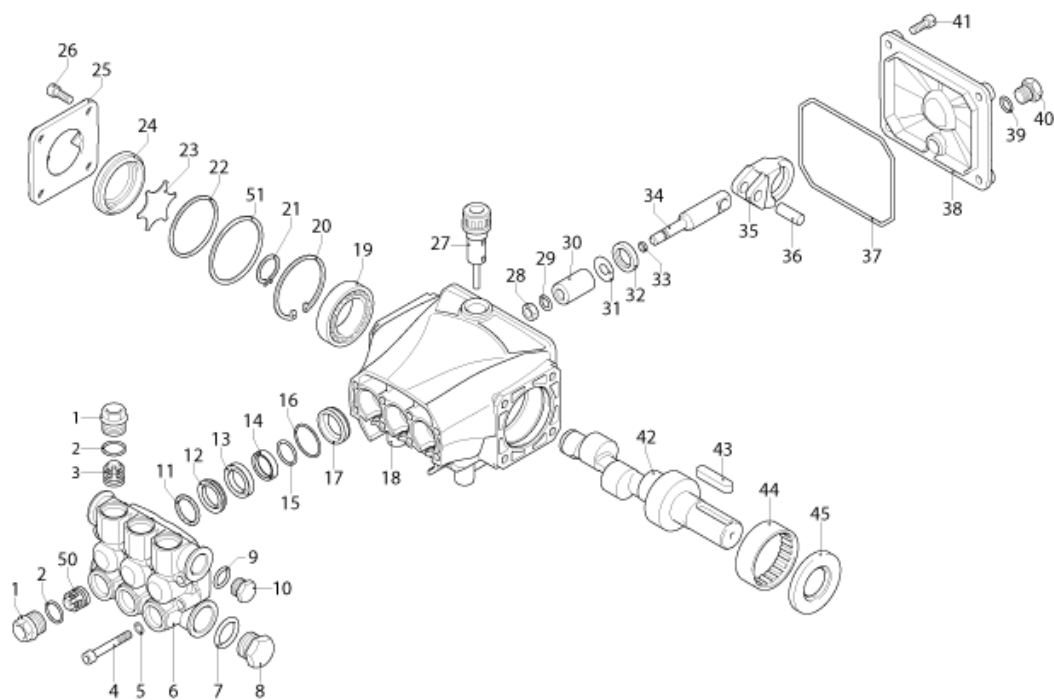
Model: IDROP MLC-C D 1915P T 400/50 4-08IPC



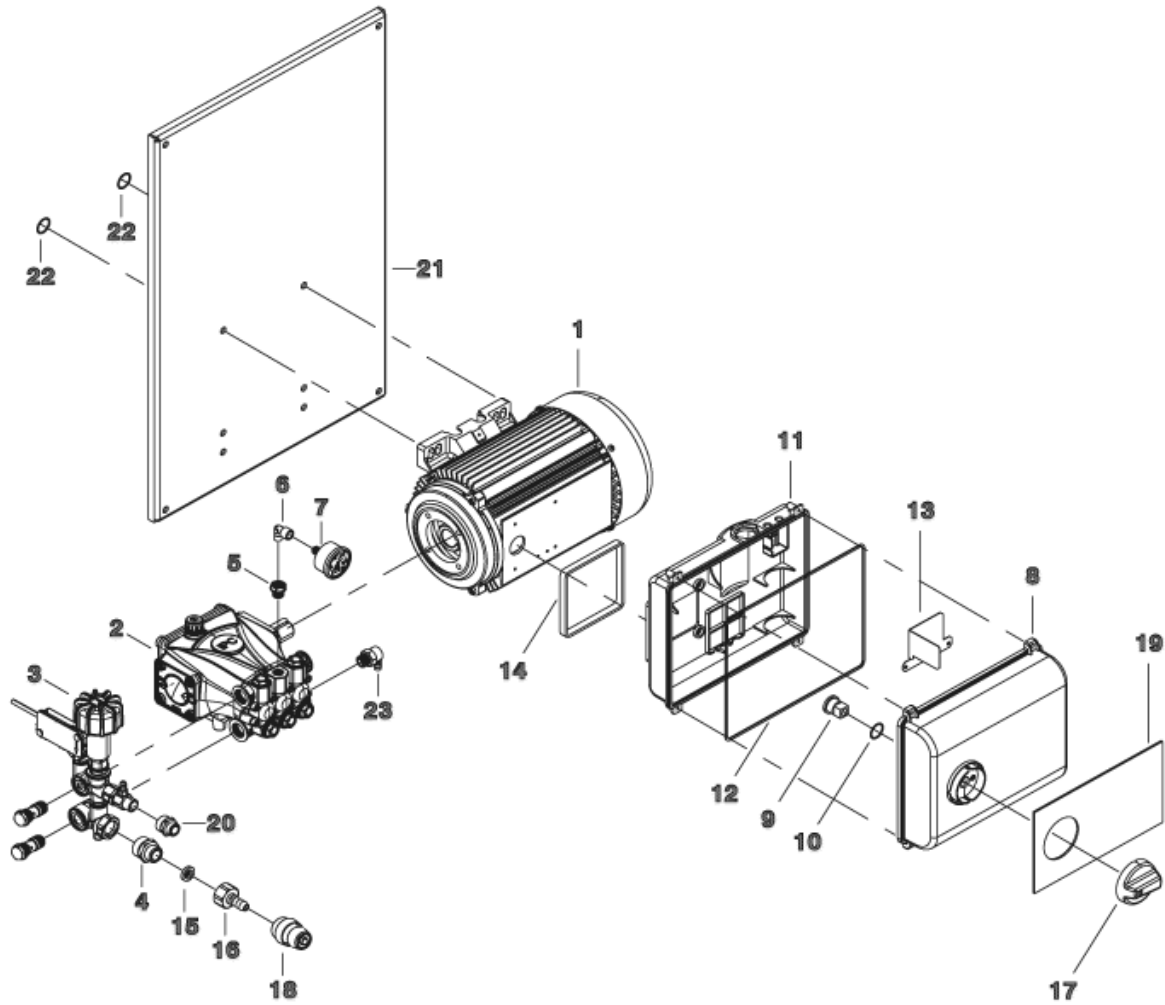
Ref.	K	Part N.	Customer Part N.	Description	Qty	Validity:		Price
						From	To	
0001		PVVR40120		CAP AR RC	6,00			--
0002		GUGO03505		O-RING D. 15.6 X 1.78 NBR 70SH	6,00			--
0003	S	VVAM40002		VALVE UNIT RC	3,00	08/2012		--
0003	S	VVAM40002		VALVE UNIT RC	6,00		07/2012	--
0004		VTVT06236		SCREW TCEI 6X40 UNI5931	8,00			--
0005		VTRS00503		WASHER D. 6 TE UNI 6798	8,00			--
0006		MFVR40019		HEAD AR RC OT.	1,00			--
0007		GUGO19245		O-RING D. 17.5 X 2 NBR 70SH	1,00			--
0008		PVVR40121		CAP 1/2 M RC	1,00			--
0009		GUGO09720		O-RING D. 14 X 1.78 NBR 70SH	1,00			--
0010		PVVR40099		CAP 3/8 M HRM	1,00			--
0011	S	PVVR40122		HEAD RING D. 18 RC	3,00			--
0012	S	GUVR40035		PACKING D. 18 RC H.P.	3,00			--
0013		PVVR40123		INTERMED. RING D. 18 RC	3,00			--
0014	S	GUVR40036		PACKING D. 18 RC L.P.	3,00			--
0015	S	GUVR40037		ANTI-EXTR.RING D.21	3,00			--
0016	S	GUGO08182		O-RING D. 21.91 X 1.78 NBR 70SH	3,00	04/2014		--
0016	S	GUGO19290		O-RING D. 23.52 X 1.78 NBR 70SH	3,00		03/2014	--
0017		PVVR40124		PACKING RETAIN.D. 18 RC	3,00			--
0018		MFVR40020		PUMP CRANKCASE AR RC	1,00		03/2014	--
0018		MFVR40027		PUMP CRANKCASE AR RCS	1,00	04/2014		--
0019		CUVR28336		BALL BEARING 6304	1,00			--
0020		VTAE09661		CIRCLIP D. 52 UNI 7437	1,00			--
0021		VTAE06193		CIRCLIP D. 20 UNI 7435	1,00			--
0022		GUGO02561		O-RING D. 47.3 X 2.62 NBR 70SH	1,00			--
0023		PVVR40125		DISC RC	1,00			--
0024		PVVR40126		OIL INDICATOR RC	1,00			--
0025		MFVR40021		CRANKCASE COVER AR RC LT.	1,00			--
0026		VTVT01531		SCREW TE 6X 16 UNI 5739	4,00			--
0027		PVVR19231		OIL CAP XTS	1,00		03/2014	--
0027		PVVR40436		OIL CAP RC	1,00	04/2014		--
0028		VTDD00483		NUT M 8 ZIN UNI 5588	3,00			--
0029		VTRS19394		WASHER D. 8X13X0.5	3,00			--
0030	S	PIVR40005		PISTON D.18X30 RC	3,00			--
0031		PVVR19233		DISC XTS	3,00			--
0032	S	GUGO09690		OIL SEAL 15X 24X 5 NBR70	3,00			--
0033		GUGO08071		O-RING D. 4.48 X 1.78 NBR 70SH	3,00			--
0034		PVVR40127		PISTON GUIDE RC	3,00			--
0035		BLVR40001		CONNECTING ROD RC	3,00			--



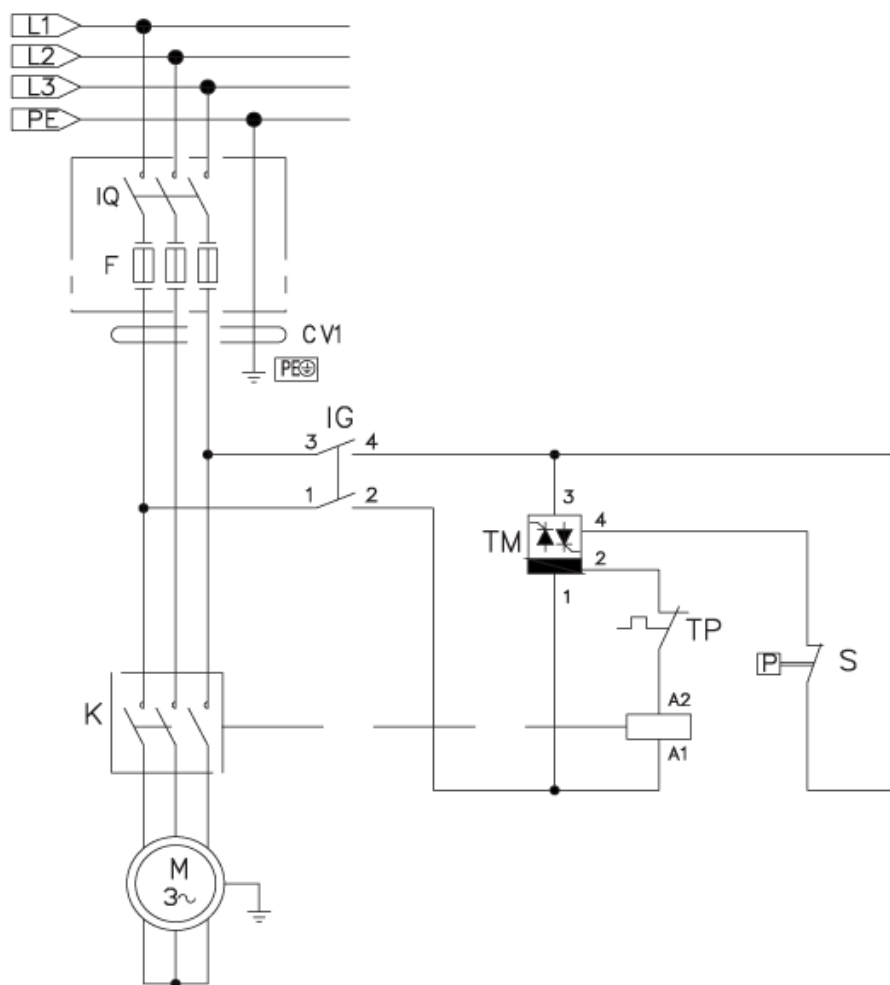
Ref.	K	Part N.	Customer Part N.	Description	Qty	Validity:		Price
						From	To	
0036		PVVR40128		GUDGEON D. 9X23 RC	3,00			--
0037		GUGO18695		O-RING D. 101.27 X 2.62 NBR 70SH	1,00			--
0038		MFVR40022		CRANKCASE COVER AR RC	1,00			--
0039		GUGO01036		O-RING D. 10.82 X 1.78 NBR 70SH	1,00			--
0040		PVVR40129		CAP 1/4 M RC	1,00			--
0041		VTVT09913		SCREW TCEI 6X16 UNI5931	4,00			--
0042		ALMO40006		SHAFT AR RC 14LT VRS. N	1,00			--
0043		VTVR41531		KEY 8X 7X35 UNI 6604A	1,00			--
0044		CUVR23636		ROLLER BEARING HK 4516	1,00			--
0045	S	GUGO00999		OIL SEAL 25X 52X 7 NBR70	1,00			--
0050	S	VVAM40007		VALVE UNIT RC ASP. BK	3,00	08/2012		--
0051		PVVR40437		RING D. 51.8 X0.5	1,00	04/2014		--



Ref. Part N.	Cust. Part N.	Description	Reference	Price
KTRI40092		KIT P 15-2186 RC	0003	--
KTRI40093		KIT P 15-42917 RC	0030	--
KTRI40094		KIT P 15-42919 D.18 RC	0012 0014 0015 0016	--
KTRI40095		KIT P 15-42903 D.18 RC	0011	--
KTRI40096		KIT P 15-42918 RC	0032 0045	--
KTRI40207		KIT P 15-42914 RC 3+3 BL./WH.	0003 0050	--



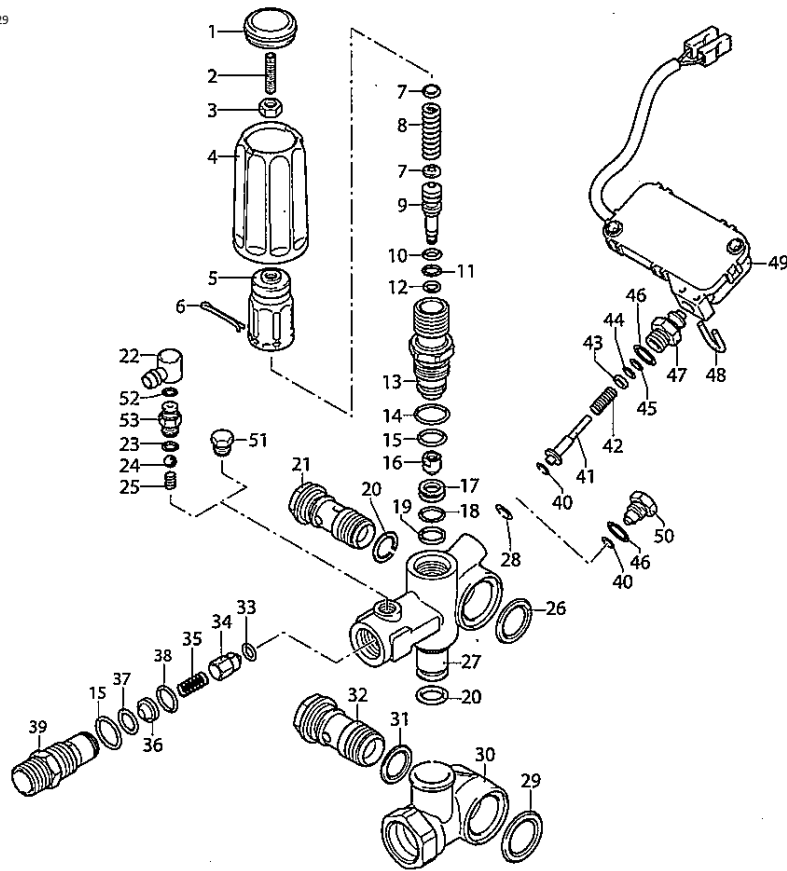
Ref. K	Part N.	Customer Part N.	Description	Qty	Validity:		Price
					From	To	
0001	MOTR40034		3PH MOTOR C40/AC HP 6.0 2/4-50 4P R	1,00			--
0002	PPAP40039		PUMP RC 14.16 DX N	1,00			--
0003	VVAZ40066		VALVE VRZ-RC +TSS L.90 SI	1,00			--
0004	RCDS87610		NIPPLE 3/4 - 1/2 CB D.13.0	1,00			--
0005	PVVR40183		CAP AR RC C/F. 1/8F+OR	1,00			--
0006	RCVR34780		ELBOW 1/8" M/F A10	1,00			--
0007	MNMN93800		PRESSURE GAUGE 1/8 POST. 0-300 D.40 S/ST	1,00			--
0008	MPVR40335		BOX COVER PW-C40 ABS BK.	1,00			--
0009	MPVR23482		TAIL PIECE TEC. TUV	1,00			--
0010	GUGO25527		O-RING D. 14 X3 NBR 70SH	1,00			--
0011	MPVR40334		CONTROL BOX PW-C4/50 ABS BK.	1,00			--
0012	GUGO33675		JOINT MOUSSE D. 4	0,90			--
0013	LAFN40458		SUPPORT PW-C40 INX	1,00			--
0014	GUGO10881		GASKET M.E.L. 73X73	1,00			--
0015	FTDT12702		FILTER PA	1,00			--
0016	RCVR29600		SOCKET PTC 3/4 F	1,00			--
0017	MPVR49057		BLACK KNOB P176-M.RACE PA6	1,00			--
0018	RCVR29602		CONNECTOR D. 1/2"-5/8" PTC	1,00			--
0019	ETET40714		LABEL GR. MPU-C IPC	1,00			--
0020	RCIN03753		MALE COUPLING M22-3/8 M-FA	1,00			--
0021	LAFN40673		SUPPORT BRACKETMPU-C AL.	1,00			--
0022	MPVR37393		RUBBER D. 10-30 L=13 70SH PRM	4,00			--
0023	VVSC40550		VALVE 1/2" 56°C	1,00			--
9999	UGLN49987		NOZZLE LECH 1/4 15045	1,00			--



Ref.	K	Part N.	Customer Part N.	Description	Qty	Validity:		Price
						From	To	
K		METT40013		CONTACTOR SIE 3RT 2017-1AV01 400V	1,00	10/2014		--
IG		MECI40020		SWITCH BRM BP. 0-1 12A	1,00	10/2014		--
TM		METY37439		TIMER THV/1S 380-415V 30S.5/60	1,00			--
CV1		MECB40002		CABLE H07 RNF 4X1.5 L=6.500	1,00			--

# VRZ TSS + ID

KIT F = pos. 10 11 14 15 18 19 20 23 28 29  
31 33 37 38 40 44 45 46

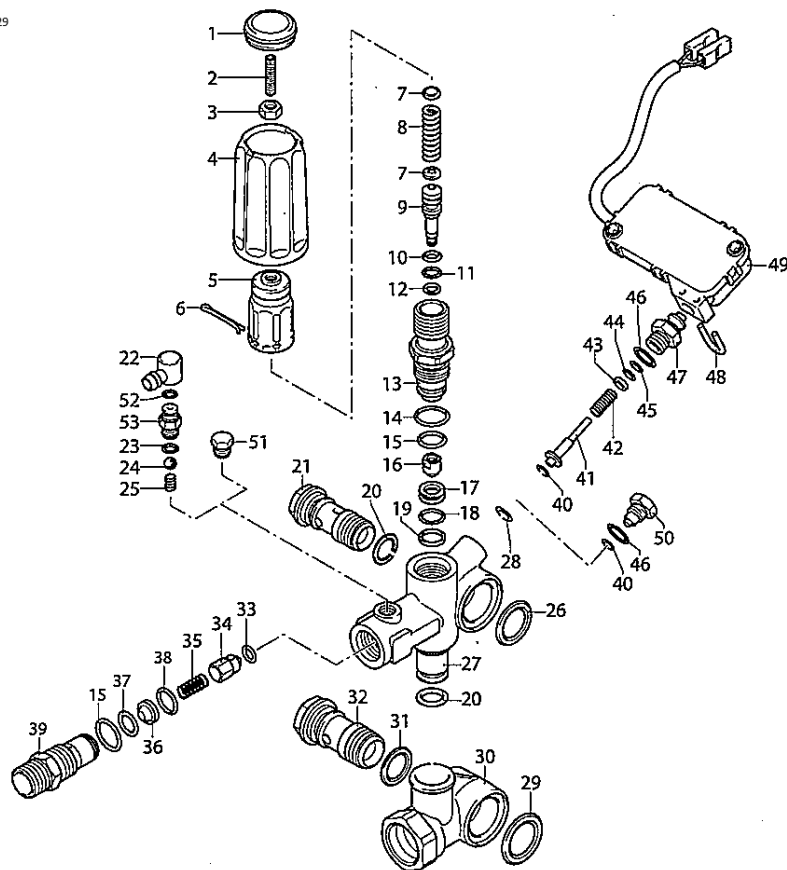


UN\_00\_4104-FR

Ref.	K	Part N.	Customer Part N.	Description	Qty	Validity: From To	Price
0001		PVVR40241		CAP VRC-BM	1,00		--
0002		VTVT40051		SCREW STEI M 6X25	1,00		--
0003		PVVR40292		NUT AR	1,00		--
0004		PVVR40418		KNOB VRZ	1,00		--
0005		PVVR40236		KNOB M.MT/4B	1,00		--
0006		VTVR40025		SPLIT PIN D. 2,6X15	1,00		--
0007		PVVR40067		SPRING PLATE AR XJS	2,00		--
0008		PVVR40419		SPRING VALVOLA VRZ	1,00		--
0009		PVVR40420		PISTON VRC-BM	1,00		--
0010	S	GUGO40046		O-RING D. 6.02 X 2.62 NBR 90SH	1,00		--
0011	S	GUGO12489		O-RING D. 6.07 X 1.78 NBR 70SH	1,00		--
0012		GUVR40072		ANTI-EXTR.RING D. 6.5X 9.4	1,00		--
0013		PVVR40421		PISTON GUIDE VRZ	1,00		--
0014	S	GUGO03505		O-RING D. 15.6 X 1.78 NBR 70SH	1,00		--
0015	S	GUGO11652		O-RING D. 12.42 X 1.78 NBR 70SH	2,00		--
0016		PVVR40423		COUPLING AR VRZ	1,00		--
0017		PVVR40424		VALVE SEAT AR VRZ	1,00		--
0018	S	GUGO19194		O-RING D. 11.11 X 1.78 NBR 70SH	1,00		--
0019	S	GUVR40085		ANTI-EXTR.RING D. 14 X11,8X1	1,00		--
0020	S	GUGO01047		O-RING D. 11.91 X 2.62 NBR 70SH	2,00		--
0021		RCDS40068		SCREW G 3/8 M.MATIC 4/B OT.	1,00		--
0026		GUGO40057		O-RING D. 20.29 X 2.62-NBR 70SH	1,00		--
0027		PVVR40427		VALVE BODY VRZ	1,00		--
0028	S	GUGO40031		O-RING D. 3.39 X 1.78 NBR 70SH	1,00		--
0029	S	GUGO76542		O-RING D. 23.47 X 2.62 NBR 70SH	1,00		--
0030		PVVR40428		BODY VALVOLA VRZ	1,00		--
0031	S	GUGO01058		O-RING D. 17.17 X 1.78 NBR 70SH	1,00		--
0032		RCDS40070		SCREW G 1/2 M.MATIC 4/B	1,00		--
0033	S	GUGO12494		O-RING D. 4 X 2.5 -NBR 70SH	1,00		--
0034		PVVR40422		COUPLING AR VRZ	1,00		--
0035		PVVR40252		SPRING VRC-BM	1,00		--
0039		RCDS40192		NIPPLE G 3/8 VRZ	1,00		--
0040	S	GUVR40084		ANTI-EXTR.RING PARBAK 8-007	1,00		--
0041		PVVR40425		CONTROL ROD AR TSS VRZ	1,00		--
0042		PVVR40429		SPRING VALVOLA VRZ	1,00		--
0043		PVVR40430		WASHER VALVOLA VRZ	1,00		--
0044	S	GUGO19207		O-RING D. 1.78 X 1.78 NBR 70SH	1,00		--
0045	S	GUVR40086		ANTI-EXTR.RING D. 4,9X 2 X1,3	1,00		--
0046	S	GUGO06988		O-RING D. 7.66 X 1.78 NBR 70SH	1,00		--

# VRZ TSS + ID

KIT F = pos. 10 11 14 15 18 19 20 23 28 29  
31 33 37 38 40 44 45 46



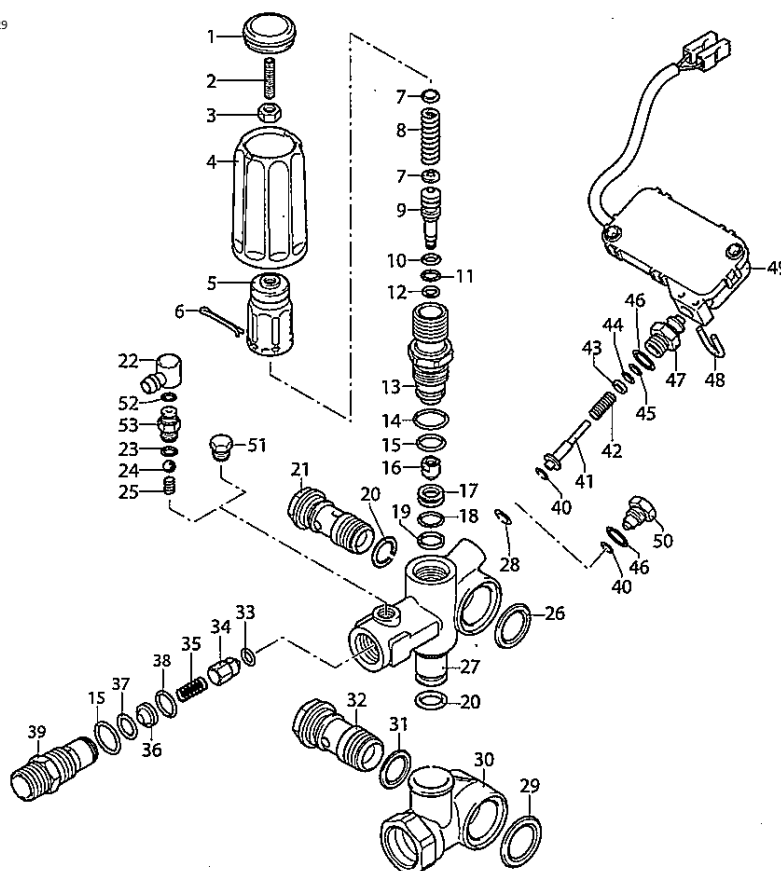
UN\_00\_4104-FR

Ref.	K	Part N.	Customer Part N.	Description	Qty	Validity:		Price
						From	To	
0047		PVVR40431		CONNECTOR VALVOLA VRZ	1,00			--
0048		LAFN40212		PLUG "U" AR TSS	1,00			--
0049		PVVR40433		PRESSURE SWITCH TTS VRZ marc. AB	1,00			--
0051		RCDS19214		CAP 1/8 M	1,00			--



# VRZ TSS + ID

KIT F = pos. 10 11 14 15 18 19 20 23 28 29  
31 33 37 38 40 44 45 46



UN\_00\_4104-FR

Ref. Part N.	Cust. Part N.	Description	Reference	Price
F	KTRI40293	KIT P SET O-RING VALVOLA VRZ	0010 0011 0014 0015 0018 0019 0020 0023 0028 0029 0031 0033 0037 0038 0040 0044 0045 0046	--