



**IPC Integrated Professional Cleaning**

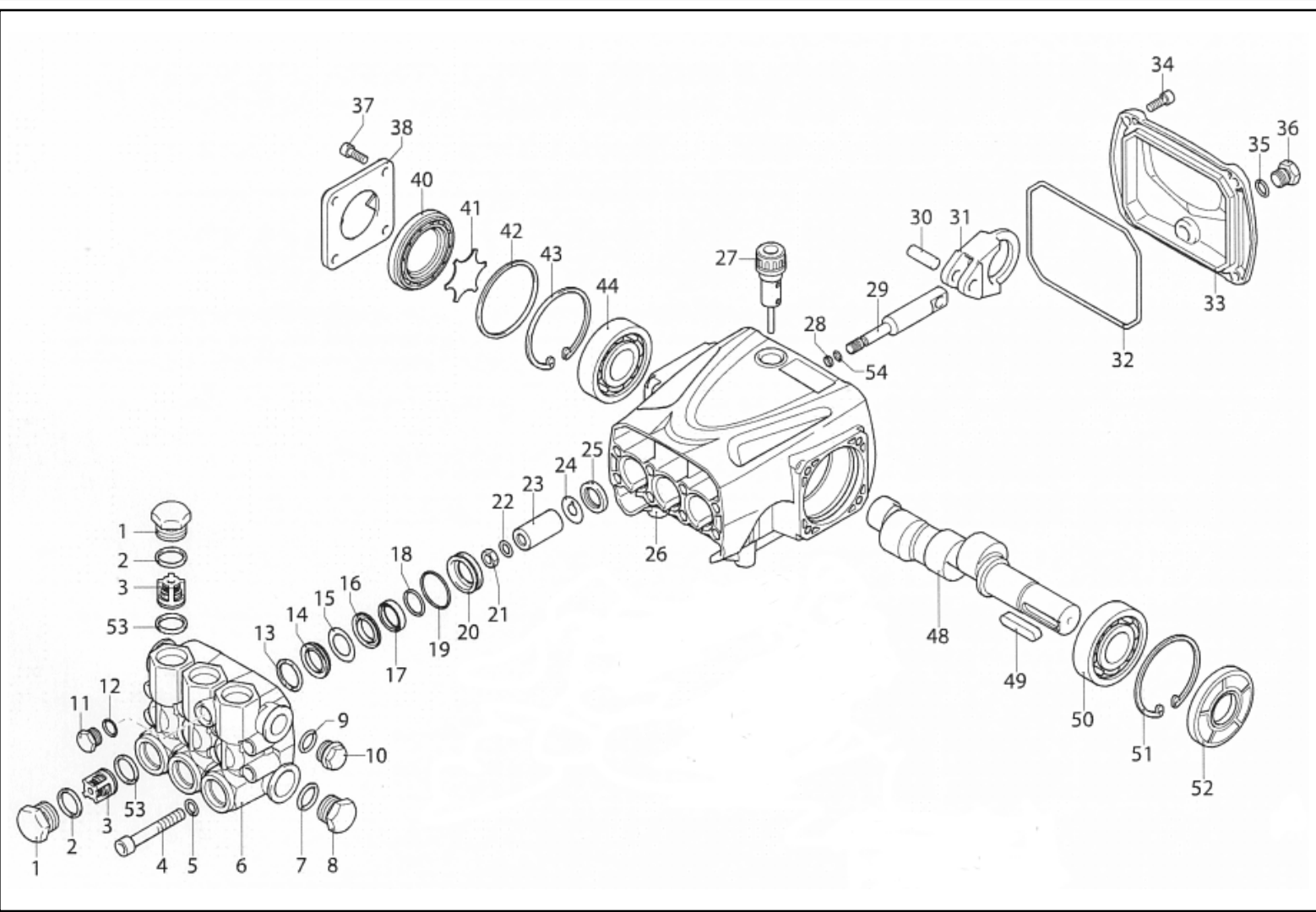
**IPC** Portotecnica

## Spare Parts List

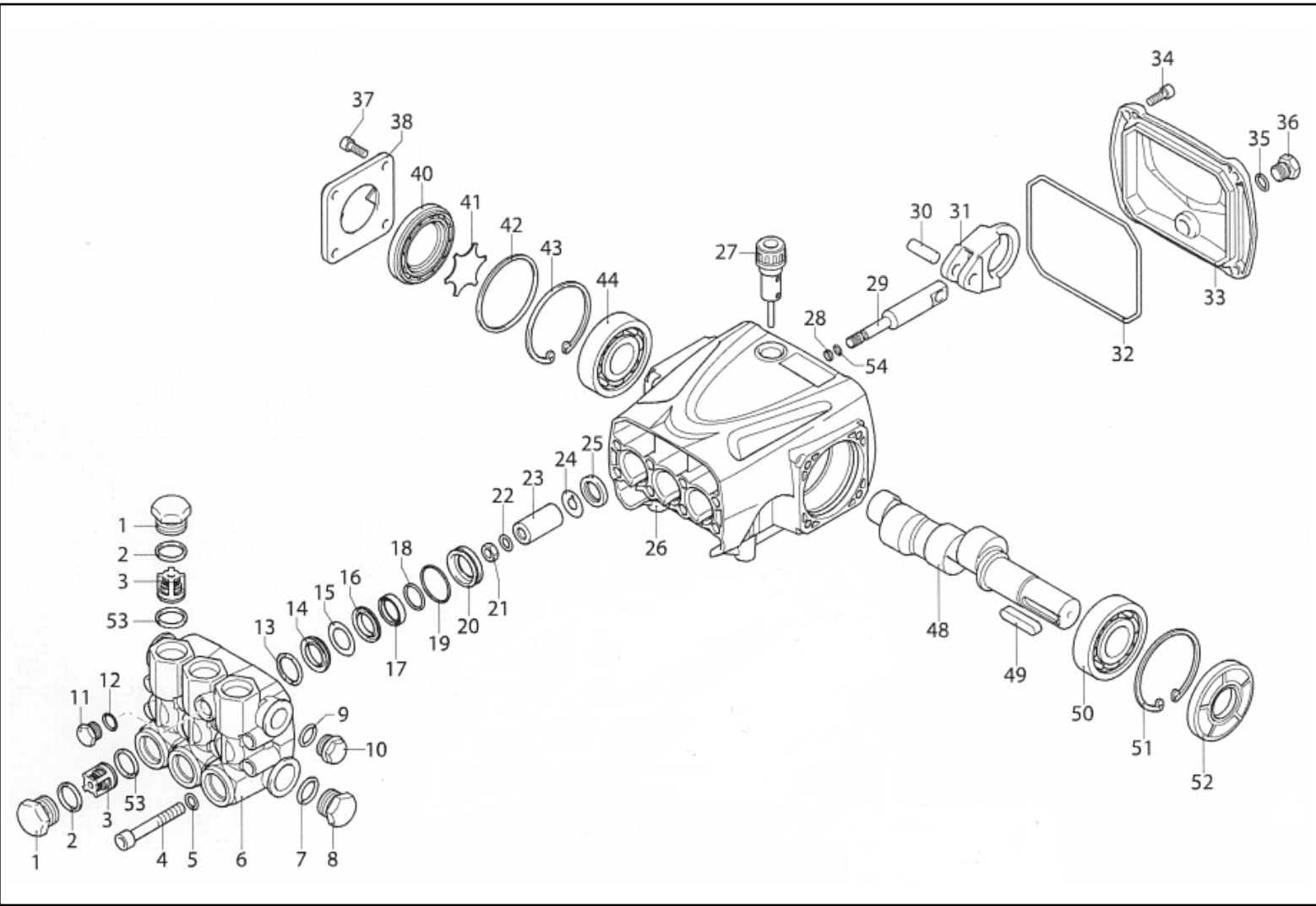
IPF ENGINEERING LTD

Ref: PPEL40055

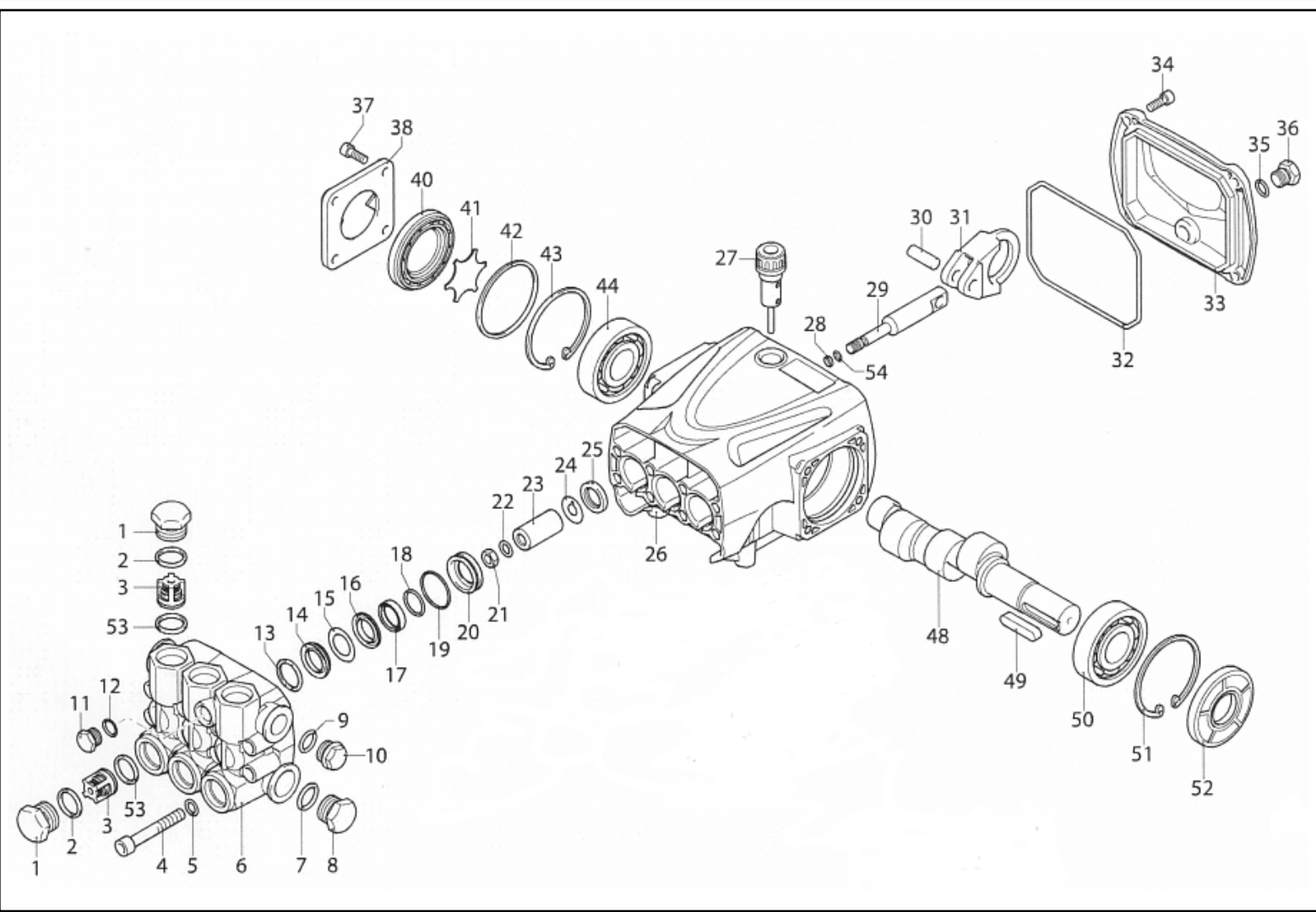
Model: IDROP MLC-C D 2117P T 400/50 4-08IPC



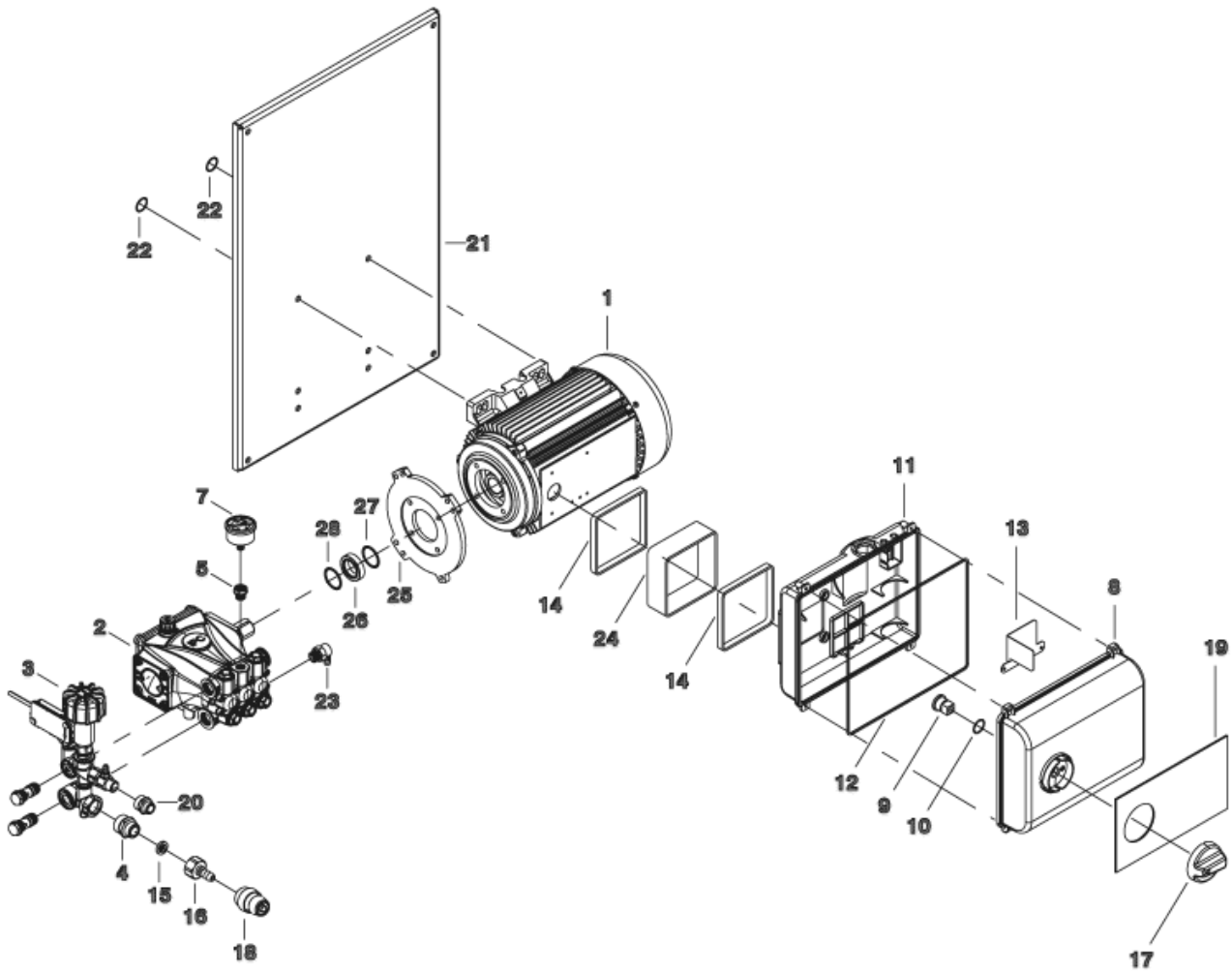
Ref.	K	Part N.	Customer Part N.	Description	Qty	Validity: From To	Price
0001		PVVR40161		CAP AR RR	6,00		--
0002		GUGO03502		O-RING D. 17.86 X 2.62 NBR 70SH	6,00		--
0003	S	VVAM40003		VALVE UNIT RR	6,00		--
0004		VTVT63018		SCREW TCEI M 8X55 ZC U.5931	8,00		--
0005		VTRS00504		WASHER D. 8 TE ZC. UNI 6592	8,00		--
0006		MFVR40028		HEAD AR RR OT.	1,00		--
0007		GUGO19245		O-RING D. 17.5 X 2 NBR 70SH	1,00		--
0008		PVVR40121		CAP 1/2 M RC	1,00		--
0009		GUGO09720		O-RING D. 14 X 1.78 NBR 70SH	1,00		--
0010		PVVR40099		CAP 3/8 M HRM	1,00		--
0011		PVVR40129		CAP 1/4 M RC	1,00		--
0012		GUGO01036		O-RING D. 10.82 X 1.78 NBR 70SH	1,00		--
0013	S	PVVR40122		HEAD RING D. 18 RC	3,00		--
0014	S	GUVR40035		PACKING D. 18 RC H.P.	3,00		--
0015	S	GUVR40043		ANTI-EXTR.RING D.18X28	3,00		--
0016	S	PVVR40162		INTERMED. RING D. 18 RR	3,00		--
0017	S	GUVR40036		PACKING D. 18 RC L.P.	3,00		--
0018	S	GUVR40037		ANTI-EXTR.RING D.21	3,00		--
0019	S	GUGO19290		O-RING D. 23.52 X 1.78 NBR 70SH	3,00		--
0020	S	PVVR40163		PACKING RETAIN.D. 18 RR	3,00		--
0021		VTDD00483		NUT M 8 ZIN UNI 5588	3,00		--
0022		VTRS19394		WASHER D. 8X13X0.5	3,00		--
0023	S	PIVR40007		PISTON D.18 RR	3,00		--
0024		PVVR19233		DISC XTS	3,00		--
0025	S	GUGO09690		OIL SEAL 15X 24X 5 NBR70	3,00		--
0026		MFVR40030		PUMP CRANKCASE AR RR	1,00		--
0027		PVVR19231		OIL CAP XTS	1,00		--
0028		GUGO08071		O-RING D. 4.48 X 1.78 NBR 70SH	3,00		--
0029		PVVR40176		PISTON GUIDE RR	3,00		--
0030		PVVR40178		GUIDGEON D. 9 RR	3,00		--
0031		BLVR40002		CONNECTING ROD RR	3,00		--
0032		GUGO40017		O-RING D. 107.62 X 2.62 NBR 70SH	1,00		--
0033		MFVR40029		CRANKCASE COVER AR RR	1,00		--
0034		VTVT09913		SCREW TCEI 6X16 UNI5931	4,00		--
0035		GUGO01036		O-RING D. 10.82 X 1.78 NBR 70SH	1,00		--
0036		PVVR40129		CAP 1/4 M RC	1,00		--
0037		VTVT09913		SCREW TCEI 6X16 UNI5931	4,00		--
0038		MFVR40021		CRANKCASE COVER AR RC LT.	1,00		--
0040		PVVR40179		OIL INDICATOR RR	1,00		--



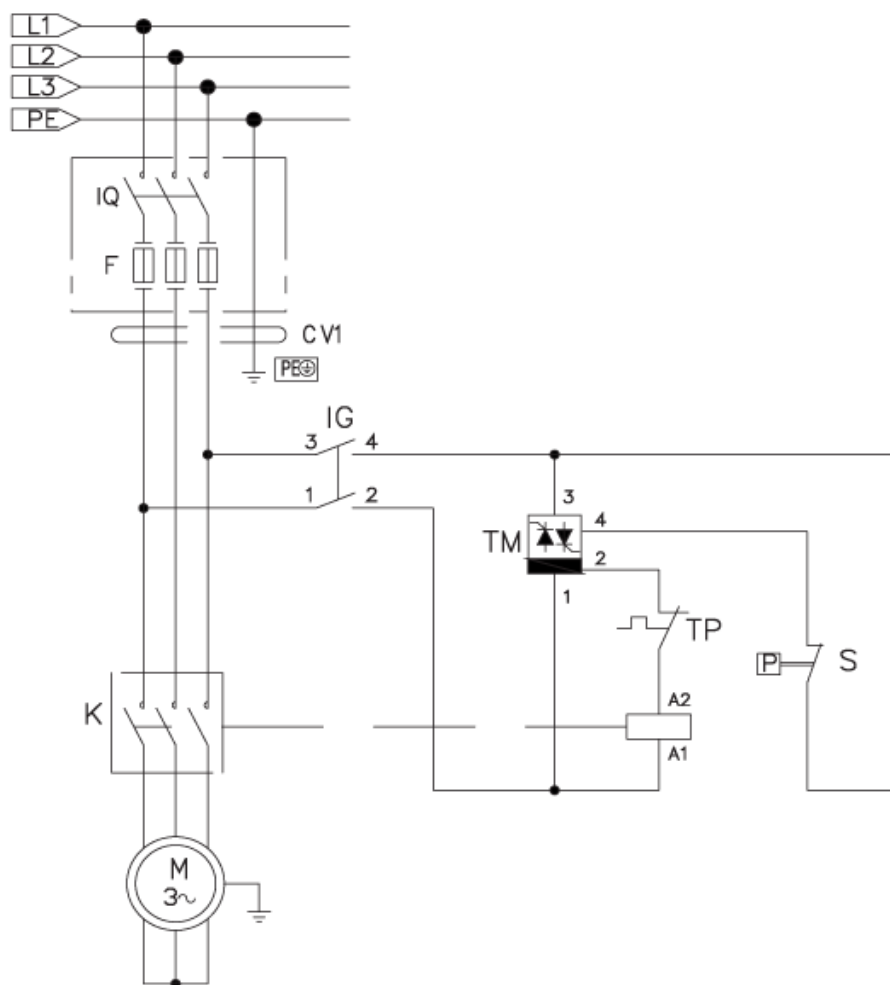
Ref.	K	Part N.	Customer Part N.	Description	Qty	Validity:		Price
						From	To	
0041		PVVR40125		DISC RC	1,00			--
0042		GUGO09030		O-RING 56X82 X2.62 - NBR	1,00			--
0043		VTAE10405		CIRCLIP D. 62 UNI 7437	1,00			--
0044		CUVR09654		BALL BEARING 6305	1,00			--
0048		ALMO40012		SHAFT AR RR 15LT VRS. N	1,00			--
0049		VTVR41531		KEY 8X 7X35 UNI 6604A	1,00			--
0050		CUVR09654		BALL BEARING 6305	1,00			--
0051		VTAE10405		CIRCLIP D. 62 UNI 7437	1,00			--
0052	S	GUGO40018		OIL SEAL 25X 62X 8 NBR70	1,00			--
0053	S	GUGO02259		O-RING D. 15.54 X 2.62 NBR 70SH	6,00			--
0054		GUVR40044		ANTI-EXTR.RING D. 5 X 8 X1	3,00			--



Ref. Part N.	Cust. Part N.	Description	Reference	Price
KTRI40095	KIT P	15-42903 D.18 RC	0013	--
KTRI40142	KIT P	15-42909 RR	0003 0053	--
KTRI40143	KIT P	15-42904 D.18 RR	0023	--
KTRI40144	KIT P	15-42922 RR	0025 0052	--
KTRI40145	KIT P	15-42924 D.18 RR	0014 0015 0017 0018 0019	--
KTRI40146	KIT P	15-42923 D.18 RR	0016 0020	--



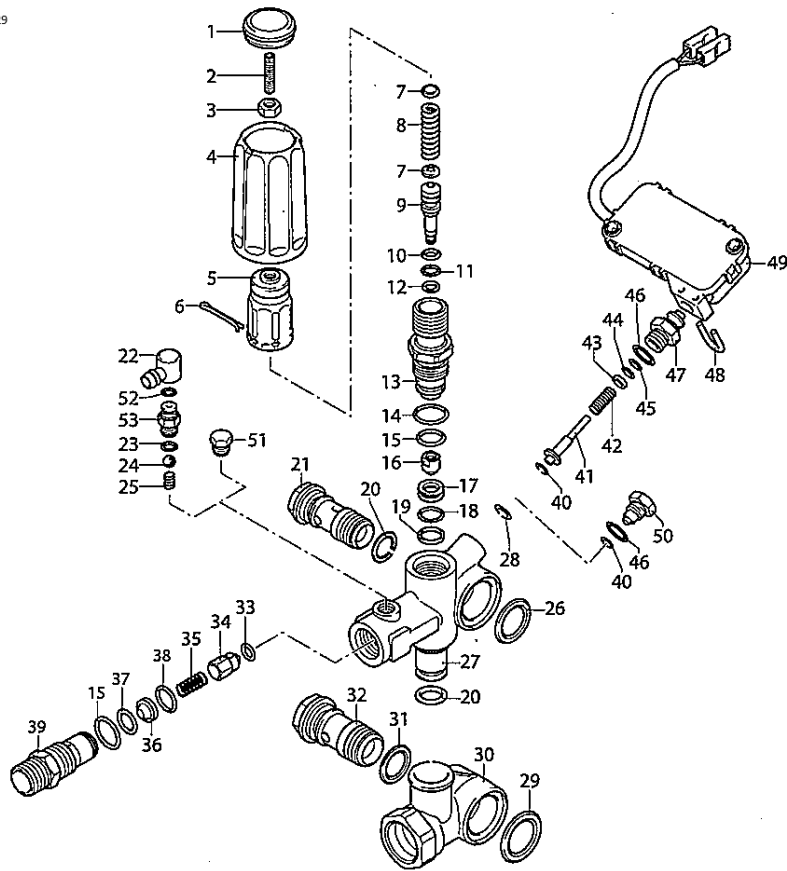
Ref.	K	Part N.	Customer Part N.	Description	Qty	Validity:		Price
						From	To	
0001		MOTR40030		3PH MOTOR C50 HP7.5 23-400/50C RR/K	1,00			--
0002		PPAP40058		PUMP RR 15.20 DX N	1,00			--
0003		VVAZ40066		VALVE VRZ-RC +TSS L.90 SI	1,00			--
0004		RCDS87610		NIPPLE 3/4 - 1/2 CB D.13.0	1,00			--
0005		RCVR00644		REDUCTION 1/4-1/8 M/F	1,00			--
0007		MNMN18650		PRESSURE GAUGE 0-300 D.40	1,00			--
0008		MPVR40335		BOX COVER PW-C40 ABS BK.	1,00			--
0009		MPVR23482		TAIL PIECE TEC. TUV	1,00			--
0010		GUGO25527		O-RING D. 14 X 3 NBR 70SH	1,00			--
0011		MPVR40334		CONTROL BOX PW-C4/50 ABS BK.	1,00			--
0012		GUGO33675		JOINT MOUSSE D. 4	0,90			--
0013		LAFN40458		SUPPORT PW-C40 INX	1,00			--
0014		GUGO10881		GASKET M.EL. 73X73	1,00			--
0014		GUGO10881		GASKET M.EL. 73X73	1,00			--
0015		FTDT12702		FILTER PA	1,00			--
0016		RCVR29600		SOCKET PTC 3/4 F	1,00			--
0017		MPVR49057		BLACK KNOB P176-M.RACE PA6	1,00			--
0018		RCVR29602		CONNECTOR D. 1/2"-5/8" PTC	1,00			--
0019		ETET40714		LABEL GR. MPU-C IPC	1,00			--
0020		RCIN03753		MALE COUPLING M22-3/8 M-FA	1,00			--
0021		LAFN40673		SUPPORT BRACKETMPU-C AL.	1,00			--
0022		MPVR37393		RUBBER D. 10-30 L=13 70SH PRM	4,00			--
0024		MPVR40348		SPACER C50 H.22 PP	1,00			--
0025		MFVR21309		COUNTERFLANGE MEC 90-100-112	1,00			--
0026		RCDS25578		BUSHING IP WW141 OT.	1,00			--
0027		GUGO21339		O-RING D. 29.82 X 2.62 VIT 70SH	1,00			--
0028		GUGO21337		O-RING D. 25.07 X 2.62 VIT 70SH	1,00			--
9999		UGLN49987		NOZZLE LECH 1/4 15045	1,00			--



Ref.	K	Part N.	Customer Part N.	Description	Qty	Validity:		Price
						From	To	
K		METT40013		CONTACTOR SIE 3RT 2017-1AV01 400V	1,00	10/2014		--
IG		MECI40020		SWITCH BRM BP. 0-1 12A	1,00			--
TM		METY37439		TIMER THV/1S 380-415V 30S.5/60	1,00		08/2015	--
TM		METY40000		TIMER THV/1 400-5/60 30S.VM	1,00	09/2015		--
CV1		MECB89888		CABLE H07 RNF 4X2.5 L=6.500	1,00			--

# VRZ TSS + ID

KIT F = pos. 10 11 14 15 18 19 20 23 28 29  
31 33 37 38 40 44 45 46

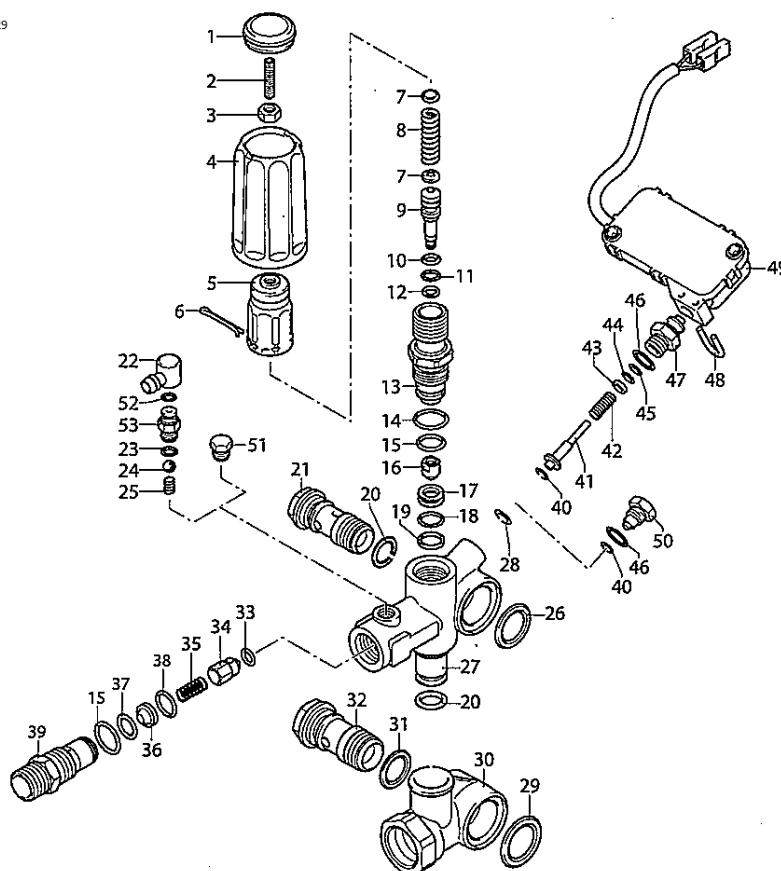


UN\_00\_4104-FR

Ref.	K	Part N.	Customer Part N.	Description	Qty	Validity: From To	Price
0001		PVVR40241		CAP VRC-BM	1,00		--
0002		VTVT40051		SCREW STEI M 6X25	1,00		--
0003		PVVR40292		NUT AR	1,00		--
0004		PVVR40418		KNOB VRZ	1,00		--
0005		PVVR40236		KNOB M.MT/4B	1,00		--
0006		VTVR40025		SPLIT PIN D. 2,6X15	1,00		--
0007		PVVR40067		SPRING PLATE AR XJS	2,00		--
0008		PVVR40419		SPRING VALVOLA VRZ	1,00		--
0009		PVVR40420		PISTON VRC-BM	1,00		--
0010	S	GUGO40046		O-RING D. 6.02 X 2.62 NBR 90SH	1,00		--
0011	S	GUGO12489		O-RING D. 6.07 X 1.78 NBR 70SH	1,00		--
0012		GUVR40072		ANTI-EXTR.RING D. 6.5X 9.4	1,00		--
0013		PVVR40421		PISTON GUIDE VRZ	1,00		--
0014	S	GUGO03505		O-RING D. 15.6 X 1.78 NBR 70SH	1,00		--
0015	S	GUGO11652		O-RING D. 12.42 X 1.78 NBR 70SH	2,00		--
0016		PVVR40423		COUPLING AR VRZ	1,00		--
0017		PVVR40424		VALVE SEAT AR VRZ	1,00		--
0018	S	GUGO19194		O-RING D. 11.11 X 1.78 NBR 70SH	1,00		--
0019	S	GUVR40085		ANTI-EXTR.RING D. 14 X11,8X1	1,00		--
0020	S	GUGO01047		O-RING D. 11.91 X 2.62 NBR 70SH	2,00		--
0021		RCDS40068		SCREW G 3/8 M.MATIC 4/B OT.	1,00		--
0026		GUGO40057		O-RING D. 20.29 X 2.62-NBR 70SH	1,00		--
0027		PVVR40427		VALVE BODY VRZ	1,00		--
0028	S	GUGO40031		O-RING D. 3.39 X 1.78 NBR 70SH	1,00		--
0029	S	GUGO76542		O-RING D. 23.47 X 2.62 NBR 70SH	1,00		--
0030		PVVR40428		BODY VALVOLA VRZ	1,00		--
0031	S	GUGO01058		O-RING D. 17.17 X 1.78 NBR 70SH	1,00		--
0032		RCDS40070		SCREW G 1/2 M.MATIC 4/B	1,00		--
0033	S	GUGO12494		O-RING D. 4 X 2.5 -NBR 70SH	1,00		--
0034		PVVR40422		COUPLING AR VRZ	1,00		--
0035		PVVR40252		SPRING VRC-BM	1,00		--
0039		RCDS40192		NIPPLE G 3/8 VRZ	1,00		--
0040	S	GUVR40084		ANTI-EXTR.RING PARBAK 8-007	1,00		01/2016
0040	S	GUVR40094		ANTI-EXTR.RING D. 4.2X 7 X1 PTFE+BZ	1,00	02/2016	--
0041		PVVR40425		CONTOL ROD AR TSS VRZ	1,00		01/2016
0041	S	PVVR40470		CONTOL ROD AR TSS VRZ.Evo	1,00	02/2016	--
0042		PVVR40429		SPRING VALVOLA VRZ	1,00		--
0043		PVVR40430		WASHER VALVOLA VRZ	1,00		--
0044	S	GUGO19207		O-RING D. 1.78 X 1.78 NBR 70SH	1,00		--

# VRZ TSS + ID

KIT F = pos. 10 11 14 15 18 19 20 23 28 29  
31 33 37 38 40 44 45 46



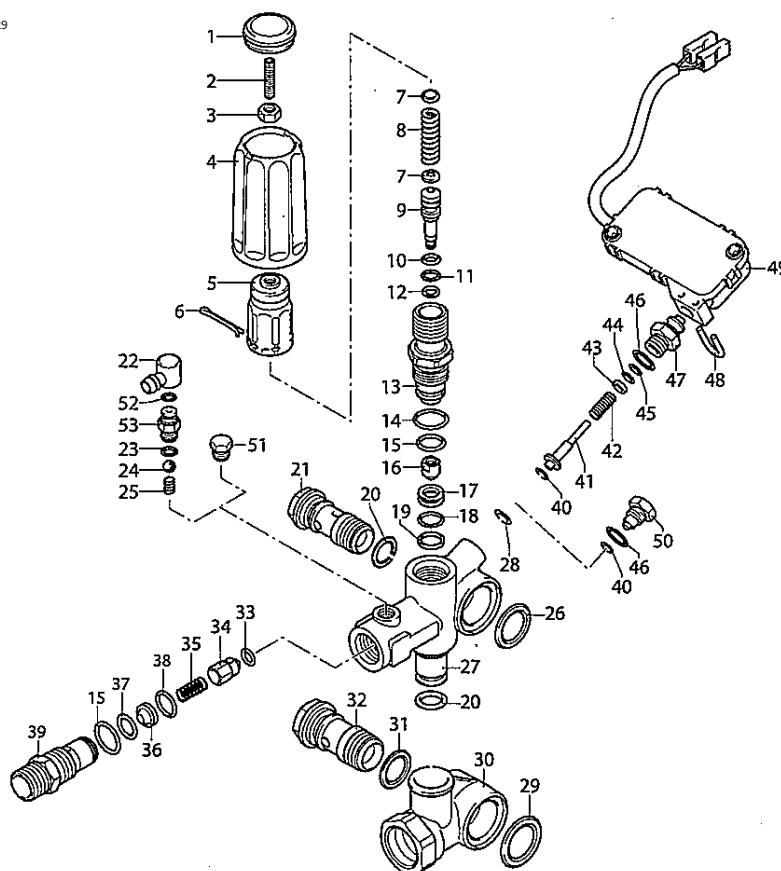
UN\_00\_4104-FR

Ref.	K	Part N.	Customer Part N.	Description	Qty	Validity:		Price
						From	To	
0045	S	GUVR40086		ANTI-EXTR.RING D. 4.9X 2 X1,3	1,00			--
0046	S	GUGO06988		O-RING D. 7.66 X 1.78 NBR 70SH	1,00			--
0047		PVVR40431		CONNECTOR VALVOLA VRZ	1,00			--
0048		LAFN40212		PLUG "U" AR TSS	1,00			--
0049		PVVR40433		PRESSURE SWITCHTTS VRZ marc. AB	1,00			--
0051		RCDS19214		CAP 1/8 M	1,00			--



# VRZ TSS + ID

KIT F = pos. 10 11 14 15 18 19 20 23 28 29  
31 33 37 38 40 44 45 46



UN\_00\_4104-FR

Ref. Part N.	Cust. Part N.	Description	Reference	Price
KTRI40394	KIT P	14-43234 VRZ.Evo	0028 0040 0041	--
F KTRI40293	KIT P	SET O-RING VALVOLA VRZ	0010 0011 0014 0015 0018 0019 0020 0023 0028 0029 0031 0033 0037 0038	--
			0040 0044 0045 0046	--