



IPC Integrated Professional Cleaning

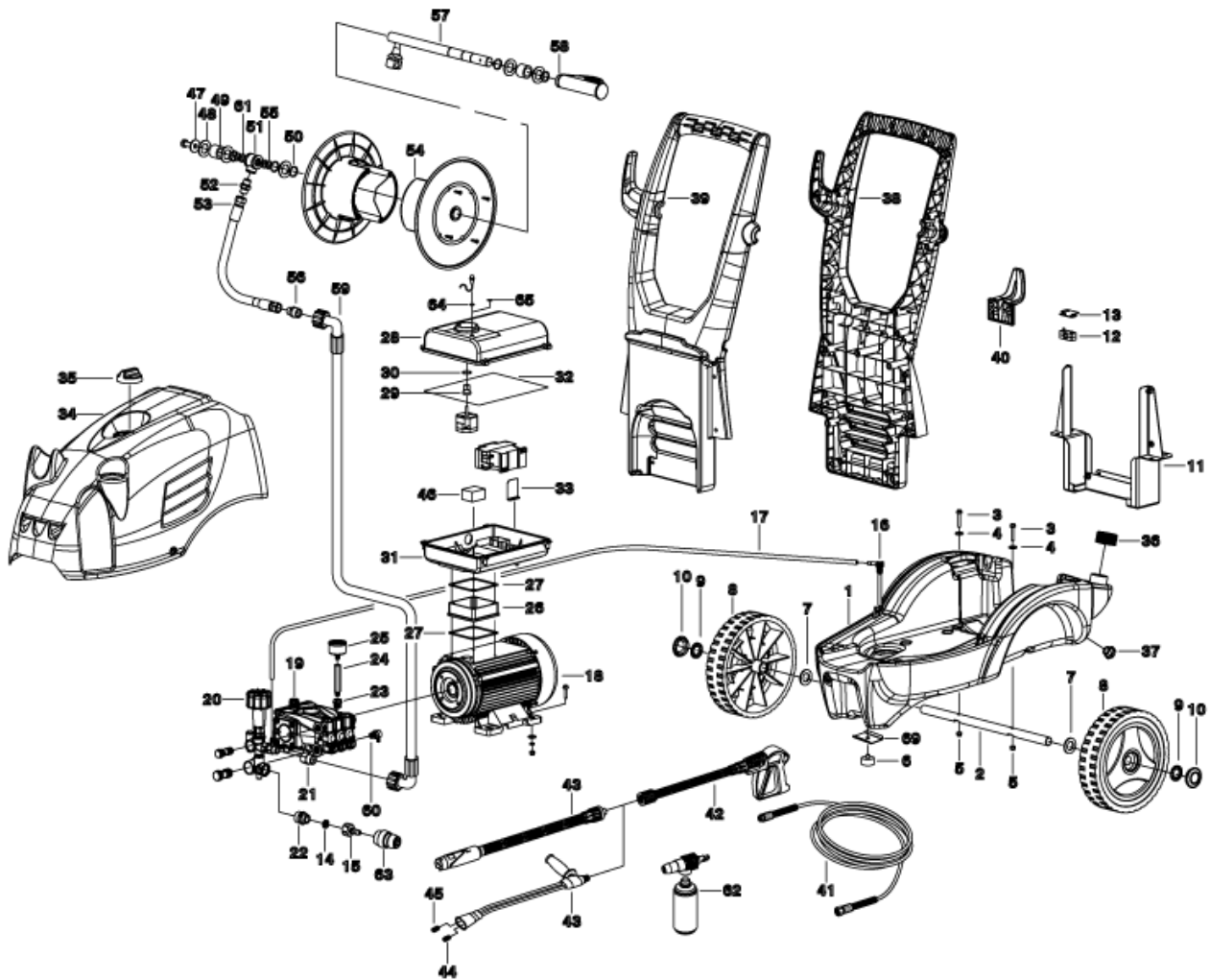
IPC Portotecnica

Spare Parts List

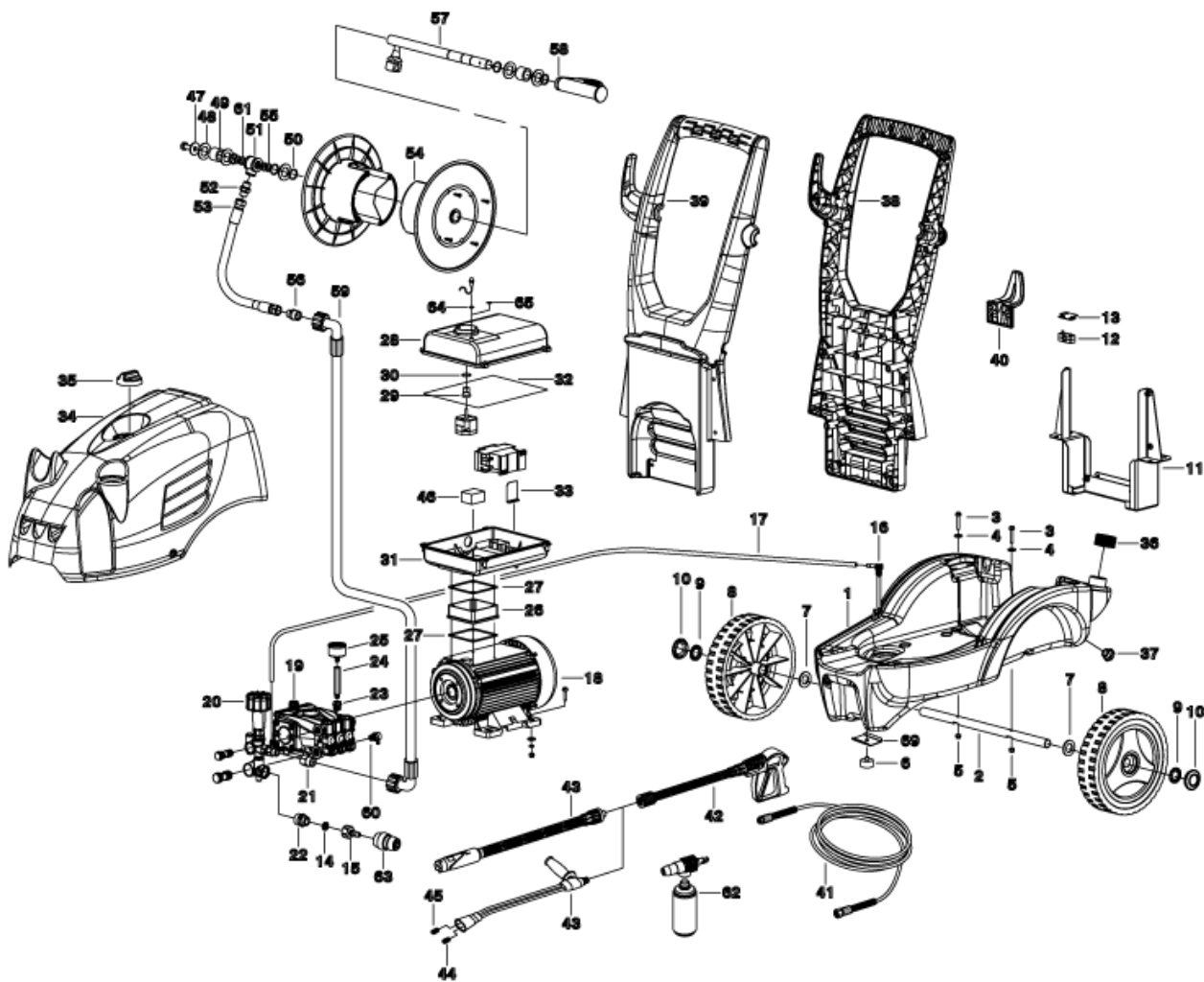
IPF ENGINEERING LTD

Ref: IDAF40481

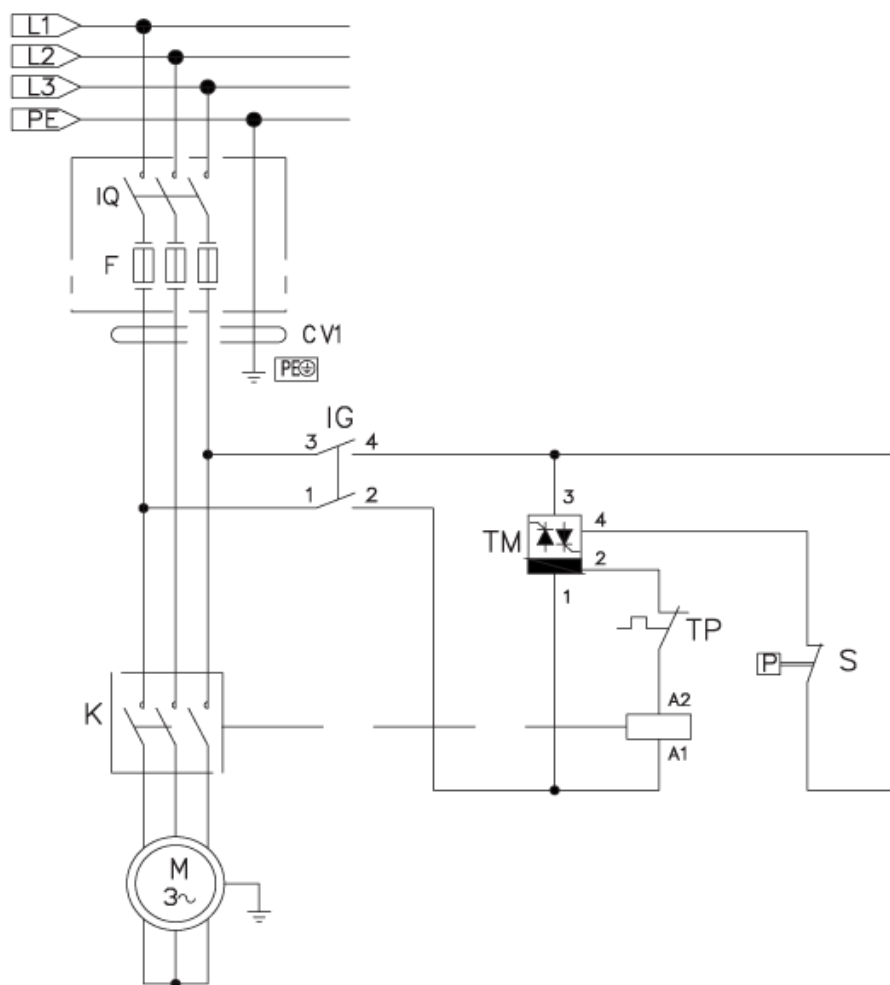
Model: IDROP N.ELITE-C PD1915P4 T400/50 3-01IPF



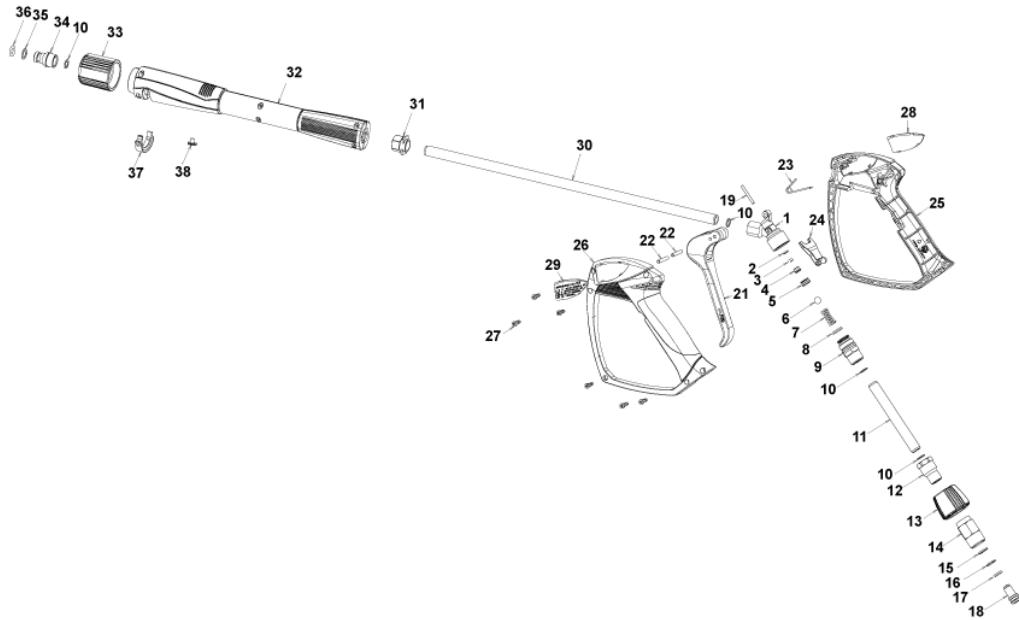
Ref.	K	Part N.	Customer Part N.	Description	Qty	Validity:		Price
						From	To	
0001		MPVR40329		CHASSIS PW-C40 PEHD BK	1,00			--
0002		LAFN40450		TROLLEY AXLE PW-C40 D.20 ZC.	1,00			--
0003		VTRS13945		WASHER D. 6X18 INX UNI 6593	2,00			--
0004		VTVT06242		SCREW TE M 6X 35 F/RD.ZN	2,00			--
0005		VTDD00491		NUT M 6 TEF	2,00			--
0006		ABGO40000		VIBRATION DAMP.30X15- 1M8X 8 60SH GMn	1,00			--
0007		VTRS00509		WASHER D.20 PIANA Z. UNI6592	2,00			--
0008		RTRT40019		WHEEL D.250-D.20X 58 RES BK.	2,00			--
0009		VTRS28558		WASHER D.20	2,00			--
0010		MPVR40343		BLACK CAP D.50 G-48 BK.	2,00			--
0011		LAFN40456		BRACKET PW-C40 BK.	1,00			--
0012		MEVR20906		CABLE FASTNER KSM	1,00	10/2012		--
0013		LAFN40457		SUPPORT PW-C40	1,00	10/2012		--
0014		FTDT12702		FILTER PA	1,00			--
0015		RCVR29600		SOCKET PTC 3/4 F	1,00			--
0016		RCDS40110		SUCTION L= 110 -2 O-RING	1,00			--
0017		TBBP62474		L.P. HOSE D. 7-10 CR.	0,50			--
0017		FSVR40006		CLAMP D 9.8 - 10.4	1,00	12/2011		--
0018		MOTR40029		3PH MOTOR C40/AC HP 6.0 2/4-50 4P	1,00		12/2012	--
0018		MOTR40034		3PH MOTOR C40/AC HP 6.0 2/4-50 4P R	1,00	12/2012		--
0019		PPAP40039		PUMP RC 14.16 DX N	1,00			--
0020		VVAZ40022		VALVE AR M.MATIC 4/B-RC+TS/I.ET	1,00		04/2014	--
0020		VVAZ40064		VALVE VRZ-RC +TSS L.90 I.2.0	1,00	05/2014		--
0021		RCIN03753		MALE COUPLING M22-3/8 M-FA	1,00			--
0022		RCDS87610		NIPPLE 3/4 - 1/2 CB D.13.0	1,00			--
0023		PVVR40183		CAP AR RC C/F. 1/8F+OR	1,00			--
0024		RCDS40111		COLUMN M-F 1/8 L=65 MM OT.	1,00			--
0025		MNMN18650		PRESSURE GAUGE 0-300 D.40	1,00		01/2013	--
0025		MNMN93800		PRESSURE GAUGE 1/8 POST. 0-300 D.40 S/ST	1,00	01/2013		--
0027		GUGO10881		GASKET M.EL. 73X73	1,00	10/2012		--
0028		MPVR40335		BOX COVER PW-C40 ABS BK.	1,00	10/2012		--
0029		MPVR23482		TAIL PIECE TEC. TUV	1,00	10/2012		--
0030		GUGO25527		O-RING D. 14 X 3 NBR 70SH	1,00	10/2012		--
0031		MPVR40334		CONTROL BOX PW-C40/50 ABS BK.	1,00	10/2012		--
0032		GUGO11309		JOINT MOUSSE D. 3	1,00		10/2011	--
0032		GUGO33675		JOINT MOUSSE D. 4	0,90	10/2012		--
0033		LAFN40458		SUPPORT PW-C40 INX	1,00	10/2012		--
0034		MPVR40339		RED COVER PW-C40 PPL	1,00			--
0035		MPVR49057		BLACK KNOB P176-M.RACE PA6	1,00			--



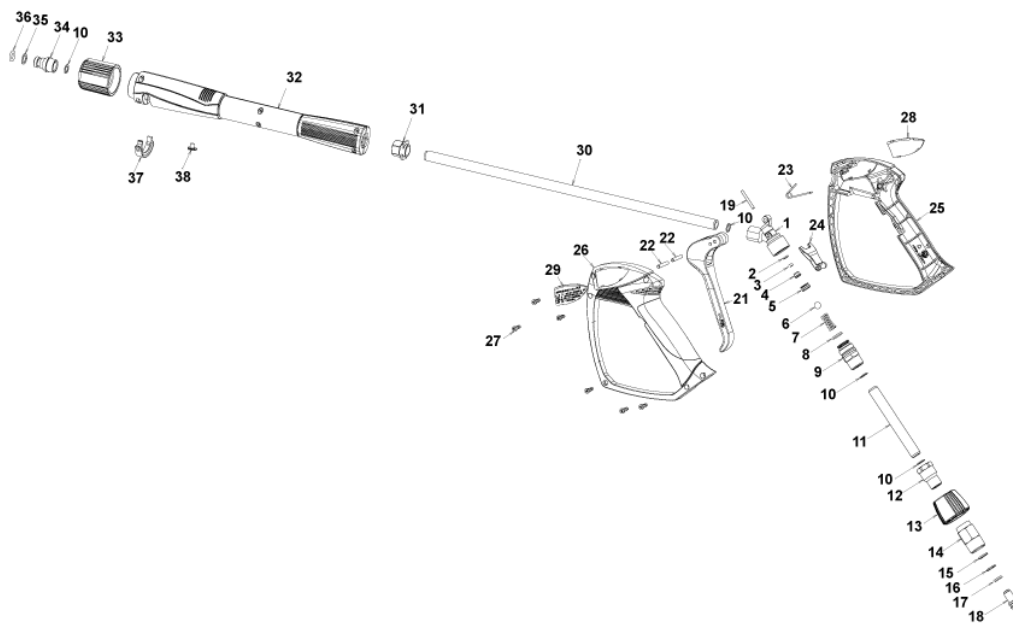
Ref.	K	Part N.	Customer Part N.	Description	Qty	Validity:		Price
						From	To	
0036		MPVR60848		TANK CAP 1-1/4F	1,00			--
0037		RCVR40046		CAP 1/4 M OT.NIK EI D. 6	1,00			--
0038		MPVR40331		HANDLE PW-C4/50 PST. PP BK.	1,00			--
0039		MPVR40332		HANDLE PW-C4/50 ANT. PP BK.	1,00			--
0040		MPVR80139		HOSE REEL H110	1,00	05/2012		--
0041		TBAP40062		H.P. HOSE R1 MT 15 5/16" C/2 IRV ZC	1,00			--
0042		IPPR40010		GRIP G 5100+P.330 +M22 SW.M V	1,00			--
0043		LCPR40046		EXTENSION P 580 - T10P 1.50 AZZ	1,00			--
0043		LCPR93178		LANCE TURBO TTR-16+SF230 D.1,35	1,00			--
0047		VTRS40016		WASHER D.22 X32 X1.2 ZC.	2,00	01/2012		--
0048		VTRS04924		WASHER D.23X 39	2,00			--
0049		MPVR40333		SPACER D. 20.5-30 L=23 POM	2,00			--
0050		VTAE33674		CIRCLIP D. 22 UNI 7435	6,00			--
0051		RCDS89862		BLOCK PRT-P237 G3/8 OT.	1,00			--
0052		RCDS00610		NIPPLE 3/8 - 3/8 SV	1,00			--
0053		TBAP40083		HOSE-FITTING 3/ 8 R2 L=460 0- 0° 3/8F	1,00			--
0054		MPVR40581		HOSE REEL PRT.ANM PP	2,00	10/2013		--
0055		GUVR37665		ANTI-EXTR.RING D.17.8X22 X1.5 PTFE	2,00			--
0056		RCIN09348		MALE COUPLING 3/8MA L=32	1,00			--
0057		LAFN37663		AXLE PRT	1,00		06/2003	--
0057		LAFN48953		AXLE PRT 2V. 3PZ.	1,00	06/2003		--
0058		MPVR31495		HANDLE PRT D. 3.5	1,00			--
0059		TBAP40085		HOSE-FITTING 3/ 8 R1 L=600 2/IRV F 90°	1,00			--
0061		GUGO01032		O-RING D. 17.13 X 2.62 NBR 70SH	2,00			--



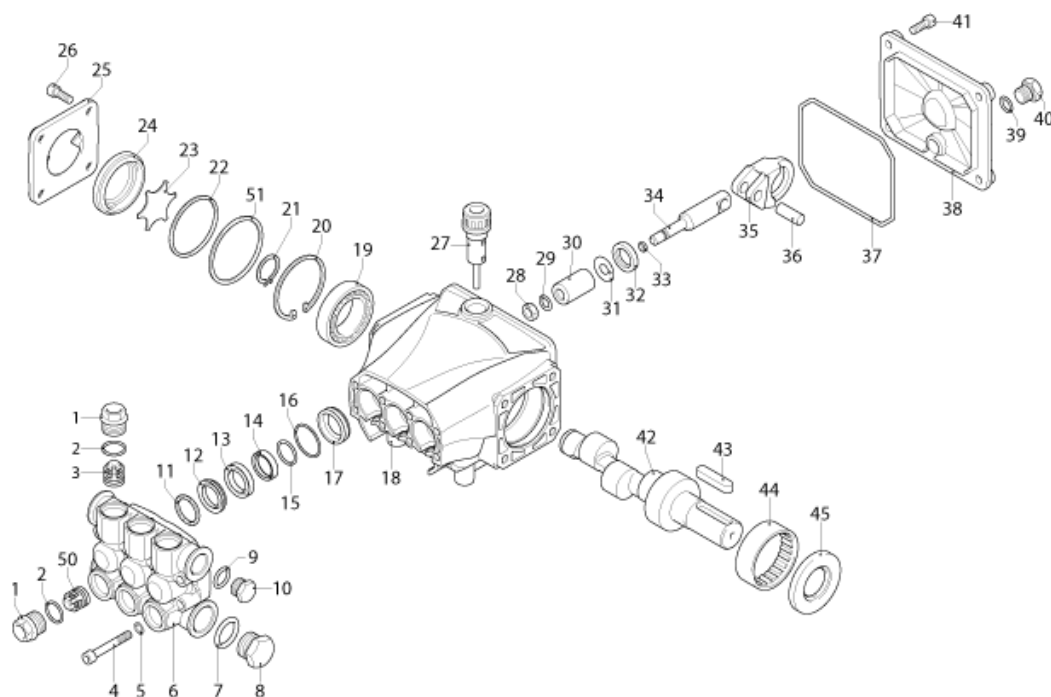
Ref.	K	Part N.	Customer Part N.	Description	Qty	Validity:		Price
						From	To	
K	METT40013			CONTACTOR SIE 3RT 2017-1AV01 400V	1,00	10/2014		--
K	METT40664			CONTACTOR SIE 3RT 1017 1AV01 400V	1,00	10/2012	10/2014	--
IG	MECI40020			SWITCH BRM BP. 0-1 12A	1,00	10/2014		--
IG	MECI40022			SWITCH BRM BP. 0-1 20A	1,00	10/2012	10/2014	--
TM	METY37439			TIMER THV/1S 380-415V 30S.5/60	1,00	10/2012		--
CV1	MECB40002			CABLE H07 RNF 4X1.5 L=6.500	1,00	10/2012		--
CV1	MEVR09422			PLUG WMX 3P+N+T 16A 380V	1,00	10/2012		--



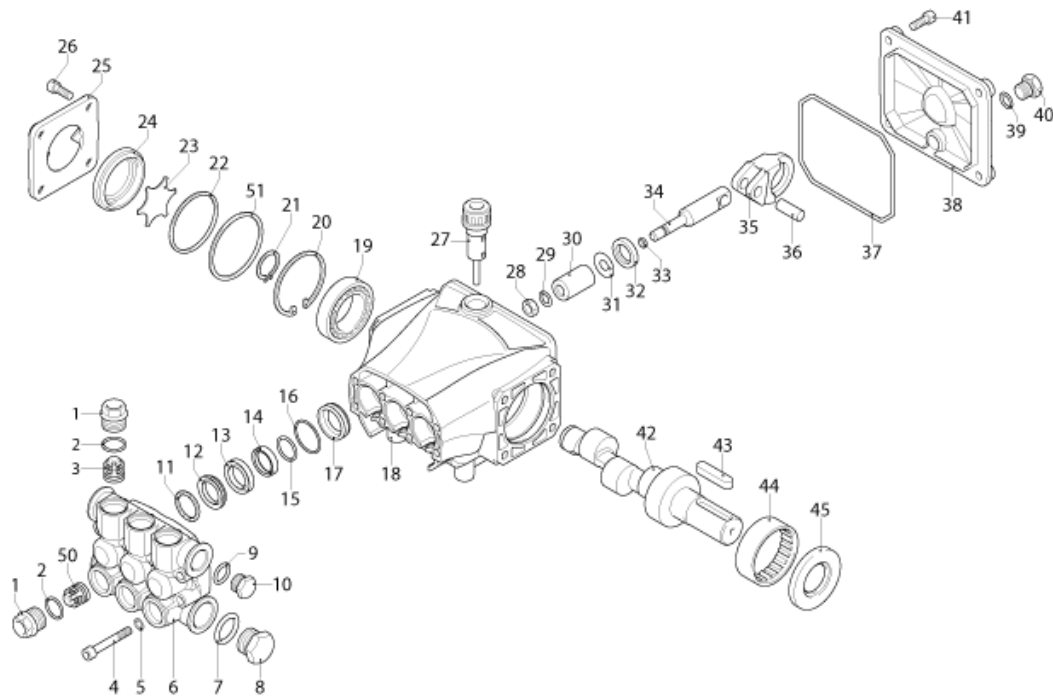
Ref.	K	Part N.	Customer Part N.	Description	Qty	Validity:		Price
						From	To	
0001		PVVR40381		GUN BODY G 5100 G1/4F	1,00			--
0002	S	GUVR40074		ANTI-EXTR.RING D. 3 X 7.4X1.3	1,00			--
0003	S	GUGO21835		O-RING D. 2.84 X 2.62 VIT. 80SH	1,00			--
0004		PVVR40382		PISTON GUIDE G 5100	1,00			--
0005	S	PVVR40112		BALL SEAT G 5000	1,00			--
0006	S	SFVR27026		BALL D.11/32" INX	1,00			--
0007		MLML40016		SPRING D. 9.4 x21.5x1.6 G5000	1,00			--
0008		GUGO12322		O-RING D. 14 X 1.78 NBR 90SH	1,00			--
0009		PVVR40383		CONNECTOR COLL.G5100 1/4F	1,00			--
0010		VTRS40017		WASHER D. 8,2X11,4X1,00 AL	4,00			--
0011		PVVR40384		TUBE G 1/4" L.105	1,00			--
0012		RCIN40022		CONNECTOR SWIV G5100 1/4F	1,00			--
0013		MPVR40486		RING NUT G 5100 SW. GR.	1,00			--
0014		RCIN40021		JOINT SWIV 5100 M22	1,00			--
0015	S	GUVR40075		ANTI-EXTR.RING D. 10 X14X1.5	1,00			--
0016	S	GUVR40076		ANTI-EXTR.RING D. 11.2X14X1.2	1,00			--
0017	S	GUGO15295		O-RING D. 10.82 X 1.78 VIT 80SH	1,00			--
0018		PVVR40386		SCREW SW. G 5100	1,00			--
0019		PVVR40387		SMALL PISTON G 5100	1,00			--
0021		MPVR40487		TRIGGER G 5100-SW	1,00			--
0022		VTVR40047		PLUG D. 4X29	2,00			--
0023		MLML40029		SPRING G 5100	1,00			--
0024		MPVR40488		SAFETY-DEVICE G 5100-SW	1,00			--
0025		MPVR40489		SHELL G 5100-SW DX	1,00			--
0026		MPVR40490		SHELL G 5100-SW SX	1,00			--
0027		VTVT40043		SCREW AF 4X 14 HILO ZN.N	6,00			--
0028		MPVR40491		PLATE G 5100 GR.DX	1,00			--
0029		MPVR40492		PLATE G 5100 GR.SX	1,00			--
0030		LCPR40086		TUBE 1/4 L=420 ZC. 0°	1,00			--
0031		MPVR40493		CONNECTOR G 5100-SW	1,00			--
0032		MPVR40494		PROTECTION P 420 C/AN.	1,00			--
0033		PVVR40119		CONNECTION M22X1,5 IRV G5000	1,00			--
0034		RCIN40009		GUDGEON G 1/4 F IRV G5000	1,00			--
0035		GUVR40034		ANTI-EXTR.RING D. 10 X14	1,00			--
0036		GUGO01946		O-RING D. 9.13 X 2.62 VIT 70SH	1,00			--
0037		MPVR40495		CAP G 5100 REM.	1,00			--
0038		MPVR40198		CAP G 5000	1,00			--



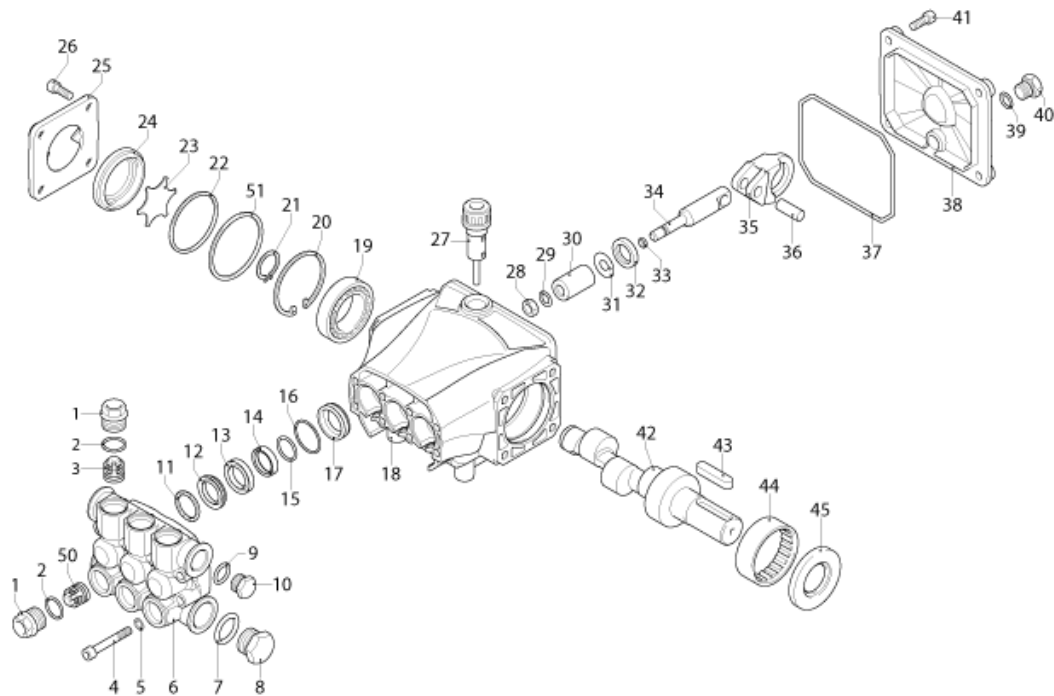
Ref. Part N.	Cust. Part N.	Description	Reference	Price
KTRI40242		KIT P 26- 25 G 5100	0002 0003 0005 0006	--
KTRI40243		KIT P 26- 25 SWIVEL G 5100	0015 0016 0017	--



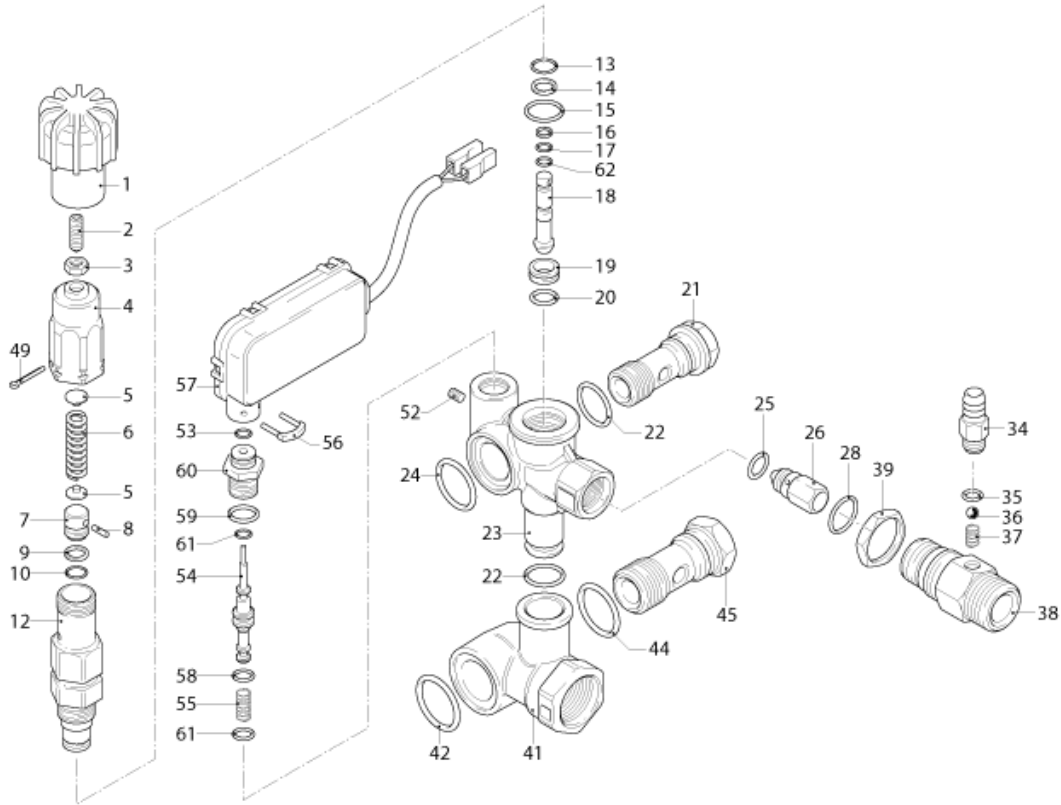
Ref.	K	Part N.	Customer Part N.	Description	Qty	Validity:		Price
						From	To	
0001		PVVR40120		CAP AR RC	6,00			--
0002		GUGO03505		O-RING D. 15.6 X 1.78 NBR 70SH	6,00			--
0003	S	VVAM40002		VALVE UNIT RC	3,00	08/2012		--
0003	S	VVAM40002		VALVE UNIT RC	6,00		07/2012	--
0004		VTVT06236		SCREW TCEI 6X40 UNI5931	8,00			--
0005		VTRS00503		WASHER D. 6 TE UNI 6798	8,00			--
0006		MFVR40019		HEAD AR RC OT.	1,00			--
0007		GUGO19245		O-RING D. 17.5 X 2 NBR 70SH	1,00			--
0008		PVVR40121		CAP 1/2 M RC	1,00			--
0009		GUGO09720		O-RING D. 14 X 1.78 NBR 70SH	1,00			--
0010		PVVR40099		CAP 3/8 M HRM	1,00			--
0011	S	PVVR40122		HEAD RING D. 18 RC	3,00			--
0012	S	GUVR40035		PACKING D. 18 RC H.P.	3,00			--
0013		PVVR40123		INTERMED. RING D. 18 RC	3,00			--
0014	S	GUVR40036		PACKING D. 18 RC L.P.	3,00			--
0015	S	GUVR40037		ANTI-EXTR.RING D.21	3,00			--
0016	S	GUGO08182		O-RING D. 21.91 X 1.78 NBR 70SH	3,00	04/2014		--
0016	S	GUGO19290		O-RING D. 23.52 X 1.78 NBR 70SH	3,00		03/2014	--
0017		PVVR40124		PACKING RETAIN.D. 18 RC	3,00			--
0018		MFVR40020		PUMP CRANKCASE AR RC	1,00		03/2014	--
0018		MFVR40027		PUMP CRANKCASE AR RCS	1,00	04/2014		--
0019		CUVR28336		BALL BEARING 6304	1,00			--
0020		VTAE09661		CIRCLIP D. 52 UNI 7437	1,00			--
0021		VTAE06193		CIRCLIP D. 20 UNI 7435	1,00			--
0022		GUGO02561		O-RING D. 47.3 X 2.62 NBR 70SH	1,00			--
0023		PVVR40125		DISC RC	1,00			--
0024		PVVR40126		OIL INDICATOR RC	1,00			--
0025		MFVR40021		CRANKCASE COVER AR RC LT.	1,00			--
0026		VTVT01531		SCREW TE 6X 16 UNI 5739	4,00			--
0027		PVVR19231		OIL CAP XTS	1,00		03/2014	--
0027		PVVR40436		OIL CAP RC	1,00	04/2014		--
0028		VTDD00483		NUT M 8 ZIN UNI 5588	3,00			--
0029		VTRS19394		WASHER D. 8X13X0.5	3,00			--
0030	S	PIVR40005		PISTON D.18X30 RC	3,00			--
0031		PVVR19233		DISC XTS	3,00			--
0032	S	GUGO09690		OIL SEAL 15X 24X 5 NBR70	3,00			--
0033		GUGO08071		O-RING D. 4.48 X 1.78 NBR 70SH	3,00			--
0034		PVVR40127		PISTON GUIDE RC	3,00			--
0035		BLVR40001		CONNECTING ROD RC	3,00			--



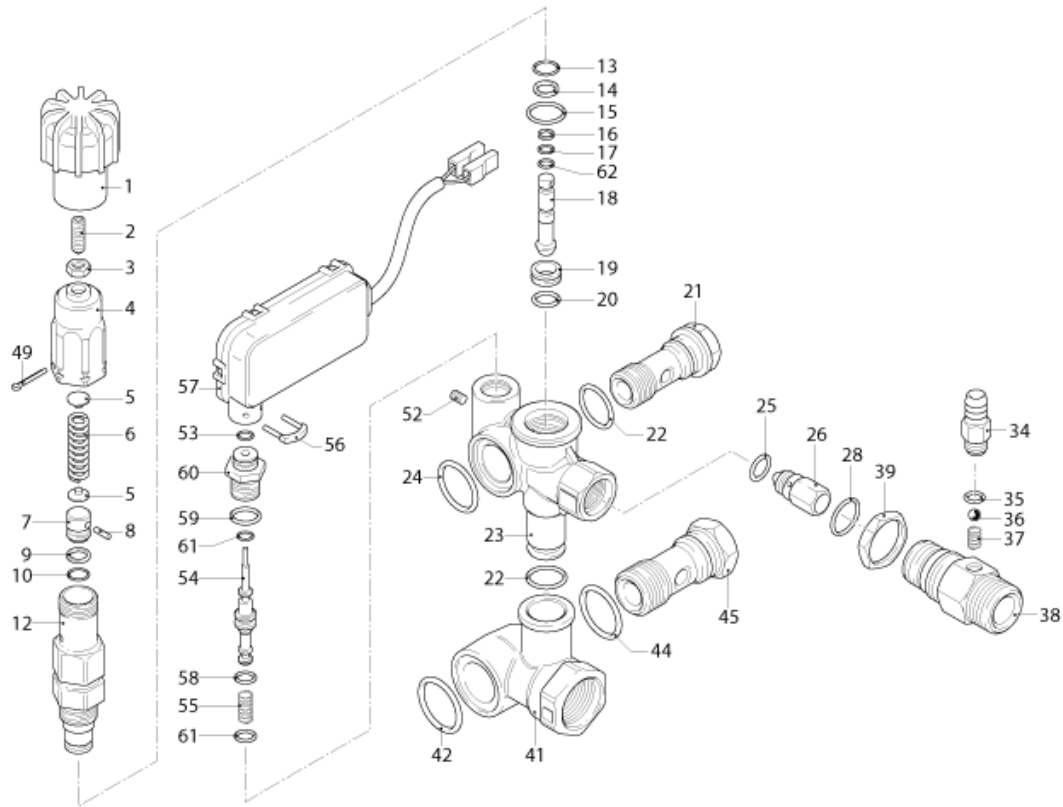
Ref.	K	Part N.	Customer Part N.	Description	Qty	Validity:		Price
						From	To	
0036		PVVR40128		GUDGEON D. 9X23 RC	3,00			--
0037		GUGO18695		O-RING D. 101.27 X 2.62 NBR 70SH	1,00			--
0038		MFVR40022		CRANKASE COVER AR RC	1,00			--
0039		GUGO01036		O-RING D. 10.82 X 1.78 NBR 70SH	1,00			--
0040		PVVR40129		CAP 1/4 M RC	1,00			--
0041		VTVT09913		SCREW TCEI 6X16 UNI5931	4,00			--
0042		ALMO40006		SHAFT AR RC 14LT VRS. N	1,00			--
0043		VTVR41531		KEY 8X 7X35 UNI 6604A	1,00			--
0044		CUVR23636		ROLLER BEARING HK 4516	1,00			--
0045	S	GUGO00999		OIL SEAL 25X 52X 7 NBR70	1,00			--
0050	S	VVAM40007		VALVE UNIT RC ASP. BK	3,00	08/2012		--
0051		PVVR40437		RING D. 51.8 X0.5	1,00	04/2014		--



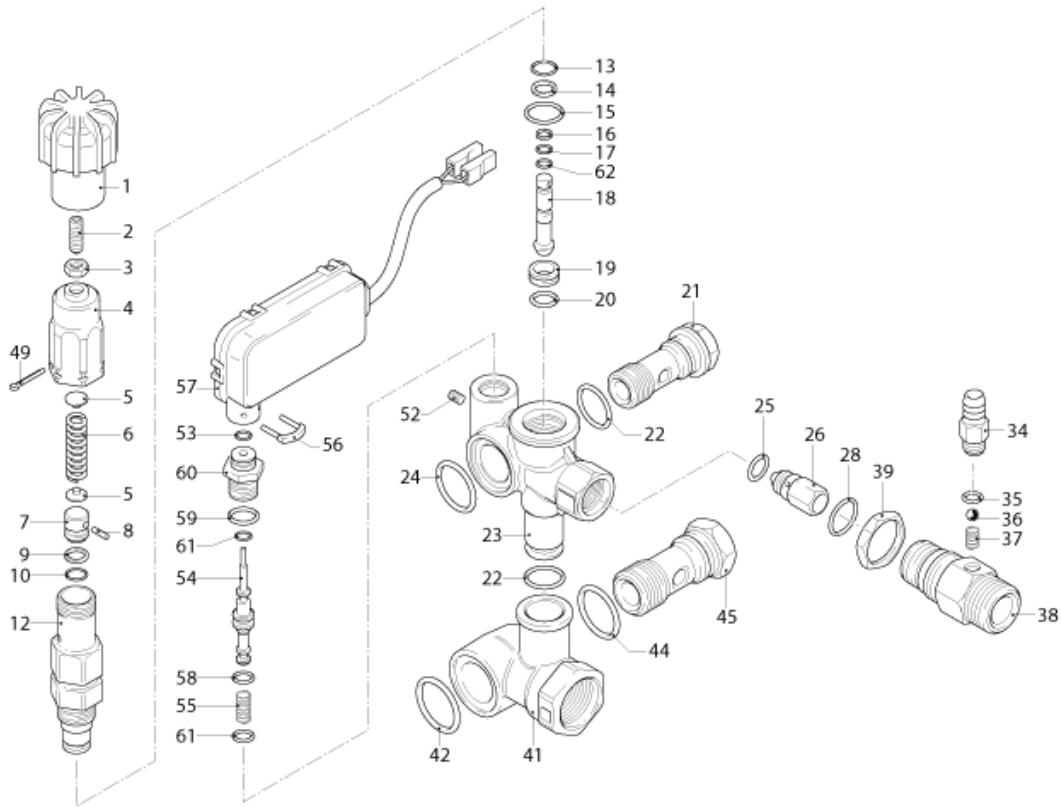
Ref. Part N.	Cust. Part N.	Description	Reference	Price
KTRI40092		KIT P 15-2186 RC	0003	--
KTRI40093		KIT P 15-42917 RC	0030	--
KTRI40094		KIT P 15-42919 D.18 RC	0012 0014 0015 0016	--
KTRI40095		KIT P 15-42903 D.18 RC	0011	--
KTRI40096		KIT P 15-42918 RC	0032 0045	--
KTRI40207		KIT P 15-42914 RC 3+3 BL./WH.	0003 0050	--



Ref.	K	Part N.	Customer Part N.	Description	Qty	Validity:		Price
						From	To	
0001		PVVR40227		KNOB M.MT/4B	1,00			--
0002		VTVT19524		SCREW EI-ST 6X16 UNI 5923	1,00			--
0003		VTDD00482		NUT M 6 ZIN UNI 5588	1,00			--
0004		PVVR40236		KNOB M.MT/4B	1,00			--
0005		PVVR40067		SPRING PLATE AR XJS	2,00			--
0006		MLML40007		SPRING D. 10.8X48.9 D.2.8 XJS	1,00			--
0007	S	PVVR40068		SMALL PISTON AR XJS SP.	1,00			--
0008	S	VTVR19193		PLUG D. 2.5X10	1,00			--
0009	S	GUVR40026		ANTI-EXTR.RING D. 8	1,00			--
0010	S	GUGO06988		O-RING D. 7.66 X 1.78 NBR 70SH	1,00		06/2013	--
0010	S	GUGO40179		O-RING D. 8 X 2 NBR 70SH	1,00	07/2013		--
0012		PVVR40069		PISTON GUIDE AR XJS	1,00		06/2013	--
0012	S	PVVR40385		PISTON GUIDE AR XJS 2V.	1,00	07/2013		--
0013	S	GUGO09720		O-RING D. 14 X 1.78 NBR 70SH	1,00			--
0014	S	GUGO63403		O-RING D. 8.73 X 1.78 NBR 70SH	1,00			--
0015	S	GUGO02259		O-RING D. 15.54 X 2.62 NBR 70SH	1,00			--
0016	S	GUVR40027		ANTI-EXTR.RING D. 3.7	1,00			--
0017	S	GUGO19189		O-RING D. 2.90 X 1.78 NBR 70SH	1,00			--
0018	S	PVVR40070		CONTROL PISTON AR XJS IF.	1,00			--
0019	S	PVVR40071		VALVE SEAT AR XJS	1,00			--
0020	S	GUGO41692		O-RING D. 9 X 1 NBR 70SH	1,00			--
0021		RCDS40068		SCREW G 3/8 M.MATIC 4/B OT.	1,00			--
0022	S	GUGO01047		O-RING D. 11.91 X 2.62 NBR 70SH	2,00			--
0023		PVVR40134		VALVE BODY M.MATIC 4/B TSS	1,00			--
0024	S	GUGO19395		O-RING D. 20.24 X 2.62 NBR 70SH	1,00			--
0025	S	GUGO12494		O-RING D. 4 X 2.5 -NBR 70SH	1,00			--
0026	S	PVVR40074		COUPLING N.RIT. XJS	1,00			--
0027		MLML32257		SPRING D. 6.5 X14 D.0.5	1,00		06/2013	--
0028	S	GUGO11652		O-RING D. 12.42 X 1.78 NBR 70SH	1,00			--
0034		PVVR40135		HOSE FITTING M.MATIC 4/B IN.	1,00			--
0035	S	GUGO08071		O-RING D. 4.48 X 1.78 NBR 70SH	1,00			--
0036		SFVR04274		BALL D. 7/32	1,00			--
0037		MLML40008		SPRING D. 4	1,00			--
0038		RCDS40074		NIPPLE G 3/8 D. 2 M.MATIC 4/B	1,00			--
0039		VTDD40003		LOCKNUT M20x1	1,00			--
0041		PVVR40131		CONNECTOR M.MATIC 4/B	1,00			--
0042	S	GUGO76542		O-RING D. 23.47 X 2.62 NBR 70SH	1,00			--
0044	S	GUGO01058		O-RING D. 17.17 X 1.78 NBR 70SH	1,00			--
0045		RCDS40070		SCREW G 1/2 M.MATIC 4/B	1,00			--



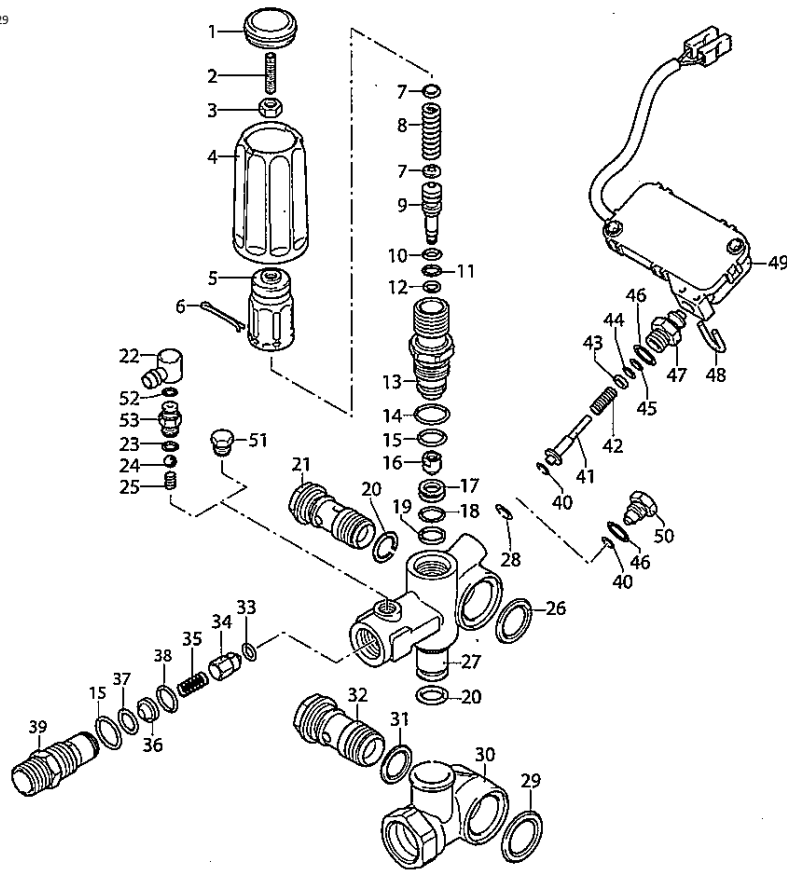
Ref.	K	Part N.	Customer Part N.	Description	Qty	Validity:		Price
						From	To	
0049		VTVR40025		SPLIT PIN D. 2,6X15	1,00			--
0052		VTVT40019		SCREW M 3X 5 EI-ST UNI 5923	1,00			--
0053	S	GUGO19207		O-RING D. 1.78 X 1.78 NBR 70SH	1,00			--
0054		PVVR40136		CONTROL PISTON AR TSS M.MTC	1,00			--
0055		MLML40017		SPRING D. 8.7 X15.9 D.1.2	1,00			--
0056		LAFN40212		PLUG "U" AR TSS	1,00			--
0057		MEPF40013		PRESSURE SWITCHAR TSS 220V N.A. L.900	1,00			--
0058	S	GUGO12489		O-RING D. 6.07 X 1.78 NBR 70SH	1,00			--
0059	S	GUGO03496		O-RING D. 9.25 X 1.78 NBR 70SH	1,00			--
0060		PVVR40137		PISTON GUIDE AR TSS M.MATIC	1,00			--
0061	S	GUGO19189		O-RING D. 2.90 X 1.78 NBR 70SH	2,00			--
0062	S	GUGO40031		O-RING D. 3.39 X 1.78 NBR 70SH	1,00			--



Ref. Part N.	Cust. Part N.	Description	Reference	Price
KTRI40127	KIT P	14-100 M.MATIC 4/B	0007 0008 0009 0010 0010 0012 0013 0014 0015 0016 0017 0018 0019 0020	--
			0062	--
KTRI40128	KIT P	14-101 M.MATIC 4/B CK.V.	0025 0026 0028	--
K F	KTRI40183	KIT P	15-42916 O-RING	--
			0009 0010 0013 0014 0015 0016 0017 0020 0053 0058 0059 0061 0062 0022	--
			0024 0025 0028 0035 0042 0044	--

VRZ TSS + ID

KIT F = pos. 10 11 14 15 18 19 20 23 28 29
31 33 37 38 40 44 45 46

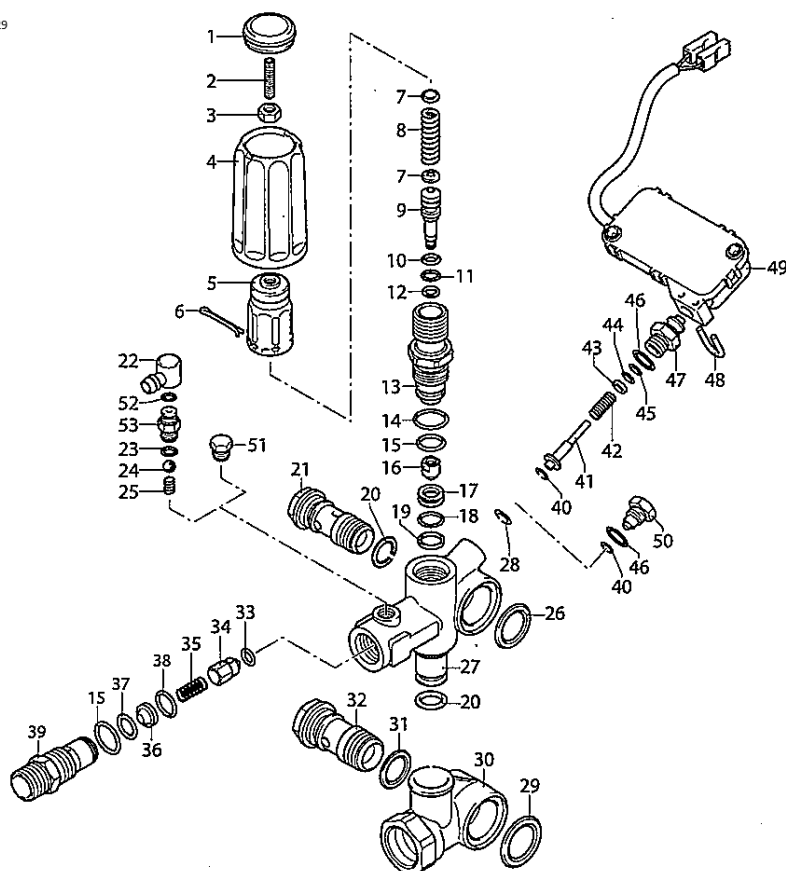


UN_00_4104-FR

Ref.	K	Part N.	Customer Part N.	Description	Qty	Validity: From To	Price
0001		PVVR40241		CAP VRC-BM	1,00		--
0002		VTVT40051		SCREW STEI M 6X25	1,00		--
0003		PVVR40292		NUT AR	1,00		--
0004		PVVR40418		KNOB VRZ	1,00		--
0005		PVVR40236		KNOB M.MT/4B	1,00		--
0006		VTVR40025		SPLIT PIN D. 2,6X15	1,00		--
0007		PVVR40067		SPRING PLATE AR XJS	2,00		--
0008		PVVR40419		SPRING VALVOLA VRZ	1,00		--
0009		PVVR40420		PISTON VRC-BM	1,00		--
0010	S	GUGO40046		O-RING D. 6.02 X 2.62 NBR 90SH	1,00		--
0011	S	GUGO12489		O-RING D. 6.07 X 1.78 NBR 70SH	1,00		--
0012		GUVR40072		ANTI-EXTR.RING D. 6.5X 9.4	1,00		--
0013		PVVR40421		PISTON GUIDE VRZ	1,00		--
0014	S	GUGO03505		O-RING D. 15.6 X 1.78 NBR 70SH	1,00		--
0015	S	GUGO11652		O-RING D. 12.42 X 1.78 NBR 70SH	2,00		--
0016		PVVR40423		COUPLING AR VRZ	1,00		--
0017		PVVR40424		VALVE SEAT AR VRZ	1,00		--
0018	S	GUGO19194		O-RING D. 11.11 X 1.78 NBR 70SH	1,00		--
0019	S	GUVR40085		ANTI-EXTR.RING D. 14 X11,8X1	1,00		--
0020	S	GUGO01047		O-RING D. 11.91 X 2.62 NBR 70SH	2,00		--
0021		RCDS40068		SCREW G 3/8 M.MATIC 4/B OT.	1,00		--
0022		PVVR40426		HOSE FITTING VALVOLA VRZ	1,00		--
0023	S	GUGO08071		O-RING D. 4.48 X 1.78 NBR 70SH	1,00		--
0024		SFVR04274		BALL D. 7/32	1,00		--
0025		MLML40008		SPRING D. 4	1,00		--
0026		GUGO40057		O-RING D. 20.29 X 2.62-NBR 70SH	1,00		--
0027		PVVR40427		VALVE BODY VRZ	1,00		--
0028	S	GUGO40031		O-RING D. 3.39 X 1.78 NBR 70SH	1,00		--
0029	S	GUGO76542		O-RING D. 23.47 X 2.62 NBR 70SH	1,00		--
0030		PVVR40428		BODY VALVOLA VRZ	1,00		--
0031	S	GUGO01058		O-RING D. 17.17 X 1.78 NBR 70SH	1,00		--
0032		RCDS40070		SCREW G 1/2 M.MATIC 4/B	1,00		--
0033	S	GUGO12494		O-RING D. 4 X 2.5 -NBR 70SH	1,00		--
0034		PVVR40422		COUPLING AR VRZ	1,00		--
0035		PVVR40252		SPRING VRC-BM	1,00		--
0036		PVVR40253		INSERT INIETT. VRC-BM	1,00		--
0037	S	GUGO41692		O-RING D. 9 X 1 NBR 70SH	1,00		--
0038	S	GUGO63495		CARRYNG BAG	1,00		--
0039		PVVR40254		INJECTOR DETERG. VRC-BM	1,00		--

VRZ TSS + ID

KIT F = pos. 10 11 14 15 18 19 20 23 28 29
31 33 37 38 40 44 45 46

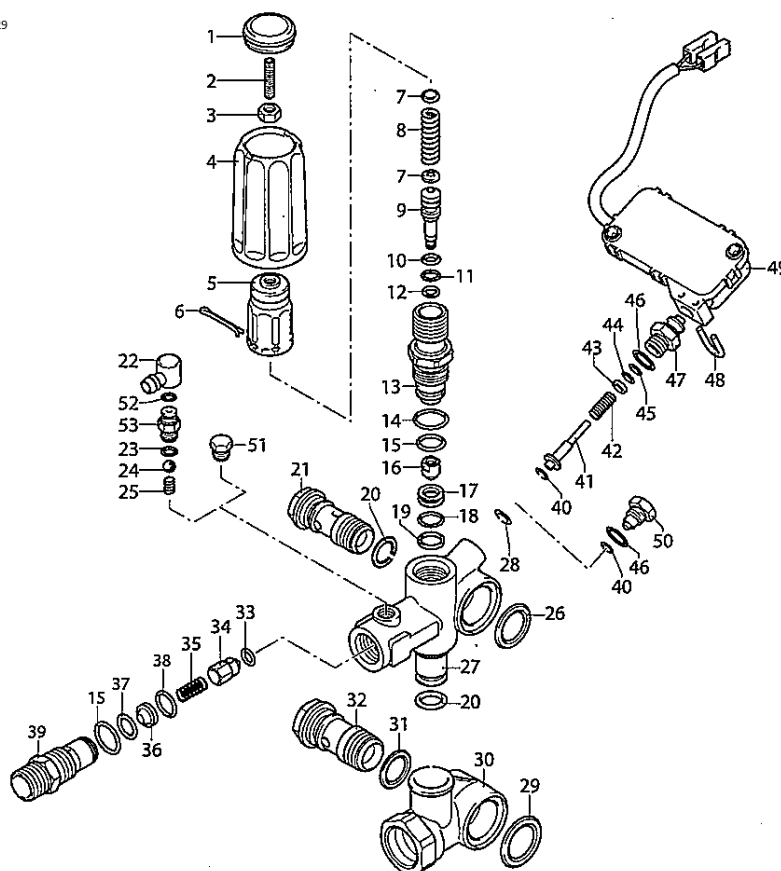


UN_00_4104-FR

Ref.	K	Part N.	Customer Part N.	Description	Qty	Validity:		Price
						From	To	
0040	S	GUVR40084		ANTI-EXTR.RING PARBAK 8-007	1,00			--
0041		PVVR40425		CONTROL ROD AR TSS VRZ	1,00			--
0042		PVVR40429		SPRING VALVOLA VRZ	1,00			--
0043		PVVR40430		WASHER VALVOLA VRZ	1,00			--
0044	S	GUGO19207		O-RING D. 1.78 X 1.78 NBR 70SH	1,00			--
0045	S	GUVR40086		ANTI-EXTR.RING D. 4,9X 2 X1,3	1,00			--
0046	S	GUGO06988		O-RING D. 7.66 X 1.78 NBR 70SH	1,00			--
0047		PVVR40431		CONNECTOR VALVOLA VRZ	1,00			--
0048		LAFN40212		PLUG "U" AR TSS	1,00			--
0049		PVVR40432		PRESSURE SWITCH TTS VRZ marc. AA	1,00			--
0052		GUGO03500		O-RING D. 6.75 X 1.78 NBR 70SH	1,00			--
0053		PVVR40435		CONNECTOR VALVOLA VRZ	1,00			--

VRZ TSS + ID

KIT F = pos. 10 11 14 15 18 19 20 23 28 29
31 33 37 38 40 44 45 46



UN_00_4104-FR

Ref. Part N.	Cust. Part N.	Description	Reference	Price
F	KTRI40293	KIT P SET O-RING VALVOLA VRZ	0011 0014 0015 0018 0020 0023 0029 0031 0037 0038 0010 0019 0028 0033 0040 0044 0045 0046	--