



IPC Integrated Professional Cleaning

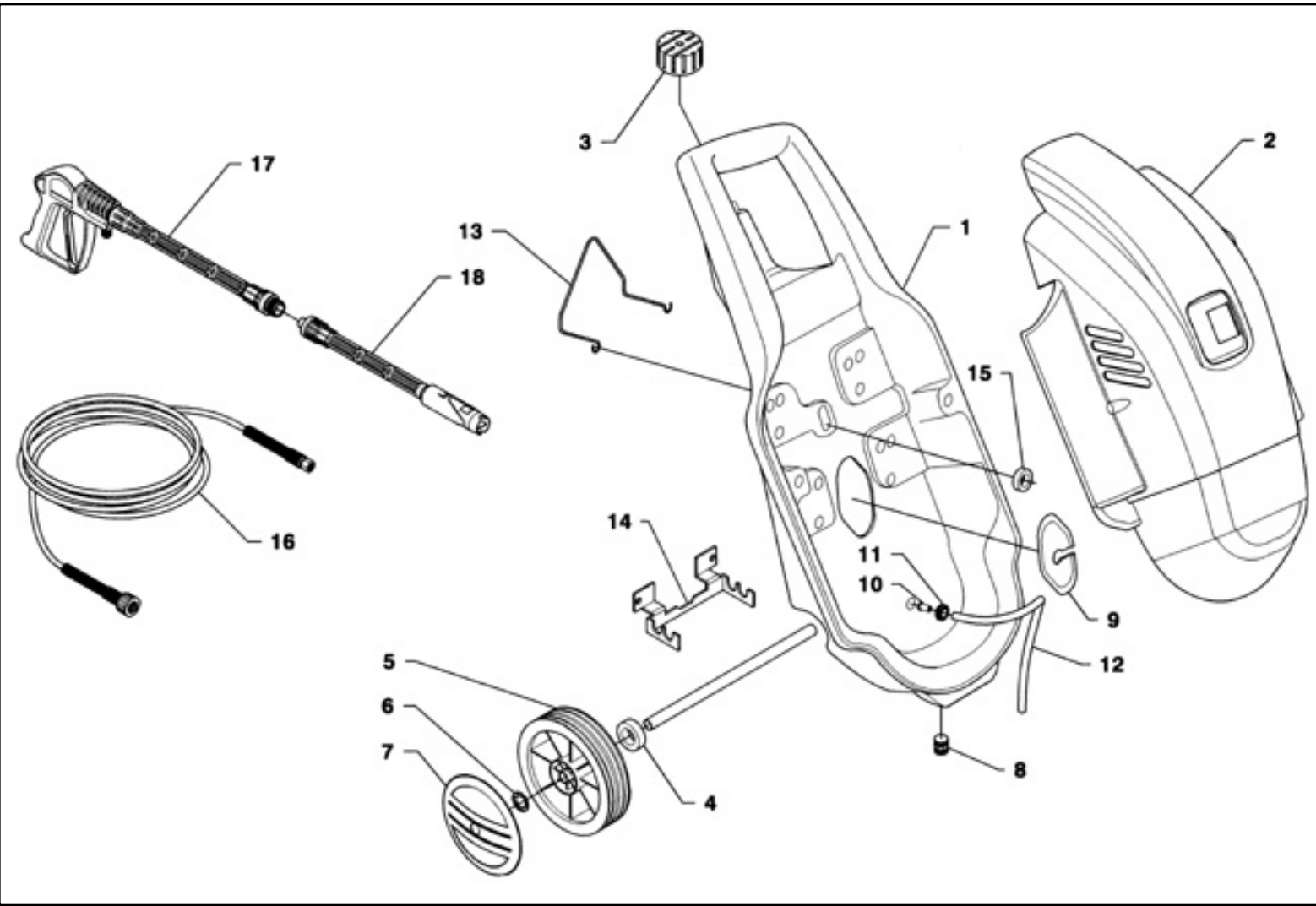
IPC Portotecnica

Spare Parts List

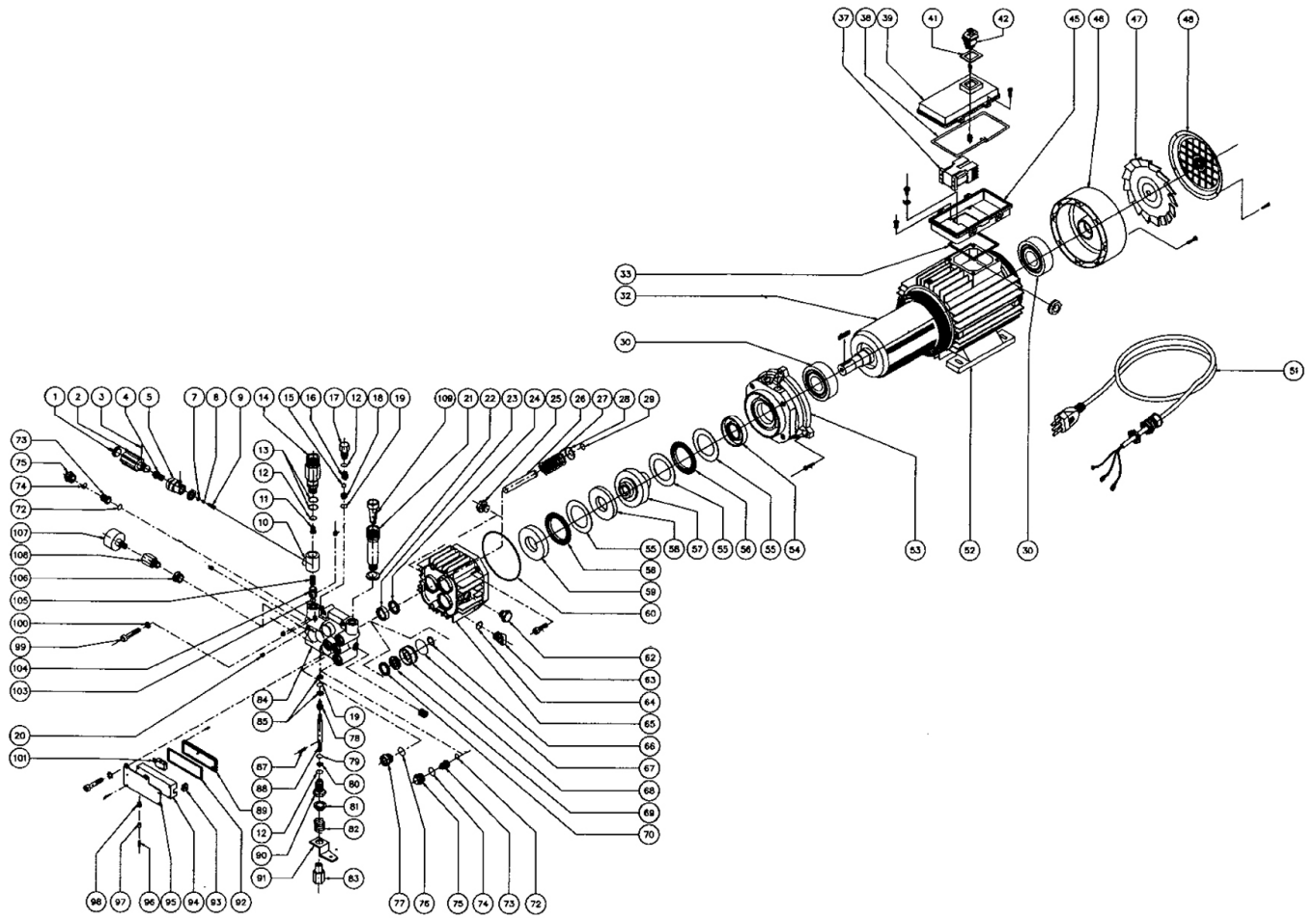
IPF ENGINEERING LTD

Ref: IDAF40258

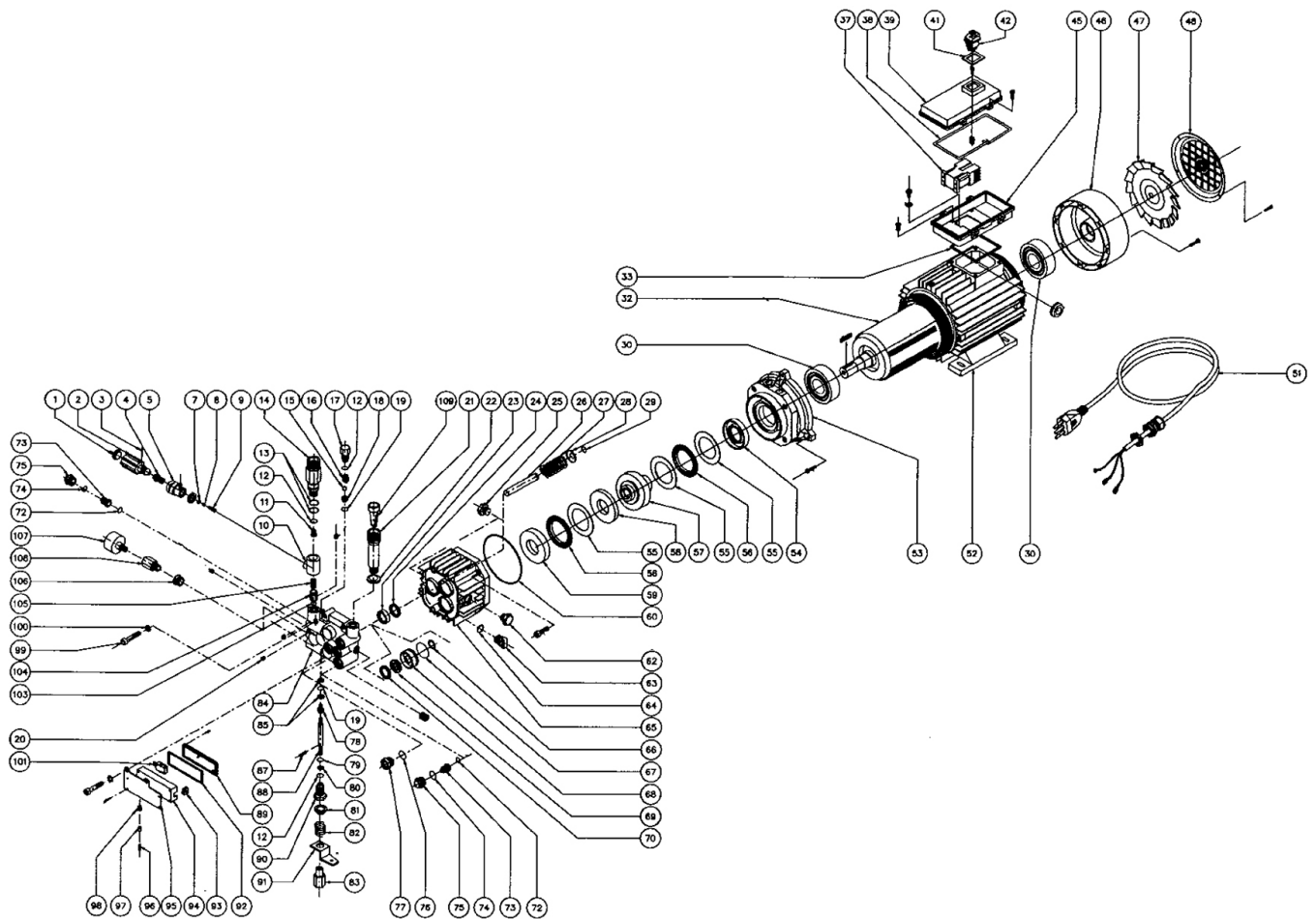
Model: IDROP ONE JT.DS 2540 T 40-415/50 3-01PRT



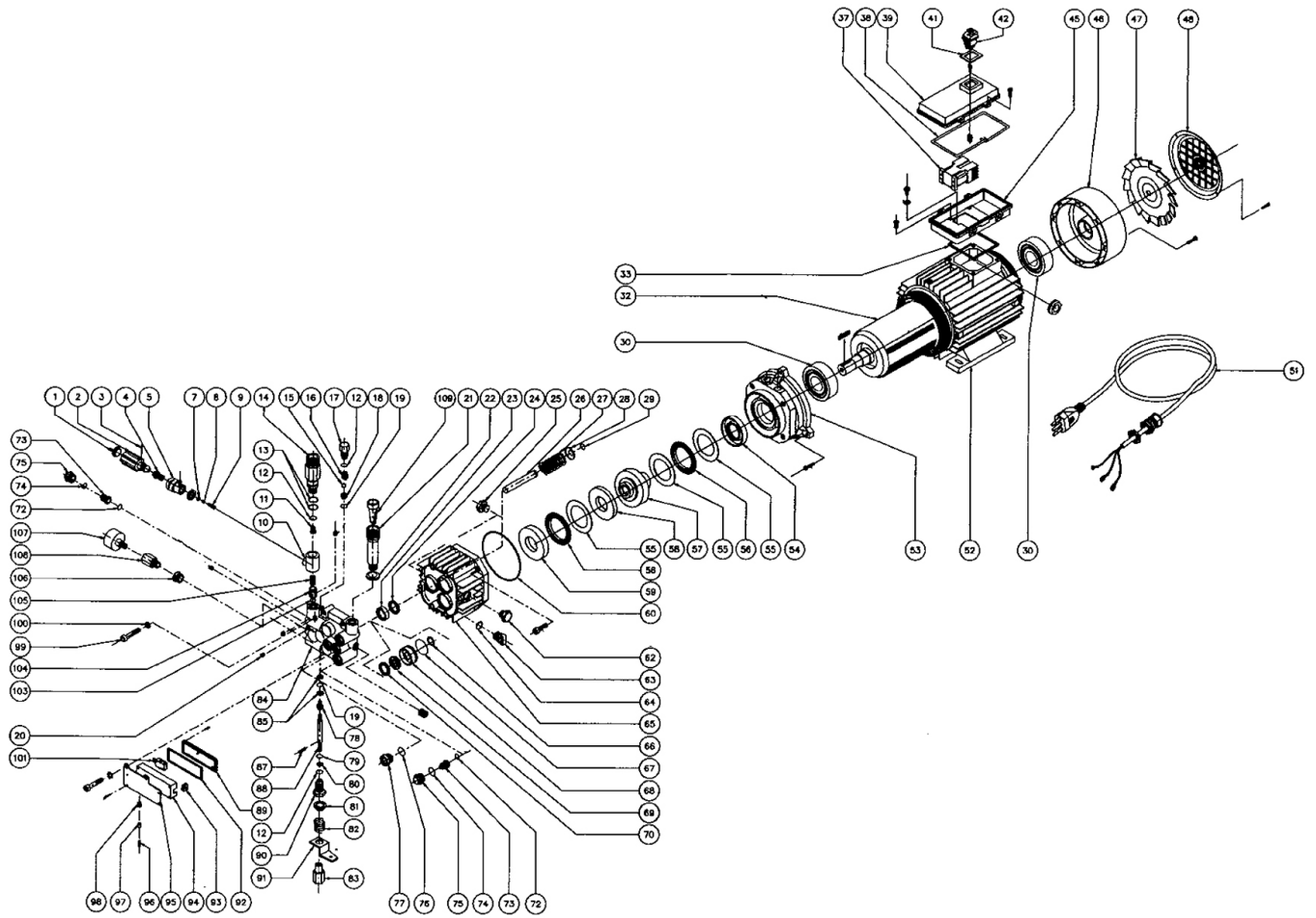
Ref.	K	Part N.	Customer Part N.	Description	Qty	Validity:		Price
						From	To	
0001		KTRI40665		TROLLEY IP ONE JT.	1,00			--
0002		MPVR40709		RED COVER ONE JT.2540 PP	1,00			--
0003		MPVR40573		TANK CAP MHDS-SK	1,00			--
0004		MPVR40930		WHEEL SPACER ONE JT.	2,00			--
0005		RTRT28559		WHEEL D.200-D.20 RT/PRT	2,00			--
0006		VTRS28558		WASHER D.20	2,00			--
0007		MPVR28450		RED WHEEL COVERD. 200 RT/PRT	2,00			--
0008		MPVR41683		PROD ONE JT.	2,00			--
0009		MPVR40931		FLANGE ONE JT.	2,00			--
0010		FTDT40934		FILTER IP ONE JT.	1,00			--
0011		MPVR28570		GROMMET D.10	1,00			--
0012		TBBP40933		L.P. HOSE D. 7-10 L=420	1,00			--
0013		LAFN40932		CABLE SUPPORT ONE JT.	1,00			--
0016		TBAP20264		H.P. HOSE SAE MT 8 D.6 IRV F - 1/4F	1,00			--
0017		IPPR40669		GRIP RL 20 - P 300 - 1/4M	1,00		08/2001	--
0017		IPPR43857		GRIP G 2100 +PR.320 +1/4 M HBY	1,00	09/2001		--
0018		LCPR37805		EXTENSION P 220 - HL 1.5 BI	1,00		08/2001	--
0018		LCPR43863		EXTENSION P 330 - I.JET D.1.25 MR	1,00	09/2001		--



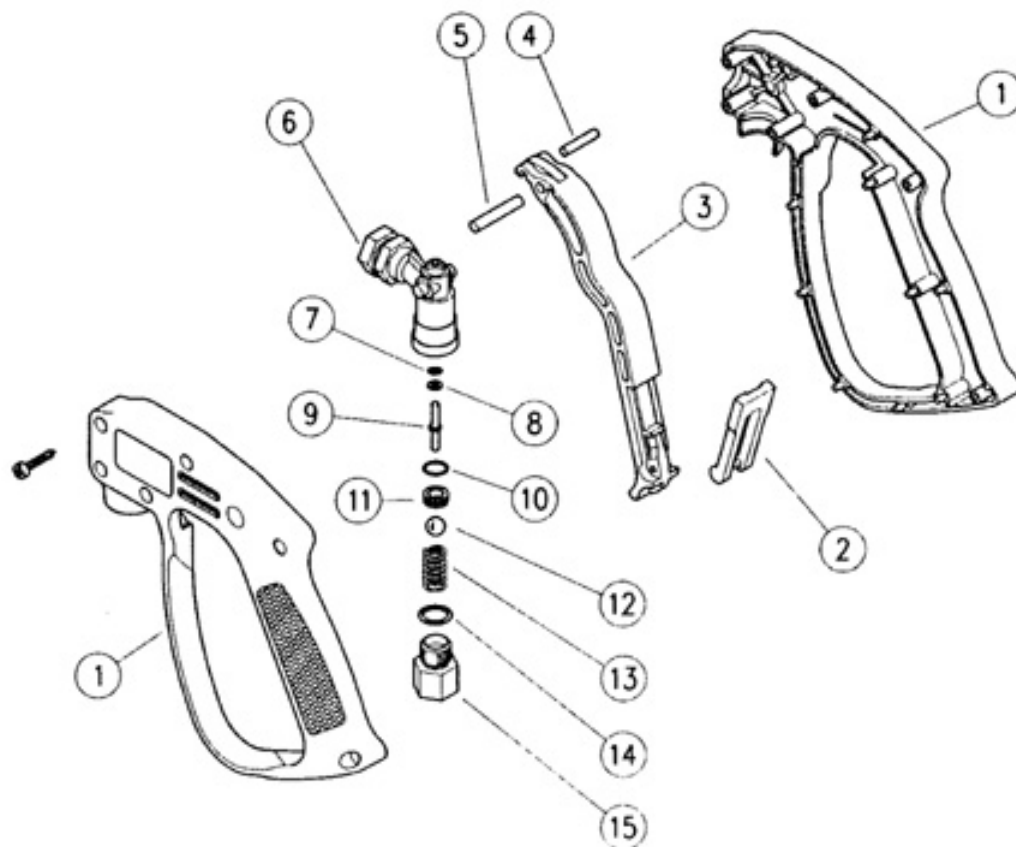
Ref.	K	Part N.	Customer Part N.	Description	Qty	Validity:		Price
						From	To	
0001		MPVR40175		PROTECTION AX14	1,00			--
0002		PVVR41614		KNOB IP	1,00			--
0003		VTVR40176		PLUG 2X22 UNI 1707 INX	1,00			--
0004		RCDS40187		NIPPLE A.700	1,00			--
0005		PVVR40174		BODY A.700	1,00			--
0007		GUGO01062		O-RING D. 3.69 X 1.78 NBR 70SH	1,00			--
0008		SFVR40173		BALL D. 3/16" AISI 420	1,00			--
0009		MLML40172		SPRING D. 3.5 h=12	1,00			--
0010		PVVR41635		BODY F.180	1,00			--
0011		UGEI60742		NOZZLE D.2.0	1,00			--
0012		GUGO19194		O-RING D. 11.11 X 1.78 NBR 70SH	3,00			--
0013		GUGO09720		O-RING D. 14 X 1.78 NBR 70SH	2,00			--
0014		RCDS41637		CONNECTOR F 180 IP	1,00			--
0015		SFVR28581		BALL D. 5/16" P 3	1,00			--
0016		MLML41638		SPRING D. 7.5 HBY	1,00			--
0017		PVVR41639		CAP AX 100	1,00			--
0018		PVVR41640		VALVE SEAT F 180	1,00			--
0019		GUGO12490		O-RING D. 8.74 X 1.78 NBR 70SH	2,00			--
0021		RCDS41641		NIPPLE G3/4 F180	1,00			--
0022		VTRS00545		WASHER D.18	1,00			--
0023		PVVR41642		INTERMED. RING D. 18X24	3,00			--
0024		GUVR41643		PACKING D. 15 HBY	3,00			--
0025		PVVR41644		CAP 3/8 M OIL	1,00			--
0026		PIVR58626		PISTON D.15 FLM. AC/CE	3,00			--
0027		MLML41646		SPRING D. 25 X44 F 180	3,00			--
0028		PVVR41647		SPRING PLATE D. 15X31	3,00			--
0029		VTAE63292		CIRCLIP RW14 UNI 7433	3,00			--
0030		CUVR15981		BALL BEARING 6205 2RS1	2,00			--
0032		MORT41649		EL.MOT. ROTOR 5 HP T 2P 50HZ	1,00			--
0033		GUGO41631		GASKET GR 80 -MEC 80/112	1,00			--
0037		METT41650		CONTACTOR CGE CL 02A 310TU 400V 5/6	1,00			--
0038		GUVR82555		JOINT D. 4	0,60			--
0039		MPVR41651		BOX COVER F 180	1,00			--
0041		GUGO40147		GASKET SLX FP	1,00			--
0042		MECI61586		SWITCH SLX 16A O-I A44	1,00			--
0045		MPVR41652		CONTROL BOX F 180	1,00			--
0046		MFVR41627		SHIELD HP 3 H90	1,00			--
0047		VEVR41628		MOTOR FAN H90 FP	1,00			--
0048		MPVR41629		PROTECTION H.90 FP	1,00			--



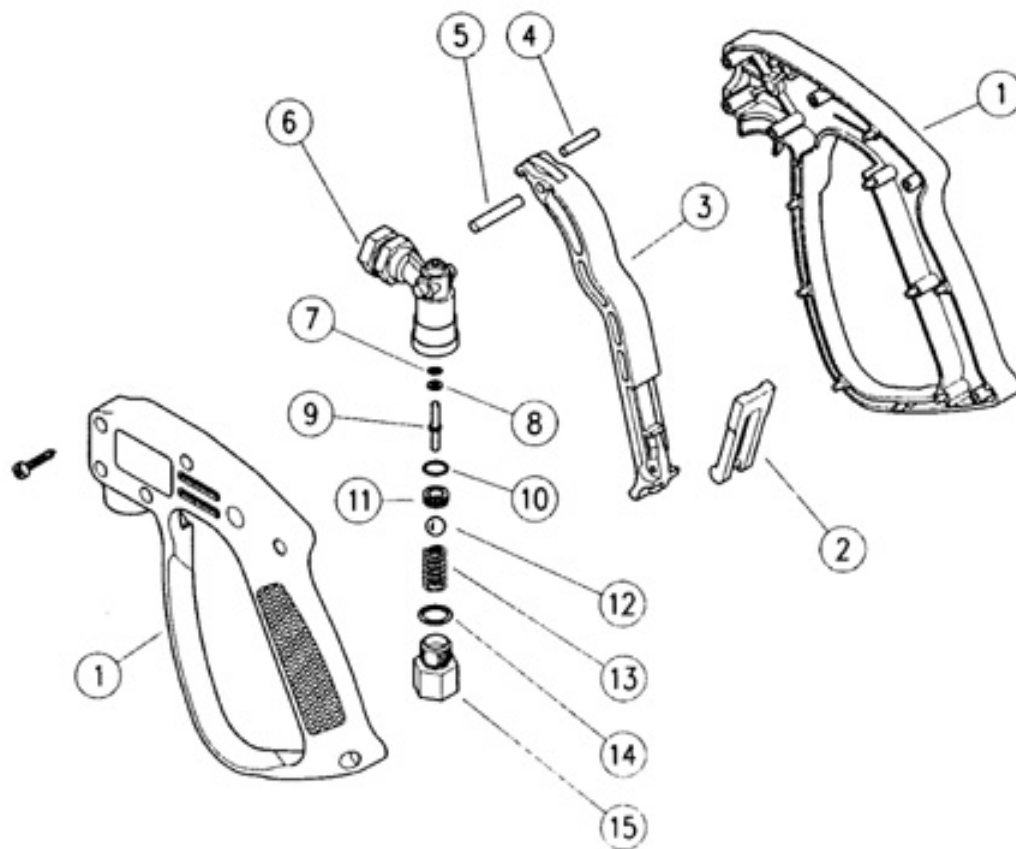
Ref.	K	Part N.	Customer Part N.	Description	Qty	Validity: From To	Price
0051		MECB64233		CABLE H07 RNF 4X1.5 L=5.500	1,00	--	--
0052		MOST50341		EL.MOT. STATOR CPL 135X 70 H130 400/50 W	1,00	--	--
0053		MFVR41655		FLANGE MOTOR F 180	1,00	--	--
0054		GUGO41622		OIL SEAL 24X 40X 7-L.CM -NBR70	1,00	--	--
0055		CUVR41656		FLANGE D. 45X65-1 AS4565	3,00	--	--
0056		CUVR41657		ROLLER BEARING AXK 4565	2,00	--	--
0057		PVVR41658		CAP MTPV 10°3	1,00	--	--
0058		CUVR41659		FLANGE D.64.5 H.5	1,00	--	--
0059		CUVR41605		FLANGE D.64.5 HBY	1,00	--	--
0060		GUGO41660		O-RING D. 94.92 X 2.62 NBR 70SH	1,00	--	--
0062		PVVR41661		CAP 3/8 M OIL+M	1,00	--	--
0063		PVVR34503		CAP D. 14 CBX	1,00	--	--
0064		GUGO41606		O-RING D. 13 X 3 NBR 70SH	1,00	--	--
0065		MFVR57586		PUMP CRANKCASE HBY 15 1/4 M10 LAV.	1,00	--	--
0066		GUGO01054		O-RING D. 15.08 X 2.62 NBR 70SH	3,00	--	--
0067		GUGO18855		O-RING D. 26.70 X 1.78 NBR 70SH	3,00	--	--
0068		PVVR41663		PACKING RETAIN.D. 15 AX/10	3,00	--	--
0069		GUVR41664		PACKING D. 15 VA	3,00	--	--
0070		PVVR09327		HEAD RING D. 15	3,00	--	--
0072		GUGO41446		O-RING D. 12 X 2 NBR 70SH	6,00	--	--
0073		VVAM41447		VALVE UNIT F 180 INX	6,00	--	--
0074		GUGO40192		O-RING D. 12 X 2 NBR 90SH	6,00	--	--
0075		PVVR41666		CAP M 18X1.33 AX 100	5,00	--	--
0076		GUGO03505		O-RING D. 15.6 X 1.78 NBR 70SH	1,00	--	--
0077		PVVR41667		CAP F 180	1,00	--	--
0078		PVVR41668		CONTROL PISTON BP F180	1,00	--	--
0079		GUGO12489		O-RING D. 6.07 X 1.78 NBR 70SH	2,00	--	--
0080		GUVR41669		ANTI-EXTR.RING D. 6 X 9 X1.5 TEF+BZ	1,00	--	--
0081		PVVR41670		SPACER B.PASS 24	1,00	--	--
0082		MLML41671		SPRING 180 B.	1,00	--	--
0083		PVVR41672		REGULAT. SCREW F 180	1,00	--	--
0084		MFVR59409		PUMP HEAD AX100 D.10 CE	1,00	--	--
0085		GUVR15203		ANTI-EXTR.RING D.12 X 9 X1.5 TEF+BZ	2,00	--	--
0087		VTVR26394		ELASTIC PLUG D. 2X12 UNI 6873	1,00	--	--
0088		PVVR41674		PIN B.PASS F 180	1,00	--	--
0089		MPVR40209		COVER S.T-STOP S/2	1,00	--	--
0090		PVVR41675		CAP BP F 180	1,00	--	--
0091		LAFN41676		PLATE SIST.T-STOP A/110	1,00	--	--
0092		GUVR40208		GASKET T-ST. S/2	1,00	--	--



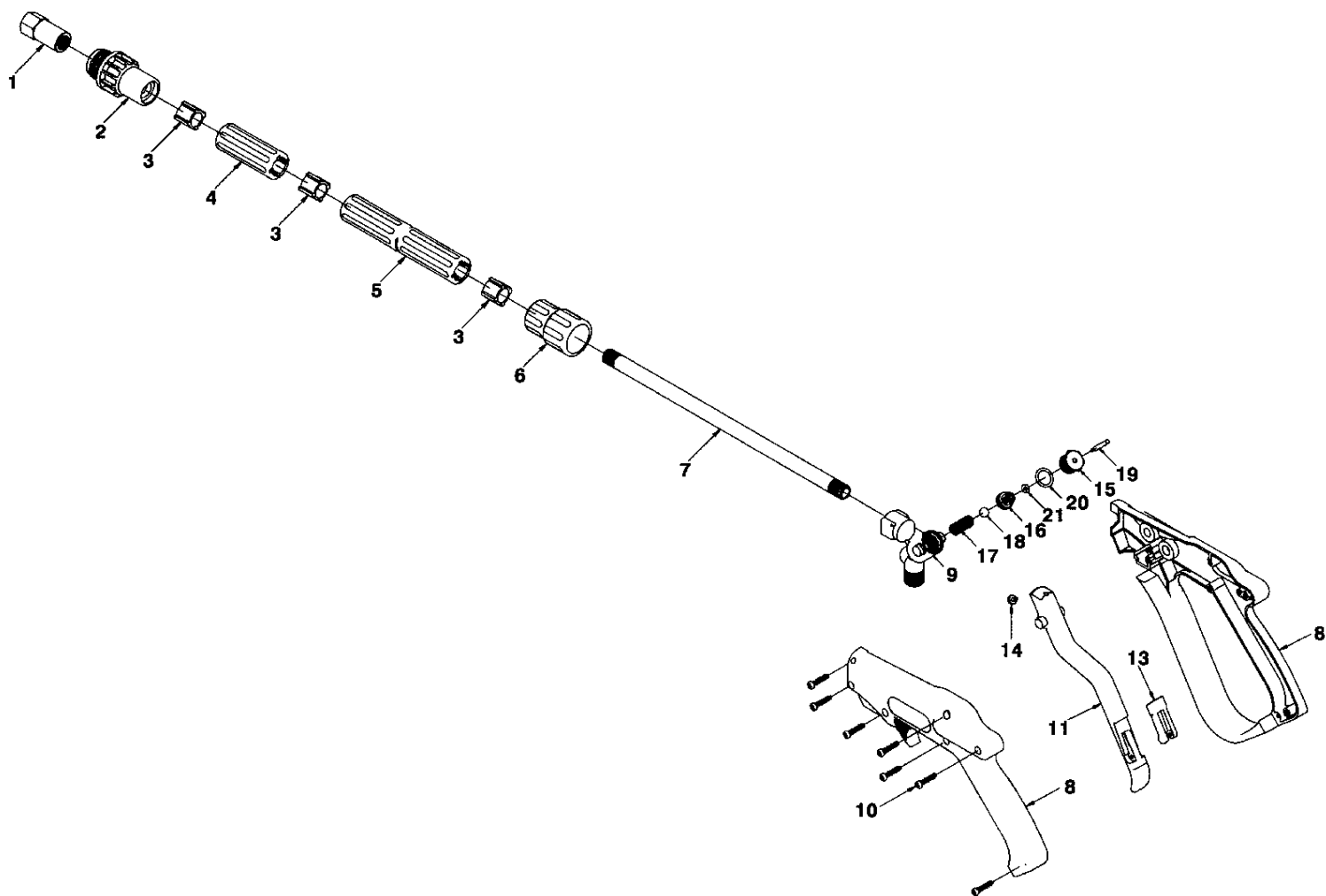
Ref.	K	Part N.	Customer Part N.	Description	Qty	Validity:		Price
						From	To	
0093		MPVR40207		FAIR-LEAD COND.D.5.5 55 SHORE	1,00			--
0094		MPVR40206		SHELL T-STOP S/2	1,00			--
0095		LAFN41677		BRACKET SIST.T-STOP A/110	1,00			--
0096		VTVR41678		REGULAT. SCREW S.T-STOP A110	1,00			--
0097		LAFN41679		BUSHING S.T-STOP A/110	1,00			--
0098		MPVR41620		PROTECTOR S.T-STOP FP	1,00			--
0101		MECI80639		MICROSWITCH 20A F.S/L	1,00			--
0103		GUGO40181		O-RING D. 5 X 2 NBR 90SH	1,00			--
0104		VVSF41680		VALVE F 180	1,00			--
0105		MLML41681		SPRING D. 5,3 X21 F.0,65 V.N.RT	1,00			--
0106		PVVR41682		CAP M 10X1 + 1/8F	1,00			--
0107		MNMN37537		PRESSURE GAUGE 0-300 G1/8M "R" D.40	1,00			--
0108		RCDS41615		CONNECTOR 1/8 M/F	1,00			--
0109		FTAC28338		FILTER HBX	2,00			--



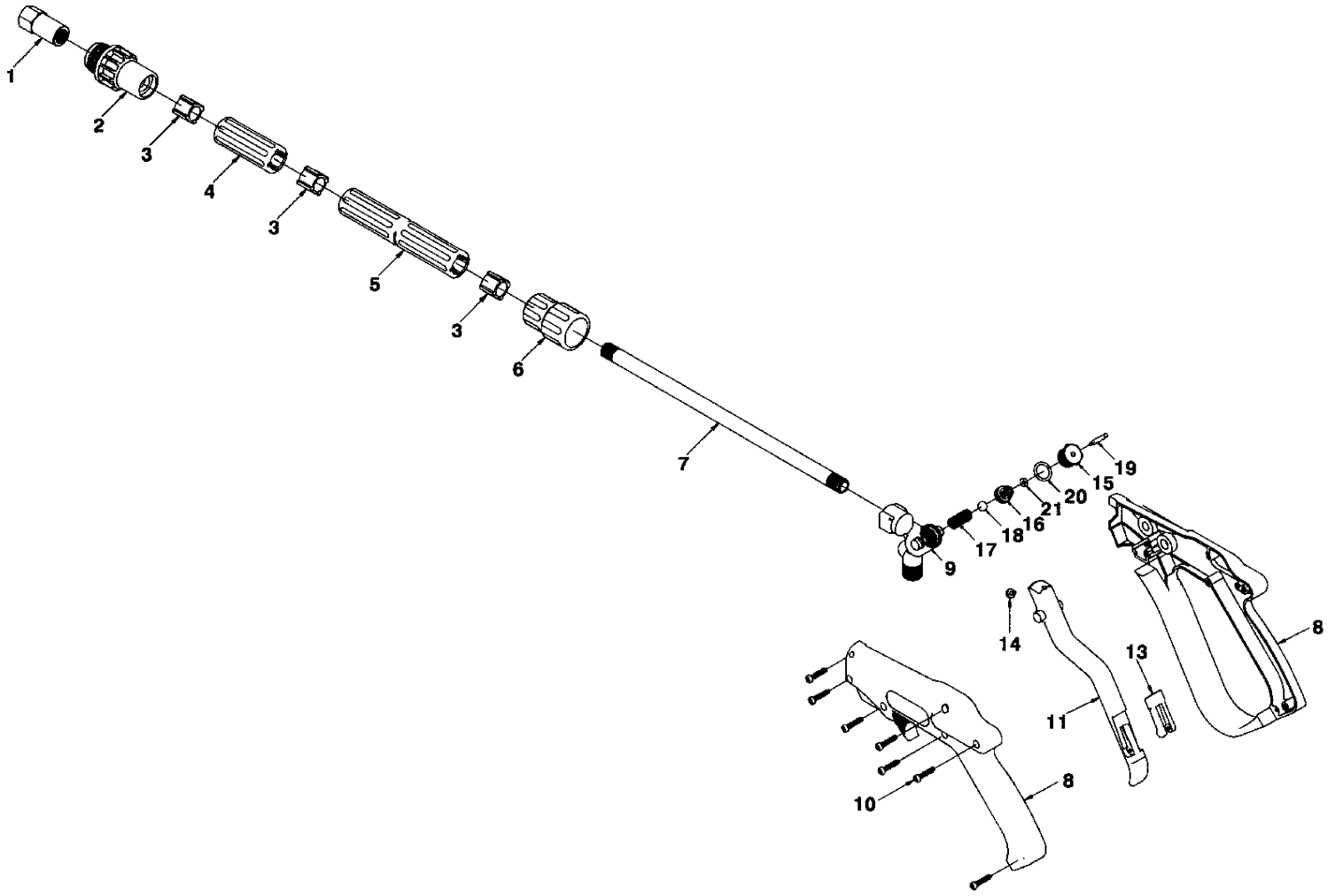
Ref.	K	Part N.	Customer Part N.	Description	Qty	Validity:		Price
						From	To	
0001		MPVR41687		LANCE SHELL RL20 2PZ.	1,00			--
0002		MPVR38722		SAFETY-DEVICE RL25	1,00			--
0003		MPVR41688		TRIGGER RL20	1,00			--
0004		VTVR41689		PLUG D. 4X16 INX	1,00			--
0005		VTVR21843		PLUG D.5X24.5	1,00			--
0006		PVVR41690		GUN BODY RL20 G1/4	1,00			--
0007	S	GUVR27719		ANTI-EXTR.RING D. 3.2X 6 X1.5	1,00			--
0008	S	GUGO19189		O-RING D. 2.90 X 1.78 NBR 70SH	1,00			--
0009	S	PVVR41691		SMALL PISTON RL20	1,00			--
0010	S	GUGO41692		O-RING D. 9 X 1 NBR 70SH	1,00			--
0011	S	PVVR41693		BALL SEAT D.6 RL20 + OR	1,00			--
0012	S	SFVR28581		BALL D. 5/16" P 3	1,00			--
0013		MLML41694		SPRING D. 6 RL 20	1,00			--
0014	S	GUGO01036		O-RING D. 10.82 X 1.78 NBR 70SH	1,00			--
0015		RCDS42023		NIPPLE G 1/4 -G1/4 RL 20	1,00			--



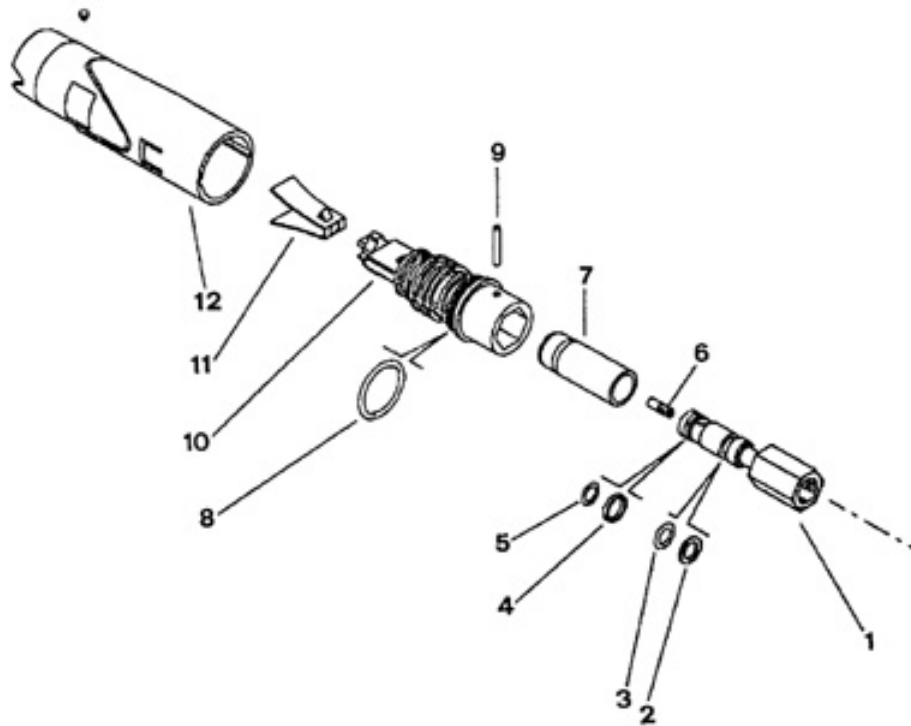
Ref. Part N.	Cust. Part N.	Description	Reference	Price
KTRI41695		KIT P 26- 16	0007 0008 0009 0010 0011 0012 0014	--



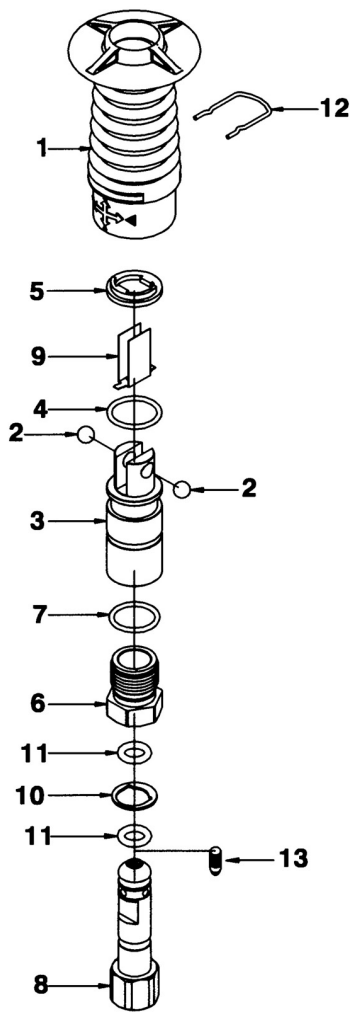
Ref.	K	Part N.	Customer Part N.	Description	Qty	Validity:		Price
						From	To	
0001		RCIN45040		FEMALE COUPLIN.P320 OT	1,00			--
0002		MPVR45041		PROTECTION M27X2 M MV	1,00			--
0003		MPVR45042		BUSHING D.13 MV	3,00			--
0004		MPVR45043		SPACER P 320 MV	1,00			--
0005		MPVR45044		PROTECTION P 320 MV	1,00			--
0006		MPVR45045		PROTECTION P 320 MV	1,00			--
0007		PVVR45048		TUBE G 1/4 MV L=291 ZB FESS	1,00			--
0008		MPVR45049		SHELL G2100 PRT	1,00			--
0009		PVVR45054		GUN BODY G 2100 G1/4	1,00			--
0010		VTVT62984		SCREW TC-CR M 4.2 X19 ZN	7,00			--
0011		MPVR45050		TRIGGER G 2100 MV	1,00			--
0014		PVVR45053		PAWL G 2100 INX	1,00			--
0015		PVVR45055		CAP M14X1 MV870 +AE.RING	1,00			--
0016		PVVR45056		BUSHING MV860 INX +O-RING	1,00			--
0017	S	MLML45057		SPRING D. 7 MV870	1,00			--
0018	S	SFVR12904		BALL D. 9/32 W1 INX	1,00			--
0019	S	PVVR45058		SMALL PISTON MV 832 INX	1,00			--
0020	S	GUGO19194		O-RING D. 11.11 X 1.78 NBR 70SH	1,00			--
0021	S	GUGO19189		O-RING D. 2.90 X 1.78 NBR 70SH	1,00			--



Ref. Part N.	Cust. Part N.	Description	Reference	Price
KTRI45068		KIT P 26- 19 G 2100	0017 0018 0019 0020 0021	--



Ref. K	Part N.	Customer Part N.	Description	Qty	Validity:		Price
					From	To	
0001	PVVR38731		PIN HL250 1/4F	1,00			--
0002	GUVR38728		ANTI-EXTR.RING D. 8 X12	1,00			--
0003	GUGO48372		O-RING D. 7.3 X 2.4 NBR 70SH	1,00			--
0004	PVVR38729		RING D. 10.2	1,00			--
0005	GUGO03500		O-RING D. 6.75 X 1.78 NBR 70SH	1,00			--
0006	UGLN38698		NOZZLE M4 D. 1.5	1,00			--
0007	PVVR38733		CASE HL250	1,00			--
0008	GUGO08182		O-RING D. 21.91 X 1.78 NBR 70SH	1,00			--
0009	VTVR38730		PLUG D. 3X23 HL250	1,00			--
0010	PVVR38732		BODY HL250	1,00			--
0011	PVVR38735		GUIDE BLADE HL250	1,00			--
0012	MPVR38734		CAP HL250	1,00			--



Ref.	K	Part N.	Customer Part N.	Description	Qty	Validity:		Price
						From	To	
0001		MPVR45059		CAP I.JET	1,00			--
0002		SFVR45060		BALL D. 1/ 4" AISI 420	2,00			--
0003		PVVR45061		BODY I.JET	1,00			--
0004		GUGO01058		O-RING D. 17.17 X 1.78 NBR 70SH	1,00			--
0005		PVVR45062		CIRCLIP I.JET	1,00			--
0006		PVVR45063		NUT I.JET	1,00			--
0007		GUGO03505		O-RING D. 15.6 X 1.78 NBR 70SH	1,00			--
0008		PVVR45064		PIN I.JET 1/4F	1,00			--
0009		PVVR45065		GUIDE BLADE I.JET	1,00			--
0010		PVVR45066		RING I.JET	1,00			--
0011		GUGO31501		O-RING D. 7.60 X 2.62 VIT 70SH	2,00			--
0012		LAFN45067		PLUG "U" I.JET	1,00			--
0013		UGLN44396		NOZZLE M4 Fp 043 Inx	1,00			--