



IPC Integrated Professional Cleaning

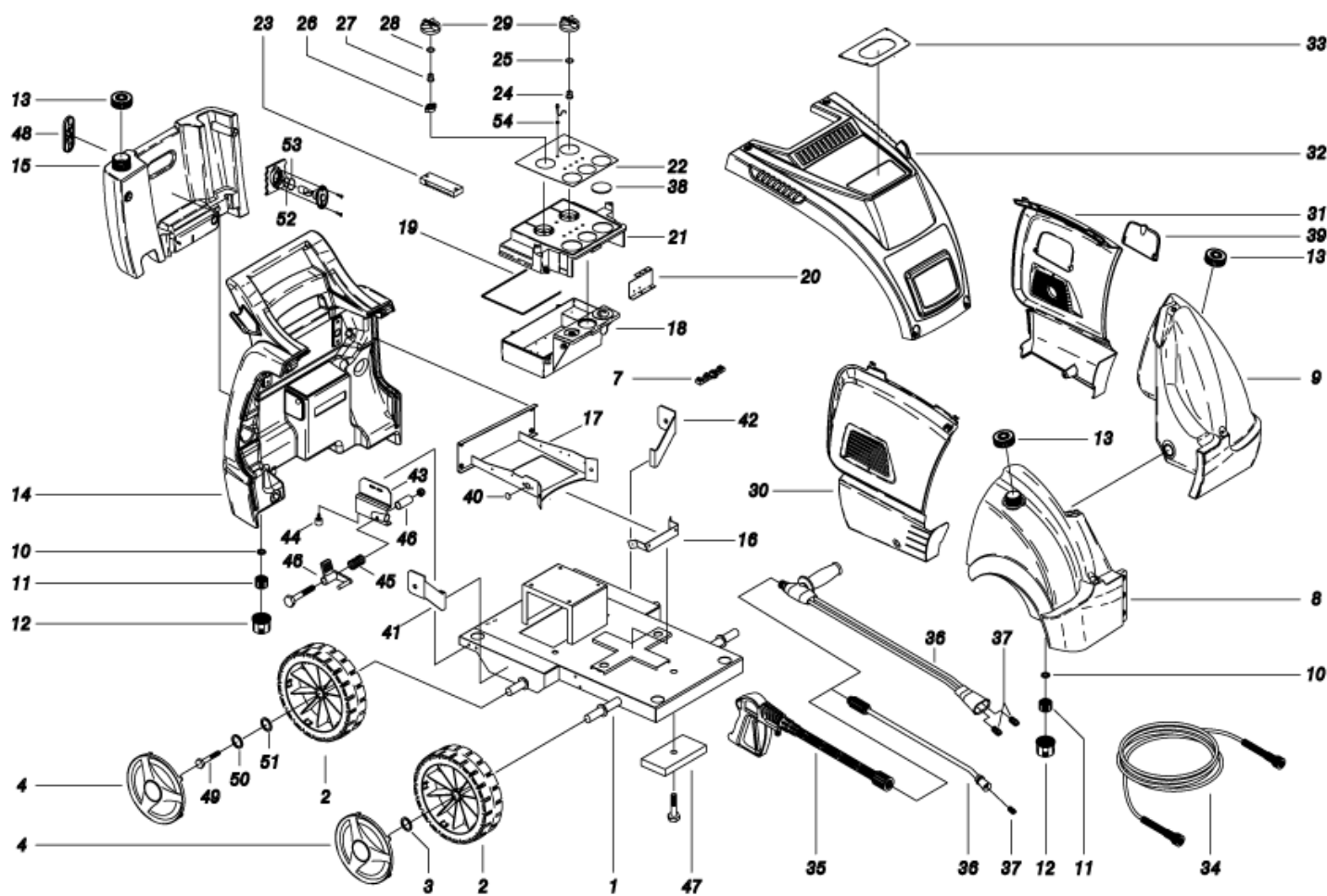
IPC Portotecnica

Spare Parts List

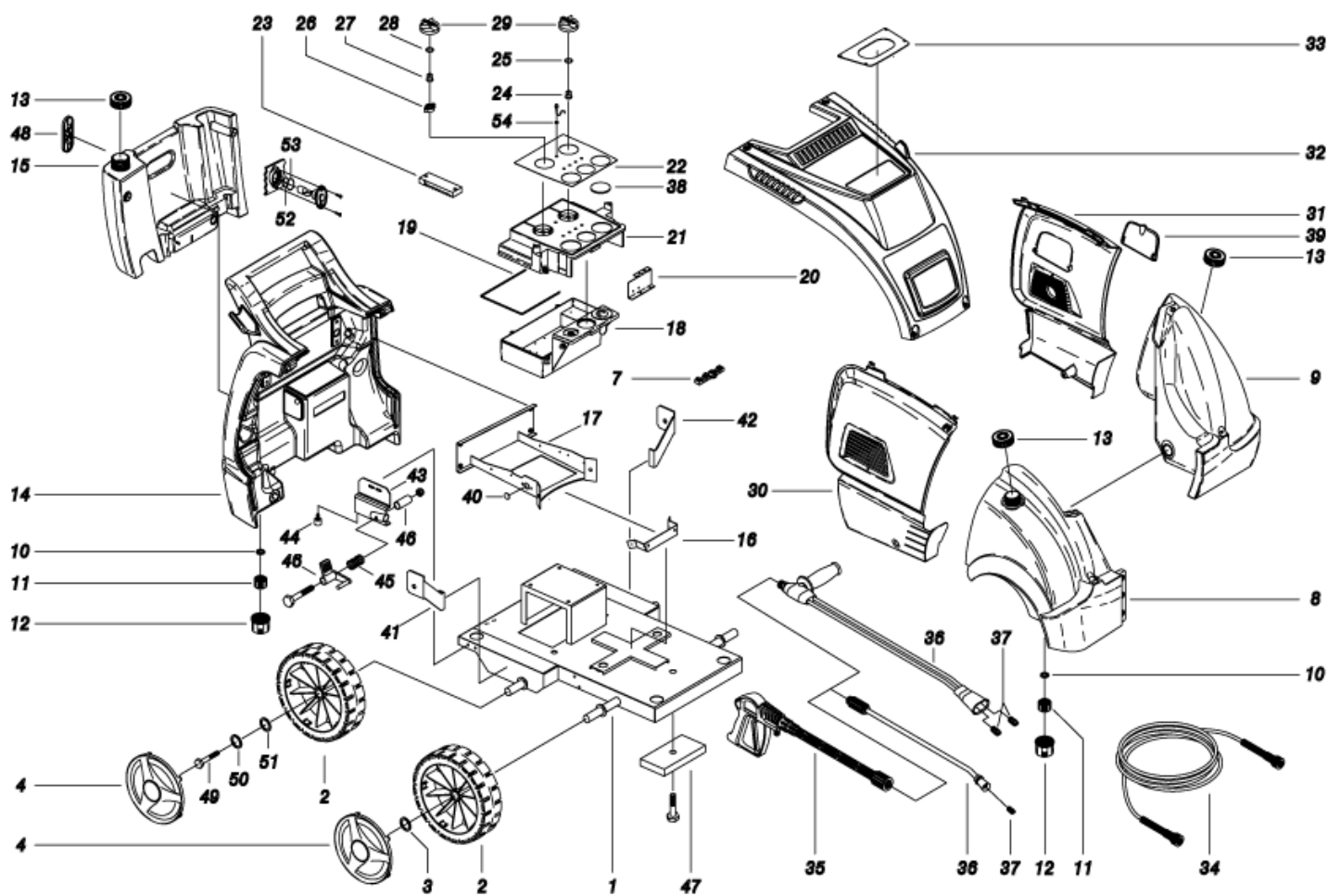
IPF ENGINEERING LTD

Ref: IDAC40209

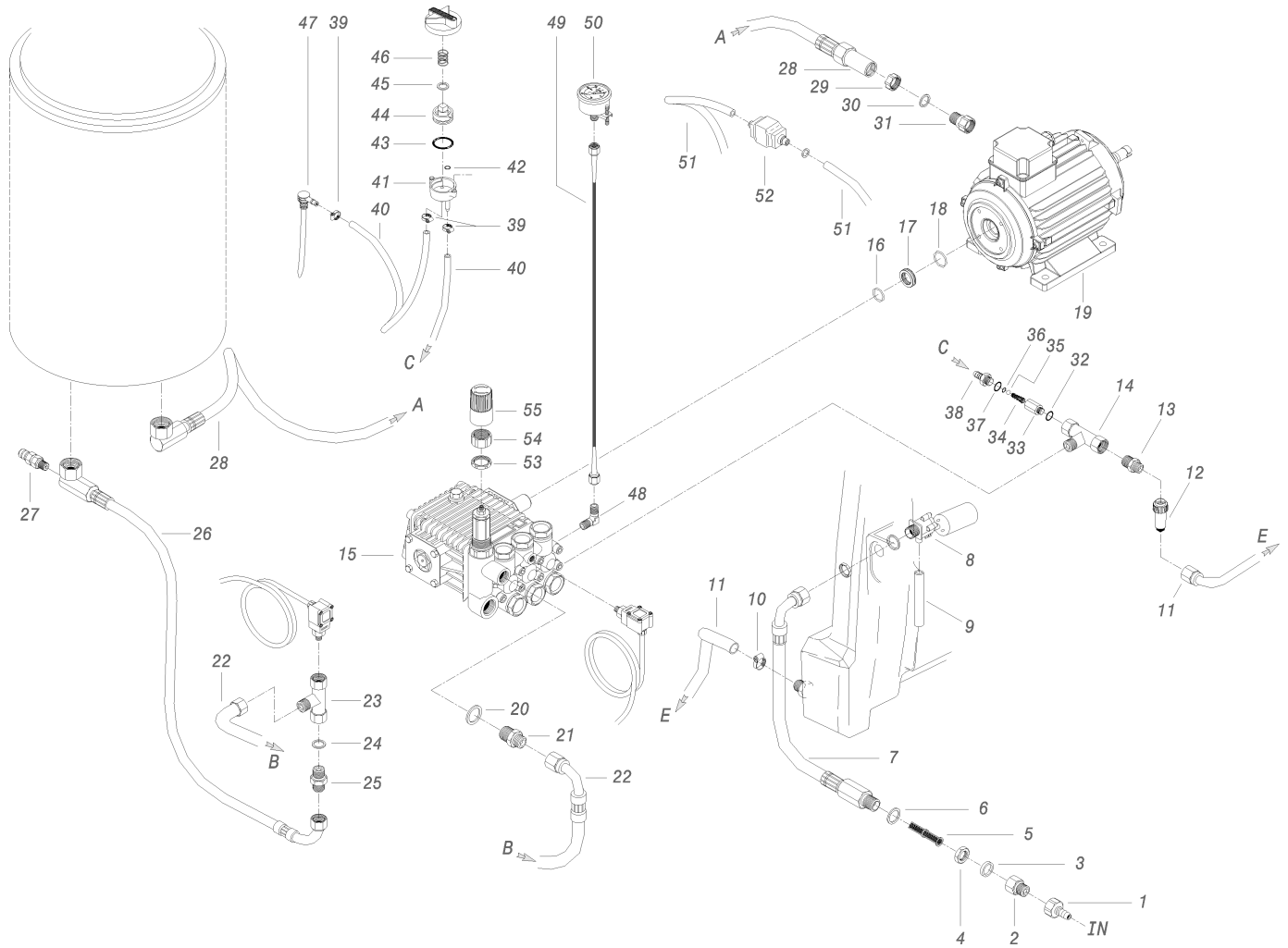
Model: IDROP OPTIMA-4W DS 175 T 400/50 3-01IPF



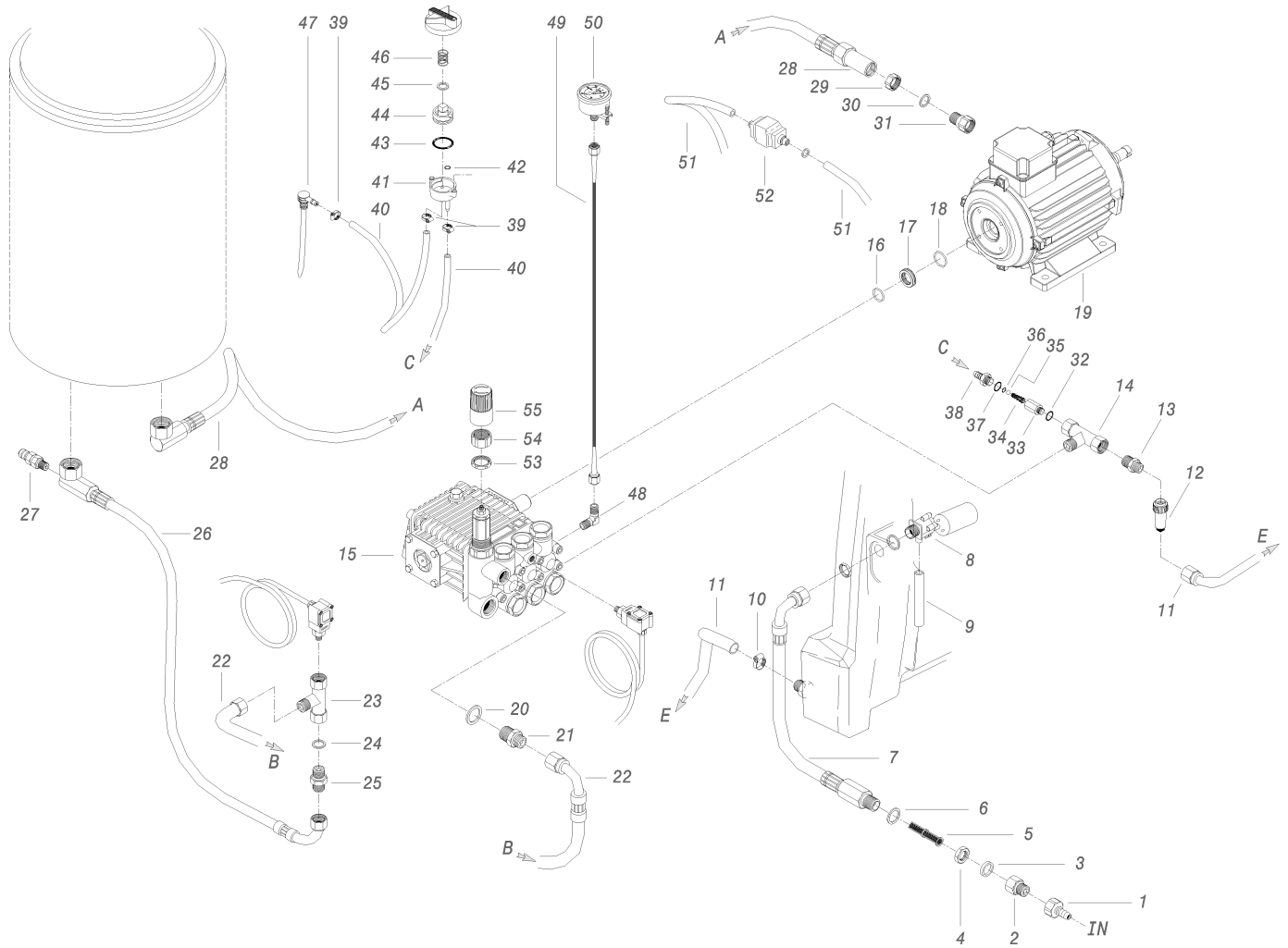
Ref.	K	Part N.	Customer Part N.	Description	Qty	Validity:		Price
						From	To	
0001		LAFN40152		CHASSIS P176-4W	1,00			--
0002		RTRT45383		WHEEL D.305-D.25 RT-IPC	4,00			--
0003		VTRS09813		WASHER D.25	2,00	08/2012		--
0004		MPVR45384		RED WHEEL COVERD. 305 RT-PRT	4,00			--
0005		VTDD46044		NUT M 6 GB. 1.7X 2.5 ZT	2,00			--
0007		MEVR20906		CABLE FASTNER KSM	1,00			--
0008		MPVR47393		FUEL TANK P176-S/CTR.LIV. PEHD	1,00			--
0009		MPVR46913		TANK P176-S/CTR.LV.PEHD	1,00			--
0010		GUGO11489		GASKET D.22X1,5	2,00	12/2005		--
0010		GUGO49900		GASKET D. 23- 35 X 3.0 A.OLIO	2,00	01/2004	12/2005	--
0011		PVVR11806		DISCHARGE CAP FLL	2,00			--
0012		MPVR20187		RING NUT M 39 X 3	2,00			--
0013		MPVR45426		TANK CAP P176 PEHD	1,00			--
0013		MPVR45426		TANK CAP P176 PEHD	2,00			--
0014		MPVR40227		HANDLE P176-OPT C/SRB.-EN PEHD	1,00	01/2011		--
0014		MPVR45429		HANDLE P176-OPTIMA C/SRB. PEHD	1,00		01/2011	--
0015		MPVR46752		TOOL HOLDER P176-DAY C/SRB. PEHD	1,00			--
0016		LAFN47470		SUPPORT P176-2V.	1,00			--
0017		LAFN89452		SUPPORT P176-3V.	1,00			--
0018		MPVR47414		CONTROL BOX P176-2 ABS	1,00			--
0019		GUGO33675		JOINT MOUSSE D. 4	0,97			--
0020		LAFN45827		SUPPORT BRACKETP176 BT	1,00			--
0021		MPVR47415		BOX COVER P176-2 ABS	1,00			--
0022		ETET40292		LABEL P176-OPTIMA/175 PLC.	1,00			--
0023		MPVR33250		CABLE CLAMP COVMISTRAL	1,00			--
0024		MPVR23482		TAIL PIECE TEC. TUV	1,00			--
0025		GUGO23079		V-SEAL RING VA0014 13.5- 15.5	1,00			--
0026		MPVR41903		THICKNESS TERM.IM.PA66	1,00			--
0027		MPVR23484		TAIL PIECE THERM.KSM TUV	1,00			--
0028		GUGO25527		O-RING D. 14 X 3 NBR 70SH	1,00			--
0029		MPVR46511		GREY KNOB KSM C/F.FIS.	3,00			--
0030		MPVR40130		LAT. PANEL P176-4W DX RD	1,00			--
0031		MPVR40143		LAT. PANEL P176-4W SX RD	1,00			--
0032		MPVR45881		RED COVER P176-OPTIMA PP	1,00			--
0033		LAFN45454		PANEL P176-OPT INX	1,00			--
0034		TBAP44379		H.P. HOSE R1 MT 20 5/16" C/2 IRV ZC	1,00			--
0035		IPPR40010		GRIP G 5100+P.330 +M22 SW.M V	1,00	04/2014		--
0035		IPPR89429		GRIP G 4500 - P.330 -M22SW.M V	1,00		04/2014	--
0036		LCPR12983		DOUBLE EXTENS. PD 70	1,00			--



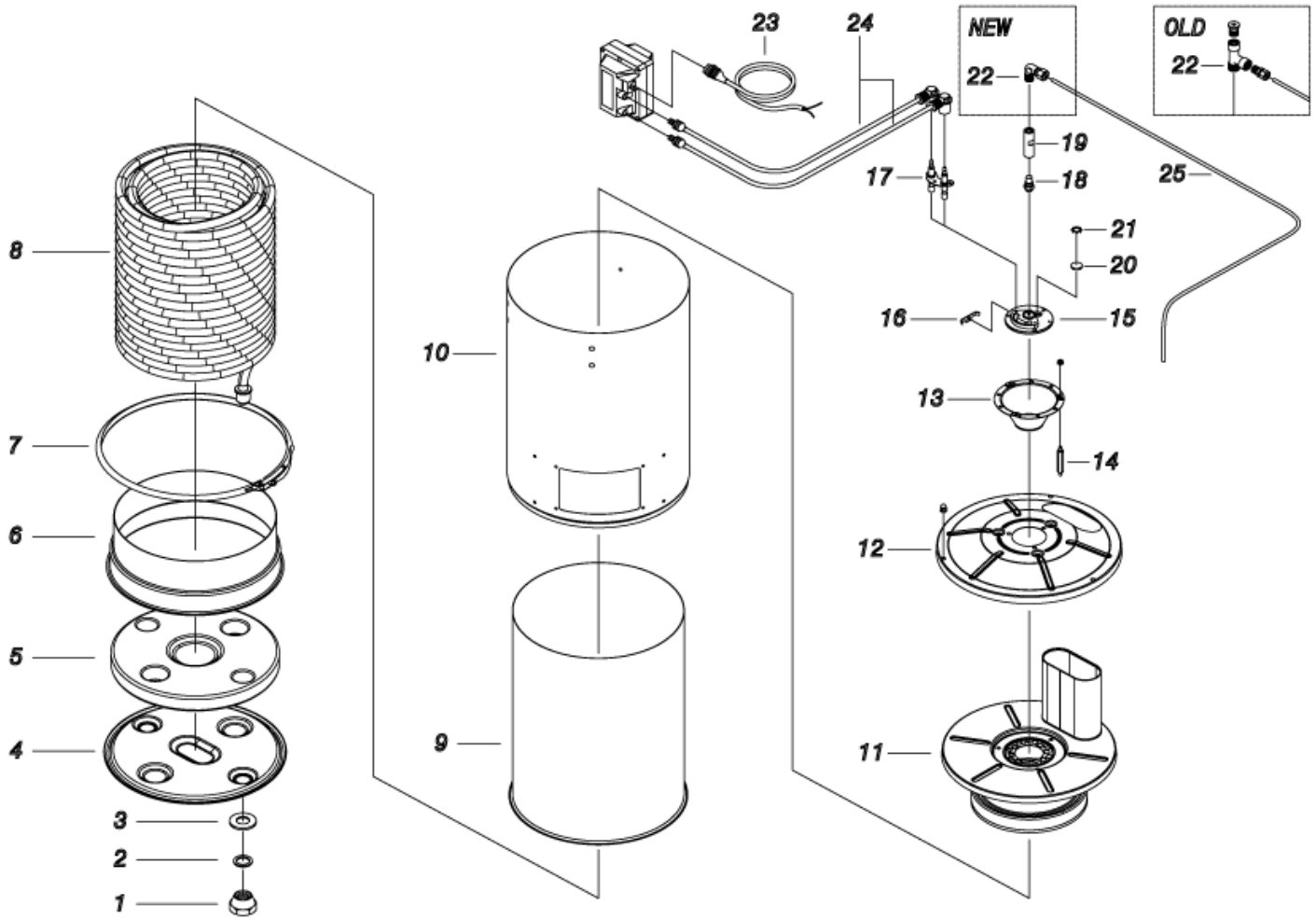
Ref.	K	Part N.	Customer Part N.	Description	Qty	Validity:		Price
						From	To	
0037		UGLN49991		NOZZLE LECH 1/4 2504	2,00	06/2006		--
0038		MPVR47727		CAP P176 RES.BK	1,00			--
0039		MPVR48402		RED THROTTLE P176 PP	1,00			--
0040		MEVR27264		FUSE-HOLDER 031-1081	1,00			--
0041		LAFN40155		BRACKET P176-4W DX ZC.	1,00			--
0042		LAFN40156		BRACKET P176-4W SX ZC.	1,00			--
0043		LAFN40154		BRACKET P176-4W BK.	1,00	01/2009		--
0044		MPVR32406		PROD D.10	1,00		12/2008	--
0044		ABGO34061		VIBRATION DAMP.CL.25X17- 1M6X12 60SH NBR	1,00	01/2009		--
0045		VTVR40005		HANDWHEEL M10MAX100 THP D.50 3 LB.	1,00		12/2008	--
0045		MEVR00250		SHEATH D. 12 T.	0,05		12/2008	--
0045		MLML11917		SPRING D. 14.5 X24 X2.2	1,00	01/2009		--
0046		MPVR28178		TRIGGER MTH PL.	1,00	01/2009		--
0047		LAFN44059		WEIGHT T.1000	1,00	01/2009		--
0049		VTVT00447		SCREW TE 8X25 UNI5739	2,00	08/2012		--
0050		VTRS00513		WASHER D. 8 X32 P.	2,00	08/2012		--
0051		VTRS73055		WASHER D.44x26x4	2,00	08/2012		--



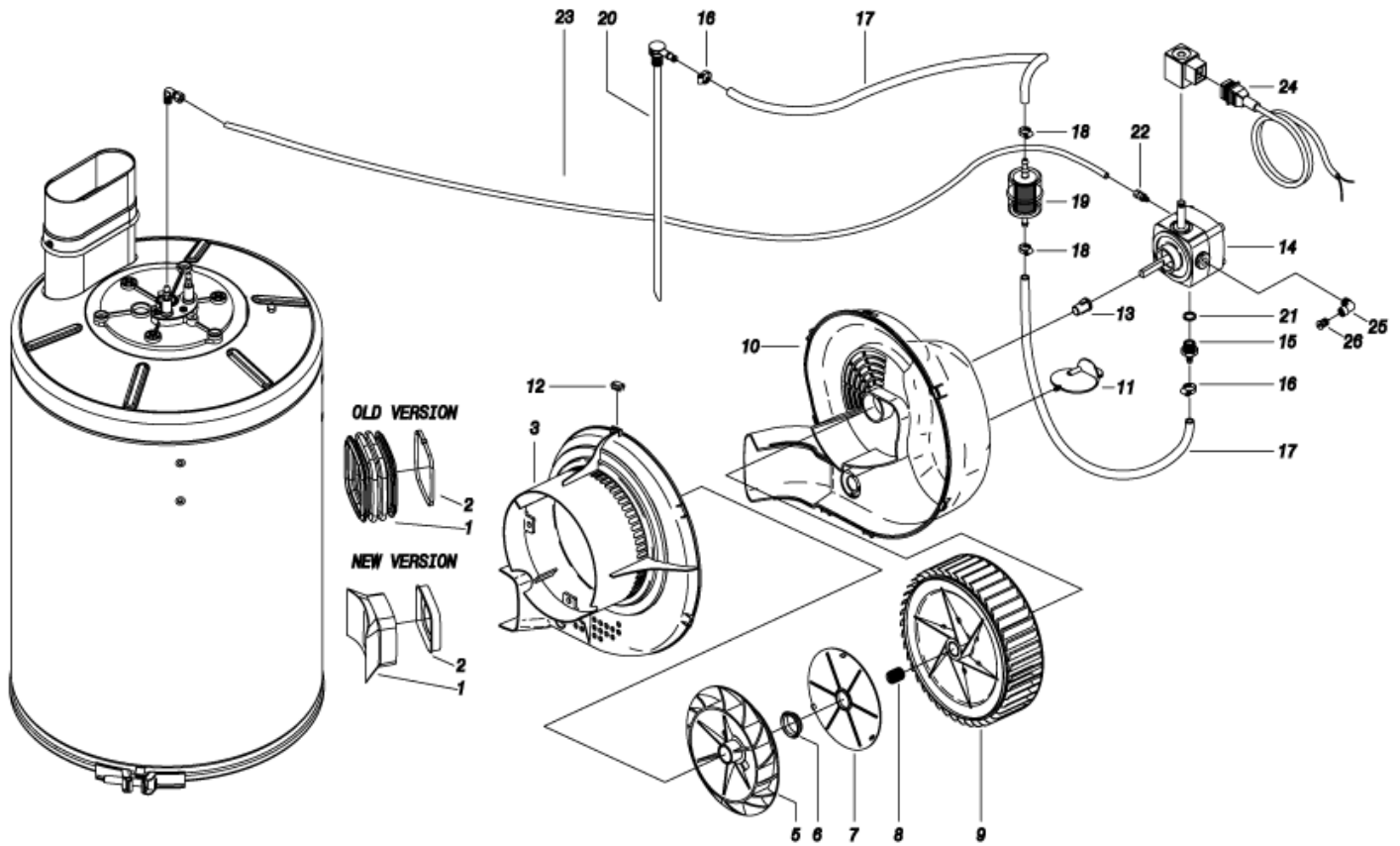
Ref.	K	Part N.	Customer Part N.	Description	Qty	Validity:		Price
						From	To	
0001		RCVR29600		SOCKET PTC 3/4 F	1,00			--
0002		RCVR37806		REDUCTION PTC 3/4-1/2 M/F	1,00			--
0003		GUGO37736		GASKET D. 10- 19 X 5 70SH	1,00			--
0004		RCDS49875		RING NUT 1/2"X 6 CH.27 OT.	1,00			--
0005		FTAC30214		FILTER D.15X67	1,00			--
0006		VTRS00549		WASHER D.21,5X27X1.5 (1/2) RM	1,00			--
0007		TBBP46227		L.P. HOSE L= 650 3/4F 90°- 1/2M	1,00		01/2011	--
0007		TBBP48636		L.P. HOSE L= 950 3/4F 90°- 1/2M 0°	1,00	01/2011		--
0008		RCGR40005		FLOATER MTM 3/4 PP. S/F. +ADP.176	1,00	01/2011		--
0008		RCGR60703		FLOATER MTM 3/4 PP. S/F.	1,00		01/2011	--
0008		RCVR49974		RING NUT 3/4" X 4 NIK	1,00	01/2011		--
0010		FSVR00431		CLAMP D. 16-25	1,00			--
0011		TBBP40010		L.P. HOSE L=230 3/4F 90° -LIB.15X23	1,00			--
0012		FTAC23737		SUCTION FILTER ST 33 3/4" MF	1,00	10/2009		--
0012		FTAC91274		WATER FILTER 3/4 M.F.	1,00		09/2009	--
0013		RCDS46146		NIPPLE 3/4 - 1/2 CB D. 7.5	1,00			--
0014		RCVR04870		TEE UNION 1/2 F/M/F NIK A 12	1,00			--
0015		PPAP40020		PUMP "63" EL1413V DX T.OT.H SX	1,00			--
0016		GUGO21337		O-RING D. 25.07 X 2.62 VIT 70SH	1,00			--
0017		RCDS25578		BUSHING IP WW141 OT.	1,00			--
0018		GUGO21339		O-RING D. 29.82 X 2.62 VIT 70SH	1,00			--
0019		MOTR40010		3PH MOTOR P245 HP 6 400-504P H100E	1,00	04/2011		--
0019		MOTR88363		3PH MOTOR P245 HP 6 400-504P H100	1,00		04/2011	--
0020		GUGO03507		O-RING D. 13.95 X 2.62 VIT 70SH	1,00			--
0021		RCDS21480		NIPPLE 3/8 - 3/8 SV S.OR	1,00			--
0022		TBAP40026		HOSE-FITTING 3/ 8 R1 L=510 3/8F90°-90°	1,00			--
0023		RCVR40016		CONNECTOR T 3/8 F/M/F OT. A.P.	1,00			--
0024		VTRS00548		WASHER D.17,5X23X1,5 (3/8)RM	1,00			--
0025		RCDS00610		NIPPLE 3/8 - 3/8 SV	1,00			--
0026		TBAP40025		HOSE-FITTING 3/ 8 R1 L=245 3/8F90-PM26	1,00			--
0027		VVSC47427		VALVE MG 1000 G1/4M-M D.8 250B	1,00			--
0028		TBAP46228		HOSE-FITTING 3/ 8 VP L=485 M26+3/8F-P.	1,00			--
0029		RCDS21120		RING NUT M 26 X 1,5	1,00			--
0031		RCIN09348		MALE COUPLING 3/8MA L=32	1,00			--
0032		RCVR02606		REDUCTION 1/2-1/4 M/F	1,00			--
0033		RCDS46072		VALVE BODY N/R 1/4F-1/4 P176 OT	1,00	11/2009		--
0034		MLML21505		SPRING D. 8 X5 X0.3	1,00	11/2009		--
0035		SFVR04274		BALL D. 7/32	1,00	11/2009		--
0036		GUGO01055		O-RING D. 5.28 X 1.78 VIT 70SH	1,00	11/2009		--



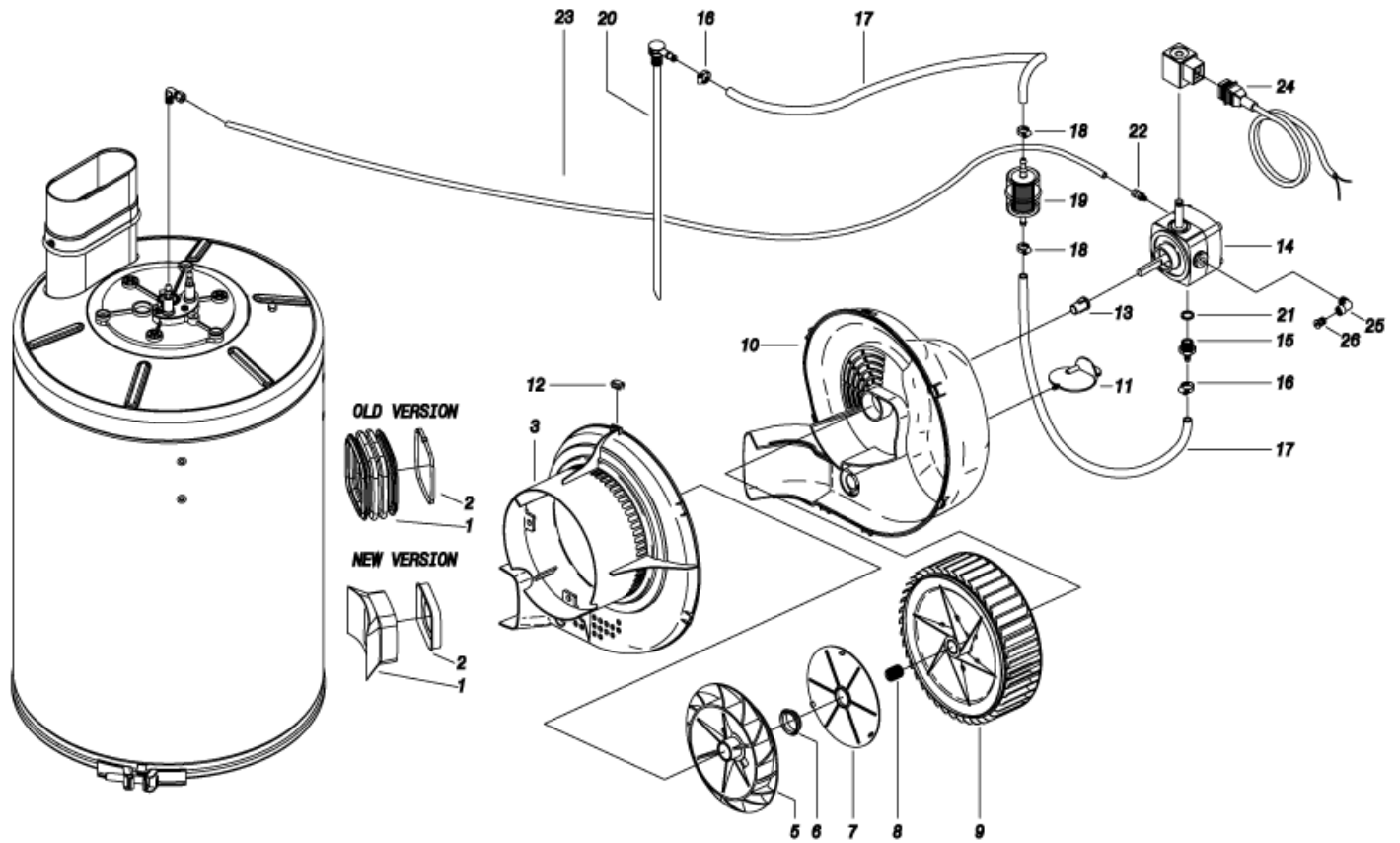
Ref.	K	Part N.	Customer Part N.	Description	Qty	Validity:		Price
						From	To	
0037		GUGO01036		O-RING D. 10.82 X 1.78 NBR 70SH	1,00	11/2009		--
0038		RCDS10546		VALVE SEAT 1/4M + PG. D.3-7.5 OTT	1,00	11/2009		--
0039		FSVR00427		CLAMP D. 12 CLIC 66-110	2,00			--
0040		TBBP00051		DETERGENT HOSE D. 6-12	0,78			--
0040		TBBP00051		DETERGENT HOSE D. 6-12	1,25			--
0041		RCGR08069		TAP BODY DET. PRT	1,00			--
0042		GUGO08071		O-RING D. 4.48 X 1.78 NBR 70SH	1,00			--
0043		GUGO12183		O-RING D. 23.4 X 3.53 VIT 70SH	1,00			--
0044		RCGR08070		ADJUSTER PRT	1,00			--
0045		VTRS00542		WASHER D.14X20	1,00			--
0046		MLML08068		SPRING D.1,5 L.23	1,00			--
0047		RCDS46087		SUCTION L=400 CPL	1,00			--
0048		RCVR62671		ELBOW 3/8"-1/4" M.A.P. OT.MTM	1,00			--
0049		TBAP40006		POLYAMIDE HOSE L=420 1/4 F-F	1,00			--
0050		MNMN49621		PRESSURE GAUGE 0-250 D.50 INOX	1,00			--
0051		TBBP00058		L.P. HOSE D. 4- 7	0,72	10/2011		--
0052		FSVR00427		CLAMP D. 12 CLIC 66-110	1,00			--
0052		FSVR00427		CLAMP D. 12 CLIC 66-110	1,00			--
0053		RCDS21788		RING NUT M 28 X 1.5 L=16	1,00			--
0054		VTDD21787		NUT M28X1.5 L=5	1,00			--
0055		PVVR18673		KNOB COLT	1,00			--



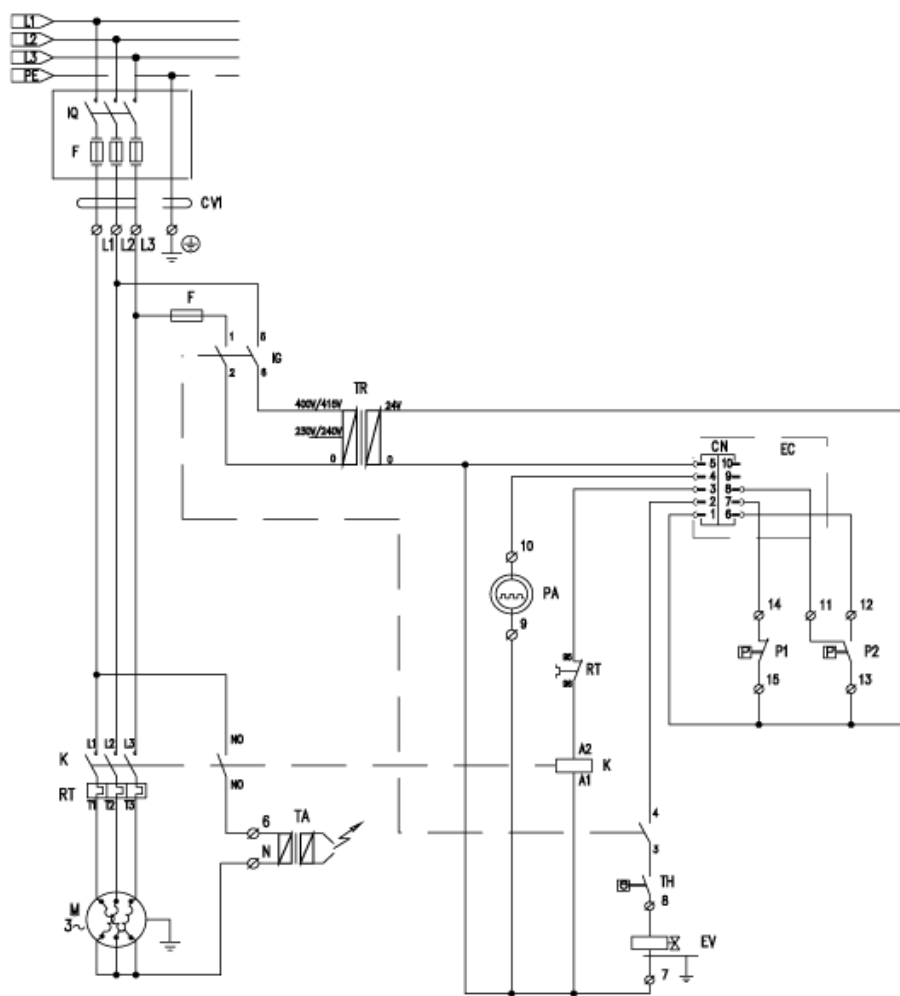
Ref.	K	Part N.	Customer Part N.	Description	Qty	Validity: From	To	Price
0001		RCDS21120		RING NUT M 26 X 1,5	2,00			--
0002		GUGO21222		O-RING D. 15.54 X 2.62 VIT 80SH	2,00			--
0003		GUVR21021		ANTI-EXTR.RING D. 21 X17 TEF.	2,00			--
0004		LAFN44149		BOILER BOTTOM P176	1,00	03/2013		--
0005		ITTE44175		BOTTOM P176 C.TE	1,00	03/2013		--
0006		LAFN44151		BAND P176 INX	1,00	03/2013		--
0007		LAFN40037		RING D.342 P176 ZN 2V.CPL.	1,00	03/2013		--
0008		LAGR44154		DOUBLE COIL M26X1.5 P176 30MT	1,00	03/2013		--
0009		LASL40101		INT. CYLINDER PM INX	1,00	03/2013		--
0010		LAFN40274		EXT. CYLINDER PM-176 INX	1,00	03/2013		--
0011		LAFN40269		BOILER COVER SIPM INX	1,00	03/2013		--
0012		LAFN40270		BOILER COVER SEPM INX	1,00	03/2013		--
0013		LAFN44244		BAFFLE P176 30M INX	1,00	03/2013		--
0014		LAFN40271		PIN CH.10 X 67.7 M5M/M5M PM	3,00	03/2013		--
0015		MFVR18226		ELECTR.HOLDER FUT 3°V	1,00	03/2013		--
0016		LAFN07641		PLATE INX	1,00	03/2013		--
0017		MECA12525		ELECTRODE FUT	1,00	03/2013		--
0018		UGBR22576		BURNER NOZZLE 1.35 60 S	1,00	03/2013		--
0019		RCDS07642		NOZZLE HOLDER FUT	1,00	03/2013		--
0020		MPVR18228		OIL WARN-LIGHT D.17 X3	1,00	03/2013		--
0021		VTAE22633		SEEGER 0.4 X18,30X10,5	1,00	03/2013		--
0022		RCVR08954		ELBOW 1/8"-4 B5	1,00	03/2015		--
0022		RCVR14014		BI-CONE CONNec.DTT 1/8"M B1 D. 2/ 4 NIK	1,00	07/2013	10/2013	--
0022		RCVR40126		BI-CONE CONNec.T 1/8"M/F D. 4/ 6C NK.	1,00	11/2013	02/2015	--
0022		RCVR72867		CONNECTOR A "T" 1/8" FFM	1,00	07/2013	10/2013	--
0022		RCVR89230		CAP G 1/8 M C/O-RING.	1,00	07/2013	02/2015	--
0023		MECB34463		CABLE BT L=800 SP.	1,00			--
0024		MECV35335		CABLE A.T. 9,8-23KOHM/M L= 500P	2,00			--
0025		TBCO40041		DIESEL HOSE P176 30MT D. 4 IX	1,00	07/2014		--
0025		TBCO46140		DIESEL HOSE P176 30MT D. 4	1,00		07/2014	--



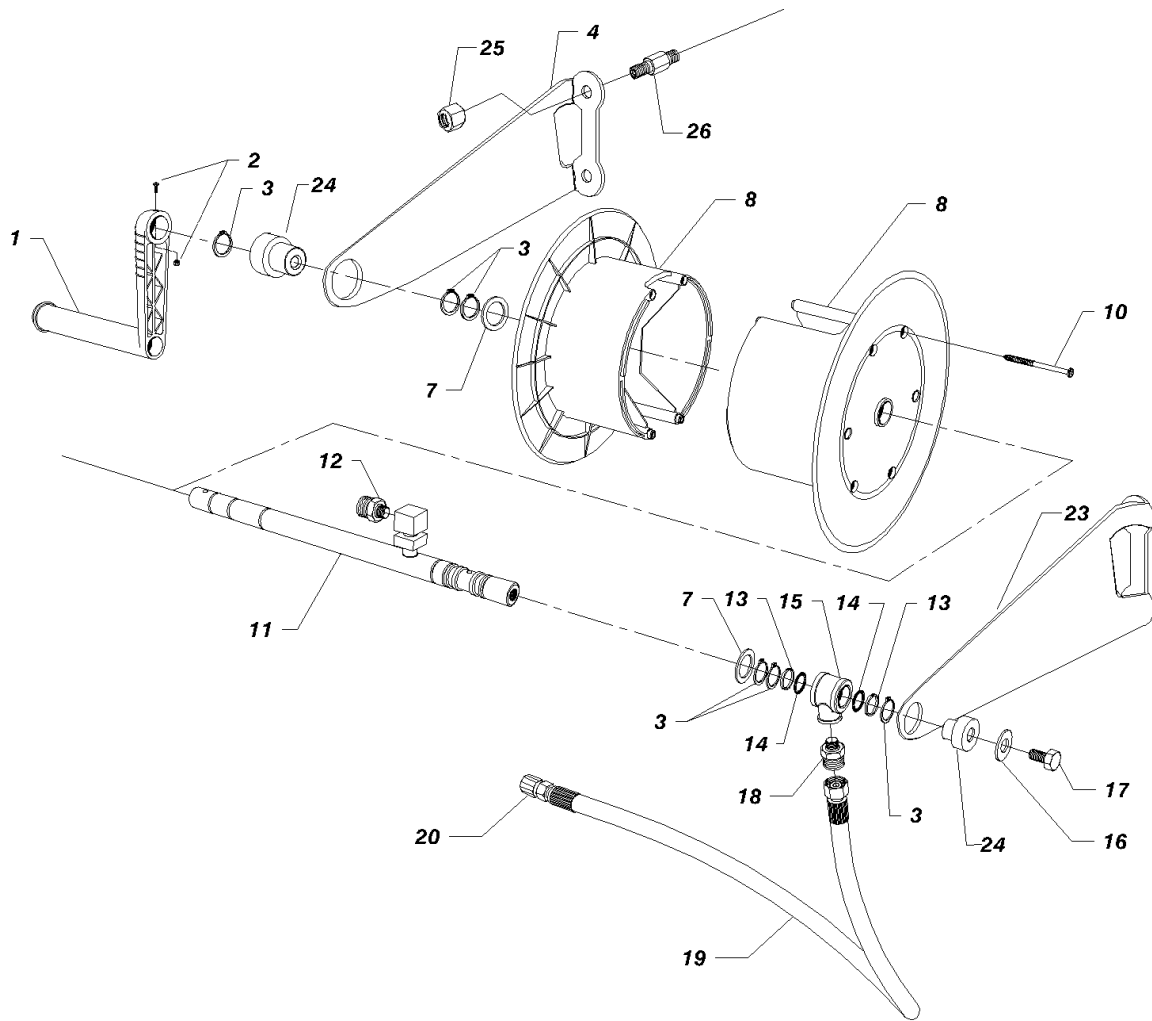
Ref.	K	Part N.	Customer Part N.	Description	Qty	Validity:		Price
						From	To	
0001		MPVR88426		CONVEYOR P190 PA6 BK.	1,00	03/2013		--
0002		GUGO88425		GASKET P245 EPDM	1,00			--
0003	E	MPVR45488		SCROLL BODY P176 PP	1,00			--
0005		VEVR45443		MOTOR FAN P176 H 100	1,00			--
0006		LAFN45783		BUSHING D. 30 P176	1,00			--
0007	E	MPVR45444		SEPARATOR P176 ABS	1,00			--
0008		VTVR45002		BUSHING D. 17-19X19 CPS.	1,00			--
0009		VEVR88781		IMPELLER P176 D.240 43P. 2V. PA6	1,00			--
0010	E	MPVR45489		VENTILATOR COV.P176 ABS	1,00			--
0011	E	MPVR45445		BUTTERFLY VALVE P176 PP	1,00			--
0012	E	VTVR20127		CLIP KSM	8,00			--
0013		FGGT36513		JOINT HP 0.25 AACO	1,00			--
0014		PPGS40004		FUEL PUMP DNF BFA 01R5L1	1,00			--
0015		RCDS00626		HOSE FITTING 1/4 M.D. 5-7	1,00			--
0016		FSVR00427		CLAMP D. 12 CLIC 66-110	2,00			--
0017		TBCO06945		L.P. HOSE D. 6-12 10BAR C.PRESS	0,20			--
0017		TBCO06945		L.P. HOSE D. 6-12 10BAR C.PRESS	0,80			--
0018		FSVR11197		CLAMP D.I. 11 13315	2,00			--
0019		FTCO34840		FUEL FILTER FB 7/A NYL.	1,00		04/2010	--
0019		FTCO40003		FUEL FILTER FB 7/TA 60mc NYL.	1,00	04/2010		--
0020		RCDS46087		SUCTION L=400 CPL	1,00			--
0021		VTRS04931		WASHER COPPER D.13X19X1.5	1,00			--
0022		RCVR14014		BI-CONE CONNec.DTT 1/8"M B1 D. 2/ 4 NIK	1,00			--
0024		MECB46130		CABLE DLT L=1100	1,00			--
0025		RCVR34780		ELBOW 1/8" M/F A10	1,00	03/2015		--
0026		RCVR89230		CAP G 1/8 M C/O-RING.	1,00	03/2015		--



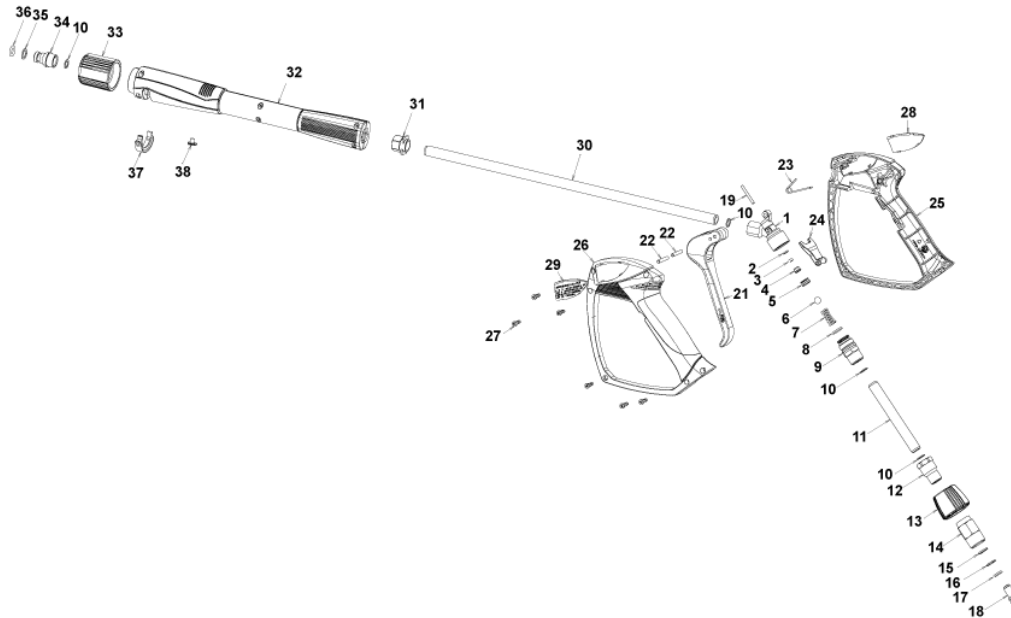
Ref. Part N.	Cust. Part N.	Description	Reference	Price
KTRI40032		KIT PX 2- 6 VENT.P176	0003 0007 0010 0011 0012	--



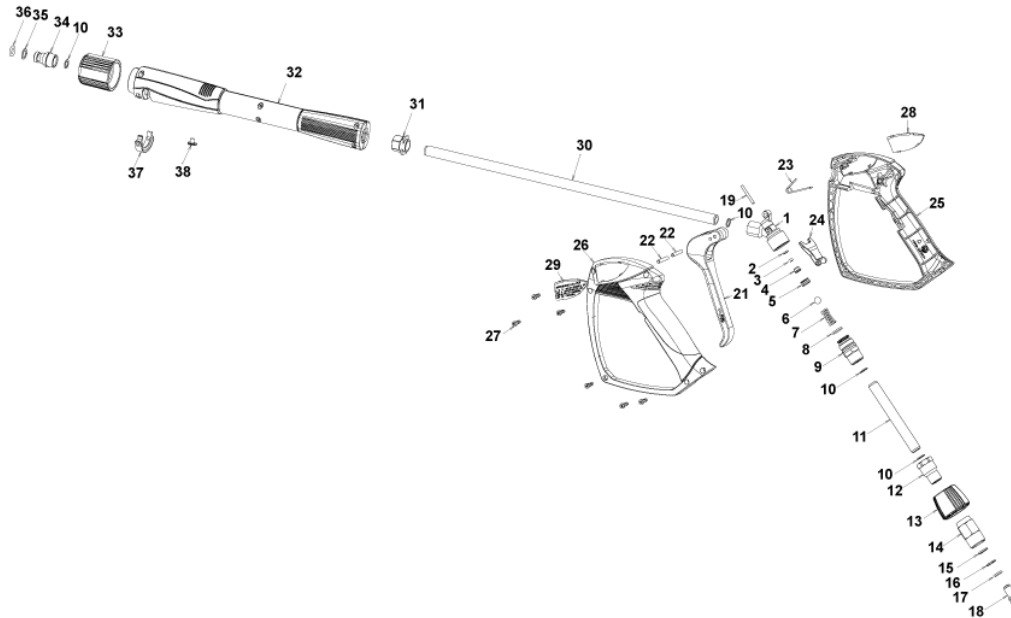
Ref.	K	Part N.	Customer Part N.	Description	Qty	Validity:		Price
						From	To	
F		MEVR02824		FUSE 5X20 1A	1,00			--
K		METT40008		CONTACTOR SIE 3RT 2016-1AB01 24V	1,00	10/2014		--
K		METT43990		CONTACTOR SIE 3RT 1017 1AB01 5/60HZ	1,00		09/2014	--
EC		MECE48580		PCB P190 T-ST/MP V.PLUS	1,00			--
EV		MEBE43704		COIL DNF 24-50	1,00			--
IG		MECI40017		COMMUTAT.SWITCH0-1-2 UN.	1,00	01/2011		--
IG		MECI40544		COMMUTAT.SWITCH0-1-2 HD12H022-R000	1,00		01/2011	--
P1		MEPF40009		PRESSURE SWITCHPR 5 3/8M 25BAR	1,00	06/2012		--
P1		MEPF45229		PRESSURE SWITCHMTM 3/8M NA/NC 25B. MICRO	1,00		05/2012	--
P2		MEPF39902		PRESSURE SWITCHMTM 1/4M NA/NC 25B. MICRO	1,00		05/2012	--
P2		MEPF76254		PRESSURE SWITCHPR 5 1/4M 25BAR	1,00	06/2012		--
PA		MEPD45940		DESCALING PUMP NME 1 24V 50/60HZ	1,00			--
RT		METT40034		THERMAL RELAY SIE 3RU2116-1KB0 9-12.5A	1,00	10/2014		--
RT		METT45028		THERMAL RELAY SIE 3RU1116-1KB0 9-12 A	1,00		09/2014	--
TA		METR88630		TRANSFORMER 23/240V-5/60HZ 2X26KV TR.	1,00			--
TH		METK19354		THERMOSTAT 0-150° L=1500	1,00		12/2010	--
TH		METK40011		THERMOSTAT 0-150° L=1500 F&C	1,00	01/2013		--
TR		METR40003		TRANSFORMER 35VA 230-400/24 5/60HZ PM	1,00			--
CV1		MECB10518		CABLE H07 RNF 4X1.5 L=6.500	1,00			--
CV1		MEVR46573		PLUG WMX 16A 3P+N+T INV.F IP44	1,00			--



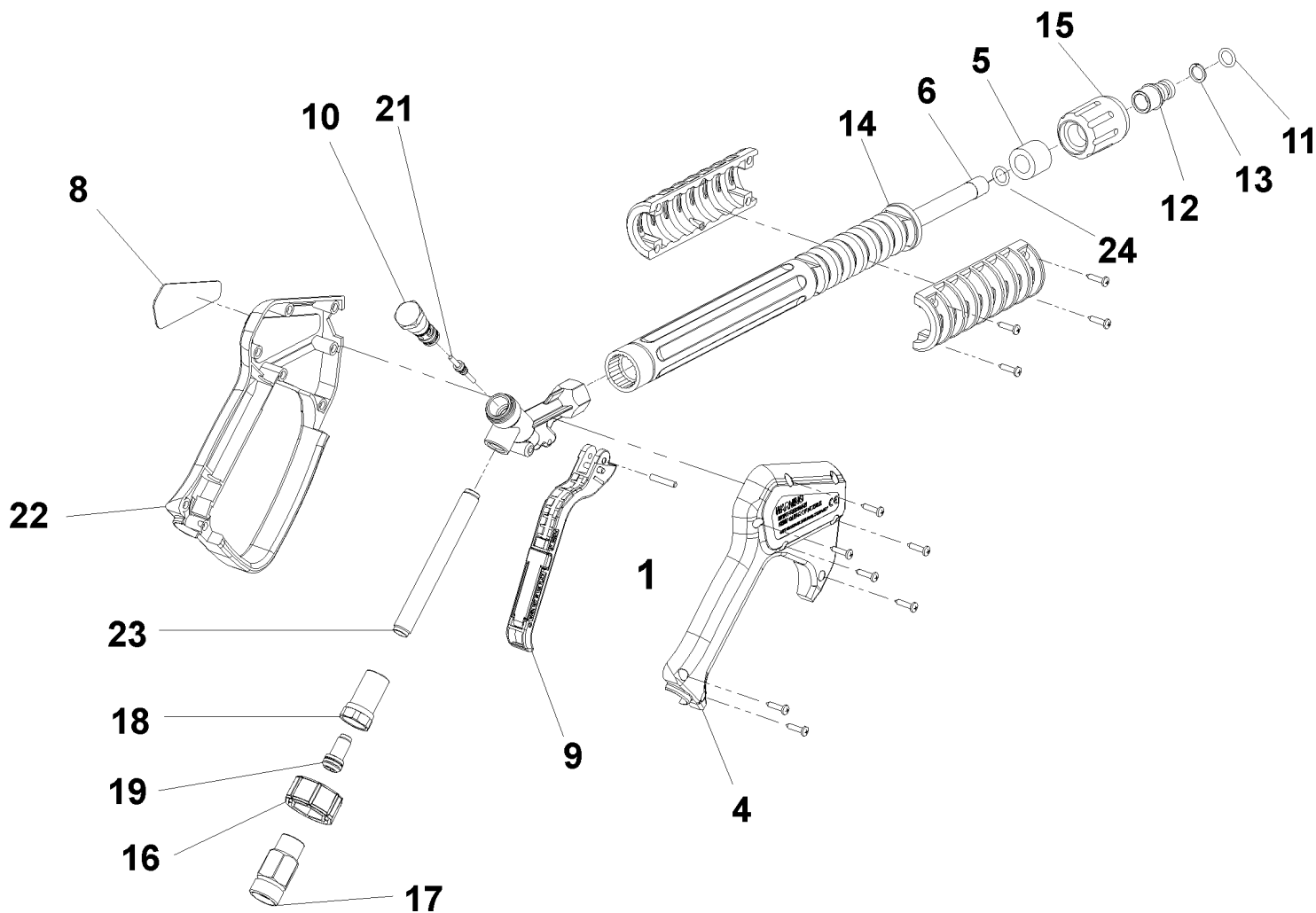
Ref.	K	Part N.	Customer Part N.	Description	Qty	Validity:		Price
						From	To	
0001		MPVR31495		HANDLE PRT D. 3.5	1,00			--
0002		VTVT43875		SCREW TSPEI 4X40 UNI5933	1,00			--
0003		VTAE33674		CIRCLIP D. 22 UNI 7435	3,00			--
0003		VTAE33674		CIRCLIP D. 22 UNI 7435	3,00			--
0004		LAFN45824		HOSE WIND.SUPP.P176 DX	1,00			--
0006		VTVT29165		SCREW AF TCB-TC 5 X20 TL	8,00		09/2007	--
0007		VTRS04924		WASHER D.23X 39	1,00			--
0008		MPVR37152		HOSE REEL PRT PP	2,00		09/2013	--
0008		MPVR40581		HOSE REEL PRT.ANM PP	2,00	10/2013		--
0011		LAFN37663		AXLE PRT	1,00		06/2003	--
0011		LAFN48953		AXLE PRT 2V. 3PZ.	1,00	06/2003		--
0012		RCIN10577		MALE COUPLING 1/4MA	1,00			--
0012		VTDD04369		NUT M 4 TEF UNI 7473	1,00			--
0013		GUVR37665		ANTI-EXTR.RING D.17.8X22 X1.5 PTFE	2,00			--
0014		GUGO01032		O-RING D. 17.13 X 2.62 NBR 70SH	2,00			--
0015		RCDS37667		BLOCK PRT OT.	1,00		06/2010	--
0015		RCDS89862		BLOCK PRT-P237 G3/8 OT.	1,00	06/2010		--
0016		VTRS00514		WASHER D.10X30X11.4	1,00			--
0017		VTVT00454		SCREW TE 10X16	1,00			--
0018		RCDS00608		NIPPLE 3/8 - 1/4 SV	1,00		06/2010	--
0018		RCDS00610		NIPPLE 3/8 - 3/8 SV	1,00	06/2010		--
0019		TBAP25930		HOSE-FITTING 5/16 R2 L=630 0- 0° 3/8F	1,00			--
0020		RCIN03755		FEMALE COUPLIN.3/8MB	1,00			--
0023		LAFN45826		HOSE WIND.SUPP.P176 SX	1,00			--
0024		MPVR45822		BUSHING D.28-38/22.5 L=24.5 PVC N	1,00			--
0024		MPVR45822		BUSHING D.28-38/22.5 L=24.5 PVC N	1,00			--
0025		VTDD01692		NUT M 8 SERPRESS	4,00			--
0026		LAFN46201		PIN CH.17 X 19 M8M/M8M P176	4,00			--



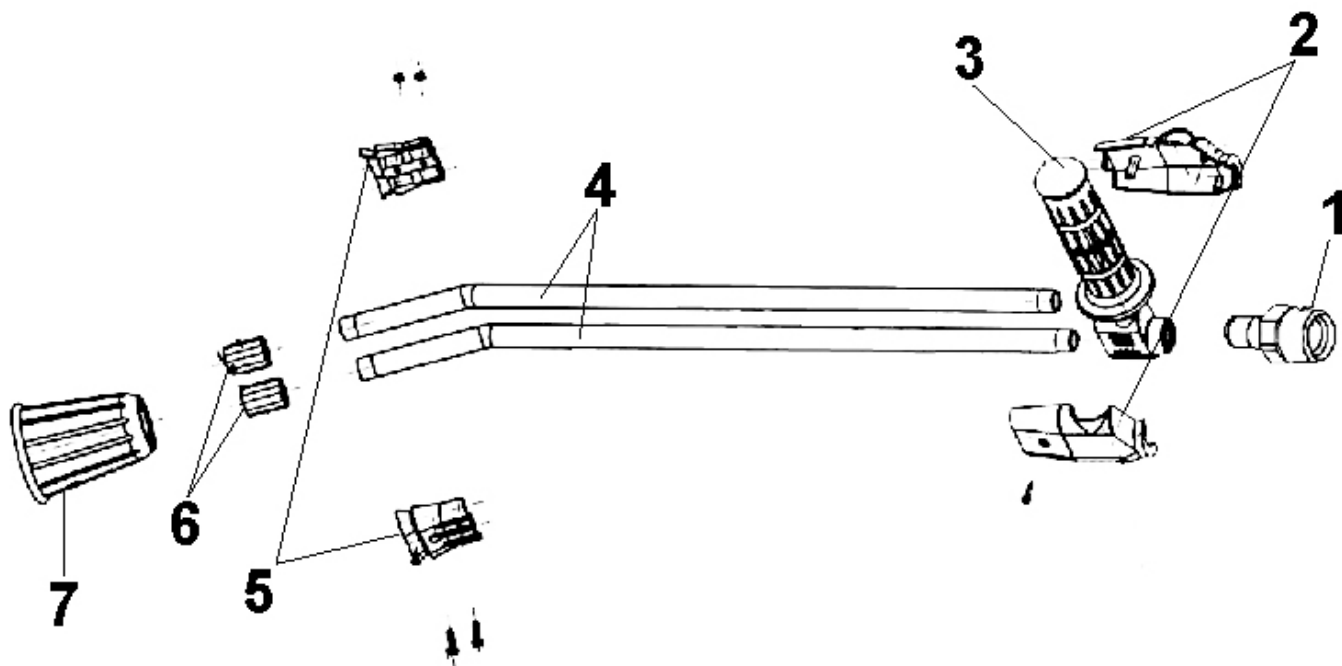
Ref.	K	Part N.	Customer Part N.	Description	Qty	Validity:		Price
						From	To	
0001		PVVR40381		GUN BODY G 5100 G1/4F	1,00			--
0002	S	GUVR40074		ANTI-EXTR.RING D. 3 X 7.4X1.3	1,00			--
0003	S	GUGO21835		O-RING D. 2.84 X 2.62 VIT. 80SH	1,00			--
0004		PVVR40382		PISTON GUIDE G 5100	1,00			--
0005	S	PVVR40112		BALL SEAT G 5000	1,00			--
0006	S	SFVR27026		BALL D.11/32" INX	1,00			--
0007		MLML40016		SPRING D. 9.4 x21.5x1.6 G5000	1,00			--
0008		GUGO12322		O-RING D. 14 X 1.78 NBR 90SH	1,00			--
0009		PVVR40383		CONNECTOR COLL.G5100 1/4F	1,00			--
0010		VTRS40017		WASHER D. 8,2X11,4X1,00 AL	4,00			--
0011		PVVR40384		TUBE G 1/4" L.105	1,00			--
0012		RCIN40022		CONNECTOR SWIV G5100 1/4F	1,00			--
0013		MPVR40486		RING NUT G 5100 SW. GR.	1,00			--
0014		RCIN40021		JOINT SWIV 5100 M22	1,00			--
0015	S	GUVR40075		ANTI-EXTR.RING D. 10 X14X1.5	1,00			--
0016	S	GUVR40076		ANTI-EXTR.RING D. 11.2X14X1.2	1,00			--
0017	S	GUGO15295		O-RING D. 10.82 X 1.78 VIT 80SH	1,00			--
0018		PVVR40386		SCREW SW. G 5100	1,00			--
0019		PVVR40387		SMALL PISTON G 5100	1,00			--
0021		MPVR40487		TRIGGER G 5100-SW	1,00			--
0022		VTVR40047		PLUG D. 4X29	2,00			--
0023		MLML40029		SPRING G 5100	1,00			--
0024		MPVR40488		SAFETY-DEVICE G 5100-SW	1,00			--
0025		MPVR40489		SHELL G 5100-SW DX	1,00			--
0026		MPVR40490		SHELL G 5100-SW SX	1,00			--
0027		VTVT40043		SCREW AF 4X 14 HILO ZN.N	6,00			--
0028		MPVR40491		PLATE G 5100 GR.DX	1,00			--
0029		MPVR40492		PLATE G 5100 GR.SX	1,00			--
0030		LCPR40086		TUBE 1/4 L=420 ZC. 0°	1,00			--
0031		MPVR40493		CONNECTOR G 5100-SW	1,00			--
0032		MPVR40494		PROTECTION P 420 C/AN.	1,00			--
0033		PVVR40119		CONNECTION M22X1,5 IRV G5000	1,00			--
0034		RCIN40009		GUDGEON G 1/4 F IRV G5000	1,00			--
0035		GUVR40034		ANTI-EXTR.RING D. 10 X14	1,00			--
0036		GUGO01946		O-RING D. 9.13 X 2.62 VIT 70SH	1,00			--
0037		MPVR40495		CAP G 5100 REM.	1,00			--
0038		MPVR40198		CAP G 5000	1,00			--



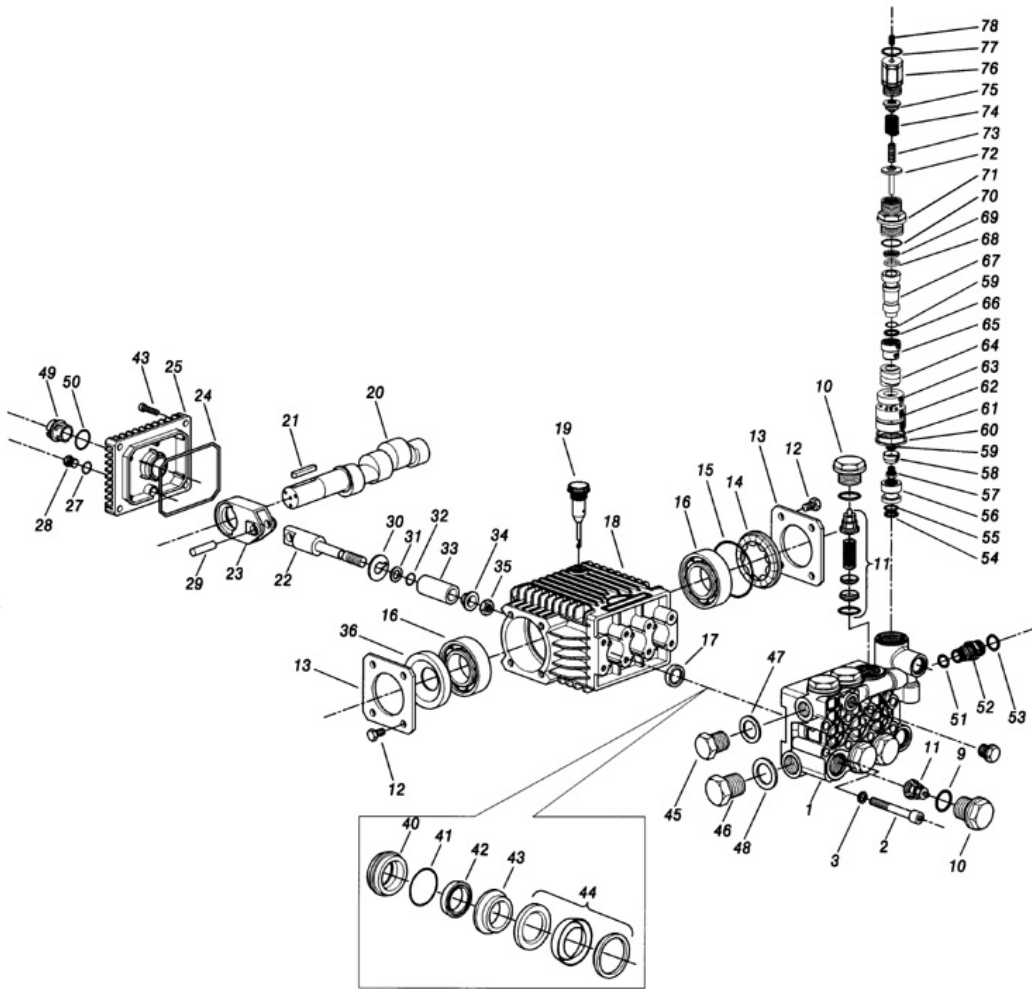
Ref. Part N.	Cust. Part N.	Description	Reference	Price
KTRI40242		KIT P 26- 25 G 5100	0002 0003 0005 0006	--
KTRI40243		KIT P 26- 25 SWIVEL G 5100	0015 0016 0017	--



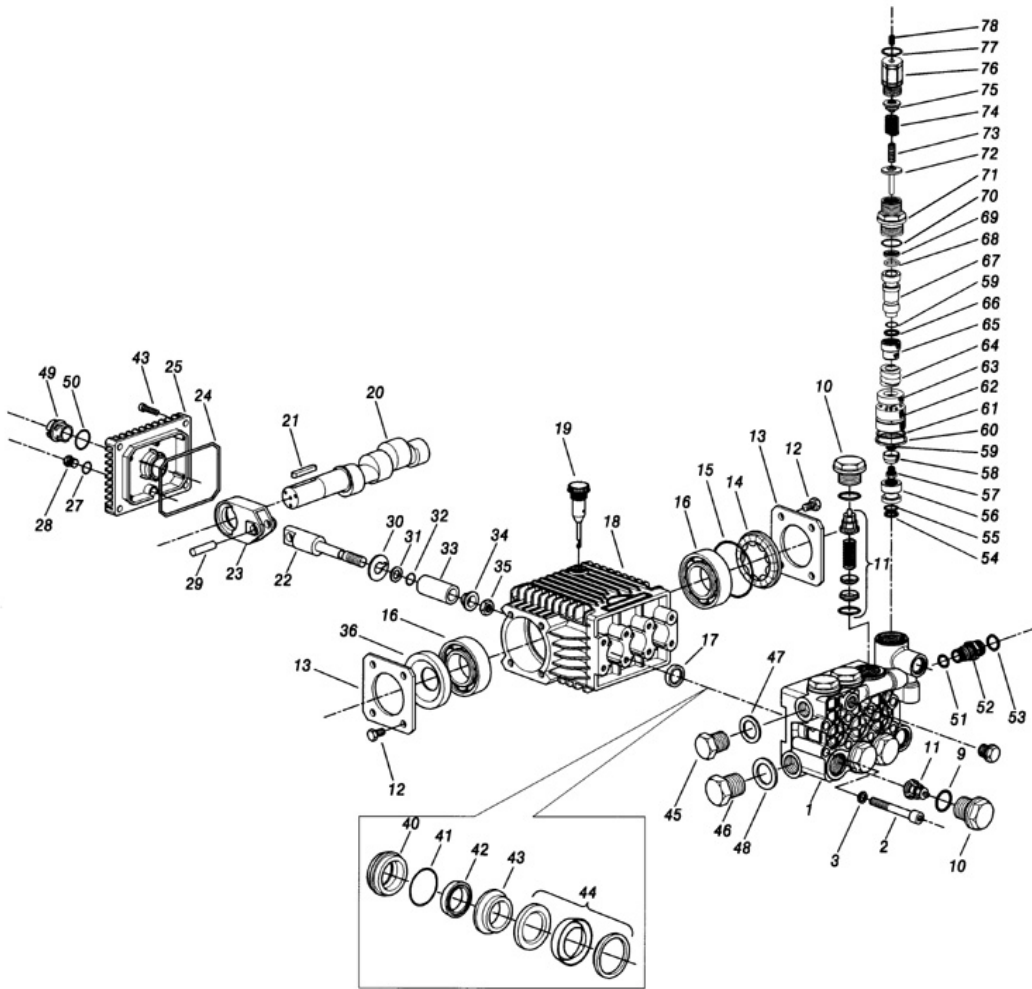
Ref. K	Part N.	Customer Part N.	Description	Qty	Validity:		Price
					From	To	
0001	VTVR46568		PLUG G 4500	1,00			--
0004	MPVR40157		COVER G 4500 2V.	1,00	05/2008		--
0004	MPVR46563		COVER G 4500	1,00		04/2008	--
0005	MPVR46572		SPACER P 330 ST	1,00			--
0006	LCPR40007		TUBE 1/4 L=352 ZC. 2V.	1,00	05/2008		--
0006	LCPR46571		TUBE 1/4 L=352 ZC.	1,00		04/2008	--
0008	MPVR46569		PLATE G 4500 RD.	1,00			--
0009	MPVR40057		TRIGGER G 4500 -SW	1,00			--
0010	PVVR40030		SMALL PISTON TM ST-2300	1,00			--
0011	GUGO10384		O-RING D. 10 X 2.2 VIT 80SH	1,00			--
0012	RCVR13030		GUDGEON G 1/4 F L=31.5	1,00			--
0013	GUVR10526		ANTI-EXTR.RING D.13.9X10.2 C.BZ	1,00			--
0014	MPVR46570		PROTECTION P 330 ST	1,00			--
0015	PVVR13445		CONNECTION M 22X1.5 L=45	1,00			--
0016	MPVR40058		RING NUT G4500 SW.	1,00			--
0017	RCIN40001		JOINT SWIV 4500 3/8"F	1,00		04/2008	--
0017	RCIN40005		JOINT SWIV 4500 3/8"F 2V.	1,00	05/2008		--
0018	RCIN31641		CONNECTOR SWIV 1500 F	1,00			--
0019	KTRI31645		KIT P 26- 14	1,00			--
0021	PVVR40031		ROD ST-2300	1,00			--
0022	MPVR40156		SHELL G 4500 2V.	1,00	05/2008		--
0022	MPVR46562		SHELL G 4500	1,00		04/2008	--
0023	PVVR40023		TUBE G 1/4" M/M P/SW.	1,00			--
0024	GUGO27021		O-RING D. 11 X 2.5 EPD 70SH	1,00	05/2008		--



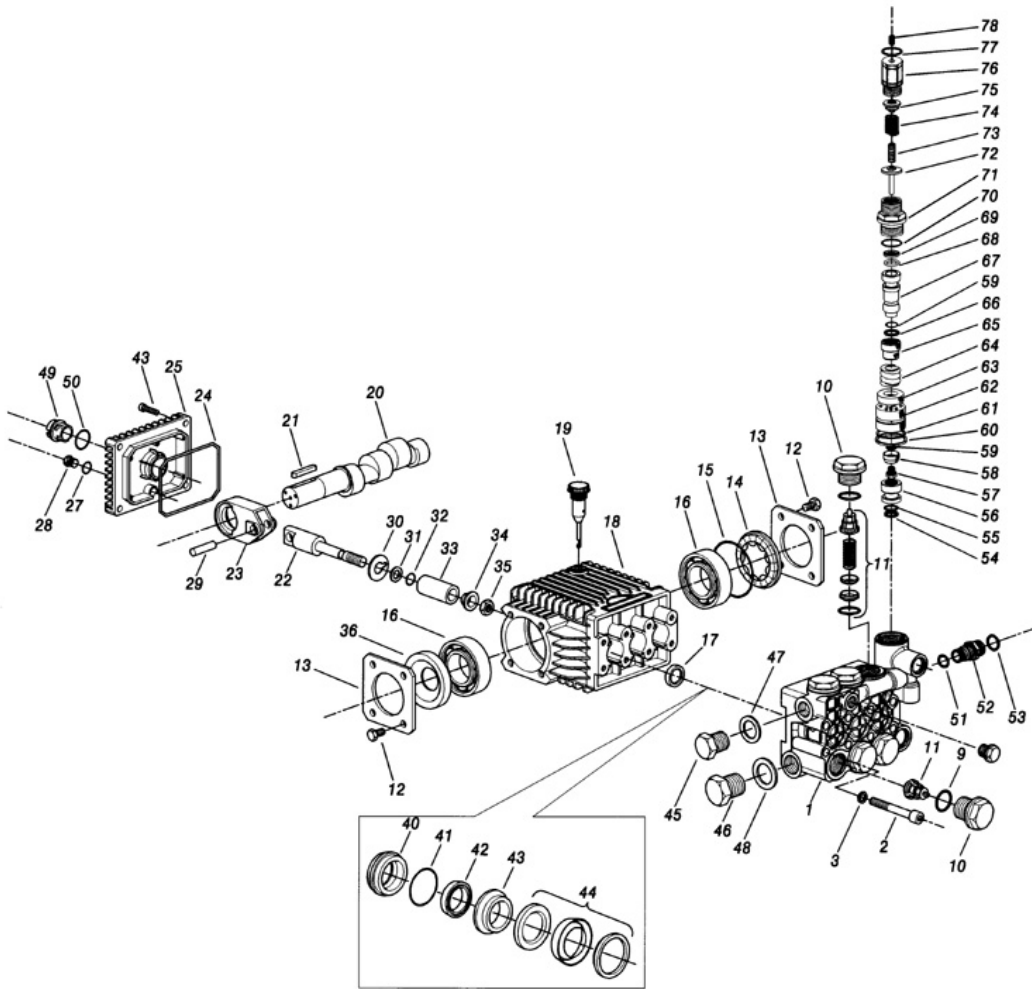
Ref. K	Part N.	Customer Part N.	Description	Qty	Validity:		Price
					From	To	
0001	PVVR45296		COUPLING G 1/4M -M22 M +PR.PLS	1,00			--
0002	MPVR45214		PROTECTION TB.1/4 MTM	1,00			--
0003	RCGR45737		TAP 1/8 F LD MTM	1,00			--
0004	LCPR45740		TUBE 1/8 L=660 INOX MTM	2,00			--
0005	MPVR45001		SHELL LD MTM	1,00			--
0006	RCVR45741		NOZZLE HOLDER 1/4-1/8 F MTM	2,00			--
0007	PVVR43810		PROTECTION L.D. MTM	1,00			--



Ref.	K	Part N.	Customer Part N.	Description	Qty	Validity:		Price
						From	To	
0001		MFVR40008		HEAD "63" D.18 V.INT.SX OT	1,00			--
0002		VTVT46018		SCREW TCEI M 8X 65 UNI 5931 TRP	8,00			--
0003		VTRS14242		WASHER D. 8.4X13X0.8 UNI7064 SCH	8,00			--
0009	S	GUGO19395		O-RING D. 20.24 X 2.62 NBR 70SH	6,00			--
0010	S	RCDS28466		CAP M24X1.5X17 "44"	6,00			--
0011	S	VVAM28467		VALVE UNIT "44" WW136-186	6,00			--
0012		VTVT01109		SCREW TE M 6X 10 ZC. UNI 5739	8,00			--
0013		MFVR03562		CRANKASE COVER W 70	2,00			--
0014		MFVR28454		SPACER "44"	1,00			--
0015		GUGO01040		O-RING D. 55.56 X 3.53 NBR 70SH	1,00			--
0016		CUVR09654		BALL BEARING 6305	2,00			--
0017	S	GUGO46019		OIL SEAL 18X 26X 6 -L.CM -NBR70SH	3,00			--
0018		MFVR46020		PUMP CRANKCASE "63"	1,00			--
0019		PVVR01089		OIL DIPSTICK W 70	1,00			--
0020		ALMO46021		SHAFT "63" N C.12 D.24	1,00			--
0021		VTVR45821		KEY 8X 7X22 UNI 6604	1,00			--
0022		PVVR46022		PISTON GUIDE "63"	3,00			--
0023		BLVR46023		CONNECTING ROD "63"	3,00			--
0024		GUGO18695		O-RING D. 101.27 X 2.62 NBR 70SH	1,00			--
0025		MFVR46024		CRANKASE COVER "63"	1,00			--
0026		VTVT01114		SCREW TCEI 6X14 UNI 5931	4,00			--
0027		GUGO01036		O-RING D. 10.82 X 1.78 NBR 70SH	1,00			--
0028		RCDS01088		CAP 1/4X 9 M WW90	2,00			--
0029		PVVR46025		GUDGEON D. 9X27,5 "63"	3,00			--
0030		VTRS46026		WASHER D. 9X25X0,5 "63"	3,00			--
0031		GUVR10257		ANTI-EXTR.RING WW161	3,00			--
0032		GUGO10464		O-RING D. 5.28 X 1.78 NBR 70SH	3,00			--
0033		PIVR28455		PISTON D.18 "44"	3,00			--
0034		VTRS46027		WASHER D. 8 C/CLL.	3,00			--
0035		VTDD04284		NUT M8X1,25 X13X5 S2 INX	3,00			--
0036		GUGO28465		OIL SEAL 25X 62X10 NBR70	1,00			--
0040	S	PVVR46028		PACKING RETAIN.D. 18 "63"	3,00			--
0041	S	GUGO01263		O-RING D. 28.30 X 1.78 NBR 70SH	3,00			--
0042	S	GUVR46029		PACKING D. 18 L.P. "63"	3,00			--
0043	S	PVVR46030		INTERMED. RING D. 18 "63"	3,00			--
0044	S	GUVR46031		PACKING D. 18 H.P. "63"	3,00			--
0045		RCDS01090		CAP 3/8X13 M WW90	1,00			--
0046		RCDS01091		CAP 1/2X10 M	1,00			--
0047		VTRS01074		WASHER D.17,05X22,3 X1,5	1,00			--



Ref.	K	Part N.	Customer Part N.	Description	Qty	Validity:		Price
						From	To	
0048		VTRS01075		WASHER D.21,5X27 ALL	1,00			--
0049		PVVR46032		OIL INDICATOR S."63"	1,00			--
0050		GUGO01044		O-RING D. 26.58 X 3.53 NBR 70SH	1,00			--
0051		GUGO19194		O-RING D. 11.11 X 1.78 NBR 70SH	1,00			--
0052		PVVR46785		CONNECTOR TS "63" VALV.H	1,00			--
0053		GUGO09720		O-RING D. 14 X 1.78 NBR 70SH	1,00			--
0054	S	GUVR11651		ANTI-EXTR.RING D. 10.6X15X2	1,00			--
0055	S	GUGO03501		O-RING D. 9.92 X 2.62 VIT 70SH	1,00			--
0056	S	PVVR12887		VALVE SEAT CONTROL SET W1	1,00			--
0057	S	VTVT18667		SCREW M 5X0,8X7,5	1,00			--
0058	S	PVVR18668		VALVE CLT	1,00			--
0059	S	GUGO03497		O-RING D. 6.75 X 1.78 VIT 80SH	2,00			--
0060	S	GUVR28469		ANTI-EXTR.RING D.22 X25X1,5	1,00			--
0061	S	GUGO08182		O-RING D. 21.91 X 1.78 NBR 70SH	1,00			--
0062	S	PVVR28470		VALVE GUIDE "44"	1,00			--
0063	S	PVVR28471		VALVE "44"	1,00			--
0064	S	MLML28472		SPRING D. 18.5 X11 "44"	1,00			--
0065	S	PVVR28473		SPACER "44"	1,00			--
0066	S	GUVR04309		ANTI-EXTR.RING HM	1,00			--
0067	S	PVVR28474		CONTROL PISTON "44"	1,00			--
0068	S	GUGO01946		O-RING D. 9.13 X 2.62 VIT 70SH	1,00			--
0069	S	GUVR01940		ANTI-EXTR.RING D. 9,5X14X1,5	1,00			--
0070		GUGO01037		O-RING D. 23.81 X 2.62 NBR 70SH	1,00			--
0071		PVVR28475		BUSHING "44"	1,00			--
0072		PVVR28476		SPRING PLATE "44" INF.	1,00			--
0073		MLML28477		SPRING D. 7.6 X29 "44"	1,00			--
0074		MLML11655		SPRING D.15X35	1,00			--
0075		PVVR11656		SPRING PLATE W1	1,00			--
0076		PVVR18672		REGISTER COLT	1,00			--
0077		GUGO01057		O-RING D. 20.35 X 1.78 NBR 70SH	1,00			--
0078		VTVT20196		SCREW EI-ST 8X20 UNI5923	1,00			--
0080		MLML39786		SPRING D. 7.5 X 37.5 INX	1,00			--



Ref. Part N.	Cust. Part N.	Description	Reference	Price
KTRI28508	KIT P	15-123	0011	--
KTRI28510	KIT P	15-124	0009 0010	--
KTRI28526	KIT P	137	0054 0055 0056 0057 0058 0059 0060 0061 0062 0063 0064 0065 0066 0067 0068 0069	--
KTRI46033	KIT P	15-159	0017	--
KTRI46034	KIT P	15-161	0042 0044	--
KTRI46035	KIT P	15-163	0040	--
KTRI46036	KIT P	15-165	0043	--
KTRI46037	KIT P	15-167	0040 0041 0042 0043 0044	--