



**IPC Integrated Professional Cleaning**

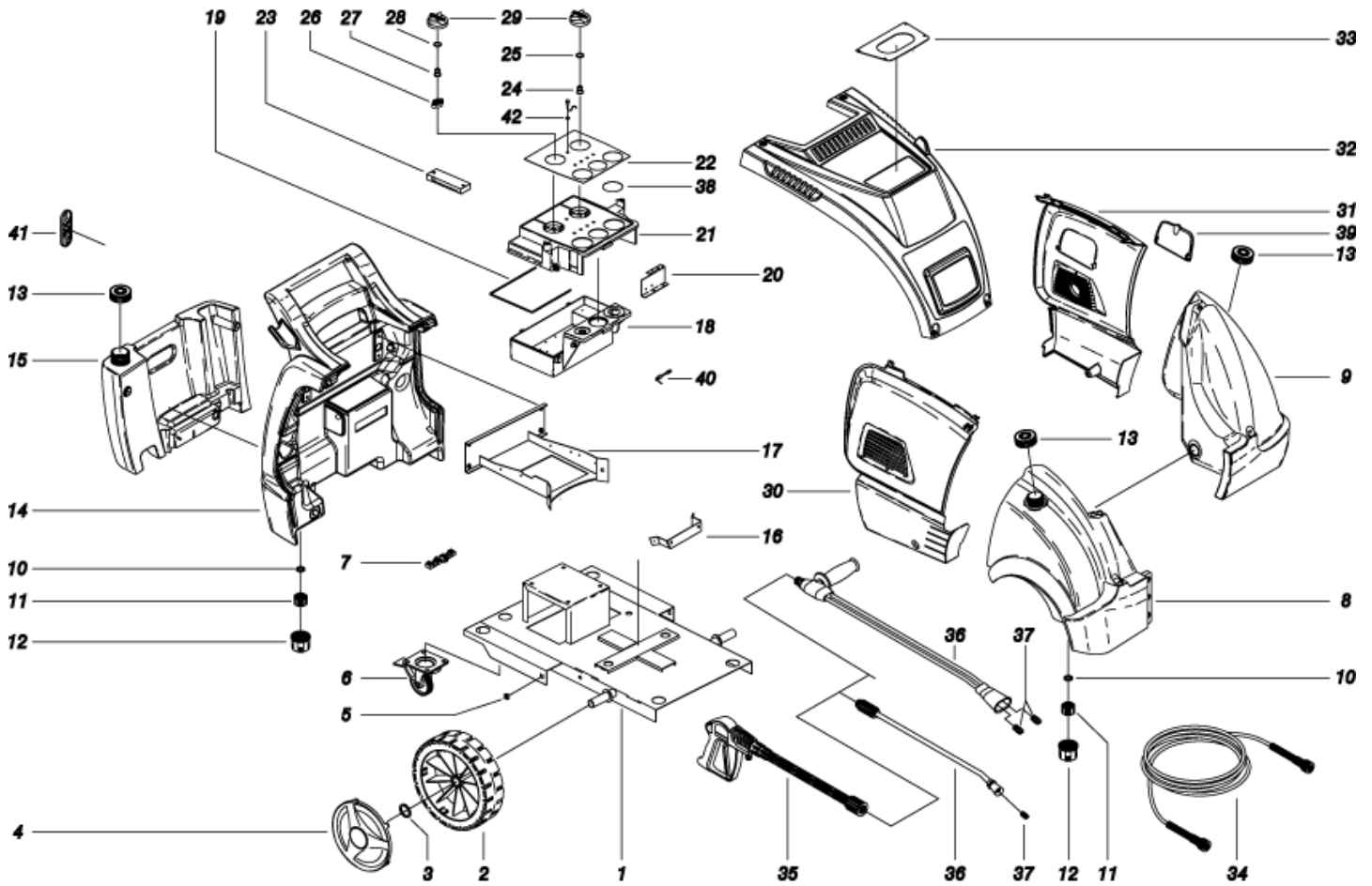
**IPC Portotecnica**

## Spare Parts List

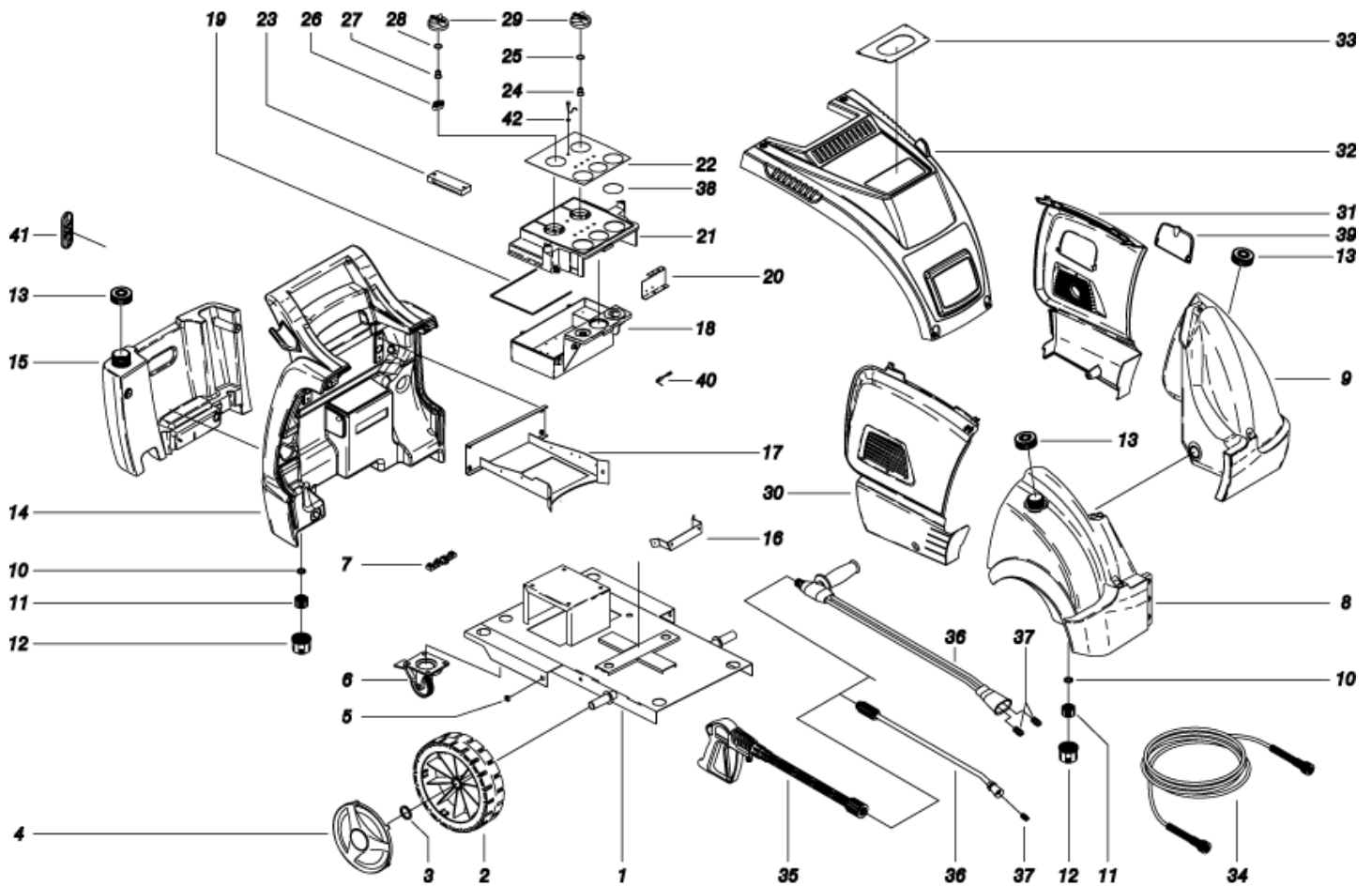
IPF ENGINEERING LTD

Ref: IDAC46525

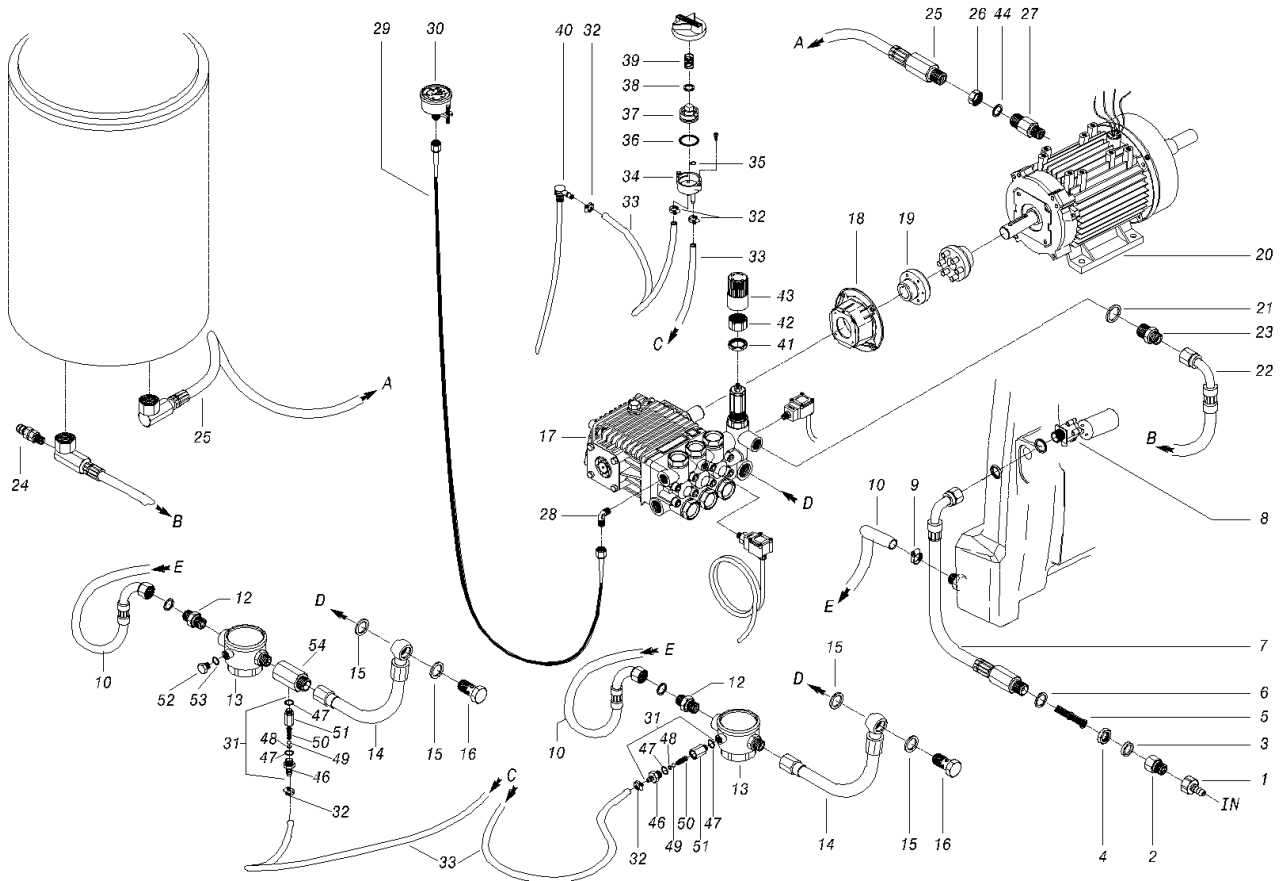
Model: IDROP OPTIMA CM.DS 1814 T 400/50 3-01IPF



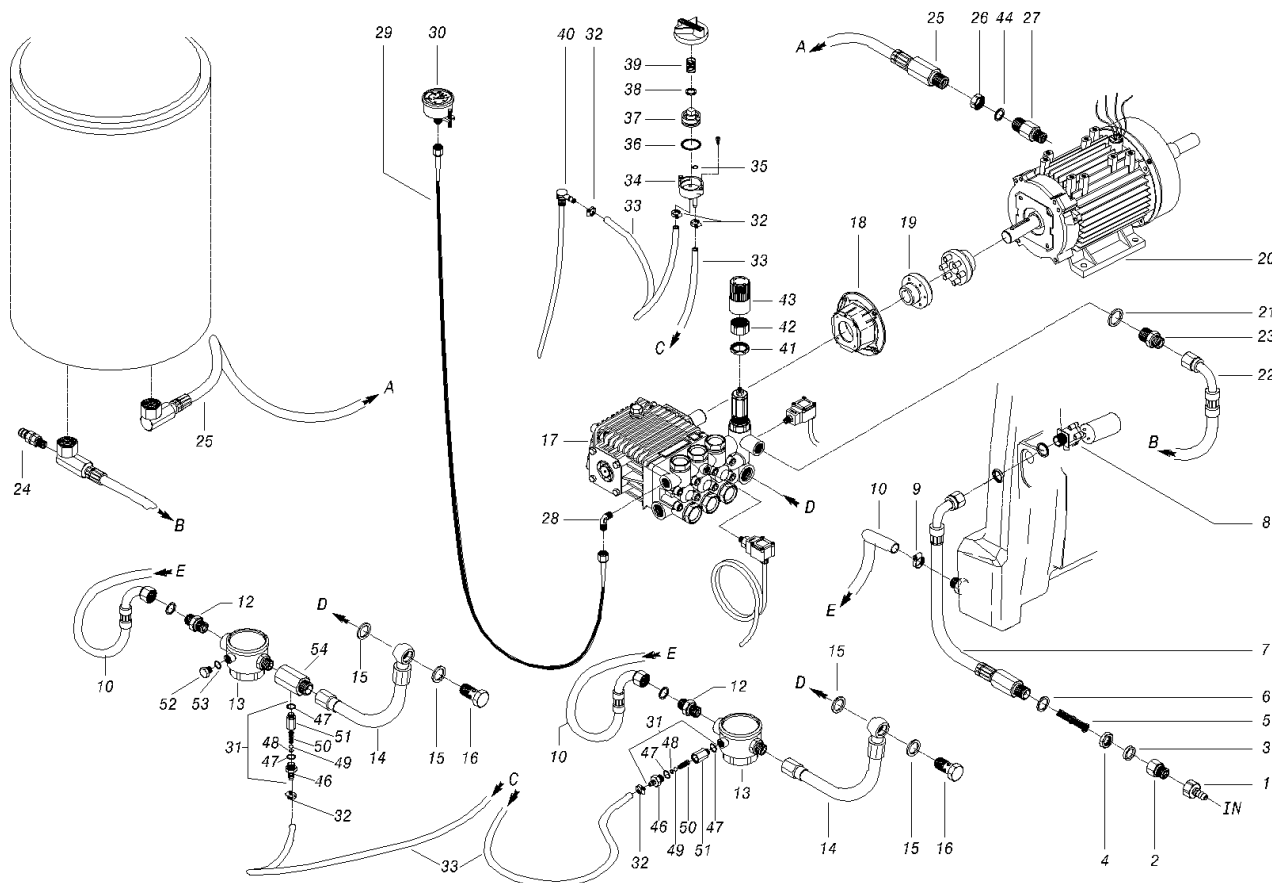
Ref.	K	Part N.	Customer Part N.	Description	Qty	Validity: From	To	Price
0001		LAFN40011		CHASSIS P176 2V.	1,00	09/2006		--
0001		LAFN44888		CHASSIS P176	1,00		09/2006	--
0002		RTRT45383		WHEEL D.305-D.25 RT-IPC	2,00			--
0003		VTRS09813		WASHER D.25	2,00			--
0004		MPVR45384		RED WHEEL COVER. 305 RT-PRT	2,00			--
0005		VTDD46044		NUT M 6 GB. 1.7X 2.5 ZT	2,00			--
0006		RTRT13708		TURNING WHEEL D.125 P. MZ.PLS	1,00			--
0007		MEVR20906		CABLE FASTNER KSM	1,00			--
0008		MPVR47393		FUEL TANK P176-S/CTR.LIV. PEHD	1,00			--
0009		MPVR46913		TANK P176-S/CTR.LV.PEHD	1,00			--
0010		GUGO11489		GASKET D.22X1,5	4,00	12/2005		--
0010		GUGO11489		GASKET D.22X1,5	2,00		01/2004	--
0010		GUGO49900		GASKET D. 23- 35 X 3.0 A.OLIO	2,00	01/2004	12/2005	--
0011		PVVR11806		DISCHARGE CAP FLL	2,00			--
0012		MPVR20187		RING NUT M 39 X 3	2,00			--
0013		MPVR45426		TANK CAP P176 PEHD	2,00			--
0014		MPVR40227		HANDLE P176-OPT C/SRB.-EN PEHD	1,00	01/2011		--
0014		MPVR45429		HANDLE P176-OPTIMA C/SRB. PEHD	1,00		01/2011	--
0015		MPVR46752		TOOL HOLDER P176-DAY C/SRB. PEHD	1,00			--
0016		LAFN47470		SUPPORT P176-2V.	1,00			--
0017		LAFN47466		SUPPORT P176-2V.	1,00		10/2005	--
0017		LAFN89452		SUPPORT P176-3V.	1,00	10/2005		--
0018		MPVR47414		CONTROL BOX P176-2 ABS	1,00			--
0019		GUGO11309		JOINT MOUSSE D. 3	1,20		04/2003	--
0019		GUGO33675		JOINT MOUSSE D. 4	0,97	04/2003		--
0020		LAFN45827		SUPPORT BRACKETP176 BT	1,00			--
0021		MPVR47415		BOX COVER P176-2 ABS	1,00			--
0022		ETET47753		LABEL P176-OPT/CMP TR. PVC R	1,00			--
0023		MPVR33250		CABLE CLAMP COVMISTRAL	1,00			--
0024		MPVR10083		TAIL PIECE OKA L=22	1,00			--
0025		GUGO23079		V-SEAL RING VA0014 13.5- 15.5	2,00			--
0026		MPVR41903		THICKNESS TERM.IM.PA66	1,00			--
0027		MPVR23484		TAIL PIECE THERM.KSM TUV	1,00			--
0029		MPVR20190		GREY KNOB KSM	3,00		11/2007	--
0029		MPVR46511		GREY KNOB KSM C/F.FIS.	3,00	11/2007		--
0030		MPVR45796		LAT. PANEL P176 DX RD	1,00			--
0031		MPVR48302		LAT. PANEL P176 SX 2V.RD	1,00			--
0033		LAFN45454		PANEL P176-OPT INX	1,00			--
0034		TBAP09985		H.P. HOSE R1 MT 15 5/16" 3/8 M-M	1,00		03/2007	--



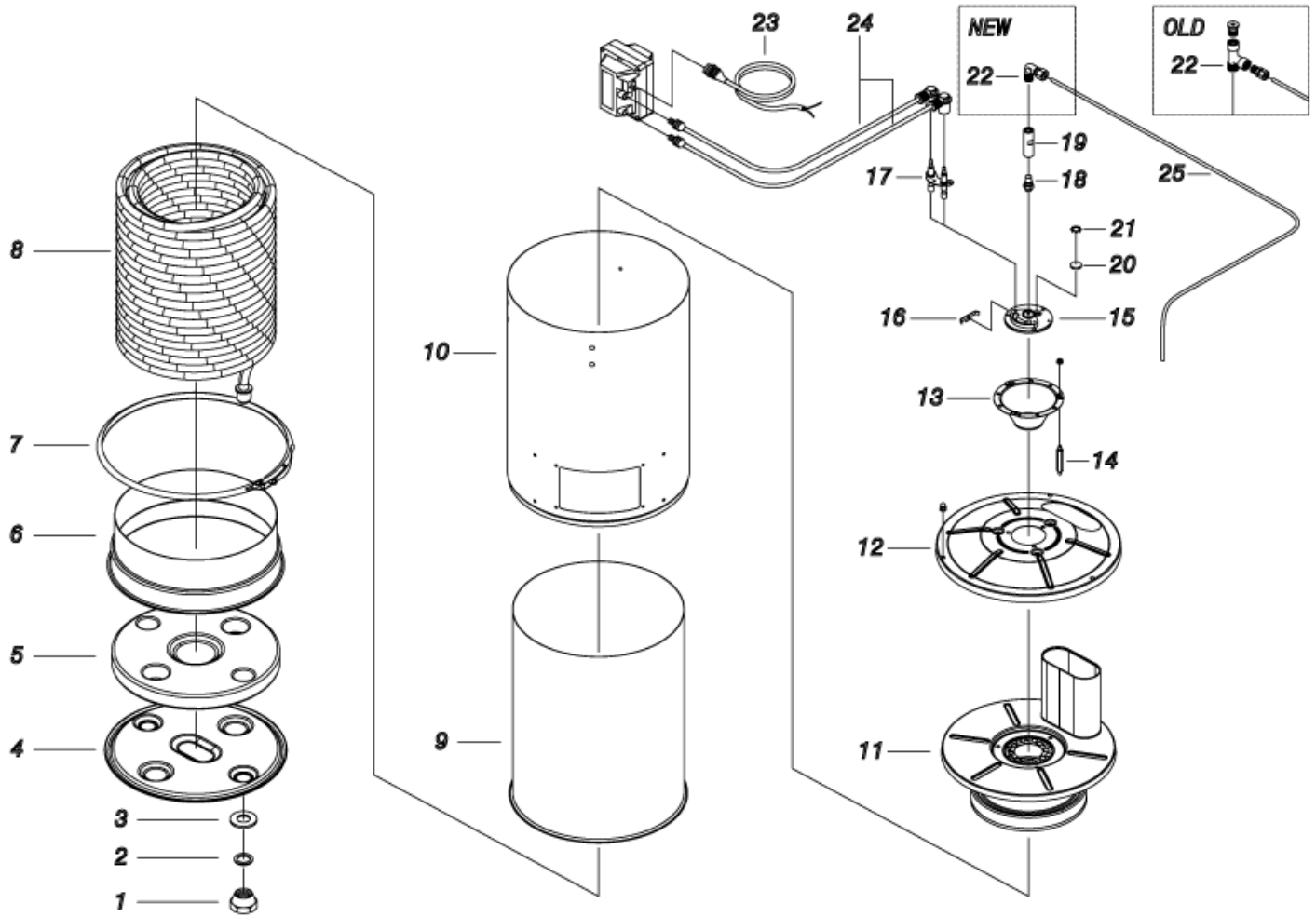
Ref.	K	Part N.	Customer Part N.	Description	Qty	Validity:		Price
						From	To	
0034		TBAP89958		H.P. HOSE R1 MT 15 5/16" C/2 IRV IX	1,00	03/2007		--
0035		MPVR45881		RED COVER P176-OPTIMA PP	1,00			--
0035		IPPR45298		GRIP G 4500 - P 330 - M22 M V	1,00		03/2007	--
0035		IPPR89429		GRIP G 4500 - P.330 -M22SW.M V	1,00	03/2007		--
0036		LCPR12983		DOUBLE EXTENS. PD 70	1,00	11/2005		--
0037		UGLN02289		NOZZLE 1/4 15045	2,00	11/2005	04/2006	--
0037		UGLN03327		NOZZLE 1/4 25045	2,00		11/2005	--
0037		UGLN49987		NOZZLE LECH 1/4 15045	2,00	04/2006		--
0038		MPVR47727		CAP P176 RES.BK	1,00			--
0039		MPVR48402		RED THROTTLE P176 PP	1,00			--
0040		MEVR27264		FUSE-HOLDER 031-1081	2,00			--
9999		KTRI16996		KIT P 33- 1	1,00	01/2003		--
9999		KTRI45716		KIT P 35- 28 BK.	1,00			--
9999		MPVR44324		SUPPORT NM1-P105 PVC	1,00			--



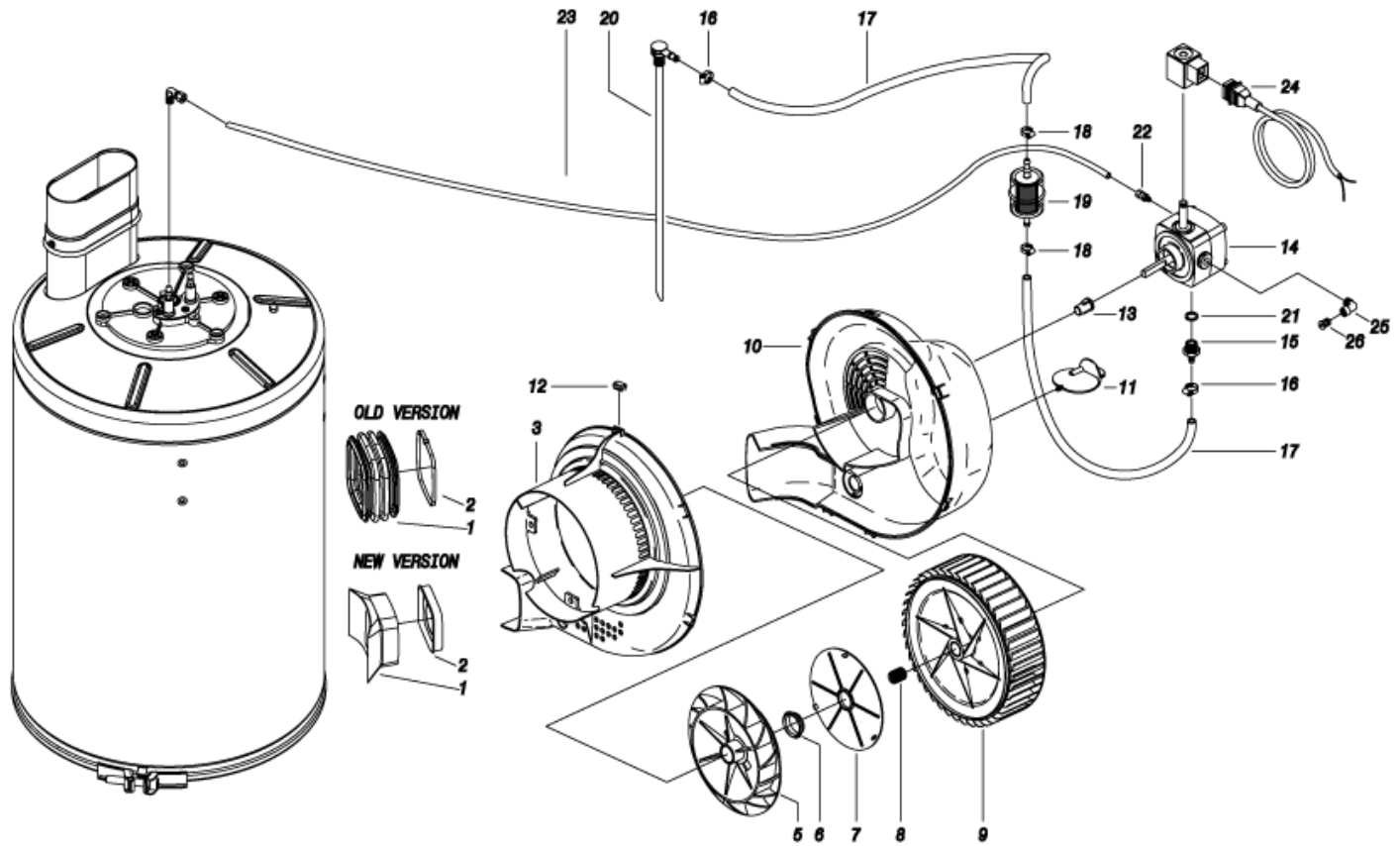
Ref.	K	Part N.	Customer Part N.	Description	Qty	Validity:		Price
						From	To	
0001		RCVR29600		SOCKET PTC 3/4 F	1,00			--
0002		RCVR37806		REDUCTION PTC 3/4-1/2 M/F	1,00			--
0003		GUGO37736		GASKET D. 10- 19 X 5 70SH	1,00			--
0004		RCDS21223		RING NUT 1/2" X 5 NIK	1,00		11/2003	--
0004		RCDS49875		RING NUT 1/2"X 6 CH.27 OT.	1,00	12/2003		--
0005		FTAC30214		FILTER D.15X67	1,00			--
0006		VTRS00549		WASHER D.21,5X27X1.5 (1/2) RM	1,00			--
0007		GUGO89255		GASKET D. 17.5-24 X 2 EPDM	1,00	06/2005		--
0007		TBBP46227		L.P. HOSE L= 650 3/4F 90°- 1/2M	1,00		01/2011	--
0007		TBBP48636		L.P. HOSE L= 950 3/4F 90°- 1/2M 0°	1,00	01/2011		--
0008		RCGR40005		FLOATER MTM 3/4 PP. S/F. +ADP.176	1,00	01/2011		--
0008		RCGR60703		FLOATER MTM 3/4 PP. S/F.	1,00		01/2011	--
0008		RCVR49974		RING NUT 3/4" X 4 NIK	1,00	01/2011		--
0009		FSVR00431		CLAMP D. 16-25	1,00			--
0010		TBBP87602		L.P. HOSE L=350 3/4F 90°-LB.	1,00			--
0012		RCDS46142		NIPPLE 3/4 - 1/2 CB D. 6.0	1,00		01/2004	--
0012		RCDS87610		NIPPLE 3/4 - 1/2 CB D.13.0	1,00	01/2004		--
0013		FTAC46472		WATER FILTER 1/2 MF	1,00	02/2002	12/2004	--
0013		FTAC73009		WATER FILTER 1/2 MF	1,00	12/2004		--
0014		RCDS45446		TUBE D.16X2 90° OC.1/2"-G 1/2F	1,00			--
0015		VTRS12491		WASHER 1/2	2,00			--
0016		RCDS16328		SCREW G 1/2 D.8	1,00		10/2011	--
0016		RCDS40094		SCREW G 1/2 D.8 INX	1,00	10/2011		--
0017		PPAP45416		PUMP "63" EL1714V DX T.OT.H DS	1,00			--
0018		MFVR44328		COUNTERFLANGE H100 P176	1,00			--
0019		FGGT45424		FLEX. COUPLING W 1 2PZ. P176	1,00			--
0020		MOTR46922		3PH MOTOR P176 HP 6 400-504P SG	1,00	07/2002	06/2008	--
0020		MOTR88850		3PH MOTOR P176 HP 6 400-504P SG-D	1,00	07/2008		--
0021		GUGO03507		O-RING D. 13.95 X 2.62 VIT 70SH	1,00			--
0022		TBAP47473		HOSE-FITTING 3/ 8 R1 L=740 3/8F90-PM26	1,00			--
0023		RCDS21480		NIPPLE 3/8 - 3/8 SV S.OR	1,00			--
0024		VVSC39719		VALVE MG 2000 G1/4M 150B MIGNON	1,00		12/2004	--
0024		VVSC47427		VALVE MG 1000 G1/4M-M D.8 250B	1,00	12/2004		--
0025		TBAP46228		HOSE-FITTING 3/ 8 VP L=485 M26+3/8F-P.	1,00			--
0026		RCDS21120		RING NUT M 26 X 1,5	1,00			--
0027		RCIN09348		MALE COUPLING 3/8MA L=32	1,00			--
0028		RCVR62671		ELBOW 3/8"-1/4" M A.P. OT.MTM	1,00			--
0029		TBAP07354		POLYAMIDE HOSE L=630 1/4-1/4 F-F	1,00		02/2007	--
0029		TBAP40005		POLYAMIDE HOSE L=630 1/4 F-F P.MAN.	1,00	03/2007		--



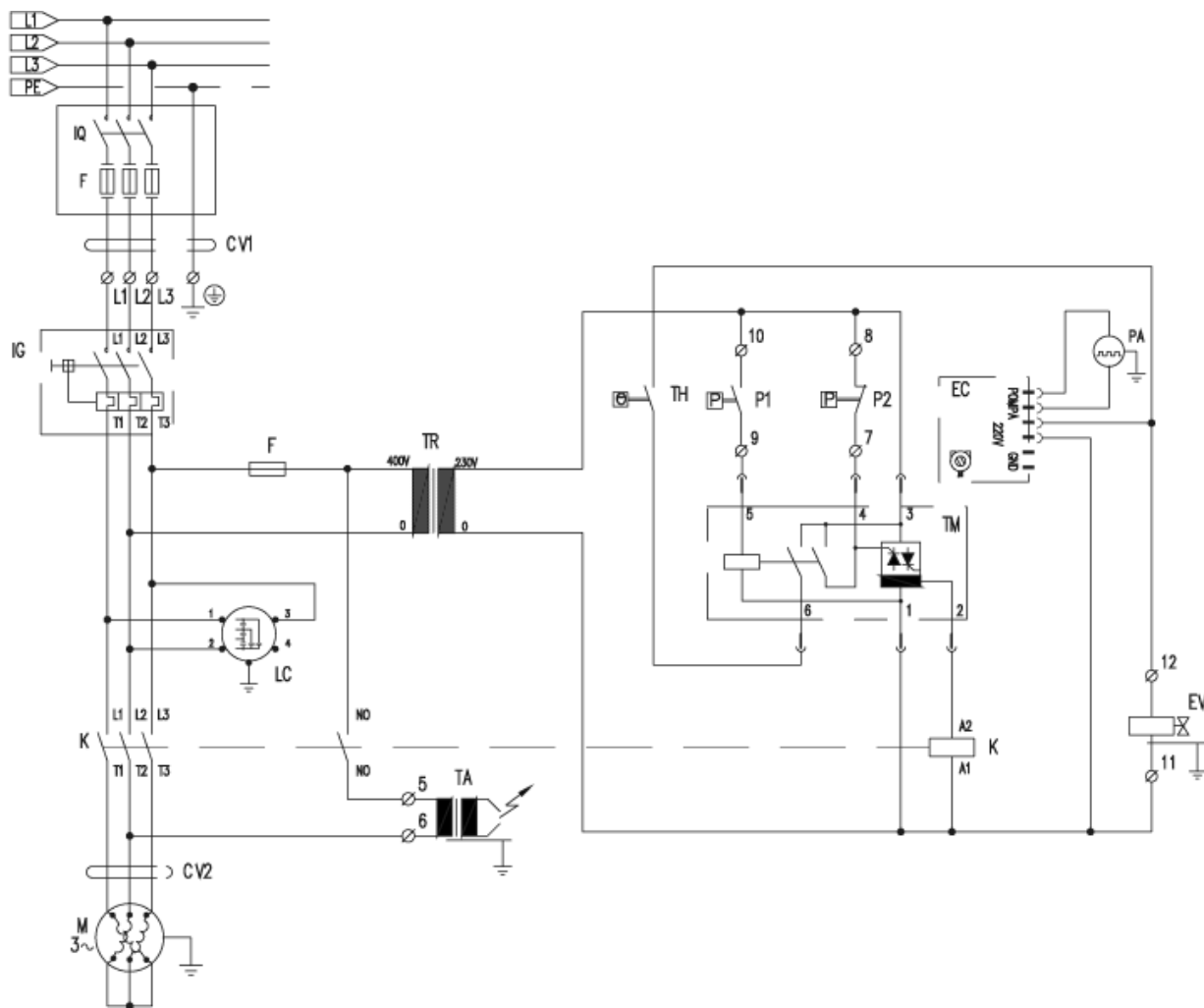
Ref.	K	Part N.	Customer Part N.	Description	Qty	Validity:		Price
						From	To	
0030		MNMN07992		PRESSURE GAUGE 0-250 D.50	1,00		11/2003	--
0030		MNMN49621		PRESSURE GAUGE 0-250 D.50 INOX	1,00	11/2003		--
0031		VVSF46712		VALVE 1/4M -PG. D.3X7.5	1,00			--
0032		FSVR00427		CLAMP D. 12 CLIC 66-110	2,00			--
0033		TBBP00051		DETERGENT HOSE D. 6-12	0,78			--
0034		RCGR08069		TAP BODY DET. PRT	1,00			--
0035		GUGO08071		O-RING D. 4.48 X 1.78 NBR 70SH	1,00			--
0036		GUGO12183		O-RING D. 23.4 X 3.53 VIT 70SH	1,00			--
0037		RCGR08070		ADJUSTER PRT	1,00			--
0038		VTRS00542		WASHER D.14X20	1,00			--
0039		MLML08068		SPRING D.1,5 L.23	1,00			--
0040		RCDS46087		SUCTION L=400 CPL	1,00			--
0041		VTDD21787		NUT M28X1.5 L=5	1,00			--
0042		RCDS21788		RING NUT M 28 X 1.5 L=16	1,00			--
0043		PVVR22163		KNOB L=60 V.INT.	1,00			--
0046		RCDS10546		VALVE SEAT 1/4M + PG. D.3-7.5 OTT	1,00			--
0047		GUGO01036		O-RING D. 10.82 X 1.78 NBR 70SH	2,00			--
0048		GUGO01055		O-RING D. 5.28 X 1.78 VIT 70SH	1,00			--
0049		SFVR04274		BALL D. 7/32	1,00			--
0050		MLML21505		SPRING D. 8 X5 X0.3	1,00			--
0051		RCDS46072		VALVE BODY N/R 1/4F-1/4 P176 OT	1,00			--
0052		RCVR00659		CAP 1/4 M	1,00	01/2004	12/2004	--
0053		GUGO19194		O-RING D. 11.11 X 1.78 NBR 70SH	1,00	01/2004	12/2004	--
0054		RCDS87608		SLEEVE 1/2 M/F +1/4F CB.D.8.5 OT	1,00	01/2004		--



Ref.	K	Part N.	Customer Part N.	Description	Qty	Validity:		Price
						From	To	
0001		RCDS21120		RING NUT M 26 X 1,5	2,00			--
0002		GUGO21222		O-RING D. 15.54 X 2.62 VIT 80SH	2,00			--
0003		GUVR21021		ANTI-EXTR.RING D. 21 X17 TEF.	2,00			--
0004		LAFN44149		BOILER BOTTOM P176	1,00	03/2013		--
0005		ITTE44175		BOTTOM P176 C.TE	1,00	03/2013		--
0006		LAFN44151		BAND P176 INX	1,00	03/2013		--
0007		LAFN40037		RING D.342 P176 ZN 2V.CPL.	1,00	03/2013		--
0008		LAGR44154		DOUBLE COIL M26X1.5 P176 30MT	1,00	03/2013		--
0009		LASL40101		INT. CYLINDER PM INX	1,00	03/2013		--
0010		LAFN40274		EXT. CYLINDER PM-176 INX	1,00	03/2013		--
0011		LAFN40269		BOILER COVER SIPM INX	1,00	03/2013		--
0012		LAFN40270		BOILER COVER SEPM INX	1,00	03/2013		--
0013		LAFN44244		BAFFLE P176 30M INX	1,00	03/2013		--
0014		LAFN40271		PIN CH.10 X 67.7 M5M/M5M PM	3,00	03/2013		--
0015		MFVR18226		ELECTR.HOLDER FUT 3°V	1,00	03/2013		--
0016		LAFN07641		PLATE INX	1,00	03/2013		--
0017		MECA12525		ELECTRODE FUT	1,00	03/2013		--
0018		UGBR22576		BURNER NOZZLE 1.35 60 S	1,00	03/2013		--
0019		RCDS07642		NOZZLE HOLDER FUT	1,00	03/2013		--
0020		MPVR18228		OIL WARN-LIGHT D.17 X3	1,00	03/2013		--
0021		VTAE22633		SEEGER 0.4 X18,30X10,5	1,00	03/2013		--
0022		RCVR72867		CONNECTOR A "T" 1/8" FFM	1,00	07/2013		--
0022		RCVR89230		CAP G 1/8 M C/O-RING.	1,00	07/2013		--
0023		MECB34463		CABLE BT L=800 SP.	1,00			--
0024		MECV35334		CABLE A.T. 9,8-23KOHM/M L= 400P	2,00			--

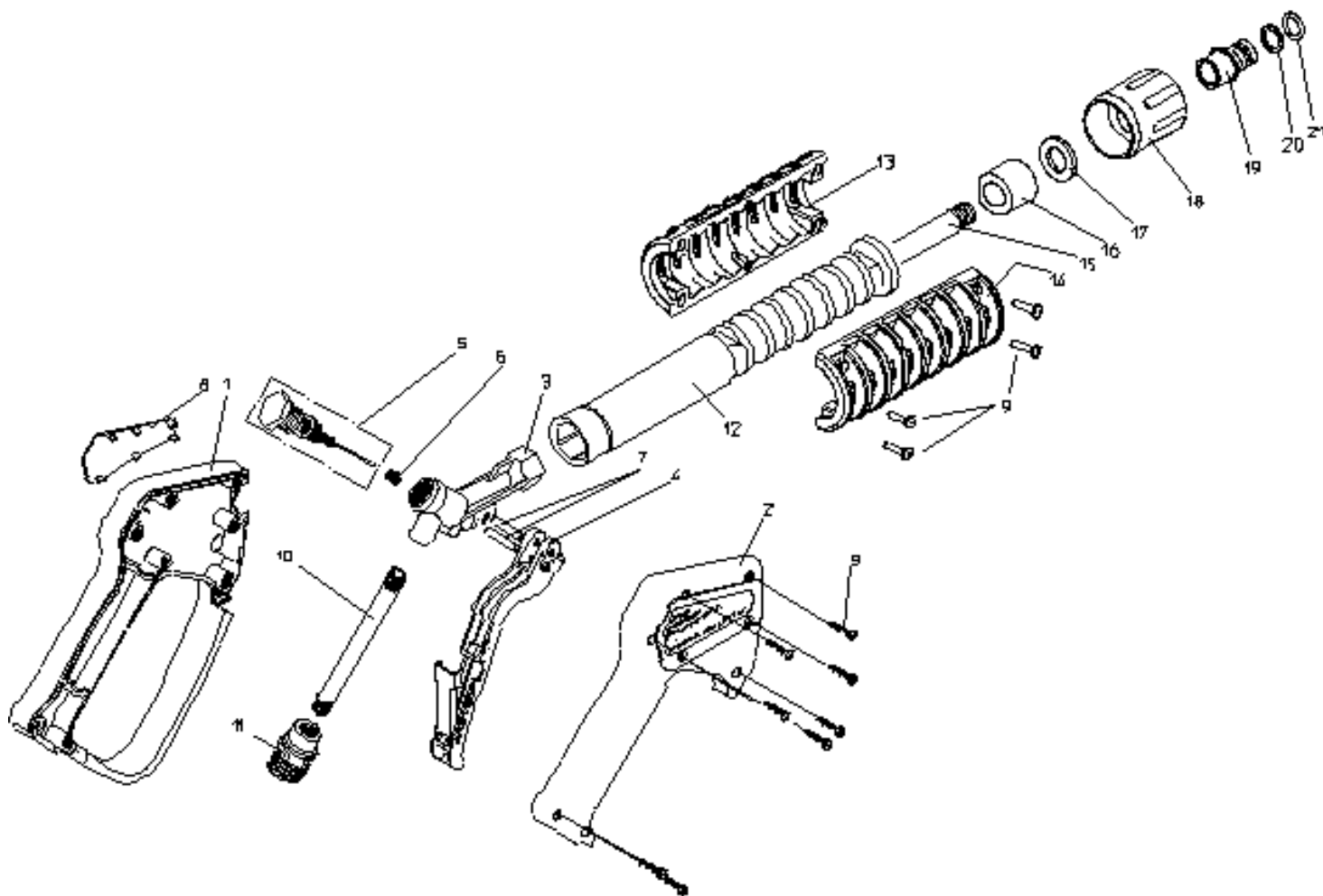


Ref.	K	Part N.	Customer Part N.	Description	Qty	Validity:		Price
						From	To	
0001		MPVR88426		CONVEYOR P190 PA6 BK.	1,00	03/2013		--
0001		MPVR44176		SLEEVE P176 H= 50	1,00		06/2006	--
0002		FSVR01873		CLAMP LG 31920 9 X500	1,00		06/2006	--
0002		GUGO88425		GASKET P245 EPDM	1,00	06/2006		--
0003		MPVR45488		SCROLL BODY P176 PP	1,00			--
0005		VEVR45443		MOTOR FAN P176 H 100	1,00			--
0006		LAFN45783		BUSHING D. 30 P176	1,00			--
0007		MPVR45444		SEPARATOR P176 ABS	1,00			--
0008		VTVR45002		BUSHING D. 17-19X19 CPS.	1,00			--
0009		VEVR45487		IMPELLER P176 D.240 43P. PA6	1,00		06/2005	--
0009		VEVR88781		IMPELLER P176 D.240 43P. 2V. PA6	1,00	06/2005		--
0010		MPVR45489		VENTILATOR COV.P176 ABS	1,00			--
0011		MPVR45445		BUTTERFLY VALVE P176 PP	1,00			--
0012		VTVR20127		CLIP KSM	8,00			--
0013		FGGT36513		JOINT HP 0.25 AACO	1,00			--
0014		FTCO88927		FUEL FILTER S.AL	1,00	01/2005		--
0014		PPGS40004		FUEL PUMP DNF BFA 01R5L1	1,00	05/2010		--
0014		PPGS47394		FUEL PUMP DLT VM2RR15	1,00		12/2004	--
0014		PPGS49454		FUEL PUMP DLT ALLUM. A2R1	1,00	01/2005	04/2010	--
0015		RCDS00626		HOSE FITTING 1/4 M D. 5- 7	1,00			--
0016		FSVR00427		CLAMP D. 12 CLIC 66-110	2,00			--
0017		TBCO06945		L.P. HOSE D. 6-12 10BAR C.PRESS	0,20			--
0018		FSVR11197		CLAMP D.I. 11 13315	2,00			--
0019		FTCO34840		FUEL FILTER FB 7/A NYL.	1,00		04/2010	--
0019		FTCO40003		FUEL FILTER FB 7/TA 60mc NYL.	1,00	04/2010		--
0020		RCDS46087		SUCTION L=400 CPL	1,00			--
0021		VTRS04931		WASHER COPPER D.13X19X1.5	1,00			--
0022		RCVR14014		BI-CONE CONNEC.DTT 1/8"M B1 D. 2/ 4 NIK	1,00			--
0023		TBCO46140		DIESEL HOSE P176 30MT D. 4	1,00			--
0024		MECB46130		CABLE DLT L=1100	1,00			--
9999		VTAE33647		CIRCLIP D. 19 UNI 7435	1,00	06/2005		--

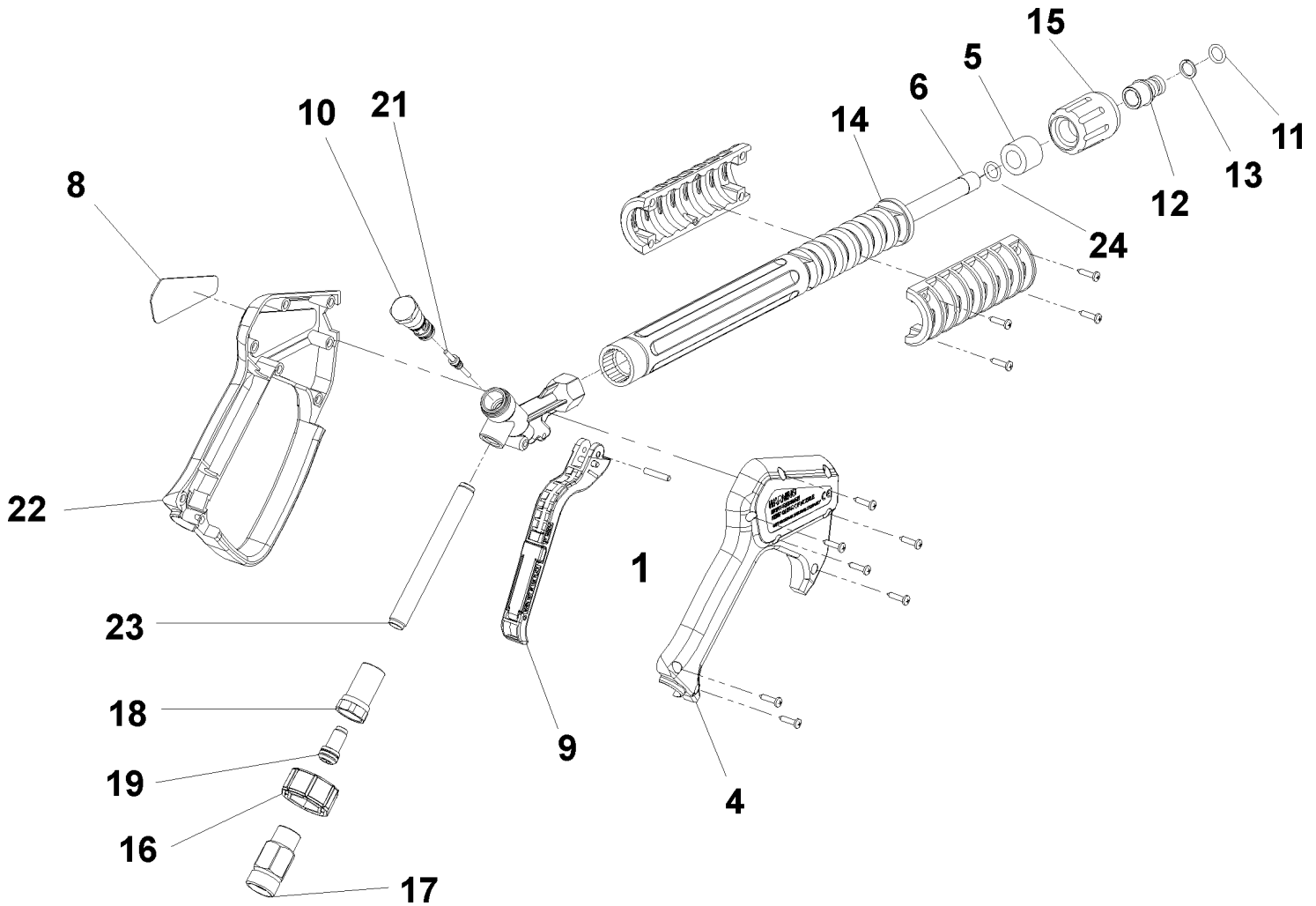


Ref.	K	Part N.	Customer Part N.	Description	Qty	Validity:		Price
						From	To	
F		MEVR00237		FUSE 5X20 3,15A	1,00			--
K		METT44556		CONTACTOR SIE 3RT 1017 1AP01 230V	1,00			--
EC		MECE21631		PCB D.NM1 220V	1,00			--
EV		MEBE18120		COIL DLT 220-50 S/CV.	1,00		12/2004	--
EV		MEBE43705		COIL DNF 220-50	1,00	05/2010		--
EV		MEBE49881		COIL DLT 220-50 NF84	1,00	01/2005	04/2010	--
F1		MEVR02824		FUSE 5X20 1A	1,00		11/2003	--
IG		MECI08294		SWITCH O.K.N. 10-16 A	1,00	11/2003		--
IG		MECI09350		SWITCH O.K.N. 6.3-10 A	1,00		11/2003	--
LC		MECE46139		FILTER FC RFI 475V	1,00			--
P1		MEPF71856		PRESSURE SWITCHPR 5 1/4M 15BAR	1,00	09/2012		--
P2		MEPF76254		PRESSURE SWITCHPR 5 1/4M 25BAR	1,00	09/2012		--
PA		MEPD22718		DESCALING PUMP NME-1 220V CPL.	1,00			--
TA		METR34821		TRANSFORMER 400V-50HZ 2X4000V SP4 CM	1,00			--
TH		METK19354		THERMOSTAT 0-150° L=1500	1,00		12/2010	--
TH		METK40011		THERMOSTAT 0-150° L=1500 F&C	1,00	01/2013		--
TM		METY42780		TIMER THV/2+RL.15-250V 5/60 30S	1,00			--
TR		METR43881		TRANSFORMER 35VA 400/230V 50/60HZ	1,00			--
CV1		MECB17414		CABLE H07 RNF 4X2.5 L=6.500	1,00			--

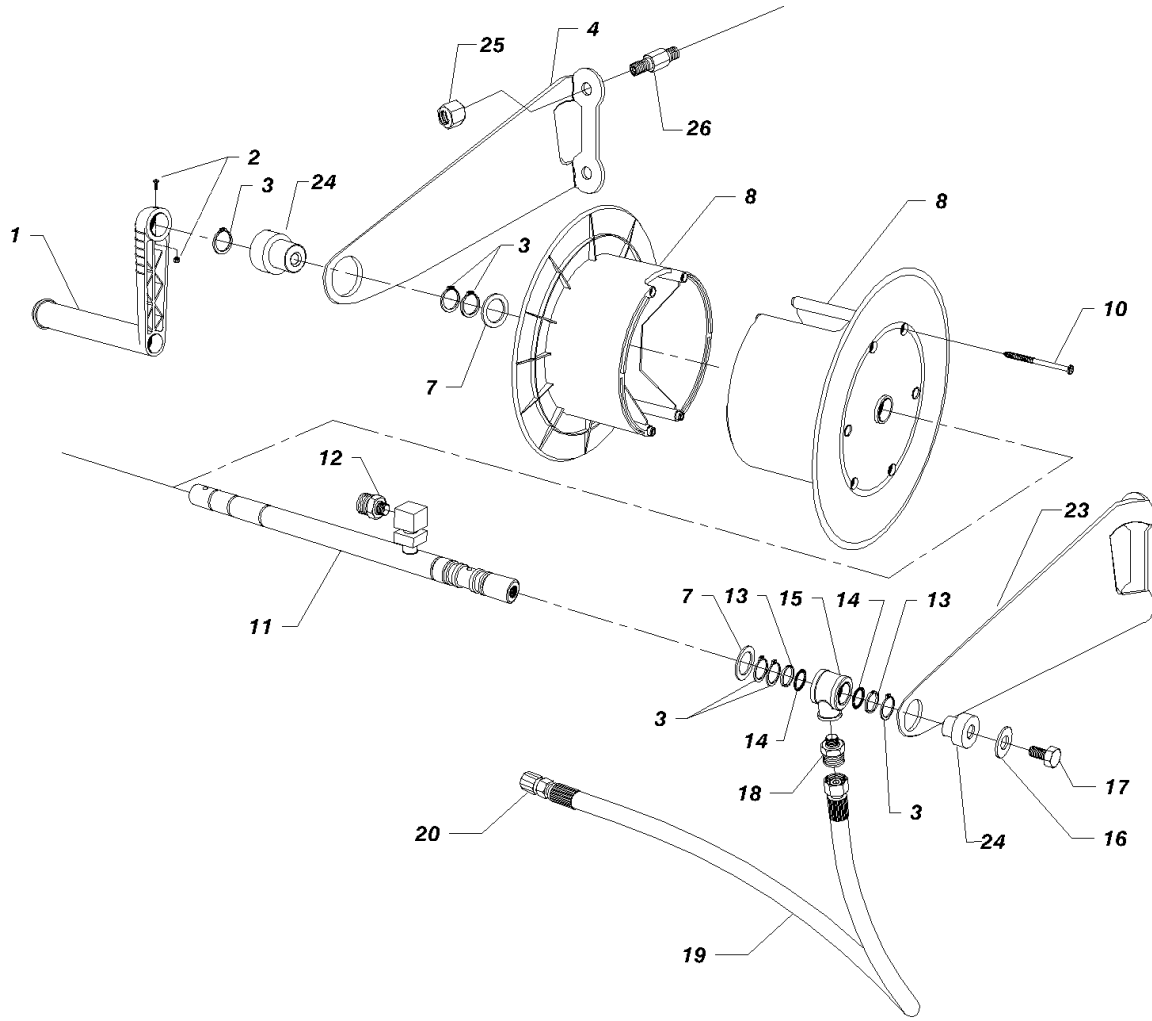




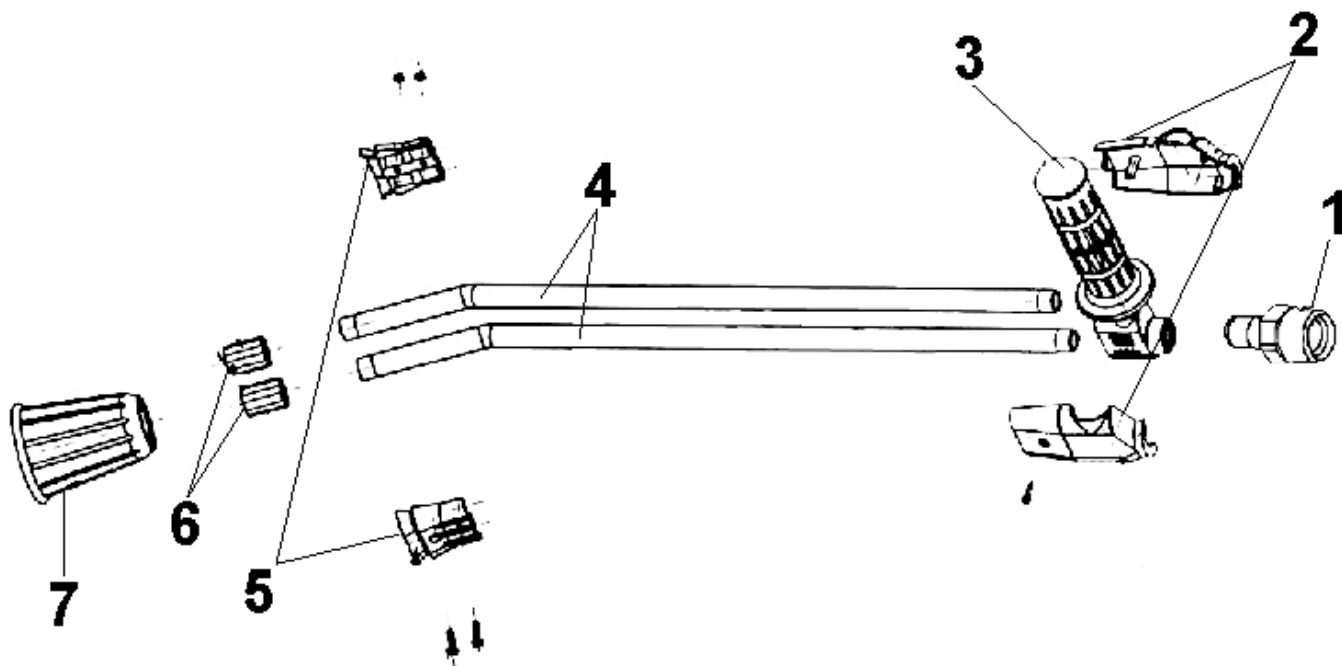
Ref. K	Part N.	Customer Part N.	Description	Qty	Validity:		Price
					From	To	
0001	MPVR46562		SHELL G 4500	1,00			--
0002	MPVR46563		COVER G 4500	1,00			--
0003	PVVR46564		GUN BODY G 4500 G1/4 OT.	1,00			--
0004	MPVR46565		TRIGGER G 4500	1,00			--
0005	PVVR46566		SMALL PISTON G 4500 CPL.	1,00			--
0006	PVVR46567		PISTON GUIDE G 4500 CPL.	1,00			--
0007	VTVR46568		PLUG G 4500	2,00			--
0008	MPVR46569		PLATE G 4500 RD.	1,00			--
0009	VTVT28553		SCREW TCB-TC 3.5X16	11,00			--
0010	PVVR37732		TUBE G 1/4" M/M L.139	1,00			--
0011	RCIN03752		MALE COUPLING 1/4FA	1,00			--
0012	MPVR46570		PROTECTION P 330 ST	1,00			--
0013	PVVR13440		SHELL PROTECTI.ST	2,00			--
0015	LCPR46571		TUBE 1/4 L=352 ZC.	1,00			--
0016	MPVR46572		SPACER P 330 ST	1,00			--
0017	VTRS04931		WASHER COPPER D.13X19X1.5	1,00			--
0018	PVVR13445		CONNECTION M 22X1,5 L=45	1,00			--
0019	RCVR13030		GUDGEON G 1/4 F L=31.5	1,00			--
0020	GUVR10526		ANTI-EXTR.RING D.13.9X10.2 C.BZ	1,00			--
0021	GUGO10525		O-RING D. 9.3 X 2.4 NBR 70SH	1,00			--



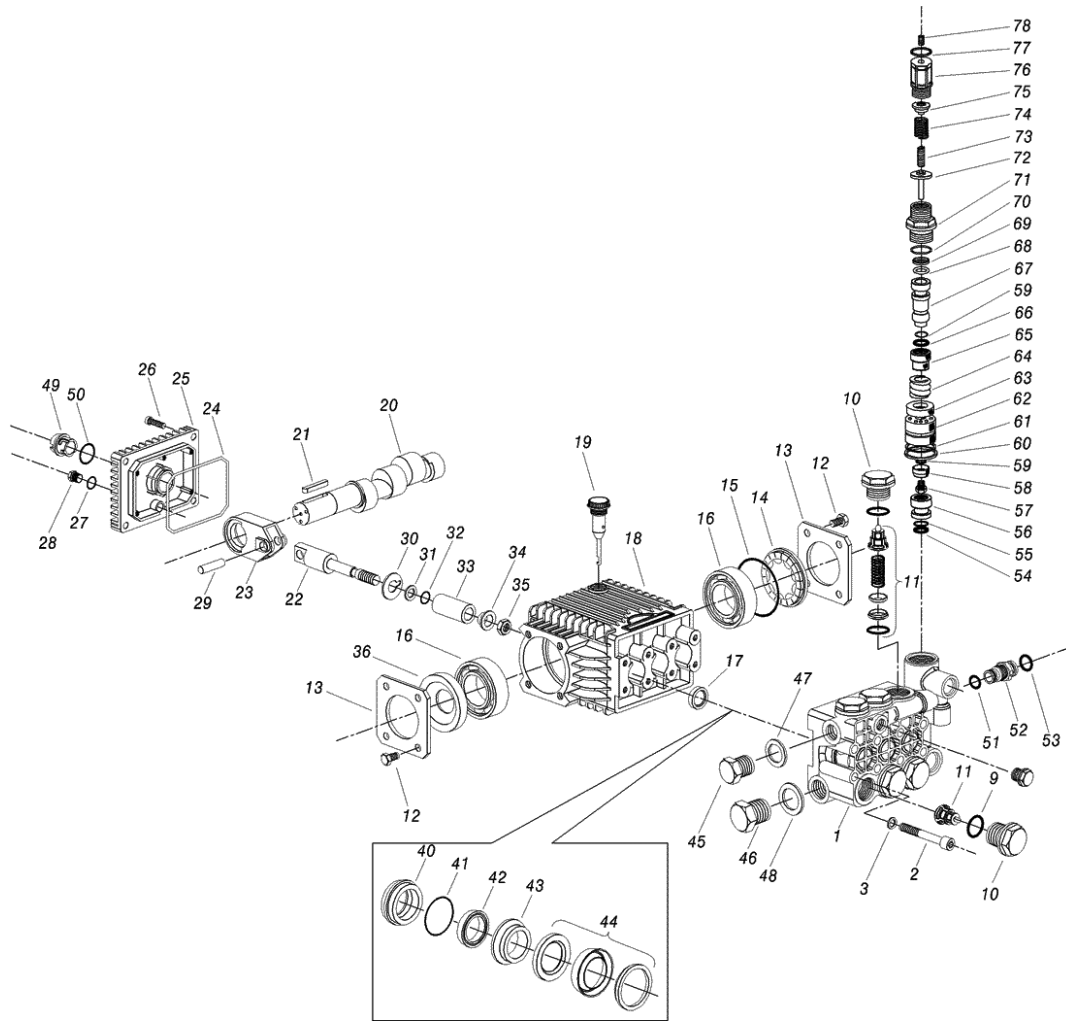
Ref. K	Part N.	Customer Part N.	Description	Qty	Validity:		Price
					From	To	
0001	VTVR46568		PLUG G 4500	1,00			--
0004	MPVR40157		COVER G 4500 2V.	1,00	05/2008		--
0004	MPVR46563		COVER G 4500	1,00		04/2008	--
0005	MPVR46572		SPACER P 330 ST	1,00			--
0006	LCPR40007		TUBE 1/4 L=352 ZC. 2V.	1,00	05/2008		--
0006	LCPR46571		TUBE 1/4 L=352 ZC.	1,00		04/2008	--
0008	MPVR46569		PLATE G 4500 RD.	1,00			--
0009	MPVR40057		TRIGGER G 4500 -SW	1,00			--
0010	PVVR40030		SMALL PISTON TM ST-2300	1,00			--
0011	GUGO10384		O-RING D. 10 X 2.2 VIT 80SH	1,00			--
0012	RCVR13030		GUDGEON G 1/4 F L=31.5	1,00			--
0013	GUVR10526		ANTI-EXTR.RING D.13.9X10.2 C.BZ	1,00			--
0014	MPVR46570		PROTECTION P 330 ST	1,00			--
0015	PVVR13445		CONNECTION M 22X1.5 L=45	1,00			--
0016	MPVR40058		RING NUT G4500 SW.	1,00			--
0017	RCIN40001		JOINT SWIV 4500 3/8"F	1,00		04/2008	--
0017	RCIN40005		JOINT SWIV 4500 3/8"F 2V.	1,00	05/2008		--
0018	RCIN31641		CONNECTOR SWIV 1500 F	1,00			--
0019	KTRI31645		KIT P 26- 14	1,00			--
0021	PVVR40031		ROD ST-2300	1,00			--
0022	MPVR40156		SHELL G 4500 2V.	1,00	05/2008		--
0022	MPVR46562		SHELL G 4500	1,00		04/2008	--
0023	PVVR40023		TUBE G 1/4" M/M P/SW.	1,00			--
0024	GUGO27021		O-RING D. 11 X 2.5 EPD 70SH	1,00	05/2008		--



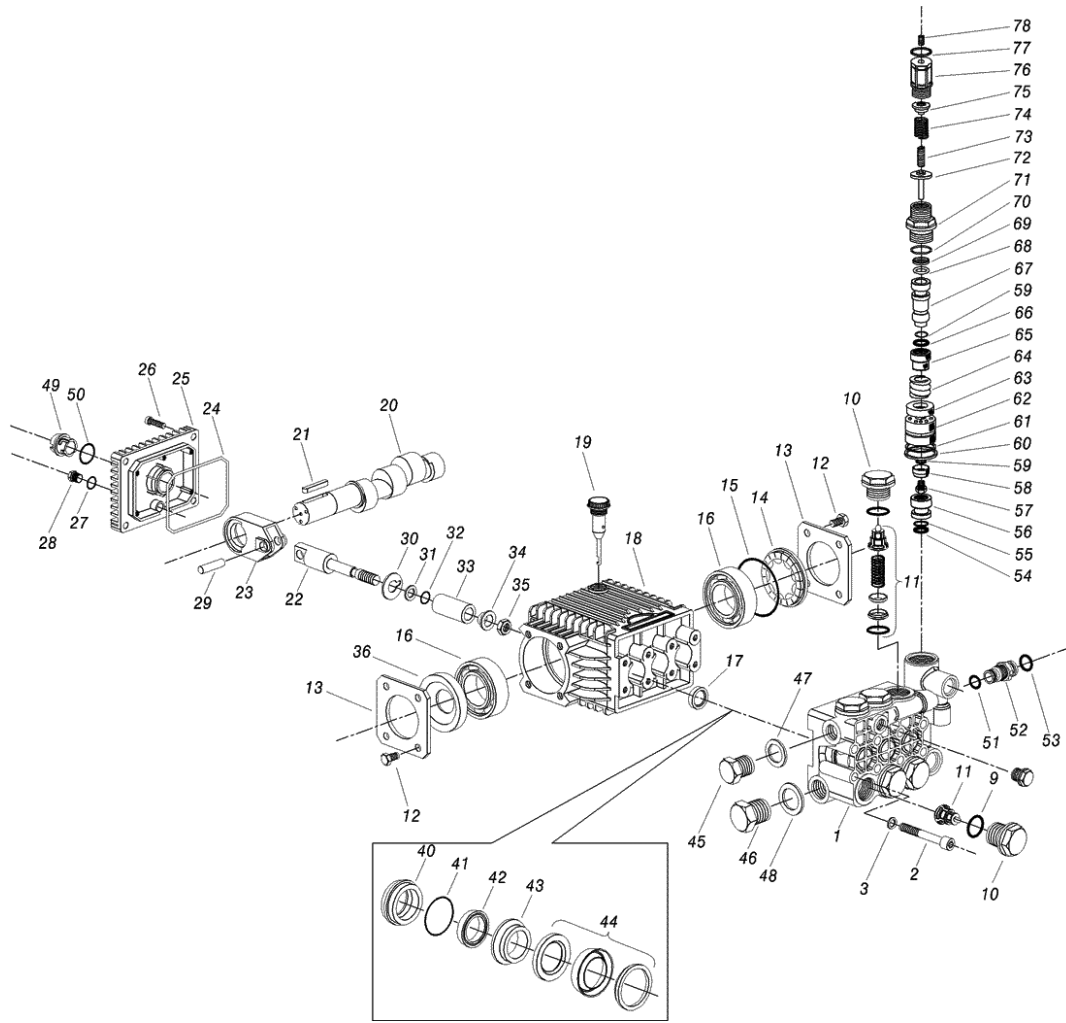
Ref.	K	Part N.	Customer Part N.	Description	Qty	Validity:		Price
						From	To	
0001		MPVR31495		HANDLE PRT D. 3.5	1,00			--
0002		VTVT43875		SCREW TSPEI 4X40 UNI5933	1,00			--
0003		VTAE33674		CIRCLIP D. 22 UNI 7435	3,00			--
0004		LAFN45824		HOSE WIND.SUPP.P176 DX	1,00			--
0006		VTVT29165		SCREW AF TCB-TC 5 X20 TL	8,00			--
0007		VTRS04924		WASHER D.23X 39	1,00			--
0008		MPVR37152		HOSE REEL PRT PP	2,00			--
0010		VTVT29165		SCREW AF TCB-TC 5 X20 TL	4,00			--
0011		LAFN37663		AXLE PRT	1,00		06/2003	--
0011		LAFN48953		AXLE PRT 2V. 3PZ.	1,00	06/2003		--
0012		RCIN10577		MALE COUPLING 1/4MA	1,00			--
0012		VTDD04369		NUT M 4 TEF UNI 7473	1,00			--
0013		GUVR37665		ANTI-EXTR.RING D.17.8X22 X1.5 PTFE	2,00			--
0014		GUGO01032		O-RING D. 17.13 X 2.62 NBR 70SH	2,00			--
0015		RCDS37667		BLOCK PRT OT.	1,00		06/2010	--
0015		RCDS89862		BLOCK PRT-P237 G3/8 OT.	1,00	06/2010		--
0016		VTRS00514		WASHER D.10X30X11.4	1,00			--
0017		VTVT00454		SCREW TE 10X16	1,00			--
0018		RCDS00608		NIPPLE 3/8 - 1/4 SV	1,00		06/2010	--
0018		RCDS00610		NIPPLE 3/8 - 3/8 SV	1,00	06/2010		--
0019		TBAP25930		HOSE-FITTING 5/16 R2 L=630 0- 0° 3/8F	1,00			--
0020		RCIN03755		FEMALE COUPLIN.3/8MB	1,00			--
0023		LAFN45826		HOSE WIND.SUPP.P176 SX	1,00			--
0024		MPVR45822		BUSHING D.28-38/22.5 L=24.5 PVC N	1,00			--
0025		VTDD01692		NUT M 8 SERPRESS	4,00			--
0026		LAFN46201		PIN CH.17 X 19 M8M/M8M P176	4,00			--



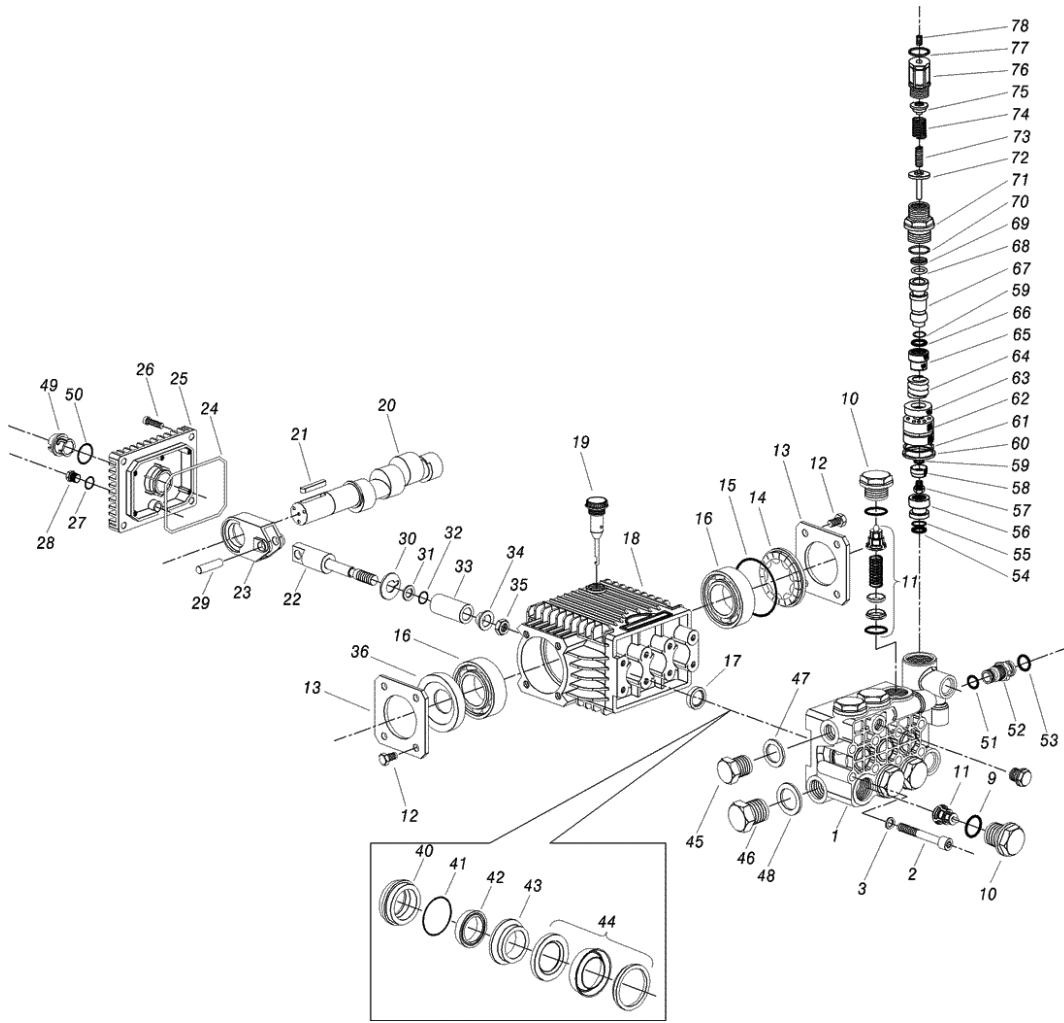
Ref. K	Part N.	Customer Part N.	Description	Qty	Validity:		Price
					From	To	
0001	PVVR45296		COUPLING G 1/4M -M22 M +PR.PLS	1,00			--
0002	MPVR45214		PROTECTION TB.1/4 MTM	1,00			--
0003	RCGR45737		TAP 1/8 F LD MTM	1,00			--
0004	LCPR45740		TUBE 1/8 L=660 INOX MTM	2,00			--
0005	MPVR45001		SHELL LD MTM	1,00			--
0006	RCVR45741		NOZZLE HOLDER 1/4-1/8 F MTM	2,00			--
0007	PVVR43810		PROTECTION L.D. MTM	1,00			--



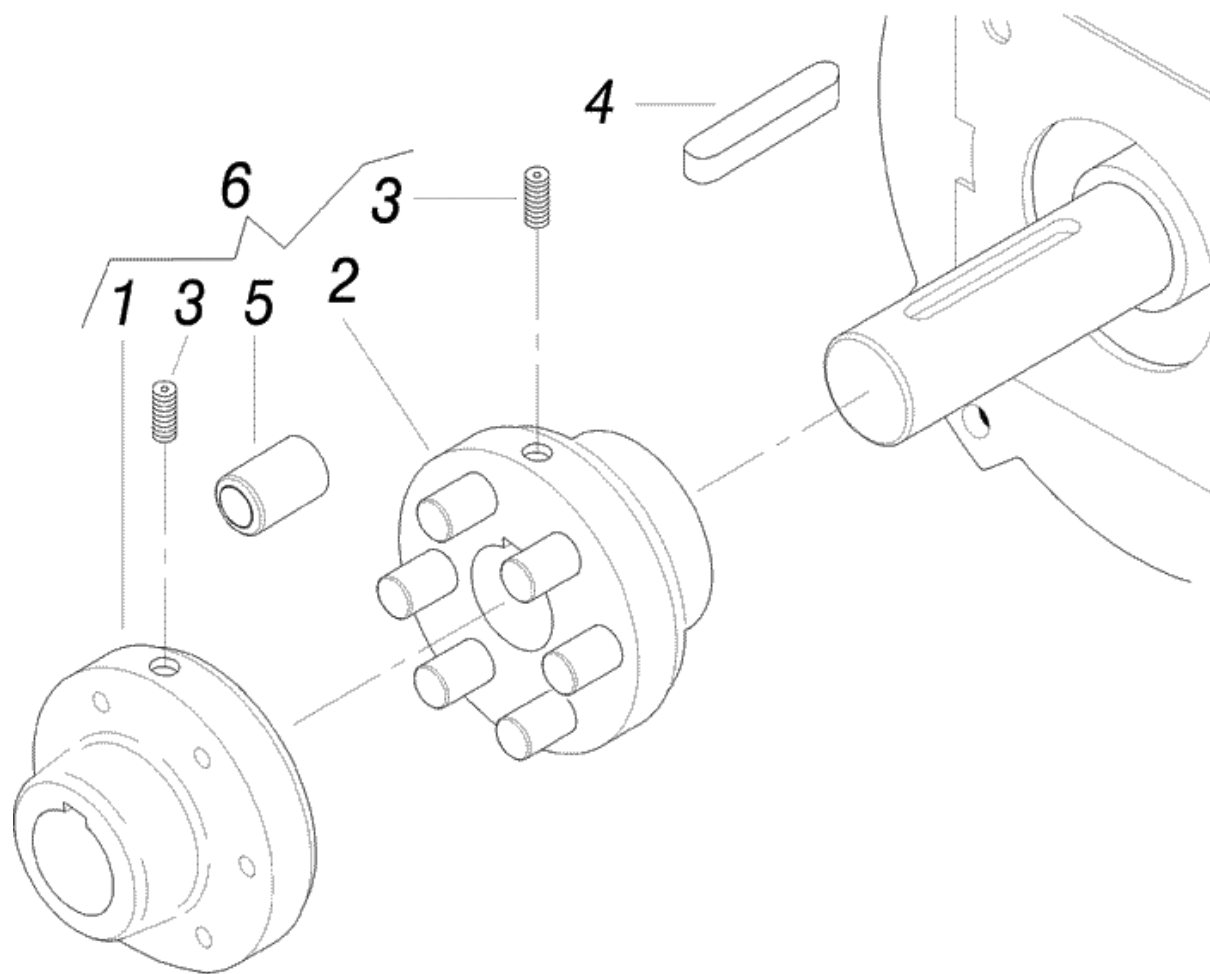
Ref.	K	Part N.	Customer Part N.	Description	Qty	Validity:		Price
						From	To	
0001		MFVR46813		HEAD "63" D.18 V.INT.TS OT	1,00			--
0002		VTVT46018		SCREW TCEI M 8X 65 UNI 5931 TRP	8,00			--
0003		VTRS14242		WASHER D. 8.4X13X0.8 UNI7064 SCH	8,00			--
0009	S	GUGO19395		O-RING D. 20.24 X 2.62 NBR 70SH	6,00			--
0010	S	RCDS28466		CAP M24X1.5X17 "44"	6,00			--
0011	S	VVAM28467		VALVE UNIT "44" WW136-186	6,00			--
0012		VTVT01109		SCREW TE M 6X 10 ZC. UNI 5739	8,00			--
0013		MFVR03562		CRANKASE COVER W 70	2,00			--
0014		MFVR28454		SPACER "44"	1,00			--
0015		GUGO01040		O-RING D. 55.56 X 3.53 NBR 70SH	1,00			--
0016		CUVR09654		BALL BEARING 6305	2,00			--
0017	S	GUGO46019		OIL SEAL 18X 26X 6 -L.CM -NBR70SH	3,00			--
0018		MFVR46020		PUMP CRANKCASE "63"	1,00			--
0019		PVVR01089		OIL DIPSTICK W 70	1,00			--
0020		ALMO46815		SHAFT "63" N C.13 D.24	1,00			--
0021		VTVR45821		KEY 8X 7X22 UNI 6604	1,00			--
0022		PVVR46022		PISTON GUIDE "63"	3,00			--
0023		BLVR46023		CONNECTING ROD "63"	3,00			--
0024		GUGO18695		O-RING D. 101.27 X 2.62 NBR 70SH	1,00			--
0025		MFVR46024		CRANKASE COVER "63"	1,00			--
0026		VTVT01114		SCREW TCEI 6X14 UNI 5931	4,00			--
0027		GUGO01036		O-RING D. 10.82 X 1.78 NBR 70SH	1,00			--
0028		RCDS01088		CAP 1/4X 9 M WW90	2,00			--
0029		PVVR46025		GUDGEON D. 9X27,5 "63"	3,00			--
0030		VTRS46026		WASHER D. 9X25X0,5 "63"	3,00			--
0031		GUVR10257		ANTI-EXTR.RING WW161	3,00			--
0032		GUGO10464		O-RING D. 5.28 X 1.78 NBR 70SH	3,00			--
0033		PIVR28455		PISTON D.18 "44"	3,00			--
0034		VTRS46027		WASHER D. 8 C/CLL.	3,00			--
0035		VTDD04284		NUT M8X1,25 X13X5 S2 INX	3,00			--
0036		GUGO28465		OIL SEAL 25X 62X10 NBR70	1,00			--
0040	S	PVVR46028		PACKING RETAIN.D. 18 "63"	3,00			--
0041	S	GUGO01263		O-RING D. 28.30 X 1.78 NBR 70SH	3,00			--
0042	S	GUVR46029		PACKING D. 18 L.P. "63"	3,00			--
0043	S	PVVR46030		INTERMED. RING D. 18 "63"	3,00			--
0044	S	GUVR46031		PACKING D. 18 H.P. "63"	3,00			--
0045		RCDS01090		CAP 3/8X13 M WW90	1,00			--
0046		RCDS01091		CAP 1/2X10 M	1,00			--
0047		VTRS01074		WASHER D.17,05X22,3 X1,5	1,00			--



Ref.	K	Part N.	Customer Part N.	Description	Qty	Validity:		Price
						From	To	
0048		VTRS01075		WASHER D.21,5X27 ALL	1,00			--
0049		PVVR46032		OIL INDICATOR S."63"	1,00			--
0050		GUGO01044		O-RING D. 26.58 X 3.53 NBR 70SH	1,00			--
0051		GUGO19194		O-RING D. 11.11 X 1.78 NBR 70SH	1,00			--
0052		PVVR46785		CONNECTOR TS "63" VALV.H	1,00			--
0053		GUGO09720		O-RING D. 14 X 1.78 NBR 70SH	1,00			--
0054	S	GUVR11651		ANTI-EXTR.RING D. 10.6X15X2	1,00			--
0055	S	GUGO03501		O-RING D. 9.92 X 2.62 VIT 70SH	1,00			--
0056	S	PVVR12887		VALVE SEAT CONTROL SET W1	1,00			--
0057	S	VTVT18667		SCREW M 5X0,8X7,5	1,00			--
0058	S	PVVR18668		VALVE CLT	1,00			--
0059	S	GUGO03497		O-RING D. 6.75 X 1.78 VIT 80SH	2,00			--
0060	S	GUVR28469		ANTI-EXTR.RING D.22 X25X1,5	1,00			--
0061	S	GUGO08182		O-RING D. 21.91 X 1.78 NBR 70SH	1,00			--
0062	S	PVVR28470		VALVE GUIDE "44"	1,00			--
0063	S	PVVR28471		VALVE "44"	1,00			--
0064	S	MLML28472		SPRING D. 18.5 X11 "44"	1,00			--
0065	S	PVVR28473		SPACER "44"	1,00			--
0066	S	GUVR04309		ANTI-EXTR.RING HM	1,00			--
0067	S	PVVR28474		CONTROL PISTON "44"	1,00			--
0068	S	GUGO01946		O-RING D. 9.13 X 2.62 VIT 70SH	1,00			--
0069	S	GUVR01940		ANTI-EXTR.RING D. 9,5X14X1,5	1,00			--
0070		GUGO01037		O-RING D. 23.81 X 2.62 NBR 70SH	1,00			--
0071		PVVR28475		BUSHING "44"	1,00			--
0072		PVVR28476		SPRING PLATE "44" INF.	1,00			--
0073		MLML28477		SPRING D. 7.6 X29 "44"	1,00			--
0074		MLML11655		SPRING D.15X35	1,00			--
0075		PVVR11656		SPRING PLATE W1	1,00			--
0076		PVVR18672		REGISTER COLT	1,00			--
0077		GUGO01057		O-RING D. 20.35 X 1.78 NBR 70SH	1,00			--
0078		VTVT20196		SCREW EI-ST 8X20 UNI5923	1,00			--



Ref. Part N.	Cust. Part N.	Description	Reference	Price
KTRI28508	KIT P	15-123	0011	--
KTRI28510	KIT P	15-124	0009 0010	--
KTRI28526	KIT P	137	0054 0055 0056 0057 0058 0059 0060 0061 0062 0063 0064 0065 0066 0067 0068 0069	--
KTRI46033	KIT P	15-159	0017	--
KTRI46034	KIT P	15-161	0042 0044	--
KTRI46035	KIT P	15-163	0040	--
KTRI46036	KIT P	15-165	0043	--
KTRI46037	KIT P	15-167	0040 0041 0042 0043 0044	--



Ref. K	Part N.	Customer Part N.	Description	Qty	Validity:		Price
					From	To	
0001	FGGT46926		HALF COUPLING W1	1,00			--
0002	FGGT40000		HALF COUPLING W1 MOT.	1,00			--
0003	VTVT76580		SCREW M 8X 10 EI ST UNI 5929 Z	2,00			--
0004	VTVR45821		KEY 8X 7X22 UNI 6604	1,00			--
0005	FGGT04612		BUSHING IP	6,00			--
0006	FGGT45424		FLEX. COUPLING W 1 2PZ. P176	1,00			--