



IPC Integrated Professional Cleaning

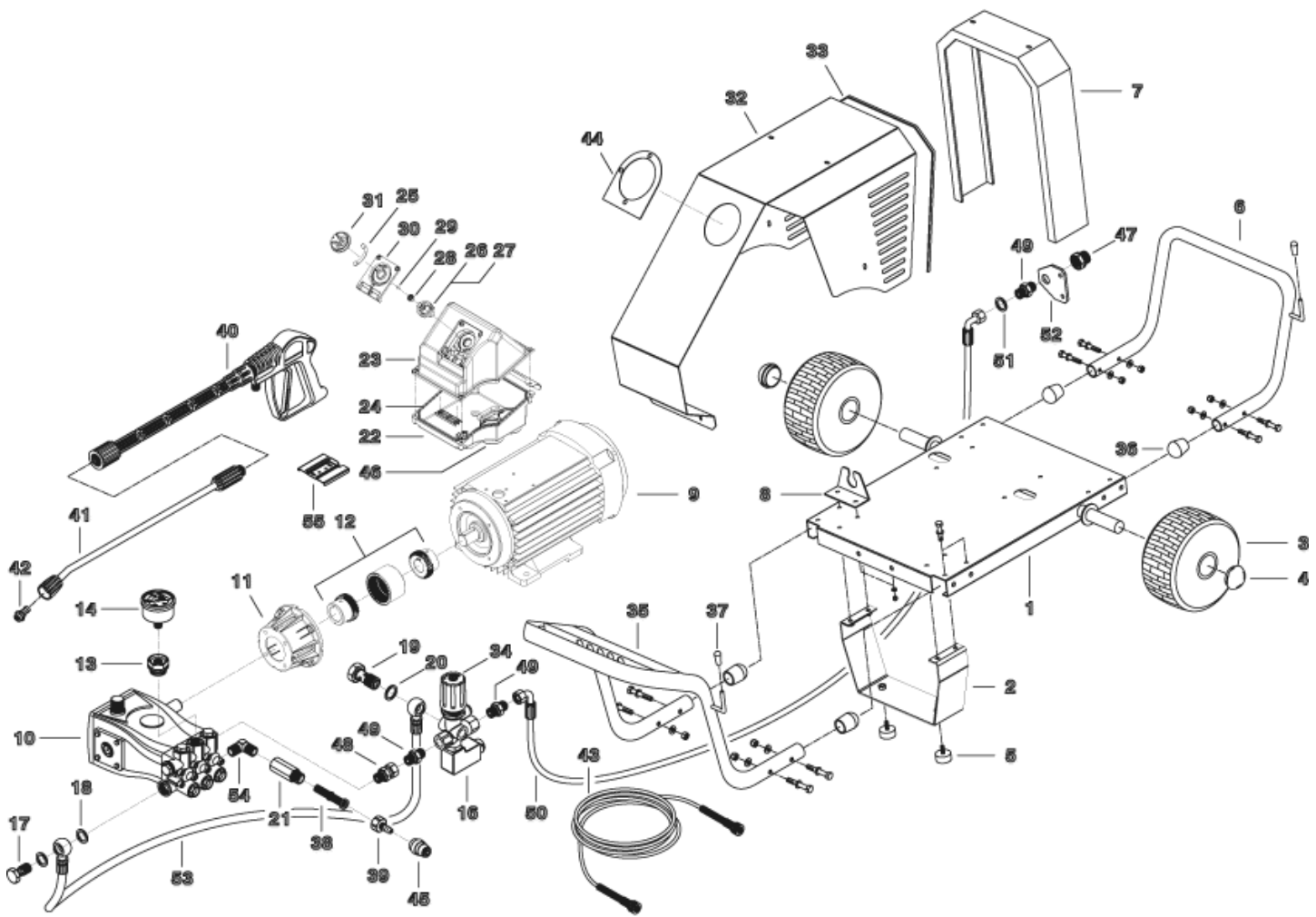
IPC Portotecnica

Spare Parts List

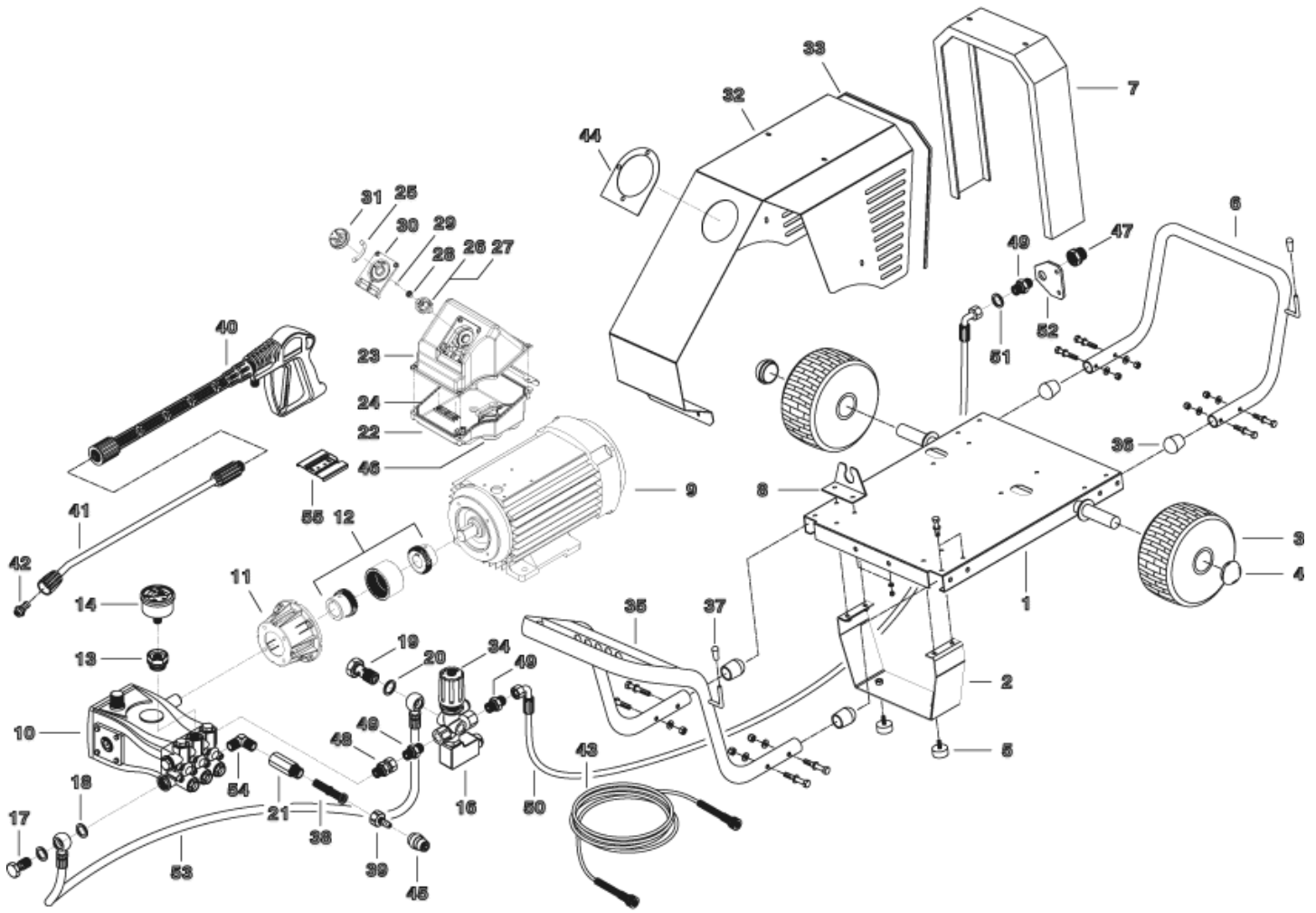
IPF ENGINEERING LTD

Ref: IDAF40276

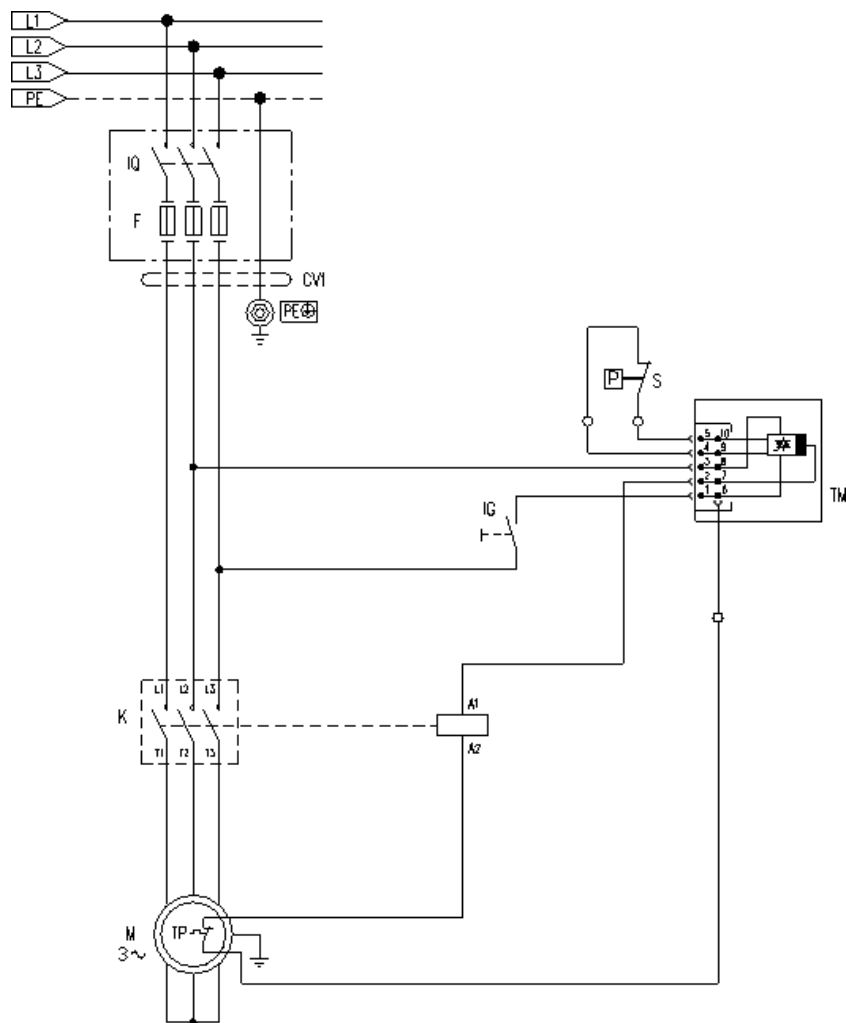
Model: IDROP PW-C80 D2122P T 400/50 3-05IPC



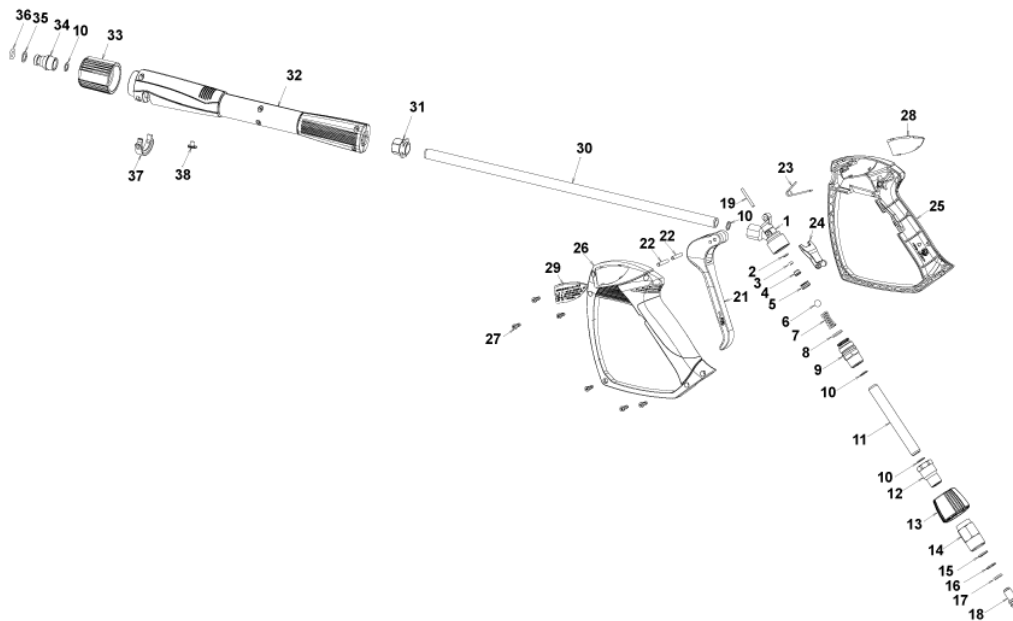
Ref.	K	Part N.	Customer Part N.	Description	Qty	Validity: From To	Price
0001		LAFN40179		CHASSIS BENZ HP 9-13	1,00		--
0002		LAFN40181		FOOT BENZ HP 9-13	1,00		--
0003		RTRT40006		WHEEL D. 13.5"X 6/ 6 -D.25 PN.	2,00		--
0004		VTVR01268		HUB CAP D. 25	2,00		--
0005		MPVR60726		VIBRATION DAMP.TCC48X25- 1M8X16 60SH GMM	2,00		--
0006		LAFN40183		BUMPER BENZ HP 9-13	1,00		--
0007		LAFN40451		BRACKET PW-C80 BK.	1,00		--
0008		LAFN40452		BRACKET PW-C80 M25 BK.	1,00		--
0009		MOTR89784		3PH MOTOR B3-14 HP10 23/400-50 E.X5	1,00		--
0010		PPAP40063		PUMP RK 20.19 DX NC 21LT.	1,00		--
0011		MFVR89552		FLANGE MOTOR H 112 B14-P237 9HP	1,00		--
0012		FGGT88467		FLEX. COUPLING P105 HP 9.0 CPL.	1,00		--
0013		PVVR40208		CAP AR RK C/F. 1/4F+OR	1,00		--
0014		MNMN89877		PRESSURE GAUGE G1/4 0-315 D.50 INOX	1,00		--
0016		VVAZ89669		VALVE BP 9 3/8F-250B. +SWITCH	1,00		--
0017		RCDS16328		SCREW G 1/2 D.8	1,00		--
0018		VTRS12491		WASHER 1/2	2,00		--
0019		RCDS01371		SCREW G 3/8 A.P.	1,00		--
0020		VTRS12492		WASHER 3/8	2,00		--
0021		RCDS89865		SLEEVE 3/4-1/2 M/F P237 OT	1,00		--
0022		MPVR40345		BOX COVER P237-C80 PA6 BK.	1,00		--
0023		MPVR89768		CONTROL BOX P237 PA6 BK.	1,00		--
0024		GUGO11309		JOINT MOUSSE D. 3	0,80		--
0025		LAFN40454		BRACKET PW-C80 ZC.	1,00		--
0026		MPVR89759		TAIL PIECE P237 INT. PA6 BK.	1,00		--
0027		GUGO01032		O-RING D. 17.13 X 2.62 NBR 70SH	1,00		--
0028		MPVR89760		ROLLER P237 PA6 BK.	1,00		--
0029		LAFN89793		PIN P237 INX	1,00		--
0030		MPVR89763		COVER P237 PA6 BK.	1,00		--
0031		MPVR89762		BLACK KNOB P237 PA6	1,00		--
0032		LAFN40455		COVER PW-C80 INX	1,00		--
0033		GUVR13437		EDGE H=10	3,70		--
0035		LAFN40188		HANDLE BENZ HP 9-13	1,00		--
0036		MPVR01697		PROD D.30 1.02.109	2,00		--
0036		MPVR01697		PROD D.30 1.02.109	2,00		--
0037		MPVR32471		PROD D. 8 BK	1,00		--
0037		MPVR32471		PROD D. 8 BK	1,00		--
0038		FTAC30214		FILTER D.15X67	1,00		--
0039		RCVR29600		SOCKET PTC 3/4 F	1,00		--



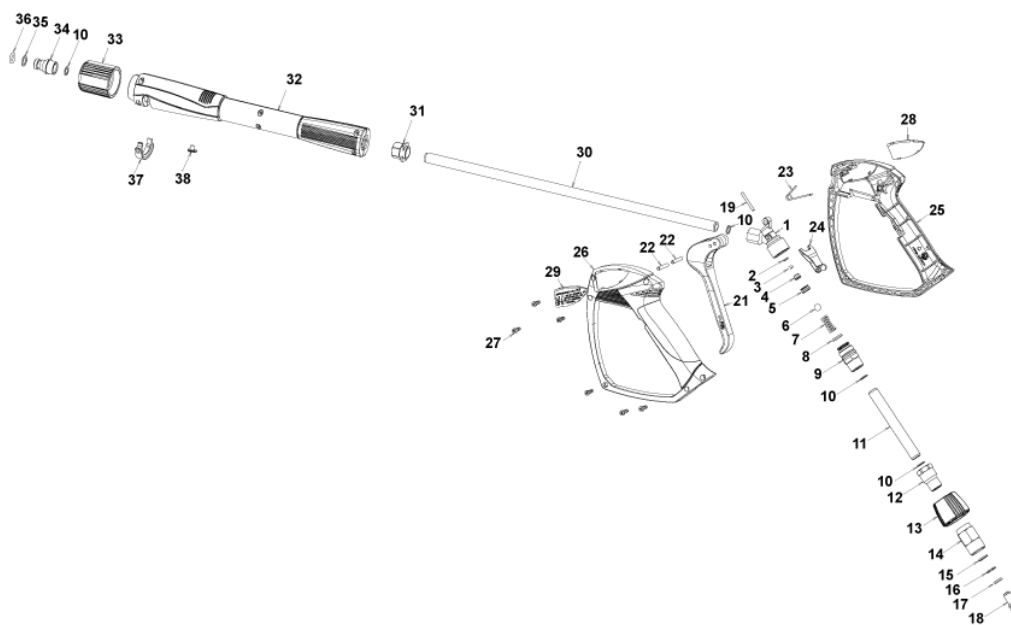
Ref.	K	Part N.	Customer Part N.	Description	Qty	Validity:		Price
						From	To	
0040		IPPR40010		GRIP G 5100+P.330 +M22 SW.M V	1,00			--
0041		LCPR12976		EXTENSION P 70	1,00			--
0042		UGLN02299		NOZZLE LECH 1/4 1506	1,00			--
0043		TBAP25324		H.P. HOSE R1 MT 10 5/16" C/2 IRV ZC	1,00			--
0044		ETET40420		LABEL PW-C80 PLC	1,00			--
0045		RCVR29602		CONNECTOR D. 1/2"-5/8" PTC	1,00			--
0046		GUGO89794		O-RING 41.28 X 3.53- NBR -70SH	1,00			--
0047		RCIN03753		MALE COUPLING M22-3/8 M-FA	1,00			--
0048		RCVR00563		SWIVEL RACCORD 3/8 M/F	1,00			--
0049		RCDS00610		NIPPLE 3/8 - 3/8 SV	3,00			--
0050		TBAP40084		HOSE-FITTING 3/ 8 L=430 R2 3/8F45- 90°	1,00			--
0051		VTRS00548		WASHER D.17,5X23X1,5 (3/8)RM	1,00			--
0052		LAFN40453		SUPPORT PW-C80 DS BK.	1,00			--
0053		TBBP28994		L.P. HOSE L= 390 1/2OCC-3/8OCC. 90°	1,00			--
0054		RCVR72843		CONNECTOR 90g 1/2"Gj AP	1,00			--
0055		LAFN46067		SUPPORT L.60 P176	1,00	09/2014		--



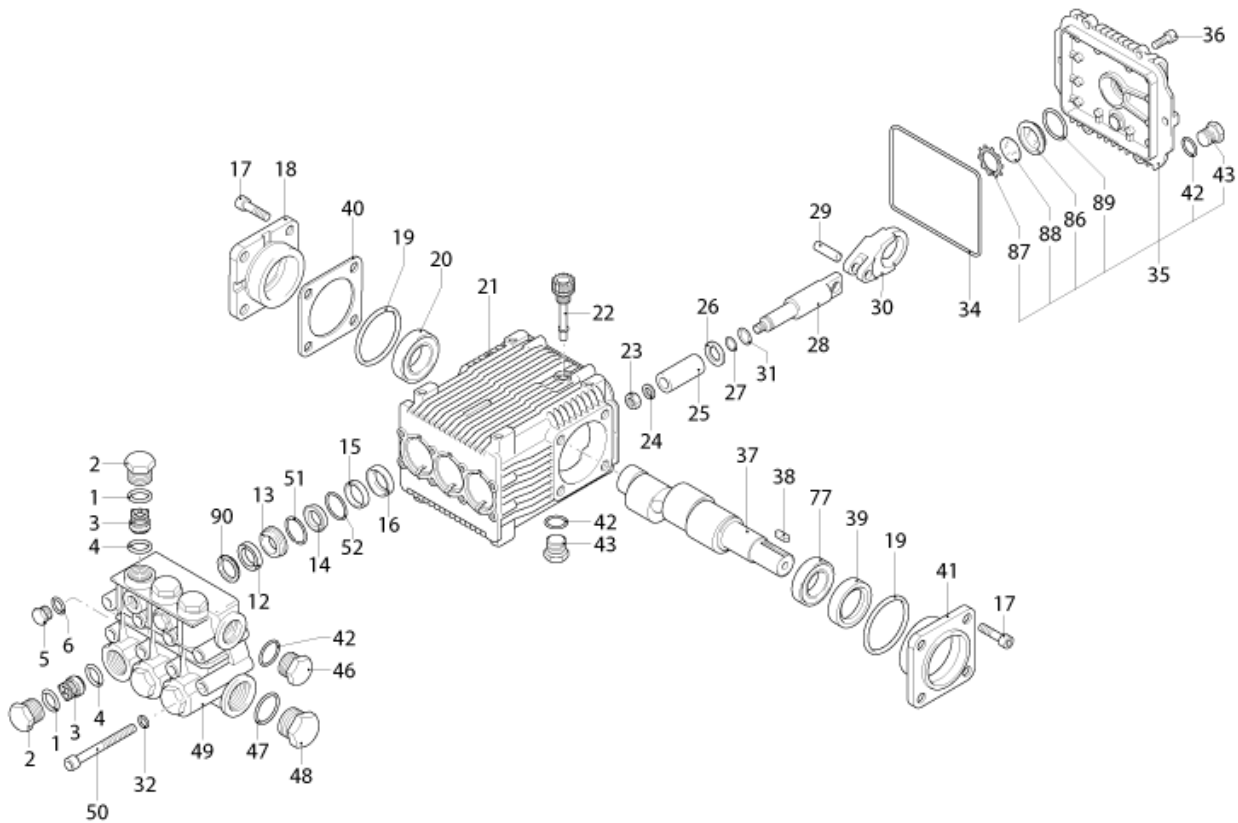
Ref.	K	Part N.	Customer Part N.	Description	Qty	Validity:		Price
						From	To	
K		METT40021		CONTACTOR SIE 3RT 2025-1AV00 400V	1,00	09/2014		--
K		METT89844		CONTACTOR SIE 3RT 1025 1AV00 400V	1,00		09/2014	--
IG		MECI89816		MICROSWITCH XGG2-86 Z284	1,00			--
TM		METY89835		TIMER THV/1+OPTO 380V 5/60 30S	1,00			--
CV1		MECB89887		CABLE H07RNF 4X4 L. 6.500	1,00			--



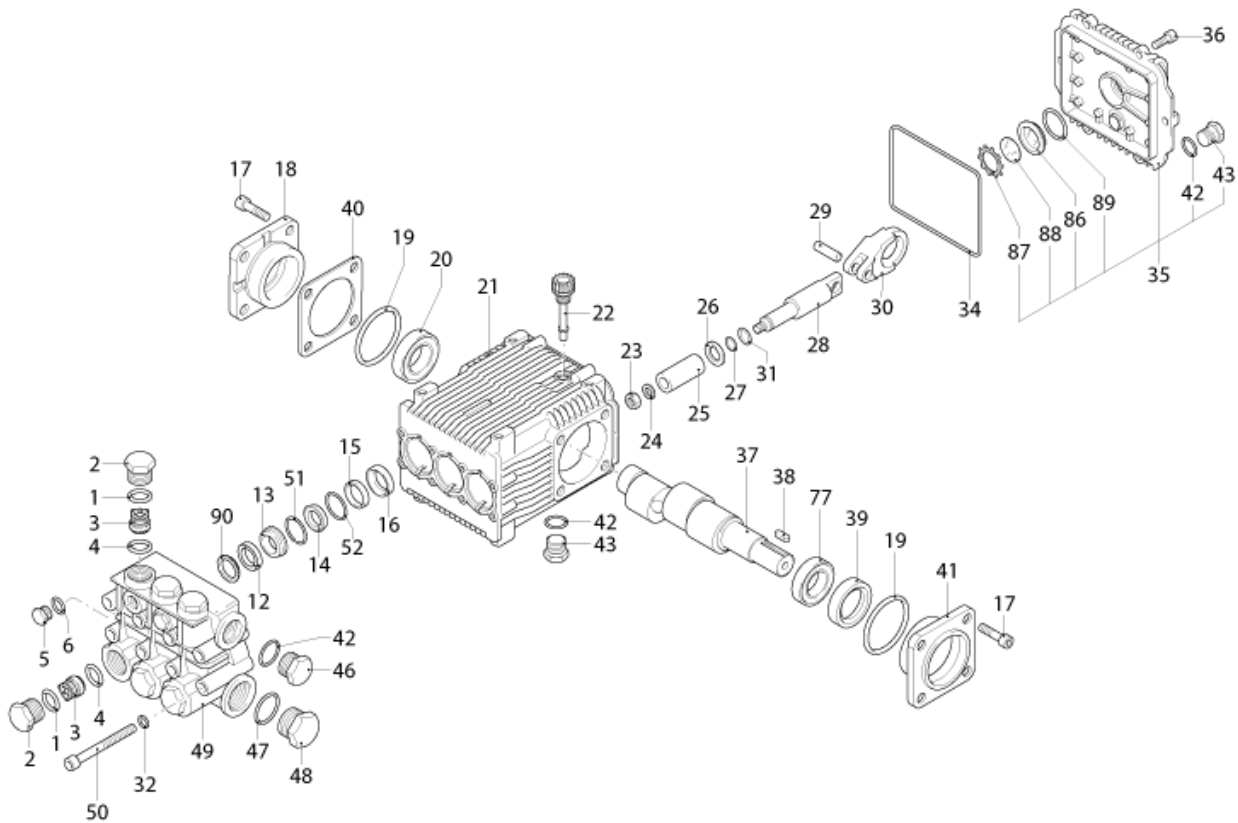
Ref.	K	Part N.	Customer Part N.	Description	Qty	Validity:		Price
						From	To	
0001		PVVR40381		GUN BODY G 5100 G1/4F	1,00			--
0002	S	GUVR40074		ANTI-EXTR.RING D. 3 X 7.4X1.3	1,00			--
0003	S	GUGO21835		O-RING D. 2.84 X 2.62 VIT. 80SH	1,00			--
0004		PVVR40382		PISTON GUIDE G 5100	1,00			--
0005	S	PVVR40112		BALL SEAT G 5000	1,00			--
0006	S	SFVR27026		BALL D.11/32" INX	1,00			--
0007		MLML40016		SPRING D. 9.4 x21.5x1.6 G5000	1,00			--
0008		GUGO12322		O-RING D. 14 X 1.78 NBR 90SH	1,00			--
0009		PVVR40383		CONNECTOR COLL.G5100 1/4F	1,00			--
0010		VTRS40017		WASHER D. 8,2X11,4X1,00 AL	4,00			--
0011		PVVR40384		TUBE G 1/4" L.105	1,00			--
0012		RCIN40022		CONNECTOR SWIV G5100 1/4F	1,00			--
0013		MPVR40486		RING NUT G 5100 SW. GR.	1,00			--
0014		RCIN40021		JOINT SWIV 5100 M22	1,00			--
0015	S	GUVR40075		ANTI-EXTR.RING D. 10 X14X1.5	1,00			--
0016	S	GUVR40076		ANTI-EXTR.RING D. 11.2X14X1.2	1,00			--
0017	S	GUGO15295		O-RING D. 10.82 X 1.78 VIT 80SH	1,00			--
0018		PVVR40386		SCREW SW. G 5100	1,00			--
0019		PVVR40387		SMALL PISTON G 5100	1,00			--
0021		MPVR40487		TRIGGER G 5100-SW	1,00			--
0022		VTVR40047		PLUG D. 4X29	2,00			--
0023		MLML40029		SPRING G 5100	1,00			--
0024		MPVR40488		SAFETY-DEVICE G 5100-SW	1,00			--
0025		MPVR40489		SHELL G 5100-SW DX	1,00			--
0026		MPVR40490		SHELL G 5100-SW SX	1,00			--
0027		VTVT40043		SCREW AF 4X 14 HILO ZN.N	6,00			--
0028		MPVR40491		PLATE G 5100 GR.DX	1,00			--
0029		MPVR40492		PLATE G 5100 GR.SX	1,00			--
0030		LCPR40086		TUBE 1/4 L=420 ZC. 0°	1,00			--
0031		MPVR40493		CONNECTOR G 5100-SW	1,00			--
0032		MPVR40494		PROTECTION P 420 C/AN.	1,00			--
0033		PVVR40119		CONNECTION M22X1,5 IRV G5000	1,00			--
0034		RCIN40009		GUDGEON G 1/4 F IRV G5000	1,00			--
0035		GUVR40034		ANTI-EXTR.RING D. 10 X14	1,00			--
0036		GUGO01946		O-RING D. 9.13 X 2.62 VIT 70SH	1,00			--
0037		MPVR40495		CAP G 5100 REM.	1,00			--
0038		MPVR40198		CAP G 5000	1,00			--



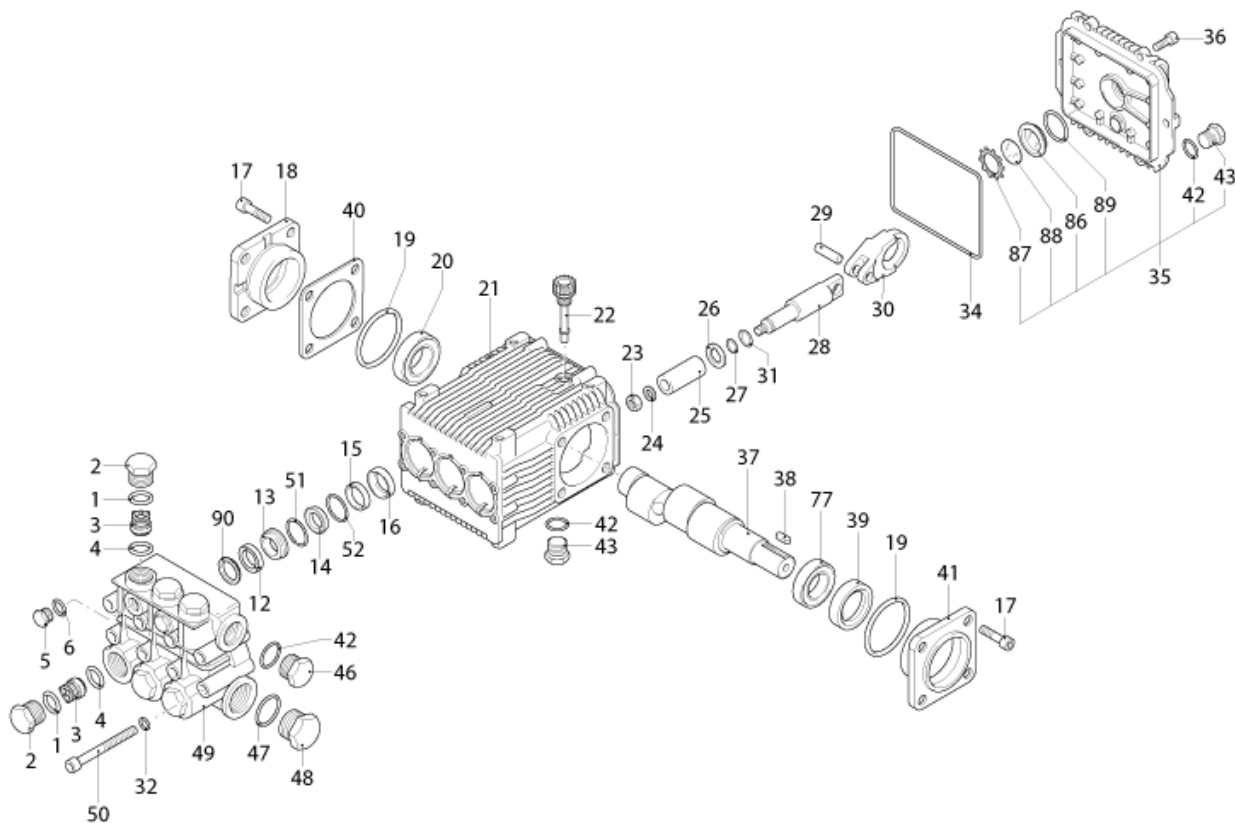
Ref. Part N.	Cust. Part N.	Description	Reference	Price
KTRI40242		KIT P 26- 25 G 5100	0002 0003 0005 0006	--
KTRI40243		KIT P 26- 25 SWIVEL G 5100	0015 0016 0017	--



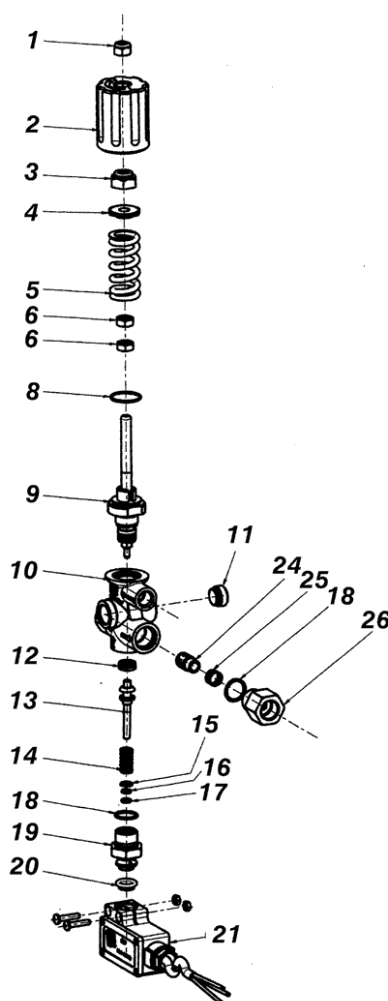
Ref.	K	Part N.	Customer Part N.	Description	Qty	Validity:		Price
						From	To	
0001		GUGO03502		O-RING D. 17.86 X 2.62 NBR 70SH	6,00			--
0002		PVVR40161		CAP AR RR	6,00			--
0003	S	VVAM40003		VALVE UNIT RR	6,00			--
0004	S	GUGO02259		O-RING D. 15.54 X 2.62 NBR 70SH	6,00			--
0005		PVVR40129		CAP 1/4 M RC	2,00			--
0006		GUGO01036		O-RING D. 10.82 X 1.78 NBR 70SH	2,00			--
0012	S	GUVR40051		PACKING D. 22 RK W1	3,00			--
0013		PVVR40212		INTERMED. RING D.22 RK	3,00			--
0014	S	GUVR40050		PACKING D. 22 RK W2	3,00			--
0015		PVVR40210		SPACER D. 35 RK	3,00			--
0016	S	GUGO40022		OIL SEAL RK	3,00			--
0017		VTVT01118		SCREW TCEI M 8X16 ZC. UNI 5931	8,00			--
0018		MFVR40038		CRANKASE COVER AR RK LT.	1,00			--
0019	S	GUGO01053		O-RING D. 60 X 2.62 NBR 70SH	2,00			--
0020		CUVR40011		BEARING 30304 DQ	1,00			--
0021		MFVR40039		PUMP CRANKCASE AR RK	1,00			--
0022		PVVR19231		OIL CAP XTS	1,00			--
0023		VTDD00483		NUT M 8 ZIN UNI 5588	3,00			--
0024		VTRS19394		WASHER D. 8X13X0.5	3,00			--
0025	S	PIVR40009		PISTON D.22X40 RK	3,00			--
0026		PVVR40218		DISC RK	3,00			--
0027		GUGO08071		O-RING D. 4.48 X 1.78 NBR 70SH	3,00			--
0028		PVVR40217		PISTON GUIDE RK	3,00			--
0029		PVVR40211		GUDGEON D. 10X25 RK	3,00			--
0030		BLVR40005		CONNECTING ROD RK	3,00			--
0031		GUVR40044		ANTI-EXTR.RING D. 5 X 8 X1	3,00			--
0032		VTRS00504		WASHER D. 8 TE ZC. UNI 6592	8,00			--
0034	S	GUGO40023		O-RING D. 106 X 3 NBR 70SH	1,00			--
0035		MFVR40041		CRANKASE COVER AR RK	1,00			--
0036		VTVT01114		SCREW TCEI 6X14 UNI 5931	6,00			--
0037		ALMO40017		SHAFT AR RK20.19 NC	1,00			--
0038		VTVR41531		KEY 8X 7X35 UNI 6604A	1,00			--
0039	S	GUGO01245		CARRYNG BAG	1,00			--
0040		PVVR40214		THICKNESS AR 0,20 mm	1,00			--
0041		MFVR40040		CRANKASE COVER AR RK LAT. OPEN	1,00			--
0042		GUGO09720		O-RING D. 14 X 1.78 NBR 70SH	3,00			--
0043		PVVR40099		CAP 3/8 M HRM	1,00			--
0046		PVVR40099		CAP 3/8 M HRM	1,00			--
0047		GUGO19245		O-RING D. 17.5 X 2 NBR 70SH	1,00			--



Ref.	K	Part N.	Customer Part N.	Description	Qty	Validity:		Price
						From	To	
0048		PVVR40121		CAP 1/2 M RC	1,00			--
0049		MFVR40042		HEAD AR RK OT.	1,00			--
0050		VTVT37530		SCREW TCEI M 8X70 UNI 5931	8,00			--
0051	S	GUGO10379		O-RING D. 22 X 2 NBR 70SH	3,00			--
0052	S	GUGO40024		O-RING D. 28.25 X 1.78 NBR 70SH	3,00			--
0077		CUVR66788		BEARING D.25X52X16,25 30205 SKF	1,00			--
0086		PVVR19238		OIL INDICATOR XTS	1,00			--
0087		VTAE19239		SEEGER 0,5 X25,35X16,0	1,00			--
0088		PVVR40199		DISC CONTRASTO POMPA RW	1,00			--
0089		GUGO19395		O-RING D. 20.24 X 2.62 NBR 70SH	1,00			--



Ref.	Part N.	Cust. Part N.	Description	Reference	Price
K A	KTRI40142		KIT P 15-42909 RR	0003 0004	--
K B	KTRI40166		KIT P 15-2526 D.22 RK	0025	--
K C	KTRI40167		KIT P 15-1855 RK	0016 0019 0034 0039	--
K E	KTRI40168		KIT P 15-42925 D.22 RK	0012 0014 0051 0052	--



Ref.	K	Part N.	Customer Part N.	Description	Qty	Validity:		Price
						From	To	
0001		VTDD89669		NUT M 8 X1 AUT. INX A2	1,00			--
0002		MPVR40002		KNOB BP9 BK.	1,00			--
0003		VTDD88134		NUT M 8 BY-PASS BP91	1,00			--
0004		PVVR88140		SPRING PLATE BP91	1,00			--
0005		MLML40001		SPRING D.15.6 X27 L=51.5 250B.	1,00			--
0006		VTDD40000		NUT M 8 X1 UNI5588 INX A2	1,00			--
0008		GUGO11652		O-RING D. 12.42 X 1.78 NBR 70SH	1,00			--
0009		PVVR40016		PUSH ROD BP9 CP.	1,00			--
0010		PVVR88137		VALVE BODY BP91 RIT.3/8"F	1,00			--
0011		PVVR88139		CAP 3/8 M BP91	1,00			--
0012		PVVR88135		INSERT BY-PASS BP91	1,00			--
0013		PVVR40017		CONTROL PISTON BP9+SW.	1,00			--
0014		MLML40002		SPRING D. 7.3 X10.1 L=24.3 INX	1,00			--
0015		GUVR40004		ANTI-EXTR.RING D. 5.1X 7.9X1.5	1,00			--
0016		GUGO08071		O-RING D. 4.48 X 1.78 NBR 70SH	1,00			--
0017		VTRS00516		WASHER D. 5 INX	1,00			--
0018		GUGO03505		O-RING D. 15.6 X 1.78 NBR 70SH	2,00			--
0019		PVVR40018		VALVE GUIDE BP9	1,00			--
0020		GUGO40001		GASKET BP9	1,00			--
0021		MEPF40000		PRESSURE SWITCHBP9 -3F.	1,00			--
0022		VTDD00147		NUT M 4 INX U.5588	2,00			--
0023		VTVT27366		SCREW M 4X20 TCB T-CROCE INOX	2,00			--
0024		PVVR49636		SMALL PISTON BP91 C/OR	1,00			--
0025		MLML40004		SPRING BP 9	1,00			--
0026		PVVR49638		CONNECTOR BP91 3/8F	1,00			--