



IPC Integrated Professional Cleaning

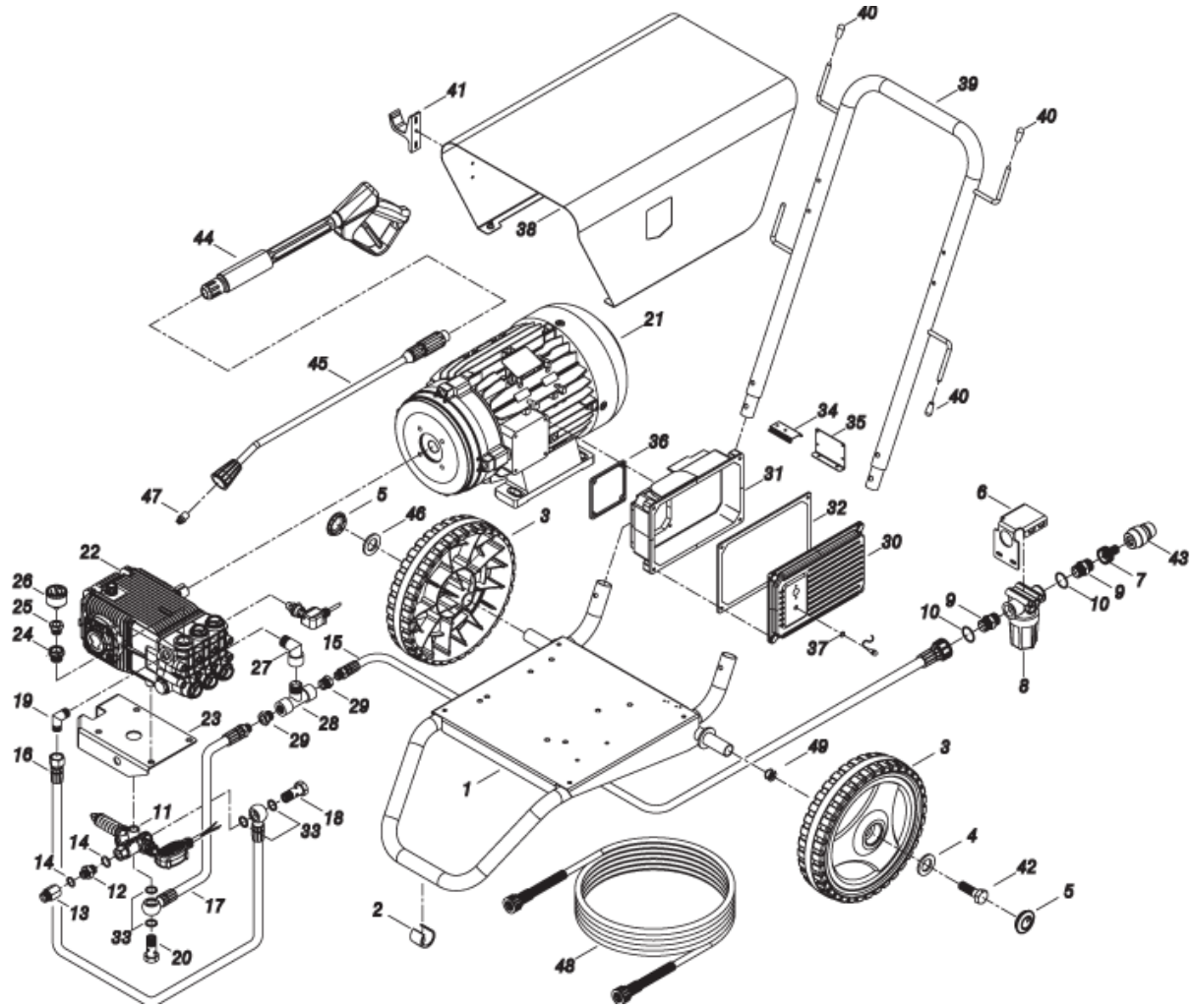
IPC Portotecnica

Spare Parts List

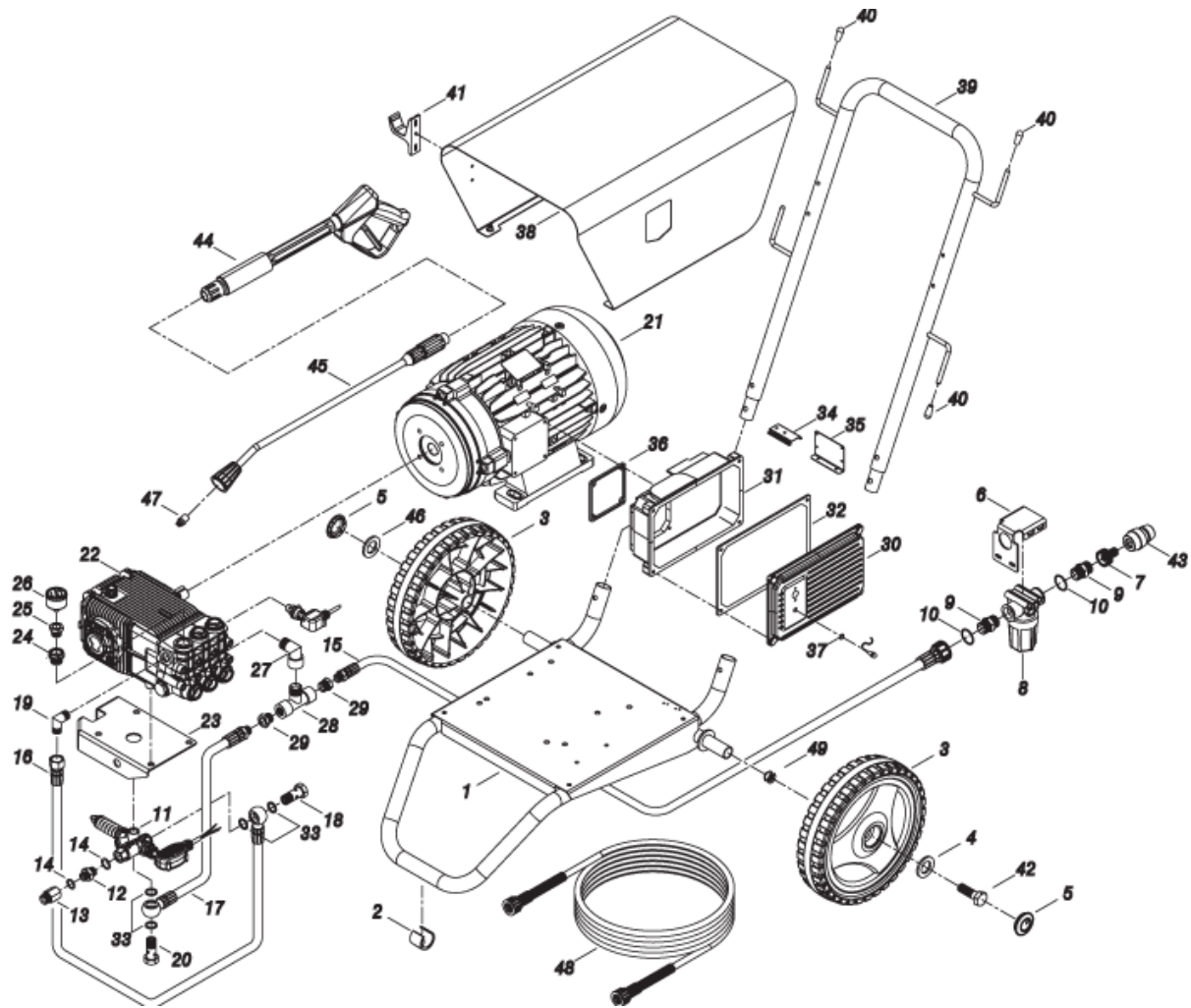
IPF ENGINEERING LTD

Ref: IDAF40832

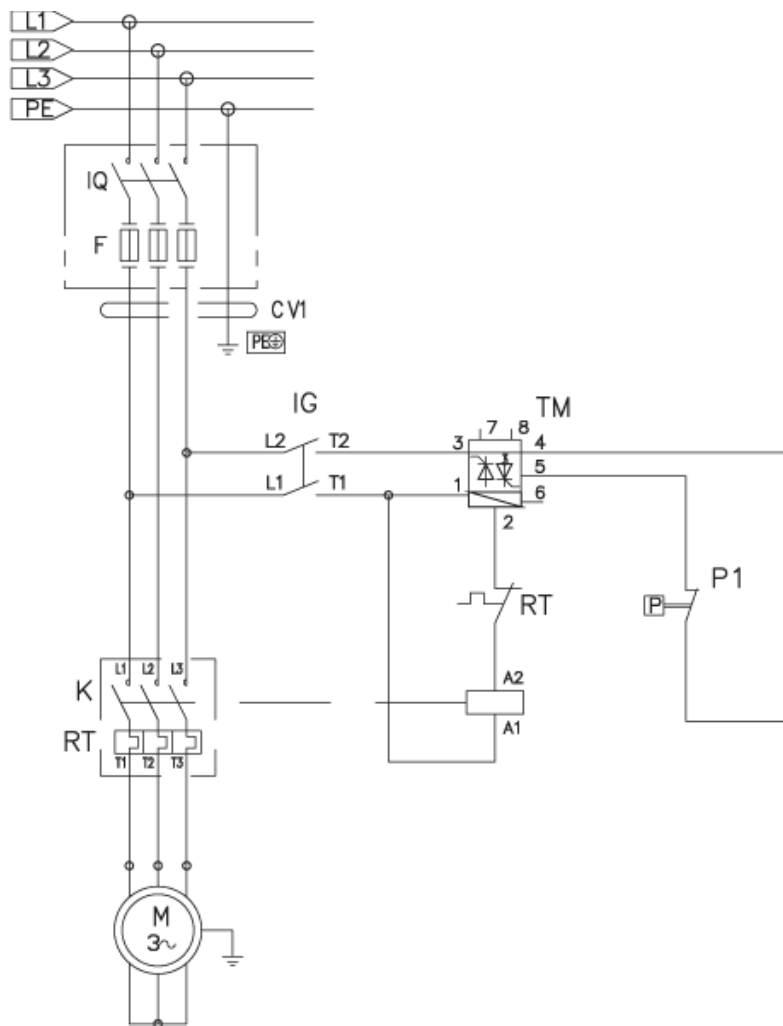
Model: IDROP PW-C85 D2030P T 400/50 3-08IPC



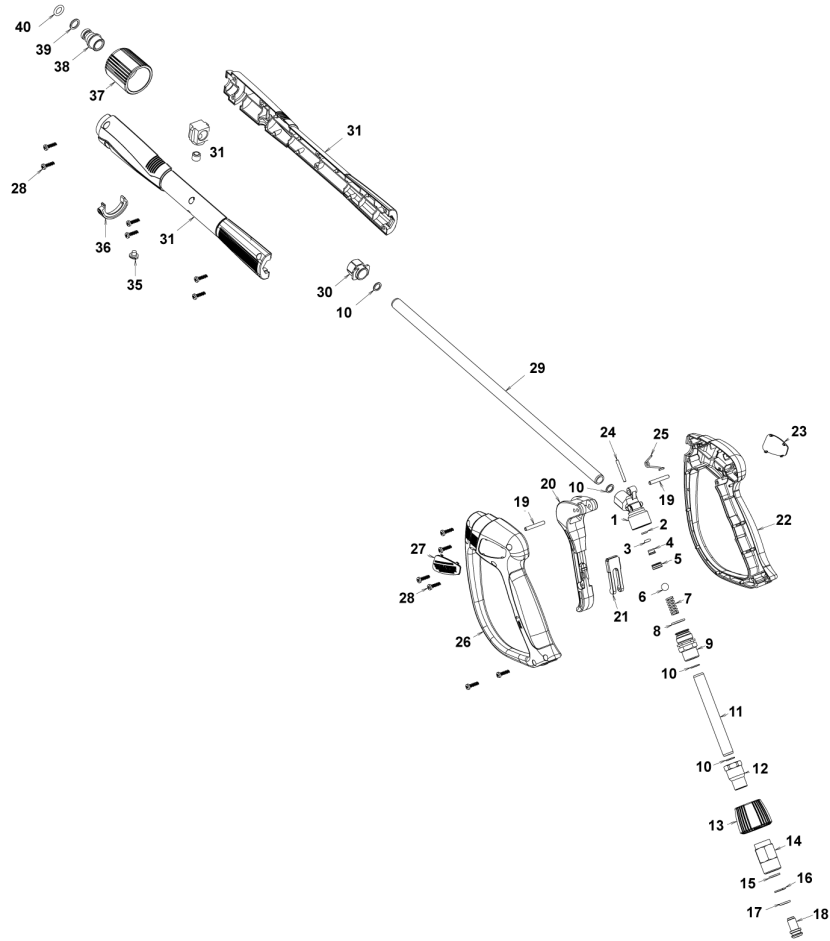
Ref.	K	Part N.	Customer Part N.	Description	Qty	Validity: From To	Price
0001		LAFN40848		TROLLEY PW-C85 12-15HP/Rt.F. AL.	1,00		--
0002		MPVR40787		FOOT D.28-30MM P.7.5MM	1,00		--
0003		RTRT40042		WHEEL D.300-D.25 FLY-IPC	2,00		--
0004		VTRS00513		WASHER D. 8 X32 P.	1,00		--
0005		MPVR40782		HUB CAP D.50 G-48/IPC BK.	2,00		--
0006		LAFN40811		FILTER BRACKET PW-C85 10HP AL.	1,00		--
0007		RCVR29600		SOCKET PTC 3/4 F	1,00		--
0008		FTAC40015		WATER FILTER 3/4 FF 100MS 55L/1 TC	1,00		--
0009		RCVR40006		NIPPLE 3/4 - 3/4 D.18 L=60 PPL	2,00		--
0010		GUGO01043		O-RING D. 25.07 X 2.62 NBR 70SH	2,00		--
0011		VVAZ40077		VALVE VRT100 1/2F 35MPa +SW	1,00		--
0012		RCDS00611		NIPPLE 1/2 - 3/8 SV	1,00		--
0013		RCIN03753		MALE COUPLING M22-3/8 M-FA	1,00		--
0014		VTRS00548		WASHER D.17.5X23X1,5 (3/8)RM	2,00		--
0015		TBBP40098		L.P. HOSE L=340 3/4F 0° -3/4M 0°	1,00		--
0016		TBAP40186		HOSE-FITTING 3/8 R1 L=370 1/2OC-3/8F	1,00		--
0017		TBAP40187		HOSE-FITTING 1/2 R1 L=270 1/2OC.-1/2M	1,00		--
0018		RCDS16328		SCREW G 1/2 D.8	1,00		--
0019		RCVR40590		ELBOW 3/8" M A.P. OT.MTM	1,00		--
0020		RCDS40233		SCREW 1/2 C/SC. L=46.0 D.13.5	1,00		--
0021		MOTR40061		3PH MOTOR B3-14 HP15 23/400-50 4P	1,00		--
0022		PPAP40118		PUMP XW 30.10 DX N	1,00		--
0023		LAFN40815		VALVE BRACKET PW-C85/15 AL.	1,00		--
0024		PVVR40450		CAP AR XWLA +1/8F	1,00		--
0025		RCVR40156		SLEEVE 1/8 M/F L= 23 OT.NK	1,00		--
0026		MNMN18650		PRESSURE GAUGE 0-300 D.40	1,00		--
0027		RCVR40176		ELBOW 3/4" M/F O.NIK	1,00		--
0028		RCVR40175		CONNECTOR T 3/4 F/M/F OT.NIK	1,00		--
0029		RCVR40042		REDUCTION 3/4-1/2 M/F NIK	2,00		--
0030		MEVR40186		BOX COVER PW-C85 ALL.	1,00		--
0031		MEVR40187		CONTROL BOX PW-C85 15Hp ALL.	1,00		--
0032		GUGO40068		GASKET COPERCH. H132 RV	1,00		--
0033		VTRS00549		WASHER D.21,5X27X1,5 (1/2) RM	4,00		--
0034		LAFN40829		SUPPORT L.60 PW-C85	1,00		--
0035		LAFN40828		BRACKET PW-C85 ZC.	1,00		--
0036		GUGO40067		GASKET H132 RV IP55	1,00		--
0038		LAFN40814		COVERING PW-C85 12-15HP AL.	1,00		--
0039		LAFN40905		HANDLE PW-C85 12-15HP/IPC AL.	1,00		--
0040		MPVR32471		PROD D. 8 BK	4,00		--



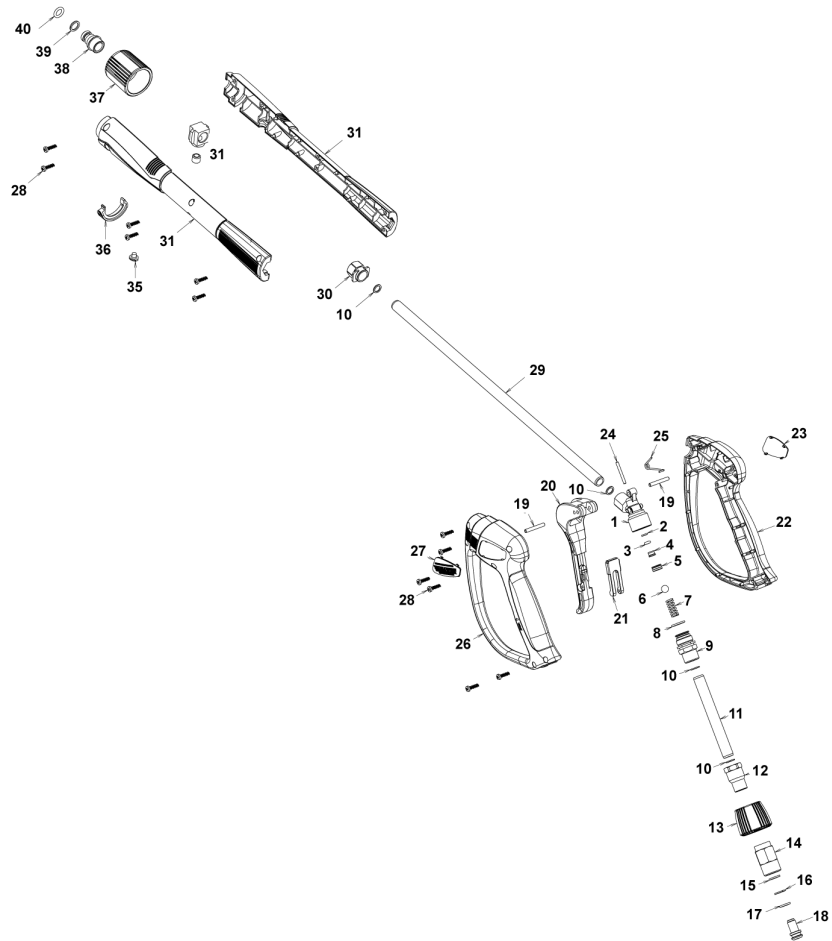
Ref.	K	Part N.	Customer Part N.	Description	Qty	Validity:		Price
						From	To	
0041		MPVR14947		LANCE REST NYL 66	1,00			--
0042		VTVT00447		SCREW TE 8X25 UNI5739	1,00			--
0043		RCVR29602		CONNECTOR D. 1/2"-5/8" PTC	1,00			--
0044		IPPR40020		GRIP G 6000+P.330 +M22 SW.M V	1,00			--
0045		LCPR12976		EXTENSION P 70	1,00			--
0046		VTRS09813		WASHER D.25	1,00			--
0047		UGLN02314		NOZZLE LECH 1/4 2510	1,00			--
0048		TBAP40010		H.P. HOSE R2 MT 10 3/ 8" C/2 IRV IX	1,00			--
0049		VTVR40056		INSERT M 8 CROWN-NUT IT-D.21.4	1,00			--



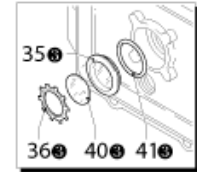
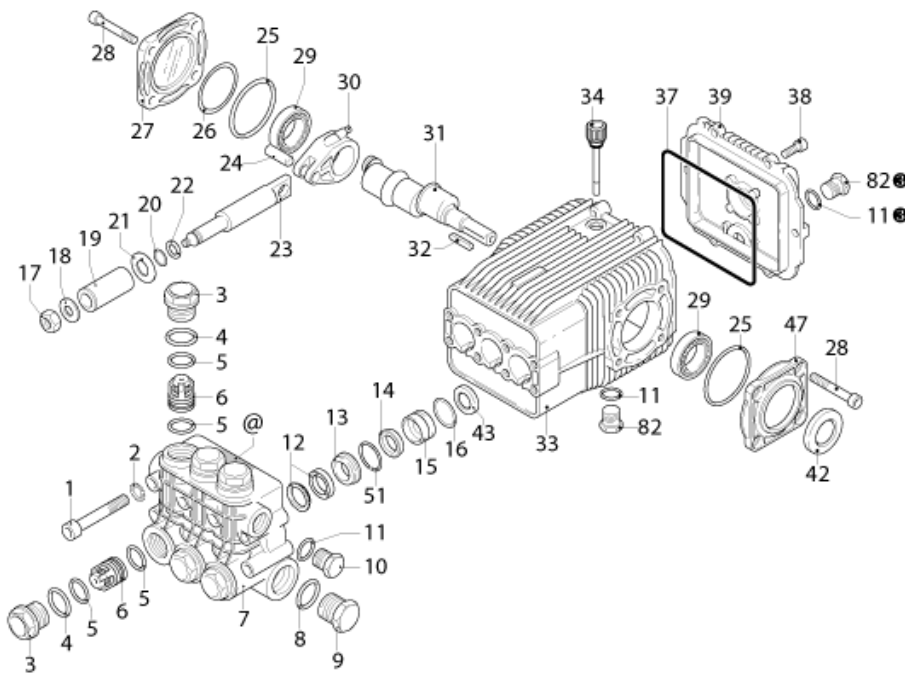
Ref.	K	Part N.	Customer Part N.	Description	Qty	Validity:		Price
						From	To	
K		METT40048		CONTACTOR CGE CL 25A 300TU 400V 50H	1,00			--
IG		MECI40036		SWITCH BRM BP. 0-1 12A +M.0-I	1,00			--
RT		METT40050		THERMAL RELAY GE RT 1U 21.0 -26.0A	1,00			--
TM		METY40008		TIMER THV/1 400-5/60 30S.AF2.0	1,00			--
CV1		MECB89887		CABLE H07RNF 4X4 L. 6.500	1,00			--



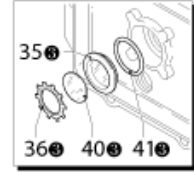
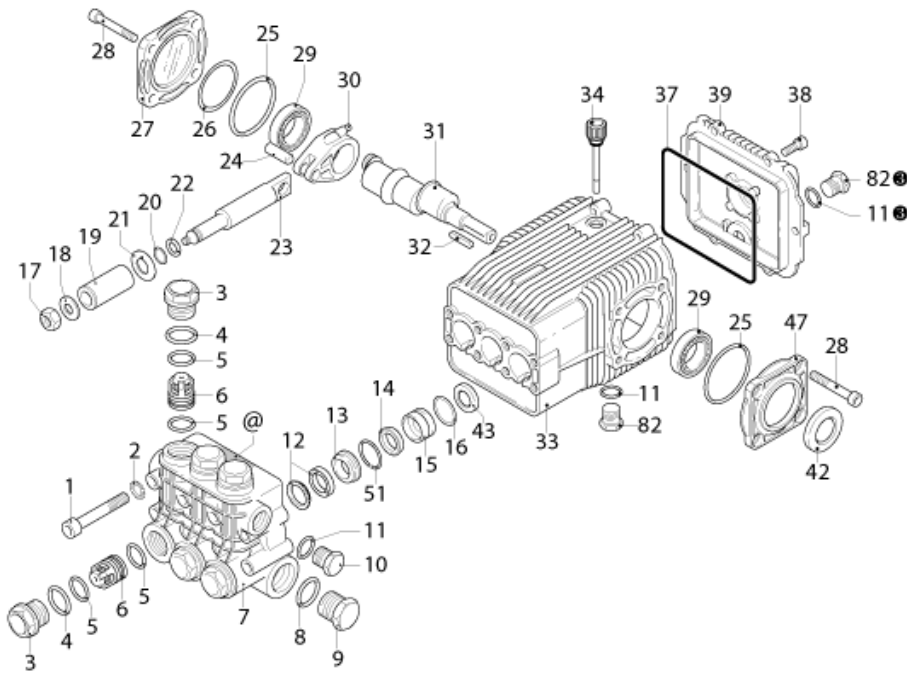
Ref.	K	Part N.	Customer Part N.	Description	Qty	Validity: From To	Price
0001		PVVR40381		GUN BODY G 5100 G1/4F	1,00		--
0002	S	GUVR40074		ANTI-EXTR.RING D. 3 X 7.4X1.3	1,00		--
0003	S	GUGO21835		O-RING D. 2.84 X 2.62 VIT. 80SH	1,00		--
0004		PVVR40382		PISTON GUIDE G 5100	1,00		--
0005	S	PVVR40112		BALL SEAT G 5000	1,00		--
0006	S	SFVR40002		BALL D.11/32" ALL.GR16	1,00		--
0007		MLML40016		SPRING D. 9.4 x21.5x1.6 G5000	1,00		--
0008		GUGO12322		O-RING D. 14 X 1.78 NBR 90SH	1,00		--
0009		PVVR40383		CONNECTOR COLL.G5100 1/4F	1,00		--
0010		VTRS40017		WASHER D. 8,2X11,4X1,00	4,00		--
0011		PVVR40384		TUBE G 1/4" L.105	1,00		--
0012		RCIN40022		CONNECTOR SWIV G5100 1/4F	1,00		--
0013		MPVR40819		RING NUT G 5100 SW. BK.	1,00		--
0014		RCIN40021		JOINT SWIV 5100 M22	1,00		--
0015	S	GUVR40075		ANTI-EXTR.RING D. 10 X14X1.5	1,00		--
0016	S	GUVR40076		ANTI-EXTR.RING D. 11.2X14X1.2	1,00		--
0017	S	GUGO15295		O-RING D. 10.82 X 1.78 VIT 80SH	1,00		--
0018		PVVR40386		SCREW SW. G 5100	1,00		--
0019		VTVR40047		PLUG D. 4X29	2,00		--
0020		MPVR40820		TRIGGER G 6000-SW	1,00		--
0021		MPVR40821		SAFETY-DEVICE G 6000-SW	1,00		--
0022		MPVR40822		SHELL G 6000-SW DX	1,00		--
0023		MPVR40823		PLATE G 6000 GR.DX	1,00		--
0024		PVVR40387		SMALL PISTON G 5100	1,00		--
0025		MLML40029		SPRING G 5100	1,00		--
0026		MPVR40824		SHELL G 6000-SW SX	1,00		--
0027		MPVR40825		PLATE G 6000 GR.SX	1,00		--
0028		VTVT40043		SCREW AF 4X 14 HILO ZN.N	12,00		--
0029		LCPR40086		TUBE 1/4 L=420 ZC. 0°	1,00		--
0030		MPVR40493		CONNECTOR G 5100-SW	1,00		--
0031		MPVR40494		PROTECTION P 420 C/AN.	1,00		--
0035		MPVR40198		CAP G 5000	1,00		--
0036		MPVR40495		CAP G 5100 REM.	1,00		--
0037		PVVR40119		CONNECTION M22X1,5 IRV G5000	1,00		--
0038		RCIN40009		GUDGEON G 1/4 F IRV G5000	1,00		--
0039		GUVR40034		ANTI-EXTR.RING D. 10 X14	1,00		--
0040		GUGO01946		O-RING D. 9.13 X 2.62 VIT 70SH	1,00		--



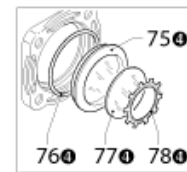
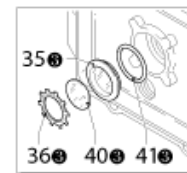
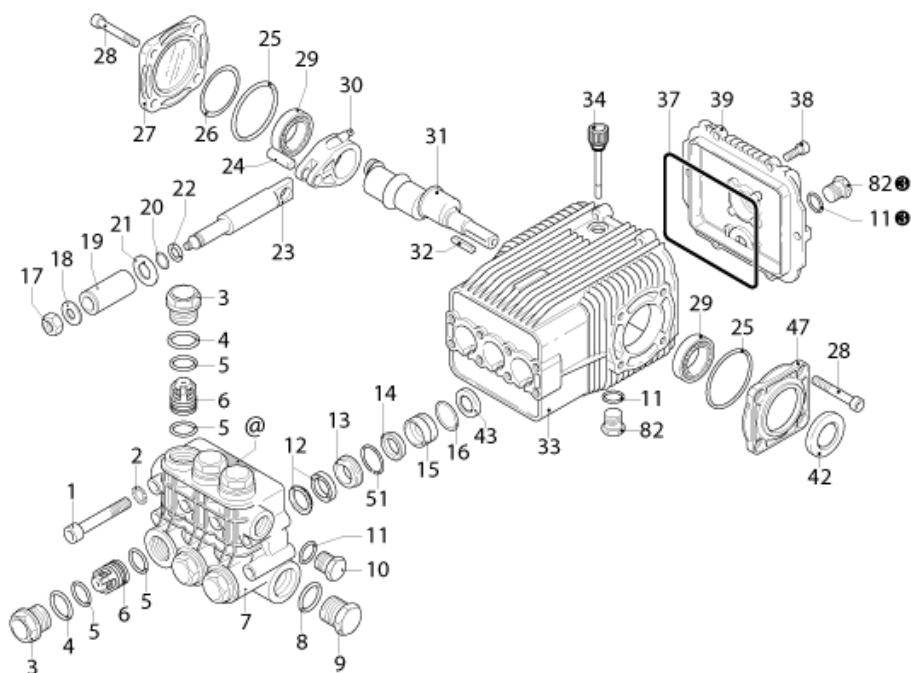
Ref. Part N.	Cust. Part N.	Description	Reference	Price
KTRI40243		KIT P 26- 26 SWIVEL G 5100	0015 0016 0017	--
KTRI40414		KIT P 26- 34 G 6000	0002 0003 0005 0006	--



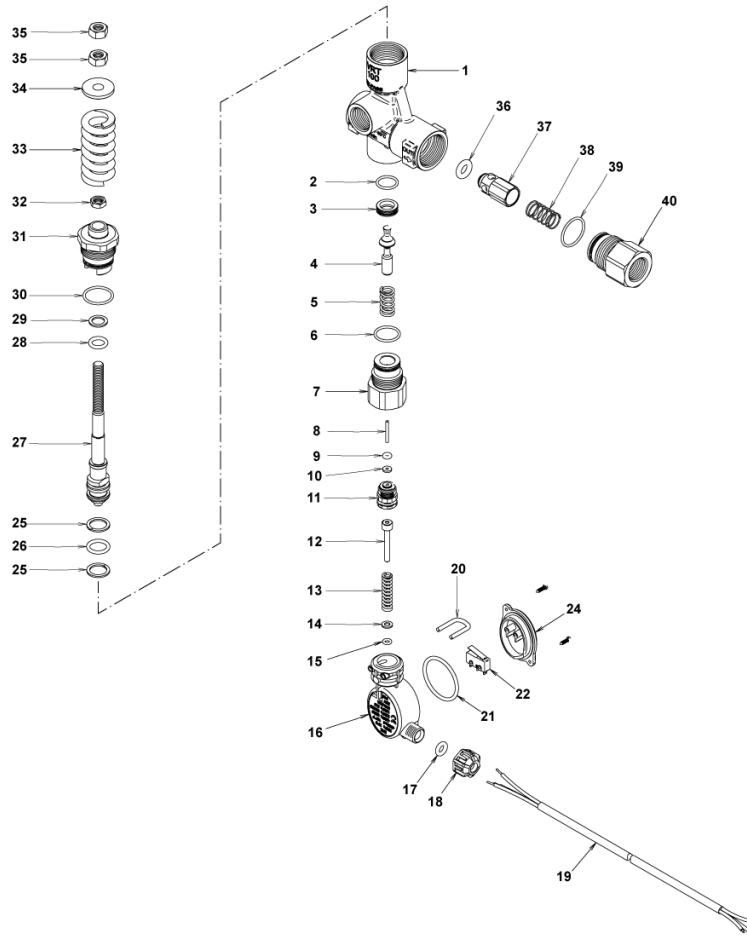
Ref.	K	Part N.	Customer Part N.	Description	Qty	Validity:		Price
						From	To	
0002		VTRS00519		WASHER D.10 DT	8,00			--
0003		PVVR40220		CAP AR XWLA	6,00			--
0004		PVVR49445		RING XW	6,00			--
0005	S	GUGO19395		O-RING D. 20.24 X 2.62 NBR 70SH	12,00			--
0006	S	VVAM40006		VALVE UNIT XWLA	6,00			--
0007		MFVR40069		HEAD AR XW OT. D.22	1,00			--
0008		GUGO01037		O-RING D. 23.81 X 2.62 NBR 70SH	1,00			--
0009		PVVR40221		CAP 3/4G M XWLA	1,00			--
0010		PVVR40099		CAP 3/8 M HRM	1,00			--
0011		GUGO09720		O-RING D. 14 X 1.78 NBR 70SH	3,00			--
0012	S	GUVR40051		PACKING D. 22 RK W1	3,00			--
0013	S	PVVR40452		INTERMED. RING D.22 XW	3,00			--
0014	S	GUVR40050		PACKING D. 22 RK W2	3,00			--
0015	S	PVVR40454		INTERMED. RING D. 22 XW	3,00			--
0016	S	GUGO63438		O-RING D. 34.65 X 1.78 NBR 70SH	3,00			--
0017		VTDD40005		NUT TEN. PISTONE	3,00			--
0018		VTRS40012		WASHER D. 8,1x18,5x1	3,00			--
0019	S	PIVR40016		PISTON D.22 XW	3,00			--
0020		GUGO03496		O-RING D. 9.25 X 1.78 NBR 70SH	3,00			--
0021		PVVR40455		DISC XW	3,00			--
0022		GUVR40010		ANTI-EXTR.RING D. 9 X13	3,00			--
0023		PVVR40223		PISTON GUIDE XWLA	3,00			--
0024		PVVR40186		GUDGEON D. 14 RW	3,00			--
0025	S	GUGO01132		O-RING D. 66.35 X 2.62 NBR 70SH	2,00			--
0026		PVVR40187		THICKNESS AR 0,05 mm	3,00			--
0026		PVVR40189		THICKNESS AR 0,10 mm	3,00			--
0026		PVVR40192		THICKNESS AR 0,19 mm	3,00			--
0026		PVVR40193		THICKNESS AR 0,25 mm	3,00			--
0027		MFVR40035		CRANKCASE COVER AR RW LAT. CPL	1,00			--
0028		VTVT01118		SCREW TCEI M 8X16 ZC. UNI 5931	8,00			--
0029		CUVR09205		ROLLER BEARING 32206 A	2,00			--
0030		BLVR40006		CONNECTING ROD SHPA	3,00			--
0031		ALMO40039		SHAFT AR XW 30.10 N	1,00			--
0032		VTVR06364		KEY 8 X7 X40	1,00			--
0033		MFVR40032		PUMP CRANKCASE AR RW	1,00			--
0034		PVVR40150		OIL CAP AR SHP	1,00			--
0035		PVVR19238		OIL INDICATOR XTS	1,00			--
0036		VTAE19239		SEEGER 0,5 X25,35X16,0	1,00			--
0037	S	GUGO40020		O-RING D. 132 X 3 NBR 70SH	1,00			--



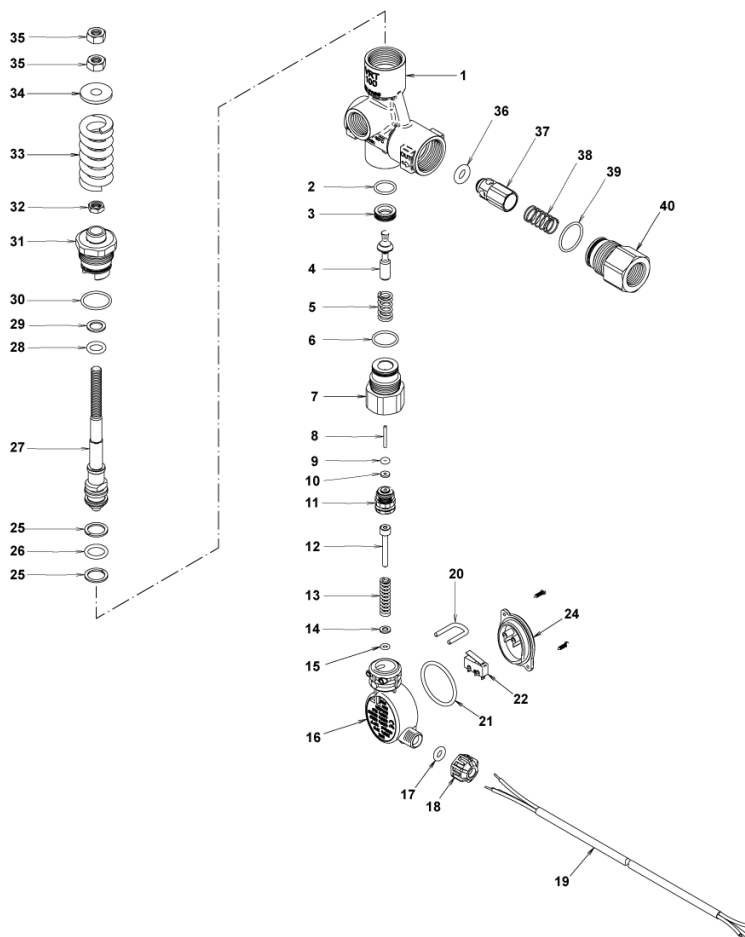
Ref.	K	Part N.	Customer Part N.	Description	Qty	Validity:		Price
						From	To	
0038		VTVT09913		SCREW TCEI 6X16 UNI5931	6,00			--
0039		MFVR40034		CRANKASE COVER AR RW	1,00			--
0040		PVVR40199		DISC CONTRASTO POMPA RW	1,00			--
0041		GUGO19395		O-RING D. 20.24 X 2.62 NBR 70SH	1,00			--
0042	S	GUGO11229		OIL SEAL 30X 52X 7 NBR70	1,00			--
0043	S	GUGO40019		OIL SEAL RW	3,00			--
0047		MFVR40033		CRANKASE COVER AR RW LAT. OPEN	1,00			--
0051	S	GUGO10379		O-RING D. 22 X 2 NBR 70SH	3,00			--
0075		PVVR40200		OIL INDICATOR RW	1,00			--
0076		GUGO01943		O-RING D. 34.6 X 2.62 NBR 70SH	1,00			--
0077		PVVR40202		DISC CONTRASTO POMPA RW	1,00			--
0078		VTAE40004		SEEGER 0,5 X40,40X30,0	1,00			--
0079		PVVR40235		CAP 3/4G M XWL	1,00			--
0082		PVVR40099		CAP 3/8 M HRM	2,00			--



Ref.	Part N.	Cust. Part N.	Description	Reference	Price
K A	KTRI45173		KIT P 15-2780 XW	0005 0006	--
K B	KTRI40389		KIT P 15-1891 XW D.22	0019	--
K C	KTRI45175		KIT P 15-42906 XW	0025 0037 0042 0043	--
K E	KTRI40390		KIT P 15-2783 XW D.22	0012 0014 0016 0051	--
K H	KTRI40391		KIT P 15-2785 XW D.22	0013 0015	--



Ref.	K	Part N.	Customer Part N.	Description	Qty	Validity:		Price
						From	To	
0001		PVVR40459		VALVE BODY VRT100 1/2F	1,00			--
0002	S	GUGO12322		O-RING D. 14 X 1.78 NBR 90SH	1,00			--
0003	S	PVVR40460		VALVE SEAT VRT-100	1,00			--
0004	S	PVVR40461		COUPLING VRT100-60°	1,00			--
0005		MLML40036		SPRING VRT-100	1,00			--
0006	S	GUGO24913		O-RING D. 17.17 X 1.78 NBR 90SH	1,00			--
0007		PVVR40462		CONNECTOR VRT-100 P/PS2 OT	1,00			--
0008		PVVR40463		PUSH ROD VRT-100 P/PS2	1,00			--
0009	S	GUGO40069		O-RING D. 2.05 X 2.62 NBR 70SH	1,00			--
0010	S	GUVR40091		ANTI-EXTR.RING D. 2.2X 7.0X1.3 TB	1,00			--
0011		PVVR40464		CONNECTOR PS2 VRT-100	1,00			--
0012		PVVR40465		CONTROL ROD PS2 VRT-100	1,00			--
0013		MLML40037		SPRING D. 6.5 X32 D.1.6	1,00			--
0014		VTRS40032		WASHER D. 4.5X8.5X1.0 OT	1,00			--
0015		GUGO01062		O-RING D. 3.69 X 1.78 NBR 70SH	1,00			--
0016		MPVR40816		SHELL PS2 BK.	1,00			--
0017		GUGO46053		O-RING D. 6 X 3 NBR 90SH	1,00			--
0018		MPVR40814		RING NUT PS3 BK.	1,00			--
0019		MECB40342		CABLE 3X0.75 L=1.2 BK.	1,00			--
0020		LAFN40886		PLUG "U" PS6	1,00			--
0021		GUGO40070		O-RING D. 32.99 X 2.62 NBR 70SH	1,00			--
0022		MECI40040		MICROSWITCH XG PS2	1,00			--
0024		MPVR40817		COVER PS2 BK.	1,00			--
0025	S	GUVR40092		ANTI-EXTR.RING D.13.5X18 X1.2 TBT	2,00			--
0026	S	GUGO15198		O-RING D. 13.10 X 2.62 NBR 70SH	1,00			--
0027		PVVR40466		PUSH ROD VRT-100	1,00			--
0028	S	GUGO01060		O-RING D. 9.92 X 2.62 NBR 70SH	1,00			--
0029	S	GUVR40093		ANTI-EXTR.RING D.10 X14.5X1.2 TB	1,00			--
0030	S	GUGO40071		O-RING D. 20.35 X 1.78 NBR 90SH	1,00			--
0031		PVVR40467		ROD GUIDE VRT-100	1,00			--
0032		VTDD40011		NUT M 8 OT UNI EN 24035	1,00			--
0033		MLML40025		SPRING D. 5.7/20.7X56 25MPa	1,00			--
0034		VTRS40033		WASHER VRT-3	1,00			--
0035		VTDD00483		NUT M 8 ZIN UNI 5588	2,00			--
0036	S	GUGO40072		O-RING D. 8 X 4 NBR 70SH	1,00			--
0037		PVVR40468		COUPLING VRT-100	1,00			--
0038		MLML40038		SPRING VRT-100	1,00			--
0039	S	GUGO40073		O-RING D. 21.91 X 1.78 NBR 90SH	1,00			--
0040		PVVR40469		CONNECTOR VRT-100 G1/2F	1,00			--



Ref. Part N.	Cust. Part N.	Description	Reference	Price
KTRI40393	KIT P	14-113 VRT100 +PS2	0002 0003 0004 0006 0009 0010 0025 0026 0028 0030 0036 0039 0029	--