



IPC Integrated Professional Cleaning

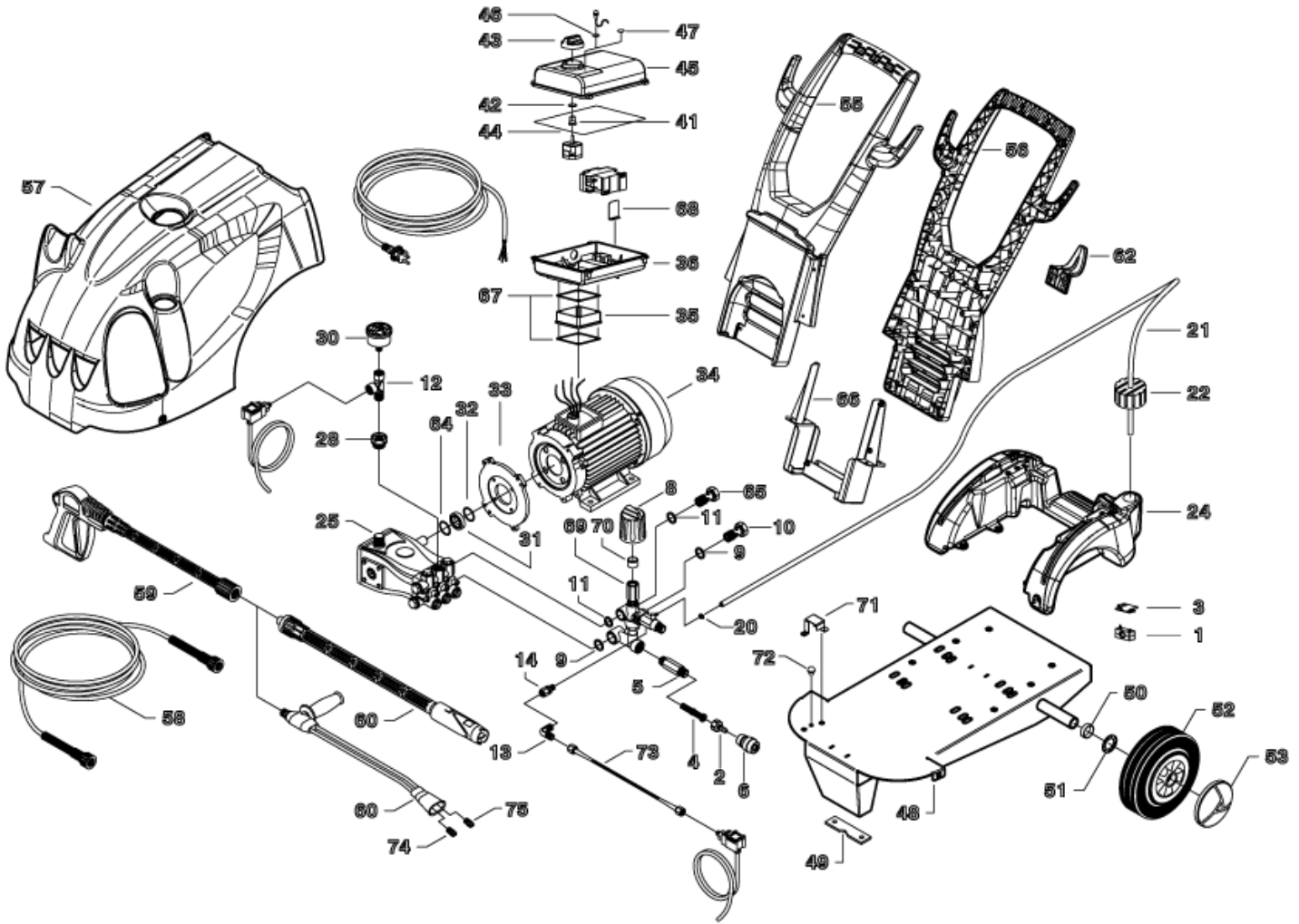
IPC Portotecnica

Spare Parts List

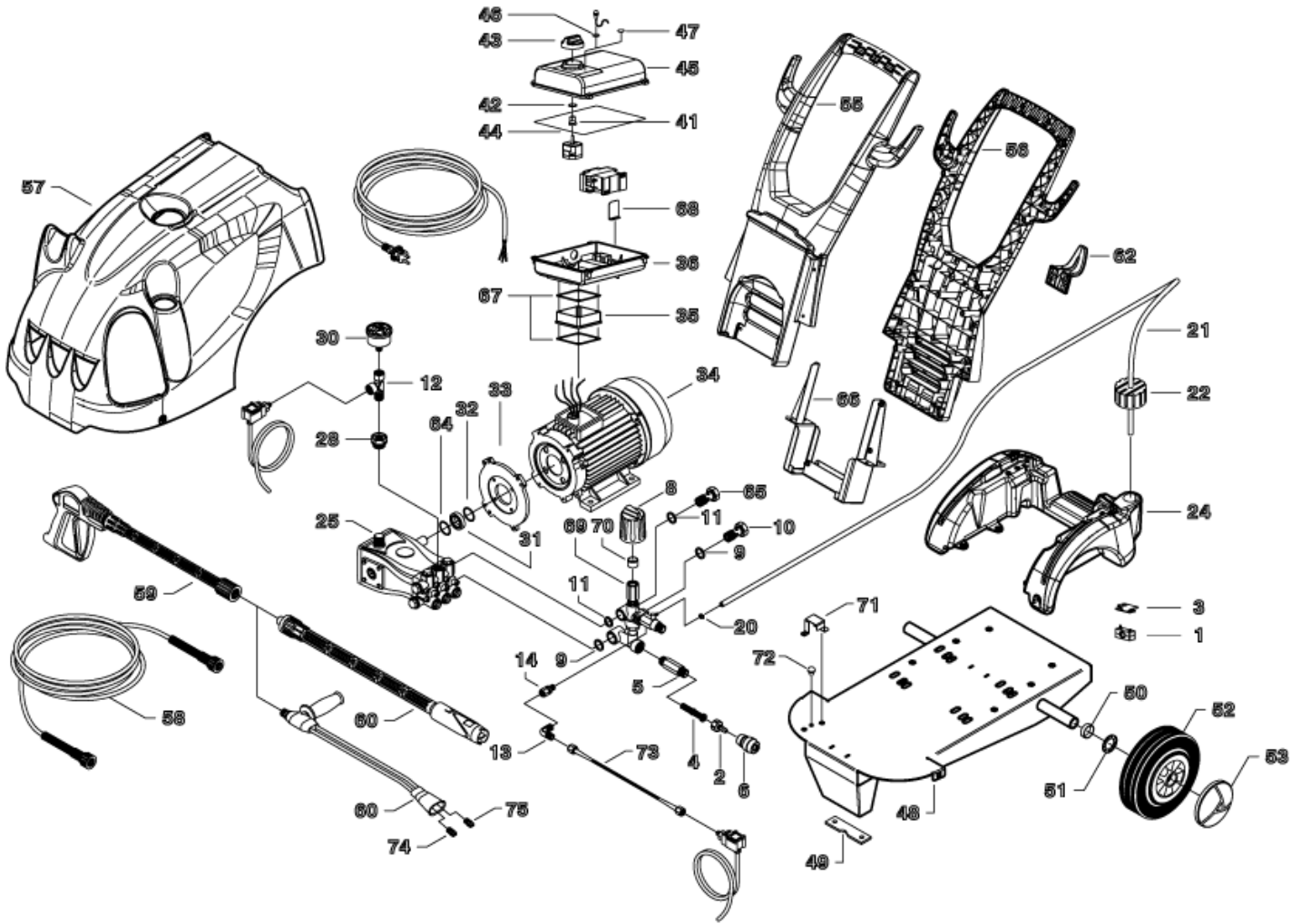
IPF ENGINEERING LTD

Ref: IDAF40482

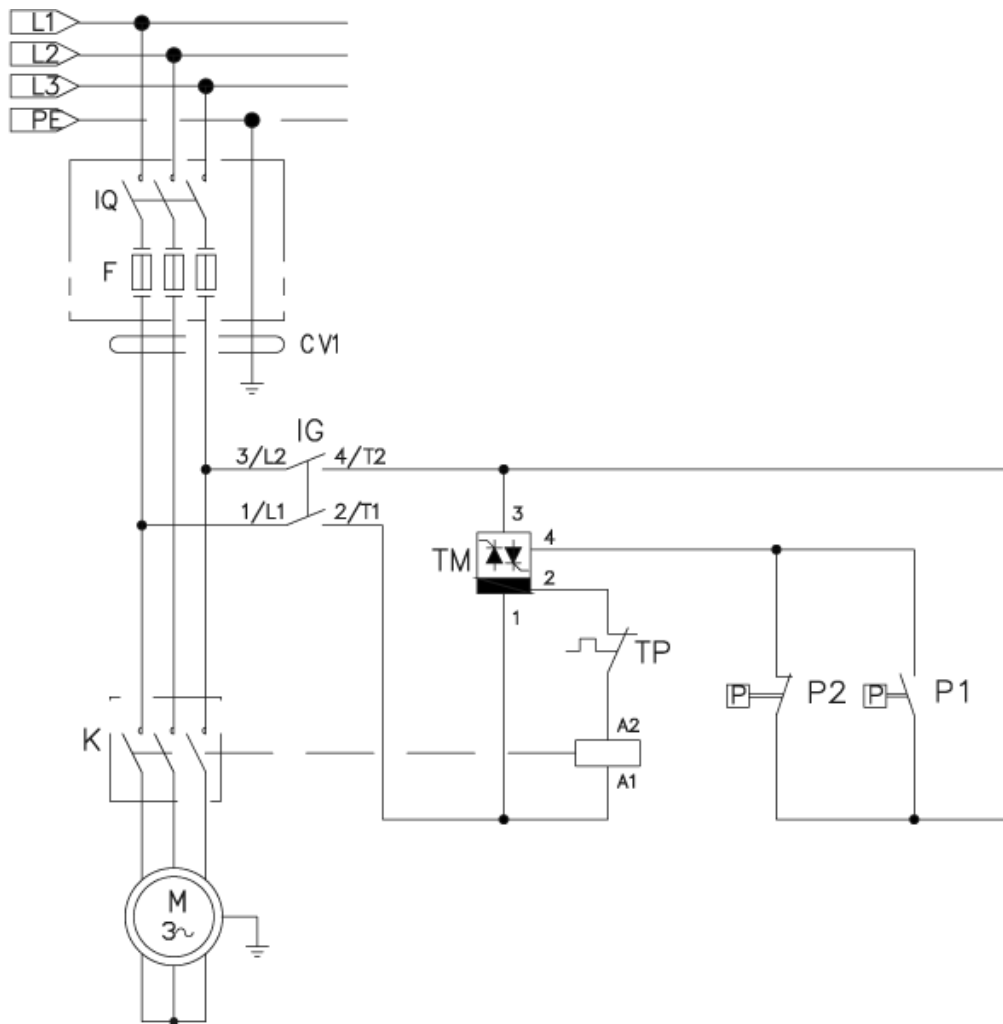
Model: IDROP ROYAL-C D1622P T 400/50 3-01IPF



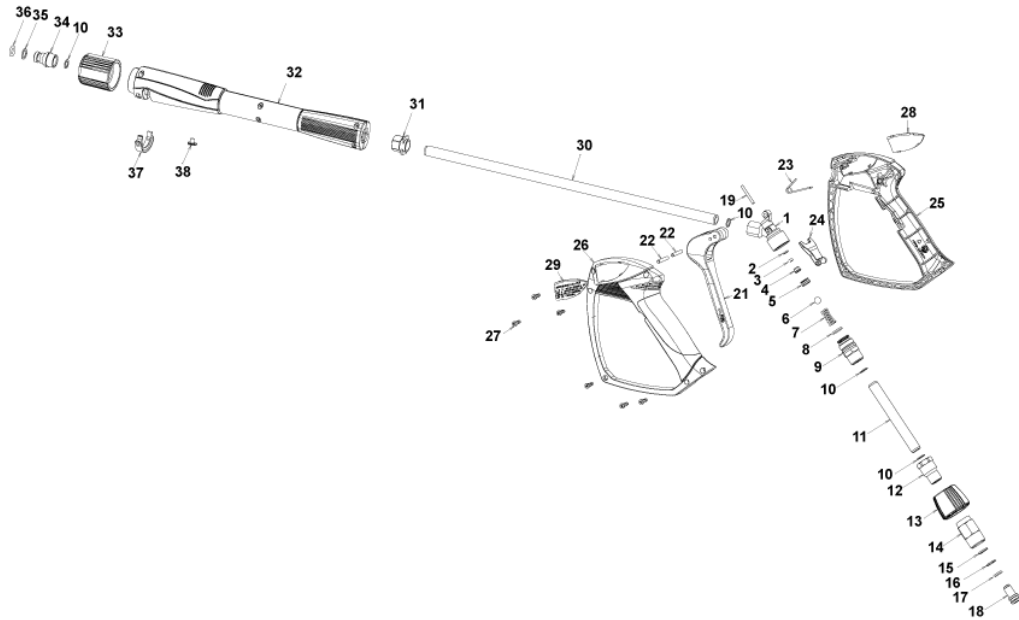
Ref.	K	Part N.	Customer Part N.	Description	Qty	Validity:		Price
						From	To	
0001		MEVR20906		CABLE FASTNER KSM	1,00	10/2012		--
0002		RCVR29600		SOCKET PTC 3/4 F	1,00			--
0003		LAFN40457		SUPPORT PW-C40	1,00	10/2012		--
0004		FTAC30214		FILTER D.15X67	1,00		07/2012	--
0004		FTDT12702		FILTER PA	1,00	08/2012		--
0005		RCDS42051		NIPPLE 3/4 - 1/2 RYL	1,00		07/2012	--
0005		RCDS87610		NIPPLE 3/4 - 1/2 CB D.13.0	1,00	08/2012		--
0006		RCVR29602		CONNECTOR D. 1/2"-5/8" PTC	1,00			--
0008		MPVR09436		BLACK KNOB ST 260	1,00		06/2014	--
0008		MPVR40589		BLACK KNOB ST 260 IPC	1,00	06/2014		--
0009		GUGO01048		O-RING D. 15.88 X 2.62 NBR 70SH	2,00	07/2013		--
0009		VTRS00549		WASHER D.21,5X27X1,5 (1/2) RM	2,00		07/2013	--
0009		VTRS00549		WASHER D.21,5X27X1,5 (1/2) RM	1,00	02/2016		--
0010		RCDS12486		SCREW G 1/2 L=48.5	1,00		07/2013	--
0010		RCDS40171		SCREW G 1/2 VRF-2 OT. 2F.	1,00	07/2013		--
0011		GUGO03510		O-RING D. 12.37 X 2.62 NBR 70SH	2,00	07/2013		--
0011		VTRS00548		WASHER D.17,5X23X1,5 (3/8)RM	2,00		07/2013	--
0011		VTRS00548		WASHER D.17,5X23X1,5 (3/8)RM	1,00	02/2016		--
0012		RCVR72867		CONNECTOR A "T" 1/8" FFM	1,00			--
0013		RCDS40176		ELBOW 1/8" M/F CN. L=24 OT.	1,00	10/2013		--
0013		RCVR35844		ELBOW 1/4-1/8 M/M NIK	1,00		03/2013	--
0013		RCVR34780		ELBOW 1/8" M/F A10	1,00	04/2013	06/2013	--
0014		RCVR02589		SLEEVE 1/8-1/4 F A6	1,00	10/2013		--
0021		TBBP62474		L.P. HOSE D. 7-10 CR.	0,45			--
0022		MPVR60848		TANK CAP 1-1/4F	1,00			--
0024		MPVR40353		TANK PW-C50 PEHD	1,00			--
0025		PPAP40063		PUMP RK 20.19 DX NC 21LT.	1,00			--
0028		PVVR40175		CAP AR RR C/F. 1/8F+OR	1,00			--
0030		MNMN18650		PRESSURE GAUGE 0-300 D.40	1,00			--
0031		RCDS40112		BUSHING AR RK.C50 OT	1,00			--
0032		GUGO40021		O-RING D. 39.34 X 2.62 VIT 70SH	1,00			--
0033		MFVR21735		COUNTERFLANGE MEC 112 2.V	1,00			--
0034		MOTR40030		3PH MOTOR C50 HP7.5 23-400/50C RR/K	1,00			--
0035		MPVR40348		SPACER C50 H.22 PP	1,00			--
0036		MPVR40334		CONTROL BOX PW-C4/50 ABS BK.	1,00	10/2012		--
0041		MPVR23482		TAIL PIECE TEC. TUV	1,00	10/2012		--
0042		GUGO25527		O-RING D. 14 X 3 NBR 70SH	1,00	10/2012		--
0043		MPVR49057		BLACK KNOB P176-M.RACE PA6	1,00			--
0044		GUGO33675		JOINT MOUSSE D. 4	0,90	10/2012		--



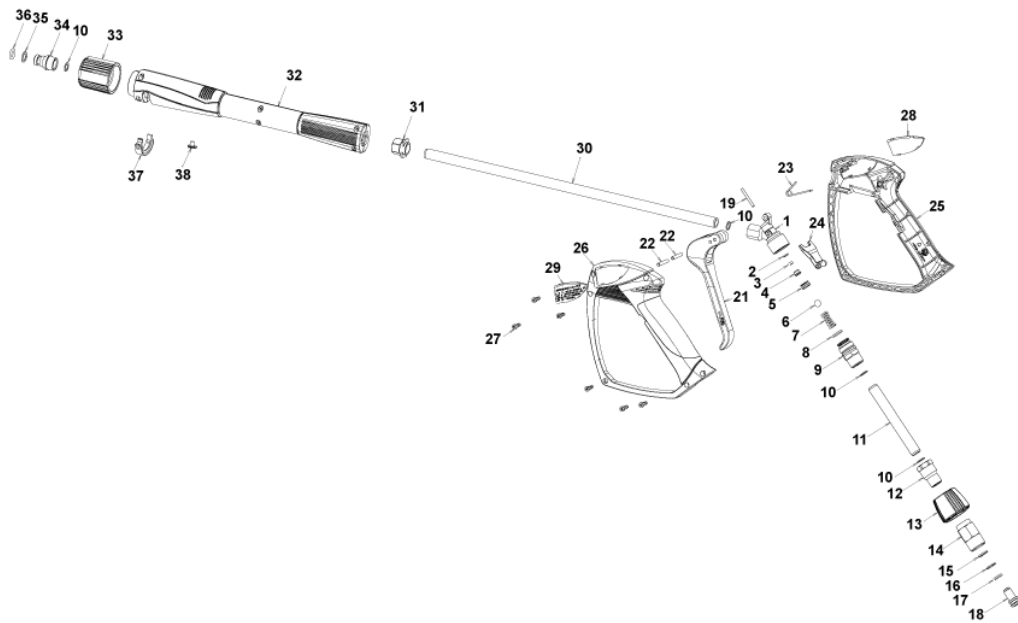
Ref.	K	Part N.	Customer Part N.	Description	Qty	Validity:		Price
						From	To	
0045		MPVR40336		BOX COVER PW-C50 ABS BK.	1,00	10/2012		--
0048		LAFN40472		CHASSIS PW-C50	1,00			--
0049		MPVR10079		FOOT SUPPORT N S.JET	1,00			--
0050		MPVR29447		SPACER D. 26-30 L=10 PVC	4,00			--
0051		VTRS09813		WASHER D.25	2,00			--
0052		RTRT40002		WHEEL D.260 3.00-4 D.25 S.PI.NY	2,00			--
0053		MPVR28995		GREY HUB CAP D. 110	2,00			--
0055		MPVR40347		HANDLE PW-C4/50 ANT.BS PP BK.	1,00			--
0056		MPVR40346		HANDLE PW-C4/50 PST.BS PP BK.	1,00			--
0057		MPVR40341		RED COVER PW-C50 PPL	1,00			--
0058		TBAP25324		H.P. HOSE R1 MT 10 5/16" C/2 IRV ZC	1,00			--
0059		IPPR40010		GRIP G 5100+P.330 +M22 SW.M V	1,00			--
0060		LCPR40056		EXTENSION P 580 - T10P 1.75 Gri	1,00			--
0062		MPVR80139		HOSE REEL H110	1,00			--
0065		RCDS12495		SCREW G 3/8 L=48.5	1,00		07/2013	--
0065		RCDS40172		SCREW 3/8 VRF-2 OT 4F.	1,00	07/2013		--
0066		LAFN40456		BRACKET PW-C40 BK.	1,00			--
0067		GUGO10881		GASKET M.EL. 73X73	1,00			--
0067		GUGO10881		GASKET M.EL. 73X73	1,00	10/2012		--
0068		LAFN40458		SUPPORT PW-C40 INX	1,00	10/2012		--
0069		VVAZ40018		VALVE MV 625 AR-R AF I.2.1 RG.	1,00	03/2012	01/2013	--
0069		VVAZ40029		VALVE VRF-2 AR-R AF I.2.1	1,00	10/2013		--
0069		RCDS40167		CONNECTOR L= 70 2X1/8M CN. IX.	1,00	10/2013		--
0069		VVAZ40018		VALVE MV 625 AR-R AF I.2.1 RG.	1,00		03/2012	--
0069		VVAZ40028		VALVE MV 625 AR-R AF I.2.3 RG.	1,00	03/2012	01/2013	--
0070		PVVR40273		ADAPTER VRF-2 RG.	1,00	02/2013		--
0071		LAFN40478		BRACKET PW-C50	1,00		03/2013	--
0072		MPVR40391		FOOT GM. TY 2 D.13.5/6 L.6 TPE	1,00		03/2013	--
0073		TBAP40087		POLYAMIDE HOSE L=320 1/4 F-F	1,00		03/2013	--



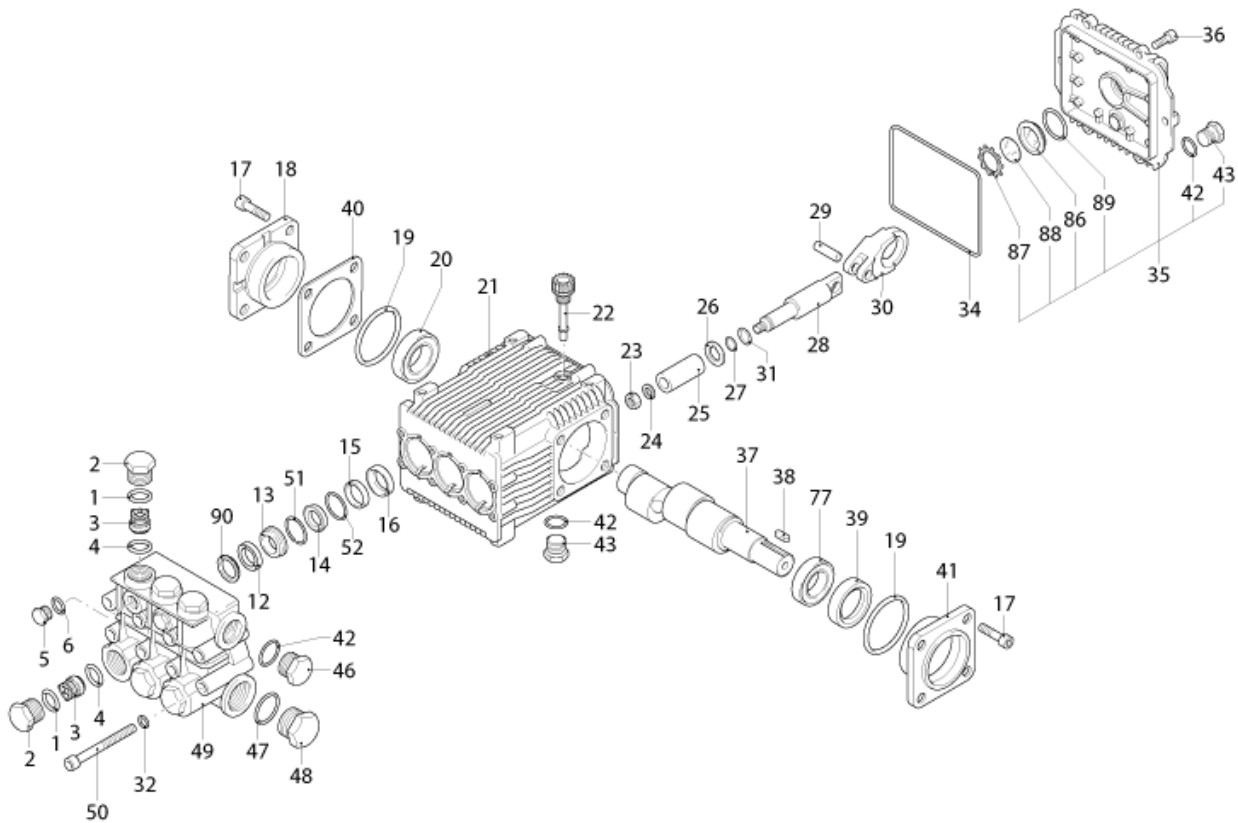
Ref.	K	Part N.	Customer Part N.	Description	Qty	Validity:		Price
						From	To	
K		METT40013		CONTACTOR SIE 3RT 2017-1AV01 400V	1,00	10/2014		--
K		METT40664		CONTACTOR SIE 3RT 1017 1AV01 400V	1,00	10/2012	10/2014	--
IG		MECI40020		SWITCH BRM BP. 0-1 12A	1,00	10/2012		--
P1		MEPF39741		PRESSURE SWITCHMTM 1/8M NA/NC 25B. MICRO	1,00	10/2012		--
P2		MEPF39902		PRESSURE SWITCHMTM 1/4M NA/NC 25B. MICRO	1,00	10/2012		--
TM		METY37439		TIMER THV/1S 380-415V 30S.5/60	1,00	10/2012	08/2015	--
TM		METY40003		TIMER THV/1 400-5/60 30S.2P	1,00	09/2015		--
CV1		MECB89888		CABLE H07 RNF 4X2.5 L=6.500	1,00	10/2012		--
CV1		MEVR09422		PLUG WMX 3P+N+T 16A 380V	1,00	10/2012		--



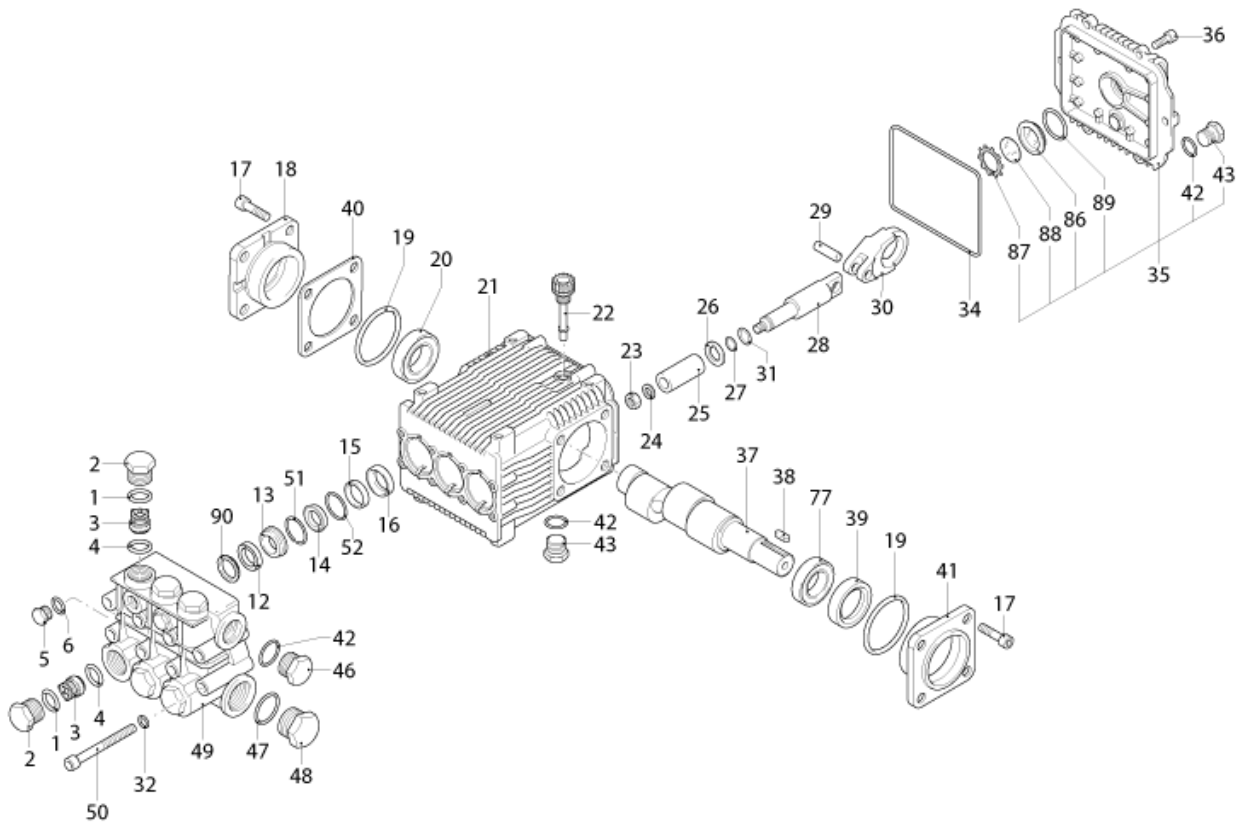
Ref.	K	Part N.	Customer Part N.	Description	Qty	Validity:		Price
						From	To	
0001		PVVR40381		GUN BODY G 5100 G1/4F	1,00			--
0002	S	GUVR40074		ANTI-EXTR.RING D. 3 X 7.4X1.3	1,00			--
0003	S	GUGO21835		O-RING D. 2.84 X 2.62 VIT. 80SH	1,00			--
0004		PVVR40382		PISTON GUIDE G 5100	1,00			--
0005	S	PVVR40112		BALL SEAT G 5000	1,00			--
0006	S	SFVR27026		BALL D.11/32" INX	1,00			--
0007		MLML40016		SPRING D. 9.4 x21.5x1.6 G5000	1,00			--
0008		GUGO12322		O-RING D. 14 X 1.78 NBR 90SH	1,00			--
0009		PVVR40383		CONNECTOR COLL.G5100 1/4F	1,00			--
0010		VTRS40017		WASHER D. 8,2X11,4X1,00 AL	4,00			--
0011		PVVR40384		TUBE G 1/4" L.105	1,00			--
0012		RCIN40022		CONNECTOR SWIV G5100 1/4F	1,00			--
0013		MPVR40486		RING NUT G 5100 SW. GR.	1,00			--
0014		RCIN40021		JOINT SWIV 5100 M22	1,00			--
0015	S	GUVR40075		ANTI-EXTR.RING D. 10 X14X1.5	1,00			--
0016	S	GUVR40076		ANTI-EXTR.RING D. 11.2X14X1.2	1,00			--
0017	S	GUGO15295		O-RING D. 10.82 X 1.78 VIT 80SH	1,00			--
0018		PVVR40386		SCREW SW. G 5100	1,00			--
0019		PVVR40387		SMALL PISTON G 5100	1,00			--
0021		MPVR40487		TRIGGER G 5100-SW	1,00			--
0022		VTVR40047		PLUG D. 4X29	2,00			--
0023		MLML40029		SPRING G 5100	1,00			--
0024		MPVR40488		SAFETY-DEVICE G 5100-SW	1,00			--
0025		MPVR40489		SHELL G 5100-SW DX	1,00			--
0026		MPVR40490		SHELL G 5100-SW SX	1,00			--
0027		VTVT40043		SCREW AF 4X 14 HILO ZN.N	6,00			--
0028		MPVR40491		PLATE G 5100 GR.DX	1,00			--
0029		MPVR40492		PLATE G 5100 GR.SX	1,00			--
0030		LCPR40086		TUBE 1/4 L=420 ZC. 0°	1,00			--
0031		MPVR40493		CONNECTOR G 5100-SW	1,00			--
0032		MPVR40494		PROTECTION P 420 C/AN.	1,00			--
0033		PVVR40119		CONNECTION M22X1,5 IRV G5000	1,00			--
0034		RCIN40009		GUDGEON G 1/4 F IRV G5000	1,00			--
0035		GUVR40034		ANTI-EXTR.RING D. 10 X14	1,00			--
0036		GUGO01946		O-RING D. 9.13 X 2.62 VIT 70SH	1,00			--
0037		MPVR40495		CAP G 5100 REM.	1,00			--
0038		MPVR40198		CAP G 5000	1,00			--



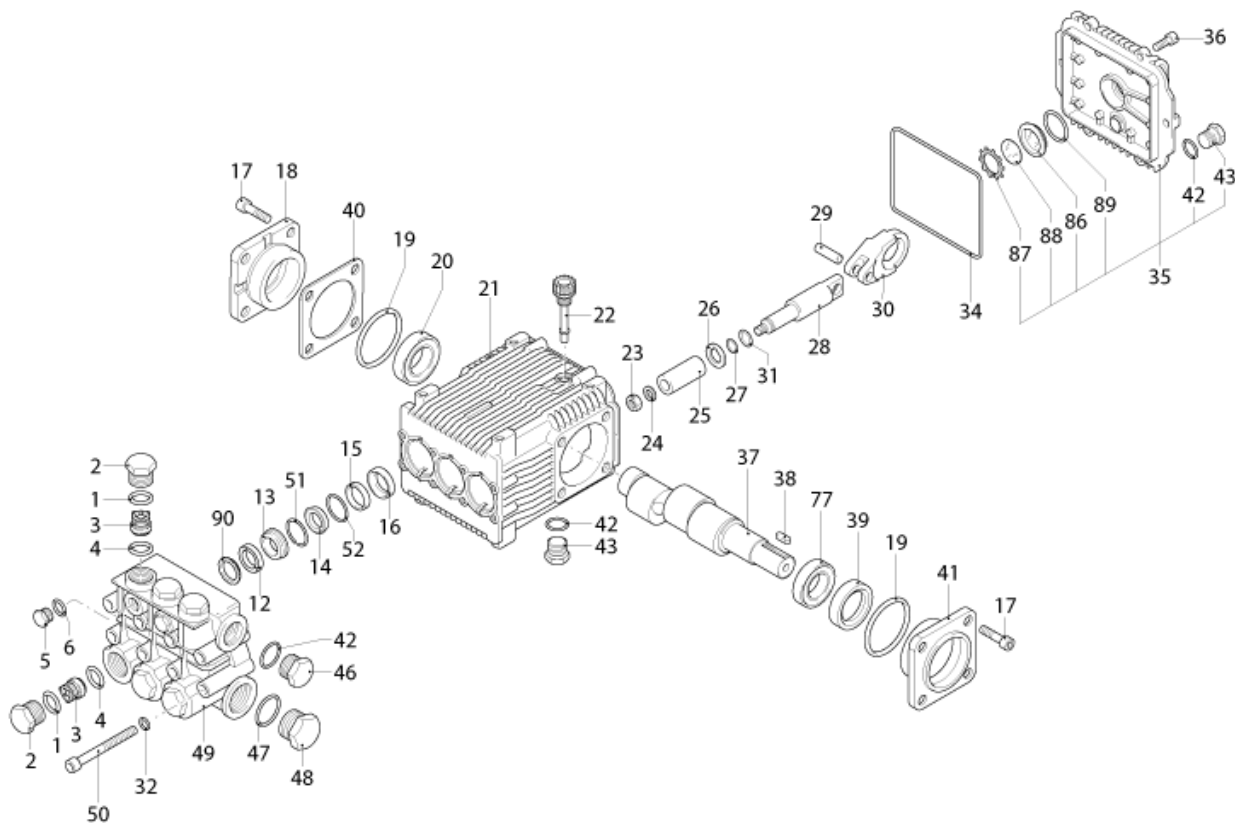
Ref. Part N.	Cust. Part N.	Description	Reference	Price
KTRI40242		KIT P 26- 25 G 5100	0002 0003 0005 0006	--
KTRI40243		KIT P 26- 25 SWIVEL G 5100	0015 0016 0017	--



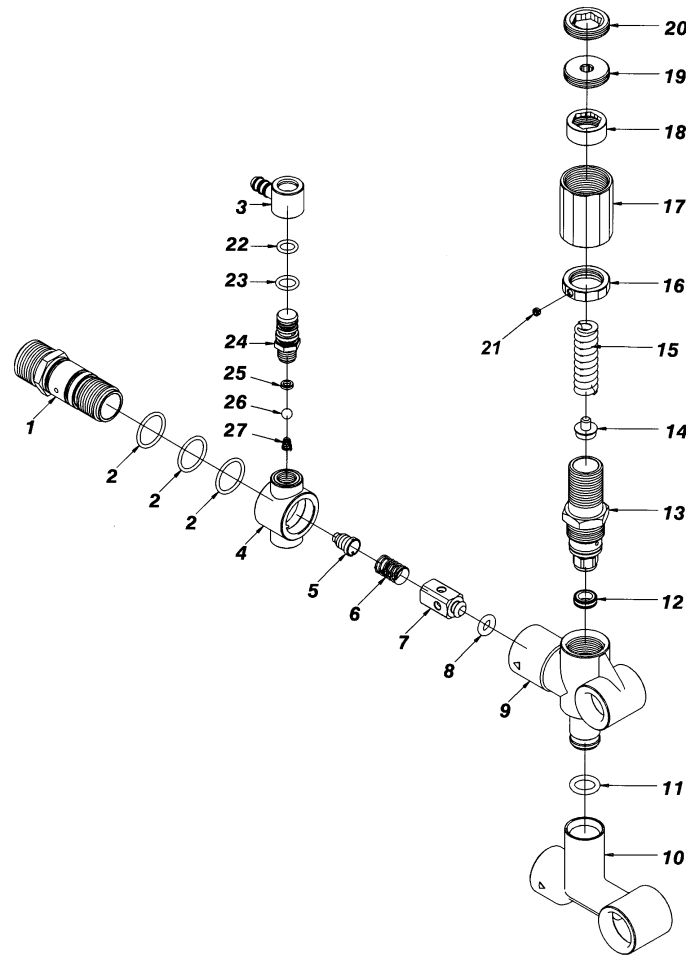
Ref.	K	Part N.	Customer Part N.	Description	Qty	Validity:		Price
						From	To	
0001		GUGO03502		O-RING D. 17.86 X 2.62 NBR 70SH	6,00			--
0002		PVVR40161		CAP AR RR	6,00			--
0003	S	VVAM40003		VALVE UNIT RR	6,00			--
0004	S	GUGO02259		O-RING D. 15.54 X 2.62 NBR 70SH	6,00			--
0005		PVVR40129		CAP 1/4 M RC	2,00			--
0006		GUGO01036		O-RING D. 10.82 X 1.78 NBR 70SH	2,00			--
0012	S	GUVR40051		PACKING D. 22 RK W1	3,00			--
0013		PVVR40212		INTERMED. RING D.22 RK	3,00			--
0014	S	GUVR40050		PACKING D. 22 RK W2	3,00			--
0015		PVVR40210		SPACER D. 35 RK	3,00			--
0016	S	GUGO40022		OIL SEAL RK	3,00			--
0017		VTVT01118		SCREW TCEI M 8X16 ZC. UNI 5931	8,00			--
0018		MFVR40038		CRANKCASE COVER AR RK LT.	1,00			--
0019	S	GUGO01053		O-RING D. 60 X 2.62 NBR 70SH	2,00			--
0020		CUVR40011		BEARING 30304 DQ	1,00			--
0021		MFVR40039		PUMP CRANKCASE AR RK	1,00			--
0022		PVVR19231		OIL CAP XTS	1,00			--
0023		VTDD00483		NUT M 8 ZIN UNI 5588	3,00			--
0024		VTRS19394		WASHER D. 8X13X0.5	3,00			--
0025	S	PIVR40009		PISTON D.22X40 RK	3,00			--
0026		PVVR40218		DISC RK	3,00			--
0027		GUGO08071		O-RING D. 4.48 X 1.78 NBR 70SH	3,00			--
0028		PVVR40217		PISTON GUIDE RK	3,00			--
0029		PVVR40211		GUDGEON D. 10X25 RK	3,00			--
0030		BLVR40005		CONNECTING ROD RK	3,00			--
0031		GUVR40044		ANTI-EXTR.RING D. 5 X 8 X1	3,00			--
0032		VTRS00504		WASHER D. 8 TE ZC. UNI 6592	8,00			--
0034	S	GUGO40023		O-RING D. 106 X 3 NBR 70SH	1,00			--
0035		MFVR40041		CRANKCASE COVER AR RK	1,00			--
0036		VTVT01114		SCREW TCEI 6X14 UNI 5931	6,00			--
0037		ALMO40017		SHAFT AR RK20.19 NC	1,00			--
0038		VTVR41531		KEY 8X 7X35 UNI 6604A	1,00			--
0039	S	GUGO01245		CARRYNG BAG	1,00			--
0040		PVVR40214		THICKNESS AR 0,20 mm	1,00			--
0041		MFVR40040		CRANKCASE COVER AR RK LAT. OPEN	1,00			--
0042		GUGO09720		O-RING D. 14 X 1.78 NBR 70SH	3,00			--
0043		PVVR40099		CAP 3/8 M HRM	1,00			--
0046		PVVR40099		CAP 3/8 M HRM	1,00			--
0047		GUGO19245		O-RING D. 17.5 X 2 NBR 70SH	1,00			--



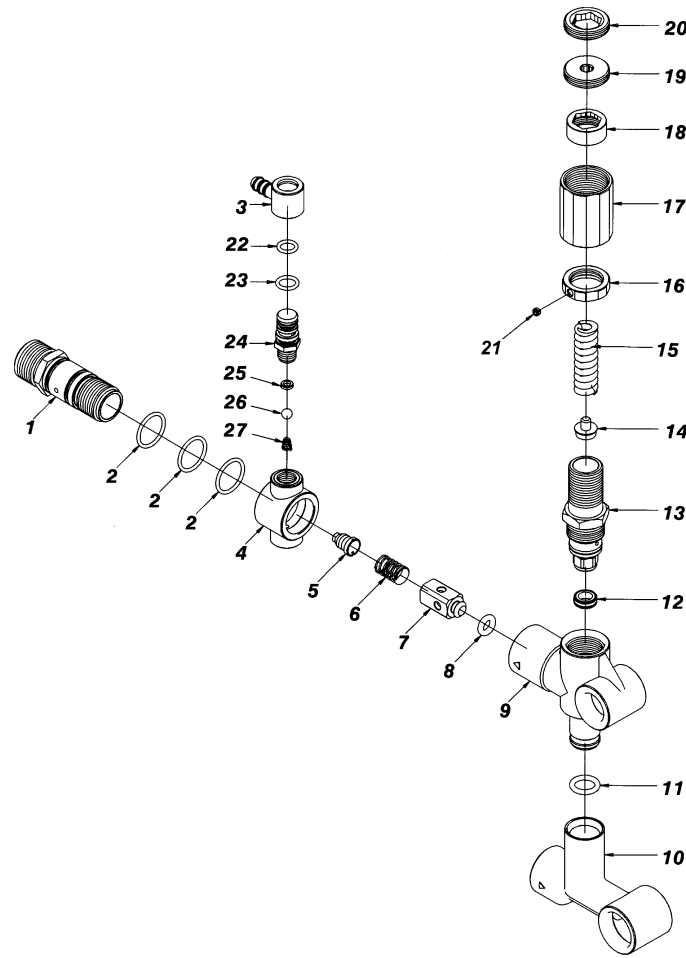
Ref.	K	Part N.	Customer Part N.	Description	Qty	Validity:		Price
						From	To	
0048		PVVR40121		CAP 1/2 M RC	1,00			--
0049		MFVR40042		HEAD AR RK OT.	1,00			--
0050		VTVT37530		SCREW TCEI M 8X70 UNI 5931	8,00			--
0051	S	GUGO10379		O-RING D. 22 X 2 NBR 70SH	3,00			--
0052	S	GUGO40024		O-RING D. 28.25 X 1.78 NBR 70SH	3,00			--
0077		CUVR66788		BEARING D.25X52X16,25 30205 SKF	1,00			--
0086		PVVR19238		OIL INDICATOR XTS	1,00			--
0087		VTAE19239		SEEGER 0,5 X25,35X16,0	1,00			--
0088		PVVR40199		DISC CONTRASTO POMPA RW	1,00			--
0089		GUGO19395		O-RING D. 20.24 X 2.62 NBR 70SH	1,00			--



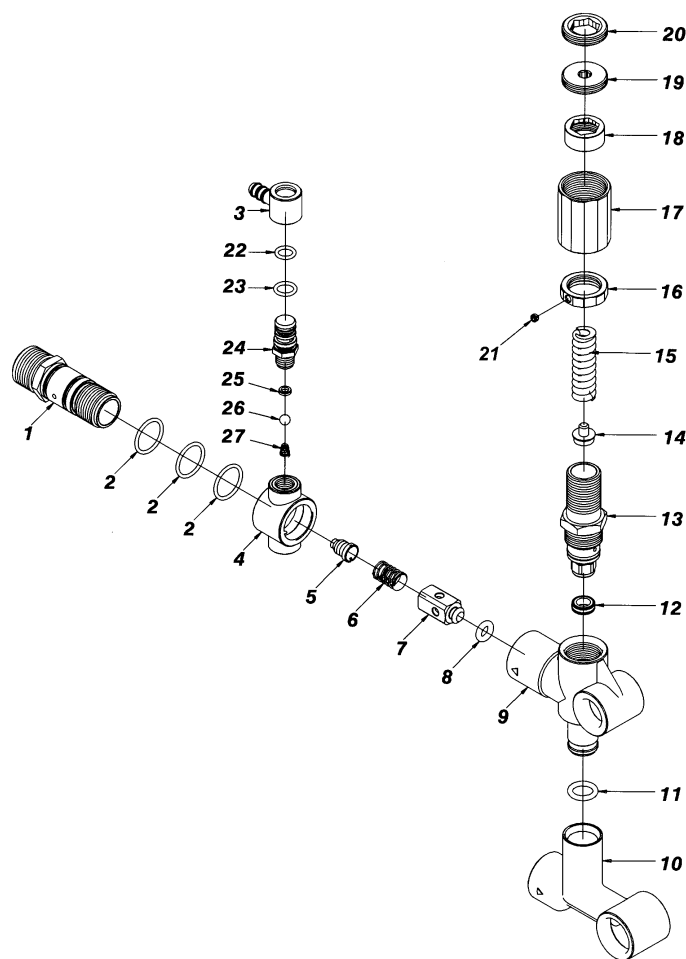
Ref.	Part N.	Cust. Part N.	Description	Reference	Price
K A	KTRI40142		KIT P 15-42909 RR	0003 0004	--
K B	KTRI40166		KIT P 15-2526 D.22 RK	0025	--
K C	KTRI40167		KIT P 15-1855 RK	0016 0019 0034 0039	--
K E	KTRI40168		KIT P 15-42925 D.22 RK	0012 0014 0051 0052	--



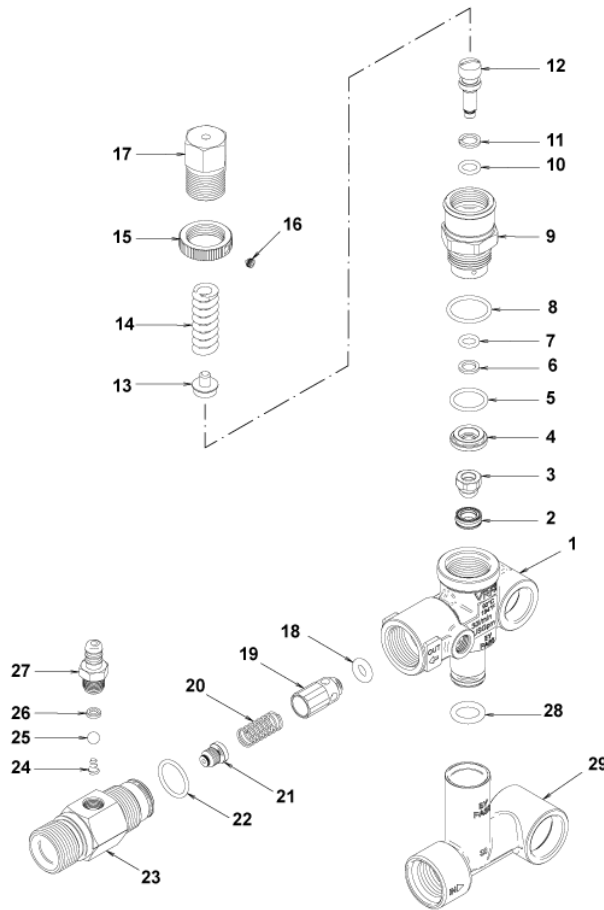
Ref. K	Part N.	Customer Part N.	Description	Qty	Validity:		Price
					From	To	
0001	PVVR47993		METERING. BODY MV 625 M22	1,00			--
0002	GUGO01058		O-RING D. 17.17 X 1.78 NBR 70SH	3,00			--
0003	PVVR47999		HOSE FITTING MV 625	1,00			--
0004	PVVR47995		METERING. BODY MV 625 GIR.	1,00			--
0005	UGEI46790		NOZZLE D. 2.1 MV625	1,00			--
0006	MLML47978		SPRING MV 625	1,00			--
0007	PVVR47979		PIN MV 625	1,00			--
0008	GUGO46053		O-RING D. 6 X 3 NBR 90SH	1,00			--
0009	PVVR47980		VALVE BODY MV 625	1,00			--
0010	PVVR40271		CONNECTOR MV 625-RR	1,00			--
0011	GUGO11225		O-RING D. 10.78 X 2.62 NBR 70SH	1,00			--
0012	PVVR47985		VALVE SEAT MV 625 + O-RING	1,00			--
0013	PVVR47988		CONNECTOR MV 625 REG.	1,00			--
0014	PVVR47986		SPRING PLATE MV 625	1,00			--
0015	MLML47987		SPRING D. 3.25X41.1 MV 625	1,00			--
0016	PVVR47984		RING NUT MV 625	1,00			--
0017	PVVR47989		CAP MV 625 REG.	1,00			--
0018	PVVR47990		RING NUT MV 625 REG.	1,00			--
0019	PVVR47991		REGISTER MV 625 REG.	1,00			--
0020	PVVR47992		CLAMP MV 625 REG.	1,00			--
0021	VTVT24918		SCREW EI-ST 4X 4 UNI5927	1,00			--
0022	GUGO06988		O-RING D. 7.66 X 1.78 NBR 70SH	1,00			--
0023	GUGO12490		O-RING D. 8.74 X 1.78 NBR 70SH	1,00			--
0024	PVVR47998		CONNECTOR MV 625	1,00			--
0025	PVVR47994		BALL SEAT MV 625	1,00			--
0026	SFVR04274		BALL D. 7/32	1,00			--
0027	MLML47996		SPRING D. 5.5	1,00			--



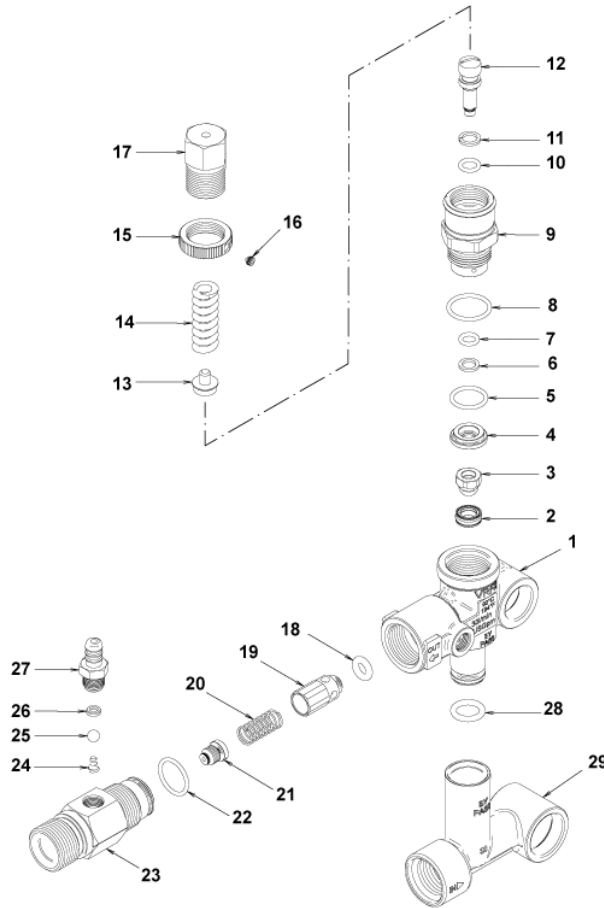
Ref.	K	Part N.	Customer Part N.	Description	Qty	Validity:		Price
						From	To	
0001		PVVR47993		METERING. BODY MV 625 M22	1,00			--
0002		GUGO01058		O-RING D. 17.17 X 1.78 NBR 70SH	3,00			--
0003		PVVR47999		HOSE FITTING MV 625	1,00			--
0004		PVVR47995		METERING. BODY MV 625 GIR.	1,00			--
0005		UGEI46790		NOZZLE D. 2.1 MV625	1,00			--
0006		MLML47978		SPRING MV 625	1,00			--
0007		PVVR47979		PIN MV 625	1,00			--
0008		GUGO46053		O-RING D. 6 X 3 NBR 90SH	1,00			--
0009		PVVR47980		VALVE BODY MV 625	1,00			--
0010		PVVR40271		CONNECTOR MV 625-RR	1,00			--
0011		GUGO11225		O-RING D. 10.78 X 2.62 NBR 70SH	1,00			--
0012		PVVR47985		VALVE SEAT MV 625 + O-RING	1,00			--
0013		PVVR47988		CONNECTOR MV 625 REG.	1,00			--
0014		PVVR47986		SPRING PLATE MV 625	1,00			--
0015		MLML47987		SPRING D. 3.25X41.1 MV 625	1,00			--
0016		PVVR47984		RING NUT MV 625	1,00			--
0017		PVVR47989		CAP MV 625 REG.	1,00			--
0018		PVVR47990		RING NUT MV 625 REG.	1,00			--
0019		PVVR47991		REGISTER MV 625 REG.	1,00			--
0020		PVVR47992		CLAMP MV 625 REG.	1,00			--
0021		VTVT24918		SCREW EI-ST 4X 4 UNI5927	1,00			--
0022		GUGO06988		O-RING D. 7.66 X 1.78 NBR 70SH	1,00			--
0023		GUGO12490		O-RING D. 8.74 X 1.78 NBR 70SH	1,00			--
0024		PVVR47998		CONNECTOR MV 625	1,00			--
0025		PVVR47994		BALL SEAT MV 625	1,00			--
0026		SFVR04274		BALL D. 7/32	1,00			--
0027		MLML47996		SPRING D. 5.5	1,00			--



Ref.	K	Part N.	Customer Part N.	Description	Qty	Validity:		Price
						From	To	
0001		PVVR47993		METERING. BODY MV 625 M22	1,00			--
0002		GUGO01058		O-RING D. 17.17 X 1.78 NBR 70SH	3,00			--
0003		PVVR47999		HOSE FITTING MV 625	1,00			--
0004		PVVR47995		METERING. BODY MV 625 GIR.	1,00			--
0005		UGEI46791		NOZZLE D. 2.3 MV625	1,00			--
0006		MLML47978		SPRING MV 625	1,00			--
0007		PVVR47979		PIN MV 625	1,00			--
0008		GUGO46053		O-RING D. 6 X 3 NBR 90SH	1,00			--
0009		PVVR47980		VALVE BODY MV 625	1,00			--
0010		PVVR40271		CONNECTOR MV 625-RR	1,00			--
0011		GUGO11225		O-RING D. 10.78 X 2.62 NBR 70SH	1,00			--
0012		PVVR47985		VALVE SEAT MV 625 + O-RING	1,00			--
0013		PVVR47988		CONNECTOR MV 625 REG.	1,00			--
0014		PVVR47986		SPRING PLATE MV 625	1,00			--
0015		MLML47987		SPRING D. 3.25X41.1 MV 625	1,00			--
0016		PVVR47984		RING NUT MV 625	1,00			--
0017		PVVR47989		CAP MV 625 REG.	1,00			--
0018		PVVR47990		RING NUT MV 625 REG.	1,00			--
0019		PVVR47991		REGISTER MV 625 REG.	1,00			--
0020		PVVR47992		CLAMP MV 625 REG.	1,00			--
0021		VTVT24918		SCREW EI-ST 4X 4 UNI5927	1,00			--
0022		GUGO06988		O-RING D. 7.66 X 1.78 NBR 70SH	1,00			--
0023		GUGO12490		O-RING D. 8.74 X 1.78 NBR 70SH	1,00			--
0024		PVVR47998		CONNECTOR MV 625	1,00			--
0025		PVVR47994		BALL SEAT MV 625	1,00			--
0026		SFVR04274		BALL D. 7/32	1,00			--
0027		MLML47996		SPRING D. 5.5	1,00			--



Ref.	K	Part N.	Customer Part N.	Description	Qty	Validity:		Price
						From	To	
0001		PVVR40375		VALVE BODY VRF2 +G1/8 F	1,00			--
0002	S	PVVR40363		VALVE SEAT MV124 +OR	1,00			--
0003	S	PVVR40364		COUPLING MV124	1,00			--
0004	S	PVVR40365		SPACER MV124	1,00			--
0005	S	GUGO12322		O-RING D. 14 X 1.78 NBR 90SH	1,00			--
0006	S	GUVR40072		ANTI-EXTR.RING D. 6.5X 9.4	1,00			--
0007	S	GUGO83861		O-RING D. 6.07 X 1.78 NBR 90SH	1,00			--
0008	S	GUGO24913		O-RING D. 17.17 X 1.78 NBR 90SH	1,00			--
0009	S	PVVR40366		CONNECTOR VRF2 D.10	1,00			--
0010	S	GUGO03500		O-RING D. 6.75 X 1.78 NBR 70SH	1,00			--
0011	S	GUVR40073		ANTI-EXTR.RING D. 7.1X10 X1.2 TBT	1,00			--
0012	S	PVVR40367		SMALL PISTON D.10 VRF2	1,00			--
0013		PVVR40368		SPRING PLATE MV124 25B	1,00			--
0014	S	MLML40027		SPRING D. 3.0/6.0 X38.85	1,00			--
0015		PVVR40369		RING NUT MV167.09	1,00			--
0016		VTVT89696		SCREW EI-ST 4X 4 UNI5927 ZC	1,00			--
0017		PVVR40370		CAP VRF2 M18X1	1,00			--
0018	S	GUGO46053		O-RING D. 6 X 3 NBR 90SH	1,00			--
0019	S	PVVR40349		COUPLING VRT3	1,00			--
0020	S	MLML40026		SPRING VRT3	1,00			--
0021	S	UGEI40010		NOZZLE D. 2.1 VRF-2	1,00			--
0022	S	GUGO12321		O-RING D. 15.6 X 1.78 NBR 90SH	1,00			--
0023	S	PVVR40376		METERING. BODY VRF-2 M22 M	1,00			--
0024	S	MLML47996		SPRING D. 5.5	1,00			--
0025	S	SFVR40001		BALL D. 7/32" AISI 316/L	1,00			--
0026	S	PVVR47994		BALL SEAT MV 625	1,00			--
0027	S	PVVR40014		HOSE FITTING P237-MV	1,00			--
0028		GUGO11225		O-RING D. 10.78 X 2.62 NBR 70SH	1,00			--
0029		PVVR40373		CONNECTOR VRF2.24	1,00			--



Ref. Part N.	Cust. Part N.	Description	Reference	Price
KTRI40236	KIT P	14-103 VRF2	0002 0003 0004 0005 0006 0007 0008 0009 0010 0011 0012 0018 0019 0020 0021 0022	--
KTRI40237	KIT P	14-104 SEAL VRF2	0002 0003 0005 0006 0007 0008 0010 0011 0018 0021 0022	--
KTRI40259	KIT P	14-106 VRF2 I.2.1	0018 0019 0020 0021 0022 0023 0024 0025 0026 0027	--