



**IPC Integrated Professional Cleaning**

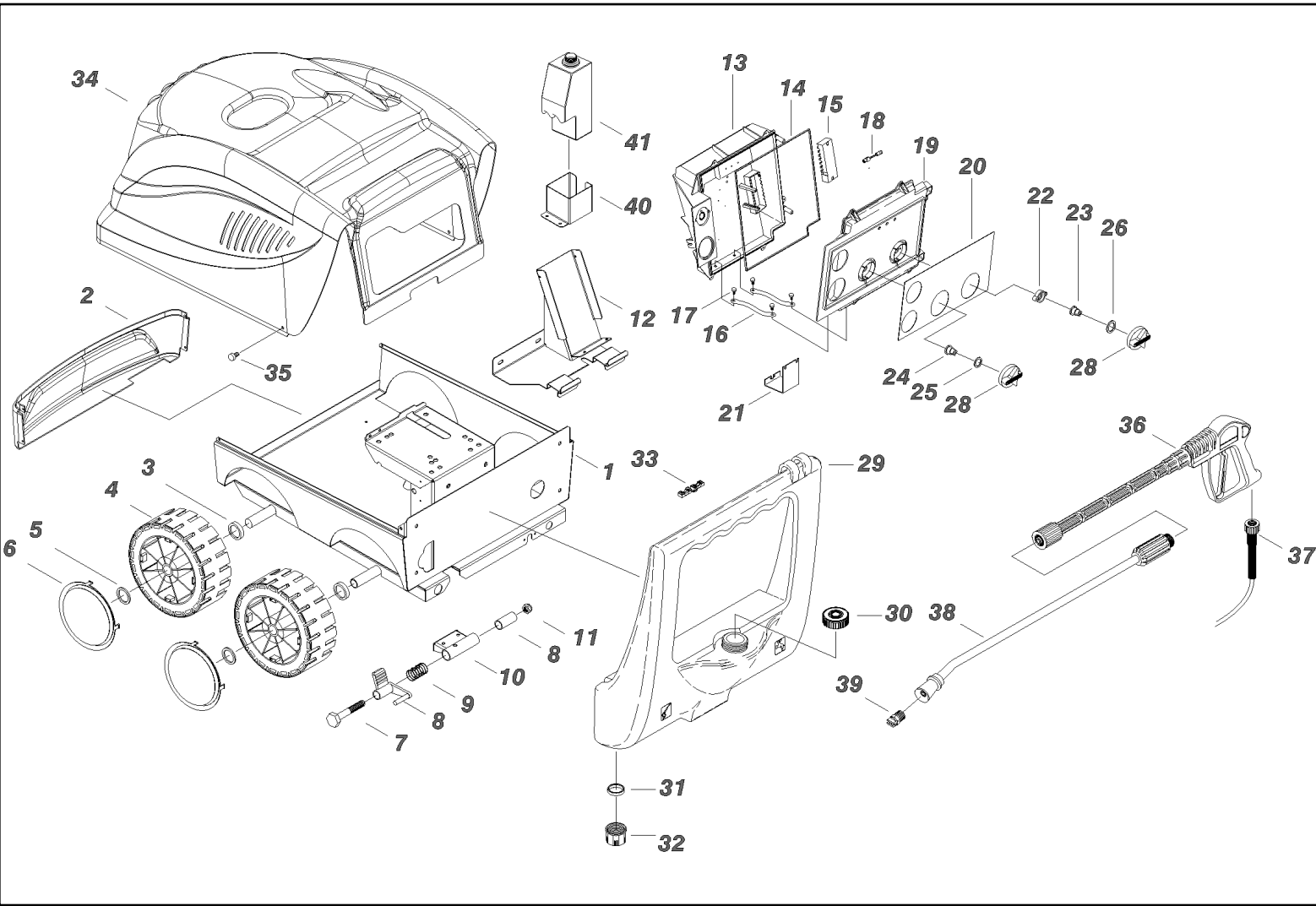
**IPC** Portotecnica

## Spare Parts List

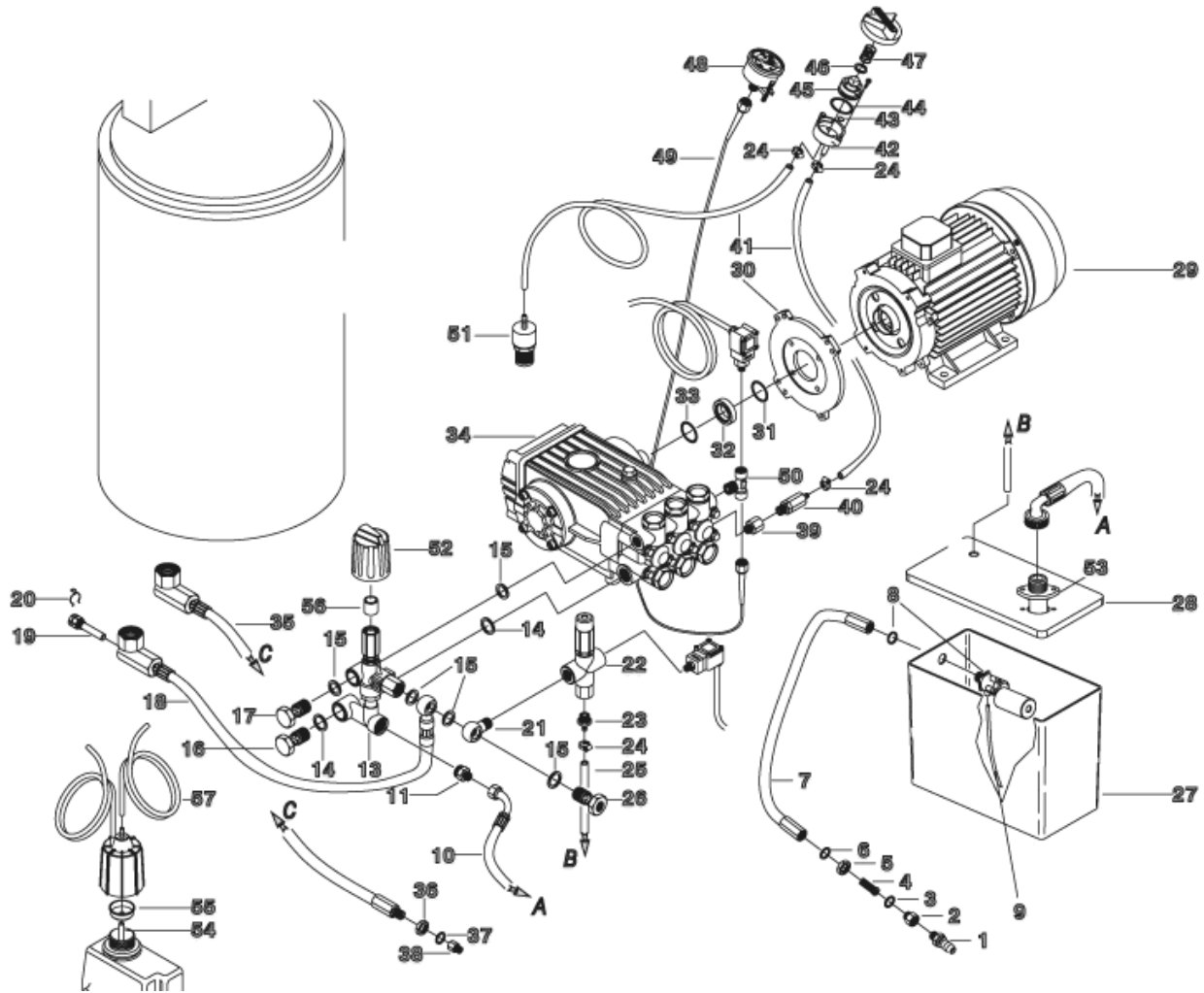
IPF ENGINEERING LTD

Ref: IDAC40208

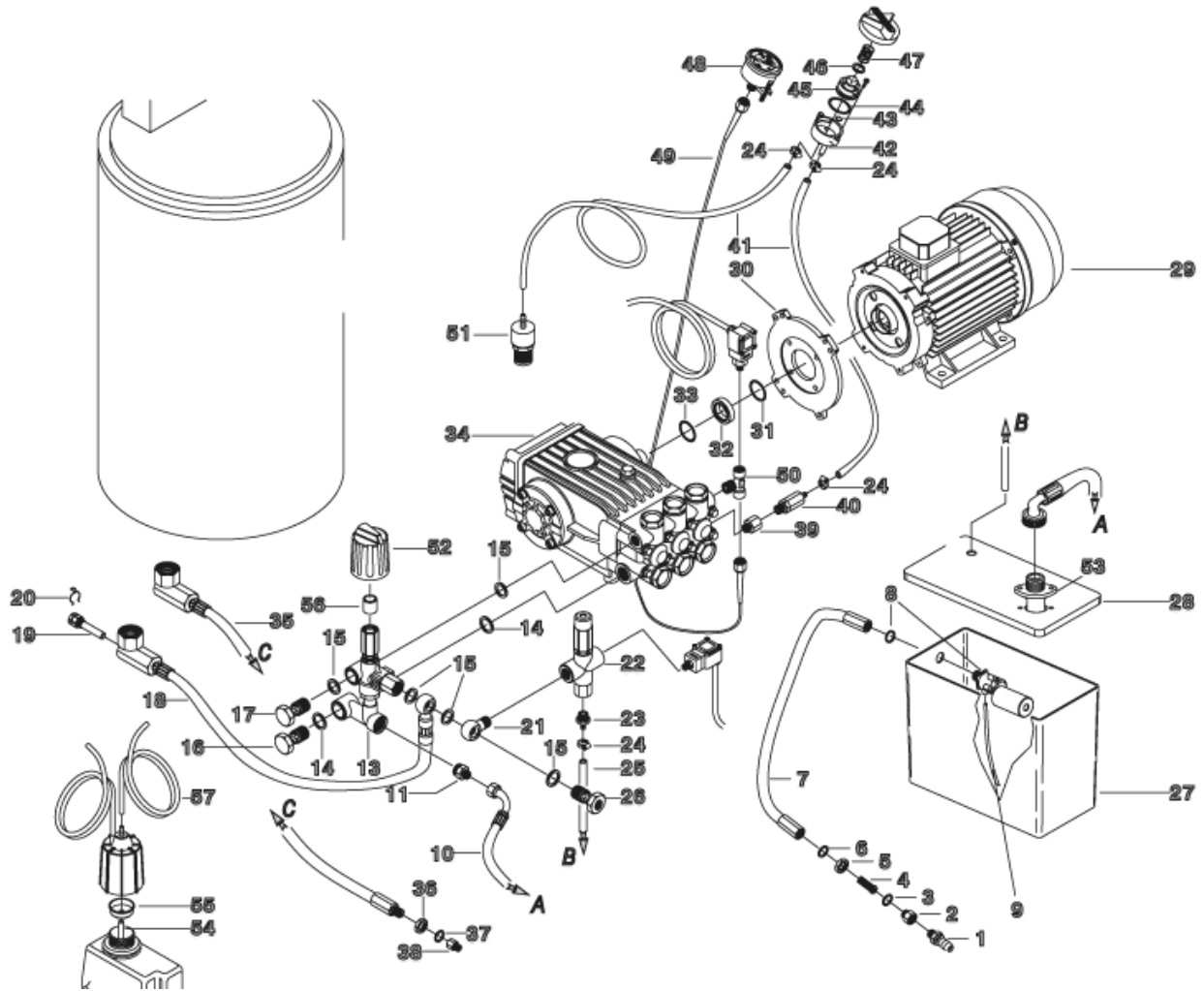
Model: IDROP S.INDY/3 DS 1921 T 400/50 3-01IPF



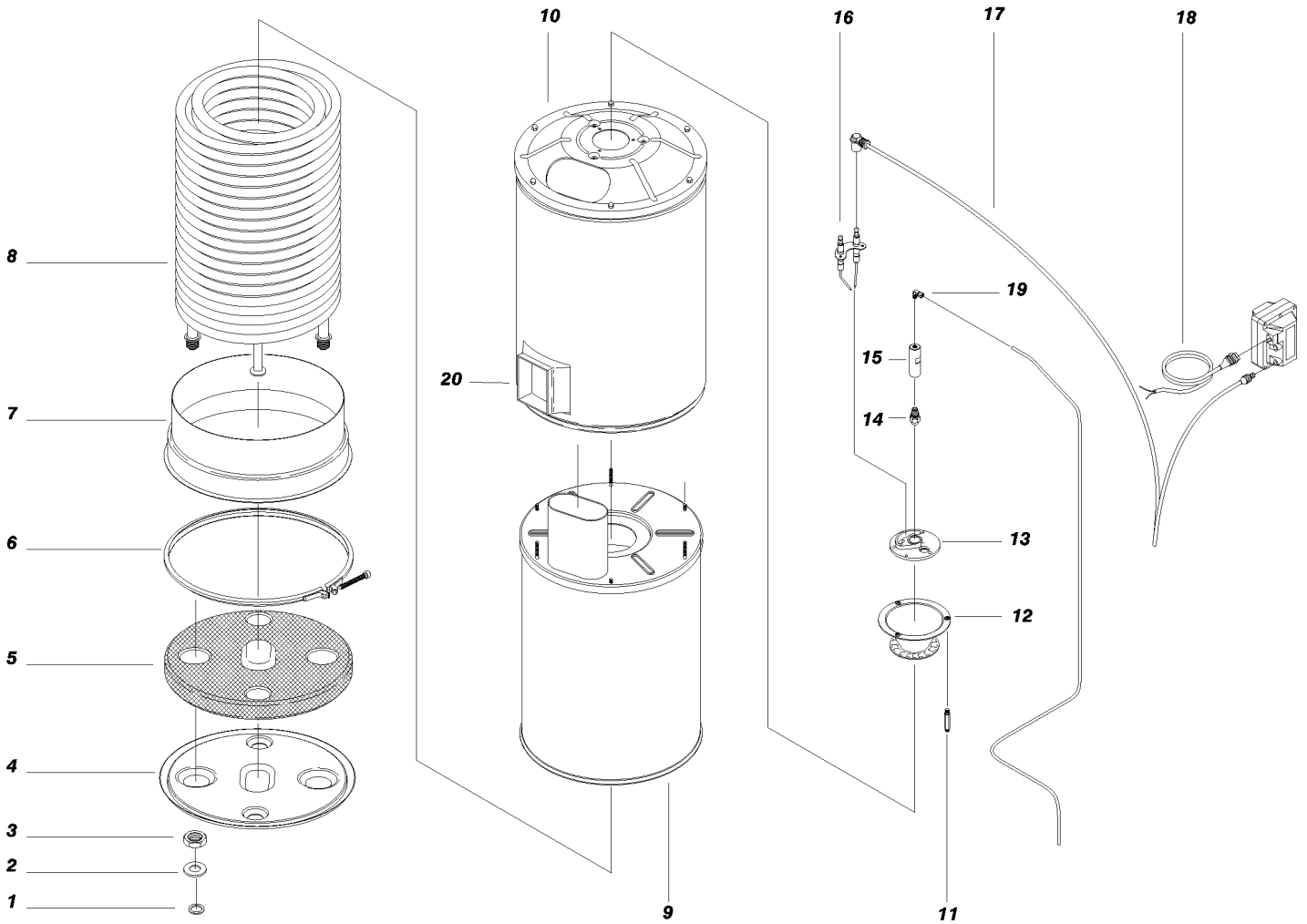
Ref.	K	Part N.	Customer Part N.	Description	Qty	Validity:		Price
						From	To	
0001		LAFN40258		CHASSIS S.INDY/3 4W	1,00			--
0002		MPVR40205		PANEL S.INDY/3 PS BK	1,00			--
0003		VTRS73055		WASHER D.44x26x4	4,00			--
0004		RTRT40005		WHEEL D.260-D.25 RT-HI	4,00			--
0005		VTRS09813		WASHER D.25	4,00			--
0006		MPVR40120		RED WHEEL COVERD. 260 RT-HI	4,00			--
0007		VTVT14480		SCREW TE M 8X80 ZINC. UNI	1,00			--
0008		MPVR28178		TRIGGER MTH PL.	1,00			--
0009		MLML11917		SPRING D. 14.5 X24 X2.2	1,00			--
0010		LAFN40263		BRACKET S.INDY/3-4W BK.	1,00			--
0011		VTDD00492		NUT M 8 ZINC	1,00			--
0012		LAFN40278		SUPPORT S.INDY/3 H.112	1,00			--
0013		MPVR89016		CONTROL BOX S.INDY/2 PP	1,00			--
0014		GUGO11309		JOINT MOUSSE D. 3	1,20			--
0015		MPVR33250		CABLE CLAMP COVMISTRAL	1,00			--
0016		MPVR89015		PLATE S.INDY/2	2,00			--
0017		MPVR89160		PROD D. 7-15 L=15 BK.	4,00			--
0018		MEVR27264		FUSE-HOLDER 031-1081	2,00			--
0019		MPVR89017		BOX COVER S.INDY/2 PP	1,00			--
0020		ETET40688		LABEL MST PR.II BP PVC R	1,00			--
0021		LAFN34423		SUPPORT BRACKETMST.S-P	1,00			--
0022		MPVR41903		THICKNESS TERM.IM.PA66	1,00			--
0023		MPVR23484		TAIL PIECE THERM.KSM TUV	1,00			--
0024		MPVR23482		TAIL PIECE TEC. TUV	1,00			--
0025		GUGO23079		V-SEAL RING VA0014 13.5- 15.5	1,00			--
0026		GUGO25527		O-RING D. 14 X 3 NBR 70SH	1,00			--
0028		MPVR46511		GREY KNOB KSM C/F.FIS.	3,00			--
0029		MPVR40208		FUEL TANK S.INDY/2 +RT PEHD	1,00			--
0030		MPVR40573		TANK CAP MHDS-SK	1,00			--
0031		GUGO11489		GASKET D.22X1,5	1,00			--
0032		PVVR11806		DISCHARGE CAP FLL	1,00			--
0033		MEVR33994		CABLE FASTNER 4228 B D. 6- 18	1,00			--
0034		MPVR40212		RED COVER S.INDY/3-40M ABS	1,00			--
0035		VTVT13940		SCREW M 6X 20 TSPEI UNI 5933	2,00			--
0036		IPPR40010		GRIP G 5100+P.330 +M22 SW.M V	1,00	04/2014		--
0036		IPPR89429		GRIP G 4500 - P.330 -M22SW.M V	1,00		04/2014	--
0037		TBAP40009		H.P. HOSE R2 MT 10 5/16" C/2 IRV IX	1,00			--
0038		LCPR12976		EXTENSION P 70	1,00			--
0039		UGLN49995		NOZZLE LECH 1/4 25065	1,00	05/2006		--



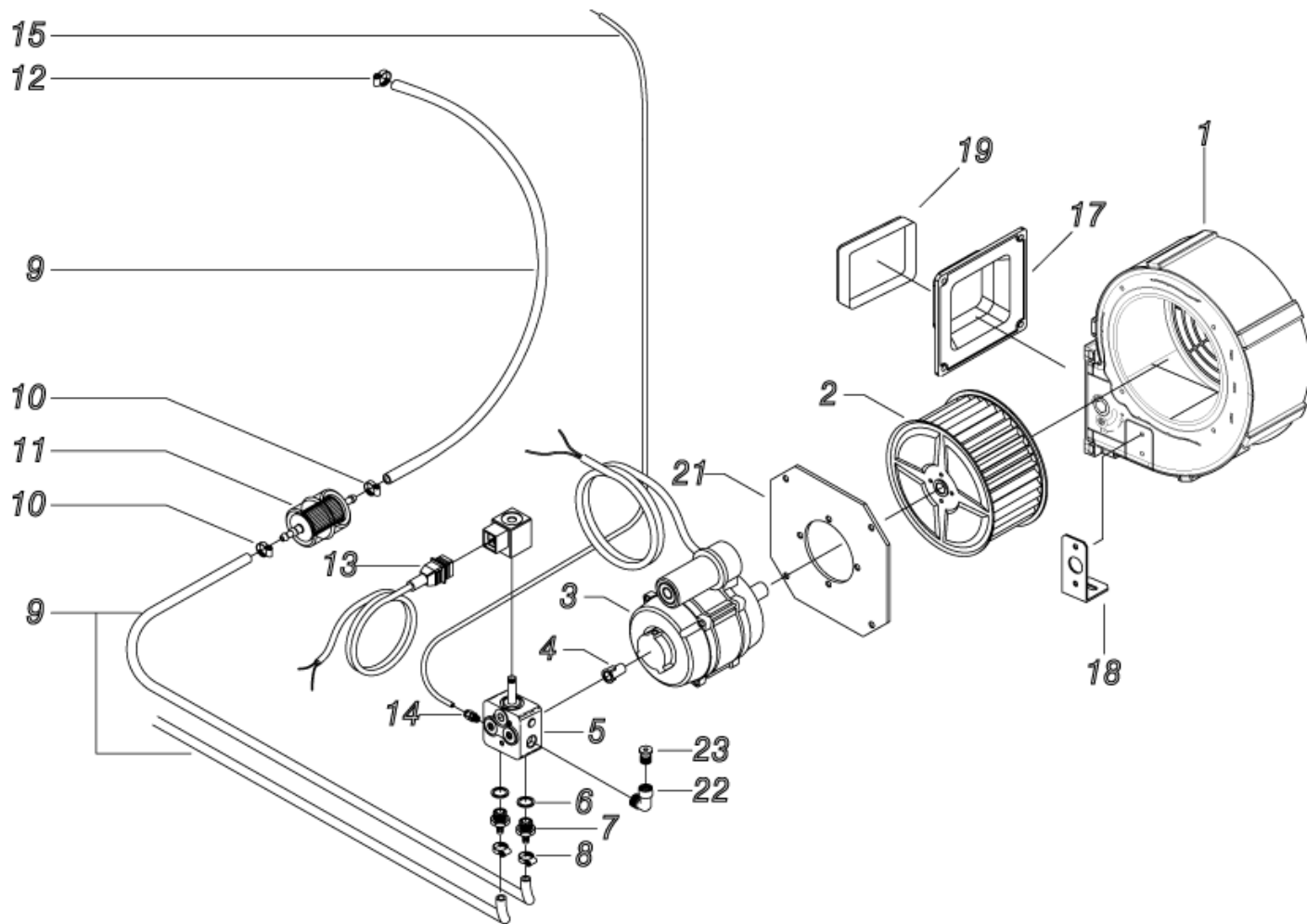
Ref.	K	Part N.	Customer Part N.	Description	Qty	Validity:		Price
						From	To	
0001		RCVR29600		SOCKET PTC 3/4 F	1,00			--
0002		RCVR37806		REDUCTION PTC 3/4-1/2 M/F	1,00			--
0003		GUGO37736		GASKET D. 10- 19 X 5 70SH	1,00			--
0004		FTAC30214		FILTER D.15X67	1,00			--
0005		RCDS49875		RING NUT 1/2"X 6 CH.27 OT.	1,00			--
0006		VTRS00549		WASHER D.21,5X27X1,5 (1/2) RM	1,00			--
0007		TBBP49338		L.P. HOSE L= 560 3/4F 90°- 1/2M	1,00			--
0008		RCGR60703		FLOATER MTM 3/4 PP. S/F.	1,00			--
0009		TBBP07631		L.P. HOSE D.10-14	0,10			--
0010		TBBP40017		L.P. HOSE L=450 3/4F90° -3/4F90° 150	1,00			--
0011		RCDS87610		NIPPLE 3/4 - 1/2 CB D.13.0	1,00	10/2011		--
0012		MPVR09436		BLACK KNOB ST 260	1,00		06/2014	--
0012		MPVR40589		BLACK KNOB ST 260 IPC	1,00	06/2014		--
0013		VVAZ40033		VALVE VRF-2 IP-W AC S/I.N.	1,00	12/2012		--
0013		VVAZ46720		VALVE MV 625 W151 AC S/I.N. REG.	1,00	10/2011	11/2012	--
0014		VTRS12491		WASHER 1/2	2,00	10/2011		--
0015		VTRS12492		WASHER 3/8	2,00	10/2011		--
0016		RCDS12486		SCREW G 1/2 L=48.5	1,00		10/2011	--
0016		RCDS40064		SCREW G 1/2 L=48.5 INX	1,00	10/2011		--
0017		RCDS12495		SCREW G 3/8 L=48.5	1,00		10/2011	--
0017		RCDS40096		SCREW G 3/8 L=48.5 INX	1,00	10/2011		--
0018		TBAP49336		HOSE-FITTING 3/ 8 R2 L=800 3/8O-1/2PMG	1,00			--
0019		RCDS00593		SUMP IM 0-120 L=50	1,00			--
0020		MLML02623		SPRING IMT	1,00			--
0021		RCDS15150		CONNECTOR O. 3/8 - G3/8M L=28.5	1,00			--
0022		VVSC40006		VALVE MR 402 2X G3/8 F	1,00			--
0023		RCDS03514		HOSE FITTING 3/8 M D. 5- 7	1,00			--
0024		FSVR00427		CLAMP D. 12 CLIC 66-110	2,00			--
0025		TBBP04917		L.P. HOSE D. 6- 9	0,28		04/2012	--
0025		TBBP93804		L.P. HOSE D. 6- 9	0,28	05/2012		--
0026		RCDS12859		SCREW 3/8 P.VSP 180 IX	1,00	10/2011		--
0026		RCDS14384		SCREW G 3/8 VSP 180	1,00		10/2011	--
0027		MPVR61359		WATER TANK BK C/F.G3/4	1,00			--
0028		MPVR40214		TANK COVER BK C/F.21LT	1,00			--
0029		MOTR40012		3PH MOTOR HP 9 2/460-5/60 K.8M	1,00	10/2011		--
0030		MFVR21735		COUNTERFLANGE MEC 112 2.V	1,00	10/2011		--
0031		GUGO42285		O-RING D. 35 X 2.5 VIT.70SH	1,00	10/2011		--
0032		RCDS34756		BUSHING IP W15 OT	1,00	10/2011		--
0034		PPAP42347		PUMP WS102 DX LT 21-100 BAR US	1,00	10/2011		--



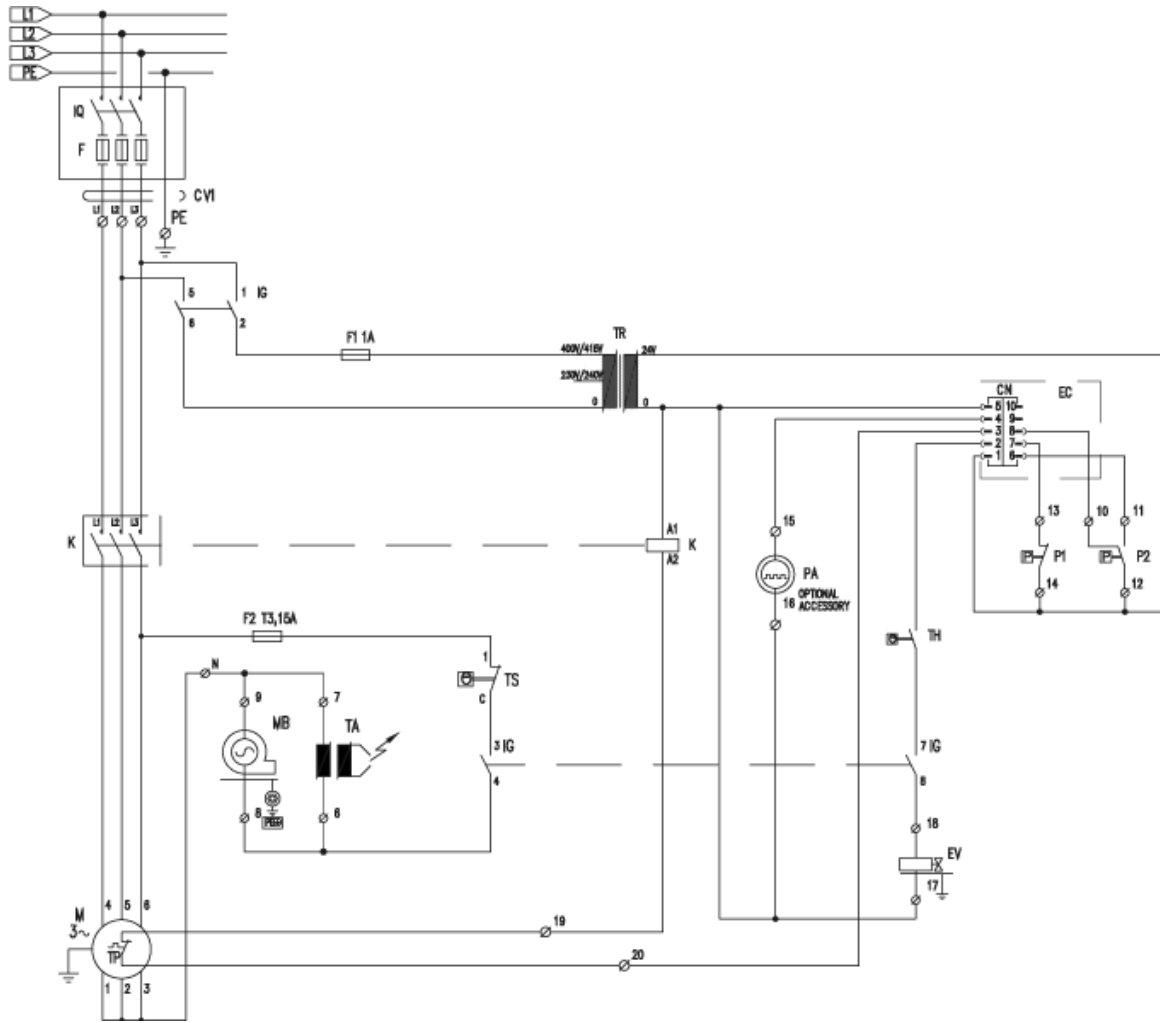
Ref. K	Part N.	Customer Part N.	Description	Qty	Validity:		Price
					From	To	
0035	TBAP49337		HOSE-FITTING 3/8 R2 L=525 M26+3/8F-P.	1,00			--
0036	RCDS21120		RING NUT M 26 X 1,5	1,00			--
0037	VTRS00548		WASHER D.17,5X23X1,5 (3/8)RM	1,00			--
0038	RCIN09348		MALE COUPLING 3/8MA L=32	1,00			--
0039	RCVR02606		REDUCTION 1/2-1/4 M/F	1,00	10/2011		--
0040	VVSF46712		VALVE 1/4M -PG. D.3X7.5	1,00			--
0041	TBBP00051		DETERGENT HOSE D. 6-12	1,30			--
0041	TBBP00051		DETERGENT HOSE D. 6-12	1,00	02/2015		--
0042	RCGR08069		TAP BODY DET. PRT	1,00			--
0043	GUGO08071		O-RING D. 4.48 X 1.78 NBR 70SH	1,00			--
0044	GUGO12183		O-RING D. 23.4 X 3.53 VIT 70SH	1,00			--
0045	RCGR08070		ADJUSTER PRT	1,00			--
0046	VTRS00542		WASHER D.14X20	1,00			--
0047	MLML08068		SPRING D.1,5 L.23	1,00			--
0048	MNMN49621		PRESSURE GAUGE 0-250 D.50 INOX	1,00			--
0049	TBAP40007		POLYAMIDE HOSE L=840 1/4 F-F P.MAN.	1,00			--
0050	RCDS40589		CONNECTOR T 3/8M - 1/4 M/F OT.	1,00	10/2011		--
0051	FTDT04648		FILTER PG. D.6 PLS	1,00			--
0053	RCDS40073		SUCTION HOSE S.INDY/3 21L	1,00			--
0056	PVVR40273		ADAPTER VRF-2 RG.	1,00	12/2012		--



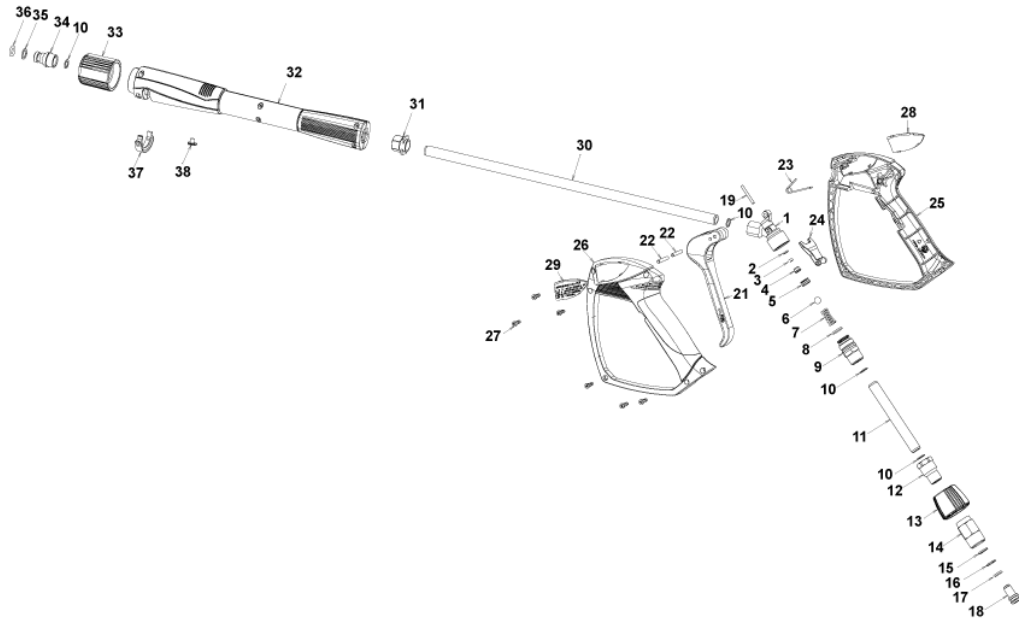
Ref.	K	Part N.	Customer Part N.	Description	Qty	Validity: From	To	Price
0001		GUGO21222		O-RING D. 15.54 X 2.62 VIT 80SH	2,00			--
0002		GUVR21021		ANTI-EXTR.RING D. 21 X17 TEF.	2,00			--
0003		RCDS21120		RING NUT M 26 X 1,5	2,00			--
0004		LAFN44149		BOILER BOTTOM P176	1,00			--
0005		ITTE44175		BOTTOM P176 C.TE	1,00			--
0006		LAFN40037		RING D.342 P176 ZN 2V.CPL.	1,00	07/2007		--
0007		LAFN44151		BAND P176 INX	1,00			--
0008		LAGR44873		DOUBLE COIL M26X1.5 P176 40MT.	1,00			--
0009		LAFN46226		INT. CYLINDER P176 40.CP.INX	1,00			--
0010		LAFN40035		EXT. CYLINDER P176-FR/2 40.CP.	1,00			--
0011		LAFN44159		PIN CH.10 X 75.7 M5M/M5M P176	3,00	05/2007		--
0012		LAFN44244		BAFFLE P176 30M INX	1,00			--
0013		MFVR44251		ELECTR.HOLDER P176	1,00			--
0014		UGBR22576		BURNER NOZZLE 1.35 60 S	1,00			--
0015		RCDS07642		NOZZLE HOLDER FUT	1,00			--
0016		MECA12525		ELECTRODE FUT	1,00			--
0017		MECV35336		CABLE A.T. 9,8-23KOHM/M L= 750P	2,00			--
0018		MECB89638		CABLE BT L=1000 SP.	1,00			--
0019		RCVR08954		ELBOW 1/8"-4 B5	1,00	03/2015		--
0019		RCVR08954		ELBOW 1/8"-4 B5	1,00		06/2013	--
0019		RCVR14014		BI-CONE CONNec.DTT 1/8"M B1 D. 2/ 4 NIK	1,00	07/2013	10/2013	--
0019		RCVR40126		BI-CONE CONNec.T 1/8"M/F D. 4/ 6C NK.	1,00	11/2013	02/2015	--
0019		RCVR72867		CONNECTOR A "T" 1/8" FFM	1,00	07/2013	10/2013	--
0019		RCVR89230		CAP G 1/8 M C/O-RING.	1,00	07/2013	02/2015	--
0020		MPVR40013		CONVEYOR P176-FBX PA6 BK.	1,00	01/2010		--



Ref.	K	Part N.	Customer Part N.	Description	Qty	Validity:		Price
						From	To	
0001		MPVR40010		SCROLL CB4 -2PZ.CP	1,00			--
0002		VEVR34275		IMPELLER D.160-80 D.12.7 36P B.SX	1,00			--
0003		MOMB40002		BURNER MOTOR 230-50 IP44 110W AO+CNN	1,00			--
0005		PPGS40005		FUEL PUMP DNF BFA 01L3R2	1,00			--
0006		VTRS04931		WASHER COPPER D.13X19X1.5	2,00			--
0007		RCDS00626		HOSE FITTING 1/4 M D. 5- 7	2,00			--
0009		TBCO06945		L.P. HOSE D. 6-12 10BAR C.PRESS	0,28			--
0009		TBCO06945		L.P. HOSE D. 6-12 10BAR C.PRESS	0,90	09/2011		--
0009		TBCO06945		L.P. HOSE D. 6-12 10BAR C.PRESS	0,55	09/2011		--
0010		FSVR11197		CLAMP D.I. 11 13315	1,00			--
0011		FTCO34840		FUEL FILTER FB 7/A NYL.	1,00		04/2010	--
0011		FTCO40003		FUEL FILTER FB 7/TA 60mc NYL.	1,00	04/2010		--
0012		FSVR00427		CLAMP D. 12 CLIC 66-110	2,00			--
0013		MECB18118		CABLE DLT L=1.600	1,00			--
0014		RCVR14014		BI-CONE CONNEC.DTT 1/8"M B1 D. 2/ 4 NIK	1,00			--
0015		TBCO40003		DIESEL HOSE INDY/3 40MT. D. 4	1,00		01/2015	--
0015		TBCO40027		DIESEL HOSE INDY/3 40MT. D. 4 IX	1,00	01/2015		--
0017		MPVR40041		CONVEYOR P176-CB4 PA6 BK.	1,00			--
0018		LAFN40210		BRACKET INDY/2-4W ZC.	1,00			--
0019		GUGO20124		GASKET KSM	1,00			--
0021		LAFN10272		MOTOR PLATE CB 3	1,00			--
0022		RCVR34780		ELBOW 1/8" M/F A10	1,00	03/2015		--
0023		RCVR89230		CAP G 1/8 M C/O-RING.	1,00	03/2015		--

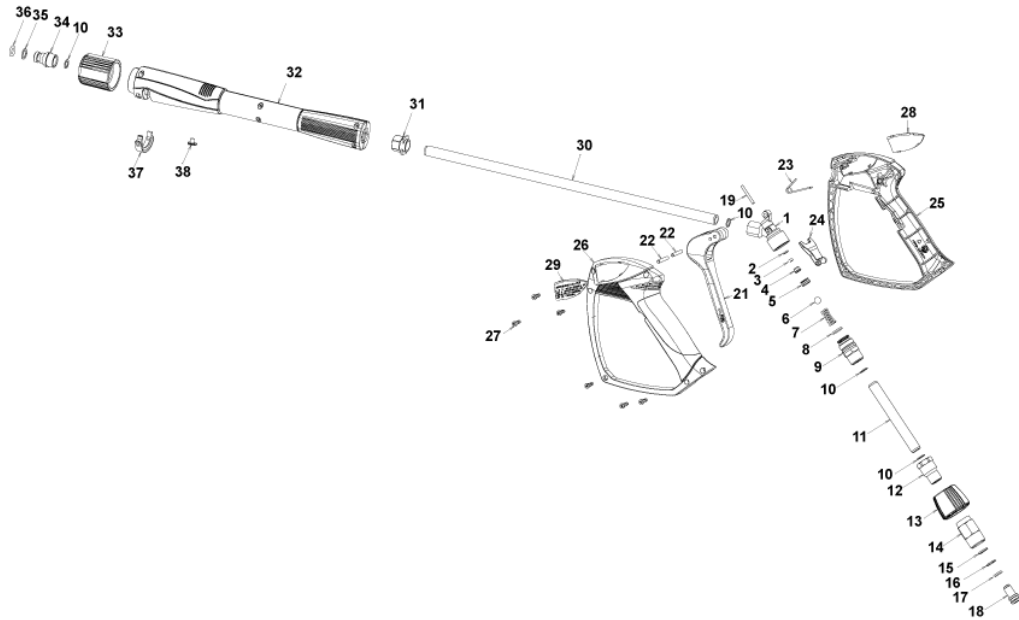


Ref.	K	Part N.	Customer Part N.	Description	Qty	Validity:		Price
						From	To	
K		METT40019		CONTACTOR SIE 3RT 2025-1AC20 24V	1,00	09/2014		--
K		METT45022		CONTACTOR SIE 3RT 1025 1AC20 24V	1,00		09/2014	--
EC		MECE48580		PCB P190 T-ST/MP V.PLUS	1,00			--
EV		MEBE43704		COIL DNF 24-50	1,00			--
F1		MEVR09010		FUSE 5X20 0,5A	1,00			--
F2		MEVR00237		FUSE 5X20 3,15A	1,00			--
IG		MECI40017		COMMUTAT.SWITCH0-1-2 UN.	1,00	01/2011		--
IG		MECI40544		COMMUTAT.SWITCH0-1-2 HD12H022-R000	1,00		01/2011	--
P1		MEPF40009		PRESSURE SWITCHPR 5 3/8M 25BAR	1,00	09/2012		--
P1		MEPF45229		PRESSURE SWITCHMTM 3/8M NA/NC 25B. MICRO	1,00		08/2012	--
P2		MEPF39902		PRESSURE SWITCHMTM 1/4M NA/NC 25B. MICRO	1,00		08/2012	--
P2		MEPF62126		PRESSURE SWITCHPR 5 1/4M 40BAR	1,00	03/2013		--
P2		MEPF76254		PRESSURE SWITCHPR 5 1/4M 25BAR	1,00	09/2012	02/2013	--
TA		METR88630		TRANSFORMER 23/240V-5/60HZ 2X26KV TR.	1,00			--
TH		METK19354		THERMOSTAT 0-150° L=1500	1,00		12/2010	--
TH		METK40006		THERMOSTAT 0-150° L=1500 S&R	1,00	12/2010	12/2012	--
TH		METK40011		THERMOSTAT 0-150° L=1500 F&C	1,00	01/2013		--
TR		METR40003		TRANSFORMER 35VA 230-400/24 5/60HZ PM	1,00			--
TS		METK34839		THERMOSTAT 60°C TR/711-N C.1.5	1,00			--
CV1		MECB17414		CABLE H07 RNF 4X2.5 L=6.500	1,00			--
CV1		MEVR09422		PLUG WMX 3P+N+T 16A 380V	1,00			--

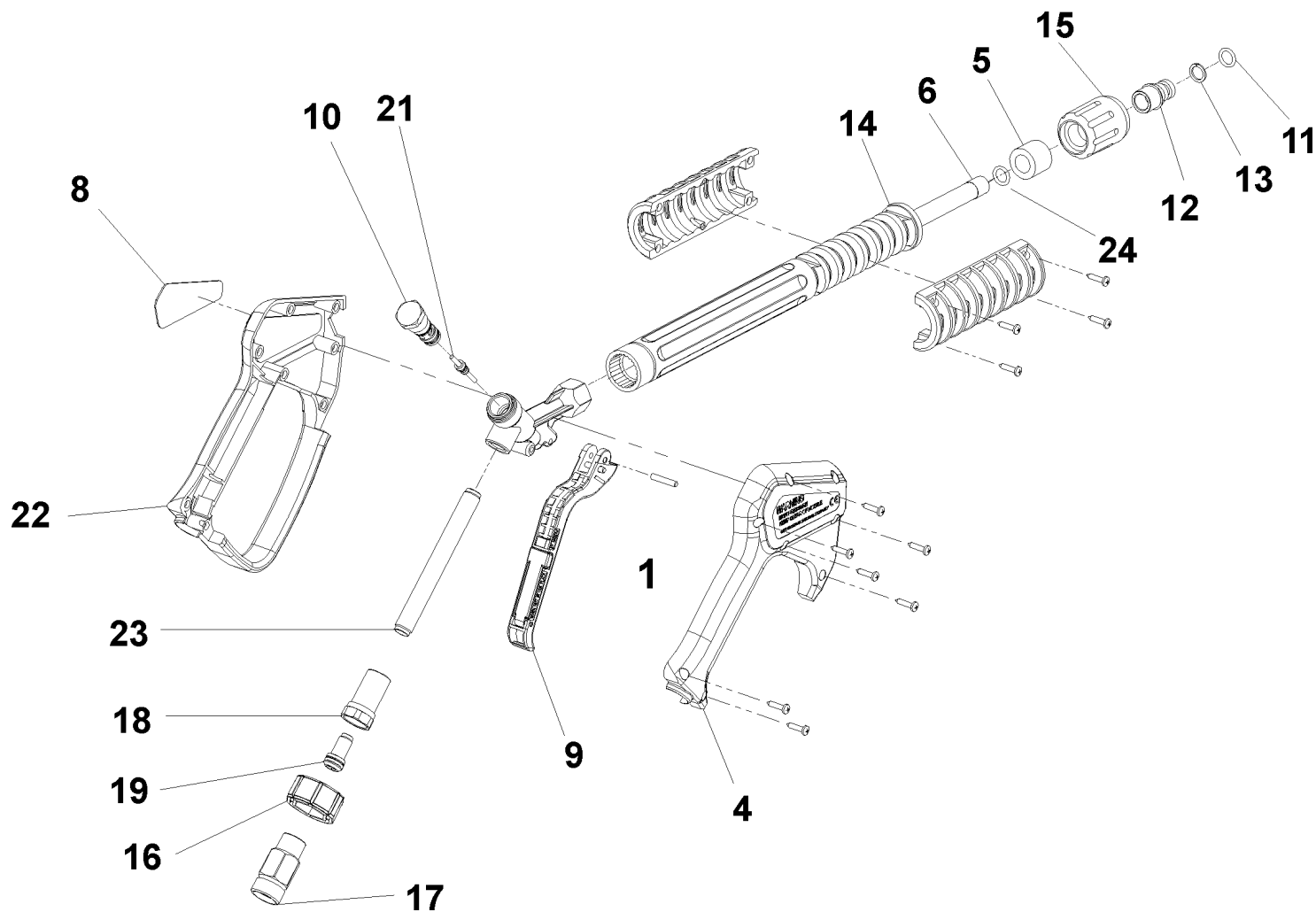


Ref.	K	Part N.	Customer Part N.	Description	Qty	Validity:		Price
						From	To	
0001		PVVR40381		GUN BODY G 5100 G1/4F	1,00			--
0002	S	GUVR40074		ANTI-EXTR.RING D. 3 X 7.4X1.3	1,00			--
0003	S	GUGO21835		O-RING D. 2.84 X 2.62 VIT. 80SH	1,00			--
0004		PVVR40382		PISTON GUIDE G 5100	1,00			--
0005	S	PVVR40112		BALL SEAT G 5000	1,00			--
0006	S	SFVR27026		BALL D.11/32" INX	1,00			--
0007		MLML40016		SPRING D. 9.4 x21.5x1.6 G5000	1,00			--
0008		GUGO12322		O-RING D. 14 X 1.78 NBR 90SH	1,00			--
0009		PVVR40383		CONNECTOR COLL.G5100 1/4F	1,00			--
0010		VTRS40017		WASHER D. 8,2X11,4X1,00 AL	4,00			--
0011		PVVR40384		TUBE G 1/4" L.105	1,00			--
0012		RCIN40022		CONNECTOR SWIV G5100 1/4F	1,00			--
0013		MPVR40486		RING NUT G 5100 SW. GR.	1,00			--
0014		RCIN40021		JOINT SWIV 5100 M22	1,00			--
0015	S	GUVR40075		ANTI-EXTR.RING D. 10 X14X1.5	1,00			--
0016	S	GUVR40076		ANTI-EXTR.RING D. 11.2X14X1.2	1,00			--
0017	S	GUGO15295		O-RING D. 10.82 X 1.78 VIT 80SH	1,00			--
0018		PVVR40386		SCREW SW. G 5100	1,00			--
0019		PVVR40387		SMALL PISTON G 5100	1,00			--
0021		MPVR40487		TRIGGER G 5100-SW	1,00			--
0022		VTVR40047		PLUG D. 4X29	2,00			--
0023		MLML40029		SPRING G 5100	1,00			--
0024		MPVR40488		SAFETY-DEVICE G 5100-SW	1,00			--
0025		MPVR40489		SHELL G 5100-SW DX	1,00			--
0026		MPVR40490		SHELL G 5100-SW SX	1,00			--
0027		VTVT40043		SCREW AF 4X 14 HILO ZN.N	6,00			--
0028		MPVR40491		PLATE G 5100 GR.DX	1,00			--
0029		MPVR40492		PLATE G 5100 GR.SX	1,00			--
0030		LCPR40086		TUBE 1/4 L=420 ZC. 0°	1,00			--
0031		MPVR40493		CONNECTOR G 5100-SW	1,00			--
0032		MPVR40494		PROTECTION P 420 C/AN.	1,00			--
0033		PVVR40119		CONNECTION M22X1,5 IRV G5000	1,00			--
0034		RCIN40009		GUDGEON G 1/4 F IRV G5000	1,00			--
0035		GUVR40034		ANTI-EXTR.RING D. 10 X14	1,00			--
0036		GUGO01946		O-RING D. 9.13 X 2.62 VIT 70SH	1,00			--
0037		MPVR40495		CAP G 5100 REM.	1,00			--
0038		MPVR40198		CAP G 5000	1,00			--

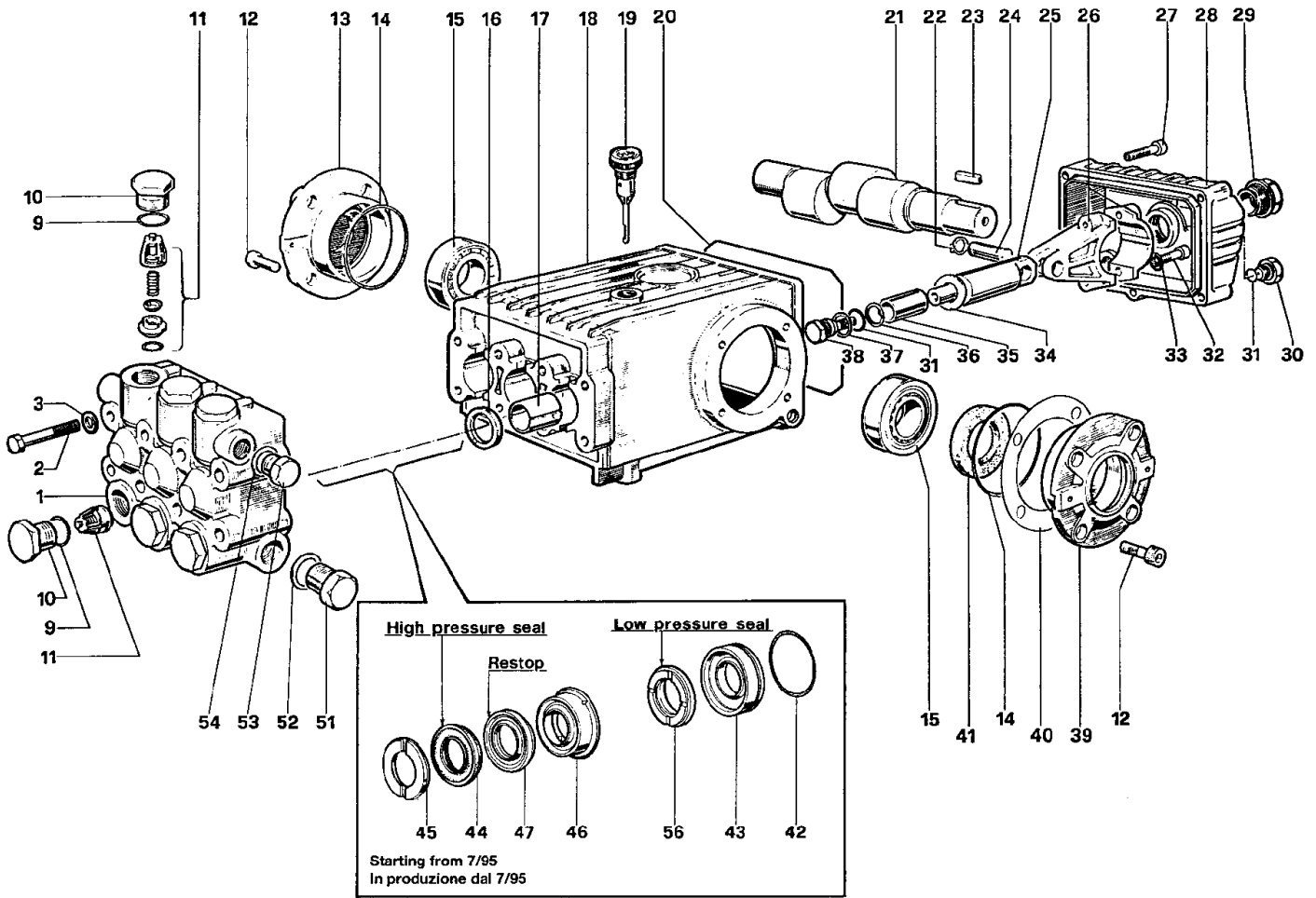




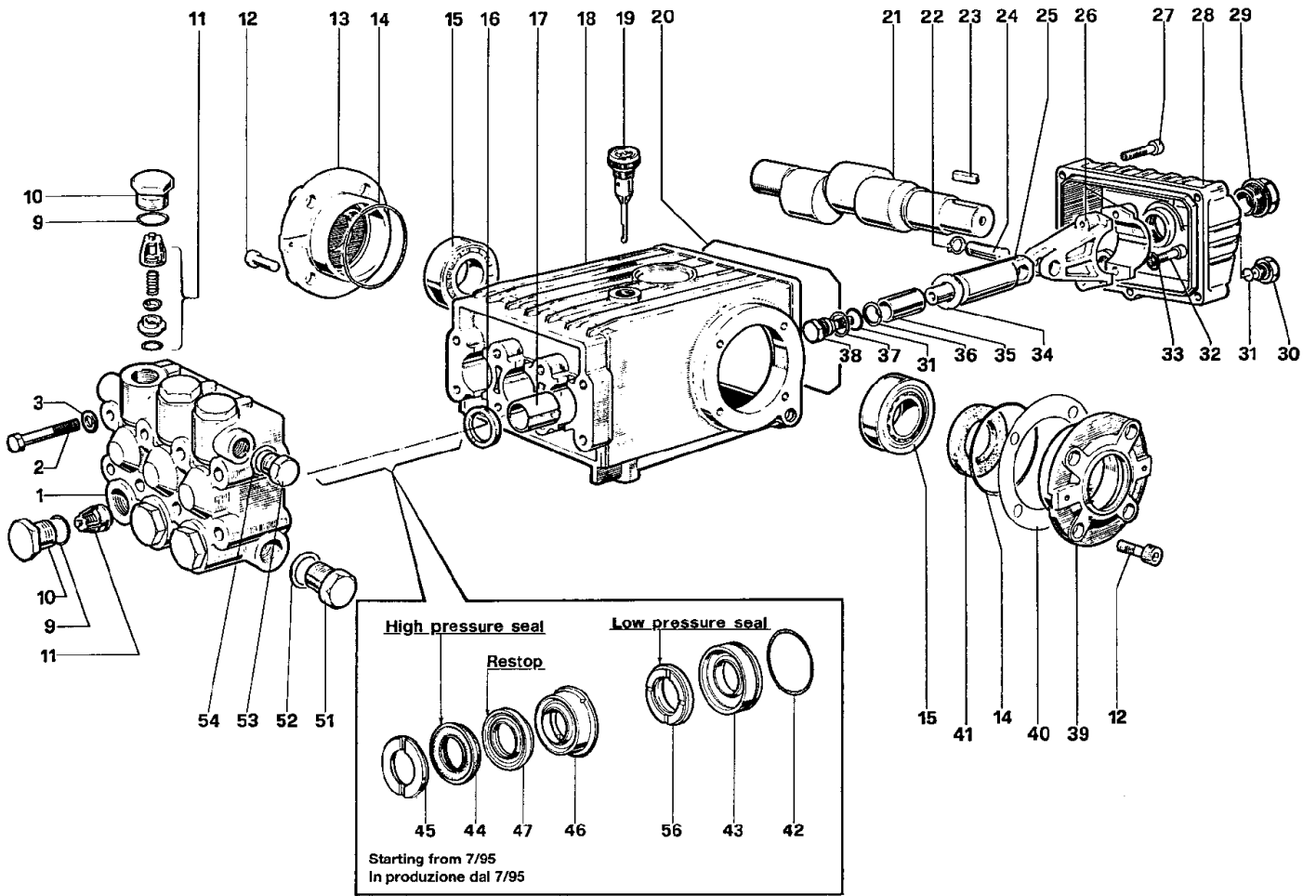
Ref. Part N.	Cust. Part N.	Description	Reference	Price
KTRI40242		KIT P 26- 25 G 5100	0002 0003 0005 0006	--
KTRI40243		KIT P 26- 25 SWIVEL G 5100	0015 0016 0017	--



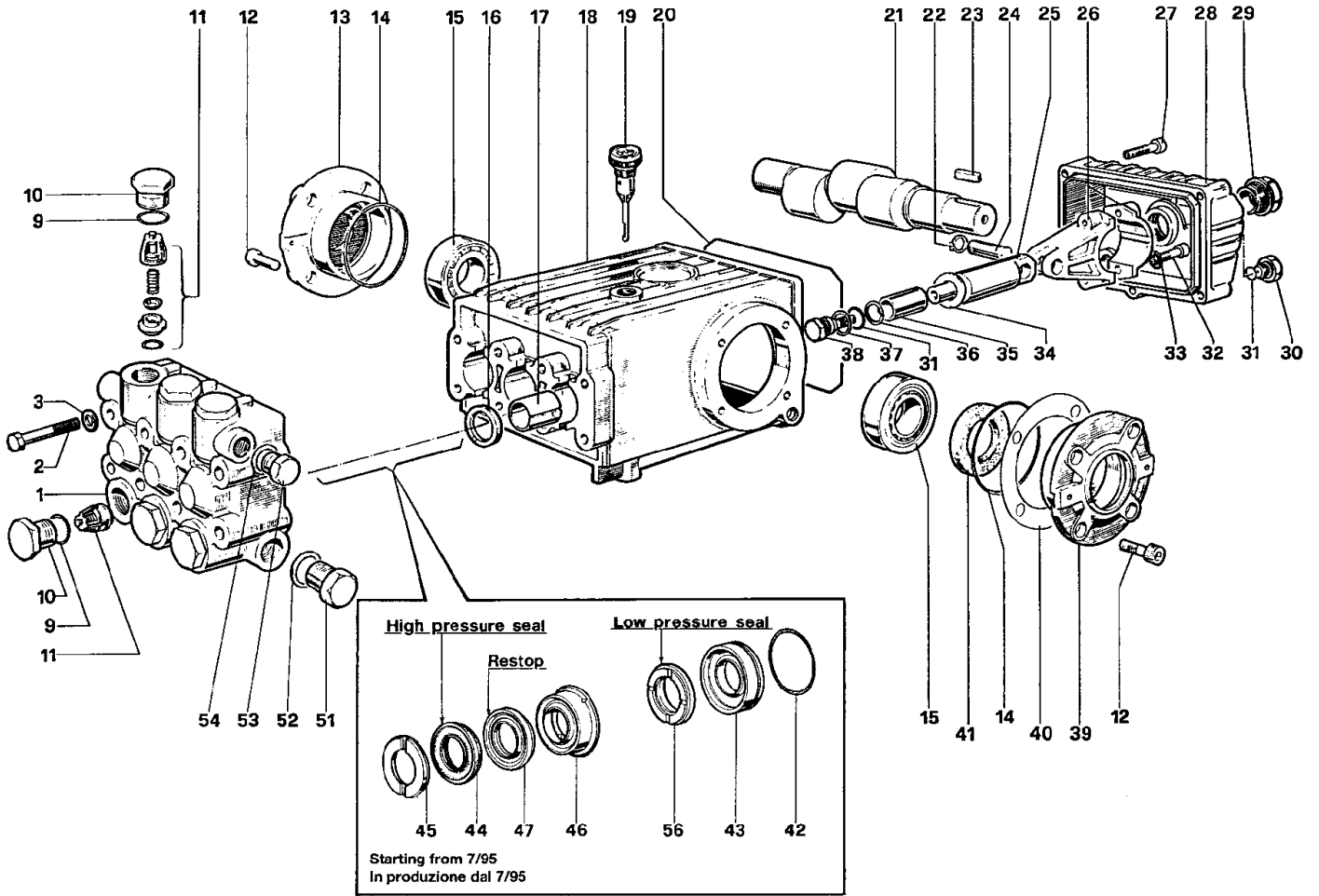
Ref. K	Part N.	Customer Part N.	Description	Qty	Validity:		Price
					From	To	
0001	VTVR46568		PLUG G 4500	1,00			--
0004	MPVR40157		COVER G 4500 2V.	1,00	05/2008		--
0004	MPVR46563		COVER G 4500	1,00		04/2008	--
0005	MPVR46572		SPACER P 330 ST	1,00			--
0006	LCPR40007		TUBE 1/4 L=352 ZC. 2V.	1,00	05/2008		--
0006	LCPR46571		TUBE 1/4 L=352 ZC.	1,00		04/2008	--
0008	MPVR46569		PLATE G 4500 RD.	1,00			--
0009	MPVR40057		TRIGGER G 4500 -SW	1,00			--
0010	PVVR40030		SMALL PISTON TM ST-2300	1,00			--
0011	GUGO10384		O-RING D. 10 X 2.2 VIT 80SH	1,00			--
0012	RCVR13030		GUDGEON G 1/4 F L=31.5	1,00			--
0013	GUVR10526		ANTI-EXTR.RING D.13.9X10.2 C.BZ	1,00			--
0014	MPVR46570		PROTECTION P 330 ST	1,00			--
0015	PVVR13445		CONNECTION M 22X1.5 L=45	1,00			--
0016	MPVR40058		RING NUT G4500 SW.	1,00			--
0017	RCIN40001		JOINT SWIV 4500 3/8"F	1,00		04/2008	--
0017	RCIN40005		JOINT SWIV 4500 3/8"F 2V.	1,00	05/2008		--
0018	RCIN31641		CONNECTOR SWIV 1500 F	1,00			--
0019	KTRI31645		KIT P 26- 14	1,00			--
0021	PVVR40031		ROD ST-2300	1,00			--
0022	MPVR40156		SHELL G 4500 2V.	1,00	05/2008		--
0022	MPVR46562		SHELL G 4500	1,00		04/2008	--
0023	PVVR40023		TUBE G 1/4" M/M P/SW.	1,00			--
0024	GUGO27021		O-RING D. 11 X 2.5 EPD 70SH	1,00	05/2008		--



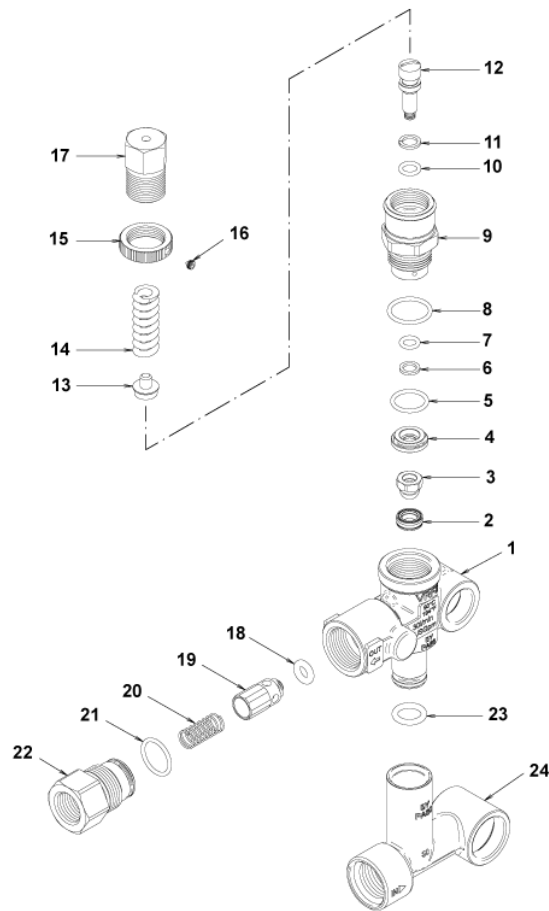
Ref.	K	Part N.	Customer Part N.	Description	Qty	Validity:		Price
						From	To	
0001		MFVR01097		HEAD W 151	1,00			--
0002		VTVT01111		SCREW TE M 8X70 UNI 5737 A.10.9	8,00			--
0003		VTRS01072		WASHER D. 8 TC	8,00			--
0009	S	GUGO01033		O-RING D. 20.24 X 2.62 NBR 90SH	6,00			--
0010	S	RCDS01087		CAP M24X2X16 OTT	6,00			--
0011	S	VVAM01104		VALVE UNIT W 70-151	6,00			--
0012		VTVT01118		SCREW TCEI M 8X16 ZC. UNI 5931	8,00			--
0013		MFVR03576		CRANKCASE COVER W151	1,00			--
0014		GUGO01041		O-RING D. 67.95 X 2.62 NBR 70SH	2,00			--
0015		CUVR09205		ROLLER BEARING 32206 A	2,00			--
0016	S	GUGO01000		OIL SEAL 22X 32X 5 NBR70	3,00			--
0017		PVVR01011		BUSHING W 151	3,00			--
0018		MFVR01013		PUMP CRANKCASE W 151	1,00			--
0019		PVVR01092		OIL DIPSTICK W 151	1,00			--
0020		GUGO34590		O-RING D. 133.02 X 2.62 NBR 70SH	1,00			--
0021		ALMO41529		SHAFT TS 1521 USA	1,00			--
0022		VTAE14016		CIRCLIP D. 12 UNI 7435	6,00			--
0023		VTVR41531		KEY 8X 7X35 UNI 6604A	1,00			--
0024		PVVR01085		GUDGEON D.13X35 W151	3,00			--
0025		PVVR01029		PISTON GUIDE W 151	3,00			--
0026		BLVR01009		CONNECTING ROD W 151	3,00			--
0027		VTVT01116		SCREW TCEI 6X30 UNI5931	5,00			--
0028		MFVR03582		CRANKCASE COVER W 151 POS	1,00			--
0029		PVVR01083		OIL INDICATOR G 3/4 W70-151	1,00			--
0030		RCDS01088		CAP 1/4X 9 M WW90	1,00			--
0031	S	GUGO01036		O-RING D. 10.82 X 1.78 NBR 70SH	4,00			--
0032		VTVT01120		SCREW TCEI 8X35 UNI5931	6,00			--
0033		VTRS14242		WASHER D. 8.4X13X0.8 UNI7064 SCH	6,00			--
0034	S	VTRS01753		WASHER D.14X28 X0,5	3,00			--
0035		PIVR01066		PISTON D.20X50 W 151	3,00			--
0036	S	GUVR00994		ANTI-EXTR.RING W151	3,00			--
0037	S	VTRS01076		WASHER D.14X18,5X0,5	3,00			--
0038	S	PVVR01107		PISTON BOLT IP W151	3,00			--
0039		MFVR03583		CRANKCASE COVER W151	1,00			--
0040		PVVR01016		THICKNESS 0,1 W 151	2,00			--
0041	S	GUGO01003		OIL SEAL 30X 55X 7 NBR70	1,00			--
0042	S	GUGO01042		O-RING D. 34.6 X 1.78 NBR 70SH	3,00			--
0043	S	PVVR00977		PACKING RETAIN.W151	3,00			--
0044	S	GUVR00981		PACKING W151	3,00			--



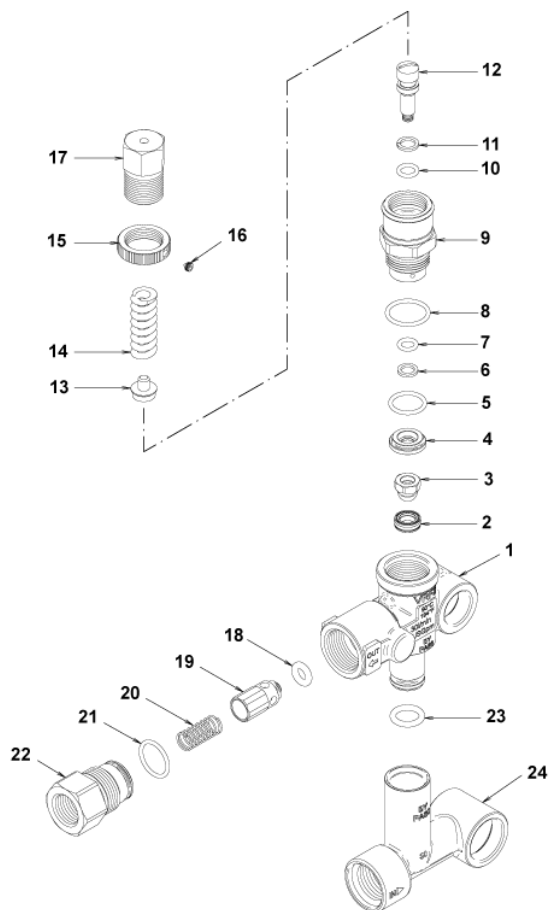
Ref.	K	Part N.	Customer Part N.	Description	Qty	Validity:		Price
						From	To	
0045	S	PVVR00985		HEAD RING W151	3,00			--
0046	S	PVVR34589		INTERMED. RING W 151 D. 20	3,00			--
0047	S	GUVR34587		PACKING D. 20 RESTOP	3,00			--
0051		RCDS01091		CAP 1/2X10 M	1,00			--
0052		VTRS01075		WASHER D.21,5X27 ALL	1,00			--
0053		RCDS01090		CAP 3/8X13 M WW90	1,00			--
0054		VTRS01074		WASHER D.17,05X22,3 X1,5	1,00			--
0056	S	GUVR34585		PACKING W 151 L.P.	3,00			--



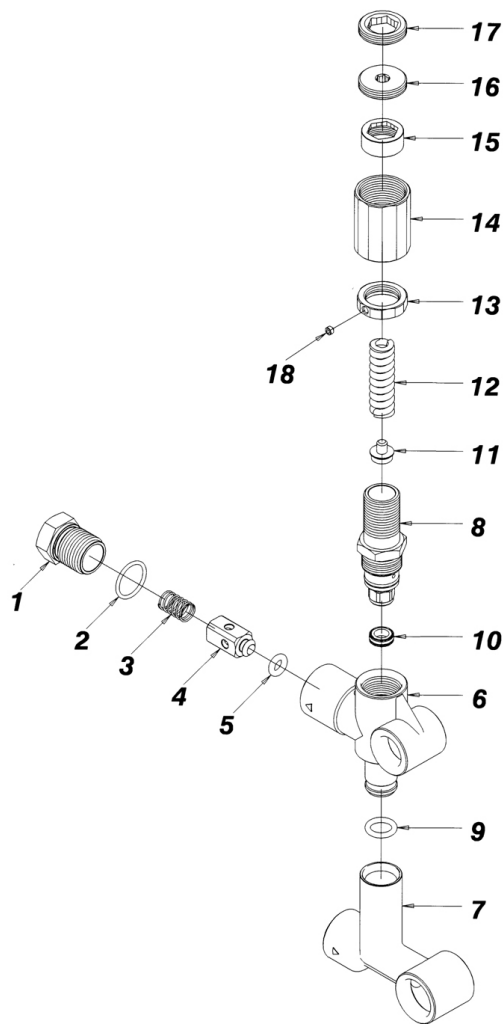
Ref. Part N.	Cust. Part N.	Description	Reference	Price
KTRI14900	KIT P	15- 3	0041	--
KTRI14901	KIT P	10	0042 0043	--
KTRI17793	KIT P	6	0031 0034 0036 0037 0038	--
KTRI17795	KIT P	4	0009 0010	--
KTRI17859	KIT P	1	0011	--
KTRI17860	KIT P	15- 2	0016	--
KTRI18574	KIT P	7	0045	--
KTRI18579	KIT P	28	0042 0043 0044 0045 0046 0047 0056	--



Ref.	K	Part N.	Customer Part N.	Description	Qty	Validity:		Price
						From	To	
0001		PVVR40362		VALVE BODY VRF2	1,00			--
0002	S	PVVR40363		VALVE SEAT MV124 +OR	1,00			--
0003	S	PVVR40364		COUPLING MV124	1,00			--
0004	S	PVVR40365		SPACER MV124	1,00			--
0005	S	GUGO12322		O-RING D. 14 X 1.78 NBR 90SH	1,00			--
0006	S	GUVR40072		ANTI-EXTR.RING D. 6.5X 9.4	1,00			--
0007	S	GUGO83861		O-RING D. 6.07 X 1.78 NBR 90SH	1,00			--
0008	S	GUGO24913		O-RING D. 17.17 X 1.78 NBR 90SH	1,00			--
0009	S	PVVR40366		CONNECTOR VRF2 D.10	1,00			--
0010	S	GUGO03500		O-RING D. 6.75 X 1.78 NBR 70SH	1,00			--
0011	S	GUVR40073		ANTI-EXTR.RING D. 7.1X10 X1.2 TBT	1,00			--
0012	S	PVVR40367		SMALL PISTON D.10 VRF2	1,00			--
0013		PVVR40368		SPRING PLATE MV124 25B	1,00			--
0014		MLML40027		SPRING D. 3.0/6.0 X38.85	1,00			--
0015		PVVR40369		RING NUT MV167.09	1,00			--
0016		VTVT89696		SCREW EI-ST 4X 4 UNI5927 ZC	1,00			--
0017		PVVR40370		CAP VRF2 M18X1	1,00			--
0018	S	GUGO46053		O-RING D. 6 X 3 NBR 90SH	1,00			--
0019	S	PVVR40349		COUPLING VRT3	1,00			--
0020	S	MLML40026		SPRING VRT3	1,00			--
0021	S	GUGO12321		O-RING D. 15.6 X 1.78 NBR 90SH	1,00			--
0022		PVVR40350		CONNECTOR VRT3 G 3/8F	1,00			--
0023		GUGO11225		O-RING D. 10.78 X 2.62 NBR 70SH	1,00			--
0024		PVVR40371		CONNECTOR VRF2.38	1,00			--



Ref. Part N.	Cust. Part N.	Description	Reference	Price
KTRI40236	KIT P	14-103 VRF2	0002 0003 0004 0005 0006 0007 0008 0009 0010 0011 0012 0018 0019 0020	
			0021	--
KTRI40237	KIT P	14-104 SEAL VRF2	0002 0003 0005 0006 0007 0008 0010 0011 0018 0021	--



Ref.	K	Part N.	Customer Part N.	Description	Qty	Validity:		Price
						From	To	
0001		PVVR47977		CONNECTOR MV625 G 3/8F	1,00			--
0002		GUGO01058		O-RING D. 17.17 X 1.78 NBR 70SH	1,00			--
0003		MLML47978		SPRING MV 625	1,00			--
0004		PVVR47979		PIN MV 625	1,00			--
0005		GUGO46053		O-RING D. 6 X 3 NBR 90SH	1,00			--
0006		PVVR47980		VALVE BODY MV 625	1,00			--
0007		PVVR47997		CONNECTOR MV 625 H.73	1,00			--
0008		PVVR47988		CONNECTOR MV 625 REG.	1,00			--
0009		GUGO11225		O-RING D. 10.78 X 2.62 NBR 70SH	1,00			--
0010		PVVR47985		VALVE SEAT MV 625 + O-RING	1,00			--
0011		PVVR47986		SPRING PLATE MV 625	1,00			--
0012		MLML47987		SPRING D. 3.25X41.1 MV 625	1,00			--
0013		PVVR47984		RING NUT MV 625	1,00			--
0014		PVVR47989		CAP MV 625 REG.	1,00			--
0015		PVVR47990		RING NUT MV 625 REG.	1,00			--
0016		PVVR47991		REGISTER MV 625 REG.	1,00			--
0017		PVVR47992		CLAMP MV 625 REG.	1,00			--
0018		VTVT24918		SCREW EI-ST 4X 4 UNI5927	1,00			--