



**IPC Integrated Professional Cleaning**

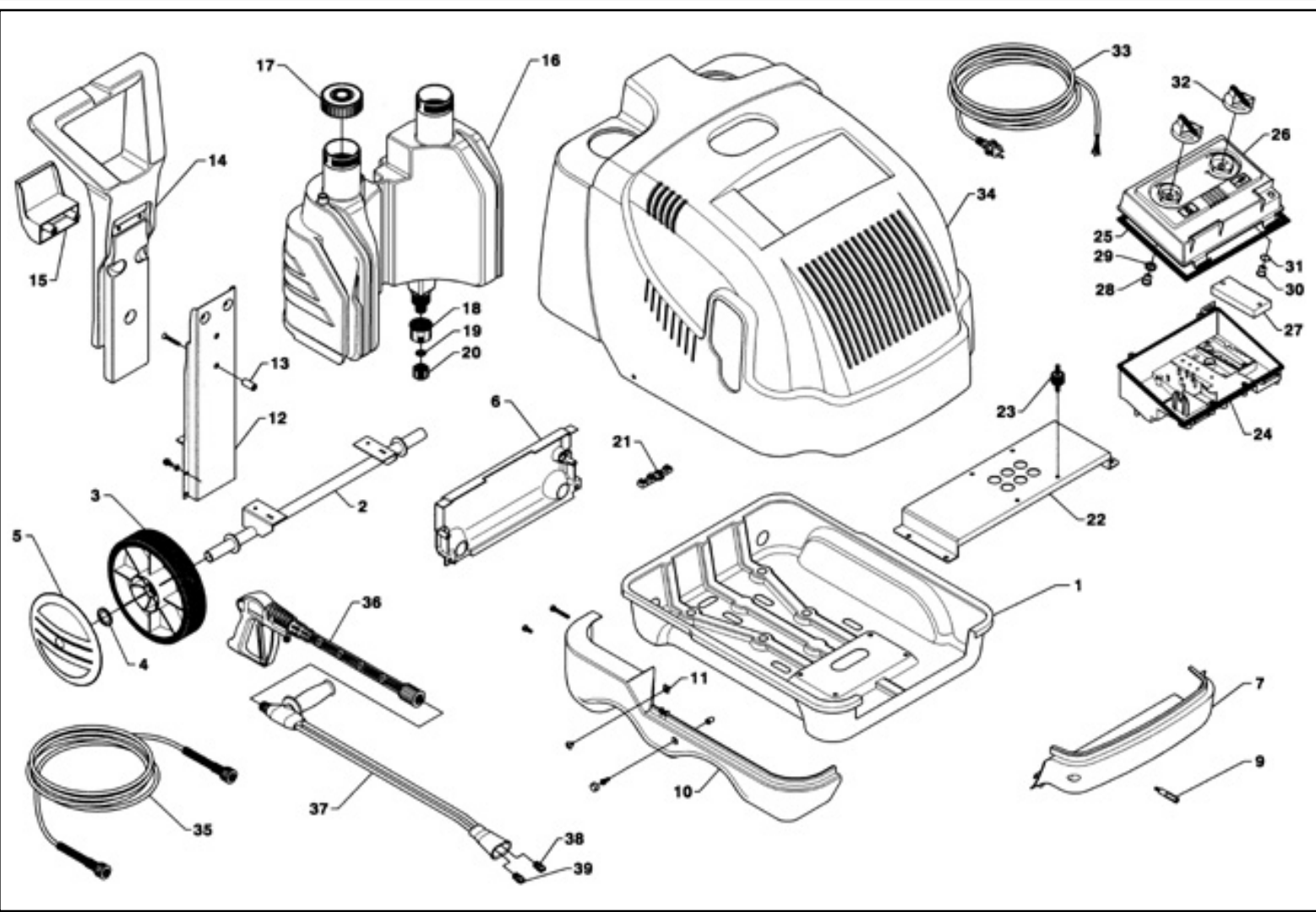
**IPC** Portotecnica

## Spare Parts List

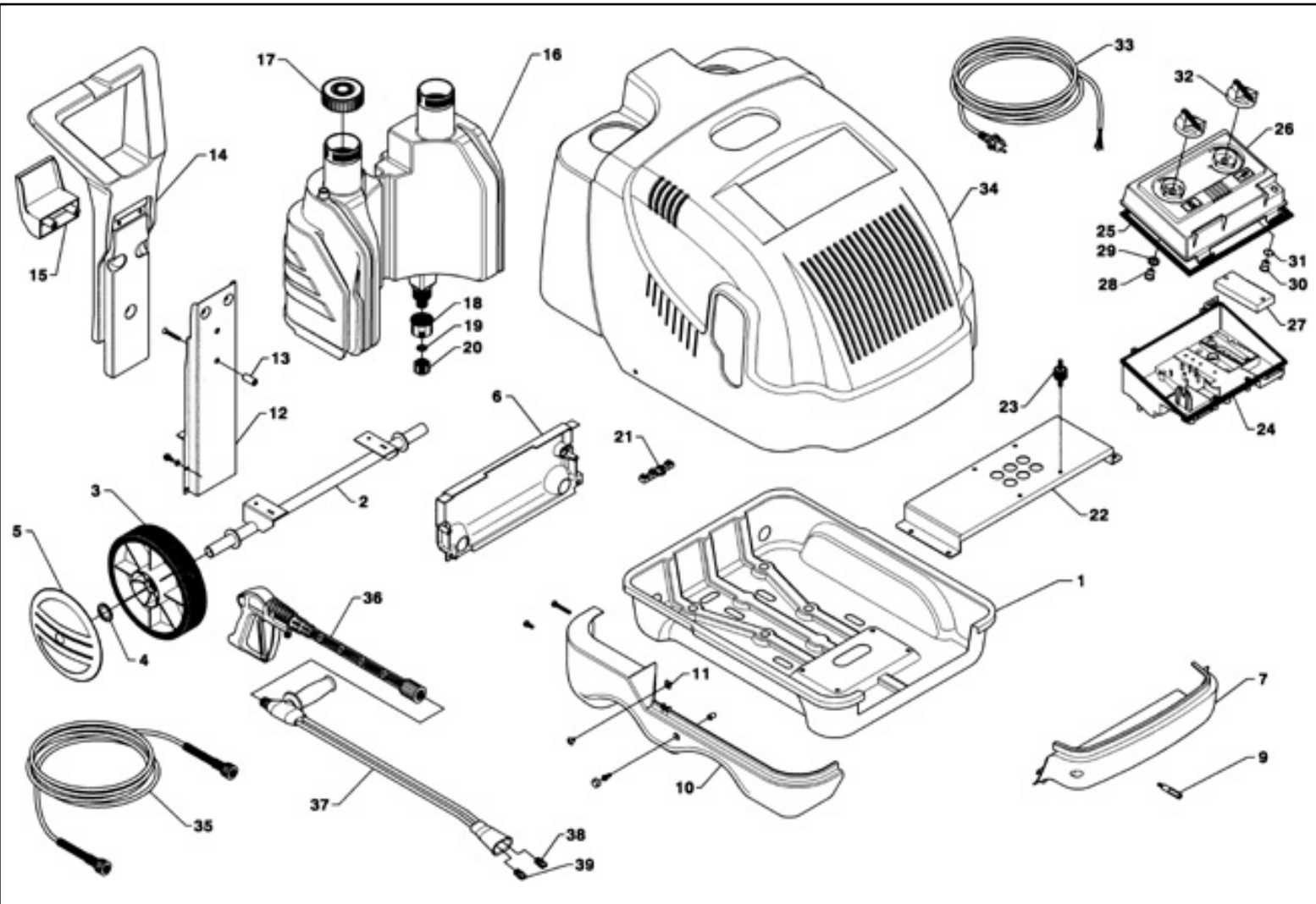
IPF ENGINEERING LTD

Ref: IDAC38941

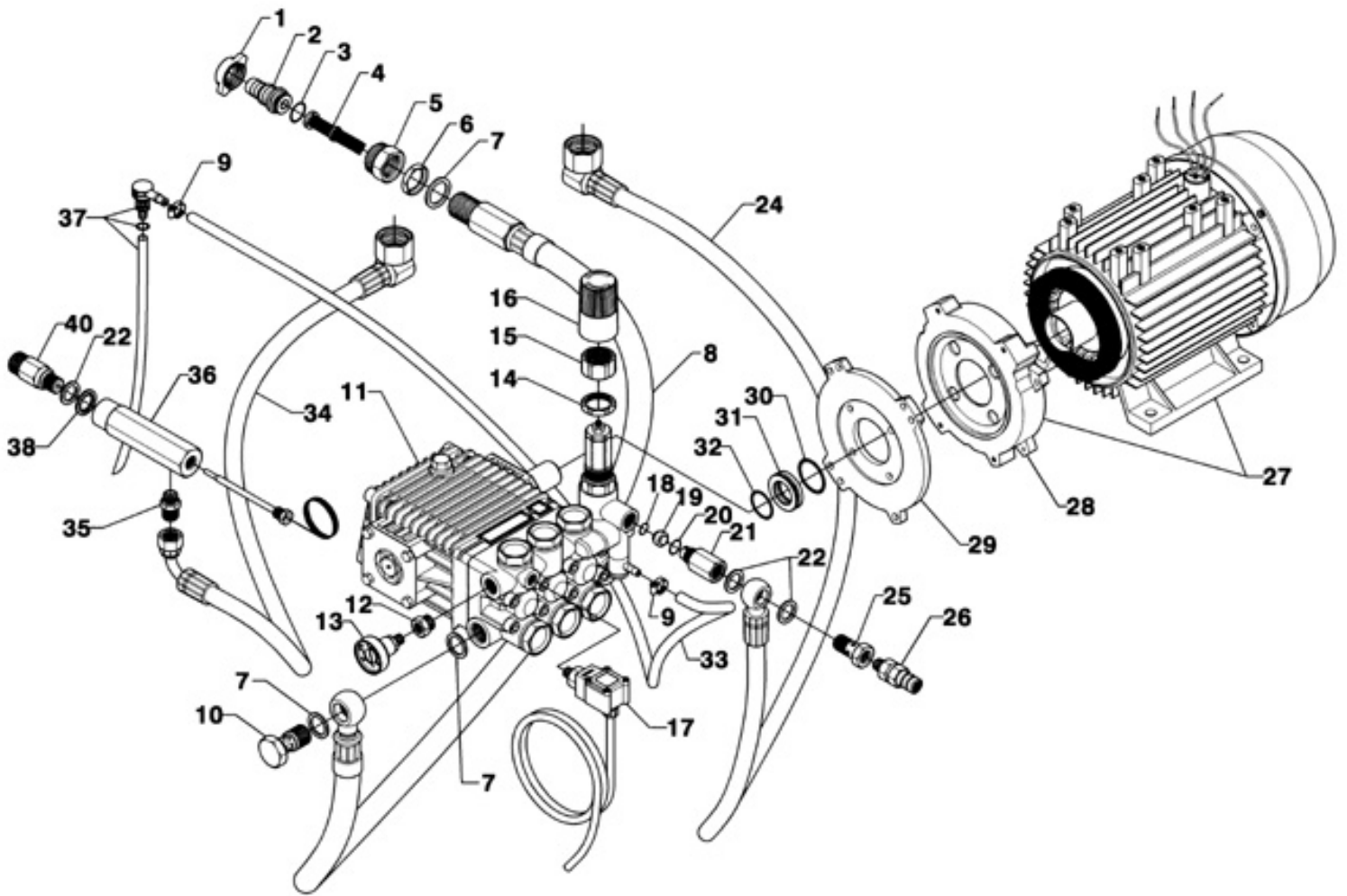
Model: IDROP SILVER JT.DS 2930 T 400/50 3-01PRT



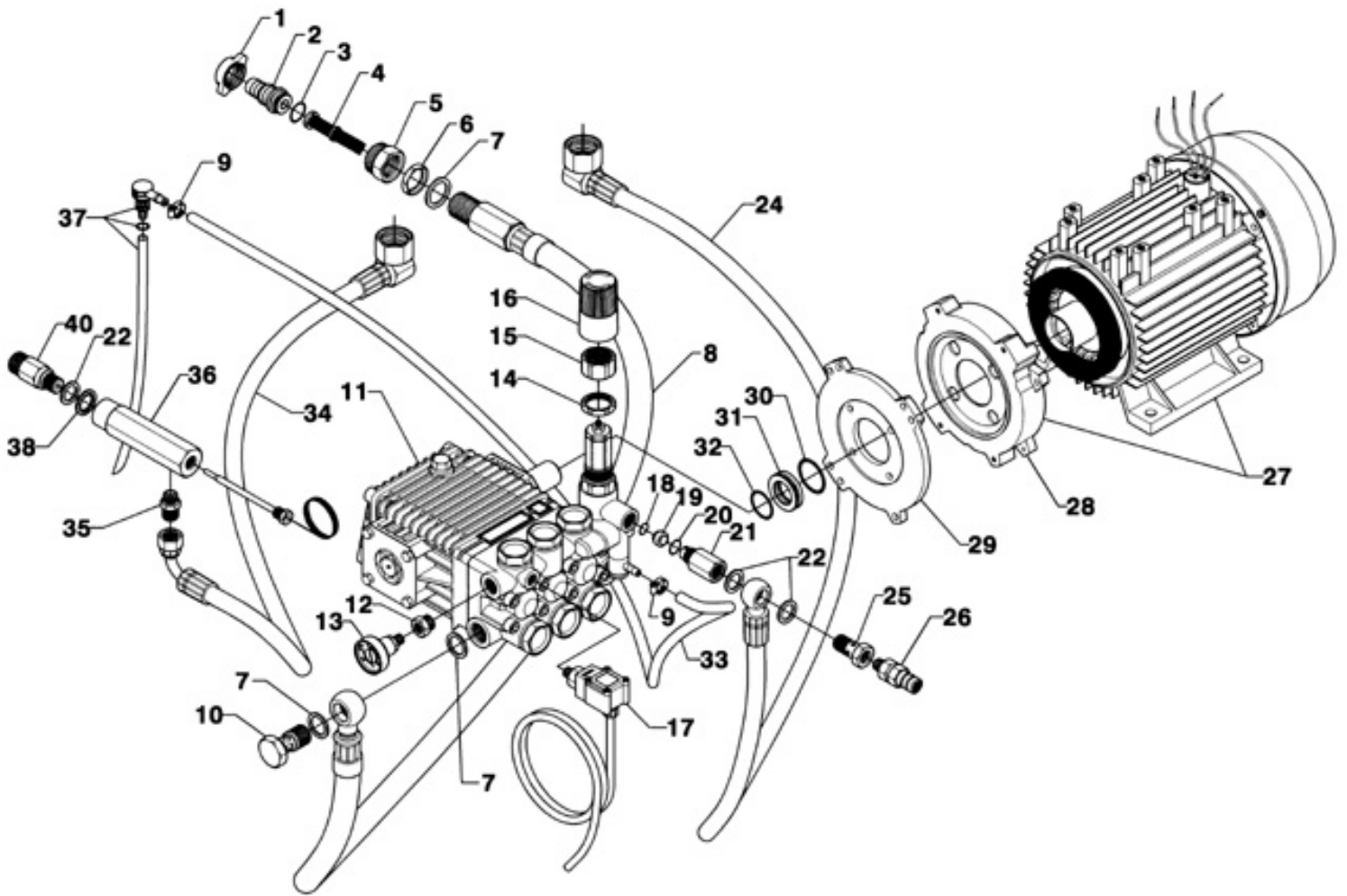
Ref.	K	Part N.	Customer Part N.	Description	Qty	Validity:		Price
						From	To	
0001		LAFN39447		CHASSIS SLV J.	1,00		01/2008	--
0001		LAFN40081		CHASSIS SLV J. CB4-PL.	1,00	01/2008		--
0002		LAFN39505		TROLLEY AXLE SLV J.	2,00	01/2008		--
0003		RTRT24320		WHEEL D.250-D.25 RT-PRT	4,00	01/2008		--
0004		VTRS09813		WASHER D.25	4,00	01/2008		--
0005		MPVR25910		RED WHEEL COVERD. 250 RT/PRT	4,00			--
0006		MPVR29635		BAND SLR PST	1,00			--
0007		MPVR39515		BAND SLV ANT PP	1,00			--
0009		LAFN39740		PIN SLV.M6 M/F L=50	2,00	06/1999		--
0010		MPVR29633		BAND SLR SX	1,00			--
0010		MPVR29634		BAND SLR DX	1,00			--
0011		VTVR28636		PLATE M 6 ZNC.	2,00			--
0012		LAFN39509		SUPPORT SLV J.	1,00	01/2008		--
0013		LAFN22115		SPACER 14X27 D.8 KSM	1,00	01/2008		--
0014		MPVR27897		HANDLE AGN "ELK"	1,00			--
0015		LAFN20105		HOSE SUPPORT KSM	1,00			--
0016		MPVR39518		TANK SLV J.	1,00	01/2008		--
0017		MPVR20418		TANK CAP KSM	2,00			--
0018		MPVR20187		RING NUT M 39 X 3	2,00	01/2008		--
0019		GUGO11489		GASKET D.22X1,5	2,00	01/2008		--
0020		PVVR11806		DISCHARGE CAP FLL	2,00	01/2008		--
0021		MEVR20906		CABLE FASTNER KSM	1,00	01/2008		--
0022		LAFN39449		MOTOR PLATE SLV J.	1,00			--
0024		LAFN20138		CONTROL BOX KSM ABS BK.	1,00	06/1998		--
0025		GUGO27129		JOINT 10X3	1,05	06/1998		--
0026		LAFN20139		BOX COVER KSM M.	1,00	06/1998		--
0027		MPVR20143		CABLE CLAMP COVKSM	1,00	06/1998		--
0028		MPVR10083		TAIL PIECE OKA L=22	1,00	06/1998		--
0029		GUGO23079		V-SEAL RING VA0014 13.5- 15.5	1,00	06/1998		--
0030		MPVR23484		TAIL PIECE THERM.KSM TUV	1,00	06/1998		--
0031		GUGO01035		O-RING D. 13.95 X 2.62 NBR 70SH	1,00	06/1998		--
0032		MPVR20190		GREY KNOB KSM	2,00		11/2007	--
0032		MPVR46511		GREY KNOB KSM C/F.FIS.	2,00	01/2008		--
0034		MPVR39510		RED COVER SLV J. FOR.PPL	1,00			--
0035		TBAP25324		H.P. HOSE R1 MT 10 5/16" C/2 IRV ZC	1,00			--
0036		IPPR40010		GRIP G 5100+P.330 +M22 SW.M V	1,00	04/2014		--
0036		IPPR43065		GRIP G 2200 +PR.330 +M22 M	1,00	04/2000	03/2007	--
0036		IPPR89429		GRIP G 4500 - P.330 -M22SW.M V	1,00	03/2007	04/2014	--
0037		LCPR12982		DOUBLE EXTENS. PD 50	1,00	06/2006	03/2007	--



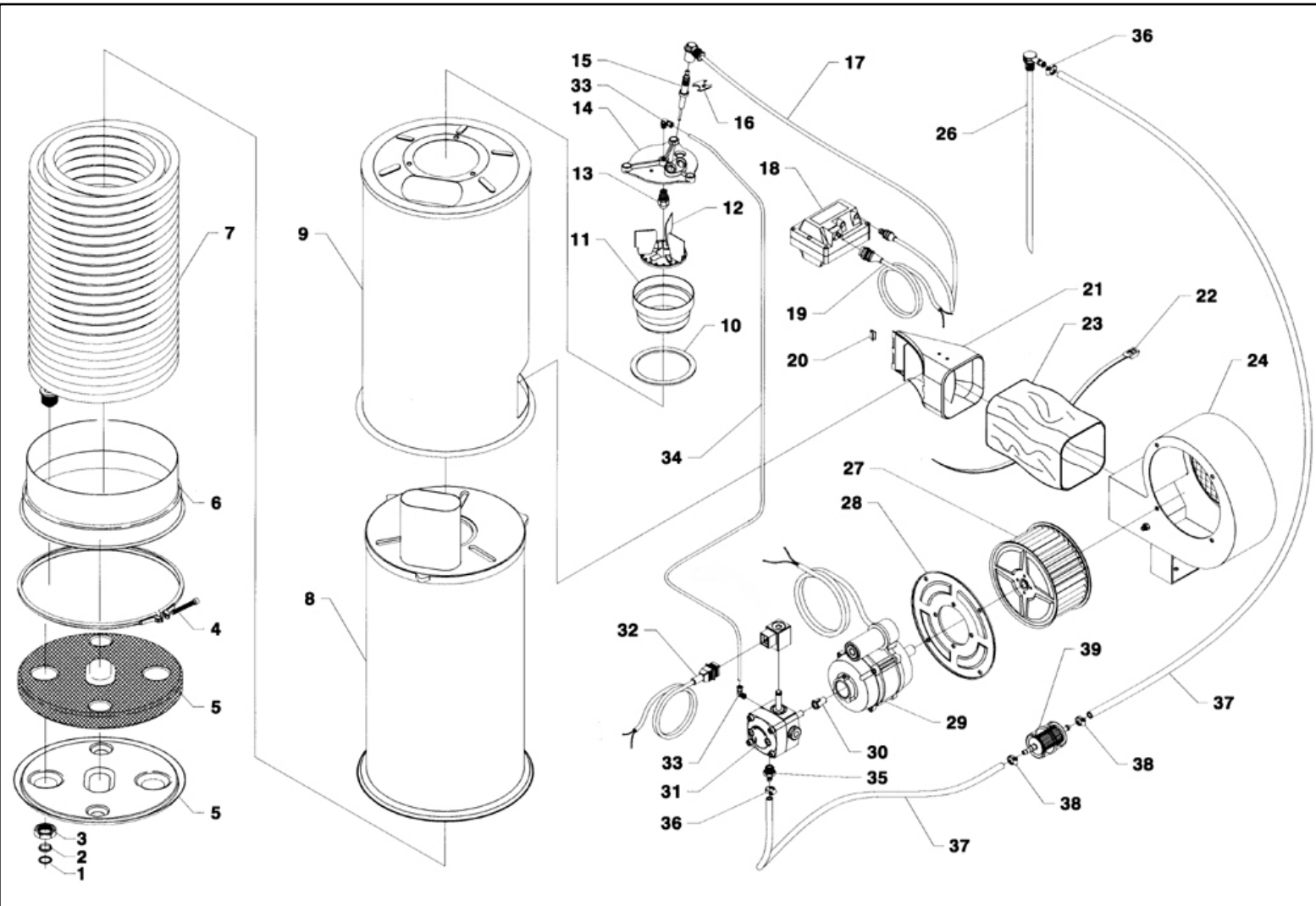
Ref. K	Part N.	Customer Part N.	Description	Qty	Validity:		Price
					From	To	
0037	LCPR12983		DOUBLE EXTENS. PD 70	1,00	03/2007		--
0038	UGLN05174		NOZZLE 1/4 5040 OT	1,00	03/2007		--
0039	UGLN02287		NOZZLE 1/4 2504	1,00		06/2006	--
0039	UGLN49991		NOZZLE LECH 1/4 2504	1,00	03/2007		--
0040	MPVR41903		THICKNESS TERM.IM.PA66	1,00	11/1999		--
0041	MEVR27264		FUSE-HOLDER 031-1081	1,00	06/1998		--
9999	KTRI16996		KIT P 33- 1	1,00	01/2003		--



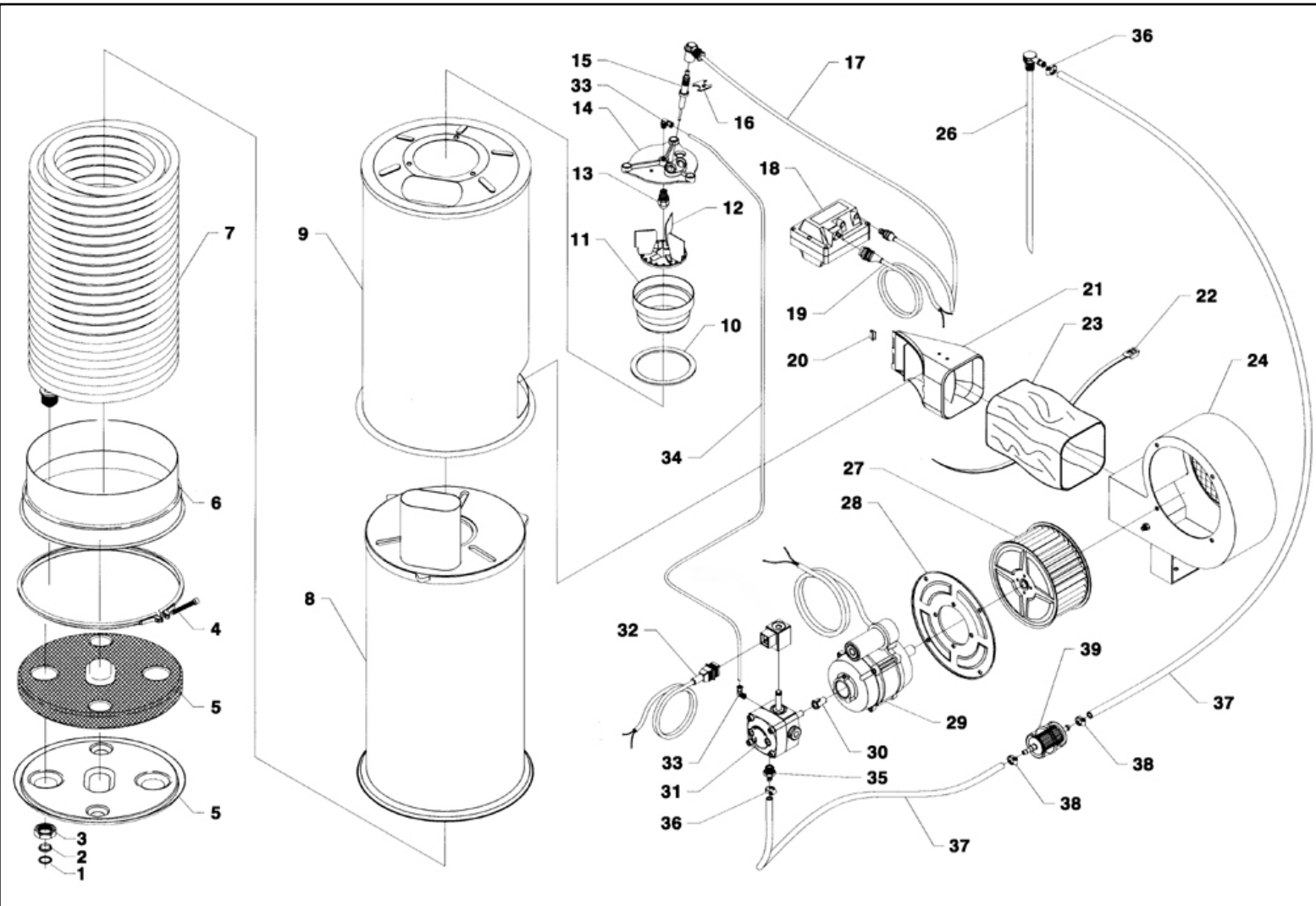
Ref.	K	Part N.	Customer Part N.	Description	Qty	Validity:		Price
						From	To	
0001		RCDS09316		CONNECTION G. 3/4	1,00			--
0002		RCDS08965		HOSE FITTING OTT.	1,00			--
0003		GUGO01054		O-RING D. 15.08 X 2.62 NBR 70SH	1,00			--
0004		FTAC30214		FILTER D.15X67	1,00			--
0005		RCDS28900		SLEEVE 3/4-1/2 M/F MTH	1,00	01/2008		--
0006		RCDS21223		RING NUT 1/2" X 5 NIK	1,00		11/2003	--
0006		RCDS49875		RING NUT 1/2"X 6 CH.27 OT.	1,00	01/2008		--
0007		VTRS00549		WASHER D.21,5X27X1,5 (1/2) RM	1,00	01/2008		--
0008		TBBP39689		L.P. HOSE L=1060 1/2M0° -1/2OC.	1,00	01/2008		--
0009		FSVR11957		CLAMP D. 9.5-12 CLIC	2,00	01/2008		--
0010		RCDS16328		SCREW G 1/2 D.8	1,00	01/2008		--
0011		PPAP39923		PUMP "44" WW186VDX OT.1.9 DS S	1,00			--
0012		RCVR03760		REDUCTION 3/8-1/8 M/F	1,00			--
0013		MNMN37537		PRESSURE GAUGE 0-300 G1/8M "R" D.40	1,00			--
0014		VTDD21787		NUT M28X1.5 L=5	1,00	01/2008		--
0015		RCDS21788		RING NUT M 28 X 1.5 L=16	1,00	01/2008		--
0016		PVVR22163		KNOB L=60 V.INT.	1,00	01/2008		--
0017		MEPF39741		PRESSURE SWITCHMTM 1/8M NA/NC 25B. MICRO	1,00	06/1998		--
0018		GUGO03501		O-RING D. 9.92 X 2.62 VIT 70SH	1,00			--
0019		UGEI29760		NOZZLE D. 1.9 KR OT58	1,00	07/1998		--
0020		GUGO03507		O-RING D. 13.95 X 2.62 VIT 70SH	1,00			--
0021		RCDS19348		CONNECTOR 3/8M-F D.3 L=45	1,00			--
0022		VTRS00548		WASHER D.17,5X23X1,5 (3/8)RM	1,00	01/2008		--
0024		TBAP39688		HOSE-FITTING 3/ 8 R2 L=680 3/8OC -PM26	1,00	01/2008		--
0025		RCDS07931		SCREW G 3/8 + 1/4F A.P.	1,00	01/2008		--
0026		VVSC39719		VALVE MG 2000 G1/4M 150B MIGNON	1,00		12/2004	--
0026		VVSC47427		VALVE MG 1000 G1/4M-M D.8 250B	1,00	01/2008		--
0027		MOTR38907		3PH MOTOR SLV HP5.5 400-50 2P IP SG	1,00		05/2005	--
0027		MOTR88934		3PH MOTOR SLV HP5.5 400-50 2P IP ED	1,00	05/2005		--
0028		MFVR30575		FLANGE MOTOR H90 SGA 2P	1,00			--
0029		MFVR12682		COUNTERFLANGE MEC 90 SGA	1,00			--
0030		GUGO21339		O-RING D. 29.82 X 2.62 VIT 70SH	1,00			--
0031		RCDS25578		BUSHING IP WW141 OT.	1,00			--
0032		GUGO21337		O-RING D. 25.07 X 2.62 VIT 70SH	1,00			--
0033		TBBP04917		L.P. HOSE D. 6- 9	1,00	01/2008	04/2012	--
0033		TBBP93804		L.P. HOSE D. 6- 9	1,00	05/2012		--
0034		TBAP20184		HOSE-FITTING 3/ 8 R2 L=320 3/8F90-PM26	1,00	01/2008		--
0035		RCDS20186		NIPPLE 3/8 - 14X1.5 SV	1,00			--
0036		RCDS19322		BLOC BODY 3/8F-M14	1,00			--



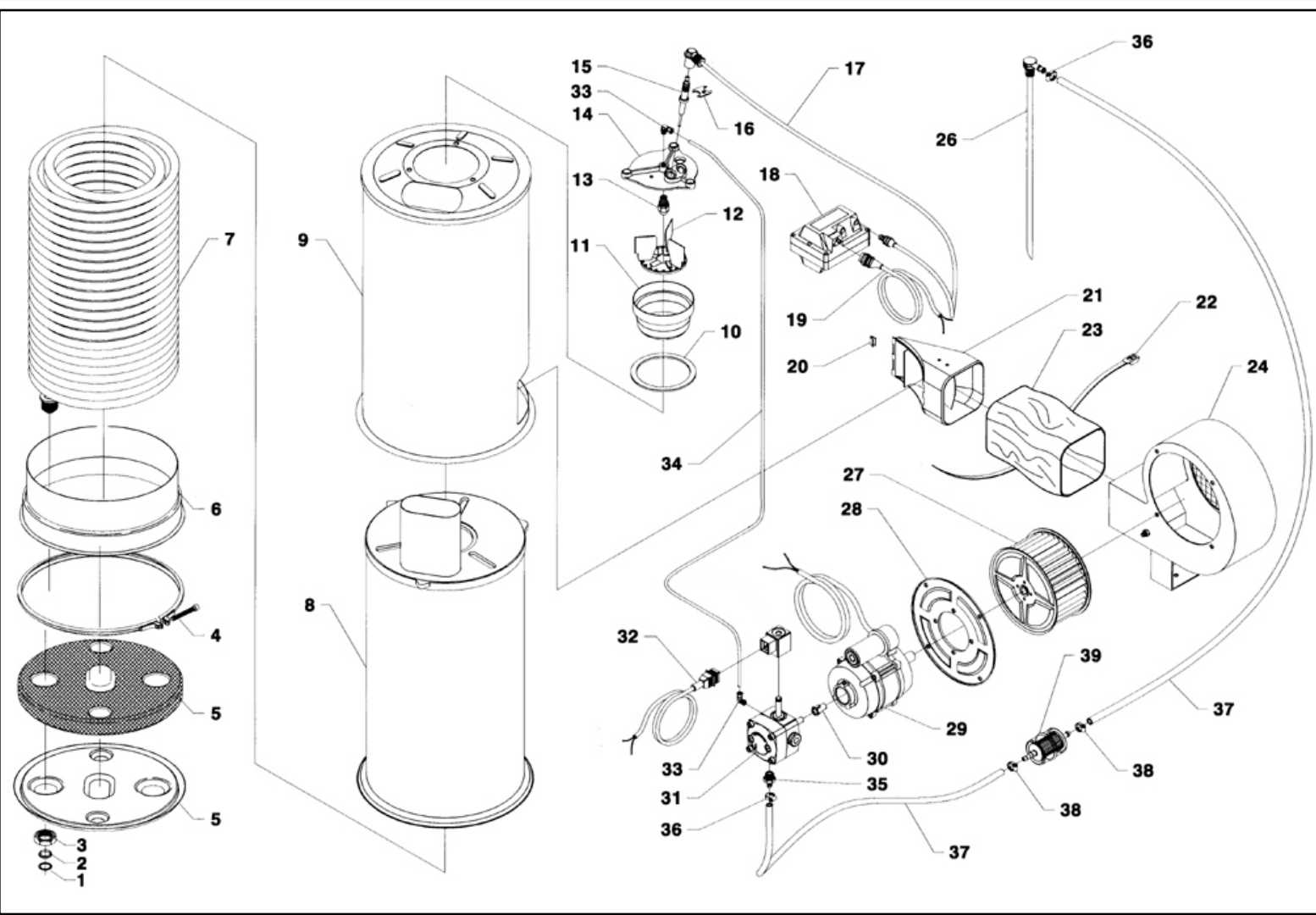
Ref. K	Part N.	Customer Part N.	Description	Qty	Validity:		Price
					From	To	
0037	RCDS20136		SUCTION L= 355 C.	1,00	01/2008		--
0038	VTRS22537		WASHER D. 16	1,00	01/2008		--
0040	RCDS13012		NIPPLE M22-3/8 D. 7.5	1,00	01/2008		--



Ref.	K	Part N.	Customer Part N.	Description	Qty	Validity:		Price
						From	To	
0001	S	GUGO21222		O-RING D. 15.54 X 2.62 VIT 80SH	2,00	01/2008	--	--
0002	S	GUVR21021		ANTI-EXTR.RING D. 21 X17 TEF.	2,00	01/2008	--	--
0003	S	RCDS21120		RING NUT M 26 X 1,5	2,00	01/2008	--	--
0004		LAFN20108		RING D.298 KSM	1,00		--	--
0005		ITTE48373		BOTTOM KSM C.TE	1,00	04/2003	--	--
0005		LAFN20109		BOILER BOTTOM KSM D.280	1,00		04/2003	--
0005		LAFN48448		BOILER BOTTOM KSM 2V. ZN	1,00	04/2003	--	--
0006		GUVR21756		FIB.GLASS CORD D. 12 GR/M 25	0,85		04/2003	--
0006		LAFN48368		BAND KSM 2V. INX	1,00	04/2003	--	--
0006		GUGO00409		JOINT 15X3	0,80	01/2008	--	--
0007		LAFN39544		DOUBLE COIL M26X1.5 SLV 30M	1,00		--	--
0008		LAFN39537		INT. CYLINDER SLV INX	1,00		--	--
0009		LAFN39540		EXT. CYLINDER SLV INX	1,00		--	--
0010		GUVR25775		GASKET D. 105/88 X 3	1,00	01/2008	--	--
0011		LAFN29774		NOSEPIECE SLR	1,00	01/2008	--	--
0012		LAFN30294		BAFFLE KSM/AGN	1,00	01/2008	--	--
0013		UGBR18632		BURNER NOZZLE 0.85 45° W	1,00	02/1999	--	--
0014		MFVR19964		ELECTR.HOLDER KSM	1,00		01/2005	--
0014		MFVR88612		ELECTR.HOLDER KSM 1/8CN.	1,00	01/2005	--	--
0015	S	MECA18232		ELECTRODE L=101.5 KSM	2,00		--	--
0016	S	LAFN20123		PLATE KSM INX	1,00		--	--
0017		MECV35336		CABLE A.T. 9.8-23KOHM/M L= 750P	2,00	07/1999	--	--
0018		METR34464		TRANSFORMER 230V-50HZ 2X4000V SP4 CM	1,00	06/1998	--	--
0019		MECB34463		CABLE BT L=800 SP.	1,00	06/1998	--	--
0020		MPVR21415		CLIP KSM	2,00	01/2008	--	--
0021		MPVR40014		CONVEYOR CB4-FBX PA6	1,00	01/2008	--	--
0022		FSVR09455		CLAMP LG 31921 9 X760	2,00		--	--
0023		GUVR37987		SLEEVE SLR H=225	1,00		01/2008	--
0023		GUVR40009		SLEEVE SLV H=130	1,00	01/2008	--	--
0024		LAFN33966		SCROLL CB3 -MST	1,00		01/2008	--
0024		LAFN40080		BRACKET SLV. CB4-PL.	1,00	01/2008	--	--
0024		MPVR40010		SCROLL CB4 -2PZ.CP	1,00	01/2008	--	--
0027		VEVR34274		IMPELLER D.137-80 D.12.7 32P B.SX	1,00		01/2008	--
0027		VEVR34275		IMPELLER D.160-80 D.12.7 36P B.SX	1,00	01/2008	--	--
0028		LAFN10272		MOTOR PLATE CB 3	1,00	01/2008	--	--
0029		MOMB28929		BURNER MOTOR 230-50 IP44 110W A.OR	1,00	01/2008	--	--
0030		KTRI36516		KIT P 18- 9	1,00		--	--
0031		FTCO88927		FUEL FILTER S.AL	1,00	03/2005	--	--
0031		PPGS18242		FUEL PUMP DLT VM1LL15	1,00		02/2005	--

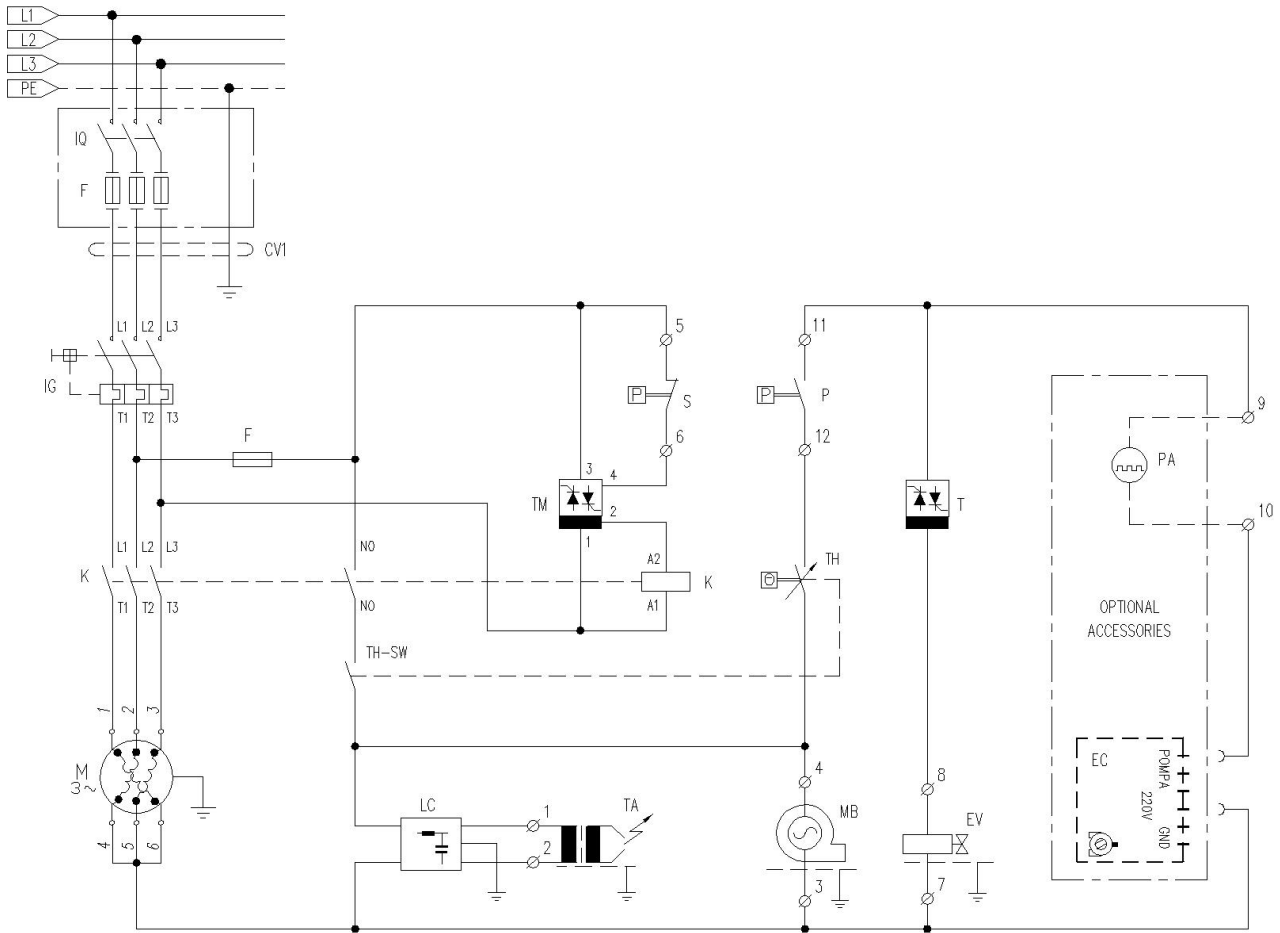


Ref.	K	Part N.	Customer Part N.	Description	Qty	Validity:		Price
						From	To	
0031		PPGS40010		FUEL PUMP DNF BFA 01L3R1	1,00	04/2010		--
0031		PPGS88084		FUEL PUMP DLT ALLUM. A1L1	1,00	01/2008	03/2010	--
0032		MECB18118		CABLE DLT L=1.600	1,00	06/1998		--
0033		RCVR08954		ELBOW 1/8"-4 B5	1,00	03/2015		--
0033		RCVR08954		ELBOW 1/8"-4 B5	1,00		06/2013	--
0033		RCVR14014		BI-CONE CONNEC.DTT 1/8"M B1 D. 2/ 4 NIK	1,00	07/2013	10/2013	--
0033		RCVR40126		BI-CONE CONNEC.T 1/8"M/F D. 4/ 6C NK.	1,00	11/2013	02/2015	--
0033		RCVR72867		CONNECTOR "A" T" 1/8" FFM	1,00	07/2013	10/2013	--
0033		RCVR89230		CAP G 1/8 M C/O-RING.	1,00	07/2013	02/2015	--
0034		TBCO39687		DIESEL HOSE D. 4 SLV 30M	1,00	01/2008		--
0035		RCDS00626		HOSE FITTING 1/4 M D. 5- 7	1,00	01/2008		--
0036		FSVR00427		CLAMP D. 12 CLIC 66-110	2,00	01/2008		--
0037		TBCO6945		L.P. HOSE D. 6-12 10BAR C.PRESS	0,60			--
0038	S	FSVR11197		CLAMP D.I. 11 13315	2,00			--
0039	S	FTCO10912		FILTER FB 13/TA NYL.	1,00			--

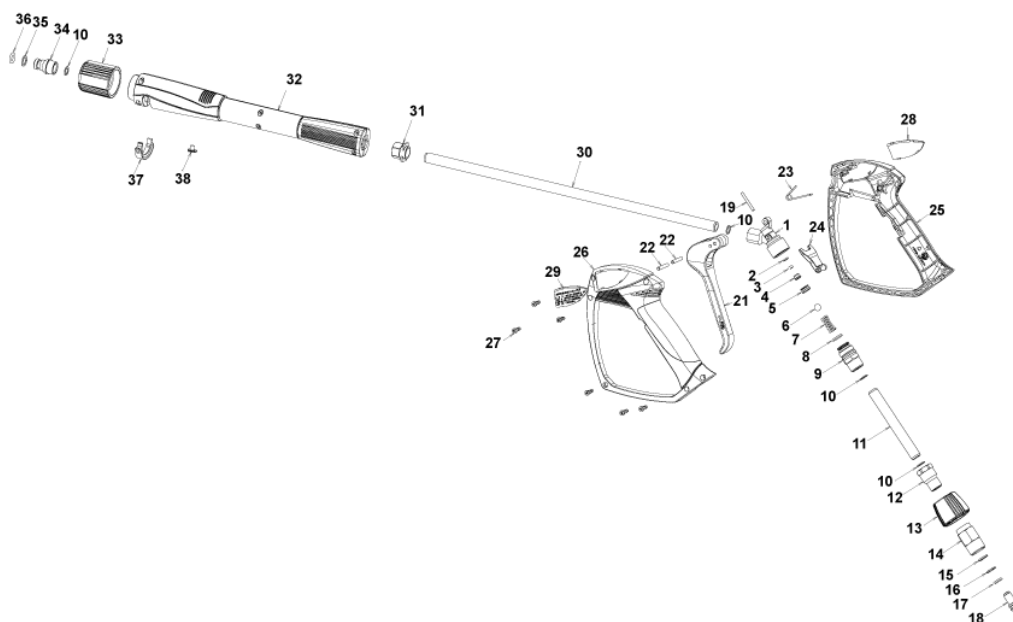


Ref. Part N.	Cust. Part N.	Description	Reference	Price
KTRI22585	KIT P	25- 1	0001 0002 0003	--
KTRI22586	KIT P	19- 5	0015 0016	--
KTRI23196	KIT P	22- 4	0038 0039	--

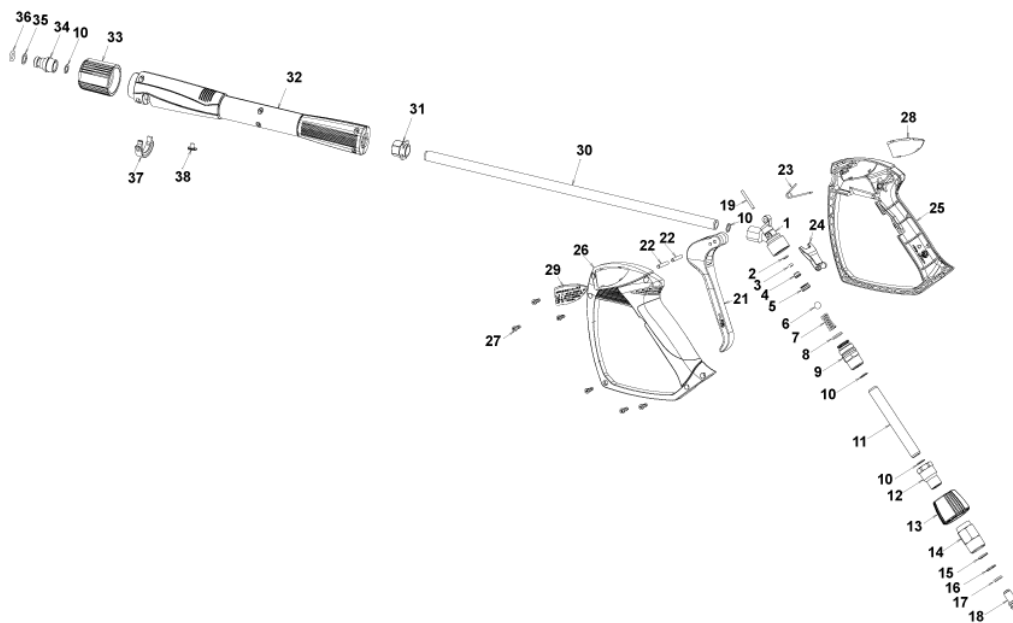




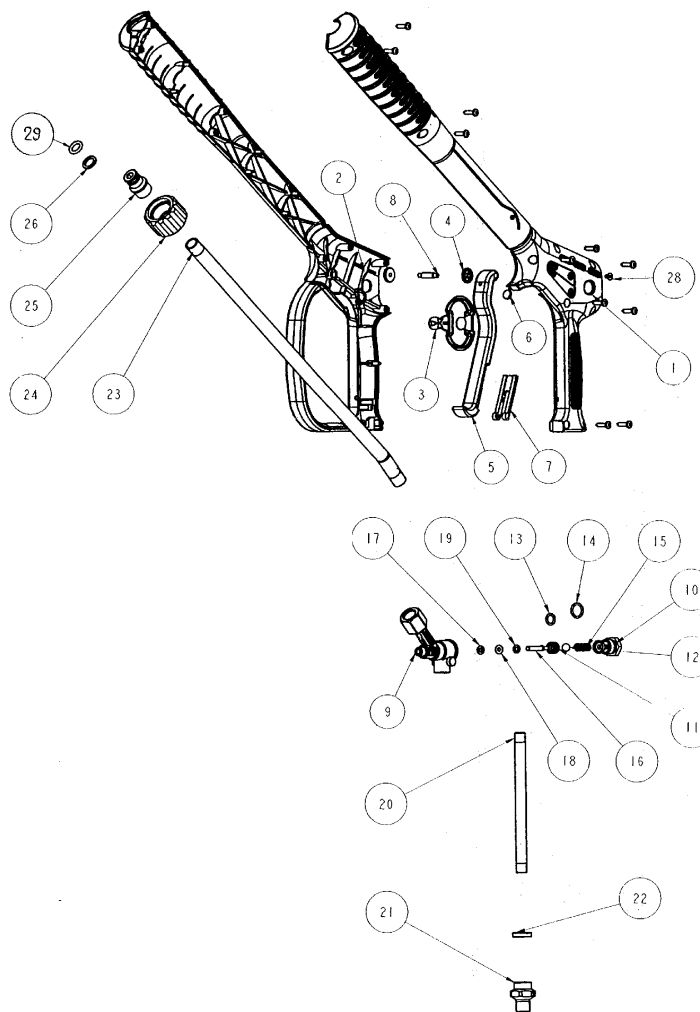
Ref.	K	Part N.	Customer Part N.	Description	Qty	Validity:		Price
						From	To	
F		MEVR00237		FUSE 5X20 3,15A	1,00	06/1998		--
K		METT36444		CONTACTOR MICRO MC1 A 400A TU 400V	1,00	06/1998	11/2001	--
K		METT40013		CONTACTOR SIE 3RT 2017-1AV01 400V	1,00	10/2014		--
K		METT40664		CONTACTOR SIE 3RT 1017 1AV01 400V	1,00	11/2001	10/2014	--
M		MOTR38907		3PH MOTOR SLV HP5.5 400-50 2P IP SG	1,00			--
P		MEPF39741		PRESSURE SWITCHMTM 1/8M NA/NC 25B. MICRO	1,00			--
S		MEPF39924		PRESSURE SWITCHSLV N.A. 16(6)A XGA 2	1,00	03/2003		--
T		METY06856		TIMER SAS S10 230V 3SEC CID	1,00	06/1998		--
EV		MEBE18120		COIL DLT 220-50 S/CV.	1,00			--
EV		MEBE18120		COIL DLT 220-50 S/CV.	1,00	06/1998	02/2005	--
EV		MEBE43705		COIL DNF 220-50	1,00	04/2010		--
EV		MEBE49881		COIL DLT 220-50 NF84	1,00	03/2005	03/2010	--
IG		MECI08294		SWITCH O.K.N. 10-16 A	1,00	06/1998		--
LC		MECE34831		FILTER LC F.AH.DA.3100ZF 6.5A	1,00	06/1998		--
MB		MOMB28929		BURNER MOTOR 230-50 IP44 110W A.OR	1,00			--
TA		METR34464		TRANSFORMER 230V-50HZ 2X4000V SP4 CM	1,00			--
TH		METK33752		THERMOSTAT 30-150°C TR/711-N+ BS75	1,00	06/1998		--
TM		METY37439		TIMER THV/1S 380-415V 30S.5/60	1,00	06/1998		--
CV1		MECB19582		CABLE H07 RNF 4X1.5 L=6.500	1,00	06/1998		--



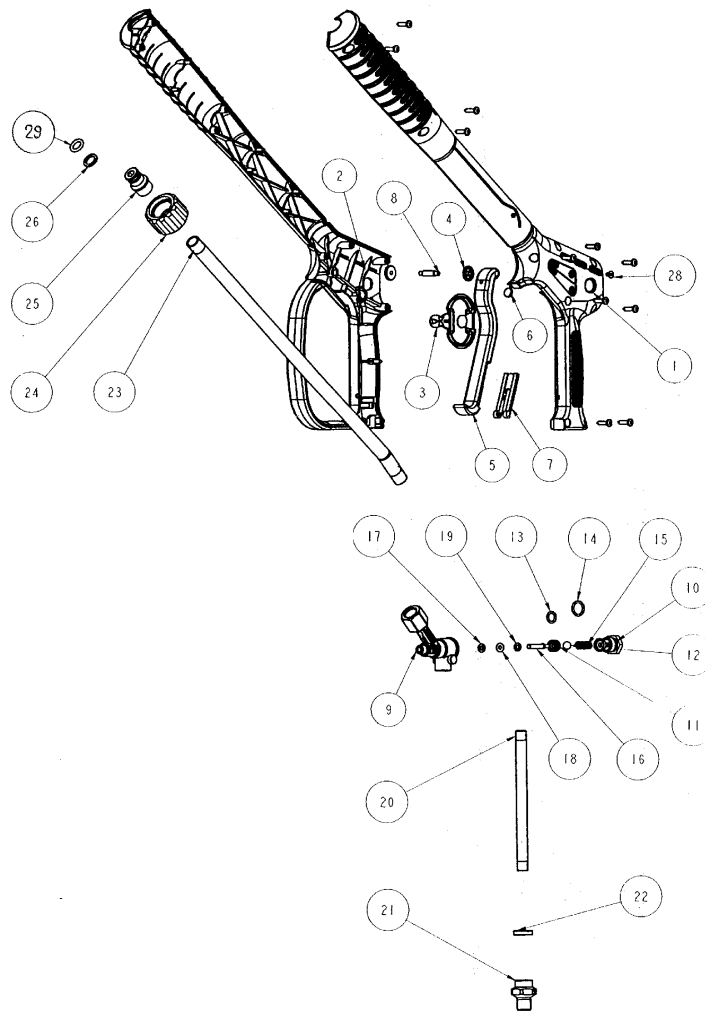
Ref.	K	Part N.	Customer Part N.	Description	Qty	Validity:		Price
						From	To	
0001		PVVR40381		GUN BODY G 5100 G1/4F	1,00			--
0002	S	GUVR40074		ANTI-EXTR.RING D. 3 X 7.4X1.3	1,00			--
0003	S	GUGO21835		O-RING D. 2.84 X 2.62 VIT. 80SH	1,00			--
0004		PVVR40382		PISTON GUIDE G 5100	1,00			--
0005	S	PVVR40112		BALL SEAT G 5000	1,00			--
0006	S	SFVR27026		BALL D.11/32" INX	1,00			--
0007		MLML40016		SPRING D. 9.4 x21.5x1.6 G5000	1,00			--
0008		GUGO12322		O-RING D. 14 X 1.78 NBR 90SH	1,00			--
0009		PVVR40383		CONNECTOR COLL.G5100 1/4F	1,00			--
0010		VTRS40017		WASHER D. 8,2X11,4X1,00 AL	4,00			--
0011		PVVR40384		TUBE G 1/4" L.105	1,00			--
0012		RCIN40022		CONNECTOR SWIV G5100 1/4F	1,00			--
0013		MPVR40486		RING NUT G 5100 SW. GR.	1,00			--
0014		RCIN40021		JOINT SWIV 5100 M22	1,00			--
0015	S	GUVR40075		ANTI-EXTR.RING D. 10 X14X1.5	1,00			--
0016	S	GUVR40076		ANTI-EXTR.RING D. 11.2X14X1.2	1,00			--
0017	S	GUGO15295		O-RING D. 10.82 X 1.78 VIT 80SH	1,00			--
0018		PVVR40386		SCREW SW. G 5100	1,00			--
0019		PVVR40387		SMALL PISTON G 5100	1,00			--
0021		MPVR40487		TRIGGER G 5100-SW	1,00			--
0022		VTVR40047		PLUG D. 4X29	2,00			--
0023		MLML40029		SPRING G 5100	1,00			--
0024		MPVR40488		SAFETY-DEVICE G 5100-SW	1,00			--
0025		MPVR40489		SHELL G 5100-SW DX	1,00			--
0026		MPVR40490		SHELL G 5100-SW SX	1,00			--
0027		VTVT40043		SCREW AF 4X 14 HILO ZN.N	6,00			--
0028		MPVR40491		PLATE G 5100 GR.DX	1,00			--
0029		MPVR40492		PLATE G 5100 GR.SX	1,00			--
0030		LCPR40086		TUBE 1/4 L=420 ZC. 0°	1,00			--
0031		MPVR40493		CONNECTOR G 5100-SW	1,00			--
0032		MPVR40494		PROTECTION P 420 C/AN.	1,00			--
0033		PVVR40119		CONNECTION M22X1,5 IRV G5000	1,00			--
0034		RCIN40009		GUDGEON G 1/4 F IRV G5000	1,00			--
0035		GUVR40034		ANTI-EXTR.RING D. 10 X14	1,00			--
0036		GUGO01946		O-RING D. 9.13 X 2.62 VIT 70SH	1,00			--
0037		MPVR40495		CAP G 5100 REM.	1,00			--
0038		MPVR40198		CAP G 5000	1,00			--



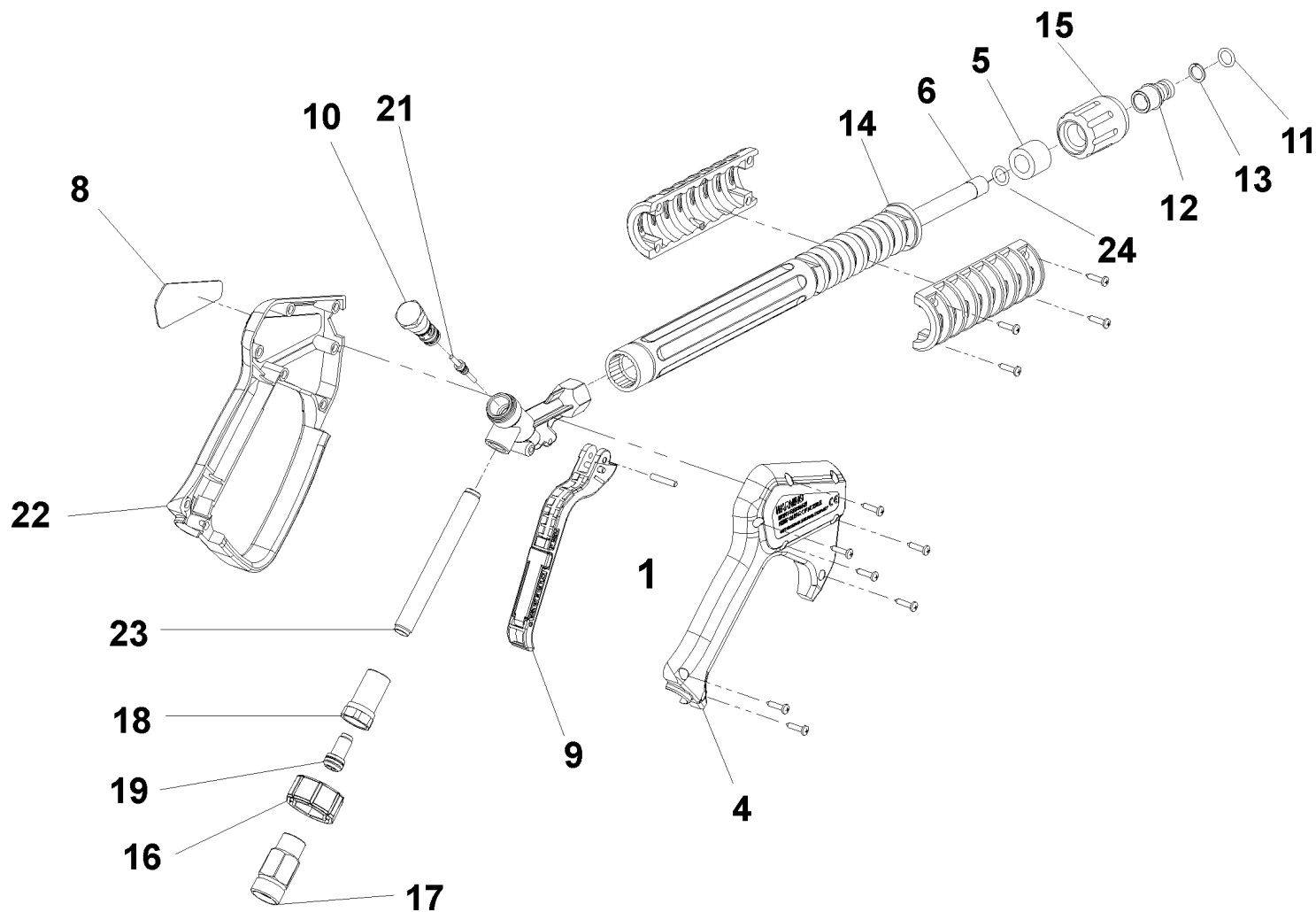
Ref. Part N.	Cust. Part N.	Description	Reference	Price
KTRI40242		KIT P 26- 25 G 5100	0002 0003 0005 0006	--
KTRI40243		KIT P 26- 25 SWIVEL G 5100	0015 0016 0017	--



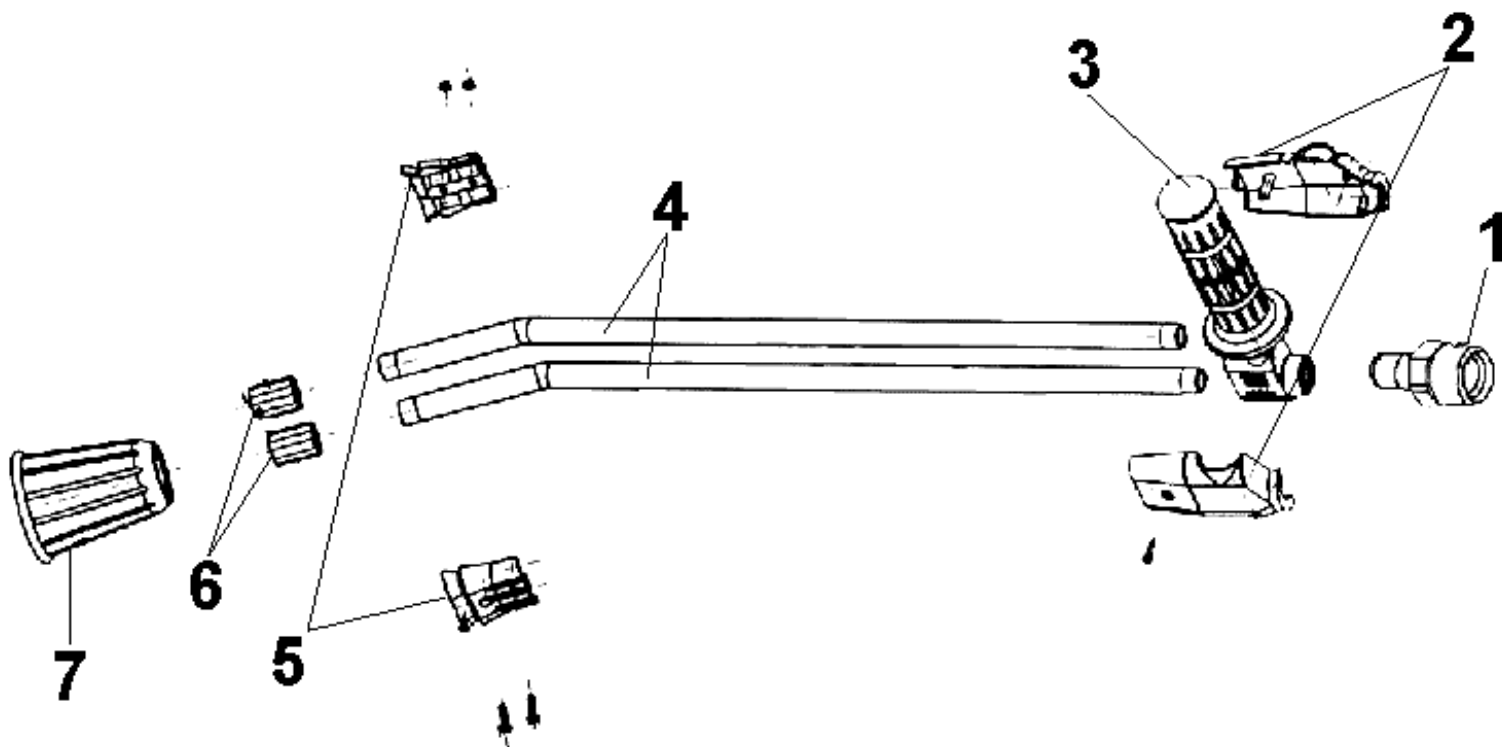
Ref.	K	Part N.	Customer Part N.	Description	Qty	Validity:		Price
						From	To	
0001		MPVR43269		HALF BEARING G2200 SX PRT	1,00			--
0002		MPVR43268		HALF BEARING G2200 DX PRT	1,00			--
0003		MPVR43270		CAP G2200	1,00			--
0004		VTRS41562		WASHER AURA 200	2,00			--
0005		MPVR41568		TRIGGER AURA 200	1,00			--
0006		PVVR41567		PAWL AURA 200 INX	1,00			--
0007		MPVR41569		SAFETY-DEVICE AURA 200	1,00			--
0008		VTVR41566		PLUG AURA 200	1,00			--
0009		PVVR41559		GUN BODY AURA G1/4 L.18	1,00			--
0010	E	PVVR43275		CAP M14X1 AURA 200 2.V	1,00			--
0011	E	PVVR43274		BALL SEAT AURA 200 2.V	1,00			--
0012	E	SFVR12904		BALL D. 9/32 W1 INX	1,00			--
0013	E	GUGO63426		O-RING D. 7.66 X 1.78 NBR 90SH	1,00			--
0014	E	GUGO19194		O-RING D. 11.11 X 1.78 NBR 70SH	1,00			--
0015	E	MLML41571		SPRING D. 7 X21 D.1.2	1,00			--
0016	S	PVVR43264		SMALL PISTON AURA 200 INX L=30 2V.	1,00			--
0017	S	GUVR41557		ANTI-EXTR.RING D. 4 X 7.8X1.2	1,00			--
0018	S	GUGO01201		O-RING D. 3.6 X 2.4 -NBR 70SH	1,00			--
0019	S	VTRS43265		WASHER OT AURA	1,00			--
0020		PVVR43272		TUBE G 1/8" M/M L.133	1,00			--
0021		RCIN41561		MALE COUPLING M 22 -1/8F	1,00			--
0022		MPVR43271		WASHER 1/8" G2200	1,00			--
0023		LCPR43273		TUBE 1/4 L=384 0° 1/4 M-M INX	1,00			--
0024		PVVR43276		CONNECTION M22X1,5 IRV	1,00			--
0025		RCIN43267		GUDGEON G 1/4 F IRV	1,00			--
0026		GUVR43266		ANTI-EXTR.RING SR 110	1,00			--
0028		PVVR42233		CAP D. 3 PLS YLW.	1,00			--
0029		GUGO28927		O-RING D. 9.13 X 2.62 NBR 70SH	1,00			--



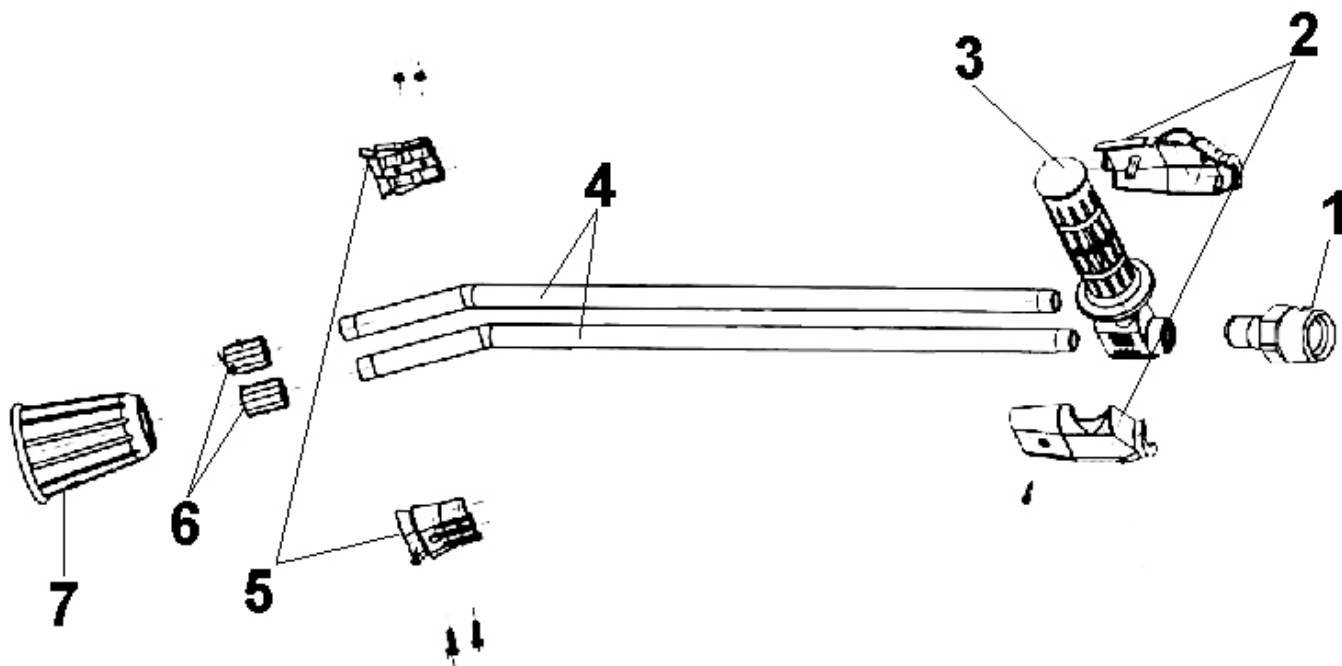
Ref. Part N.	Cust. Part N.	Description	Reference	Price
KTRI40835	KIT P	26- 15 AURA 200	0011 0012 0013 0014 0015 0016 0017 0018 0019	--
KTRI47792	KIT P	26- 20 AURA 200	0010 0011 0012 0013 0014 0015	--



Ref. K	Part N.	Customer Part N.	Description	Qty	Validity:		Price
					From	To	
0001	VTVR46568		PLUG G 4500	1,00			--
0004	MPVR40157		COVER G 4500 2V.	1,00	05/2008		--
0004	MPVR46563		COVER G 4500	1,00		04/2008	--
0005	MPVR46572		SPACER P 330 ST	1,00			--
0006	LCPR40007		TUBE 1/4 L=352 ZC. 2V.	1,00	05/2008		--
0006	LCPR46571		TUBE 1/4 L=352 ZC.	1,00		04/2008	--
0008	MPVR46569		PLATE G 4500 RD.	1,00			--
0009	MPVR40057		TRIGGER G 4500 -SW	1,00			--
0010	PVVR40030		SMALL PISTON TM ST-2300	1,00			--
0011	GUGO10384		O-RING D. 10 X 2.2 VIT 80SH	1,00			--
0012	RCVR13030		GUDGEON G 1/4 F L=31.5	1,00			--
0013	GUVR10526		ANTI-EXTR.RING D.13.9X10.2 C.BZ	1,00			--
0014	MPVR46570		PROTECTION P 330 ST	1,00			--
0015	PVVR13445		CONNECTION M 22X1.5 L=45	1,00			--
0016	MPVR40058		RING NUT G4500 SW.	1,00			--
0017	RCIN40001		JOINT SWIV 4500 3/8"F	1,00		04/2008	--
0017	RCIN40005		JOINT SWIV 4500 3/8"F 2V.	1,00	05/2008		--
0018	RCIN31641		CONNECTOR SWIV 1500 F	1,00			--
0019	KTRI31645		KIT P 26- 14	1,00			--
0021	PVVR40031		ROD ST-2300	1,00			--
0022	MPVR40156		SHELL G 4500 2V.	1,00	05/2008		--
0022	MPVR46562		SHELL G 4500	1,00		04/2008	--
0023	PVVR40023		TUBE G 1/4" M/M P/SW.	1,00			--
0024	GUGO27021		O-RING D. 11 X 2.5 EPD 70SH	1,00	05/2008		--

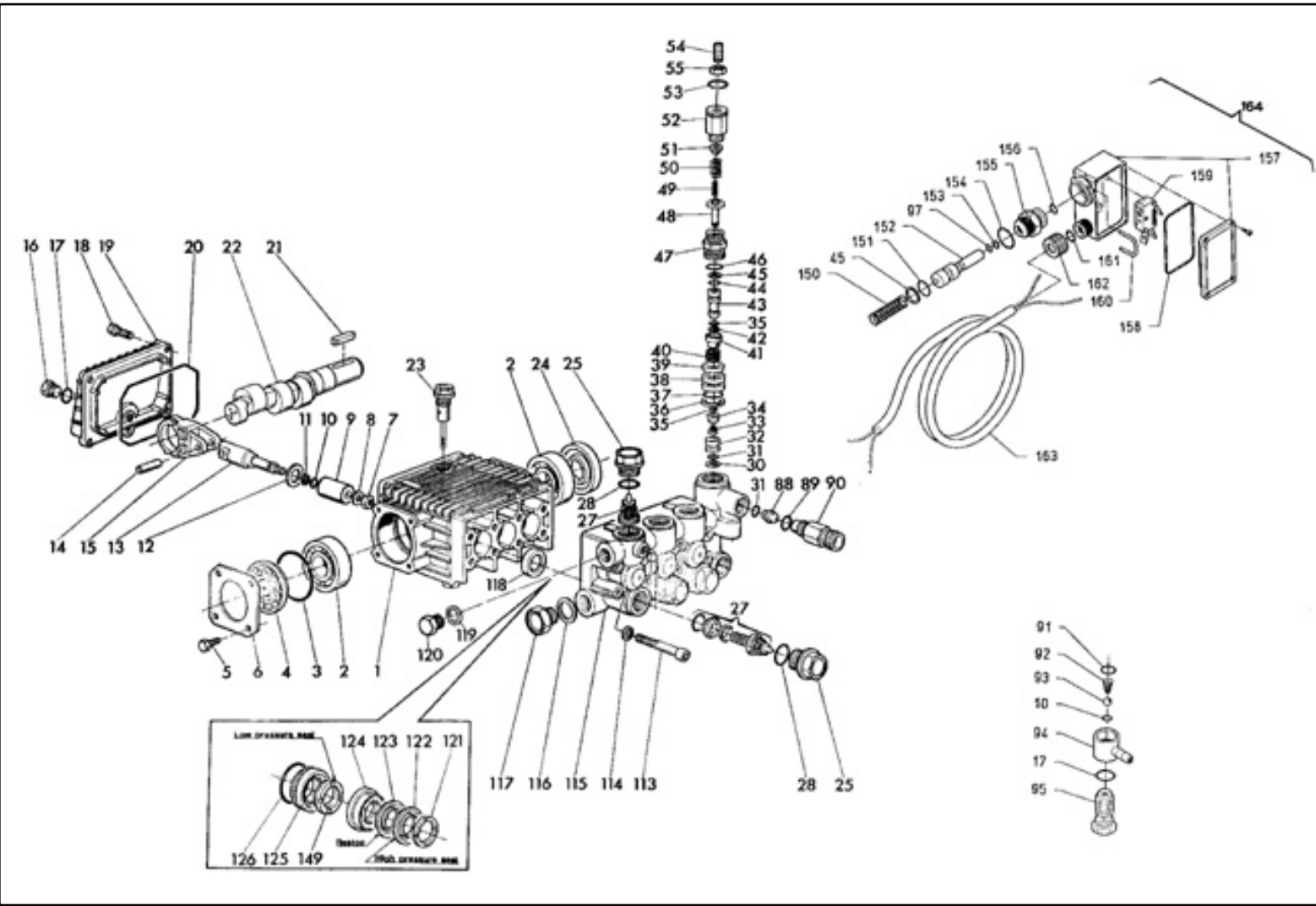


Ref. K	Part N.	Customer Part N.	Description	Qty	Validity:		Price
					From	To	
0001	PVVR45296		COUPLING G 1/4M -M22 M +PR.PLS	1,00			--
0002	MPVR45214		PROTECTION TB.1/4 MTM	1,00			--
0003	RCGR45737		TAP 1/8 F LD MTM	1,00			--
0004	LCPR45738		TUBE 1/8 L=500 INOX MTM	2,00			--
0005	MPVR45001		SHELL LD MTM	1,00			--
0006	RCVR45741		NOZZLE HOLDER 1/4-1/8 F MTM	2,00			--
0007	PVVR43810		PROTECTION L.D. MTM	1,00			--

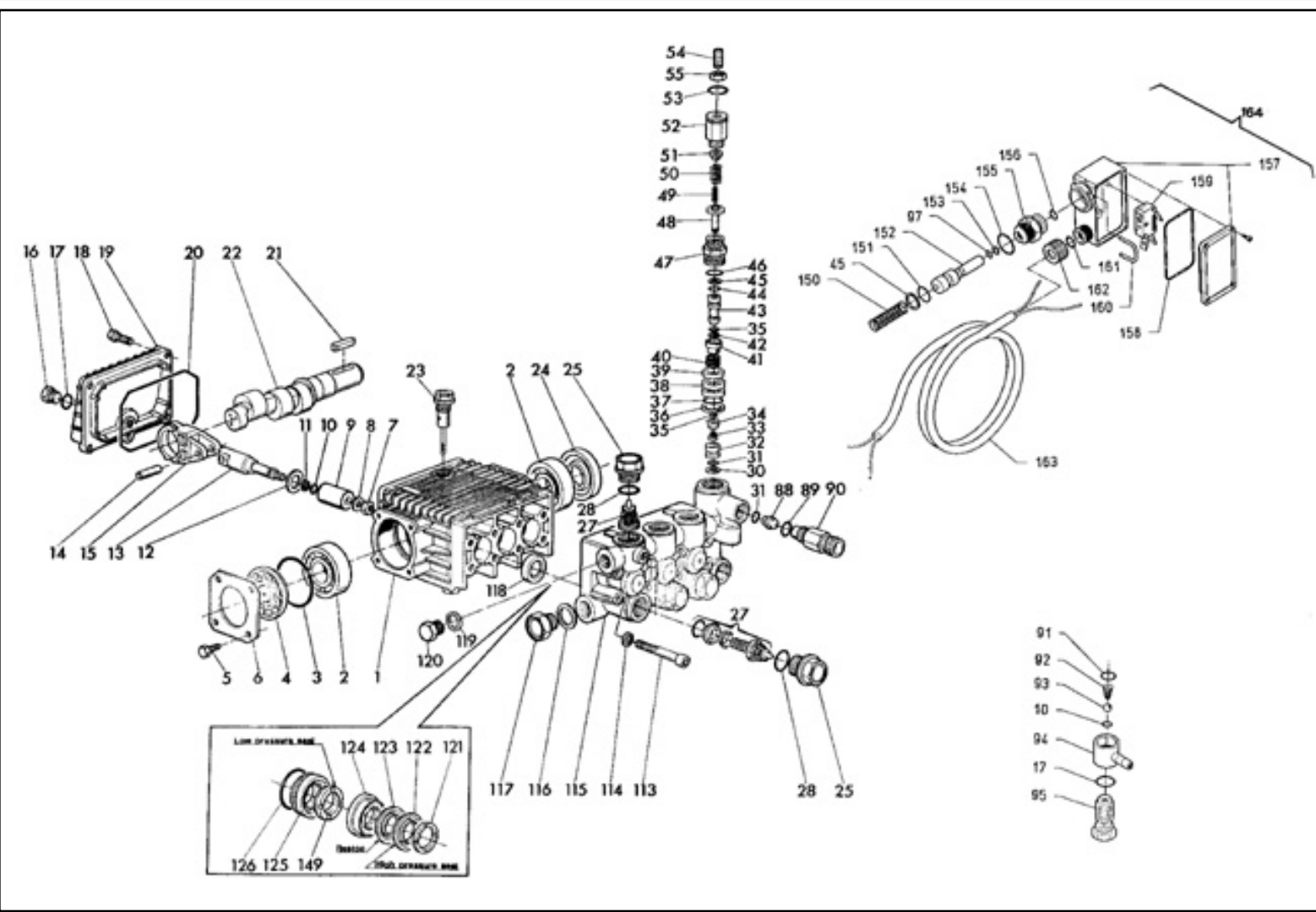


Ref. K	Part N.	Customer Part N.	Description	Qty	Validity:		Price
					From	To	
0001	PVVR45296		COUPLING G 1/4M -M22 M +PR.PLS	1,00			--
0002	MPVR45214		PROTECTION TB.1/4 MTM	1,00			--
0003	RCGR45737		TAP 1/8 F LD MTM	1,00			--
0004	LCPR45740		TUBE 1/8 L=660 INOX MTM	2,00			--
0005	MPVR45001		SHELL LD MTM	1,00			--
0006	RCVR45741		NOZZLE HOLDER 1/4-1/8 F MTM	2,00			--
0007	PVVR43810		PROTECTION L.D. MTM	1,00			--

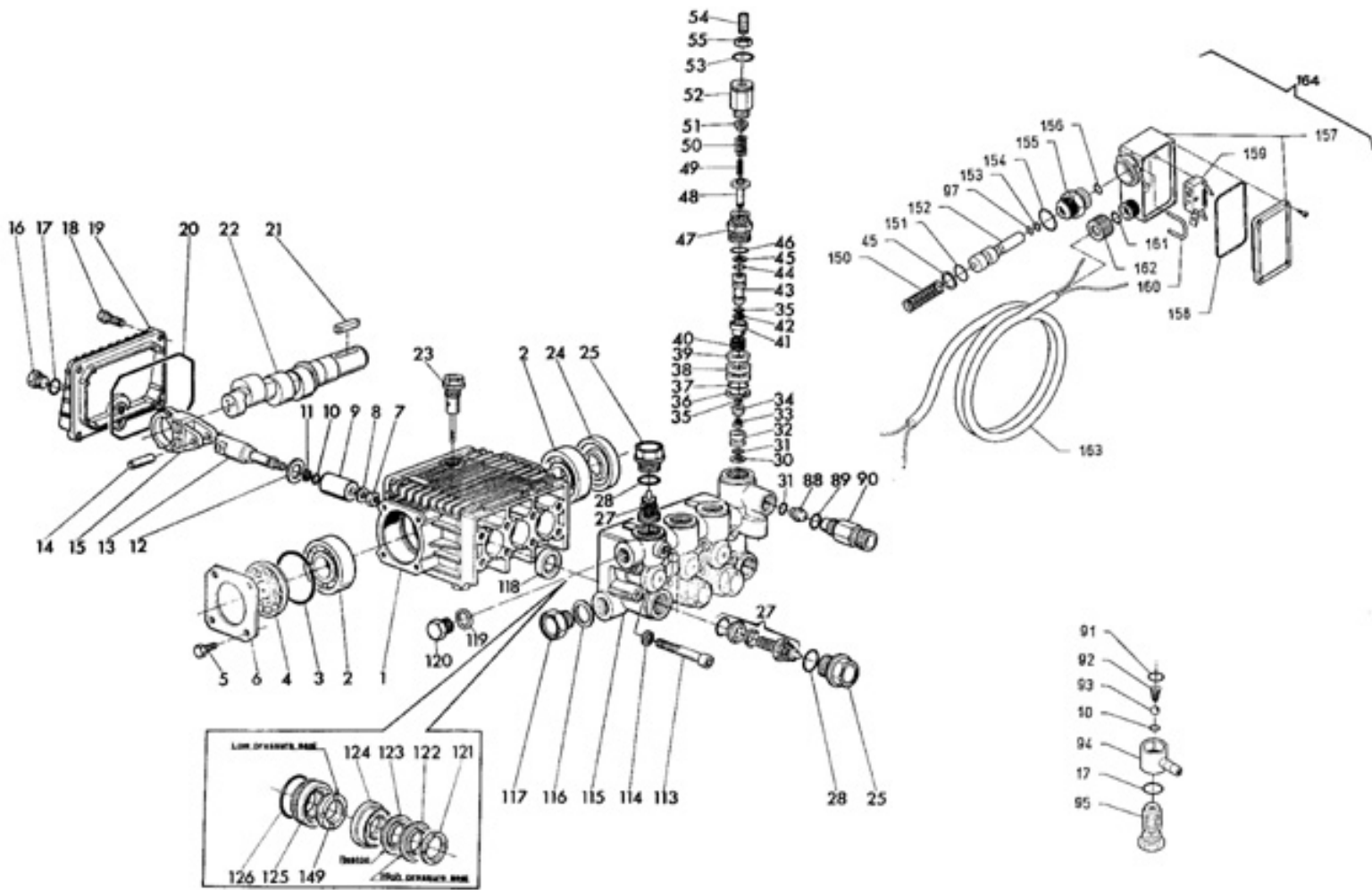




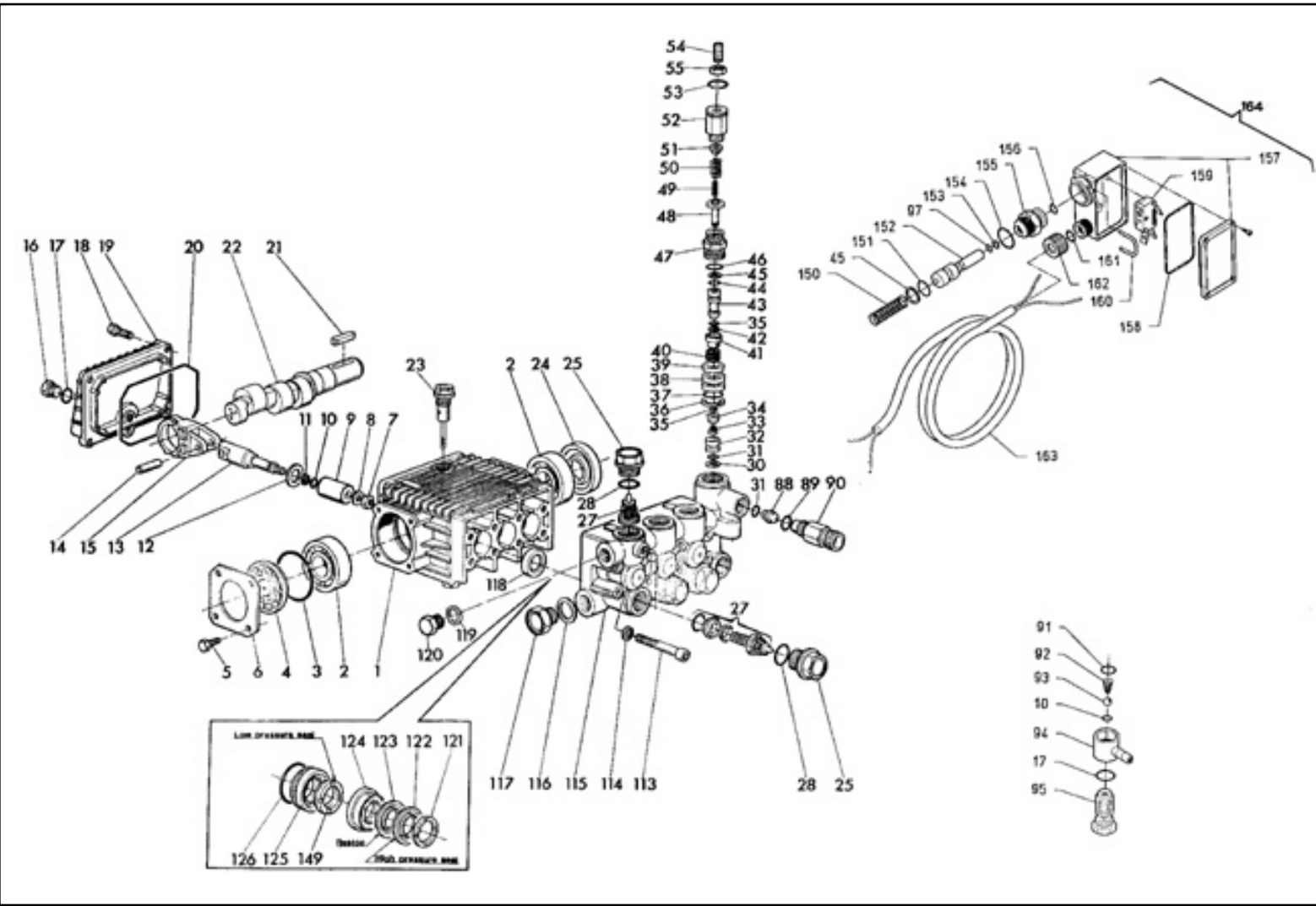
Ref.	K	Part N.	Customer Part N.	Description	Qty	Validity: From	To	Price
0001		MFVR28453		PUMP CRANKCASE "44"	1,00			--
0002		CUVR09654		BALL BEARING 6305	2,00			--
0003		GUGO01040		O-RING D. 55.56 X 3.53 NBR 70SH	1,00			--
0004		MFVR28454		SPACER "44"	1,00			--
0005		VTVT01109		SCREW TE M 6X 10 ZC. UNI 5739	4,00			--
0006		MFVR03562		CRANKCASE COVER W 70	1,00			--
0007		VTDD04284		NUT M8X1,25 X13X5 S2 INX	3,00			--
0008		VTRS09321		WASHER D. 8X13X1	3,00		07/2002	--
0008		VTRS46027		WASHER D. 8 C/CLL.	3,00	07/2002		--
0009		PIVR09319		PISTON D.15 TURBO 14.160	3,00			--
0010	S	GUGO01055		O-RING D. 5.28 X 1.78 VIT 70SH	4,00			--
0011		GUVR10257		ANTI-EXTR.RING WW161	3,00			--
0012		VTRS28456		WASHER D.16 X28 X1 PVC	3,00			--
0013		PVVR28457		PISTON GUIDE "44"	3,00			--
0014		PVVR28458		GUDGEON D.10X29.5 "44"	3,00			--
0015		BLVR28459		CONNECTING ROD "44"	3,00			--
0016		RCDS01088		CAP 1/4X 9 M WW90	1,00			--
0017	S	GUGO01036		O-RING D. 10.82 X 1.78 NBR 70SH	2,00			--
0018		VTVT01114		SCREW TCEI 6X14 UNI 5931	5,00			--
0019		MFVR28460		CRANKCASE COVER "44"	1,00			--
0020		GUGO18695		O-RING D. 101.27 X 2.62 NBR 70SH	2,00			--
0021		VTVR09510		KEY 8X7X35	1,00			--
0022		ALMO28462		SHAFT "44" WW 186	1,00			--
0023		PVVR01089		OIL DIPSTICK W 70	1,00			--
0024		GUGO28465		OIL SEAL 25X 62X10 NBR70	1,00			--
0025	S	RCDS28466		CAP M24X1.5X17 "44"	5,00			--
0027	S	VVAM28467		VALVE UNIT "44" WW136-186	6,00			--
0028	S	GUGO19395		O-RING D. 20.24 X 2.62 NBR 70SH	6,00			--
0030	S	GUVR11651		ANTI-EXTR.RING D. 10.6X15X2	1,00			--
0031	S	GUGO03501		O-RING D. 9.92 X 2.62 VIT 70SH	2,00			--
0032	S	PVVR12887		VALVE SEAT CONTROL SET W1	1,00			--
0033	S	VTVT18667		SCREW M 5X0,8X7,5	1,00			--
0034	S	PVVR18668		VALVE CLT	1,00			--
0035	S	GUGO03497		O-RING D. 6.75 X 1.78 VIT 80SH	2,00			--
0036	S	GUVR28469		ANTI-EXTR.RING D.22 X25X1,5	1,00			--
0037	S	GUGO08182		O-RING D. 21.91 X 1.78 NBR 70SH	1,00			--
0038	S	PVVR28470		VALVE GUIDE "44"	1,00			--
0039	S	PVVR28471		VALVE "44"	1,00			--
0040	S	MLML28472		SPRING D. 18.5 X11 "44"	1,00			--



Ref.	K	Part N.	Customer Part N.	Description	Qty	Validity: From To	Price
0041	S	PVVR28473		SPACER "44"	1,00		--
0042	S	GUVR04309		ANTI-EXTR.RING HM	1,00		--
0043	S	PVVR28474		CONTROL PISTON "44"	1,00		--
0044	S	GUGO01946		O-RING D. 9.13 X 2.62 VIT 70SH	1,00		--
0045	S	GUVR01940		ANTI-EXTR.RING D. 9,5X14X1,5	2,00		--
0046	S	GUGO01037		O-RING D. 23.81 X 2.62 NBR 70SH	1,00		--
0047	S	PVVR28475		BUSHING "44"	1,00		--
0048	S	PVVR28476		SPRING PLATE "44" INF.	1,00		--
0049	S	MLML28477		SPRING D. 7.6 X29 "44"	1,00		--
0050	S	MLML11655		SPRING D.15X35	1,00		--
0051	S	PVVR11656		SPRING PLATE W1	1,00		--
0052	S	PVVR18672		REGISTER COLT	1,00		--
0053	S	GUGO01057		O-RING D. 20.35 X 1.78 NBR 70SH	1,00		--
0054	S	VTVT20196		SCREW EI-ST 8X20 UNI5923	1,00		--
0055	S	VTDD09708		NUT M 8 UNI 5589	1,00		--
0088	S	UGEI29760		NOZZLE D. 1.9 KR OT58	1,00		--
0089	S	GUGO03507		O-RING D. 13.95 X 2.62 VIT 70SH	1,00		--
0090	S	RCDS19348		CONNECTOR 3/8M-F D.3 L=45	1,00		--
0091	S	GUGO03496		O-RING D. 9.25 X 1.78 NBR 70SH	1,00		--
0092	S	MLML04264		SPRING D. 4.3X11X7.3 KR	2,00		--
0093	S	SFVR04274		BALL D. 7/32	2,00		--
0094	S	RCDS20865		CONNECTOR O. D.14 - 3-6	1,00		--
0095	S	PVVR09709		VALVE SEAT KR	1,00		--
0097	S	GUGO08071		O-RING D. 4.48 X 1.78 NBR 70SH	2,00		--
0113	S	VTVT01121		SCREW TCEI 8X60 UNI5931	8,00		--
0114	S	VTRS01072		WASHER D. 8 TC	12,00		--
0115	S	MFVR39918		HEAD "44" WW D.15 V.I.TS	1,00		--
0116	S	VTRS01075		WASHER D.21,5X27 ALL	1,00		--
0117	S	RCDS01091		CAP 1/2X10 M	1,00		--
0118	S	GUGO01001		OIL SEAL 20X 30X 5 NBR70	3,00		--
0119	S	VTRS01074		WASHER D.17,05X22,3 X1,5	1,00		--
0120	S	RCDS01090		CAP 3/8X13 M WW90	1,00		--
0121	S	PVVR09327		HEAD RING D. 15	3,00		--
0122	S	GUVR09324		PACKING D. 15 TURBO	3,00		--
0123	S	GUVR15117		PACKING D. 15 RESTOP	3,00		--
0124	S	PVVR09326		INTERMED. RING D. 15 TURBO	3,00		--
0125	S	PVVR28505		PACKING RETAIN.D. 15 "44"	3,00		--
0126	S	GUGO01039		O-RING D. 31.47 X 1.78 NBR 70SH	3,00		--
0149	S	GUVR34582		PACKING D. 15 L.P.	3,00		--



Ref.	K	Part N.	Customer Part N.	Description	Qty	Validity:		Price
						From	To	
0150	S	MLML39786		SPRING D. 7.5 X 37.5 INX	1,00			--
0151	S	GUGO28927		O-RING D. 9.13 X 2.62 NBR 70SH	1,00			--
0152	S	PVVR39690		CONTROL PISTON T-STOP "44" OT	1,00			--
0153	S	GUVR37627		ANTI-EXTR.RING D. 5.2X 8 X1.5	1,00			--
0154	S	GUGO09720		O-RING D. 14 X 1.78 NBR 70SH	1,00			--
0155	S	PVVR37626		PISTON GUIDE T-STOP PRM OT	1,00			--
0156	S	GUGO06988		O-RING D. 7.66 X 1.78 NBR 70SH	1,00			--
0157		MPVR37623		SHELL T-STOP PRM PA	1,00			--
0158		GUGO01046		O-RING D. 45.69 X 2.62 NBR 70SH	1,00			--
0159		MECI37646		MICROSWITCH XGA2-88 16(6)A	1,00			--
0160		LAFN37625		PLUG "U" T-STOP PRM INX	1,00			--
0161		GUGO06824		O-RING D. 6 X 3 NBR 70SH	1,00			--
0162		MEVR27423		RING NUT MTH	1,00			--
0163		MECB39792		CABLE N.239 2X1 SG L=950	1,00			--
0164		MEPF39924		PRESSURE SWITCHSLV N.A. 16(6)A XGA 2	1,00			--



Ref. Part N.	Cust. Part N.	Description	Reference	Price
KTRI18585	KIT P	23	0118	--
KTRI18656	KIT P	15- 94	0010 0017 0031 0089 0091 0092 0093	--
KTRI21658	KIT P	88	0122 0123 0149	--
KTRI21659	KIT P	89	0124	--
KTRI21660	KIT P	90	0121	--
KTRI28508	KIT P	15-123	0027	--
KTRI28510	KIT P	15-124	0025 0028	--
KTRI28512	KIT P	15-125	0125 0126	--
KTRI28522	KIT P	130	0121 0122 0123 0124 0125 0126 0149	--
KTRI28526	KIT P	137	0030 0031 0032 0033 0034 0035 0036 0037 0038 0039 0040 0041 0042 0043	--
			0044 0045	--
KTRI40084	KIT P	15-144 C.PIST. TST "44"	0045 0097 0150 0151 0152 0153 0154 0155 0156	--