



IPC Integrated Professional Cleaning

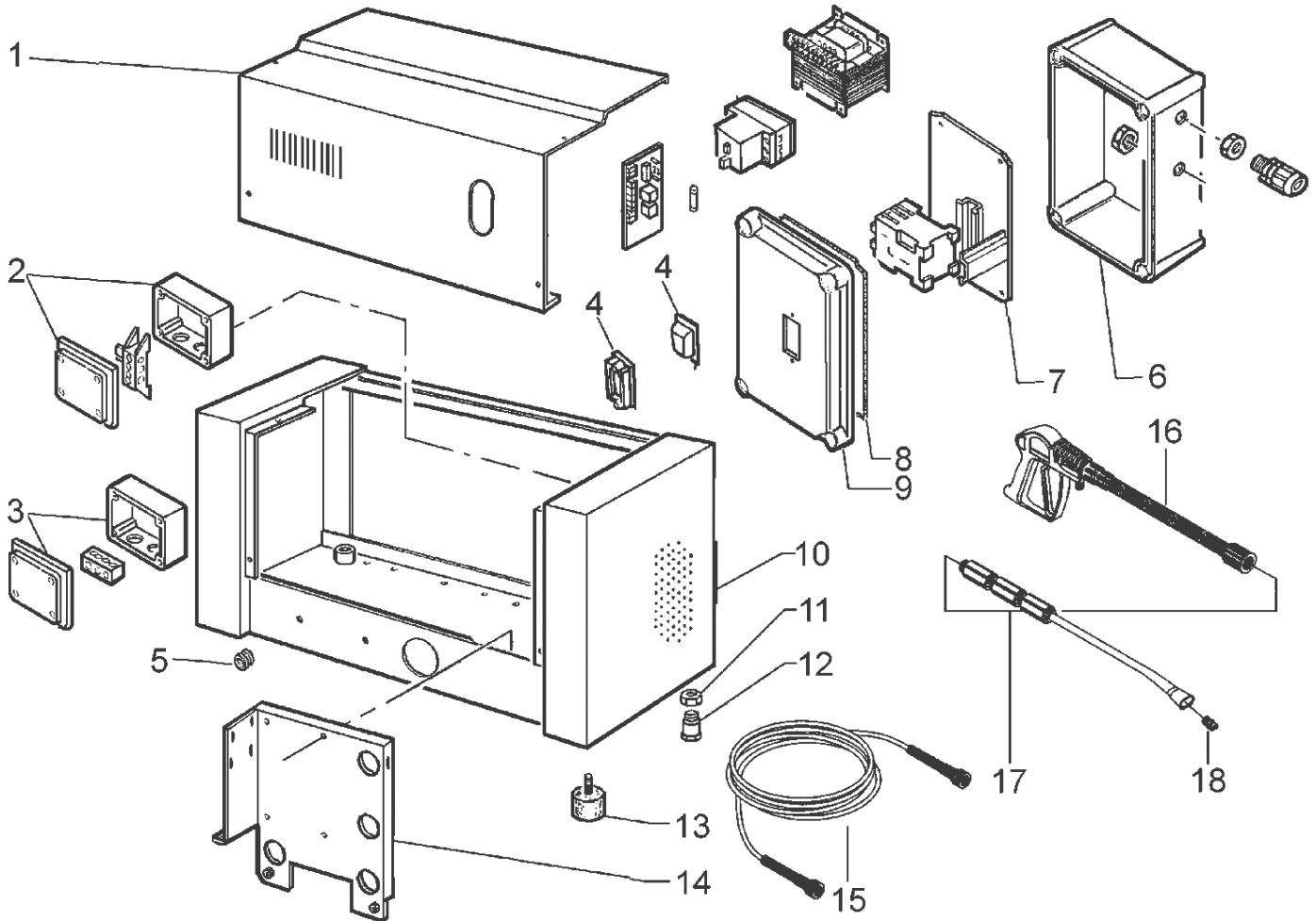
IPC Portotecnica

Spare Parts List

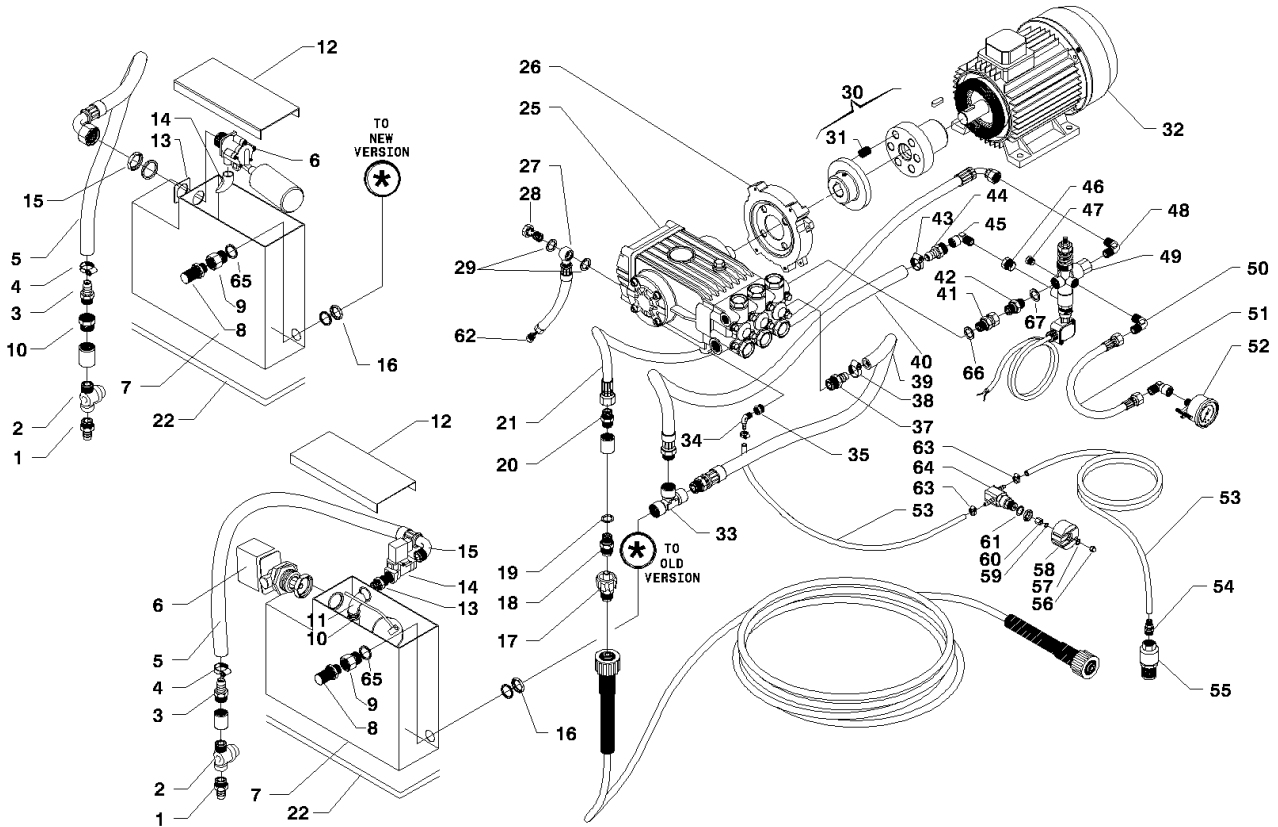
IPF ENGINEERING LTD

Ref: IDAF40372

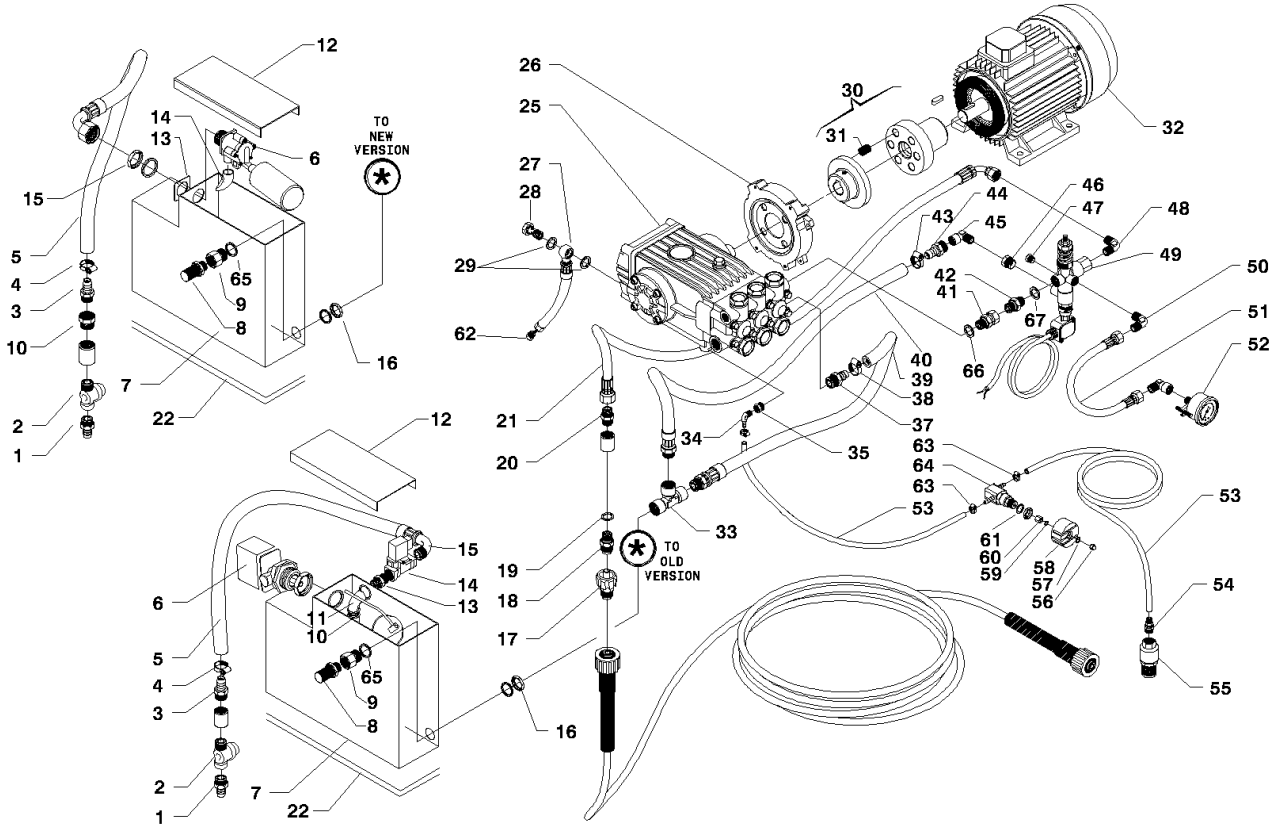
Model: IDROP MUR.SML-C D2021Pi T 400/50 3-05IPC



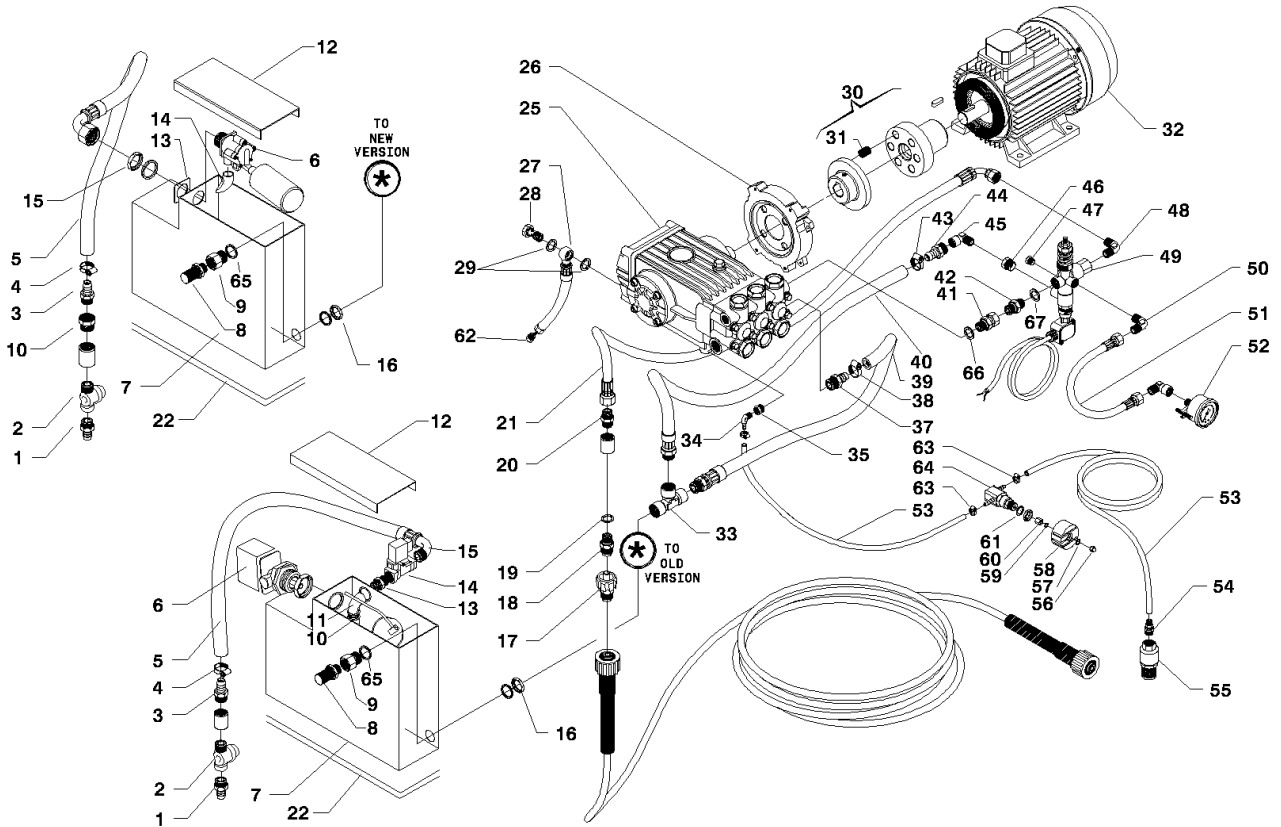
Ref.	K	Part N.	Customer Part N.	Description	Qty	Validity:		Price
						From	To	
0001		LAFN73843		ANT. PANEL MDS INX 30/100	1,00			--
0002		MEVR71533		BOX 120X80X50	1,00			--
0003		MEVR71533		BOX 120X80X50	1,00			--
0004		MEVR32332		FRAME IP 55 ISK MS 25	1,00			--
0005		MEVR72910		FAIR-LEAD D.9x18x21 (S518)	1,00			--
0006		MEVR71752		BOX NICO	1,00			--
0007		LAFN71786		PLATE SR TST	1,00			--
0008		GUVR71755		GASKET QUADRO EL.SK	1,00			--
0009		MEVR71753		COVER NICO	1,00			--
0011		MEVR87377		LOCKNUT PG 16 BK	1,00			--
0012		MEVR87382		FAIR-LEAD PG 16 SC BK	1,00			--
0013		ABGO76326		VIBRATION DAMP.CL.40X30-M10X23+M10F 60SH	4,00			--
0014		LAFN73845		BOX SUPPORT MDS INX 30/100	1,00			--
0015		TBAP40010		H.P. HOSE R2 MT 10 3/ 8" C/2 IRV IX	1,00			--
0016		IPPR40002		GRIP G 5000+P.330 +M22 SW.M V	1,00		04/2014	--
0016		IPPR40016		GRIP G 5000+P.330 +M22 SW.M V2	1,00	04/2014		--
0017		LCPR12976		EXTENSION P 70	1,00	03/2007		--
0018		UGLN02300		NOZZLE 1/4 2506	1,00		05/2006	--
0018		UGLN49994		NOZZLE LECH 1/4 2506	1,00	05/2006		--



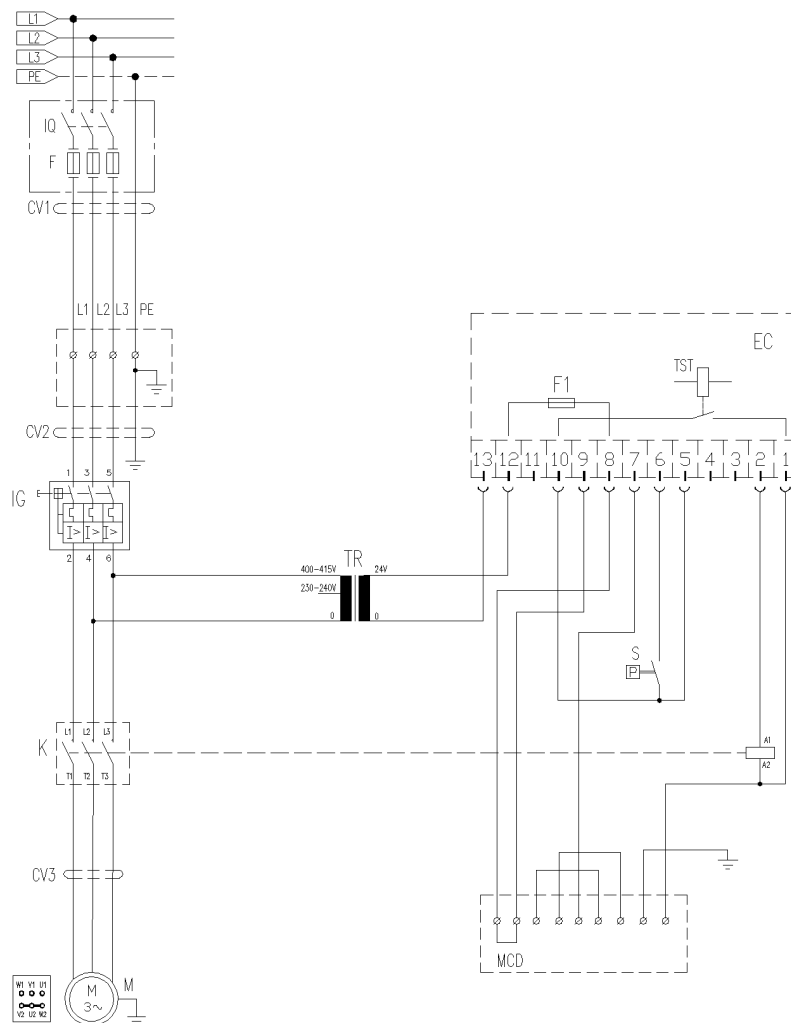
Ref.	K	Part N.	Customer Part N.	Description	Qty	Validity:		Price
						From	To	
0001		RCDS73006		HOSE FITTING M 3/4" D.20	1,00			--
0002		FTAC72444		WATER FILTER 3/4" M/F 41 LT	1,00			--
0003	S	RCVR73008		HOSE FITTING 1/2 D.17 454/A	1,00	10/2005		--
0003		RCDS73006		HOSE FITTING M 3/4" D.20	1,00		10/2005	--
0004	S	FSVR00431		CLAMP D. 16-25	1,00			--
0005	S	TBBP41584		L.P. HOSE L=285 3/4F 90°	1,00			--
0006	S	RCGR39997		FLOATER MTM 3/4G M 10BAR	1,00			--
0007		LAFN41582		WATER TANK MDS-MR	1,00			--
0008		FTAC41585		FILTER G 3/4M INX	1,00			--
0009		RCDS41586		CONNECTOR USA G 3/4 M/F	1,00			--
0010	S	RCDS28900		SLEEVE 3/4-1/2 M/F MTH	1,00	10/2005		--
0012		LAFN41581		TANK COVER MDS INX	1,00			--
0013	S	LAFN41583		PLATE MDS	2,00			--
0014	S	RCVR72828		ELBOW	1,00			--
0016		RCDS40575		RING NUT G3/4 OT	1,00			--
0017		RCIN72805		SCREW CLUTCH F 3/8 M	1,00		03/2007	--
0018		RCIN09348		MALE COUPLING 3/8MA L=32	1,00	03/2007		--
0018		RCIN73013		SCREW CLUTCH M 3/8M	1,00		03/2007	--
0019		VTRS00548		WASHER D.17,5X23X1,5 (3/8)RM	1,00			--
0020		RCDS12121		NIPPLE 3/8 - 3/8 SV/CN	1,00			--
0021		TBAP72736		TUBE 3/8 RACC L=550 R2 0-90°	1,00			--
0022		GUGO27129		JOINT 10X3	0,20	10/2004	10/2005	--
0025		PPAP42347		PUMP WS102 DX LT 21-100 BAR US	1,00			--
0026		MFVR74067		FLANGE H132 HP10-12 NC	1,00			--
0027		TBBP48183		L.P. HOSE L= 350 1/4OC.- 3/8F 0°	1,00	04/2003		--
0028		RCDS02612		SCREW G 1/4 A.P.	1,00	04/2003		--
0029		VTRS04931		WASHER COPPER D.13X19X1.5	2,00	04/2003		--
0030		FGGT87320		FLEX. COUPLING IP WS 202 HP12-15(24x38)	1,00			--
0031		FGGT04612		BUSHING IP	6,00			--
0032		MOTR87319		3PH MOTOR HP 12 230/400V 50HZ GT.	1,00			--
0033		RCVR00670		TEE UNION 1/2 F/F/F	1,00			--
0034		RCDS40582		HOSE FITTING "L" 1/4M - D. 6	1,00			--
0035		RCVR02606		REDUCTION 1/2-1/4 M/F	1,00			--
0037		RCDS73006		HOSE FITTING M 3/4" D.20	1,00			--
0038		FSVR00431		CLAMP D. 16-25	1,00			--
0039		TBBP72770		FLEXIBLE HOSE B.P.Lg.470 ML	1,00			--
0040		TBBP72772		L.P. HOSE L= 430 1/2M 0°	1,00			--
0041		RCVR00563		SWIVEL RACCORD 3/8 M/F	1,00			--
0042		RCDS00610		NIPPLE 3/8 - 3/8 SV	1,00			--



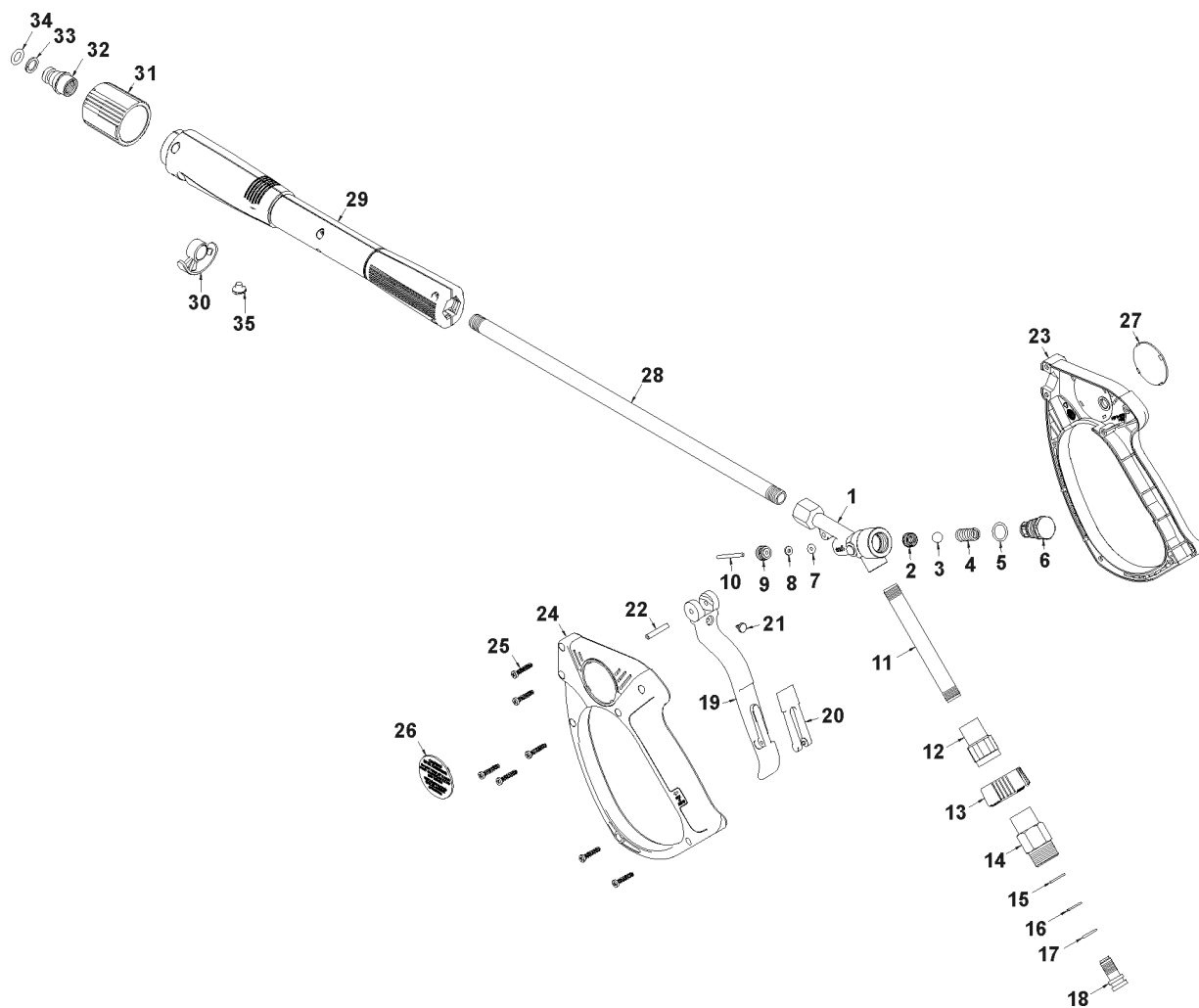
Ref.	K	Part N.	Customer Part N.	Description	Qty	Validity:		Price
						From	To	
0043		FSVR00431		CLAMP D. 16-25	1,00			--
0044		RCDS41588		HOSE FITTING 3/8 M D.17 OT.	1,00			--
0045		RCVR00574		ELBOW 3/8" M/F A10	1,00			--
0046		RCVR02591		SLEEVE 1/4-3/8 M/F A5	1,00	04/2003		--
0047		RCVR00659		CAP 1/4 M	2,00			--
0047		VTRS04931		WASHER COPPER D.13X19X1.5	3,00			--
0048		RCVR40590		ELBOW 3/8" M A.P. OT.MTM	1,00			--
0049		VVAZ87716		VALVE ST 261 - SWITCH N.A.	1,00			--
0050		RCVR12430		ELBOW 1/4" M/M A15	1,00	04/2003		--
0051		TBAP40004		POLYAMIDE HOSE L=260 1/4 F-F	1,00	02/2008		--
0051		TBAP41589		HOSE-FITTING 1/4 R1 L=220 R1 0-90 1/4	1,00		01/2008	--
0052		MNMN49621		PRESSURE GAUGE 0-250 D.50 INOX	1,00	04/2004		--
0052		MNMN72413		PRESSURE GAUGE 0-315 D.50 ATT.1/4Gj	1,00		03/2004	--
0053		TBBP85832		L.P. HOSE D. 5- 8	2,40			--
0054		RCIN40585		CONNECTOR DTT 3/8"M C1 D. 6/8 NIK	1,00			--
0055		VVSF40586		VALVE MHDS	1,00			--
0056		VTDD14407		NUT M 5 INX A2	1,00	07/2004		--
0056		VTDD76273		NUT M5 (002D)	1,00		07/2004	--
0057		VTRS03590		WASHER D. 5.3X9X0.6	1,00			--
0058		MPVR40584		KNOB	1,00			--
0059		VTRS01079		WASHER D. 6 GROWER	1,00			--
0060		MPVR74070		INSERT	1,00			--
0061		VTRS26922		WASHER D.14 X 22 X 1.2 SCHNORR	1,00			--
0062		GUGO01035		O-RING D. 13.95 X 2.62 NBR 70SH	1,00	09/2005		--
0062		VTRS00548		WASHER D.17,5X23X1,5 (3/8)RM	1,00	04/2003	09/2005	--
0062		RCDS28310		CAP 3/8 M PLS	1,00	09/2005		--
0062		RCVR12243		CAP 3/8M L=10	1,00	04/2003	09/2005	--
0063		FSVR72800		CLAMP D 8.3 - 8.8	2,00			--
0064		RCGR40583		DETERGENT TAP	1,00			--
0065		GUVR40627		GASKET D. 3/4"	1,00			--
0066		VTRS00548		WASHER D.17,5X23X1,5 (3/8)RM	1,00			--
0067		VTRS00548		WASHER D.17,5X23X1,5 (3/8)RM	1,00			--



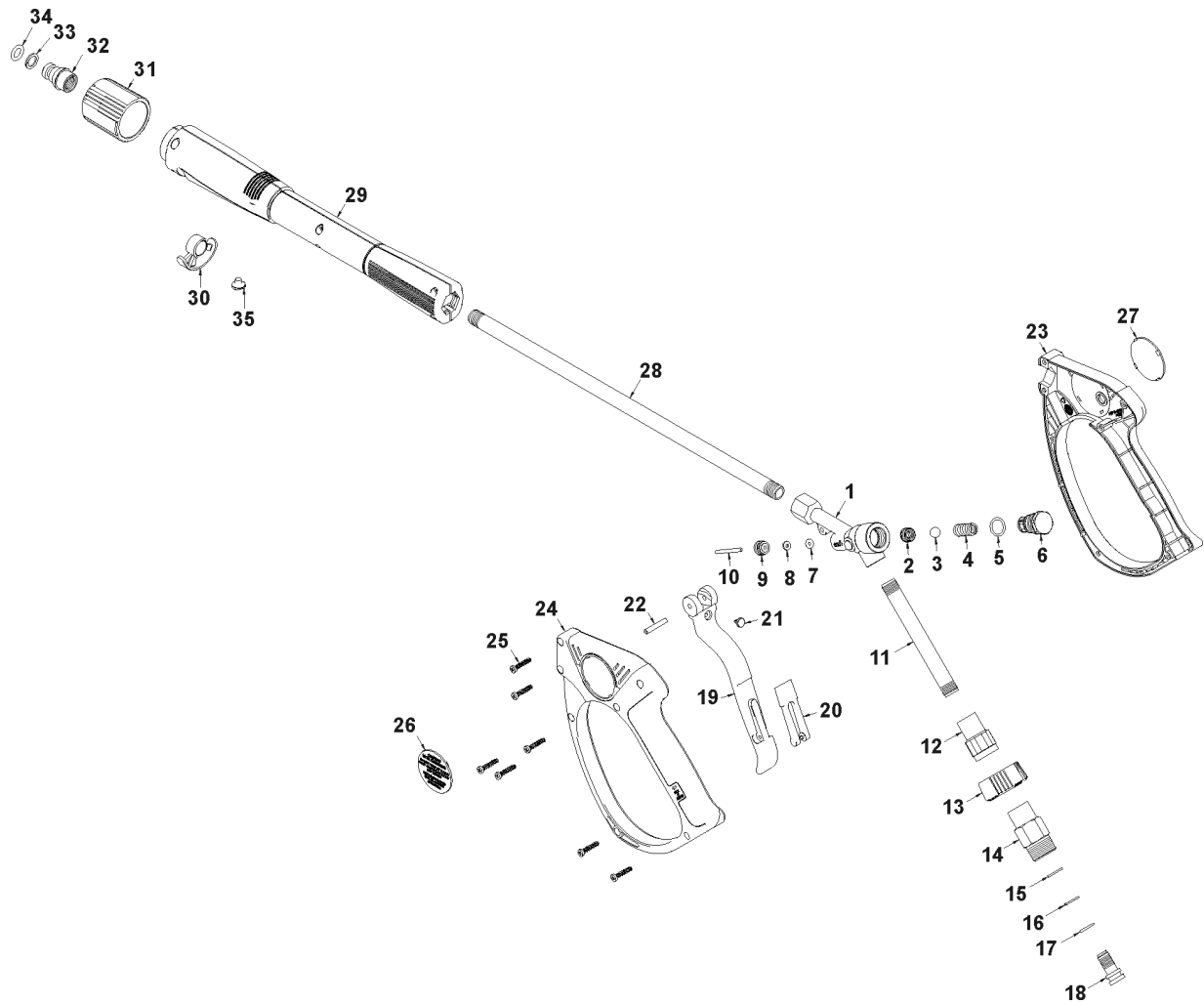
Ref. Part N.	Cust. Part N.	Description	Reference	Price
9999	KTRI89634	KIT PX 1- 27 SML 20LT	0003 0004 0005 0006 0010 0013 0014	--



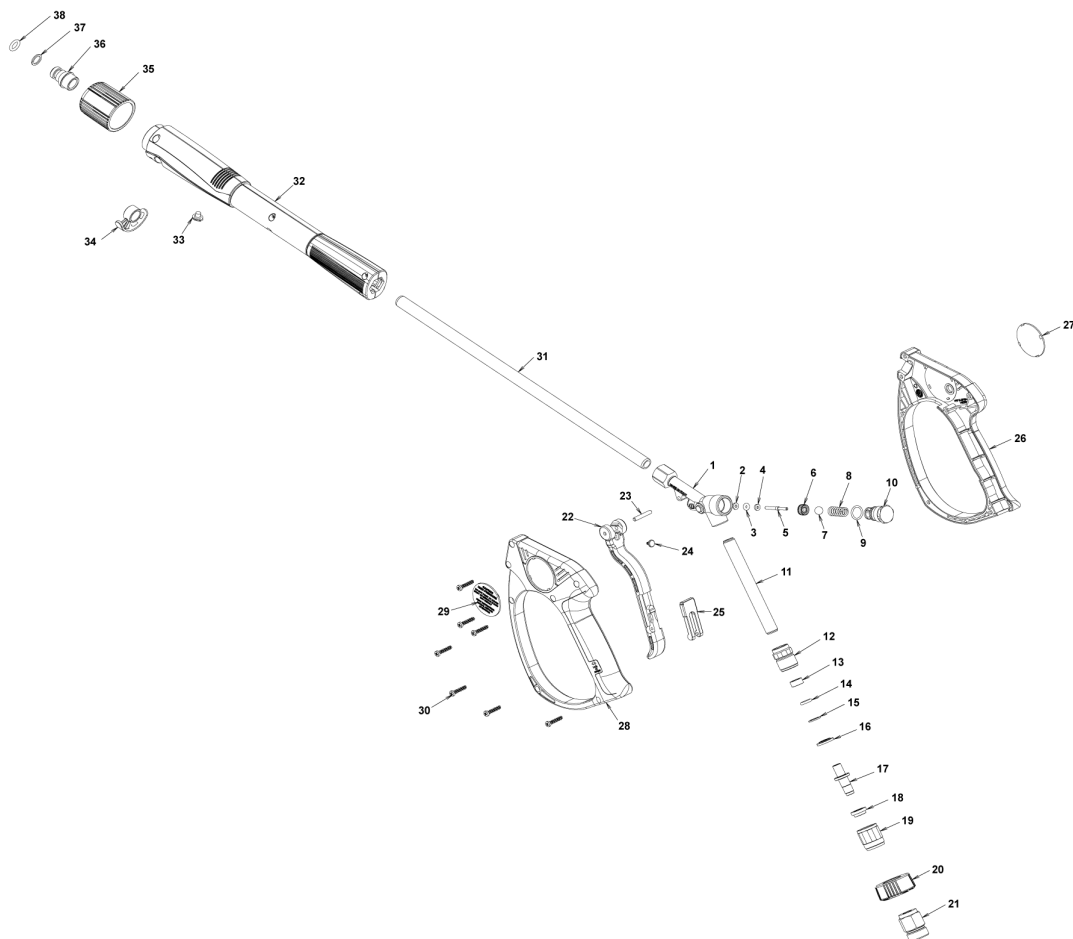
Ref.	K	Part N.	Customer Part N.	Description	Qty	Validity:		Price
						From	To	
K		METT40022		CONTACTOR SIE 3RT 2026-1AC20 24V	1,00	02/2015		--
K		METT40634		CONTACTOR CGE CL 25A 300T1 24V 5/60	1,00		02/2015	--
S		MEPF87717		PRESSURE SWITCHST 261 N.A.	1,00			--
EC		MECE41579		PCB MDS T-ST.	1,00			--
F1		MEVR35744		FUSE 5X20 T 2,5A	1,00			--
GA		MECI88055		FLOATER G3/4 ELEC. P/SML	1,00		10/2005	--
IG		MECI71654		SWITCH WMX MS 25 16-20 A	1,00			--
TR		METR41580		TRANSFORMER 50VA 400-230/50V	1,00			--
EVA		MEEV72458		SOLENOID VALVE 1/2 "SIRAI"	1,00		10/2005	--



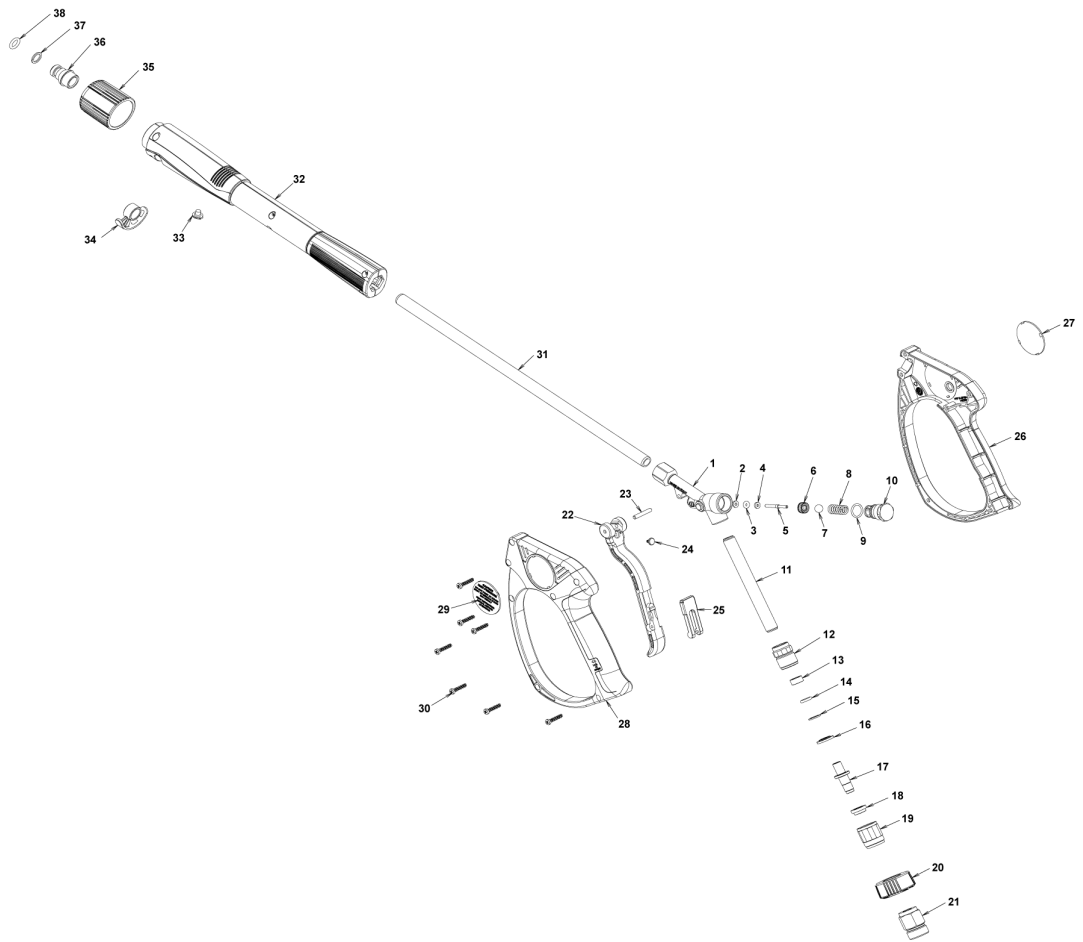
Ref.	K	Part N.	Customer Part N.	Description	Qty	Validity:		Price
						From	To	
0001		PVVR40111		GUN BODY G 5000 G1/4F	1,00			--
0002	S	PVVR40112		BALL SEAT G 5000	1,00			--
0003	S	SFVR06779		BALL INOX 11/32	1,00			--
0004	S	MLML40016		SPRING D. 9.4 x21.5x1.6 G5000	1,00			--
0005	S	GUGO21841		O-RING D. 12.42 X 1.78 NBR 90SH	1,00			--
0006		PVVR40113		CAP G 5000	1,00			--
0007	S	GUGO17952		O-RING D. 2.84 X 2.62 NBR 70SH	1,00			--
0008	S	GUVR40032		ANTI-EXTR.RING D. 3	1,00			--
0009	S	PVVR40114		PISTON GUIDE G 5000	1,00			--
0010	S	PVVR40115		SMALL PISTON G 5000	1,00			--
0011		PVVR40116		TUBE G 1/4" L.110	1,00			--
0012		RCIN40007		CONNECTOR SWIV G5000 1/4F	1,00			--
0013		MPVR40190		RING NUT G 5000 SW.	1,00			--
0014		RCIN40008		JOINT SWIV 5000 M22	1,00			--
0015	S	PVVR40117		RING SW. G 5000	1,00			--
0016	S	GUVR40033		ANTI-EXTR.RING D. 11	1,00			--
0017	S	GUGO01036		O-RING D. 10.82 X 1.78 NBR 70SH	1,00			--
0018		PVVR40118		SCREW SW. G 5000	1,00			--
0019		MPVR40191		TRIGGER G 5000-SW	1,00			--
0020		MPVR40192		SAFETY-DEVICE G 5000-SW	1,00			--
0021		PVVR45053		PAWL G 2100 INX	1,00			--
0022		VTVR40008		PLUG D. 3 G5000	1,00			--
0023		MPVR40193		SHELL G 5000-SW 2PZ.	1,00			--
0024		MPVR40193		SHELL G 5000-SW 2PZ.	1,00			--
0025		VTVT62984		SCREW TC-CR M 4.2 X19 ZN	7,00			--
0026		MPVR40194		PLATE G 5000 GR.	1,00			--
0027		MPVR40194		PLATE G 5000 GR.	1,00			--
0028		LCPR40015		TUBE 1/4 L=370 ZC. 0°	1,00			--
0029		MPVR40195		PROTECTION P 370 MV	1,00			--
0030		MPVR40197		CAP G 5000 FIX.	1,00			--
0031		PVVR40119		CONNECTION M22X1,5 IRV G5000	1,00			--
0032		RCIN40009		GUDGEON G 1/4 F IRV G5000	1,00			--
0033	S	GUVR40034		ANTI-EXTR.RING D. 10 X14	1,00			--
0034	S	GUGO28927		O-RING D. 9.13 X 2.62 NBR 70SH	1,00			--
0035		MPVR40198		CAP G 5000	1,00			--



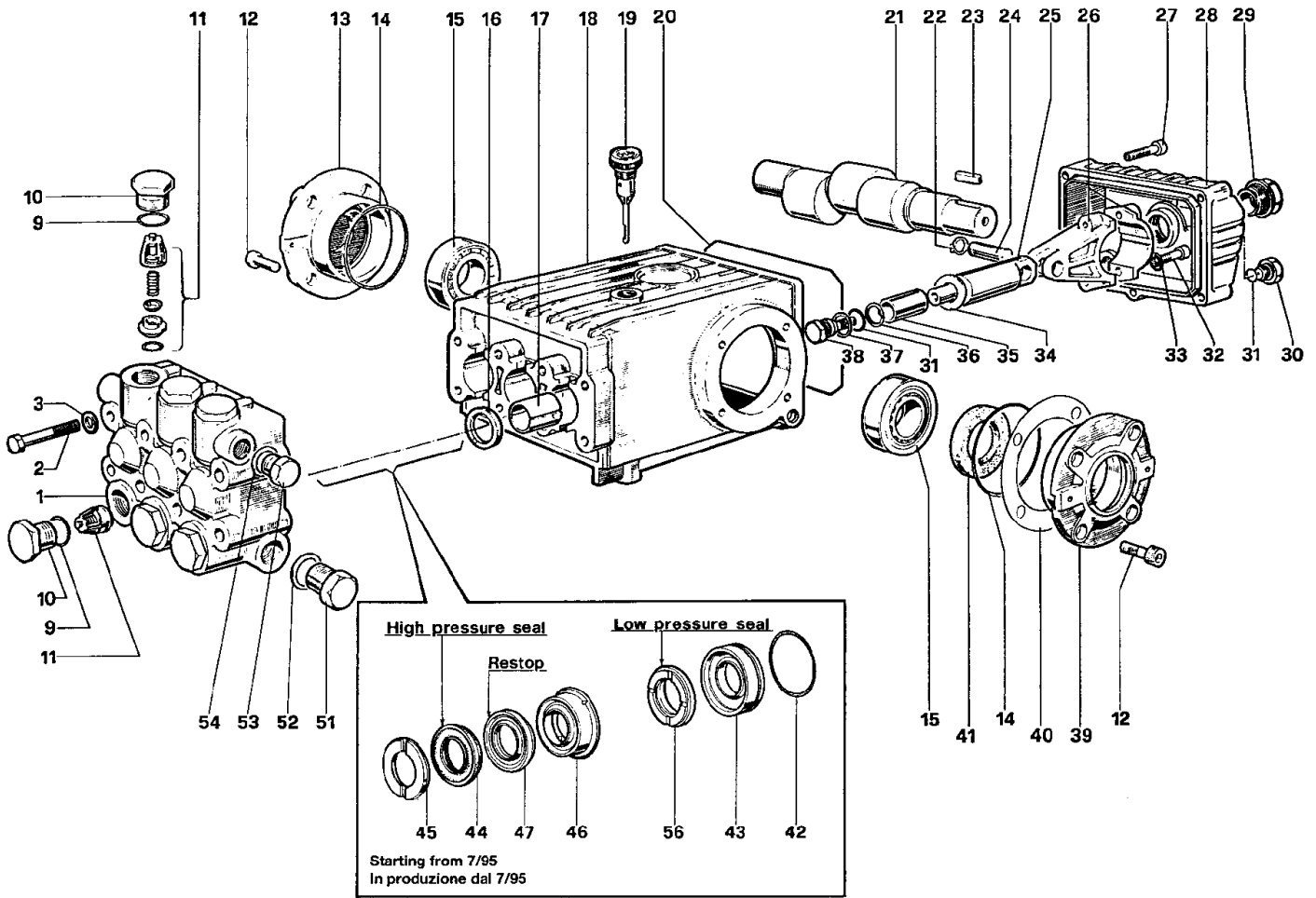
Ref. Part N.	Cust. Part N.	Description	Reference	Price
KTRI40090	KIT P	26- 23 G 5000-SW	0002 0003 0004 0005 0008 0009 0010 0015 0016 0017 0033 0034 0007	--
KTRI40091	KIT P	33- 13 OR G5000-SW	0033 0034	--



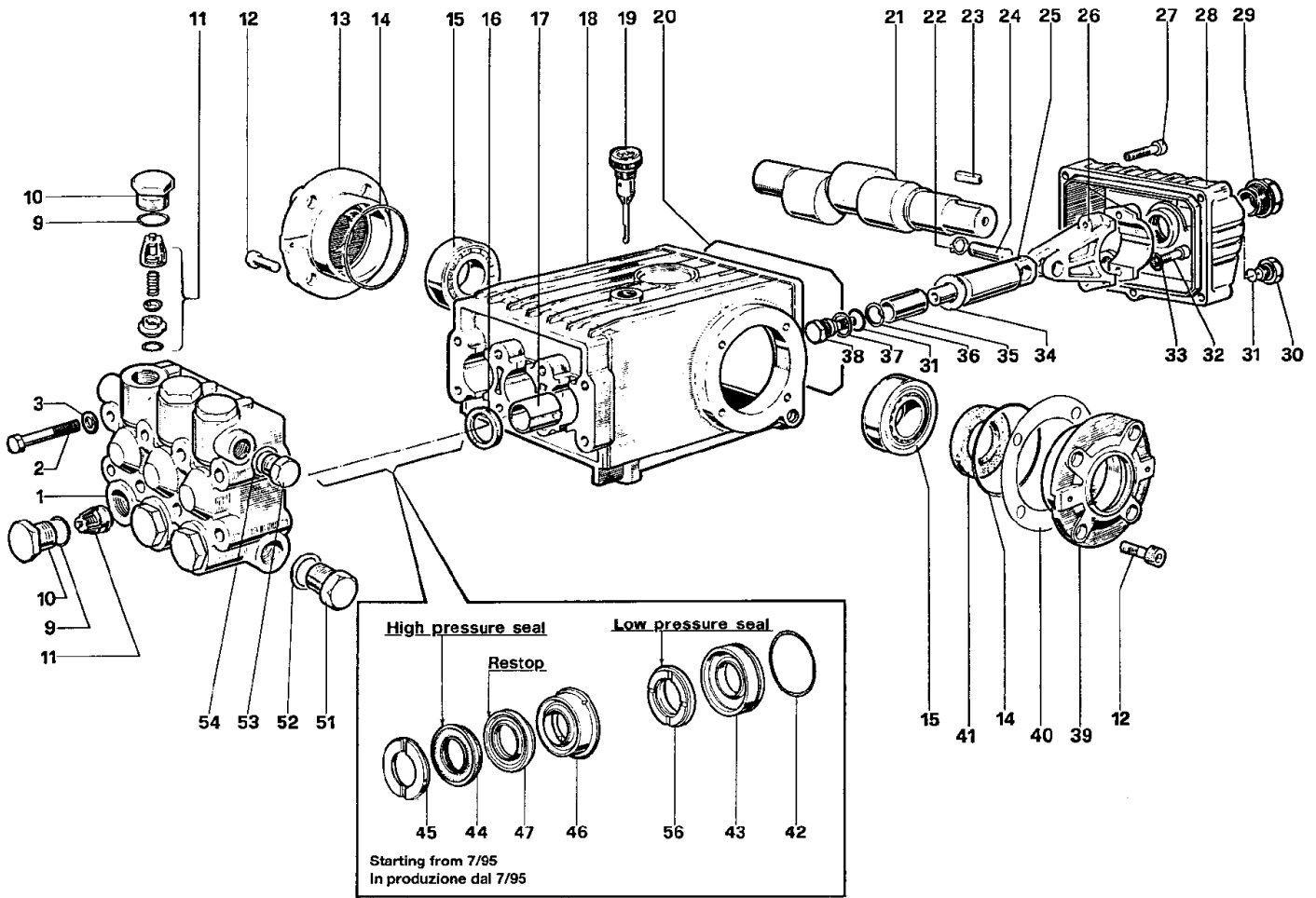
Ref.	K	Part N.	Customer Part N.	Description	Qty	Validity: From	To	Price
0001		PVVR40402		GUN BODY G5000-V/2 G1/4F	1,00			--
0002	S	GUGO17952		O-RING D. 2.84 X 2.62 NBR 70SH	1,00			--
0003	S	GUGO21835		O-RING D. 2.84 X 2.62 VIT. 80SH	1,00			--
0004	S	VTRS40024		WASHER D. 3 X 7 X1,5 OT	1,00			--
0005	S	PVVR40404		SMALL PISTON G5000-V/2	1,00			--
0006	S	PVVR40112		BALL SEAT G 5000	1,00			--
0007	S	SFVR06779		BALL INOX 11/32	1,00			--
0008		MLML40016		SPRING D. 9.4 x21.5x1.6 G5000	1,00			--
0009	S	GUGO21841		O-RING D. 12.42 X 1.78 NBR 90SH	1,00			--
0010		PVVR40113		CAP G 5000	1,00			--
0011		PVVR40405		TUBE G 1/4" L.115	1,00			--
0012		RCIN40024		CONNECTOR SWIV G5000-V/2 1/4F	1,00			--
0013	S	PVVR40406		BUSHING G5000-V/2	1,00			--
0014	S	PVVR40403		RING SW. G5000-V/2	1,00			--
0015	S	GUVR40081		ANTI-EXTR.RING D.9 X13.2X1.2	1,00			--
0016	S	PVVR40407		SPACER G5000-V/2	1,00			--
0017	S	PVVR40408		PIN G5000-V/2	1,00			--
0018	S	PVVR40409		BUSHING C/GRAD. G5000-V/2	1,00			--
0019		PVVR40410		NIPPLE G5000-V/2	1,00			--
0020		PVVR40411		KNOB SWIVEL G5000-V/2	1,00			--
0021		RCIN40025		CONNECTOR SWIV G5000-V/2 M22	1,00			--
0022	S	MPVR40628		TRIGGER G5000-V/2	1,00			--
0023	S	VTVR40008		PLUG D. 3 G5000	1,00			--
0024	S	PVVR45053		PAWL G 2100 INX	1,00			--
0025	S	MPVR40629		SAFETY-DEVICE G 5000-SW	1,00			--
0026		MPVR40630		SHELL G5000-V/2 DX	1,00			--
0027		MPVR40631		PLATE G5000-V/2	1,00			--
0028		MPVR40632		SHELL G5000-V/2 SX	1,00			--
0029		MPVR40633		PLATE G5000-V/2 SX	1,00			--
0030		VTVT62984		SCREW TC-CR M 4.2 X19 ZN	7,00			--
0031		LCPR40015		TUBE 1/4 L=370 ZC. 0°	1,00			--
0032		MPVR40195		PROTECTION P 370 MV	1,00			--
0033		MPVR40198		CAP G 5000	1,00			--
0034		MPVR40197		CAP G 5000 FIX.	1,00			--
0035		PVVR40119		CONNECTION M22X1,5 IRV G5000	1,00			--
0036		RCIN40009		GUDGEON G 1/4 F IRV G5000	1,00			--
0037		GUVR40034		ANTI-EXTR.RING D. 10 X14	1,00			--
0038		GUGO40055		O-RING D. 2.62 X 9.19 - VITON	1,00			--



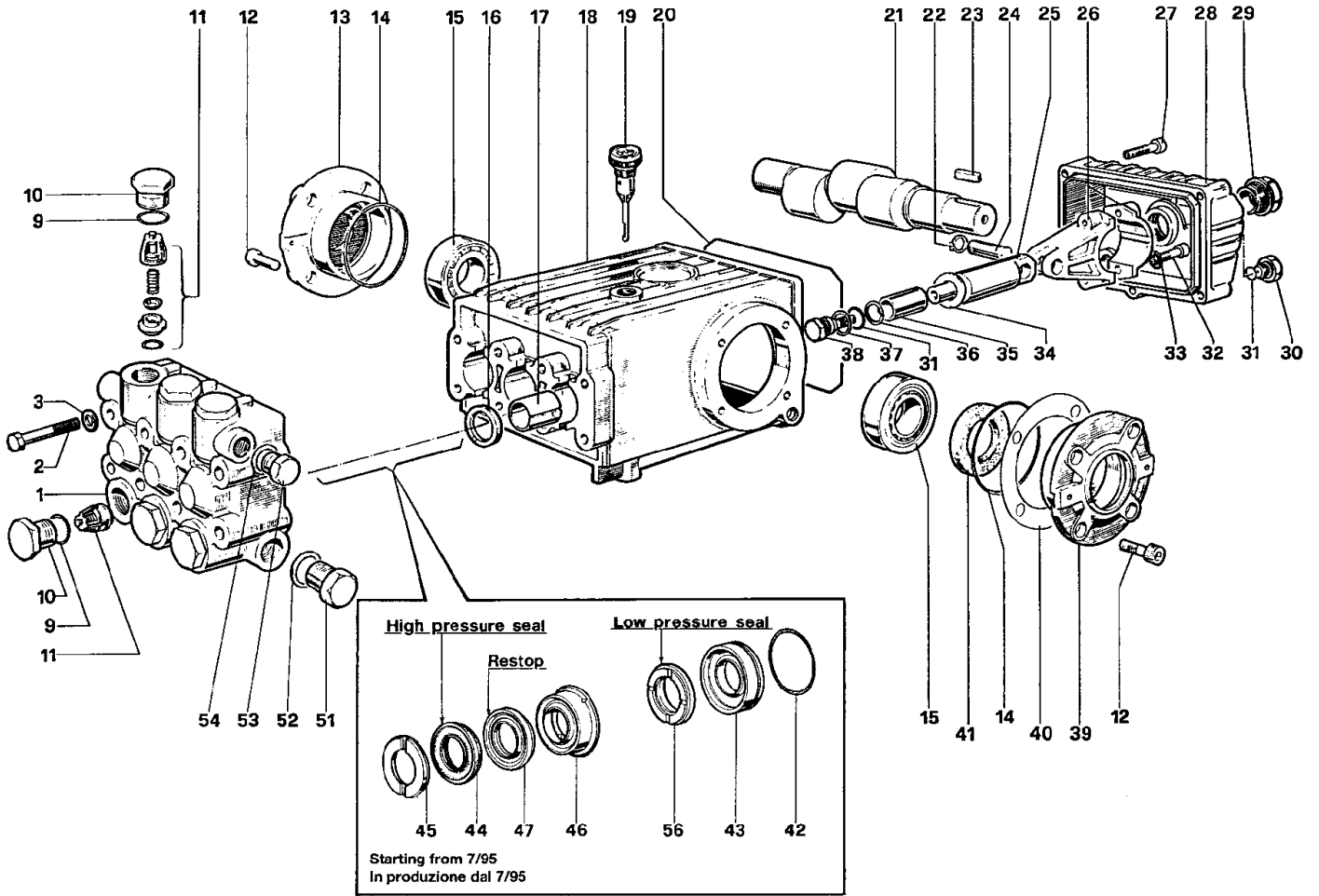
Ref. Part N.	Cust. Part N.	Description	Reference	Price
KTRI40285	KIT P	26- 27 SWIVEL G5000-V/2	0013 0014 0015 0016 0017 0018	--
KTRI40286	KIT P	26- 28 LEVA G5000-V/2	0022 0023 0024 0025	--
KTRI40287	KIT P	26- 29 OR SEDE G5000-V/2	0002 0003 0004 0005 0006 0007 0009	--



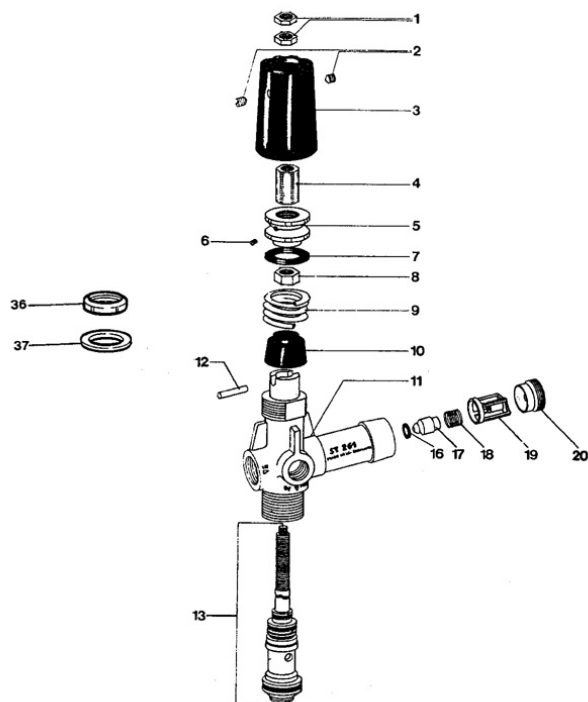
Ref.	K	Part N.	Customer Part N.	Description	Qty	Validity:		Price
						From	To	
0001		MFVR01097		HEAD W 151	1,00			--
0002		VTVT01111		SCREW TE M 8X70 UNI 5737 A.10.9	8,00			--
0003		VTRS01072		WASHER D. 8 TC	8,00			--
0009	S	GUGO01033		O-RING D. 20.24 X 2.62 NBR 90SH	6,00			--
0010	S	RCDS01087		CAP M24X2X16 OTT	6,00			--
0011	S	VVAM01104		VALVE UNIT W 70-151	6,00			--
0012		VTVT01118		SCREW TCEI M 8X16 ZC. UNI 5931	8,00			--
0013		MFVR03576		CRANKASE COVER W151	1,00			--
0014		GUGO01041		O-RING D. 67.95 X 2.62 NBR 70SH	2,00			--
0015		CUVR09205		ROLLER BEARING 32206 A	2,00			--
0016	S	GUGO01000		OIL SEAL 22X 32X 5 NBR70	3,00			--
0017		PVVR01011		BUSHING W 151	3,00			--
0018		MFVR01013		PUMP CRANKCASE W 151	1,00			--
0019		PVVR01092		OIL DIPSTICK W 151	1,00			--
0020		GUGO34590		O-RING D. 133.02 X 2.62 NBR 70SH	1,00			--
0021		ALMO41529		SHAFT TS 1521 USA	1,00			--
0022		VTAE14016		CIRCLIP D. 12 UNI 7435	6,00			--
0023		VTVR41531		KEY 8X 7X35 UNI 6604A	1,00			--
0024		PVVR01085		GUDGEON D.13X35 W151	3,00			--
0025		PVVR01029		PISTON GUIDE W 151	3,00			--
0026		BLVR01009		CONNECTING ROD W 151	3,00			--
0027		VTVT01116		SCREW TCEI 6X30 UNI5931	5,00			--
0028		MFVR03582		CRANKASE COVER W 151 POS	1,00			--
0029		PVVR01083		OIL INDICATOR G 3/4 W70-151	1,00			--
0030		RCDS01088		CAP 1/4X 9 M WW90	1,00			--
0031	S	GUGO01036		O-RING D. 10.82 X 1.78 NBR 70SH	4,00			--
0032		VTVT01120		SCREW TCEI 8X35 UNI5931	6,00			--
0033		VTRS14242		WASHER D. 8.4X13X0.8 UNI7064 SCH	6,00			--
0034	S	VTRS01753		WASHER D.14X28 X0,5	3,00			--
0035		PIVR01066		PISTON D.20X50 W 151	3,00			--
0036	S	GUVR00994		ANTI-EXTR.RING W151	3,00			--
0037	S	VTRS01076		WASHER D.14X18,5X0,5	3,00			--
0038	S	PVVR01107		PISTON BOLT IP W151	3,00			--
0039		MFVR03583		CRANKASE COVER W151	1,00			--
0040		PVVR01016		THICKNESS 0,1 W 151	2,00			--
0041	S	GUGO01003		OIL SEAL 30X 55X 7 NBR70	1,00			--
0042	S	GUGO01042		O-RING D. 34.6 X 1.78 NBR 70SH	3,00			--
0043	S	PVVR00977		PACKING RETAIN.W151	3,00			--
0044	S	GUVR00981		PACKING W151	3,00			--



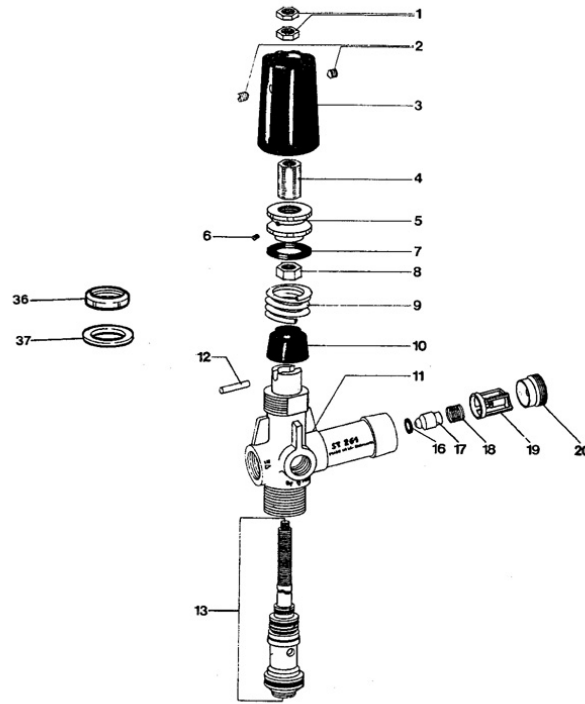
Ref.	K	Part N.	Customer Part N.	Description	Qty	Validity:		Price
						From	To	
0045	S	PVVR00985		HEAD RING W151	3,00			--
0046	S	PVVR34589		INTERMED. RING W 151 D. 20	3,00			--
0047	S	GUVR34587		PACKING D. 20 RESTOP	3,00			--
0051		RCDS01091		CAP 1/2X10 M	1,00			--
0052		VTRS01075		WASHER D.21,5X27 ALL	1,00			--
0053		RCDS01090		CAP 3/8X13 M WW90	1,00			--
0054		VTRS01074		WASHER D.17,05X22,3 X1,5	1,00			--
0056	S	GUVR34585		PACKING W 151 L.P.	3,00			--



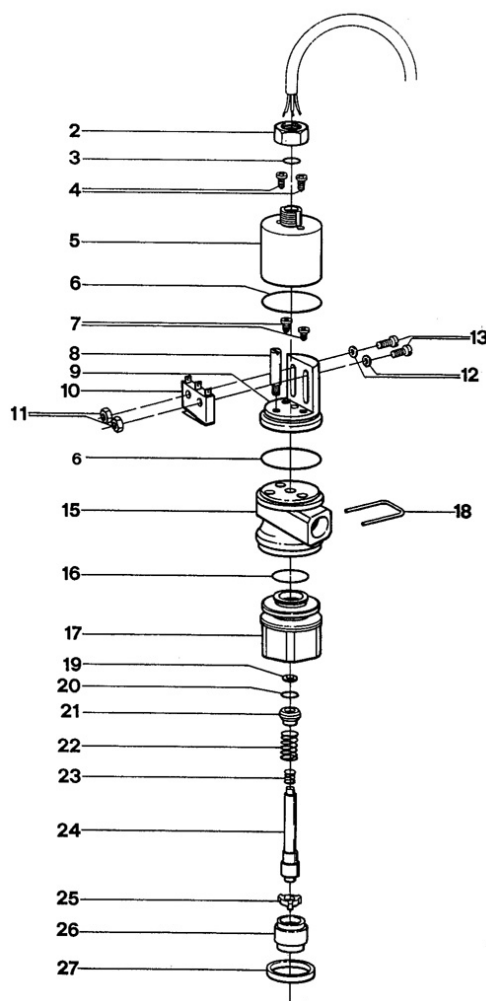
Ref. Part N.	Cust. Part N.	Description	Reference	Price
KTRI14900	KIT P	15- 3	0041	--
KTRI14901	KIT P	10	0042 0043	--
KTRI17793	KIT P	6	0031 0034 0036 0037 0038	--
KTRI17795	KIT P	4	0009 0010	--
KTRI17859	KIT P	1	0011	--
KTRI17860	KIT P	15- 2	0016	--
KTRI18574	KIT P	7	0045	--
KTRI18579	KIT P	28	0042 0043 0044 0045 0046 0047 0056	--



Ref.	K	Part N.	Customer Part N.	Description	Qty	Validity:		Price
						From	To	
0001		VTDD14926		NUT M6X1 UNI5589	2,00			--
0002		VTVT08589		SCREW EI-ST 5X 6	2,00			--
0003		MPVR09436		BLACK KNOB ST 260	1,00			--
0004		PVVR14933		SCREW	1,00			--
0005		VTVT14927		SCREW	1,00			--
0006		VTVT14925		SCREW EI-ST 5X 6 UNI5929	2,00			--
0007		GUVR14928		RING	1,00			--
0008		VTDD14930		NUT M8X1 UNI5588	1,00			--
0009		MLML14929		SPRING D.18X4X28	1,00			--
0010		PVVR16955		SPRING SEAT ST	1,00			--
0011		PVVR16956		VALVE BODY ST 261	1,00			--
0012		PVVR16957		PIN D. 3X13 ST	1,00			--
0013		KTRI16958		KIT P 14- 20	1,00			--
0016	S	GUGO10373		O-RING D. 5 X 2.5 VIT 80SH	1,00			--
0017	S	PVVR08615		VALVE PART	1,00			--
0018	S	MLML08616		SPRING	1,00			--
0019	S	PVVR08617		VALVE CAGE	1,00			--
0020		PVVR08618		NUT	1,00			--
0036		PVVR10580		NUT	1,00			--
0037		VTRS17544		WASHER D.30X41.5X2 ST	1,00			--



Ref. Part N.	Cust. Part N.	Description	Reference	Price
KTRI14653		KIT P 14- 4	0016 0017 0018 0019	--



Ref.	K	Part N.	Customer Part N.	Description	Qty	Validity:		Price
						From	To	
0002		VTDD08624		NUT ST 260	1,00			--
0003		GUGO10373		O-RING D. 5 X 2.5 VIT 80SH	1,00			--
0004		VTVT08630		SCREW TCB 2,9 X 9,5	2,00			--
0005		PVVR08628		COVERING ST 260 S	1,00			--
0006		GUGO08629		O-RING D. 24 X 1.5 NBR 70SH	2,00			--
0007		VTVT08630		SCREW TCB 2,9 X 9,5	2,00			--
0008		PVVR08631		NUT	1,00			--
0009		PVVR08632		COVERING ST 260 M	1,00			--
0010		MECI08633		MICRO-SWITCH ST 261	1,00			--
0011		VTDD08634		NUT M2	1,00			--
0012		VTRS13332		WASHER OTT	2,00			--
0013		VTVT08643		SCREW	2,00			--
0015		PVVR17568		BODY SW 261	1,00			--
0016		GUGO08609		O-RING D. 15 X 1.5 EPDM70SH	1,00			--
0017		PVVR17569		BODY SW 261	1,00			--
0018		VTVR17570		PLUG ST	1,00			--
0019		GUVR13333		ANTI-EXTR.RING	1,00			--
0020		GUGO07014		O-RING D. 3.3 X 2.4 EPDM80SH	1,00			--
0021		PVVR13334		SPACER OTT	1,00			--
0022		MLML13335		SPRING	1,00			--
0023		MLML08639		SPRING	1,00			--
0024		PVVR17571		ROD ST 261	1,00			--
0025		PVVR08641		PIN GUIDE	1,00			--
0026		PVVR17572		SPACER ST	1,00			--
0027		VTRS17573		WASHER ST	1,00			--