



IPC Integrated Professional Cleaning

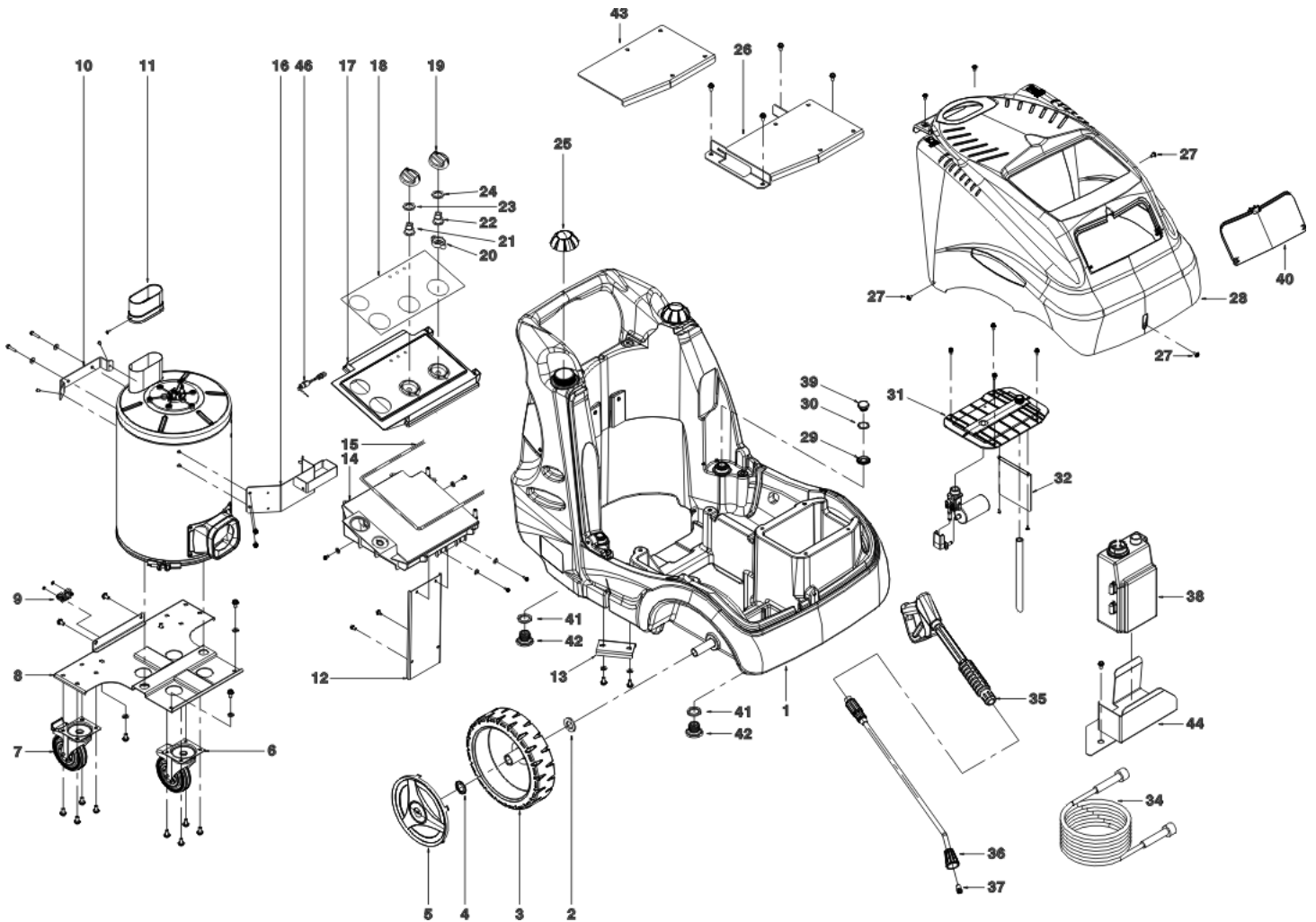
IPC Portotecnica

Spare Parts List

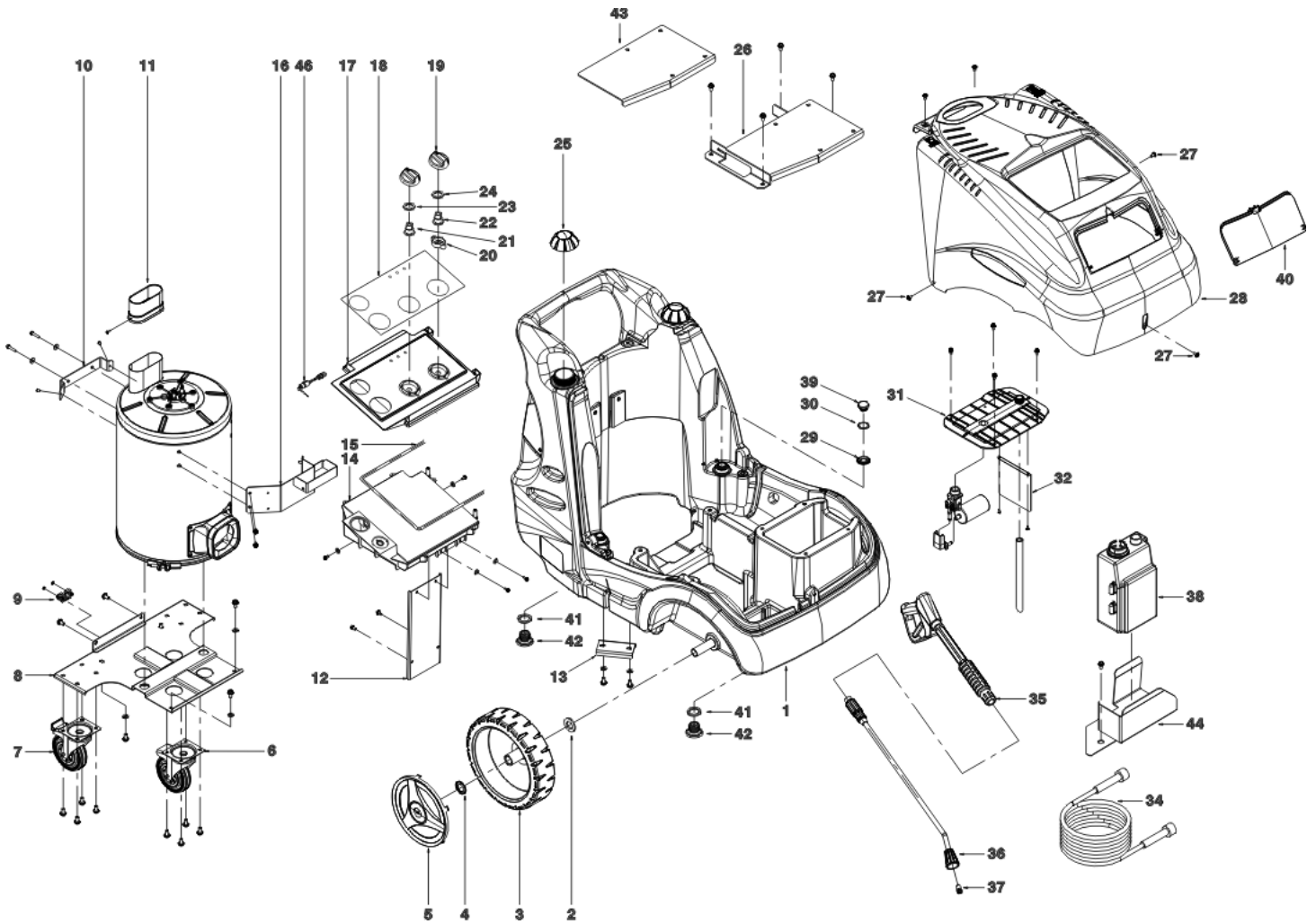
IPF ENGINEERING LTD

Ref: IDAC40305

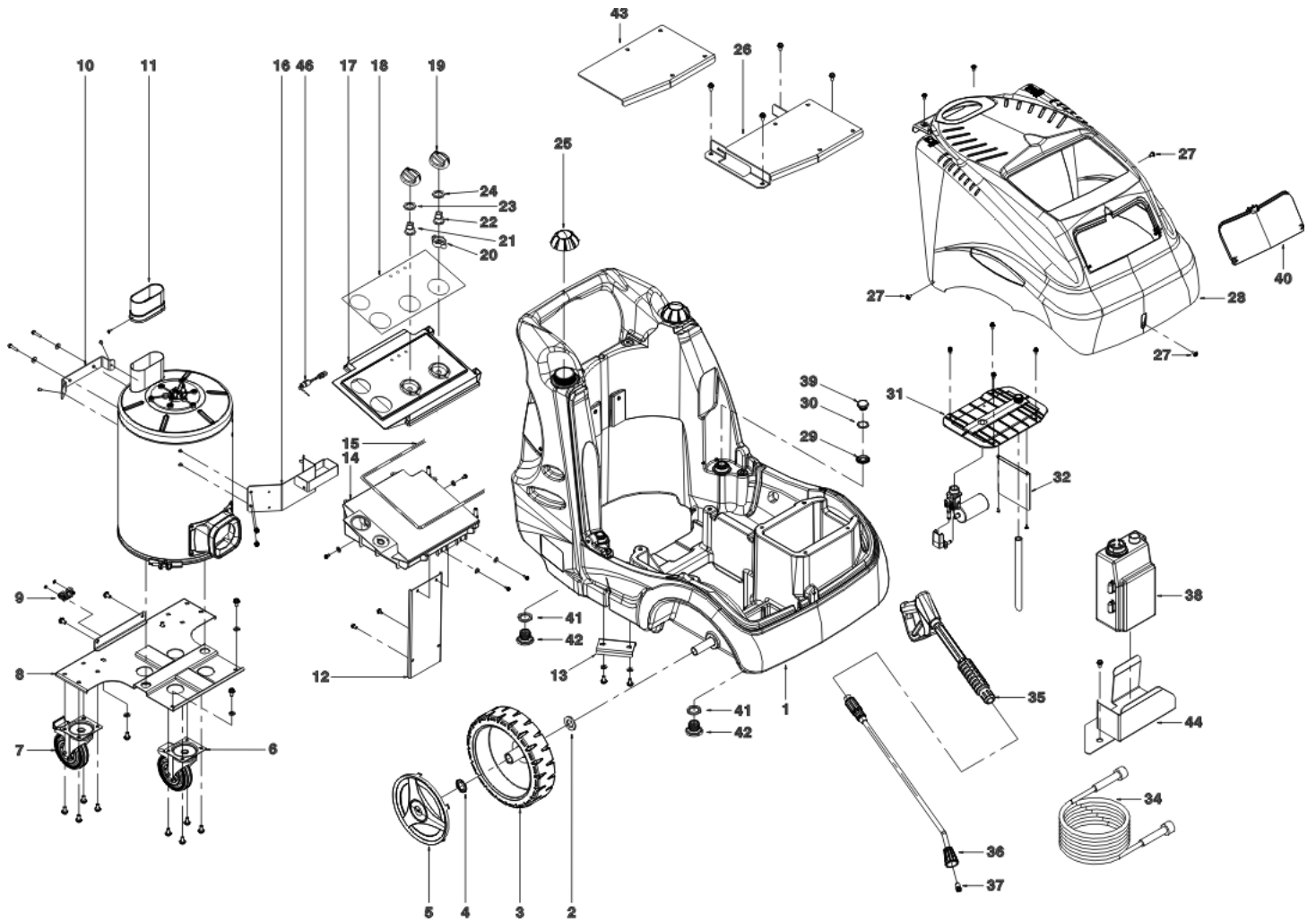
Model: IDROP SYNC DS 2650 T 400/50 3-01IPF



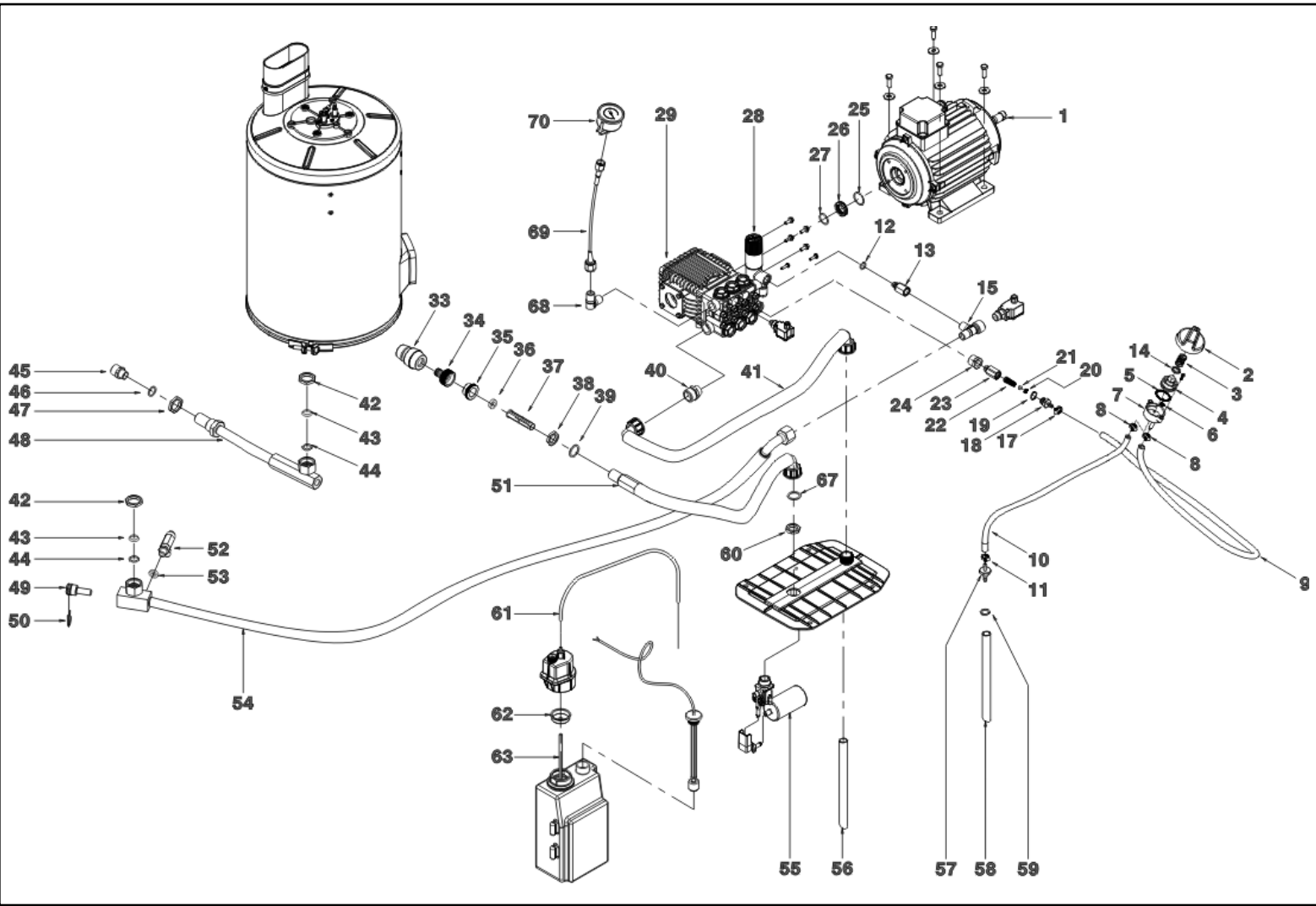
Ref.	K	Part N.	Customer Part N.	Description	Qty	Validity:		Price
						From	To	
0001		MPVR88370		CHASSIS P245 C.SB. PEHD BK.	1,00			--
0002		VTRS73055		WASHER D.44x26x4 ZC U.6592	2,00			--
0003		RTRT45383		WHEEL D.305-D.25 RT-IPC	2,00			--
0004		VTRS09813		WASHER D.25	2,00			--
0005		MPVR45384		RED WHEEL COVER. 305 RT-PRT	2,00			--
0006		RTRT07480		TURNING WHEEL D.125 P. MZ.PLS.	1,00			--
0007		RTRT13708		TURNING WHEEL D.125 P. MZ.PLS	1,00			--
0008		LAFN88413		BRACKET P245 BK.	1,00			--
0009		MEVR33994		CABLE FASTNER 4228 B D. 6- 18	1,00			--
0010		LAFN40301		BRACKET P245/PM BK.	1,00	07/2010		--
0010		LAFN88638		BRACKET P245 BK.	1,00		07/2010	--
0011		LAFN31048		EXTENSION FUT. H.60 INX	1,00	04/2010		--
0011		LAFN43244		CHIMNEY EXTENS.KSM H.70 INX	1,00		03/2010	--
0012		LAFN88407		SUPPORT BRACKETP245 ZC	1,00			--
0013		LAFN88491		REINFORCEMENT P245	2,00			--
0014		MPVR33248		CONTROL BOX MISTRAL PP	1,00			--
0015		GUGO11309		JOINT MOUSSE D. 3	1,20			--
0016		LAFN40225		SUPPORT P245 2V. ZC.	1,00	11/2012		--
0016		LAFN88417		SUPPORT P245 ZC.	1,00		10/2012	--
0017		MPVR40023		BOX COVER MISTRAL C/F.MN.BK	1,00			--
0018		ETET34267		LABEL MST B.P. PVC R	1,00			--
0019		MPVR45423		GREY KNOB P176-M.RACE PA6	2,00		05/2008	--
0019		MPVR89723		GREY KNOB P176-MR C/F.FS.	2,00	05/2008		--
0020		MPVR41903		THICKNESS TERM.IM.PA66	1,00			--
0021		MPVR23484		TAIL PIECE THERM.KSM TUV	1,00			--
0022		MPVR23482		TAIL PIECE TEC. TUV	1,00			--
0023		GUGO23079		V-SEAL RING VA0014 13.5- 15.5	1,00			--
0024		GUGO25527		O-RING D. 14 X 3 NBR 70SH	1,00			--
0025		MPVR45426		TANK CAP P176 PEHD	2,00			--
0026		LAFN88391		MOTOR SUPPORT P245 H.100	1,00			--
0028		MPVR88420		RED COVER P245 ABS	1,00		01/2006	--
0028		MPVR89199		RED COVER P245 PPL	1,00	02/2006		--
0029		GUGO89386		O-RING D. 30 X 5 NBR 70SH	1,00			--
0030		GUGO88371		GASKET D. 14- 24 X 4 70SH	1,00			--
0031		MPVR88418		TANK COVER P245 PA6 BL.	1,00			--
0032		LAFN88405		PANEL P245 INX	1,00			--
0034		TBAP40012		H.P. HOSE R1 MT 10 1/4" C/2 IRV IX	1,00			--
0035		IPPR40016		GRIP G 5000+P.330 +M22 SW.M V2	1,00	04/2014		--
0035		IPPR89429		GRIP G 4500 - P.330 -M22SW.M V	1,00		04/2014	--



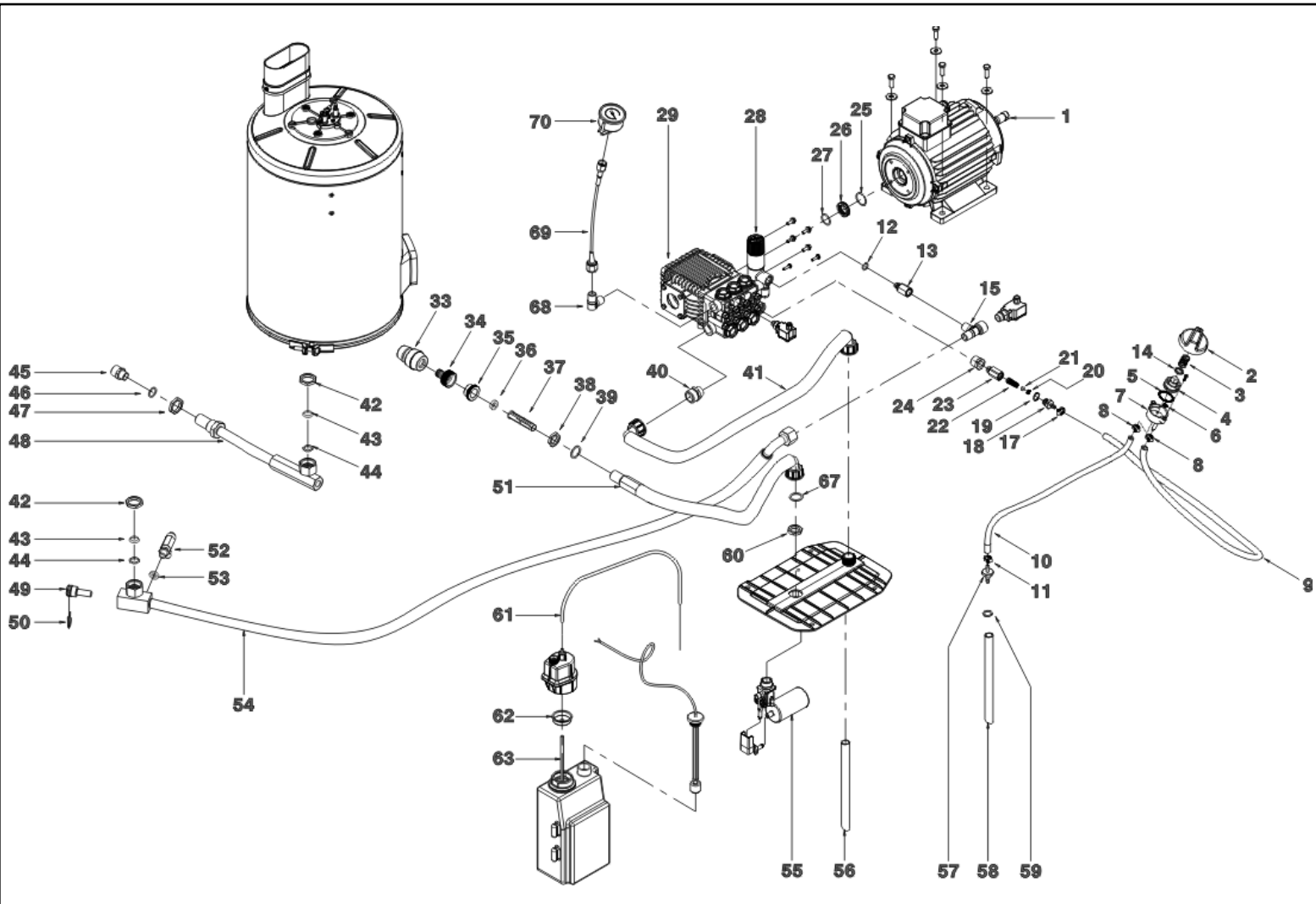
Ref. K	Part N.	Customer Part N.	Description	Qty	Validity:		Price
					From	To	
0036	LCPR12976		EXTENSION P 70	1,00			--
0038	UGLN49987		NOZZLE LECH 1/4 15045	1,00	04/2006		--
0038	MPVR20903		TANK KSM	1,00			--
0039	RCDS40048		CAP M42X 2 F PVC	1,00	01/2009		--
0039	RCVR88385		CAP 1"1/4 M ZINC.	1,00		12/2008	--
0040	MPVR89194		RED THROTTLE P245 PPL	1,00	02/2006		--
0041	GUGO74674		O-RING D. 34.52 X 3.53 NBR 70SH	3,00			--
0042	RCDS88468		CAP 3/4 M E.I. CH.6 H.24 P245	3,00			--
0043	LAFN40012		BRACKET P176 ZC.	1,00	09/2006		--
0044	LAFN40126		SUPPORT BRACKETP245/40M ZC.	1,00	01/2009		--
0046	MEVR27264		FUSE-HOLDER 031-1081	1,00			--



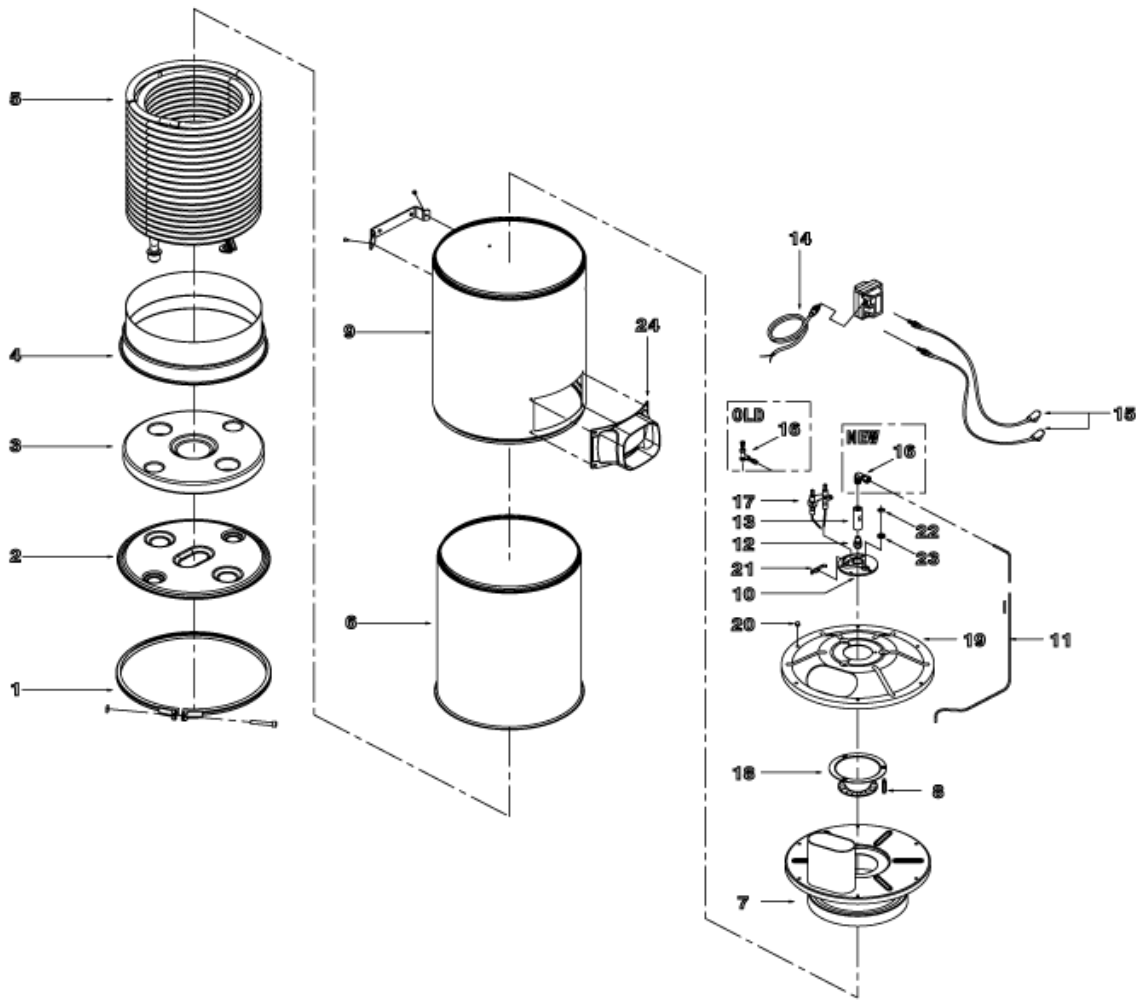
Ref. Part N.	Cust. Part N.	Description	Reference	Price
0055	KTRI40069	KIT PX 1- 42 HOSE 3/8 P245	0055 0055 0055 0055 0055	--



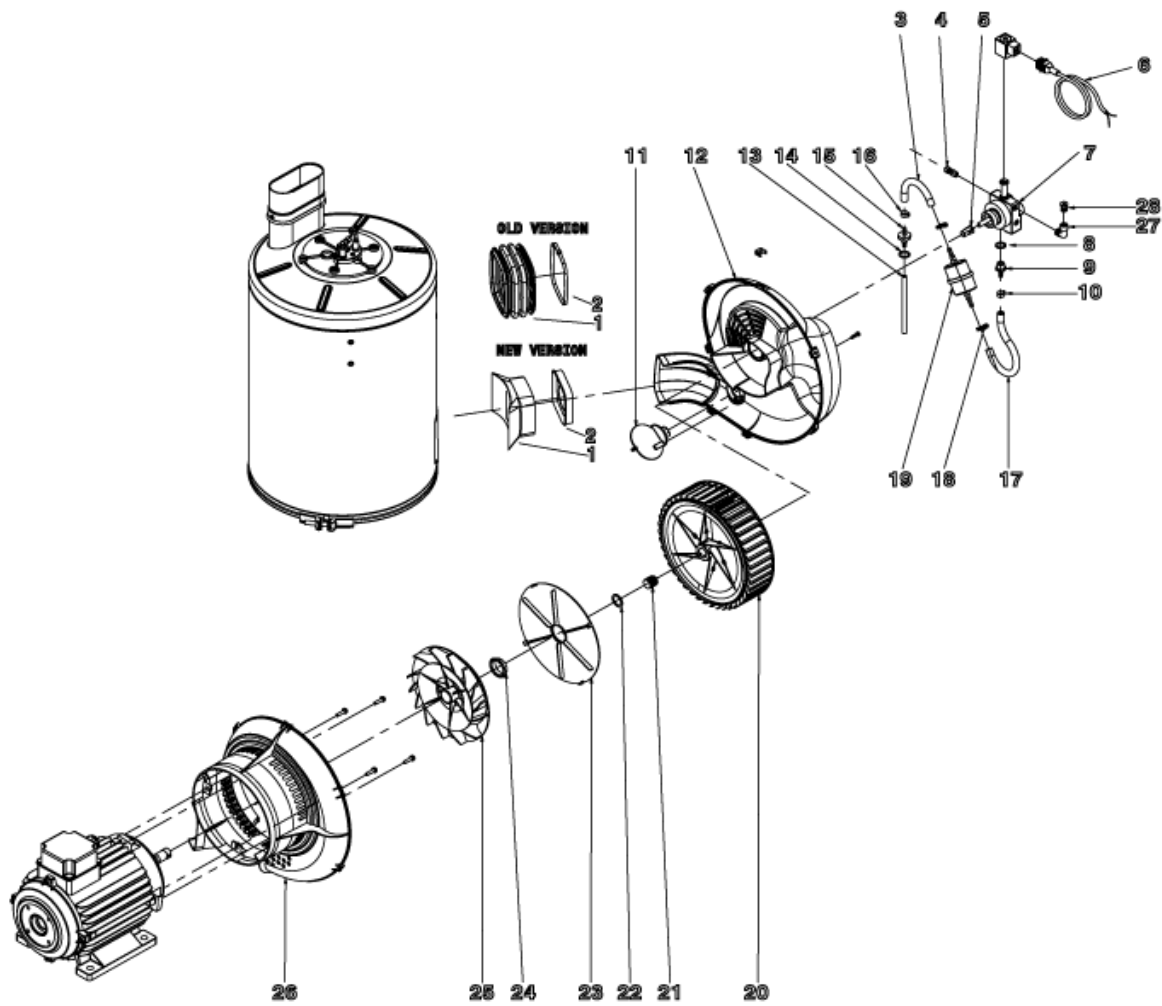
Ref.	K	Part N.	Customer Part N.	Description	Qty	Validity:		Price
						From	To	
0001		MOTR40010		3PH MOTOR P245 HP 6 400-504P H100E	1,00	04/2011		--
0001		MOTR88363		3PH MOTOR P245 HP 6 400-504P H100	1,00		04/2011	--
0002		MPVR45423		GREY KNOB P176-M.RACE PA6	1,00		05/2008	--
0002		MPVR89723		GREY KNOB P176-MR C/F.FS.	1,00	05/2008		--
0003		MLML08068		SPRING D.1,5 L.23	1,00			--
0004		RCGR08070		ADJUSTER PRT	1,00			--
0005		GUGO12183		O-RING D. 23.4 X 3.53 VIT 70SH	1,00			--
0006		GUGO08071		O-RING D. 4.48 X 1.78 NBR 70SH	1,00			--
0007		RCGR08069		TAP BODY DET. PRT	1,00			--
0008		FSVR00427		CLAMP D. 12 CLIC 66-110	2,00			--
0009		TBBP00051		DETERGENT HOSE D. 6-12	0,60			--
0010		TBBP00051		DETERGENT HOSE D. 6-12	0,70			--
0011		FSVR00427		CLAMP D. 12 CLIC 66-110	1,00			--
0012		GUGO03507		O-RING D. 13.95 X 2.62 VIT 70SH	1,00			--
0013		RCDS19348		CONNECTOR 3/8M-F D.3 L=45	1,00			--
0014		VTRS00542		WASHER D.14X20	1,00			--
0015		RCVR88378		CONNECTOR A T 3/8M 1/4F 3/8M-OT	1,00			--
0017		FSVR11197		CLAMP D.I. 11 13315	1,00			--
0018		RCDS10546		VALVE SEAT 1/4M + PG. D.3-7.5 OTT	1,00	05/2010		--
0019		GUGO01036		O-RING D. 10.82 X 1.78 NBR 70SH	1,00	05/2010		--
0020		GUGO01055		O-RING D. 5.28 X 1.78 VIT 70SH	1,00	05/2010		--
0021		SFVR04274		BALL D. 7/32	1,00	05/2010		--
0022		MLML21505		SPRING D. 8 X5 X0.3	1,00	05/2010		--
0023		RCDS46072		VALVE BODY N/R 1/4F-1/4 P176 OT	1,00	05/2010		--
0024		RCVR02606		REDUCTION 1/2-1/4 M/F	1,00			--
0025		GUGO21339		O-RING D. 29.82 X 2.62 VIT 70SH	1,00			--
0026		RCDS25578		BUSHING IP WW141 OT.	1,00			--
0027		GUGO21337		O-RING D. 25.07 X 2.62 VIT 70SH	1,00			--
0028		PVVR18673		KNOB COLT	1,00			--
0028		RCDS21788		RING NUT M 28 X 1.5 L=16	1,00			--
0028		VTDD21787		NUT M28X1.5 L=5	1,00			--
0029		PPAP45416		PUMP "63" EL1714V DX T.OT.H DS	1,00			--
0033		RCVR29602		CONNECTOR D. 1/2"-5/8" PTC	1,00	06/2011		--
0034		RCVR29600		SOCKET PTC 3/4 F	1,00	06/2011		--
0035		RCVR37806		REDUCTION PTC 3/4-1/2 M/F	1,00	06/2011		--
0036		GUGO37736		GASKET D. 10- 19 X 5 70SH	1,00	06/2011		--
0037		FTAC30214		FILTER D.15X67	1,00	06/2011		--
0038		RCDS49875		RING NUT 1/2"X 6 CH.27 OT.	1,00			--
0039		VTRS00549		WASHER D.21,5X27X1.5 (1/2) RM	1,00			--



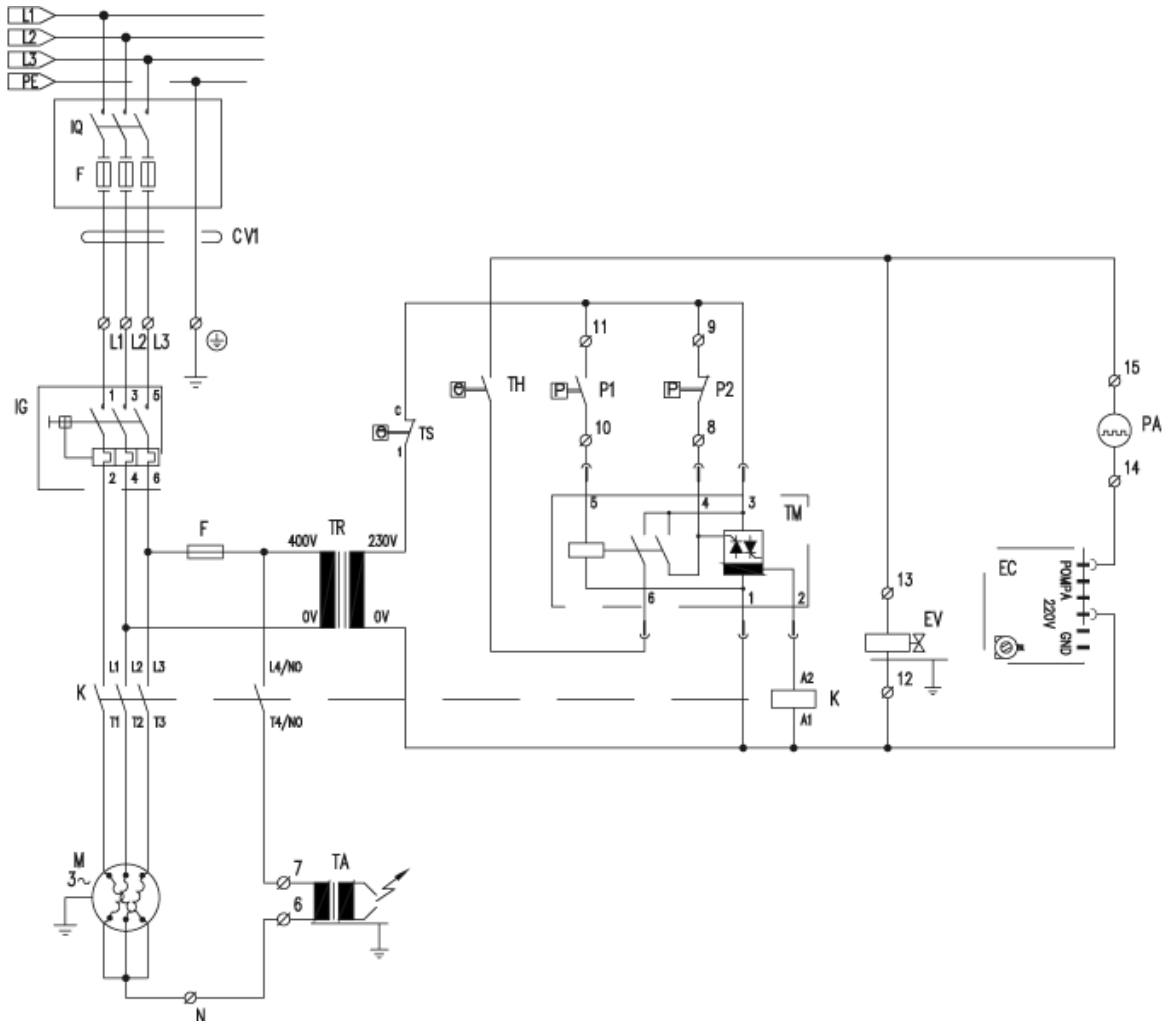
Ref.	K	Part N.	Customer Part N.	Description	Qty	Validity:		Price
						From	To	
0040		RCDS88746		NIPPLE 3/4 - 1/2 CB D. 8.0	1,00			--
0041		TBBP88382		L.P. HOSE L=650 3/4F90° -3/4F90°	1,00			--
0043		GUVR21021		ANTI-EXTR.RING D. 21 X17 TEF.	2,00			--
0044		GUGO21222		O-RING D. 15.54 X 2.62 VIT 80SH	2,00			--
0045		RCIN09348		MALE COUPLING 3/8MA L=32	1,00			--
0048	S	RCDS40045		CONNECTOR G 3/8F -1/4 +M14X1 C.27	1,00	03/2009		--
0048	S	RCDS40041		CONNECTOR L=216 2X3/8M CN. ZC.	1,00	03/2009		--
0048	S	RCDS40043		CONNECTOR G 3/8F -3/8F CH.30	1,00	03/2009		--
0048	S	RCDS21118		CONNECTOR KSM	1,00	03/2009		--
0048	S	RCDS21119		NUT KSM	1,00	03/2009		--
0048		TBAP88380		HOSE-FITTING 3/ 8 R2 L=255 M26+3/8F-P.	1,00		02/2009	--
0049		RCDS00593		SUMP IM 0-120 L=50	1,00			--
0050		MLML02623		SPRING IMT	1,00			--
0051		TBBP88381		L.P. HOSE L=1150 3/4F90°-1/2M JM	1,00			--
0052		VVSC39719		VALVE MG 2000 G1/4M 150B MIGNON	1,00		11/2004	--
0052		VVSC47427		VALVE MG 1000 G1/4M-M D.8 250B	1,00	11/2004		--
0053		VTRS40960		WASHER D.13.5X19 X4 AL.	1,00			--
0054		TBAP88379		HOSE-FITTING 3/ 8 R2 L=900 3/8F90-PM26	1,00			--
0055		RCGR89343		FLOATER MTM 3/4 PP. S/F. +ADP.245	1,00			--
0056		TBBP88372		L.P. HOSE D. 16- 20 L= 260 P245	1,00			--
0057		RCDS88373		HOSE FITTING 1/8 M D. 3- 7	1,00			--
0058		TBBP15347		L.P. HOSE D. 6- 8 RILSAN NT.	0,13			--
0059		GUGO01054		O-RING D. 15.08 X 2.62 NBR 70SH	1,00			--
0060		RCVR49974		RING NUT 3/4" X 4 NIK	1,00			--
0061		TBBP00058		L.P. HOSE D. 4- 7	1,00	02/2014		--
0062		MPVR20904		CAP KSM	1,00		11/2013	--
0062		MPVR40588		CAP KSM +F.	1,00	12/2013		--
0063		TBBP00058		L.P. HOSE D. 4- 7	0,23			--
0064		TBBP00058		L.P. HOSE D. 4- 7	0,60		01/2009	--
0067		GUGO89255		GASKET D. 17.5-24 X 2 EPDM	1,00	06/2005		--
0068		RCVR62671		ELBOW 3/8"-1/4" M A.P. OT.MTM	1,00	06/2008		--
0069		TBAP40006		POLYAMIDE HOSE L=420 1/4 F-F	1,00	06/2008		--
0070		MNMN49621		PRESSURE GAUGE 0-250 D.50 INOX	1,00	06/2008		--



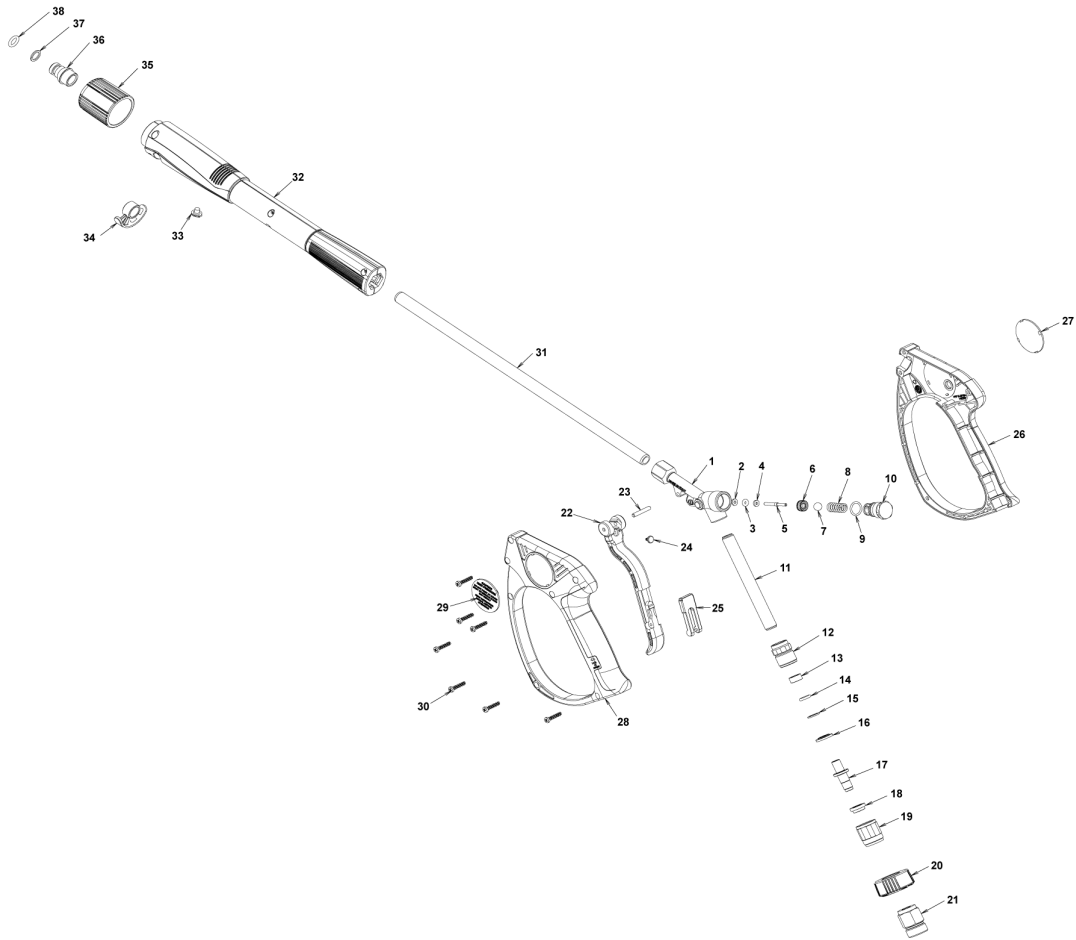
Ref.	K	Part N.	Customer Part N.	Description	Qty	Validity:		Price
						From	To	
0001		LAFN40037		RING D.342 P176 ZN 2V.CPL.	1,00			--
0002		LAFN44149		BOILER BOTTOM P176	1,00			--
0003		ITTE44175		BOTTOM P176 C.TE	1,00			--
0004		LAFN44151		BAND P176 INX	1,00			--
0005		LAGR44156		DOUBLE COIL M26X1.5 P176 24MT GRZ	1,00			--
0006		LASL40101		INT. CYLINDER PM INX	1,00			--
0007		LAFN40269		BOILER COVER SIPM INX	1,00			--
0008		LAFN40271		PIN CH.10 X 67.7 M5M/M5M PM	3,00			--
0009		LAFN40274		EXT. CYLINDER PM-176 INX	1,00			--
0010		MFVR18226		ELECTR.HOLDER FUT 3°V	1,00			--
0011		TBCO40041		DIESEL HOSE P176 30MT D. 4 IX	1,00	07/2014		--
0011		TBCO46140		DIESEL HOSE P176 30MT D. 4	1,00		07/2014	--
0012		UGBR22576		BURNER NOZZLE 1.35 60 S	1,00			--
0013		RCDS07642		NOZZLE HOLDER FUT	1,00			--
0014		MECB34463		CABLE BT L=800 SP.	1,00			--
0015		MECV35334		CABLE A.T. 9,8-23KOHM/M L= 400P	2,00			--
0016		RCVR08954		ELBOW 1/8"-4 B5	1,00		06/2013	--
0016		RCVR14014		BI-CONE CONNec.DTT 1/8"M B1 D. 2/ 4 NIK	1,00	07/2013	10/2013	--
0016		RCVR40126		BI-CONE CONNec.T 1/8"M/F D. 4/ 6C NK.	1,00	11/2013		--
0016		RCVR72867		CONNECTOR "A" T" 1/8" FFM	1,00	07/2013	10/2013	--
0016		RCVR89230		CAP G 1/8 M C/O-RING.	1,00	07/2013		--
0017		MECA12525		ELECTRODE FUT	1,00			--
0018		LAFN08042		BAFFLE FUT	1,00		05/2010	--
0018		LAFN44244		BAFFLE P176 30M INX	1,00	06/2010		--
0018		LAFN44244		BAFFLE P176 30M INX	1,00		02/2010	--
0019		LAFN40270		BOILER COVER SEPM INX	1,00			--
0020		VTDD05907		NUT M 6 CIE.	3,00			--
0021		LAFN07641		PLATE INX	1,00			--
0022		VTAE22633		SEEGER 0.4 X18,30X10,5	1,00			--
0023		MPVR18228		OIL WARN-LIGHT D.17 X3	1,00			--
0024		MPVR88426		CONVEYOR P190 PA6 BK.	1,00	01/2010		--



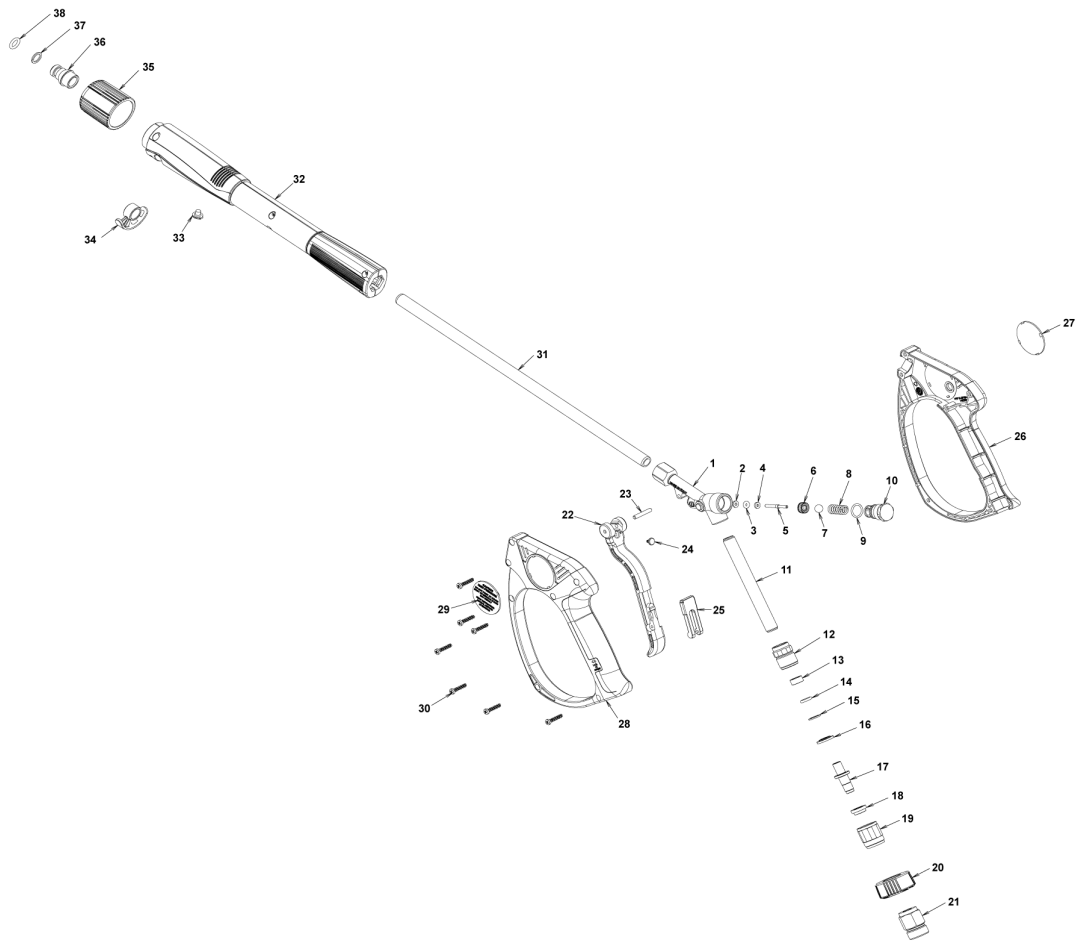
Ref.	K	Part N.	Customer Part N.	Description	Qty	Validity:		Price
						From	To	
0001		MPVR44176		SLEEVE P176 H= 50	1,00		06/2006	--
0002		FSVR01873		CLAMP LG 31920 9 X500	1,00		06/2006	--
0002		GUGO88425		GASKET P245 EPDM	1,00	06/2006		--
0003		TBCO06945		L.P. HOSE D. 6-12 10BAR C.PRESS	0,20			--
0004		RCVR14014		BI-CONE CONNEC.DTT 1/8" M B1 D. 2/ 4 NIK	1,00			--
0005		FGGT36513		JOINT HP 0.25 AACO	1,00			--
0006		MECB46130		CABLE DLT L=1100	1,00			--
0007		FTCO88927		FUEL FILTER S.AL	1,00			--
0007		PPGS40004		FUEL PUMP DNF BFA 01R5L1	1,00	05/2010		--
0007		PPGS47394		FUEL PUMP DLT VM2RR15	1,00		12/2004	--
0007		PPGS49454		FUEL PUMP DLT ALLUM. A2R1	1,00	01/2005	04/2010	--
0008		VTRS04931		WASHER COPPER D.13X19X1.5	1,00			--
0009		RCDS00626		HOSE FITTING 1/4 M D. 5- 7	1,00			--
0010		FSVR00427		CLAMP D. 12 CLIC 66-110	1,00			--
0011		MPVR45445		BUTTERFLY VALVE P176 PP	1,00			--
0012		MPVR45489		VENTILATOR COV.P176 ABS	1,00			--
0013		TBBP15347		L.P. HOSE D. 6- 8 RILSAN NT.	0,13			--
0014		GUGO01054		O-RING D. 15.08 X 2.62 NBR 70SH	1,00			--
0015		RCDS88373		HOSE FITTING 1/8 M D. 3- 7	1,00			--
0016		FSVR11197		CLAMP D.I. 11 13315	1,00			--
0017		TBCO06945		L.P. HOSE D. 6-12 10BAR C.PRESS	0,90			--
0018		FSVR11197		CLAMP D.I. 11 13315	2,00			--
0019		FTCO34840		FUEL FILTER FB 7/A NYL.	1,00		04/2010	--
0019		FTCO40003		FUEL FILTER FB 7/TA 60mc NYL.	1,00	04/2010		--
0020		VEVR88781		IMPELLER P176 D.240 43P. 2V. PA6	1,00			--
0021		VTVR45002		BUSHING D. 17-19X19 CPS.	1,00			--
0022		VTRS49164		WASHER D.19 X26 X1 FE	1,00			--
0023		MPVR45444		SEPARATOR P176 ABS	1,00			--
0024		LAFN45783		BUSHING D. 30 P176	1,00			--
0025		VEVR45443		MOTOR FAN P176 H 100	1,00			--
0026		MPVR45488		SCROLL BODY P176 PP	1,00			--
9999		VTAE33647		CIRCLIP D. 19 UNI 7435	1,00			--



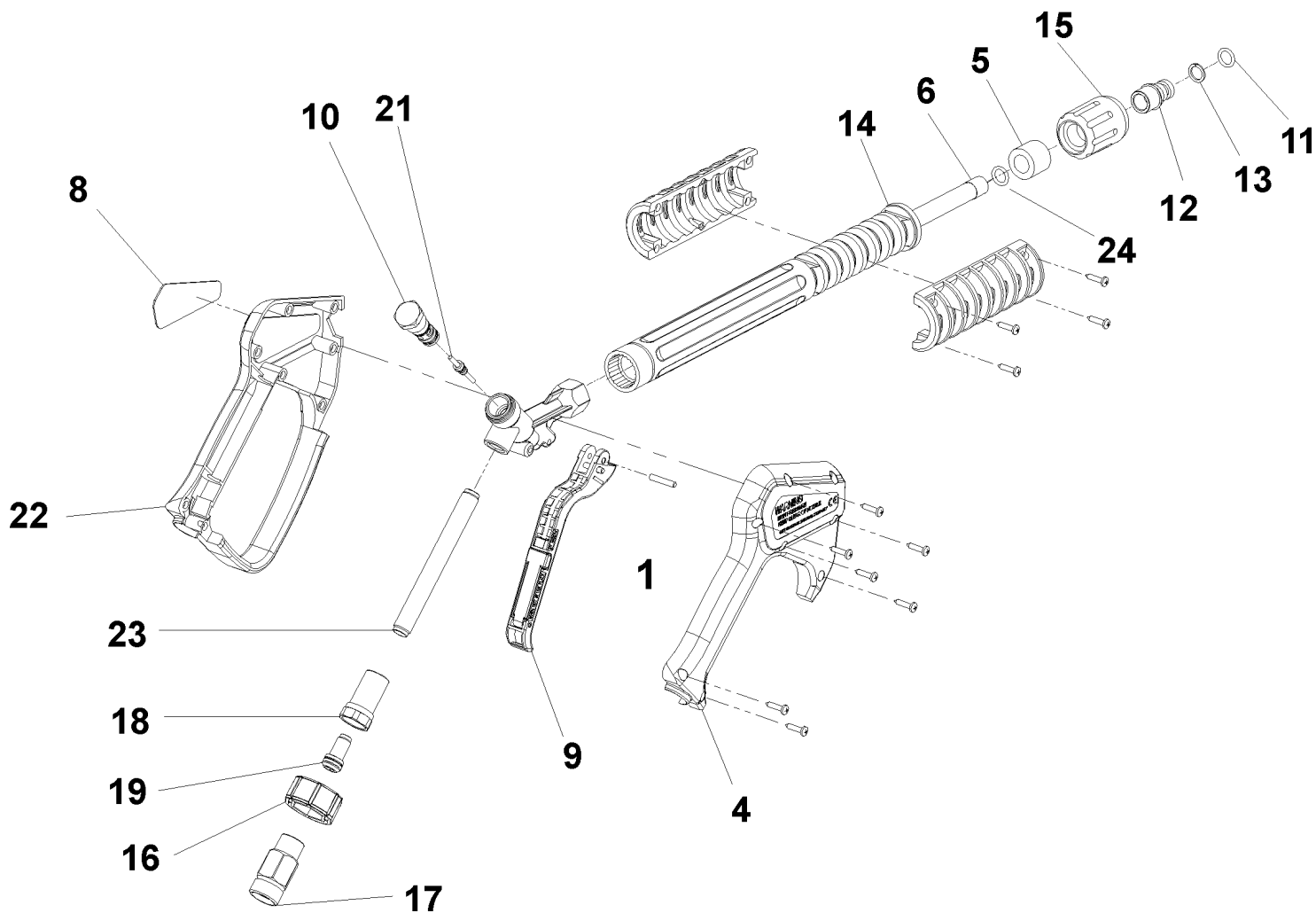
Ref.	K	Part N.	Customer Part N.	Description	Qty	Validity:		Price
						From	To	
F		MEVR00237		FUSE 5X20 3,15A	1,00			--
K		METT40012		CONTACTOR SIE 3RT 2017-1AP01 230V	1,00	11/2014		--
EC		MECE21631		PCB D.NM1 220V	1,00			--
EV		MEBE18120		COIL DLT 220-50 S/CV.	1,00		12/2004	--
EV		MEBE43705		COIL DNF 220-50	1,00	05/2010		--
EV		MEBE49881		COIL DLT 220-50 NF84	1,00	01/2005	04/2010	--
IG		MECI08294		SWITCH O.K.N. 10-16 A	1,00			--
P1		MEPF39902		PRESSURE SWITCHMTM 1/4M NA/NC 25B. MICRO	1,00		12/2012	--
P1		MEPF40017		PRESSURE SWITCHPR 5 1/4M 25BAR L.1300	1,00	01/2013		--
P2		MEPF40015		PRESSURE SWITCHPR 5 3/8M 25BAR L.1300	1,00	01/2013		--
P2		MEPF45229		PRESSURE SWITCHMTM 3/8M NA/NC 25B. MICRO	1,00		12/2012	--
PA		MEPD22718		DESCALING PUMP NME-1 220V CPL.	1,00			--
RT		METT42873		CONTACTOR SIE 3RT 1017 1AN21 220V	1,00		11/2014	--
TA		METR88630		TRANSFORMER 23/240V-5/60HZ 2X26KV TR.	1,00			--
TH		METK19354		THERMOSTAT 0-150° L=1500	1,00		12/2010	--
TH		METK40006		THERMOSTAT 0-150° L=1500 S&R	1,00	12/2010	12/2012	--
TH		METK40011		THERMOSTAT 0-150° L=1500 F&C	1,00	01/2013		--
TM		METY42780		TIMER THV/2+RL.15-250V 5/60 30S	1,00			--
TR		METR43881		TRANSFORMER 35VA 400/230V 50/60HZ	1,00			--
TS		METK34839		THERMOSTAT 60°C TR/711-N C.1.5	1,00			--
CV1		MECB10518		CABLE H07 RNF 4X1.5 L=6.500	1,00			--
CV1		MEVR09422		PLUG WMX 3P+N+T 16A 380V	1,00			--



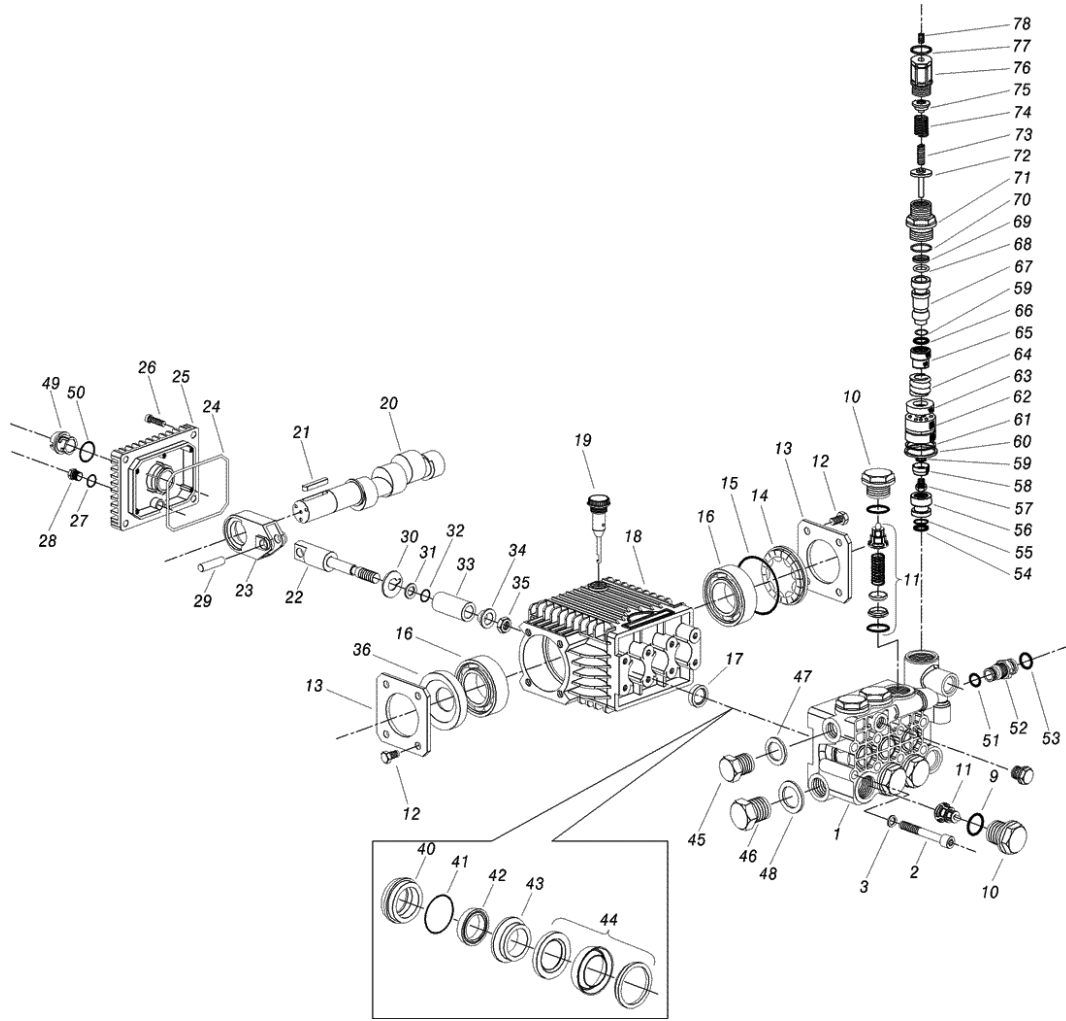
Ref.	K	Part N.	Customer Part N.	Description	Qty	Validity: From	To	Price
0001		PVVR40402		GUN BODY G5000-V/2 G1/4F	1,00			--
0002	S	GUGO17952		O-RING D. 2.84 X 2.62 NBR 70SH	1,00			--
0003	S	GUGO21835		O-RING D. 2.84 X 2.62 VIT. 80SH	1,00			--
0004	S	VTRS40024		WASHER D. 3 X 7 X1,5 OT	1,00			--
0005	S	PVVR40404		SMALL PISTON G5000-V/2	1,00			--
0006	S	PVVR40112		BALL SEAT G 5000	1,00			--
0007	S	SFVR06779		BALL INOX 11/32	1,00			--
0008		MLML40016		SPRING D. 9.4 x21.5x1.6 G5000	1,00			--
0009	S	GUGO21841		O-RING D. 12.42 X 1.78 NBR 90SH	1,00			--
0010		PVVR40113		CAP G 5000	1,00			--
0011		PVVR40405		TUBE G 1/4" L.115	1,00			--
0012		RCIN40024		CONNECTOR SWIV G5000-V/2 1/4F	1,00			--
0013	S	PVVR40406		BUSHING G5000-V/2	1,00			--
0014	S	PVVR40403		RING SW. G5000-V/2	1,00			--
0015	S	GUVR40081		ANTI-EXTR.RING D.9 X13.2X1.2	1,00			--
0016	S	PVVR40407		SPACER G5000-V/2	1,00			--
0017	S	PVVR40408		PIN G5000-V/2	1,00			--
0018	S	PVVR40409		BUSHING C/GRAD. G5000-V/2	1,00			--
0019		PVVR40410		NIPPLE G5000-V/2	1,00			--
0020		PVVR40411		KNOB SWIVEL G5000-V/2	1,00			--
0021		RCIN40025		CONNECTOR SWIV G5000-V/2 M22	1,00			--
0022	S	MPVR40628		TRIGGER G5000-V/2	1,00			--
0023	S	VTVR40008		PLUG D. 3 G5000	1,00			--
0024	S	PVVR45053		PAWL G 2100 INX	1,00			--
0025	S	MPVR40629		SAFETY-DEVICE G 5000-SW	1,00			--
0026		MPVR40630		SHELL G5000-V/2 DX	1,00			--
0027		MPVR40631		PLATE G5000-V/2	1,00			--
0028		MPVR40632		SHELL G5000-V/2 SX	1,00			--
0029		MPVR40633		PLATE G5000-V/2 SX	1,00			--
0030		VTVT62984		SCREW TC-CR M 4.2 X19 ZN	7,00			--
0031		LCPR40015		TUBE 1/4 L=370 ZC. 0°	1,00			--
0032		MPVR40195		PROTECTION P 370 MV	1,00			--
0033		MPVR40198		CAP G 5000	1,00			--
0034		MPVR40197		CAP G 5000 FIX.	1,00			--
0035		PVVR40119		CONNECTION M22X1,5 IRV G5000	1,00			--
0036		RCIN40009		GUDGEON G 1/4 F IRV G5000	1,00			--
0037		GUVR40034		ANTI-EXTR.RING D. 10 X14	1,00			--
0038		GUGO40055		O-RING D. 2.62 X 9.19 - VITON	1,00			--



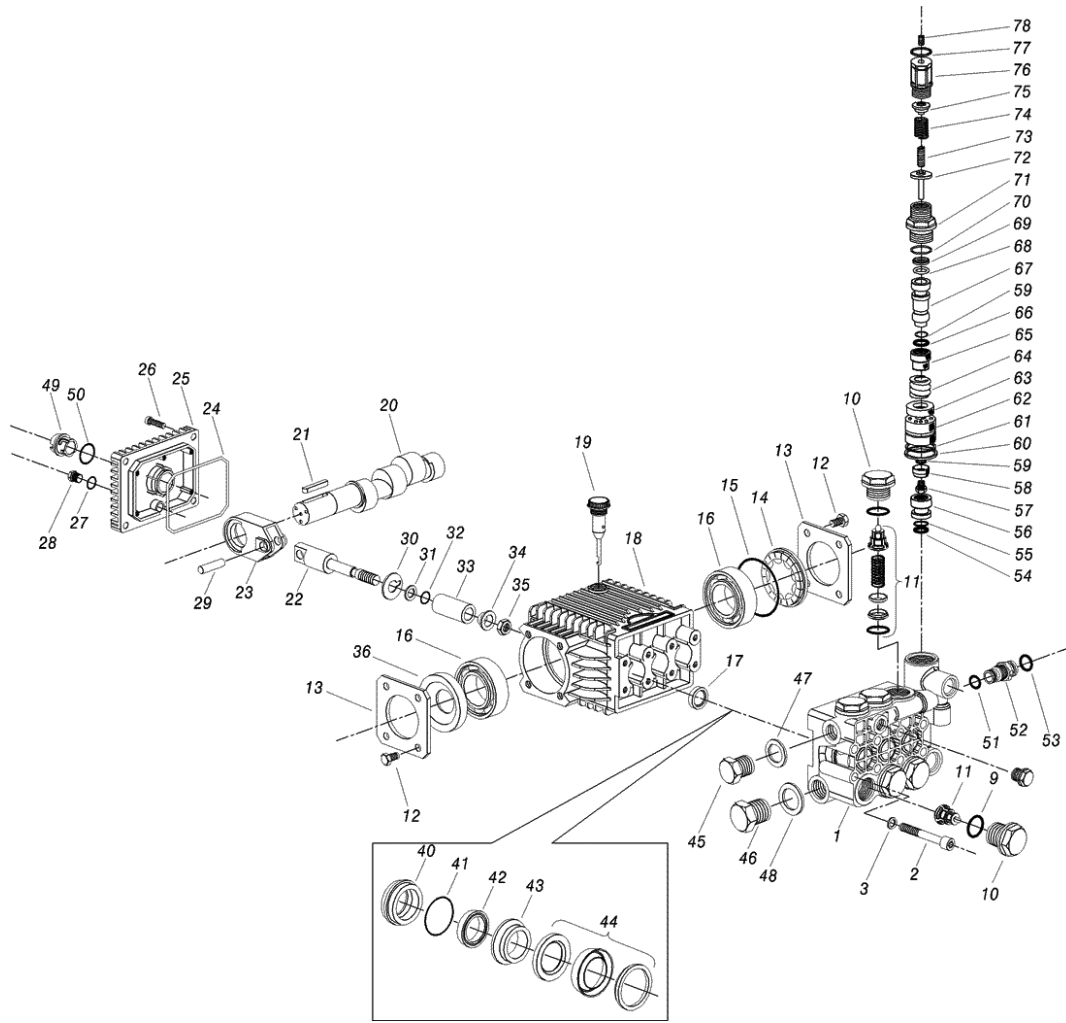
Ref. Part N.	Cust. Part N.	Description	Reference	Price
KTRI40285	KIT P	26- 27 SWIVEL G5000-V/2	0013 0014 0015 0016 0017 0018	--
KTRI40286	KIT P	26- 28 LEVA G5000-V/2	0022 0023 0024 0025	--
KTRI40287	KIT P	26- 29 OR SEDE G5000-V/2	0002 0003 0004 0005 0006 0007 0009	--



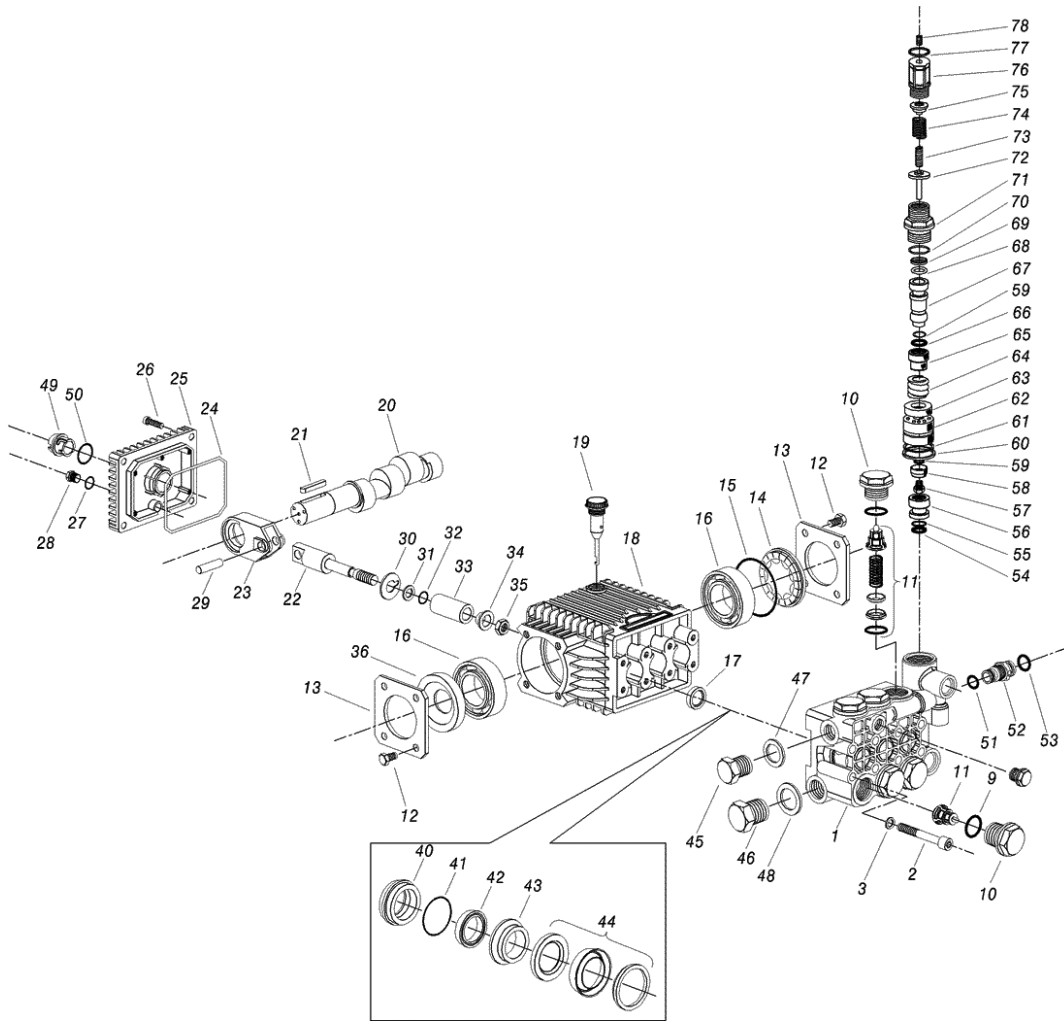
Ref.	K	Part N.	Customer Part N.	Description	Qty	Validity:		Price
						From	To	
0001		VTVR46568		PLUG G 4500	1,00			--
0004		MPVR40157		COVER G 4500 2V.	1,00	05/2008		--
0004		MPVR46563		COVER G 4500	1,00		04/2008	--
0005		MPVR46572		SPACER P 330 ST	1,00			--
0006		LCPR40007		TUBE 1/4 L=352 ZC. 2V.	1,00	05/2008		--
0006		LCPR46571		TUBE 1/4 L=352 ZC.	1,00		04/2008	--
0008		MPVR46569		PLATE G 4500 RD.	1,00			--
0009		MPVR40057		TRIGGER G 4500 -SW	1,00			--
0010		PVVR40030		SMALL PISTON TM ST-2300	1,00			--
0011		GUGO10384		O-RING D. 10 X 2.2 VIT 80SH	1,00			--
0012		RCVR13030		GUDGEON G 1/4 F L=31.5	1,00			--
0013		GUVR10526		ANTI-EXTR.RING D.13.9X10.2 C.BZ	1,00			--
0014		MPVR46570		PROTECTION P 330 ST	1,00			--
0015		PVVR13445		CONNECTION M 22X1.5 L=45	1,00			--
0016		MPVR40058		RING NUT G4500 SW.	1,00			--
0017		RCIN40001		JOINT SWIV 4500 3/8"F	1,00		04/2008	--
0017		RCIN40005		JOINT SWIV 4500 3/8"F 2V.	1,00	05/2008		--
0018		RCIN31641		CONNECTOR SWIV 1500 F	1,00			--
0019		KTRI31645		KIT P 26- 14	1,00			--
0021		PVVR40031		ROD ST-2300	1,00			--
0022		MPVR40156		SHELL G 4500 2V.	1,00	05/2008		--
0022		MPVR46562		SHELL G 4500	1,00		04/2008	--
0023		PVVR40023		TUBE G 1/4" M/M P/SW.	1,00			--
0024		GUGO27021		O-RING D. 11 X 2.5 EPD 70SH	1,00	05/2008		--



Ref.	K	Part N.	Customer Part N.	Description	Qty	Validity:		Price
						From	To	
0001		MFVR46813		HEAD "63" D.18 V.INT.TS OT	1,00			--
0002		VTVT46018		SCREW TCEI M 8X 65 UNI 5931 TRP	8,00			--
0003		VTRS14242		WASHER D. 8.4X13X0.8 UNI7064 SCH	8,00			--
0009	S	GUGO19395		O-RING D. 20.24 X 2.62 NBR 70SH	6,00			--
0010	S	RCDS28466		CAP M24X1.5X17 "44"	6,00			--
0011	S	VVAM28467		VALVE UNIT "44" WW136-186	6,00			--
0012		VTVT01109		SCREW TE M 6X 10 ZC. UNI 5739	8,00			--
0013		MFVR03562		CRANKASE COVER W 70	2,00			--
0014		MFVR28454		SPACER "44"	1,00			--
0015		GUGO01040		O-RING D. 55.56 X 3.53 NBR 70SH	1,00			--
0016		CUVR09654		BALL BEARING 6305	2,00			--
0017	S	GUGO46019		OIL SEAL 18X 26X 6 -L.CM -NBR70SH	3,00			--
0018		MFVR46020		PUMP CRANKCASE "63"	1,00			--
0019		PVVR01089		OIL DIPSTICK W 70	1,00			--
0020		ALMO46815		SHAFT "63" N C.13 D.24	1,00			--
0021		VTVR45821		KEY 8X 7X22 UNI 6604	1,00			--
0022		PVVR46022		PISTON GUIDE "63"	3,00			--
0023		BLVR46023		CONNECTING ROD "63"	3,00			--
0024		GUGO18695		O-RING D. 101.27 X 2.62 NBR 70SH	1,00			--
0025		MFVR46024		CRANKASE COVER "63"	1,00			--
0026		VTVT01114		SCREW TCEI 6X14 UNI 5931	4,00			--
0027		GUGO01036		O-RING D. 10.82 X 1.78 NBR 70SH	1,00			--
0028		RCDS01088		CAP 1/4X 9 M WW90	2,00			--
0029		PVVR46025		GUDGEON D. 9X27,5 "63"	3,00			--
0030		VTRS46026		WASHER D. 9X25X0,5 "63"	3,00			--
0031		GUVR10257		ANTI-EXTR.RING WW161	3,00			--
0032		GUGO10464		O-RING D. 5.28 X 1.78 NBR 70SH	3,00			--
0033		PIVR28455		PISTON D.18 "44"	3,00			--
0034		VTRS46027		WASHER D. 8 C/CLL.	3,00			--
0035		VTDD04284		NUT M8X1,25 X13X5 S2 INX	3,00			--
0036		GUGO28465		OIL SEAL 25X 62X10 NBR70	1,00			--
0040	S	PVVR46028		PACKING RETAIN.D. 18 "63"	3,00			--
0041	S	GUGO01263		O-RING D. 28.30 X 1.78 NBR 70SH	3,00			--
0042	S	GUVR46029		PACKING D. 18 L.P. "63"	3,00			--
0043	S	PVVR46030		INTERMED. RING D. 18 "63"	3,00			--
0044	S	GUVR46031		PACKING D. 18 H.P. "63"	3,00			--
0045		RCDS01090		CAP 3/8X13 M WW90	1,00			--
0046		RCDS01091		CAP 1/2X10 M	1,00			--
0047		VTRS01074		WASHER D.17,05X22,3 X1,5	1,00			--



Ref.	K	Part N.	Customer Part N.	Description	Qty	Validity:		Price
						From	To	
0048		VTRS01075		WASHER D.21,5X27 ALL	1,00			--
0049		PVVR46032		OIL INDICATOR S."63"	1,00			--
0050		GUGO01044		O-RING D. 26.58 X 3.53 NBR 70SH	1,00			--
0051		GUGO19194		O-RING D. 11.11 X 1.78 NBR 70SH	1,00			--
0052		PVVR46785		CONNECTOR TS "63" VALV.H	1,00			--
0053		GUGO09720		O-RING D. 14 X 1.78 NBR 70SH	1,00			--
0054	S	GUVR11651		ANTI-EXTR.RING D. 10.6X15X2	1,00			--
0055	S	GUGO03501		O-RING D. 9.92 X 2.62 VIT 70SH	1,00			--
0056	S	PVVR12887		VALVE SEAT CONTROL SET W1	1,00			--
0057	S	VTVT18667		SCREW M 5X0,8X7,5	1,00			--
0058	S	PVVR18668		VALVE CLT	1,00			--
0059	S	GUGO03497		O-RING D. 6.75 X 1.78 VIT 80SH	2,00			--
0060	S	GUVR28469		ANTI-EXTR.RING D.22 X25X1,5	1,00			--
0061	S	GUGO08182		O-RING D. 21.91 X 1.78 NBR 70SH	1,00			--
0062	S	PVVR28470		VALVE GUIDE "44"	1,00			--
0063	S	PVVR28471		VALVE "44"	1,00			--
0064	S	MLML28472		SPRING D. 18.5 X11 "44"	1,00			--
0065	S	PVVR28473		SPACER "44"	1,00			--
0066	S	GUVR04309		ANTI-EXTR.RING HM	1,00			--
0067	S	PVVR28474		CONTROL PISTON "44"	1,00			--
0068	S	GUGO01946		O-RING D. 9.13 X 2.62 VIT 70SH	1,00			--
0069	S	GUVR01940		ANTI-EXTR.RING D. 9,5X14X1,5	1,00			--
0070		GUGO01037		O-RING D. 23.81 X 2.62 NBR 70SH	1,00			--
0071		PVVR28475		BUSHING "44"	1,00			--
0072		PVVR28476		SPRING PLATE "44" INF.	1,00			--
0073		MLML28477		SPRING D. 7.6 X29 "44"	1,00			--
0074		MLML11655		SPRING D.15X35	1,00			--
0075		PVVR11656		SPRING PLATE W1	1,00			--
0076		PVVR18672		REGISTER COLT	1,00			--
0077		GUGO01057		O-RING D. 20.35 X 1.78 NBR 70SH	1,00			--
0078		VTVT20196		SCREW EI-ST 8X20 UNI5923	1,00			--



Ref. Part N.	Cust. Part N.	Description	Reference	Price
KTRI28508	KIT P	15-123	0011	--
KTRI28510	KIT P	15-124	0009 0010	--
KTRI28526	KIT P	137	0054 0055 0056 0057 0058 0059 0060 0061 0062 0063 0064 0065 0066 0067 0068 0069	--
KTRI46033	KIT P	15-159	0017	--
KTRI46034	KIT P	15-161	0042 0044	--
KTRI46035	KIT P	15-163	0040	--
KTRI46036	KIT P	15-165	0043	--
KTRI46037	KIT P	15-167	0040 0041 0042 0043 0044	--