



**IPC Integrated Professional Cleaning**

**IPC Portotecnica**

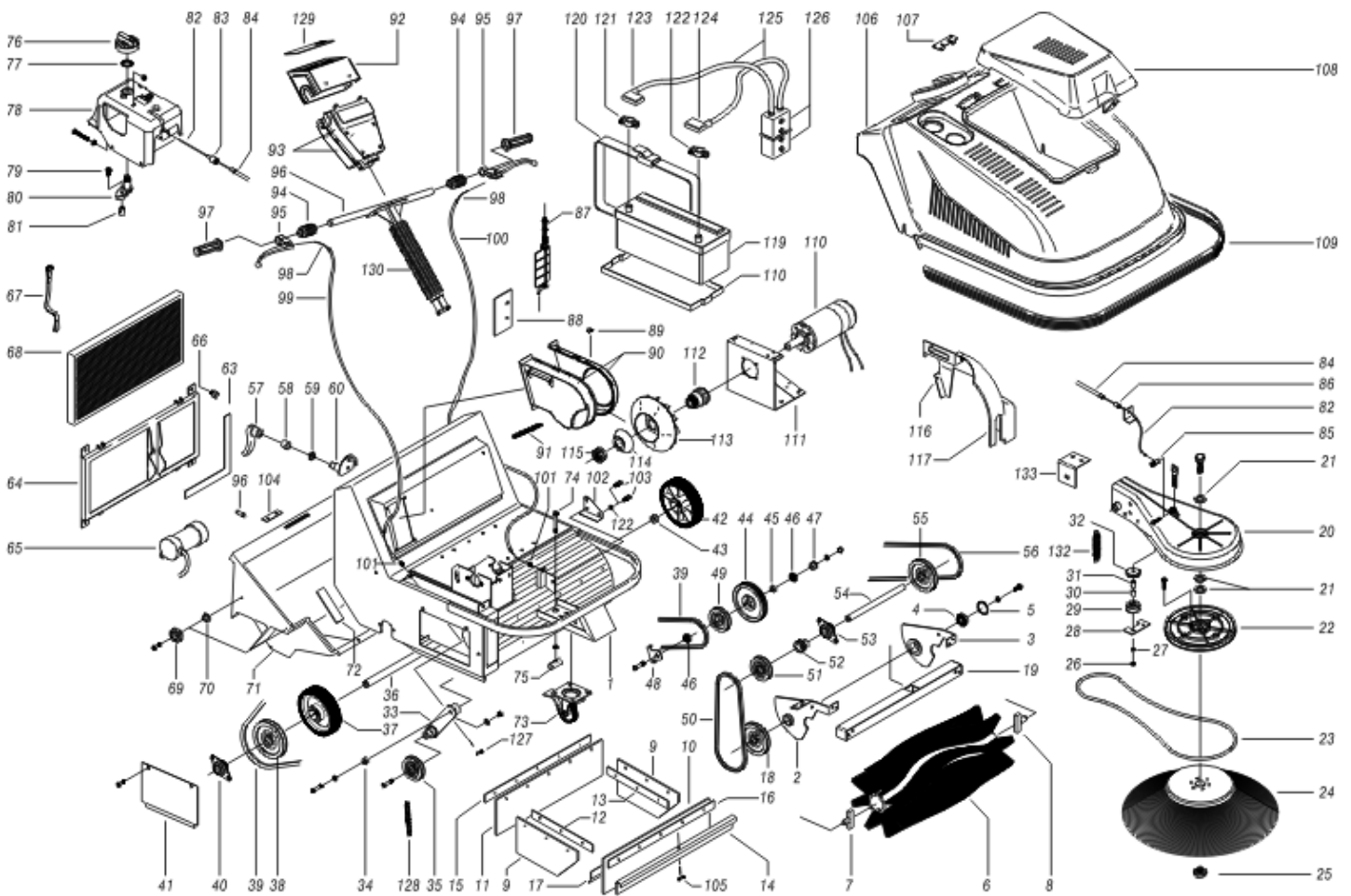
## Spare Parts List

IPF ENGINEERING LTD

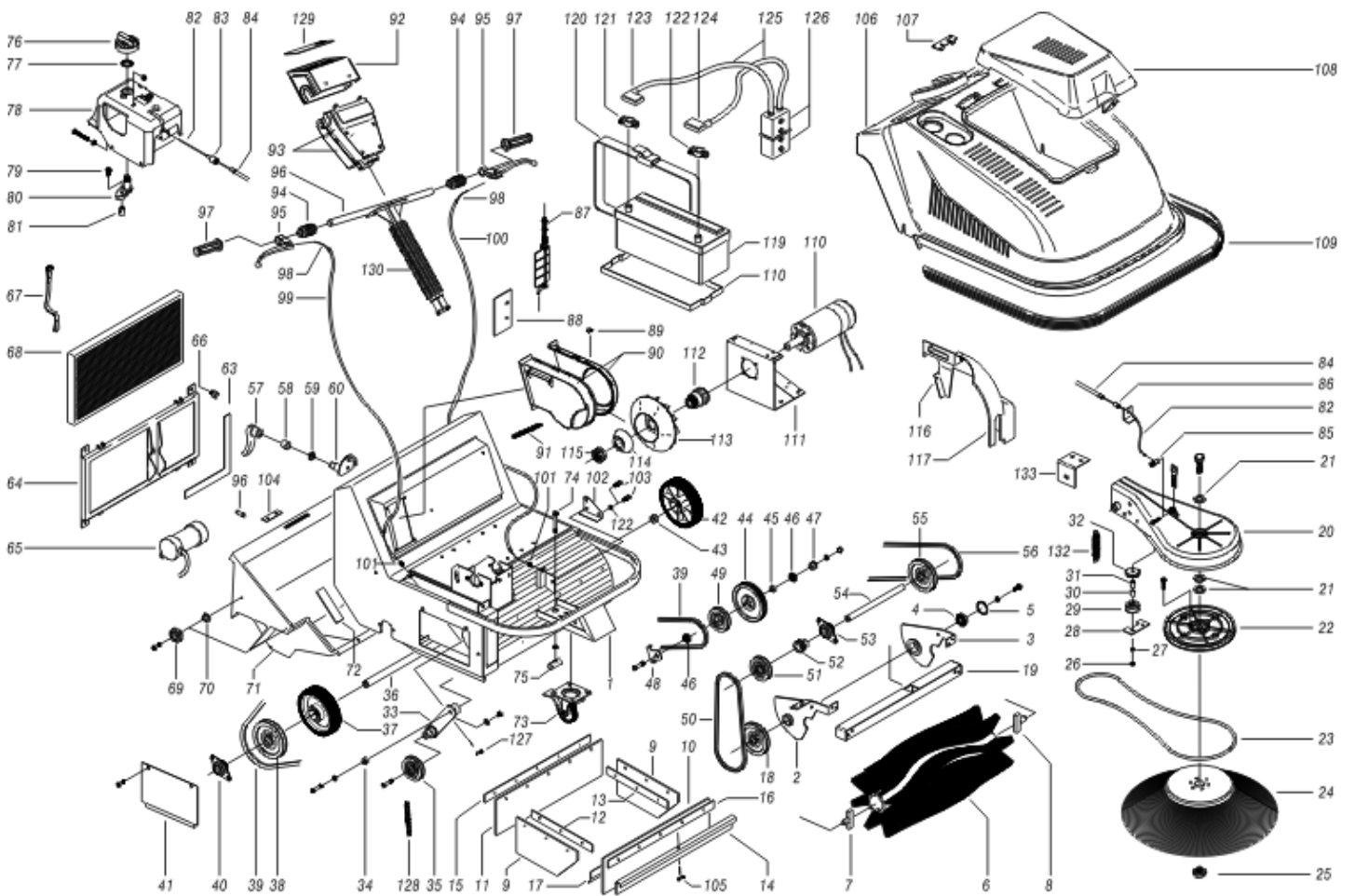
Ref: MSUT00709

Model: MOTOSPAZZ LION 600 ET

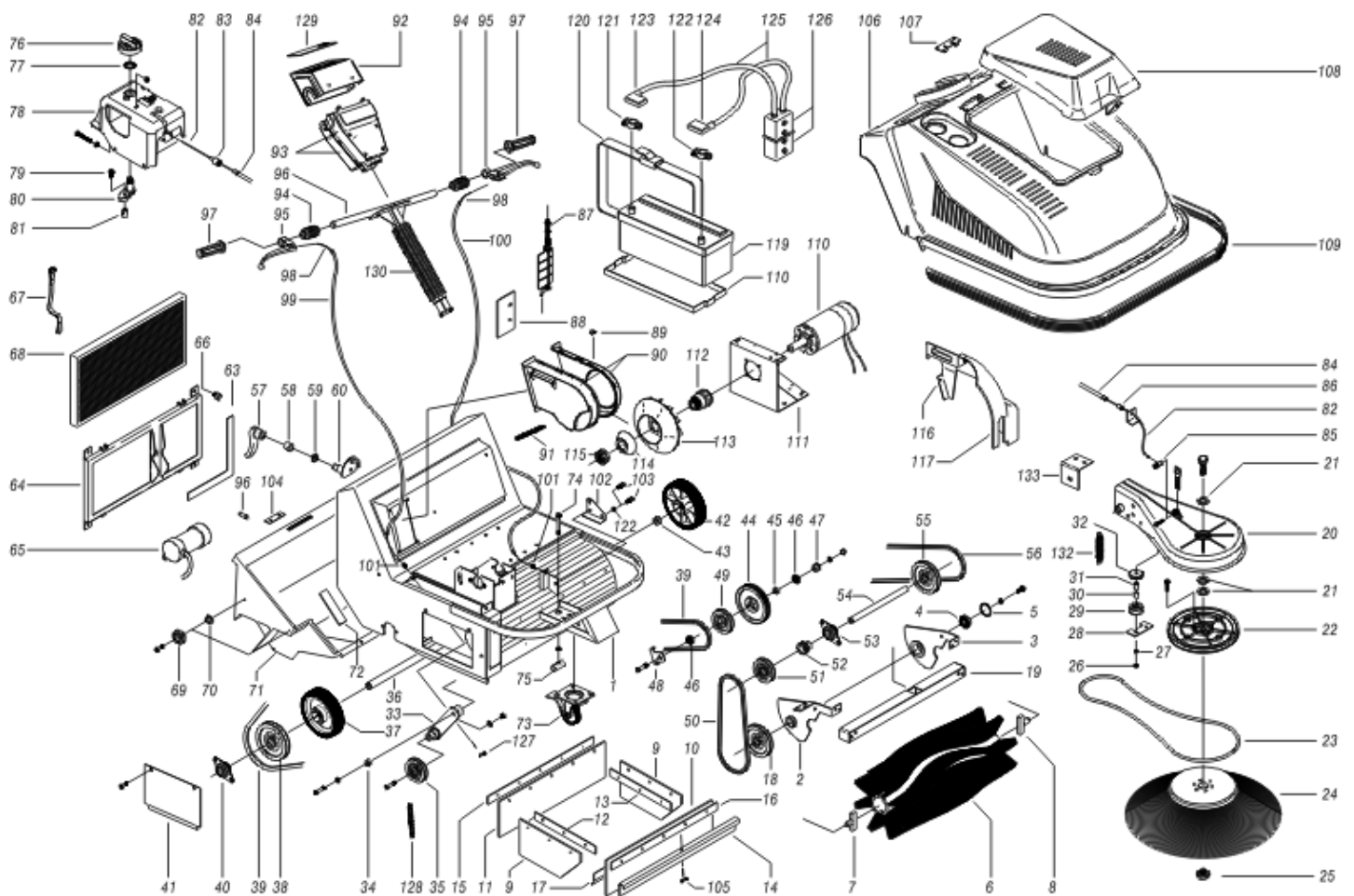
3-01PRT



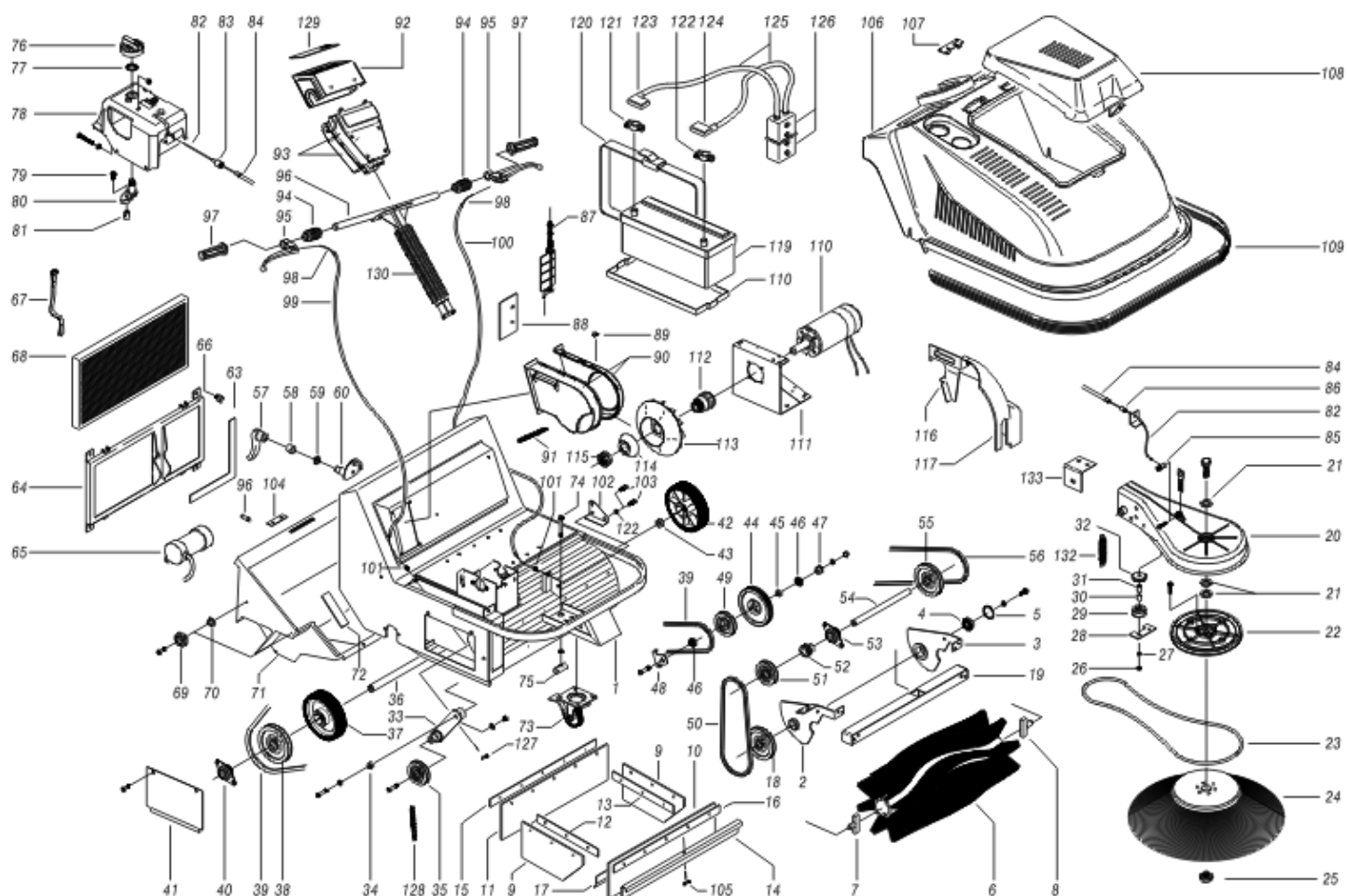
Ref.	K	Part N.	Customer Part N.	Description	Qty	Validity:		Price
						From	To	
0001		LAFN88052		BODY LION 8000 3.V	1,00			--
0002		LAFN87979		BRACKET L.8000 DX 3.V	1,00			--
0003		LAFN87977		BRACKET L.8000 SX 3.V	1,00			--
0004		CUVR19847		BALL BEARING 6203 2RS1	2,00			--
0005		VTAE32479		CIRCLIP D. 40 UNI 7437	1,00			--
0006		SPPV35380		CENTRAL BRUSH D.255X600 PPL CUC. 80/60	1,00			--
0007		MPVR37106		DRIVE DISK L.8000 DX XF.N	1,00			--
0008		MPVR37107		DRIVE DISK L.8000 SX XF.N	1,00			--
0009		MPVR34999		RUBBER FLAP L.8000 LT. 2.V	2,00			--
0010		MPVR34997		RUBBER FLAP L.8000 3.V	1,00			--
0011		MPVR34996		RUBBER FLAP L.8000 2.V	1,00			--
0012		LAFN34950		HOSE CLIP L.8000 2.V	1,00			--
0013		LAFN34951		HOSE CLIP L.8000 2.V	1,00			--
0014		LAFN34952		HOSE CLIP L.8000 2.V EST.	1,00			--
0015		LAFN34949		HOSE CLIP L.8000 2.V PST.	1,00			--
0016		LAFN34954		HOSE CLIP L.8000 2.V FLAP	1,00			--
0017		LAFN34953		HOSE CLIP L.8000 3.V INT.	1,00			--
0018		MTPL39044		PULLEY PPS 148-60 GT	1,00			--
0019		LAFN87901		CROSS PIECE L.8000 3.V	1,00			--
0020		MPVR49056		SUPPORT LION 4.V PP	1,00			--
0021		VTRS00506		WASHER D.12 UNI 6592	3,00			--
0022		MTPL39048		PULLEY PA6 174 GT + 6201 2RS	1,00			--
0023		MTCG01634		BELT Z 44	1,00			--
0024		SPPV43237		SIDE-BRUSH D. 380 PPL D.1	1,00			--
0025		VTDD00494		NUT M12 TEF	1,00			--
0026		VTDD04369		NUT M 4 TEF UNI 7473	4,00			--
0027		VTRS00501		WASHER D. 4 0.232 UNI 6592	4,00			--
0028		LAFN87892		SUPPORT BRACKETL.8000 3V. ZC	1,00			--
0029		MTPL48442		PULLEY OT 30 GT	2,00			--
0030		CUVR47815		BUSHING CB 85 1215 P.GLIDE	2,00			--
0031		LAFN47823		BUSHING D. 4.5X12 L=18 INX	2,00			--
0032		LAFN87893		BRACKET L.8000 3V. ZC	1,00			--
0033		MPVR37108		BELT-STRETCHER L.8000 2.V PA N.	1,00			--
0034		LAFN32124		BUSHING L.8000	1,00			--
0035		MTPL31814		PULLEY POM 70 GP + 6201 2RS	1,00			--
0036		LAFN31748		TRACTION AXLE D.20 L.8000	1,00			--
0037		RTRT31915		WHEEL D.180-D.20 LNK180 6D DX	1,00			--
0038		MTPL31750		PULLEY 110-1A	1,00			--
0039		MTCG00358		BELT A 39	1,00			--



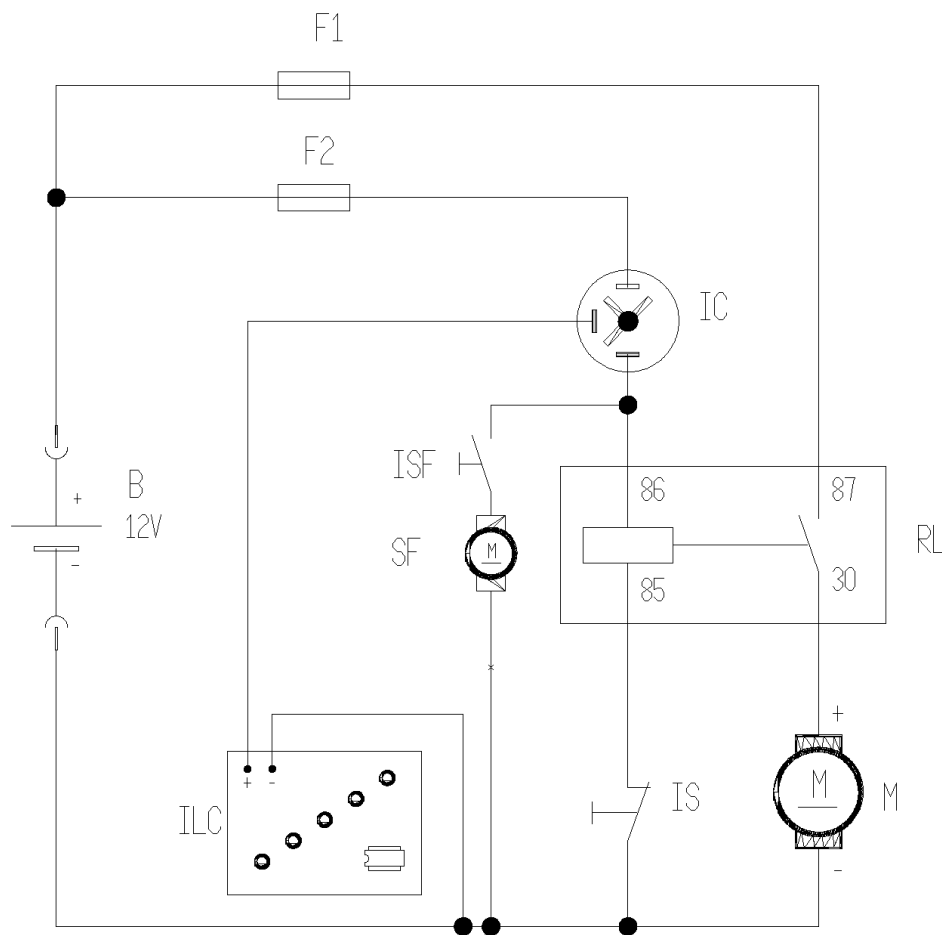
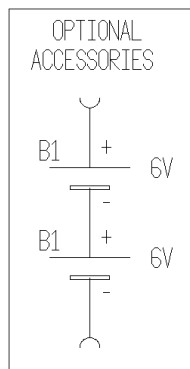
Ref.	K	Part N.	Customer Part N.	Description	Qty	Validity: From To	Price
0040		CUVR33790		SUPPORT UBPFL 203 L.8000	2,00		--
0041		LAFN88036		DOOR L.8000 LT. 3.V	1,00		--
0042		RTRT31751		WHEEL D.180-D.20 LNK180 6S SX	1,00		--
0043		LAFN32120		SPACER D.1/2X 7 L.8000	1,00		--
0044		MTIG31722		GEAR Z 70 M. 2	1,00		--
0045		LAFN32126		SPACER L.8000	1,00		--
0046		CUVR46942		BALL BEARING 6001-2RS1 -SKF	2,00		--
0047		LAFN31816		SPACER D. 12-20 L=16	1,00		--
0048		LAFN31806		BRACKET L.8000 INX	1,00		--
0049		MTPL32167		PULLEY 55-1A TR.	1,00		--
0050		MTCG31805		BELT 10X 755	1,00		--
0051		MTPL31804		PULLEY 50 G.T. L.8	1,00		--
0052		MTIG31737		TOOTHED WHEEL Z= 15 M. 2 D. 15	1,00		--
0053		CUVR06196		SUPPORT LEG BPFL 202	2,00		--
0054		LAFN31799		TRACTION AXLE L.8000 D.15 X225	1,00		--
0055		MTPL39046		PULLEY PA6 136 GT	1,00		--
0056		MTCG31772		BELT 10X 640	1,00		--
0057		MPVR34947		HANDLE M12 F L=115 L.8 2.V	1,00		--
0058		MPVR34944		BUSHING D. 20X16X26 NYL	1,00		--
0060		LAFN34961		ECCENTRIC CAM L.8000 2.V	1,00		--
0061		VTVR34921		PLUG 5X45 INX C40 1707	1,00		--
0062		LAFN34924		BRACKET L.8000 2.V	1,00		--
0063		GUGO87863		GASKET L.8000 3V.	1,00		--
0064		LAFN87910		BRACKET L.8000 3V. ZC.	1,00		--
0065		MOCC85140		MOTOR 12V CC	1,00		--
0066		ABGO87861		VIBRATION DAMP.30X30- 2M8X20 -70+5SH NBR	4,00		--
0067		MPVR87862		BELT GM. 20 L= 260 L.8 3V.	2,00		--
0068		FTDP88118		FILTER 590X245X55 70P. POL.	1,00		--
0069		RTRT34920		WHEEL D. 40-D. 7 NYL L.8	4,00		--
0070		LAFN36619		SPACER D. 5-12 L=17 L.8 OT.	4,00		--
0071		MPVR31752		DRAWER L.8000 PP	1,00		--
0072		GUGO00409		JOINT 15X3	1,60		--
0072		GUGO27129		JOINT 10X3	0,55		--
0073		RTRT13708		TURNING WHEEL D.125 P. MZ.PLS	1,00		--
0074		VTVT35293		SCREW TE M 12X120 L.8000	1,00		--
0075		LAFN32114		CONTROL PIN L.8000	1,00		--
0076		MPVR10084		SWITCH KNOB O.K.A.	2,00		--
0077		VTRS12320		WASHER D.16	1,00		--
0078		MPVR88065		SUPPORT BRACKETL.8000 3.V PA 6 S.FT	1,00		--



Ref.	K	Part N.	Customer Part N.	Description	Qty	Validity:		Price
						From	To	
0079		VTVT10021		SCREW TE 6X15 UNI8110 SW.FRM	1,00			--
0080		MPVR39042		TRIGGER L.8000 PA	1,00			--
0081		CMCV32233		CLAMP VT10 X 16 M 6	1,00			--
0082		CMCV32216		CORD D.2,5 X 900	1,00			--
0083		CMCV41180		BUSHING D. 9-15 L=30 L.80	1,00			--
0084		CMCV32215		SHEATH VIPLAST 3.5X6 X7 L. 425	1,00			--
0085		CMCV13590		CLAMP VT 8X11 M5 LOLY 700	1,00			--
0086		CMCV28891		BUSHING D. 9.7X15 - D.5F D.3	1,00			--
0087		MPVR32556		BUTTERFLY VALVELION PA	1,00			--
0088		LAFN88067		PLATE L.8 3V. ZC.	1,00			--
0089		VTVR20127		CLIP KSM	6,00			--
0090		MPVR32554		CONVEYOR LION DX PP	1,00			--
0090		MPVR32555		CONVEYOR LION SX PP	1,00			--
0091		MLML34379		SPRING TR T17 D. 8 X45 SP.1	1,00			--
0092		MPVR33114		INSTR.PANEL L.8000 - LAVAM. PP	1,00			--
0093		MPVR33116		HALF BEARING PP 2.V	2,00			--
0094		MPVR31720		PROTECTOR 22 X 44	2,00			--
0095		CMCV33525		LEVER D.22 NYL	2,00			--
0096		LAFN34965		UP STEERING L.8000 2.V	1,00			--
0097		MPVR31584		KNOB D.22	2,00			--
0098		CMCV13173		CABLE D. 1.9 L=1.600	2,00			--
0099		CMCV32214		SHEATH 2,5 X 4,5 X 1070	1,00			--
0100		CMCV40342		SHEATH VIPLAST 2.5X4.5X5.2 L1240	1,00			--
0101		CMCV02396		REGISTER CH. 8X 6MAX30	2,00			--
0102		LAFN34955		LEVER FLAP L.8000 2.V	1,00			--
0103		CMCV34027		BARREL CH.14X17 M5	2,00			--
0104		VTRS36062		WASHER D. 8 CRN	2,00			--
0105		CMCV13590		CLAMP VT 8X11 M5 LOLY 700	1,00			--
0106		MPVR34874		RED COVER L. 8000 2.V PP	1,00			--
0107		MPVR34981		BLACK CAP L.8000 PA6	2,00			--
0108		MPVR34876		RED THROTTLE L. 8000 PP	1,00			--
0109		MPVR33901		BUMPER 43X15 PRT L8 EPDM	1,00			--
0110		MOCC31585		TRACTION MOTOR 12V 400W	1,00			--
0111		LAFN34916		MOTOR PLATE L.8000 ME 2.V	1,00			--
0112		MTPL31771		PULLEY L.8000 ME	1,00			--
0113		VEVR32152		IMPELLER 90/1004 L.8000	1,00			--
0114		LAFN32110		CUPEL L.8000	1,00			--
0115		LAFN32103		RING NUT L.8000	1,00			--
0116		MPVR36612		PROTECTION L.8E 3.V ABS PST.	1,00			--



Ref.	K	Part N.	Customer Part N.	Description	Qty	Validity:		Price
						From	To	
0117		MPVR36611		PROTECTION L.8E 3.V ABS ANT.	1,00			--
0118		MPVR35548		BATTERY SUPPORTL.8000 ME 2.V PST	1,00			--
0119		BAAC31308		BATTERY 157 AH 12V	1,00			--
0120		MPVR35547		BATT.BRACKET PP. 25 L=1000 L.8	1,00			--
0121		MEVR02880		CLAMP NEG. 10/16MMQ D.I. 6.4MM	1,00			--
0122		MEVR00281		CLAMP POS. 10/16MMQ D.I. 6.4MM	1,00			--
0123		MEVR17888		COWLING GRIS. BK.	1,00			--
0124		MEVR09359		COWLING GRIS. RSS	1,00			--
0125		MECB33422		CABLE SG 1X6 L= 650/ 400	1,00			--
0126		MEVR07039		PLUG CB 50	2,00			--
0127		CMCV13590		CLAMP VT 8X11 M5 LOLY 700	1,00			--
0128		MLML39961		SPRING TR D. 10.3 X46 F.1.5	1,00			--
0129		ETET32174		LABEL LION 8000ME POLIC	1,00			--
0130		MPVR31719		PROTECTOR 55 - 50 x 215	1,00			--
0132		MLML12055		SPRING TR144 D. 12 X41 F.1.5	1,00			--
0133		LAFN87985		BRACKET L.8000 3V.	1,00			--



Ref.	K	Part N.	Customer Part N.	Description	Qty	Validity:		Price
						From	To	
00F1		MEVR31182		FUSE 50A NST.	1,00			--
00F2		MEVR02825		FUSE 5X20 5A	1,00			--
00IC		MECI30416		SWITCH ZADI 8328	1,00			--
00IS		MECI33679		SWITCH XP52	1,00			--
00RL		MERL32088		SWITCH RELAY 12V 70W	1,00			--
0ILC		MECE34008		PCB LED L.ME 12V. 2.V	1,00			--
0ISF		MECI33679		SWITCH XP52	1,00			--