



IPC Integrated Professional Cleaning

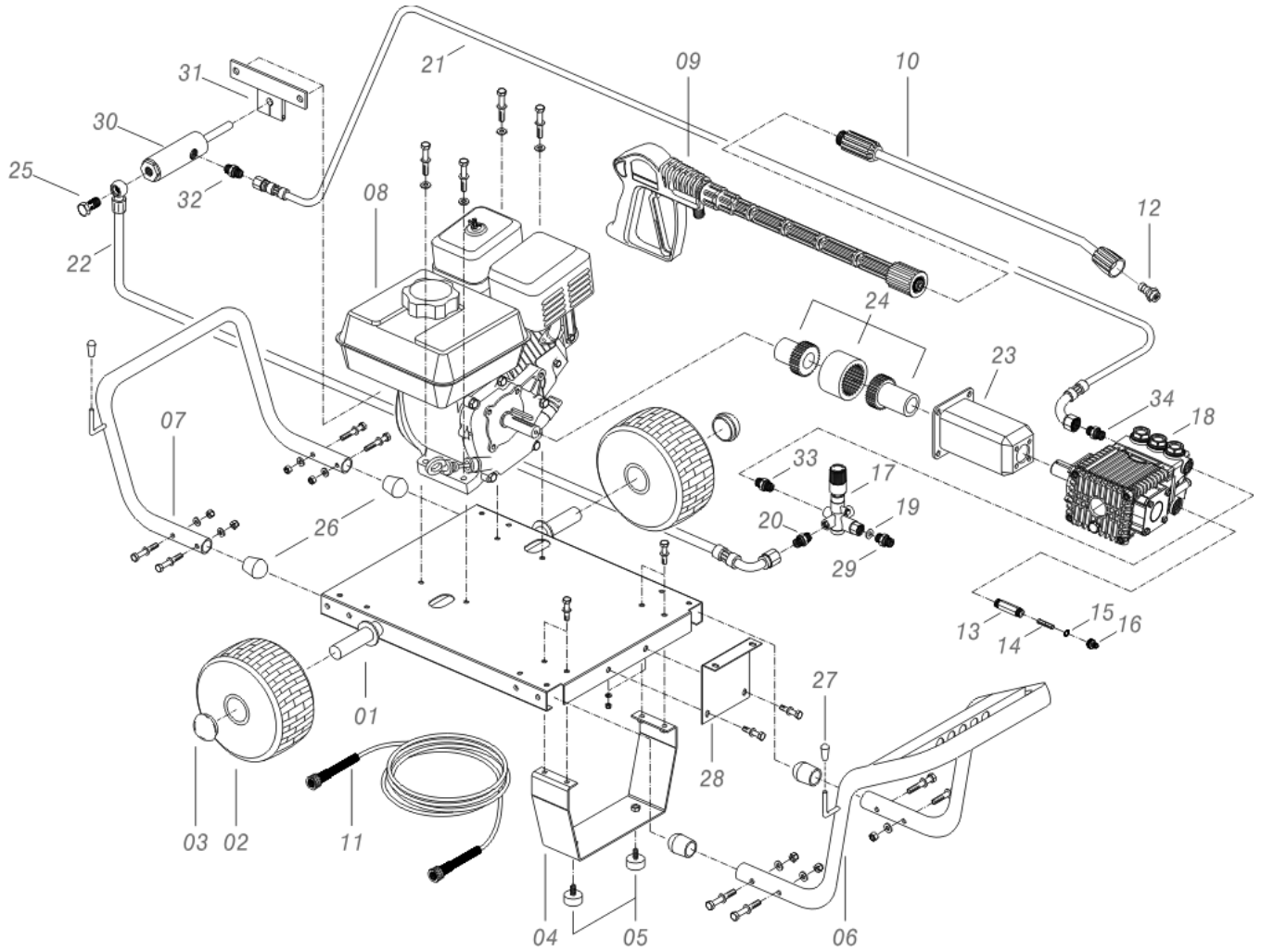
IPC Portotecnica

Spare Parts List

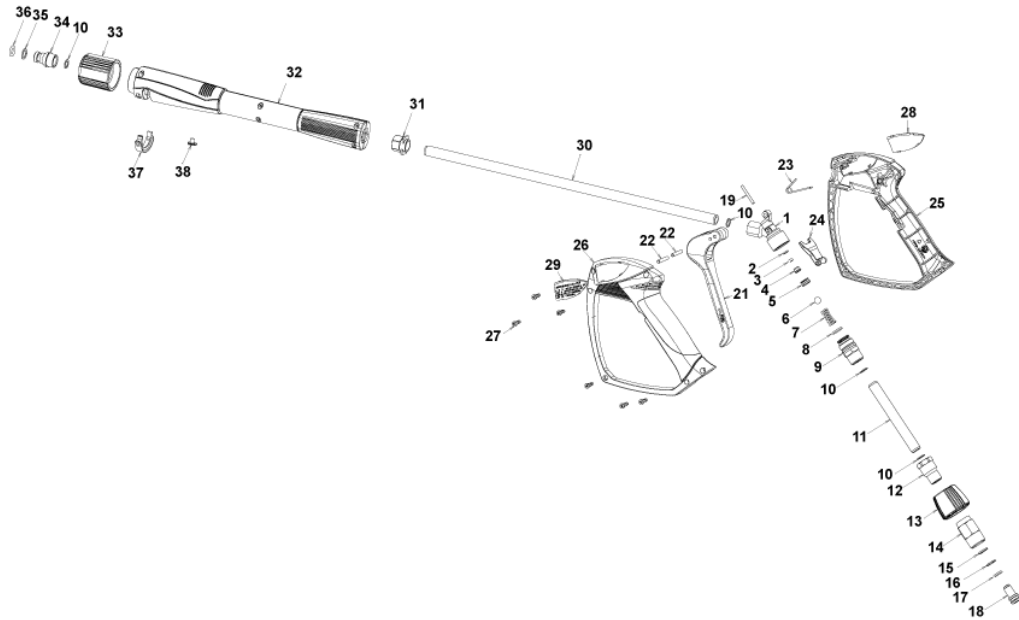
IPF ENGINEERING LTD

Ref: IDAF40355

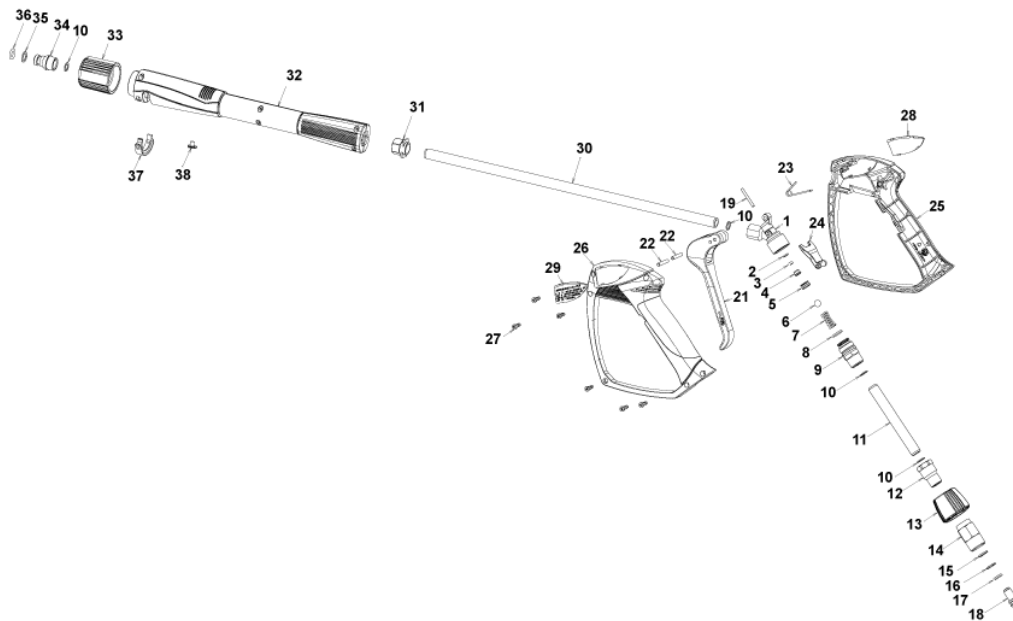
Model: IDROP BENZ-C H DL2515Pi P 3-01IPC



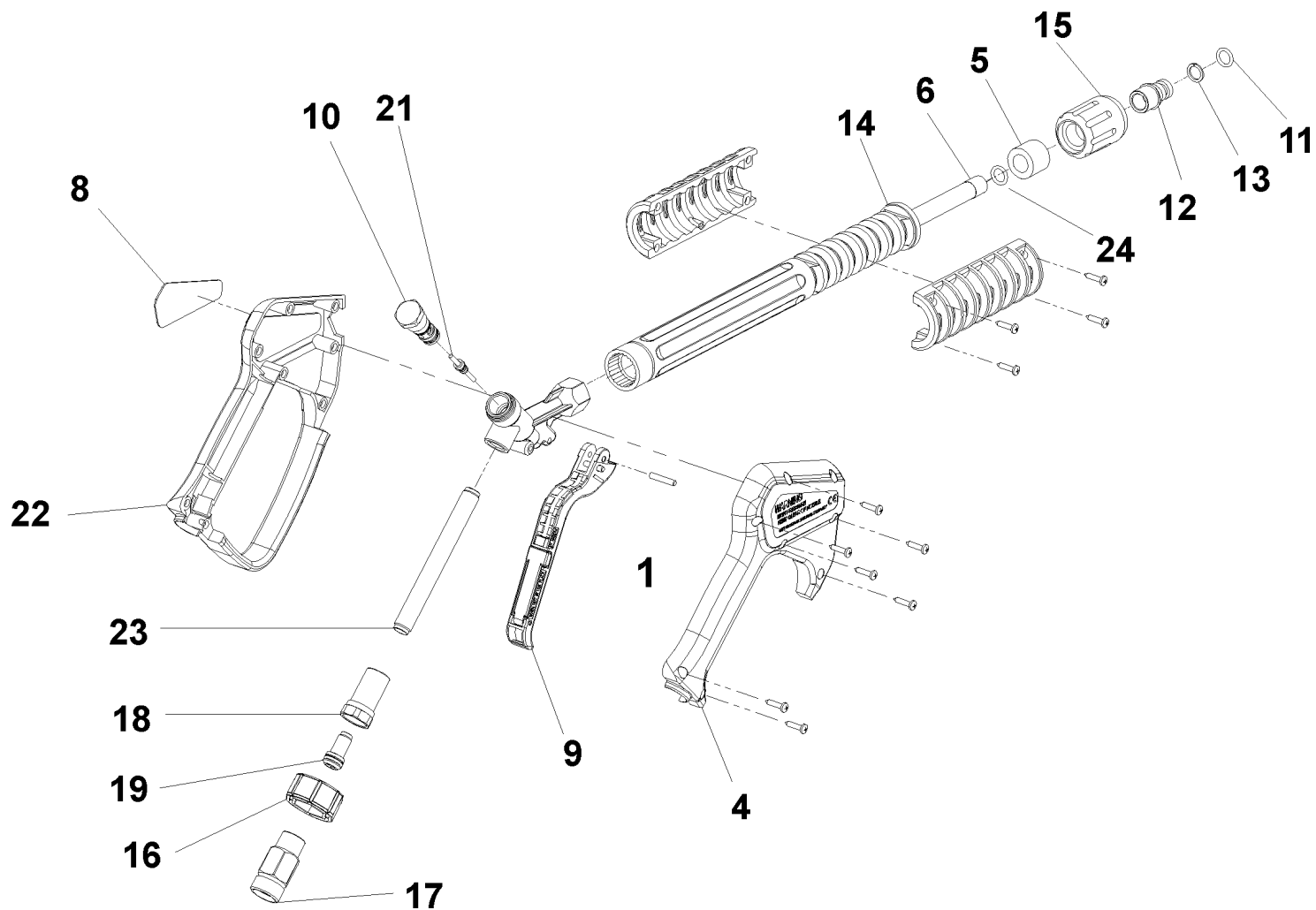
Ref.	K	Part N.	Customer Part N.	Description	Qty	Validity:		Price
						From	To	
0001		LAFN40179		TROLLEY BENZ HP 9-13	1,00			--
0002		RTRT40006		WHEEL D. 13.5"X 6/ 6 -D.25 PN.	2,00			--
0003		VTVR01268		HUB CAP D. 25	2,00			--
0004		LAFN40181		FOOT BENZ HP 9-13	1,00			--
0005		MPVR60726		VIBRATION DAMP.TCC48X25- 1M8X16 60SH GMM	2,00			--
0006		LAFN40183		BUMPER BENZ HP 9-13	1,00			--
0007		LAFN40188		HANDLE BENZ HP 9-13	1,00			--
0008		MOSC40002		ENGINE MOTOR HONDA GX390 UT2 QX Q4 OH	1,00	10/2011		--
0008		MOSC71925		ENGINE MOTOR HONDA GX390 QX 13HP AV.MA	1,00		09/2011	--
0009		IPPR40010		GRIP G 5100+P.330 +M22 SW.M V	1,00	04/2014		--
0009		IPPR89429		GRIP G 4500 - P.330 -M22SW.M V	1,00		04/2014	--
0010		LCPR40013		EXTENSION P 70 - HYPERJET 1/4F	1,00			--
0011		TBAP25324		H.P. HOSE R1 MT 10 5/16" C/2 IRV ZC	1,00			--
0012		UGLN49990		NOZZLE LECH 1/4 25034	1,00			--
0013		RCDS46109		NIPPLE 3/4 - 1/2 RYL INX	1,00			--
0015		FTAC30214		FILTER D.15X67	1,00			--
0016		RCVR29600		SOCKET PTC 3/4 F	1,00			--
0017		VVAZ40004		VALVE BP 93 C/M.310B. 3/8-1/4F	1,00			--
0018		PPAP40032		PUMP "44" WW965 DX T.OT.	1,00			--
0019		VTRS00548		WASHER D.17,5X23X1,5 (3/8)RM	1,00			--
0020		RCDS00607		NIPPLE 1/4 - 1/4 SV	1,00			--
0021		TBAP40031		POLYAMIDE HOSE 1/4 L=430 1/4F -1/4F 90°	1,00			--
0022		TBAP40032		POLYAMIDE HOSE 1/4 L=580 1/4OC -1/4F 90°	1,00			--
0023		MFVR24511		FLANGE IP HP 8-18	1,00			--
0024		FGGT40002		FLEX. COUPLING HP 13.0 SM Z.28 1"-24 CPL	1,00			--
0025		RCDS02612		SCREW G 1/4 A.P.	1,00			--
0026		MPVR01697		PROD D.30 1.02.109	4,00			--
0027		MPVR32471		PROD D. 8 BK	2,00			--
0028		LAFN40192		SUPPORT BRACKETBENZ HP 13.0 HS	1,00			--
0029		RCIN09348		MALE COUPLING 3/8MA L=32	1,00			--
0030		KTRI10685		KIT P 14- 53	1,00	04/2009		--
0031		LAFN11807		BRACKET SF/HONDA	1,00			--
0033		RCDS12121		NIPPLE 3/8 - 3/8 SV/CN	1,00			--
0034		RCDS00609		NIPPLE 1/2 - 1/4 SV	1,00			--



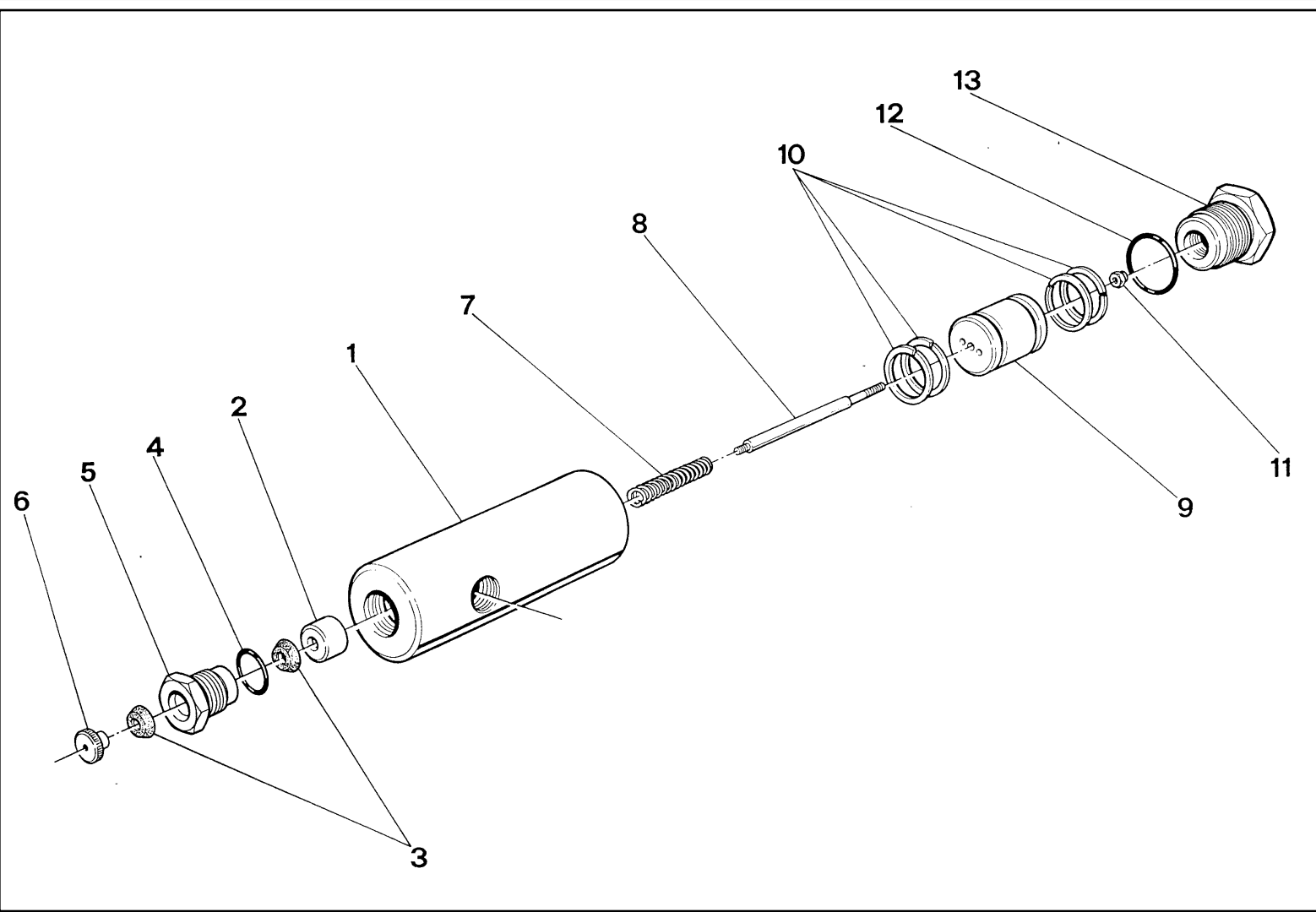
Ref.	K	Part N.	Customer Part N.	Description	Qty	Validity:		Price
						From	To	
0001		PVVR40381		GUN BODY G 5100 G1/4F	1,00			--
0002	S	GUVR40074		ANTI-EXTR.RING D. 3 X 7.4X1.3	1,00			--
0003	S	GUGO21835		O-RING D. 2.84 X 2.62 VIT. 80SH	1,00			--
0004		PVVR40382		PISTON GUIDE G 5100	1,00			--
0005	S	PVVR40112		BALL SEAT G 5000	1,00			--
0006	S	SFVR27026		BALL D.11/32" INX	1,00			--
0007		MLML40016		SPRING D. 9.4 x21.5x1.6 G5000	1,00			--
0008		GUGO12322		O-RING D. 14 X 1.78 NBR 90SH	1,00			--
0009		PVVR40383		CONNECTOR COLL.G5100 1/4F	1,00			--
0010		VTRS40017		WASHER D. 8,2X11,4X1,00	4,00			--
0011		PVVR40384		TUBE G 1/4" L.105	1,00			--
0012		RCIN40022		CONNECTOR SWIV G5100 1/4F	1,00			--
0013		MPVR40486		RING NUT G 5100 SW. GR.	1,00			--
0014		RCIN40021		JOINT SWIV 5100 M22	1,00			--
0015	S	GUVR40075		ANTI-EXTR.RING D. 10 X14X1.5	1,00			--
0016	S	GUVR40076		ANTI-EXTR.RING D. 11.2X14X1.2	1,00			--
0017	S	GUGO15295		O-RING D. 10.82 X 1.78 VIT 80SH	1,00			--
0018		PVVR40386		SCREW SW. G 5100	1,00			--
0019		PVVR40387		SMALL PISTON G 5100	1,00			--
0021		MPVR40487		TRIGGER G 5100-SW	1,00			--
0022		VTVR40047		PLUG D. 4X29	2,00			--
0023		MLML40029		SPRING G 5100	1,00			--
0024		MPVR40488		SAFETY-DEVICE G 5100-SW	1,00			--
0025		MPVR40489		SHELL G 5100-SW DX	1,00			--
0026		MPVR40490		SHELL G 5100-SW SX	1,00			--
0027		VTVT40043		SCREW AF 4X 14 HILO ZN.N	6,00			--
0028		MPVR40491		PLATE G 5100 GR.DX	1,00			--
0029		MPVR40492		PLATE G 5100 GR.SX	1,00			--
0030		LCPR40086		TUBE 1/4 L=420 ZC. 0°	1,00			--
0031		MPVR40493		CONNECTOR G 5100-SW	1,00			--
0032		MPVR40494		PROTECTION P 420 C/AN.	1,00			--
0033		PVVR40119		CONNECTION M22X1,5 IRV G5000	1,00			--
0034		RCIN40009		GUDGEON G 1/4 F IRV G5000	1,00			--
0035		GUVR40034		ANTI-EXTR.RING D. 10 X14	1,00			--
0036		GUGO01946		O-RING D. 9.13 X 2.62 VIT 70SH	1,00			--
0037		MPVR40495		CAP G 5100 REM.	1,00			--
0038		MPVR40198		CAP G 5000	1,00			--



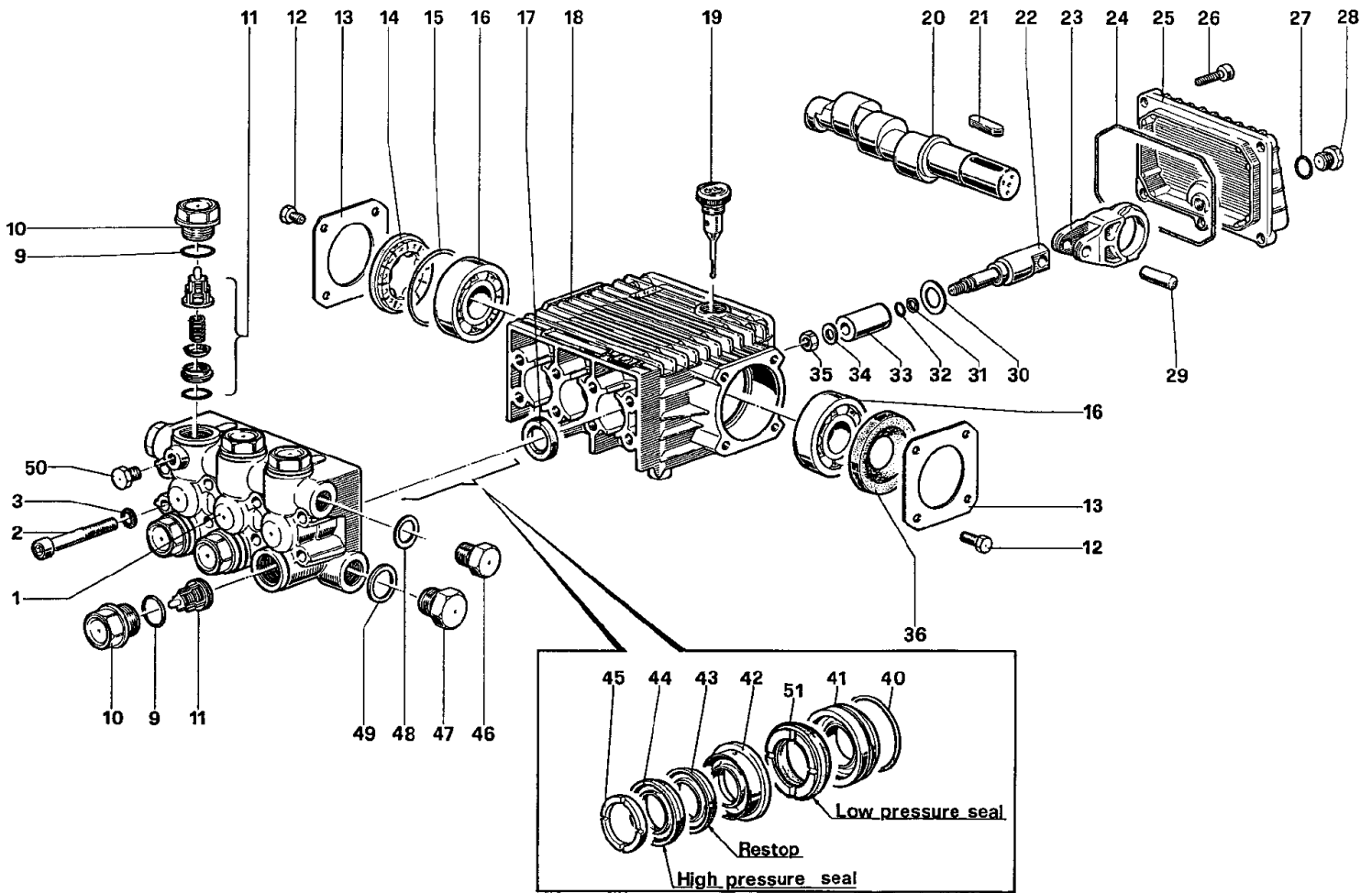
Ref. Part N.	Cust. Part N.	Description	Reference	Price
KTRI40242		KIT P 26- 25 G 5100	0002 0003 0005 0006	--
KTRI40243		KIT P 26- 26 SWIVEL G 5100	0015 0016 0017	--



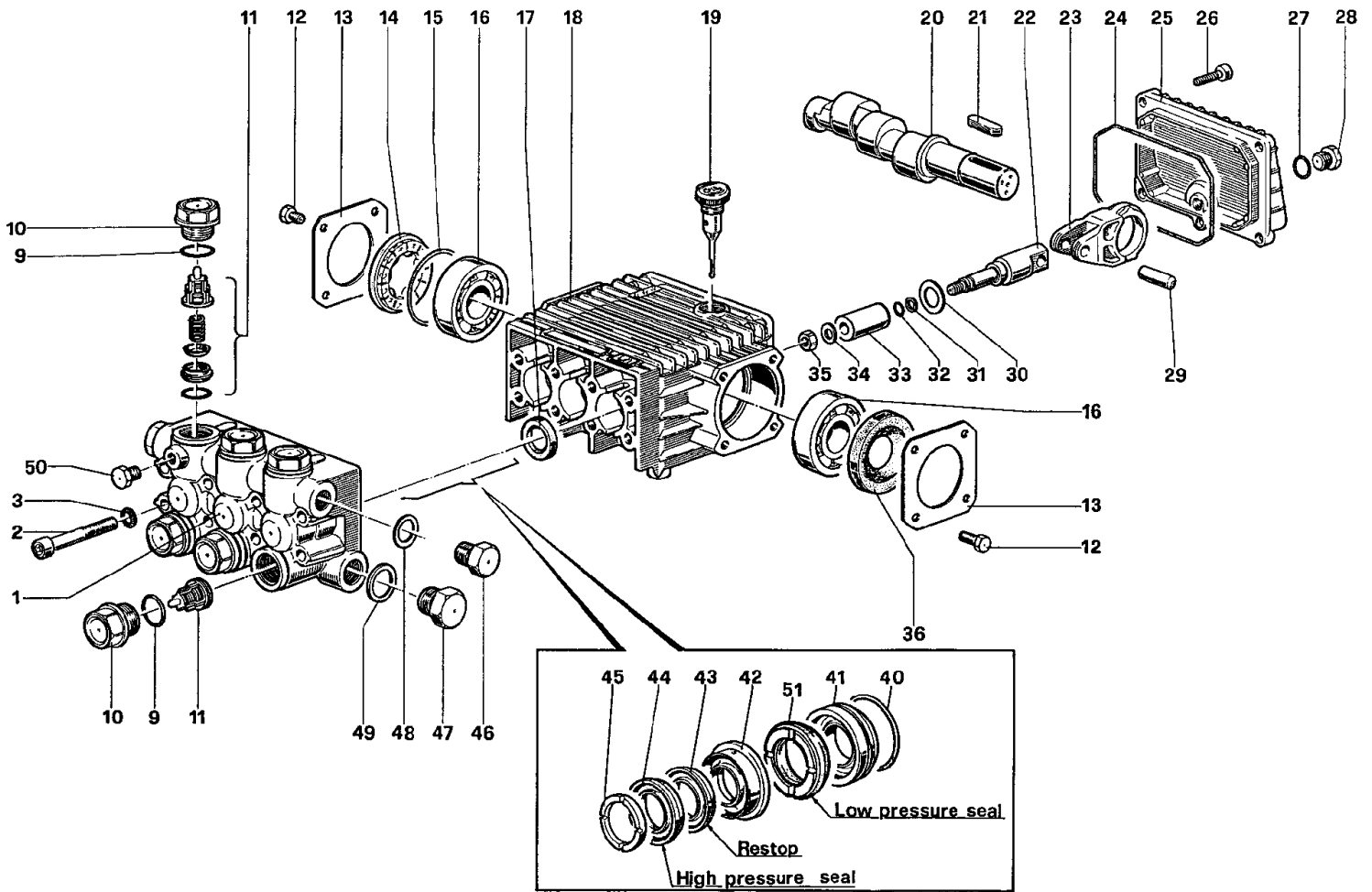
Ref.	K	Part N.	Customer Part N.	Description	Qty	Validity:		Price
						From	To	
0001		VTVR46568		PLUG G 4500	1,00			--
0004		MPVR40157		COVER G 4500 2V.	1,00	05/2008		--
0004		MPVR46563		COVER G 4500	1,00		04/2008	--
0005		MPVR46572		SPACER P 330 ST	1,00			--
0006		LCPR40007		TUBE 1/4 L=352 ZC. 2V.	1,00	05/2008		--
0006		LCPR46571		TUBE 1/4 L=352 ZC.	1,00		04/2008	--
0008		MPVR46569		PLATE G 4500 RD.	1,00			--
0009		MPVR40057		TRIGGER G 4500 -SW	1,00			--
0010		PVVR40030		SMALL PISTON TM ST-2300	1,00			--
0011		GUGO10384		O-RING D. 10 X 2.2 VIT 80SH	1,00			--
0012		RCVR13030		GUDGEON G 1/4 F L=31.5	1,00			--
0013		GUVR10526		ANTI-EXTR.RING D.13.9X10.2 C.BZ	1,00			--
0014		MPVR46570		PROTECTION P 330 ST	1,00			--
0015		PVVR13445		CONNECTION M 22X1.5 L=45	1,00			--
0016		MPVR40058		RING NUT G4500 SW.	1,00			--
0017		RCIN40001		JOINT SWIV 4500 3/8"F	1,00		04/2008	--
0017		RCIN40005		JOINT SWIV 4500 3/8"F 2V.	1,00	05/2008		--
0018		RCIN31641		CONNECTOR SWIV 1500 F	1,00			--
0019		KTRI31645		KIT P 26- 14	1,00			--
0021		PVVR40031		ROD ST-2300	1,00			--
0022		MPVR40156		SHELL G 4500 2V.	1,00	05/2008		--
0022		MPVR46562		SHELL G 4500	1,00		04/2008	--
0023		PVVR40023		TUBE G 1/4" M/M P/SW.	1,00			--
0024		GUGO27021		O-RING D. 11 X 2.5 EPD 70SH	1,00	05/2008		--



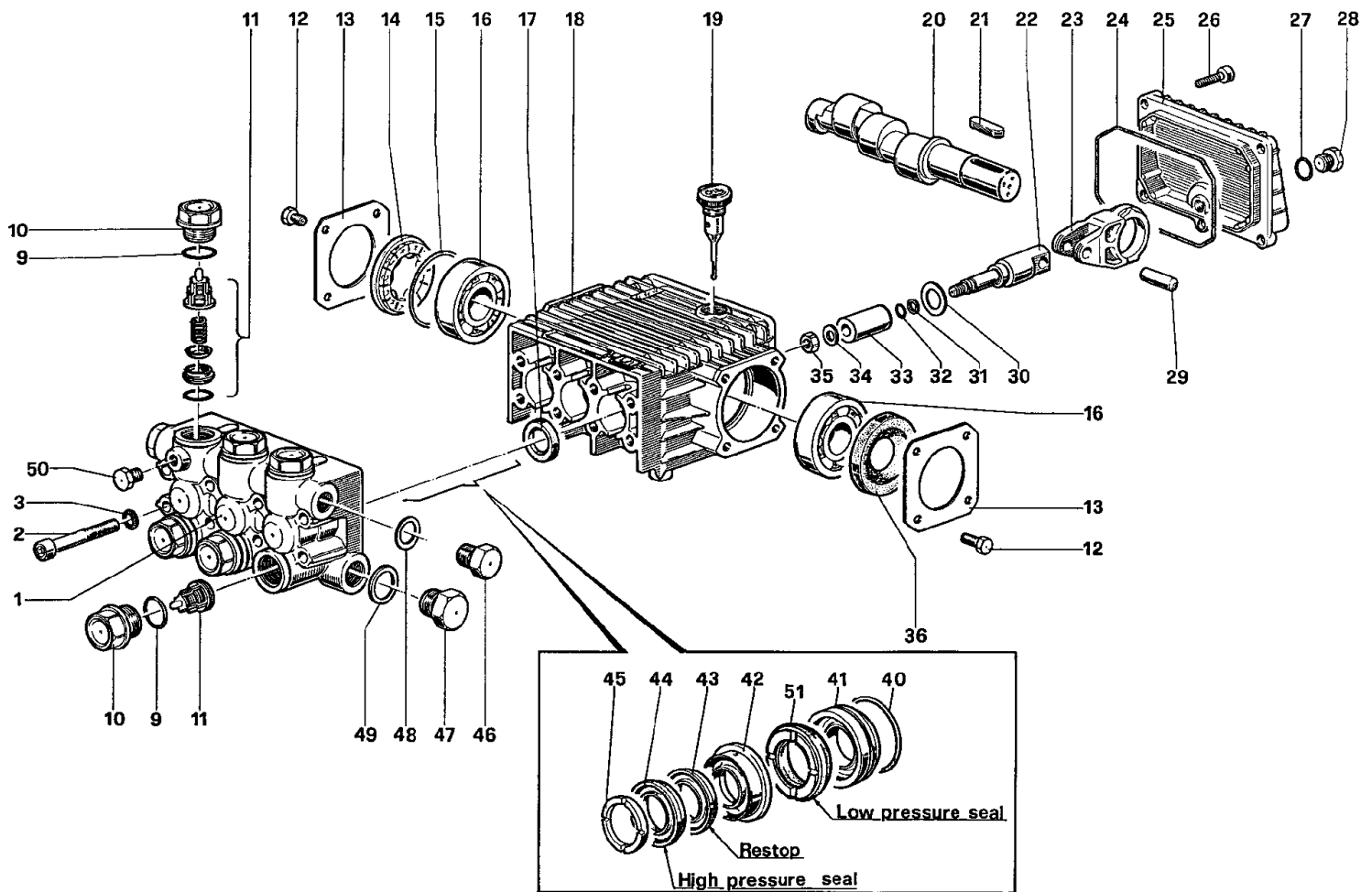
Ref.	K	Part N.	Customer Part N.	Description	Qty	Validity:		Price
						From	To	
		GUGO09720		O-RING D. 14 X 1.78 NBR 70SH	1,00			--
		LAFN12871		EXTENSION SF/B HONDA	1,00			--
0001		RCDS08187		BODY	1,00			--
0002		RCDS08188		SPRING GUIDE	1,00			--
0003		GUGO08189		GASKET GACO U037018	2,00			--
0004		GUGO08190		O-RING	1,00			--
0005		RCDS08191		CAP M 16X1,5	1,00			--
0006		PVVR12870		PAWL M 4 G400	1,00			--
0007		MLML08186		SPRING D.1-7,3 L31,5	1,00			--
0008		PVVR12869		ROD M 4.5 G400	1,00			--
0009		RCDS08184		SMALL PISTON	1,00			--
0010		PVVR08183		SPLIT RING D.22-18X1,5	4,00			--
0011		VTDD09556		NUT M3 TEFLON	1,00			--
0012		GUGO08182		O-RING D. 21.91 X 1.78 NBR 70SH	1,00			--
0013		PVVR08181		CAP M 24X1	1,00			--



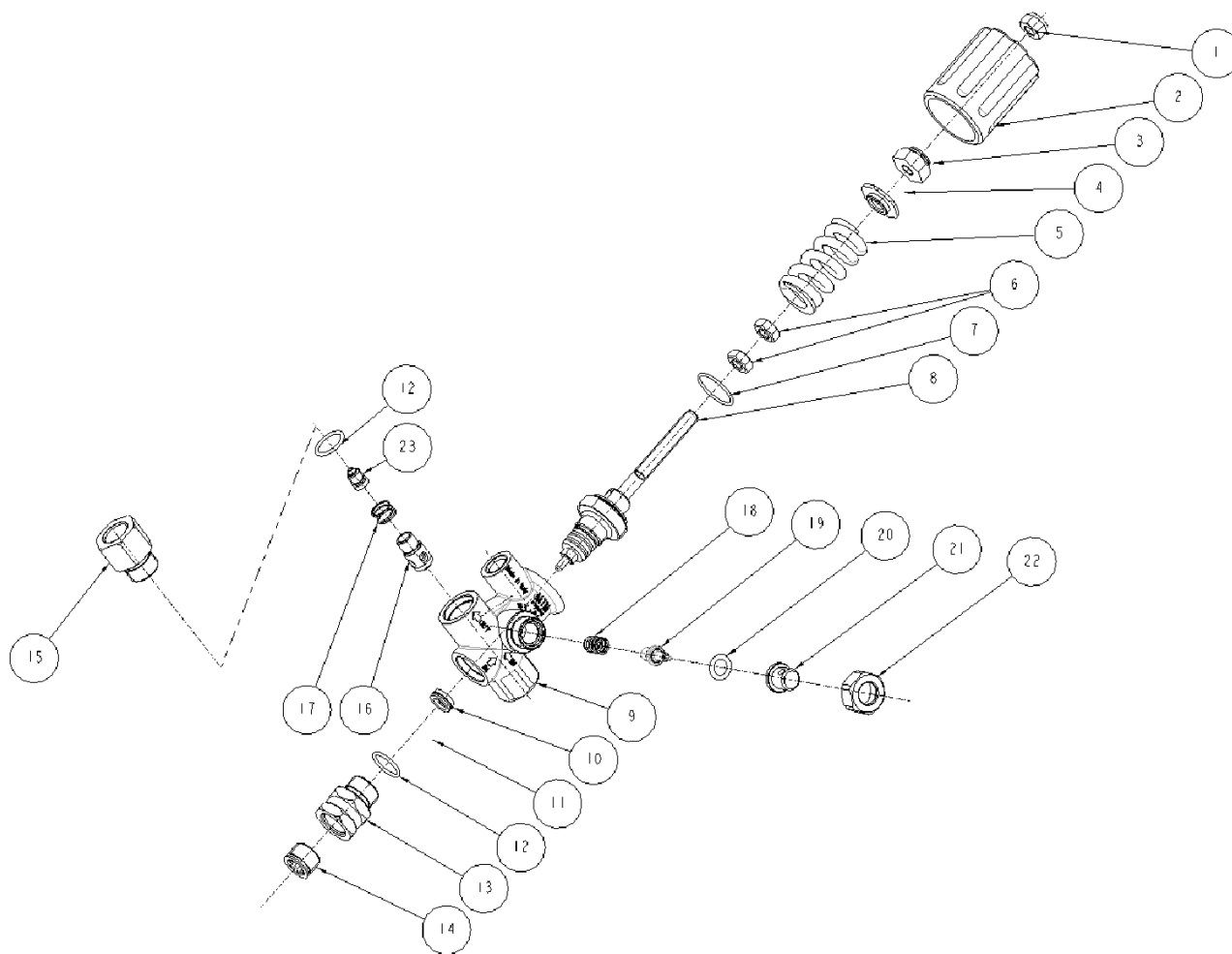
Ref.	K	Part N.	Customer Part N.	Description	Qty	Validity: From To	Price
0001		MFVR40009		HEAD "44" WW D.13 OT.	1,00		--
0002		VTVT01121		SCREW TCEI 8X60 UNI5931	8,00		--
0003		VTRS14242		WASHER D. 8.4X13X0.8 UNI7064 SCH	8,00		--
0009	S	GUGO01033		O-RING D. 20.24 X 2.62 NBR 90SH	6,00		--
0010	S	RCDS28466		CAP M24X1.5X17 "44"	6,00		--
0011	S	VVAM28467		VALVE UNIT "44" WW136-186	6,00		--
0012		VTVT01109		SCREW TE M 6X 10 ZC. UNI 5739	4,00		--
0013		MFVR03562		CRANKASE COVER W 70	1,00		--
0014		MFVR28454		SPACER "44"	1,00		--
0015		GUGO01040		O-RING D. 55.56 X 3.53 NBR 70SH	1,00		--
0016		CUVR09654		BALL BEARING 6305	1,00		--
0017	S	GUGO01001		OIL SEAL 20X 30X 5 NBR70	3,00		--
0018		MFVR28453		PUMP CRANKCASE "44"	1,00		--
0019		PVVR01089		OIL DIPSTICK W 70	1,00		--
0020		ALMO28464		SHAFT "44" WW 136	1,00		--
0021		VTVR09510		KEY 8X7X35	1,00		--
0022		PVVR40058		PISTON GUIDE "44" D.13	3,00		--
0023		BLVR28459		CONNECTING ROD "44"	3,00		--
0024		GUGO18695		O-RING D. 101.27 X 2.62 NBR 70SH	1,00		--
0025		MFVR28460		CRANKASE COVER "44"	1,00		--
0026		VTVT01114		SCREW TCEI 6X14 UNI 5931	5,00		--
0027		GUGO01036		O-RING D. 10.82 X 1.78 NBR 70SH	1,00		--
0028		RCDS01088		CAP 1/4X 9 M WW90	1,00		--
0029		PVVR28458		GUDGEON D.10X29.5 "44"	3,00		--
0030		VTRS40006		WASHER D. 7,1X28 X0,5	3,00		--
0031		GUVR10257		ANTI-EXTR.RING WW161	3,00		--
0032		GUGO01055		O-RING D. 5.28 X 1.78 VIT 70SH	3,00		--
0033		PIVR40001		PISTON D.13X45 "44"	3,00		--
0036		GUGO28465		OIL SEAL 25X 62X10 NBR70	1,00		--
0040	S	GUGO01039		O-RING D. 31.47 X 1.78 NBR 70SH	3,00		--
0041	S	PVVR40059		PACKING RETAIN.D. 13 "44"	3,00		--
0042	S	PVVR40060		INTERMED. RING D. 13 "44"	3,00		--
0043	S	GUVR40023		ANTI-EXTR.RING D. 13 X17X2	3,00		--
0044	S	GUVR40024		PACKING D. 13 H.P.	3,00		--
0045	S	PVVR40061		HEAD RING D. 13 "44"	3,00		--
0046		RCDS01090		CAP 3/8X13 M WW90	1,00		--
0047		RCDS01091		CAP 1/2X10 M	1,00		--
0048		VTRS01074		WASHER D.17,05X22,3 X1,5	1,00		--
0049		VTRS00549		WASHER D.21,5X27X1.5 (1/2) RM	1,00		--



Ref.	K	Part N.	Customer Part N.	Description	Qty	Validity:		Price
						From	To	
0050		RCDS09704		CAP G 1/8 KR	1,00			--
0051	S	GUVR40025		PACKING D. 13 L.P.	3,00			--



Ref. Part N.	Cust. Part N.	Description	Reference	Price
KTRI18585	KIT P	23	0017	--
KTRI28508	KIT P	15-123	0011	--
KTRI28510	KIT P	15-124	0009 0010	--
KTRI40042	KIT P	15-152	0040 0041	--
KTRI40043	KIT P	15-153	0043 0044 0051	--
KTRI40044	KIT P	15-154	0042	--
KTRI40045	KIT P	15-156	0040 0041 0042 0043 0044 0045 0051	--



Ref. K	Part N.	Customer Part N.	Description	Qty	Validity:		Price
					From	To	
0001	VTDD89669		NUT M 8 X1 AUT. INX A2	1,00			--
0002	MPVR40002		KNOB BP9 BK.	1,00			--
0003	VTDD88134		NUT M 8 BY-PASS BP91	1,00			--
0004	PVVR88140		SPRING PLATE BP91	1,00			--
0005	MLML40014		SPRING D.15.6 X27 L=51.5 310B.	1,00			--
0006	VTDD40000		NUT M 8 X1 UNI5588 INX A2	2,00			--
0007	GUGO11652		O-RING D. 12.42 X 1.78 NBR 70SH	1,00			--
0008	PVVR40016		PUSH ROD BP9 CP.	1,00			--
0009	PVVR40107		VALVE BODY BP 93 3/8"	1,00			--
0010	PVVR88135		INSERT BY-PASS BP91	1,00			--
0011	SFVR88141		BALL D.17/32" AISI 440	1,00			--
0012	GUGO03505		O-RING D. 15.6 X 1.78 NBR 70SH	2,00			--
0013	PVVR88138		CONNECTOR EASY-ST. BP91	1,00			--
0014	PVVR88139		CAP 3/8 M BP91	1,00			--
0015	PVVR49638		CONNECTOR BP91 3/8F	1,00			--
0016	PVVR49636		SMALL PISTON BP91 C/OR	1,00			--
0017	MLML49637		SPRING BP91	1,00			--
0018	MLML40015		SPRING D. 9.2X18,26X1 BP 93	1,00			--
0019	PVVR40108		ELEMENT TH. BP 93	1,00			--
0020	GUGO28927		O-RING D. 9.13 X 2.62 NBR 70SH	1,00			--
0021	PVVR40109		CONNECTOR BP 93	1,00			--
0022	PVVR40110		RING NUT M18X1 BP 93	1,00			--