



IPC Integrated Professional Cleaning

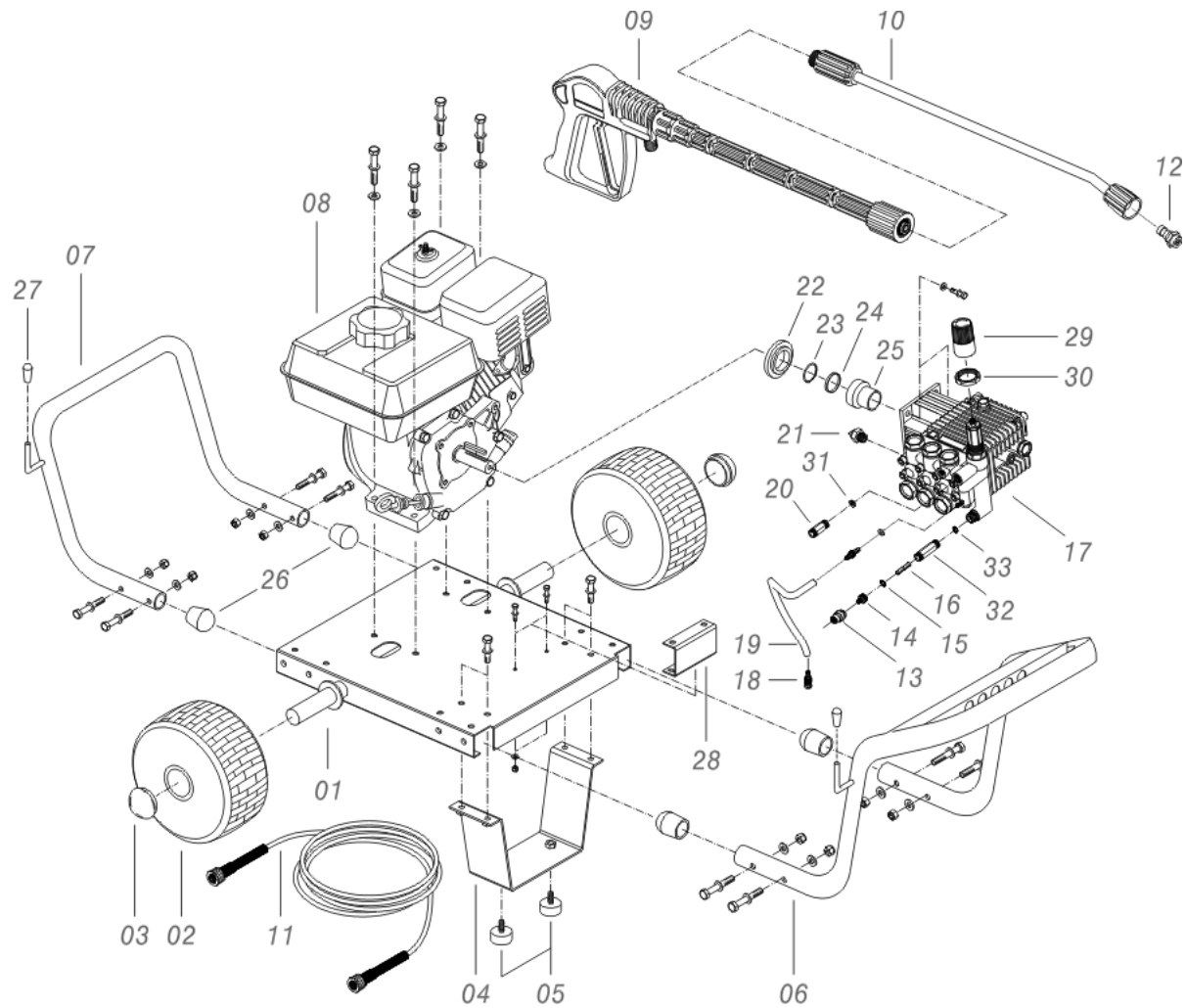
IPC Portotecnica

Spare Parts List

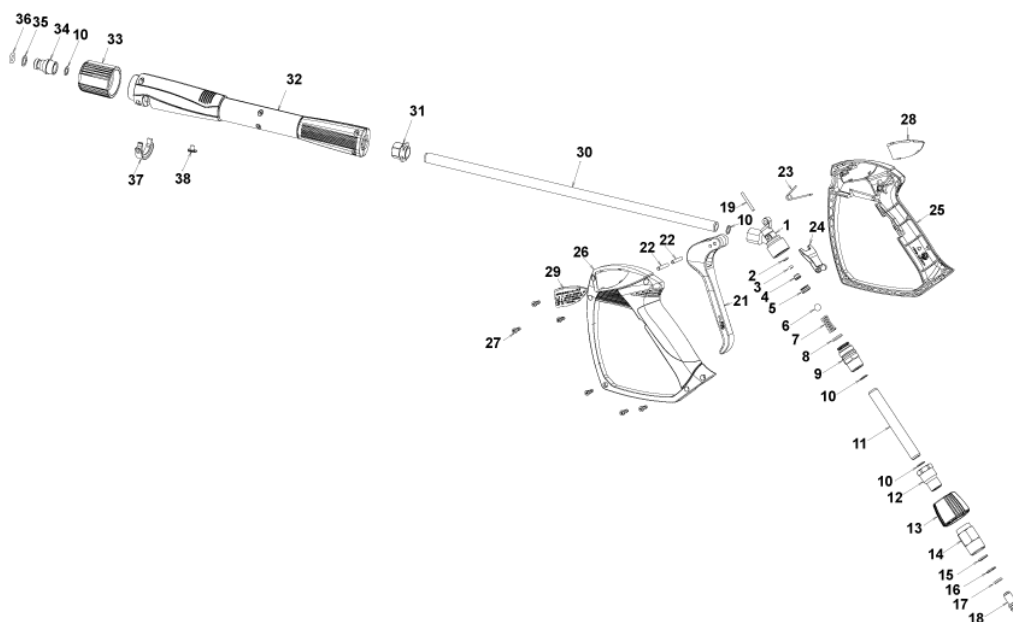
IPF ENGINEERING LTD

Ref: IDAF40352

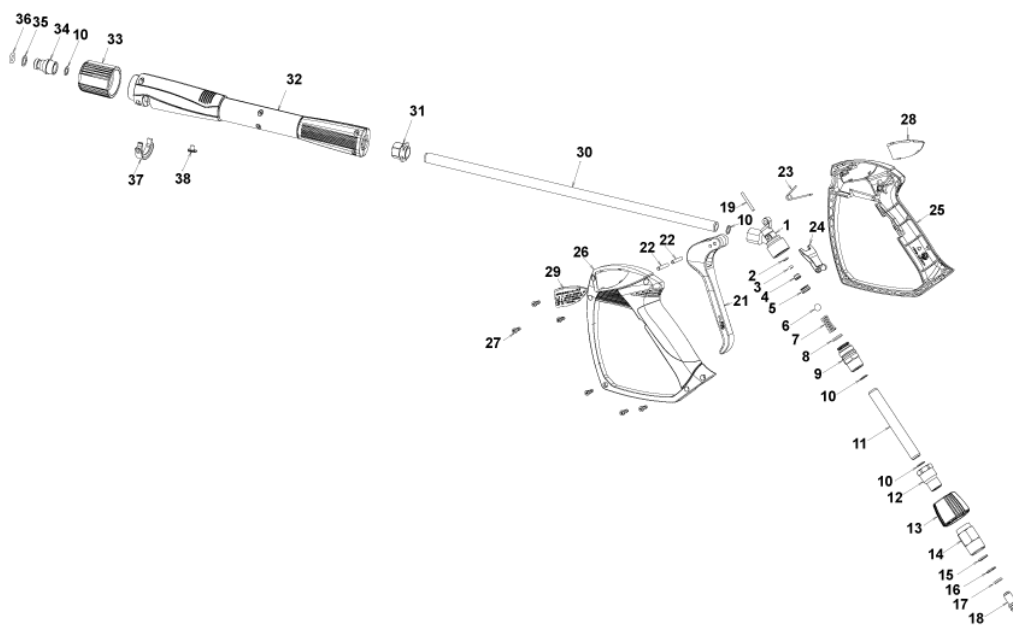
Model: IDROP BENZ-C H1811Pi P 3-01IPC



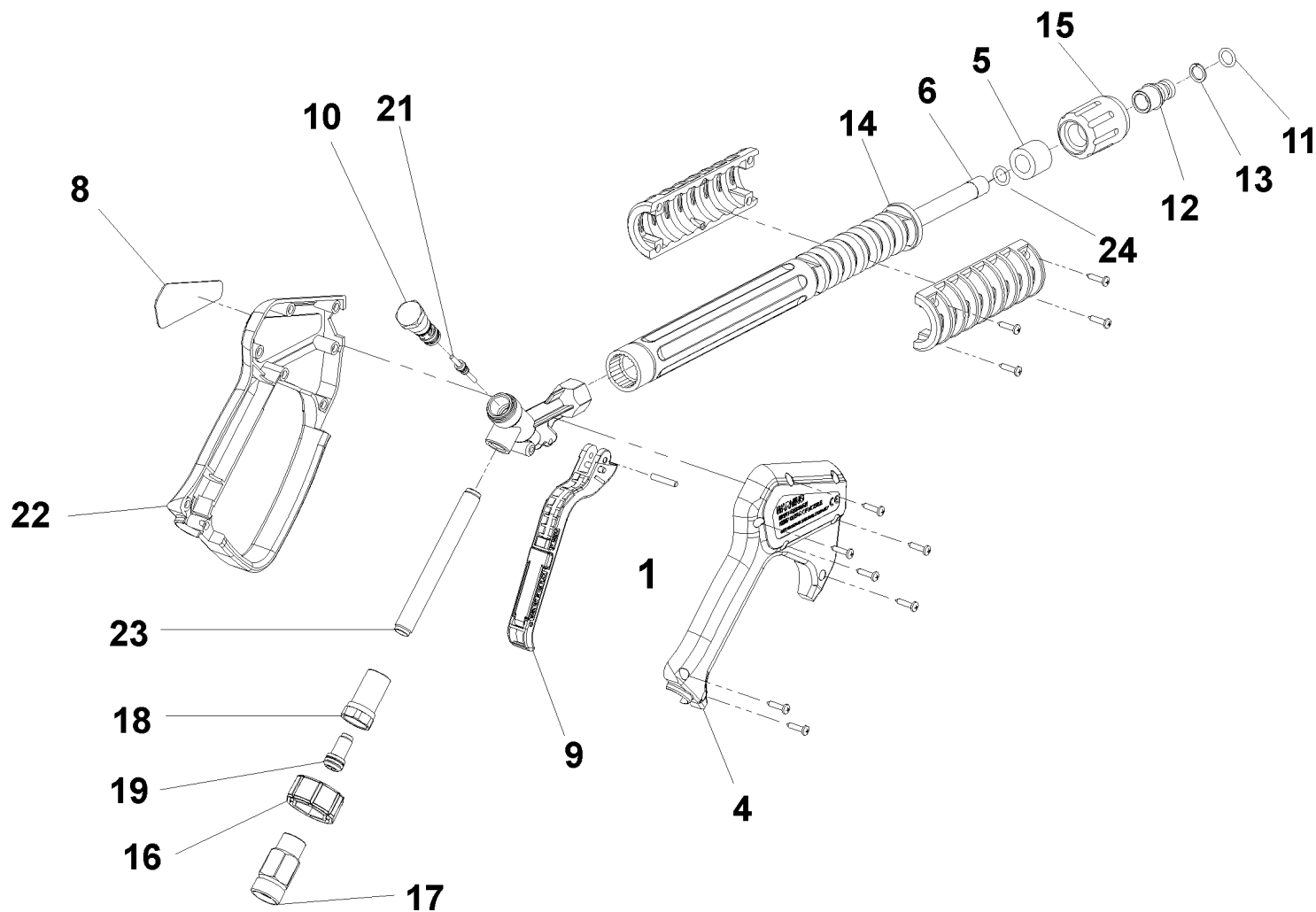
Ref.	K	Part N.	Customer Part N.	Description	Qty	Validity:		Price
						From	To	
0001		LAFN40180		TROLLEY BENZ HP 6.5	1,00			--
0002		RTRT40007		WHEEL D. 11.4"X 4/ 4 -D.25 PN.	2,00			--
0003		VTVR01268		HUB CAP D. 25	2,00			--
0004		LAFN40182		FOOT BENZ HP 6.5	1,00			--
0005		MPVR60726		VIBRATION DAMP.TCC48X25- 1M8X16 60SH GMM	2,00			--
0006		LAFN40189		HANDLE BENZ HP 6.5	1,00			--
0007		LAFN40184		BUMPER BENZ HP 6.5	1,00			--
0008		MOSC40001		ENGINE MOTOR HONDA GX200UT1 QX-4 OH	1,00			--
0009		IPPR40010		GRIP G 5100+P.330 +M22 SW.M V	1,00	04/2014		--
0009		IPPR89429		GRIP G 4500 - P.330 -M22SW.M V	1,00		04/2014	--
0010		LCPR40013		EXTENSION P 70 - HYPERJET 1/4F	1,00			--
0011		TBAP25324		H.P. HOSE R1 MT 10 5/16" C/2 IRV ZC	1,00			--
0012		UGLN49990		NOZZLE LECH 1/4 25034	1,00			--
0013		RCVR29600		SOCKET PTC 3/4 F	1,00			--
0014		RCVR29602		CONNECTOR D. 1/2"-5/8" PTC	1,00			--
0016		FTAC30214		FILTER D.15X67	1,00			--
0017		PPAP40034		PUMP TT1511 SX C T.IN.2.0 FL/H	1,00			--
0018		FTDT04648		FILTER PG. D.6 PLS	1,00			--
0019		TBBP00051		DETERGENT HOSE D. 6-12	1,50			--
0020		RCDS10544		NIPPLE M22-3/8 M-M D. 3 L=62	1,00			--
0021		VVSC37614		VALVE 3/8" 63°C	1,00			--
0022		LAFN40213		RING BENZ HP 6.5 AL.	1,00			--
0023		GUGO26964		O-RING D. 18.72 X 2.62 NBR 90SH	1,00			--
0024		GUGO21339		O-RING D. 29.82 X 2.62 VIT 70SH	1,00			--
0025		RCDS40061		BUSHING HONDA 6.5HP	1,00			--
0026		MPVR01697		PROD D.30 1.02.109	4,00			--
0027		MPVR32471		PROD D. 8 BK	2,00			--
0028		LAFN40190		SUPPORT BRACKETBENZ HP 6.5	1,00			--
0029		PVVR18673		KNOB COLT	1,00			--
0030		RCDS21788		RING NUT M 28 X 1.5 L=16	1,00			--
0031		GUGO03507		O-RING D. 13.95 X 2.62 VIT 70SH	1,00			--
0032		RCDS46109		NIPPLE 3/4 - 1/2 RYL INX	1,00			--
0033		GUGO01032		O-RING D. 17.13 X 2.62 NBR 70SH	1,00			--



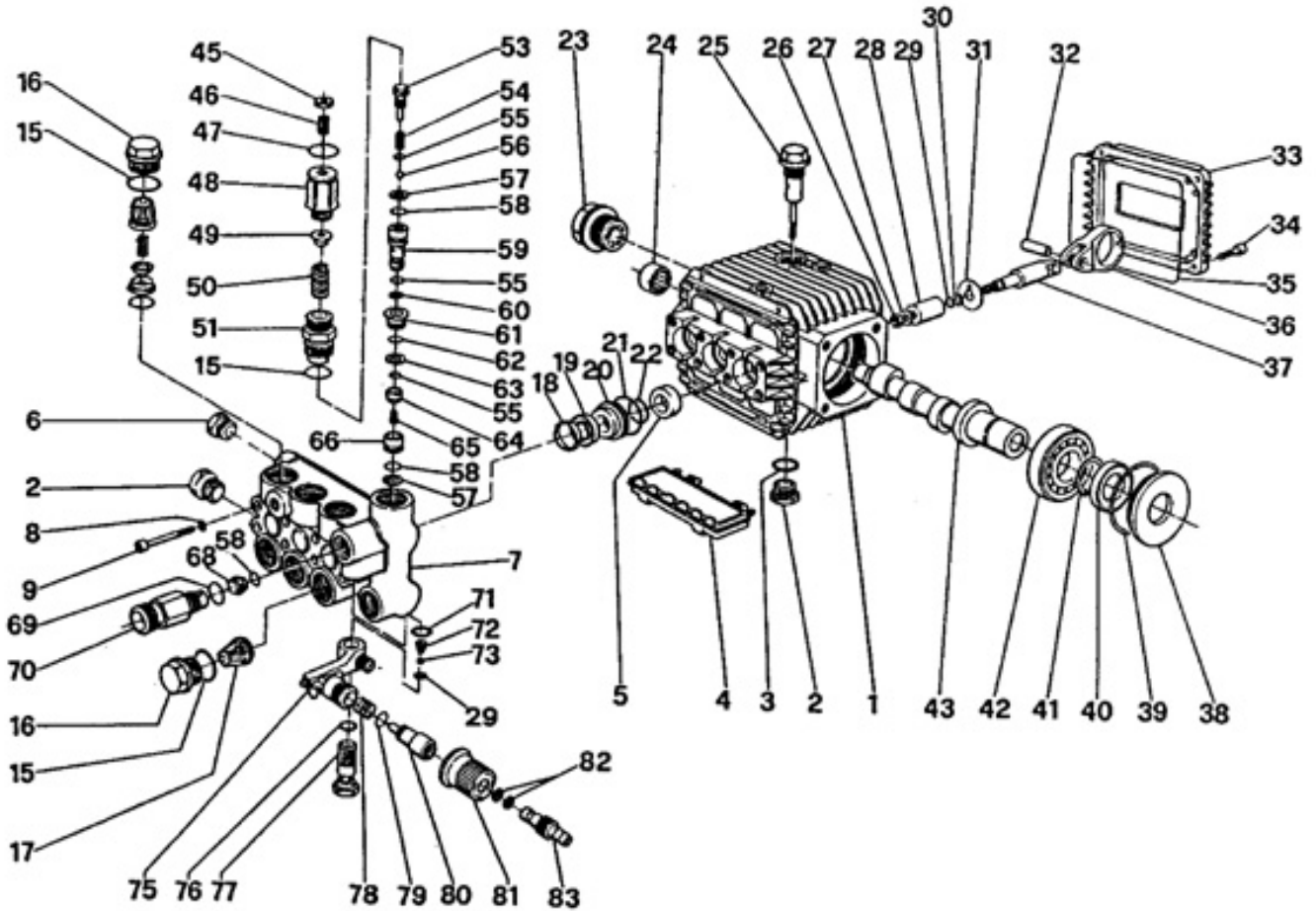
Ref.	K	Part N.	Customer Part N.	Description	Qty	Validity:		Price
						From	To	
0001		PVVR40381		GUN BODY G 5100 G1/4F	1,00			--
0002	S	GUVR40074		ANTI-EXTR.RING D. 3 X 7.4X1.3	1,00			--
0003	S	GUGO21835		O-RING D. 2.84 X 2.62 VIT. 80SH	1,00			--
0004		PVVR40382		PISTON GUIDE G 5100	1,00			--
0005	S	PVVR40112		BALL SEAT G 5000	1,00			--
0006	S	SFVR27026		BALL D.11/32" INX	1,00			--
0007		MLML40016		SPRING D. 9.4 x21.5x1.6 G5000	1,00			--
0008		GUGO12322		O-RING D. 14 X 1.78 NBR 90SH	1,00			--
0009		PVVR40383		CONNECTOR COLL.G5100 1/4F	1,00			--
0010		VTRS40017		WASHER D. 8,2X11,4X1,00	4,00			--
0011		PVVR40384		TUBE G 1/4" L.105	1,00			--
0012		RCIN40022		CONNECTOR SWIV G5100 1/4F	1,00			--
0013		MPVR40486		RING NUT G 5100 SW. GR.	1,00			--
0014		RCIN40021		JOINT SWIV 5100 M22	1,00			--
0015	S	GUVR40075		ANTI-EXTR.RING D. 10 X14X1.5	1,00			--
0016	S	GUVR40076		ANTI-EXTR.RING D. 11.2X14X1.2	1,00			--
0017	S	GUGO15295		O-RING D. 10.82 X 1.78 VIT 80SH	1,00			--
0018		PVVR40386		SCREW SW. G 5100	1,00			--
0019		PVVR40387		SMALL PISTON G 5100	1,00			--
0021		MPVR40487		TRIGGER G 5100-SW	1,00			--
0022		VTVR40047		PLUG D. 4X29	2,00			--
0023		MLML40029		SPRING G 5100	1,00			--
0024		MPVR40488		SAFETY-DEVICE G 5100-SW	1,00			--
0025		MPVR40489		SHELL G 5100-SW DX	1,00			--
0026		MPVR40490		SHELL G 5100-SW SX	1,00			--
0027		VTVT40043		SCREW AF 4X 14 HILO ZN.N	6,00			--
0028		MPVR40491		PLATE G 5100 GR.DX	1,00			--
0029		MPVR40492		PLATE G 5100 GR.SX	1,00			--
0030		LCPR40086		TUBE 1/4 L=420 ZC. 0°	1,00			--
0031		MPVR40493		CONNECTOR G 5100-SW	1,00			--
0032		MPVR40494		PROTECTION P 420 C/AN.	1,00			--
0033		PVVR40119		CONNECTION M22X1,5 IRV G5000	1,00			--
0034		RCIN40009		GUDGEON G 1/4 F IRV G5000	1,00			--
0035		GUVR40034		ANTI-EXTR.RING D. 10 X14	1,00			--
0036		GUGO01946		O-RING D. 9.13 X 2.62 VIT 70SH	1,00			--
0037		MPVR40495		CAP G 5100 REM.	1,00			--
0038		MPVR40198		CAP G 5000	1,00			--



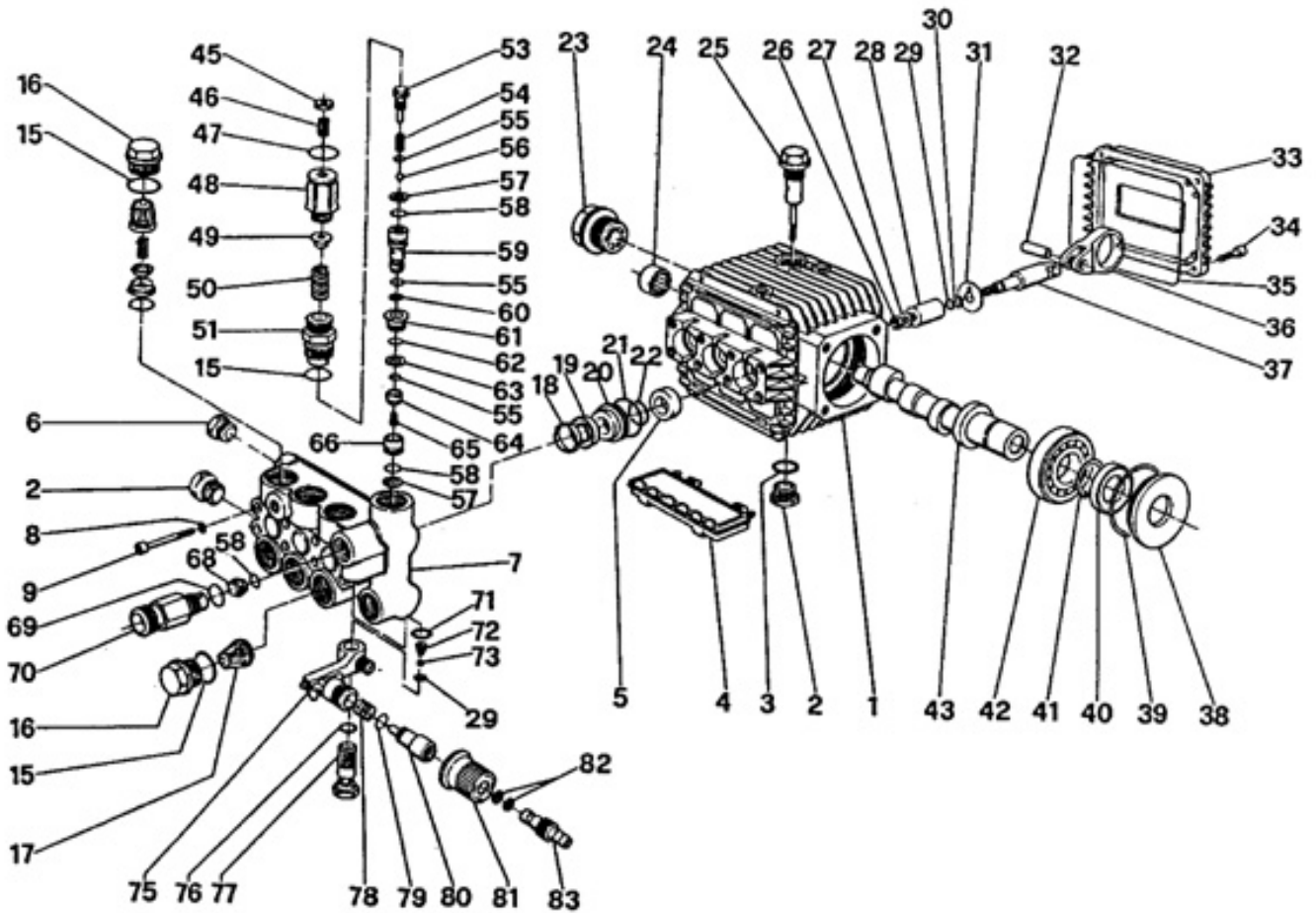
Ref. Part N.	Cust. Part N.	Description	Reference	Price
KTRI40242		KIT P 26- 25 G 5100	0002 0003 0005 0006	--
KTRI40243		KIT P 26- 26 SWIVEL G 5100	0015 0016 0017	--



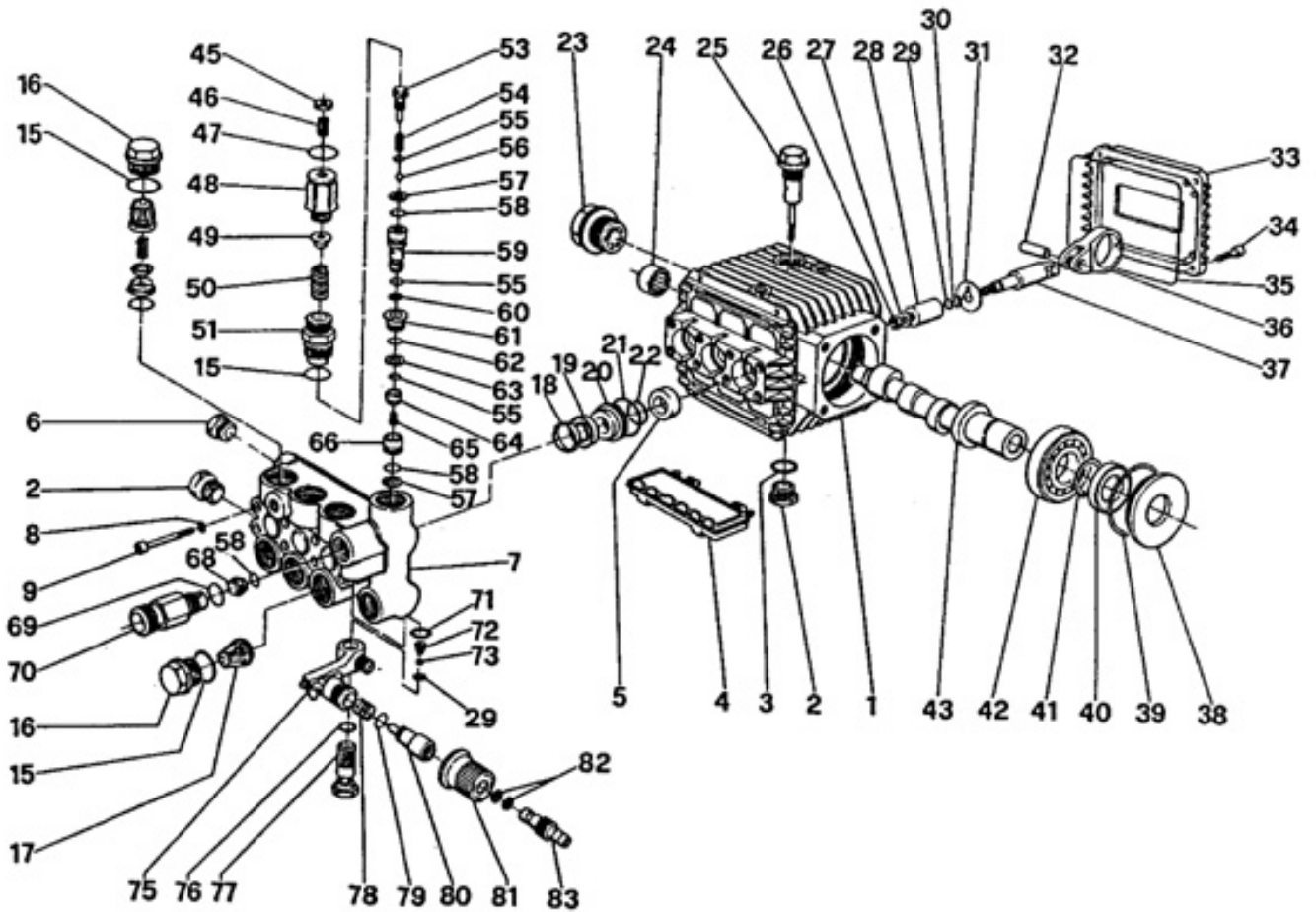
Ref.	K	Part N.	Customer Part N.	Description	Qty	Validity:		Price
						From	To	
0001		VTVR46568		PLUG G 4500	1,00			--
0004		MPVR40157		COVER G 4500 2V.	1,00	05/2008		--
0004		MPVR46563		COVER G 4500	1,00		04/2008	--
0005		MPVR46572		SPACER P 330 ST	1,00			--
0006		LCPR40007		TUBE 1/4 L=352 ZC. 2V.	1,00	05/2008		--
0006		LCPR46571		TUBE 1/4 L=352 ZC.	1,00		04/2008	--
0008		MPVR46569		PLATE G 4500 RD.	1,00			--
0009		MPVR40057		TRIGGER G 4500 -SW	1,00			--
0010		PVVR40030		SMALL PISTON TM ST-2300	1,00			--
0011		GUGO10384		O-RING D. 10 X 2.2 VIT 80SH	1,00			--
0012		RCVR13030		GUDGEON G 1/4 F L=31.5	1,00			--
0013		GUVR10526		ANTI-EXTR.RING D.13.9X10.2 C.BZ	1,00			--
0014		MPVR46570		PROTECTION P 330 ST	1,00			--
0015		PVVR13445		CONNECTION M 22X1,5 L=45	1,00			--
0016		MPVR40058		RING NUT G4500 SW.	1,00			--
0017		RCIN40001		JOINT SWIV 4500 3/8"F	1,00		04/2008	--
0017		RCIN40005		JOINT SWIV 4500 3/8"F 2V.	1,00	05/2008		--
0018		RCIN31641		CONNECTOR SWIV 1500 F	1,00			--
0019		KTRI31645		KIT P 26- 14	1,00			--
0021		PVVR40031		ROD ST-2300	1,00			--
0022		MPVR40156		SHELL G 4500 2V.	1,00	05/2008		--
0022		MPVR46562		SHELL G 4500	1,00		04/2008	--
0023		PVVR40023		TUBE G 1/4" M/M P/SW.	1,00			--
0024		GUGO27021		O-RING D. 11 X 2.5 EPD 70SH	1,00	05/2008		--



Ref.	K	Part N.	Customer Part N.	Description	Qty	Validity:		Price
						From	To	
0001		MFVR12641		PUMP CRANKCASE WW 90B - 93B	1,00			--
0002		RCDS01090		CAP 3/8X13 M WW90	2,00			--
0003		GUGO01035		O-RING D. 13.95 X 2.62 NBR 70SH	1,00			--
0004		PVVR43778		PROTECTION WW S.51	1,00			--
0005	S	GUGO09690		OIL SEAL 15X 24X 5 NBR70	3,00			--
0006		RCDS01088		CAP 1/4X 9 M WW90	1,00			--
0007		MFVR18931		HEAD WW 90 OT. V.INT. D.15	1,00			--
0008		VTRS01077		WASHER D. 6,4X10X0,7	12,00			--
0009		VTVT06236		SCREW TCEI 6X40 UNI5931	8,00			--
0015	S	GUGO01033		O-RING D. 20.24 X 2.62 NBR 90SH	7,00			--
0016		RCDS43779		CAP M 24X1,5X11,2 WW	6,00			--
0017	S	VVAM28467		VALVE UNIT "44" WW136-186	6,00			--
0018	S	PVVR09327		HEAD RING D. 15	3,00			--
0019	S	GUVR09324		PACKING D. 15 TURBO	3,00			--
0020	S	PVVR09687		PACKING RETAIN.D. 15 BJ	3,00			--
0021	S	GUGO03506		O-RING D. 25.12 X 1.78 NBR 70SH	3,00			--
0022	S	GUGO01054		O-RING D. 15.08 X 2.62 NBR 70SH	3,00			--
0023		PVVR01083		OIL INDICATOR G 3/4 W70-151	1,00			--
0024		CUVR09639		ROLLER BEARING BK 1516V	1,00			--
0025		PVVR01089		OIL DIPSTICK W 70	1,00			--
0026		VTDD04284		NUT M8X1,25 X13X5 S2 INX	3,00			--
0027		VTRS09321		WASHER D. 8X13X1	3,00		07/2002	--
0027		VTRS46027		WASHER D. 8 C/CLL.	3,00	07/2002		--
0028		PIVR09641		PISTON D.15 BJ WH.	3,00			--
0029		GUGO01055		O-RING D. 5.28 X 1.78 VIT 70SH	3,00			--
0030		GUVR10257		ANTI-EXTR.RING WW161	3,00			--
0031		VTRS09320		WASHER D. 9X23X0,5	3,00			--
0032		PVVR09646		GUDGEON D. 8X24.5 BJ	3,00			--
0033		MFVR09643		CRANKCASE COVER BJ	1,00			--
0034		VTVT01115		SCREW TCEI 6X18	4,00			--
0035		GUGO27617		O-RING D. 88.57 X 2.62 NBR 70SH	1,00			--
0036		BLVR43780		CONNECTING ROD WW S.51	3,00			--
0037		PVVR09642		PISTON GUIDE BJ	3,00			--
0038		MFVR03565		SPACER W 70	1,00			--
0039		GUGO01040		O-RING D. 55.56 X 3.53 NBR 70SH	1,00			--
0040		GUGO12643		OIL SEAL 30X 42X 7 NBR70	1,00			--
0041		VTAE12644		CIRCLIP D. 30 UNI 7435	1,00			--
0042		CUVR12645		BALL BEARING 6206	1,00			--
0043		ALMO40002		SHAFT WW "C" C.6.6 D.18	1,00			--



Ref.	K	Part N.	Customer Part N.	Description	Qty	Validity:		Price
						From	To	
0045		VTDD09708		NUT M 8 UNI 5589	1,00			--
0046		VTVT20196		SCREW EI-ST 8X20 UNI5923	1,00			--
0047		GUGO01057		O-RING D. 20.35 X 1.78 NBR 70SH	1,00			--
0048		PVVR18672		REGISTER COLT	1,00			--
0049		PVVR11656		SPRING PLATE W1	1,00			--
0050		MLML11655		SPRING D.15X35	1,00			--
0051	S	PVVR18671		BUSHING COLT	1,00			--
0053	S	PVVR18670		LIMIT SWITCH COLT	1,00			--
0054	S	MLML20195		SPRING D. 6.1X19	1,00			--
0055	S	GUGO03497		O-RING D. 6.75 X 1.78 VIT 80SH	3,00			--
0056	S	PVVR89063		COUPLING V.INT. "H"	1,00	04/2009		--
0056	S	SFVR12904		BALL D. 9/32 W1 INX	1,00		03/2009	--
0057	S	GUVR11651		ANTI-EXTR.RING D. 10.6X15X2	2,00			--
0058	S	GUGO03501		O-RING D. 9.92 X 2.62 VIT 70SH	2,00			--
0059	S	PVVR18669		CONTROL PISTON COLT	1,00			--
0060	S	GUVR04309		ANTI-EXTR.RING HM	2,00			--
0061	S	PVVR11653		VALVE GUIDE CONTROL SET W1	2,00			--
0062	S	GUGO11652		O-RING D. 12.42 X 1.78 NBR 70SH	1,00			--
0063	S	GUVR11650		ANTI-EXTR.RING CONTROL SET W1	1,00			--
0064	S	PVVR18668		VALVE CLT	1,00			--
0065	S	VTVT18667		SCREW M 5X0,8X7,5	1,00			--
0066	S	PVVR12887		VALVE SEAT CONTROL SET W1	1,00			--
0068		UGEI09840		NOZZLE D. 2.0 OT58	1,00			--
0069		GUGO03507		O-RING D. 13.95 X 2.62 VIT 70SH	1,00			--
0070		RCDS10544		NIPPLE M22-3/8 M-M D. 3 L=62	1,00			--
0071		GUGO03496		O-RING D. 9.25 X 1.78 NBR 70SH	1,00			--
0072		MLML04264		SPRING D. 4.3X11X7.3 KR	1,00			--
0073		SFVR04274		BALL D. 7/32	1,00			--
0075		PVVR18713		METERING. BODY COLT	1,00			--
0076		GUGO01036		O-RING D. 10.82 X 1.78 NBR 70SH	1,00			--
0077		PVVR09709		VALVE SEAT KR	1,00			--
0078		MLML03616		SPRING D. 9.75X10	1,00			--
0079		GUGO19398		O-RING D. 8.73 X 1.78 VIT 70SH	1,00			--
0080		PVVR09711		COUPLING KR	1,00			--
0081		PVVR09712		KNOB KR P33	1,00			--
0082		GUGO08071		O-RING D. 4.48 X 1.78 NBR 70SH	2,00			--
0083		RCIN09713		JOINT KR	1,00			--



Ref. Part N.	Cust. Part N.	Description	Reference	Price
KTRI18651	KIT P	83	0005	--
KTRI18654	KIT P	15- 86	0020 0021 0022	--
KTRI18655	KIT P	102	0051 0053 0054 0055 0056 0057 0058 0059 0060 0061 0062 0063 0064 0065 0066	--
KTRI20717	KIT P	15-102P SF.ACC.	0051 0053 0054 0055 0056 0057 0058 0059 0060 0061 0062 0063 0064 0065 0066	--
KTRI21664	KIT P	96	0018 0019 0020 0021 0022	--
KTRI21665	KIT P	97	0018 0019 0021 0022	--
KTRI28508	KIT P	15-123	0017	--