



IPC Integrated Professional Cleaning

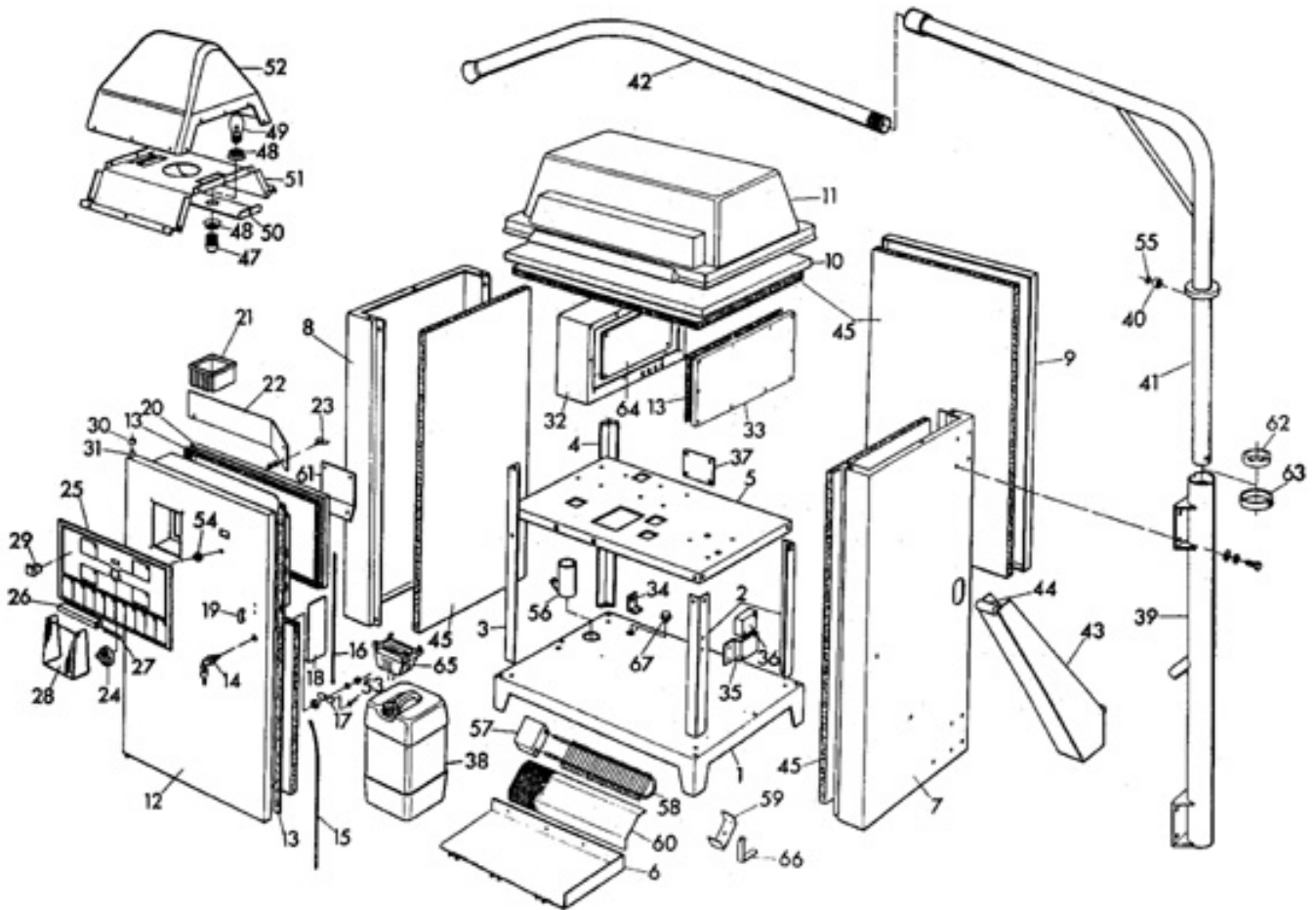
IPC Portotecnica

Spare Parts List

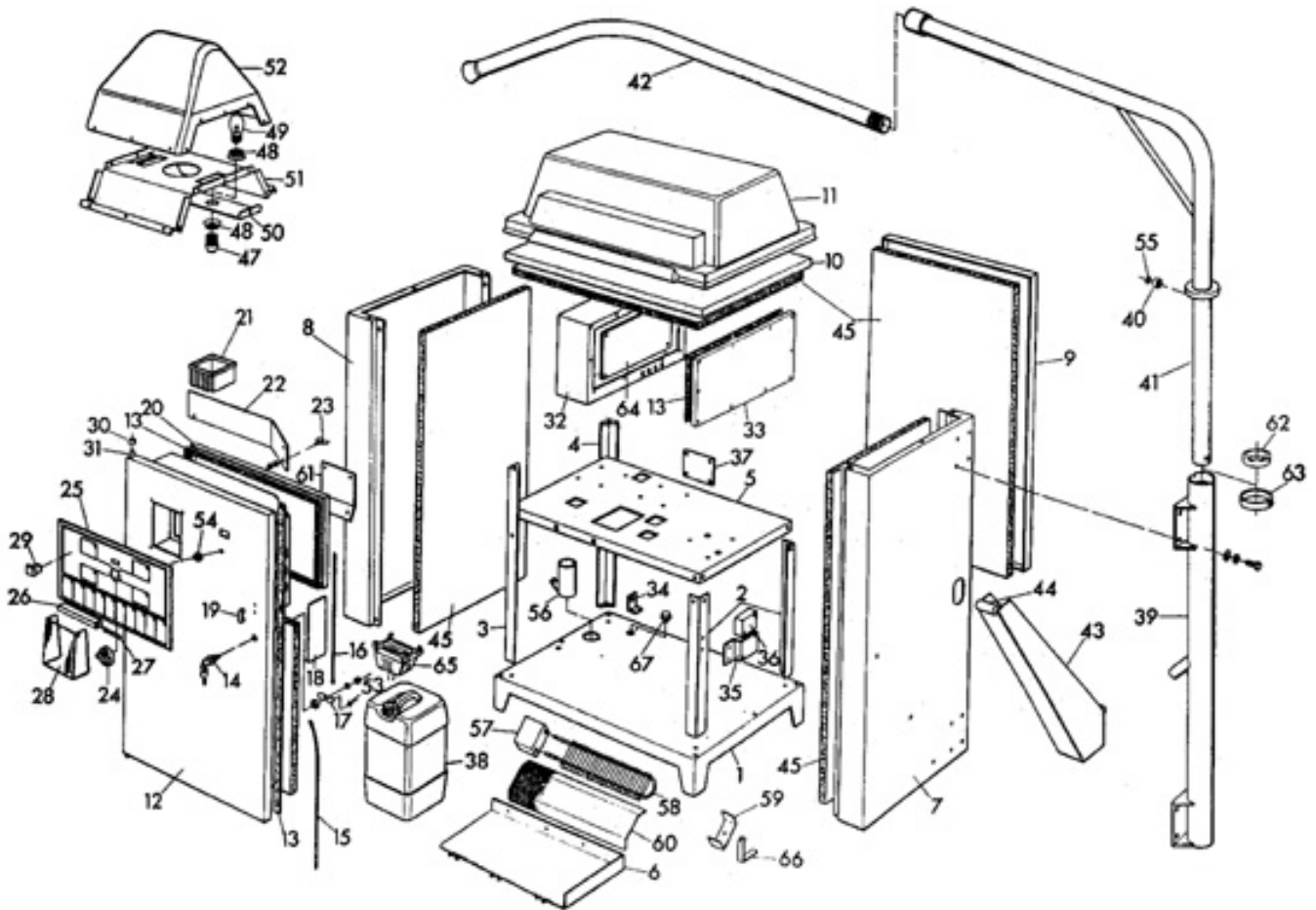
IPF ENGINEERING LTD

Ref: IDAF28906

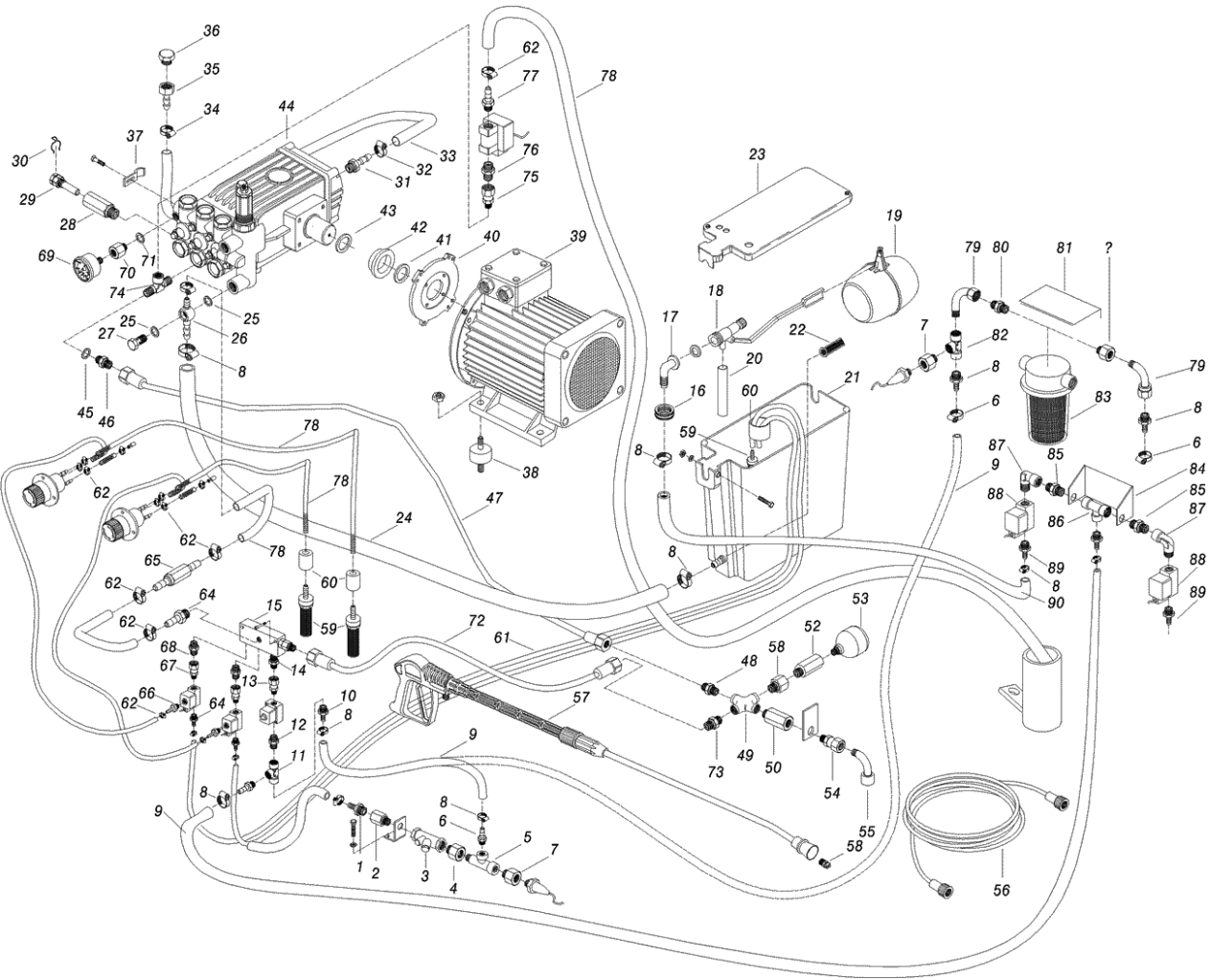
Model: CAR WASH KSC 610 T 400/50 3-01PRT



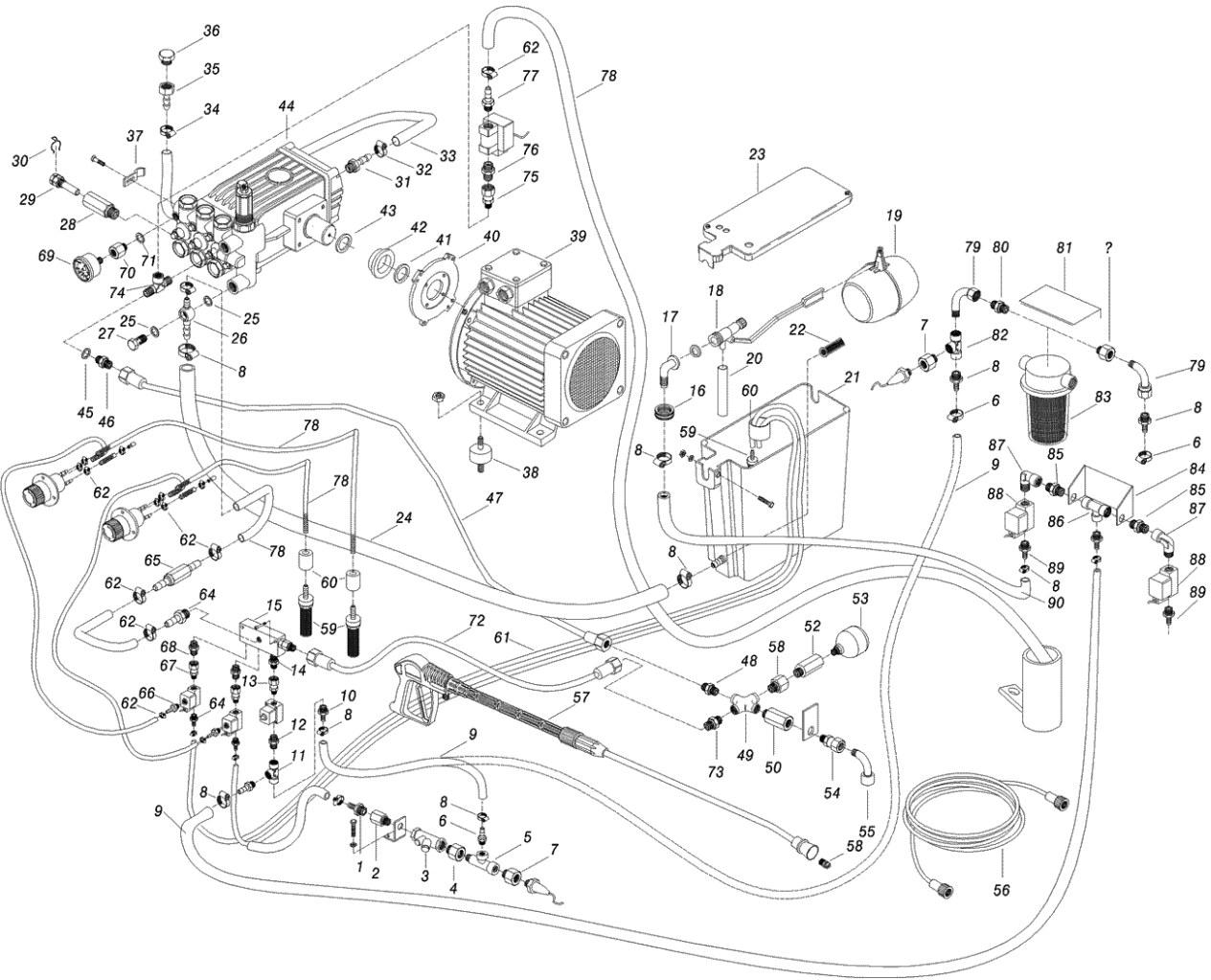
Ref.	K	Part N.	Customer Part N.	Description	Qty	Validity:		Price
						From	To	
0001		LAFN35550		BASE KS 610 AD	1,00	06/1999		--
0002		LAFN13895		SUPP. COLUMN KS8	2,00	10/1998		--
0003		LAFN29209		SUPPORT KS6 ANT.	1,00	10/1998		--
0004		LAFN29062		SUPPORT KS6 PST.	1,00	10/1998		--
0005		LAFN29060		PLANE KS 610	1,00	10/1998		--
0006		LAFN35301		SUPPORT KS 6 INX	1,00	10/1998		--
0007		LAFN29066		LAT. PANEL KS 610 DX PRT	1,00	10/1998		--
0008		LAFN29068		LAT. PANEL KS 610 SX PRT	1,00	10/1998		--
0009		LAFN29074		BACK PANEL KS 610 PRT	1,00	10/1998		--
0010		LAFN29072		PANEL KS 610C/E	1,00	10/1998		--
0011		MPVR29145		COVER KS 610C INS.	1,00	10/1998		--
0012		LAFN29077		DOOR KS 610 RSS	1,00	10/1998		--
0013		GUGO00409		JOINT 15X3	1,80	10/1998		--
0013		GUGO00409		JOINT 15X3	5,30	10/1998		--
0013		GUGO00409		JOINT 15X3	4,00	10/1998		--
0014		CHVR29234		LOCK L=16 T.	1,00	10/1998		--
0015		LAFN29095		ROD KS 610 INF.	1,00	10/1998		--
0016		LAFN29093		ROD KS 610 SUP.	1,00	10/1998		--
0017		LAFN29228		BALANCER KS 610	1,00	10/1998		--
0018		ETET29017		LABEL KS 610 BRC PVC R	1,00	10/1998		--
0019		MPVR13494		HANDLE J.FUT	1,00	10/1998	12/2010	--
0020		LAFN29097		BOX COVER KS 610	1,00	10/1998		--
0021		MPVR25721		CONTAINER PVC 145X140	1,00	10/1998		--
0022		MPVR29126		DOOR KS 610 PLX	1,00	10/1998		--
0023		VTVT15508		SCREW MEPLAG M4-15	2,00	10/1998		--
0024		MPVR10084		SWITCH KNOB O.K.A.	1,00	10/1998		--
0025		ETET29081		LABEL KS 610 POLIC	1,00	10/1998		--
0026		LAFN29089		SUPPORT KS 610 INX	1,00	10/1998		--
0027		LAFN29091		PIN KS 610 INX	1,00	10/1998		--
0028		MPVR29090		SPLASH GUARD KS 610 PLX	1,00	10/1998		--
0029		MELF08354		LAMP SOCKET CIAM V.	1,00	10/1998		--
0030		MPVR14443		BUSHING KS8 NYL	2,00	10/1998		--
0032		LAFN29086		CONTROL BOX KS 610	1,00	10/1998		--
0033		LAFN29088		BOX COVER KS 610 PTZ.	1,00	10/1998		--
0034		LAFN21700		FILTER SUPPORT F.165B S.	1,00	10/1998		--
0034		LAFN29116		SUPPORT KS C	1,00	10/1998		--
0035		LAFN35298		SUPPORT BRACKETKS 6	1,00	10/1998		--
0037		LAFN13905		SUPPORT BRACKETKS8	1,00	10/1998		--
0038		MPVR13701		TANK 28LT 460X300X240 SN	2,00	10/1998		--



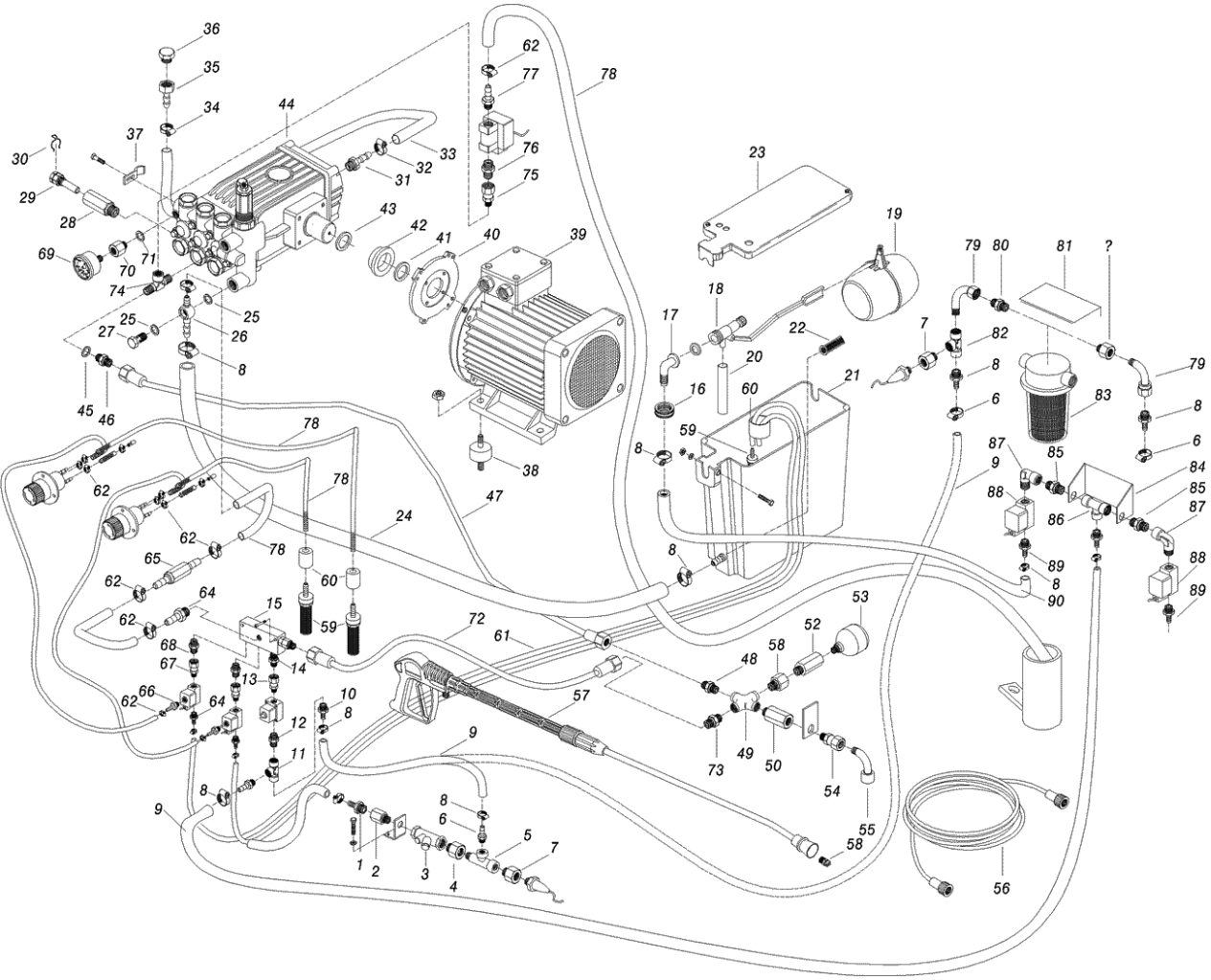
Ref.	K	Part N.	Customer Part N.	Description	Qty	Validity:		Price
						From	To	
0039		LAFN29108		ARM SUPPORT KS 610	1,00			--
0040		CUVR13934		BALL BEARING 607-2RS	1,00			--
0041		LAFN13922		LOWER ARM KS8	1,00			--
0042		LAFN13924		UPPER ARM KS8	1,00			--
0043		LAFN29054		LANCE REST KS 610 FSS	1,00			--
0044		MPVR29055		PROTECTION KS 610 NYL.	2,00			--
0045		ITSO33963		SOUND-PROOFING KS 610 8 PZ.	1,00			--
0047		MELF02829		LAMP SOCKET ED 27 220V	1,00			--
0048		MPVR29626		RING NUT E 27	1,00			--
0050		LAFN29152		BRACKET KS/VCM	1,00			--
0051		LAFN29151		PANEL KS/VCM	1,00			--
0052		MPVR29149		PANEL KS/VCM SRG.	1,00			--
0053		VTAE29352		CIRCLIP D. 4 UNI 7434	2,00	10/1998		--
0054		MPVR08122		TAIL PIECE FUT.	1,00	10/1998		--
0055		VTAE13935		CIRCLIP D. 7 UNI 7435	1,00			--
0056		LAFN35300		PROTECTION KS 6	1,00			--
0057		MEVR35341		BOX APV9 KS 6	1,00			--
0058		MECE35305		RESISTANCE 160 OHM 1000W 400V	1,00			--
0059		LAFN35302		BRACKET KS 610 INX	2,00			--
0060		LAFN35296		SUPPORT KS 610	1,00			--
0061		LAFN29125		SUPPORT BRACKETKS 610	1,00	10/1998		--
0062		MPVR13933		BUSHING NYL KS8	1,00			--
0063		MPVR29130		BUSHING BR.GIR. NYL	1,00			--
0064		LAFN29123		JUNCTION BOARD KS 610	1,00	10/1998		--
0066		LAFN35572		BRACKET KS AD	1,00			--
0067		MEVR13621		CABLE FASTNER D.16	1,00			--
0068		MEVR27264		FUSE-HOLDER 031-1081	3,00			--



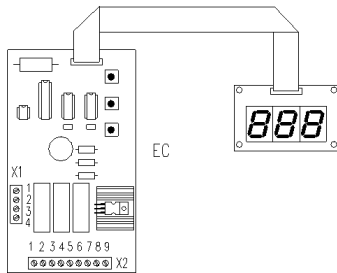
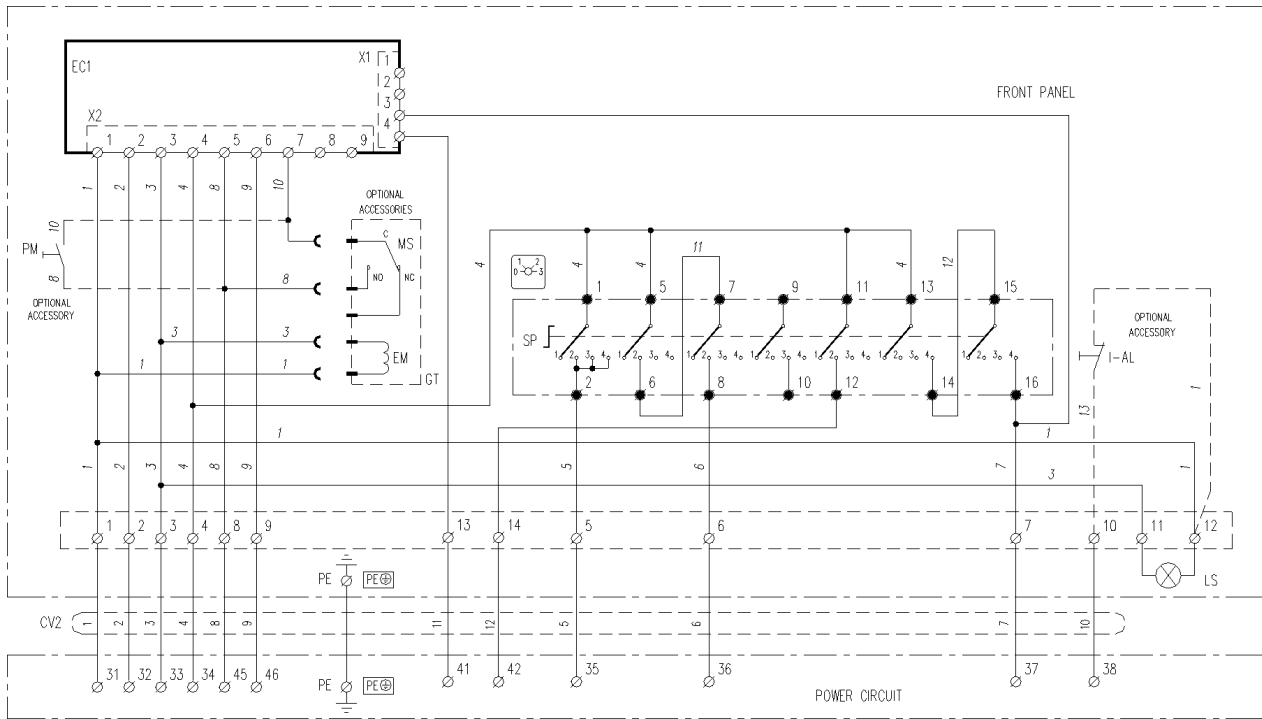
Ref.	K	Part N.	Customer Part N.	Description	Qty	Validity:		Price
						From	To	
0001		RCDS02689		HOSE FITTING 1/2 M D.12-16	1,00	10/1998	--	--
0002		RCVR00647		REDUCTION 3/4-1/2 M/F	1,00	10/1998	--	--
0003		FTAC33904		FILTER 3/4 F/F 2.VERS.	1,00	10/1998	--	--
0004		RCVR00647		REDUCTION 3/4-1/2 M/F	1,00	10/1998	--	--
0005		RCVR02580		TEE UNION 1/2 F/F/M	1,00	10/1998	--	--
0006		RCDS02689		HOSE FITTING 1/2 M D.12-16	1,00	10/1998	--	--
0007		RCVR02606		REDUCTION 1/2-1/4 M/F	1,00	10/1998	--	--
0008		FSVR00431		CLAMP D. 16-25	4,00	10/1998	--	--
0009		TBBP00055		L.P. HOSE D.15-23 10BAR AY TOK.	0,88	02/1999	--	--
0009		TBBP00055		L.P. HOSE D.15-23 10BAR AY TOK.	1,35	10/1998	--	--
0010		RCDS02689		HOSE FITTING 1/2 M D.12-16	2,00		--	--
0011		RCVR00670		TEE UNION 1/2 F/F/F	1,00	04/2007	--	--
0012		RCDS00612		NIPPLE 1/2 - 1/2 D 12 SV	1,00		--	--
0013		RCVR00564		SWIVEL RACCORD 1/2 M/F	1,00		--	--
0014		RCDS00609		NIPPLE 1/2 - 1/4 SV	1,00		--	--
0015		RCDS29058		BLOCK 6VIE 5X1/4F 1X3/8F KS 610	1,00	10/1998	--	--
0016		RCDS10356		RING NUT FUT	1,00	10/1998	--	--
0017		RCDS10357		HOSE FITTING FUT 90°	1,00	10/1998	--	--
0018		RCGR10358		TAP UG. D. 7	1,00	10/1998	--	--
0019		RCGR01387		PLASITC BALL D.104	1,00	10/1998	--	--
0020		TBBP17436		L.P. HOSE D.12-14 RILSAN NT.	0,17	10/1998	--	--
0021		MPVR22117		WATER TANK FUT PPL BK.	1,00	10/2002	--	--
0022		FTDT21315		FILTER D.20X45 18LT	1,00		--	--
0023		MPVR10353		TANK COVER FUT PPL BK.	1,00	10/1998	--	--
0025		VTRS12491		WASHER 1/2	1,00	10/1998	--	--
0026		RCDS29156		CONNECTOR O. 1/2 - 5.5-16+5-7	1,00	10/1998	--	--
0027		RCDS10271		SCREW G 1/2 L=41.5	1,00	10/1998	--	--
0029		RCDS00593		SUMP IM 0-120 L=50	1,00	10/2003	--	--
0030		MLML02623		SPRING IMT	1,00	10/1998	--	--
0031		RCDS18014		HOSE FITTING 1/4 M D. 7-13	1,00	10/1998	--	--
0032		FSVR17154		CLAMP D. 13-20	1,00	10/1998	--	--
0033		TBCO15910		L.P. HOSE D.10-19	1,00	10/1998	--	--
0034		FSVR00429		CLAMP D. 16-20 66-165	1,00	10/1998	--	--
0035		RCDS00628		HOSE FITTING 3/8 F D. 7-10	1,00	10/1998	--	--
0037		MEVR00253		CLIP D. 9	1,00	10/1998	--	--
0038		ABGO00390		VIBRATION DAMP.40X30- 2M8X25 -60+5SH	4,00	10/1998	--	--
0039		MOTR06342		3PH MOTOR AC HP 3.0 23/400V 50HZ CU	1,00	02/1999	--	--
0040		MFVR21309		COUNTERFLANGE MEC 90-100-112	1,00	02/1999	--	--
0041		GUGO21339		O-RING D. 29.82 X 2.62 VIT 70SH	1,00	10/1998	--	--



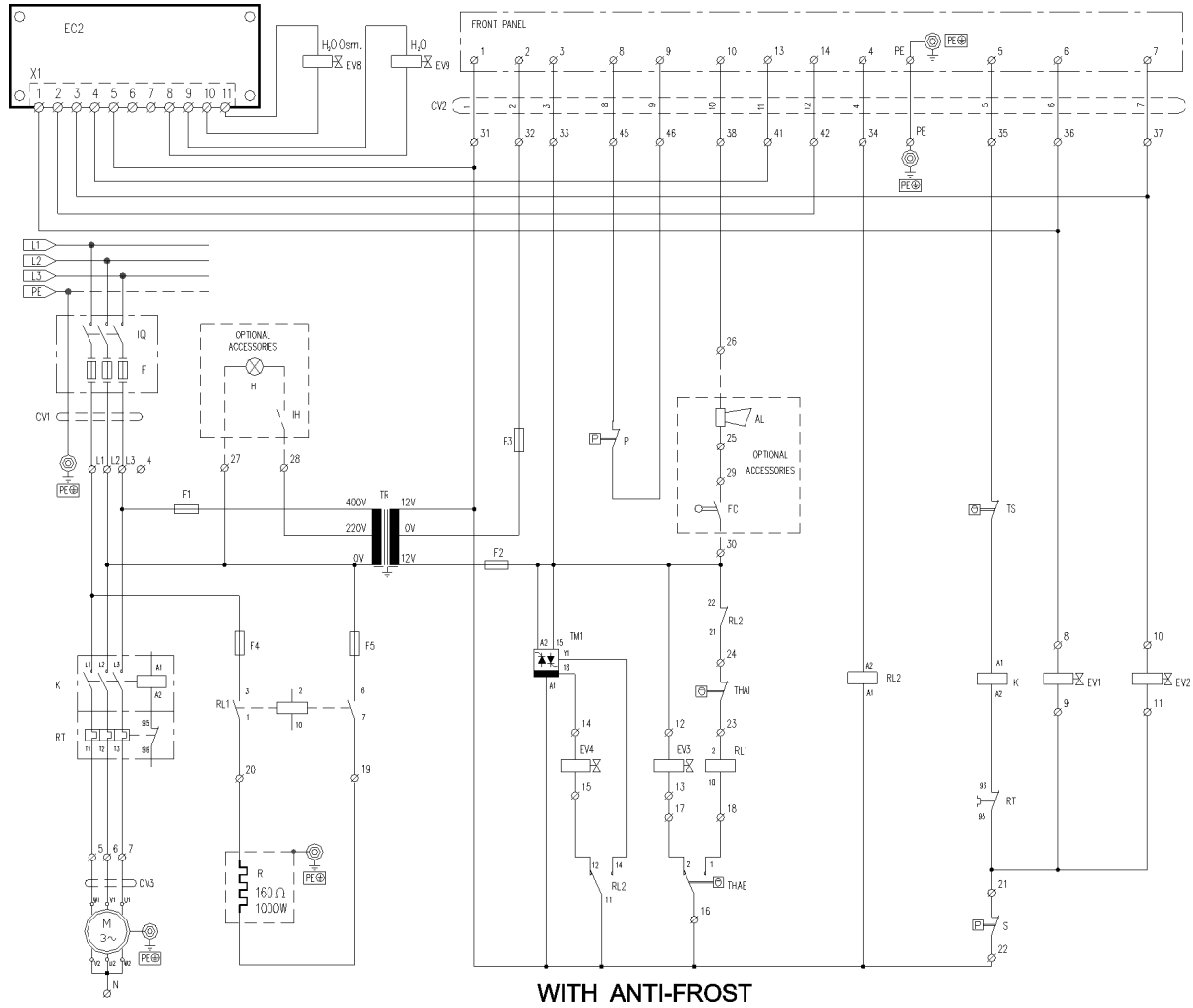
Ref.	K	Part N.	Customer Part N.	Description	Qty	Validity:		Price
						From	To	
0042		RCDS25578		BUSHING IP WW141 OT.	1,00	10/1998		--
0043		GUGO21337		O-RING D. 25.07 X 2.62 VIT 70SH	1,00	10/1998		--
0044		PPAP88534		PUMP "63" EL1413V DX T.OT.H CP	1,00	10/2003		--
0045		VTRS00548		WASHER D.17,5X23X1,5 (3/8)RM	1,00	10/1998		--
0047		TBAP29084		HOSE-FITTING 5/16 R2 L=630 0-90° 3/8F	1,00	10/1998		--
0048		RCDS00610		NIPPLE 3/8 - 3/8 SV	1,00	10/1998		--
0049		RCVR00676		CROSS 3/8 F	1,00	10/1998		--
0050		RCDS01374		SLEEVE 3/8 M/F L40/52	1,00	10/1998		--
0051		RCVR02607		REDUCTION 3/8-1/4 M/F	1,00	10/1998		--
0052		RCDS13818		SLEEVE 1/4-M14X1.5 M/F	1,00	10/1998		--
0053		ACID08195		ACCUMULATOR M 14X1.5 30BAR	1,00	10/1998		--
0054		RCVR00563		SWIVEL RACCORD 3/8 M/F	1,00	10/1998		--
0055		RCVR00574		ELBOW 3/8" M/F A10	1,00	10/1998		--
0056		TBAP00012		H.P. HOSE R1 MT 10 5/16" 3/8 M-M	1,00	10/1998		--
0057		LCLC19872		LANCE L=100 CM - ST1500 WIIP	1,00			--
0058		UGLN02292		NOZZLE LECH 1/4 4005	1,00	10/1998		--
0059		FTDT01386		FILTER 3/8F C/V.NR + PG	2,00	10/1998		--
0060		RCDS15346		WEIGHT DET.	1,00	10/1998		--
0061		TBBP04917		L.P. HOSE D. 6- 9	0,45	10/1998	04/2012	--
0061		TBBP93804		L.P. HOSE D. 6- 9	0,45	05/2012		--
0062		FSVR15255		CLAMP D. 8-12	5,00	10/1998		--
0063		RCGR08658		DETERGENT TAP ST 66	1,00	10/1998		--
0064		RCDS00626		HOSE FITTING 1/4 M D. 5- 7	1,00	10/1998		--
0064		RCDS00626		HOSE FITTING 1/4 M D. 5- 7	2,00	10/1998		--
0065		VVSF22229		VALVE PG 2X D. 3X D. 3X7.5	1,00			--
0066		RCDS29082		HOSE FITTING 1/8 F D. 7 EL.KS 610	2,00	10/1998		--
0067		RCVR00562		SWIVEL RACCORD 1/4 M/F	2,00	10/1998		--
0068		RCDS00607		NIPPLE 1/4 - 1/4 SV	2,00	10/1998		--
0069		MNMN18650		PRESSURE GAUGE 0-300 D.40	1,00	10/2003		--
0070		RCVR00644		REDUCTION 1/4-1/8 M/F	1,00	10/2003		--
0071		VTRS04931		WASHER COPPER D.13X19X1.5	1,00	10/1998		--
0072		TBAP25930		HOSE-FITTING 5/16 R2 L=630 0- 0° 3/8F	1,00			--
0073		RCDS00610		NIPPLE 3/8 - 3/8 SV	2,00			--
0074		RCVR72846		CONNECTOR A T 3/8M 1/4F 3/8M-OT	1,00	10/2003		--
0075		RCVR00562		SWIVEL RACCORD 1/4 M/F	1,00			--
0076		RCDS08963		NIPPLE 1/4 - 1/4 FUT	1,00			--
0077		RCDS00626		HOSE FITTING 1/4 M D. 5- 7	1,00			--
0078		TBCO06945		L.P. HOSE D. 6-12 10BAR C.PRESS	4,00			--
0078		TBCO06945		L.P. HOSE D. 6-12 10BAR C.PRESS	0,08	10/1998		--



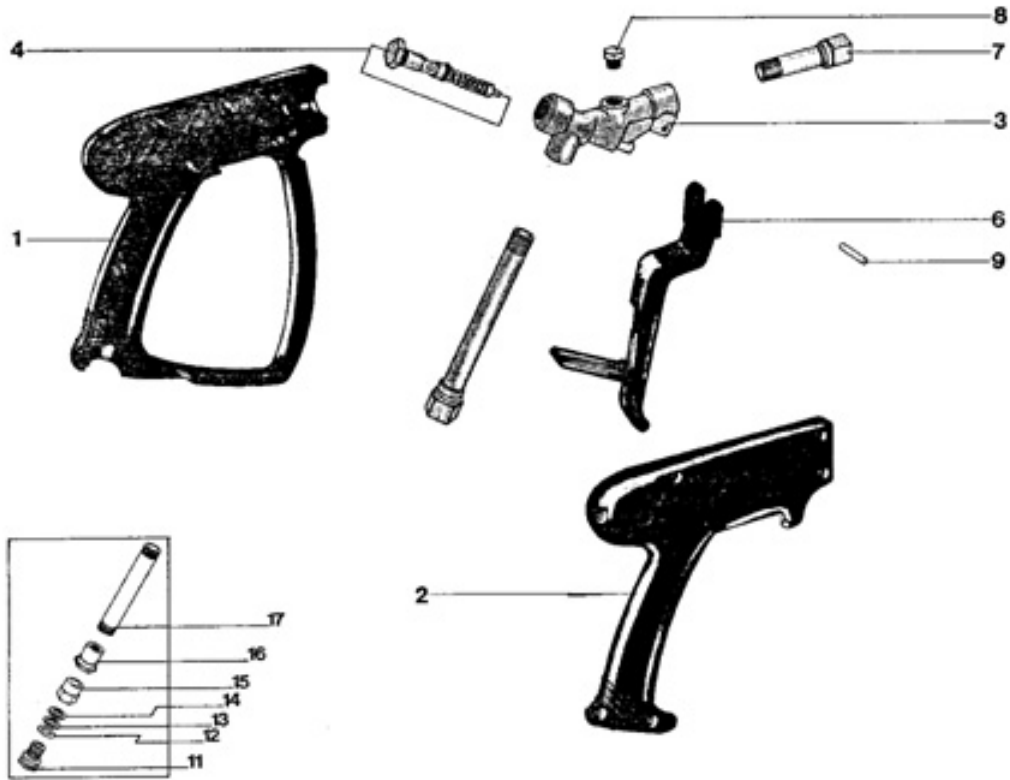
Ref.	K	Part N.	Customer Part N.	Description	Qty	Validity:		Price
						From	To	
0078		TBCO06945		L.P. HOSE D. 6-12 10BAR C.PRESS	0,70	10/1998		--
0078		TBCO06945		L.P. HOSE D. 6-12 10BAR C.PRESS	0,80	10/1998		--
0079		RCVR00575		ELBOW 1/2" M/F A10	2,00	04/2007		--
0080		RCDS00613		NIPPLE 3/4 - 1/2 SV	1,00			--
0081		LAFN29656		FILTER BRACKET KS 610	1,00			--
0083		FTAC29167		FILTER CEAN DF900 H.315 INX 150M	1,00			--
0084		LAFN40013		BRACKET KS 610 IX	1,00	04/2007		--
0085		RCDS34733		NIPPLE 1/2 - 1/2 D.12 OT	2,00	04/2007		--
0086		RCVR00670		TEE UNION 1/2 F/F/F	1,00	04/2007		--
0087		RCVR00575		ELBOW 1/2" M/F A10	2,00	04/2007		--
0088		MEBE34634		COIL PARK ZB12 IMQ 24V DC	2,00	04/2007		--
0089		RCDS34731		HOSE FITTING 1/2 M D.12-17 OT	3,00	04/2007		--
0090		TBBP00055		L.P. HOSE D.15-23 10BAR AYTOK.	0,50	04/2007		--



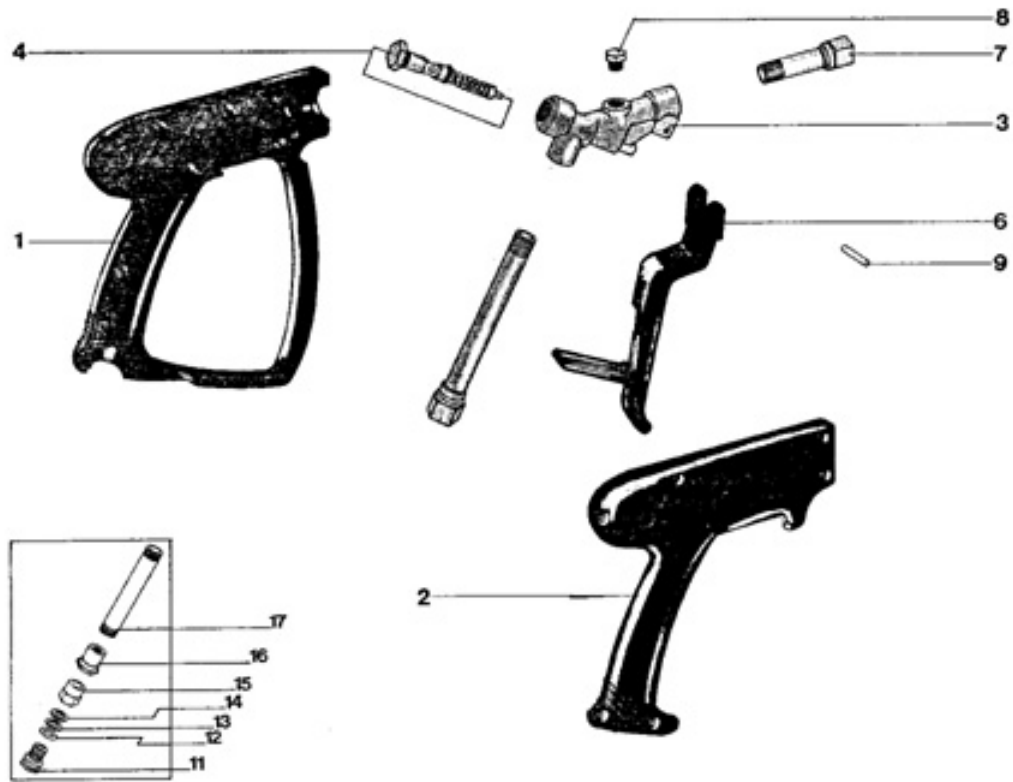
Ref.	K	Part N.	Customer Part N.	Description	Qty	Validity:		Price
						From	To	
EM		MEBE27386		ELECTRO-MAGNET 24V AC	1,00			--
LS		MELF02807		LAMP 24V 3 W	1,00	10/1998		--
MS		MECE16230		MICRO-CROUZET 83 137 5A 250V	1,00			--
SP		MECI13841		SWITCH BRM ITH 16A IP20	1,00	10/1998		--
EC1		MECE43147		PCB KS 610 +BZ -D.PLY 2.V	1,00	05/2001		--



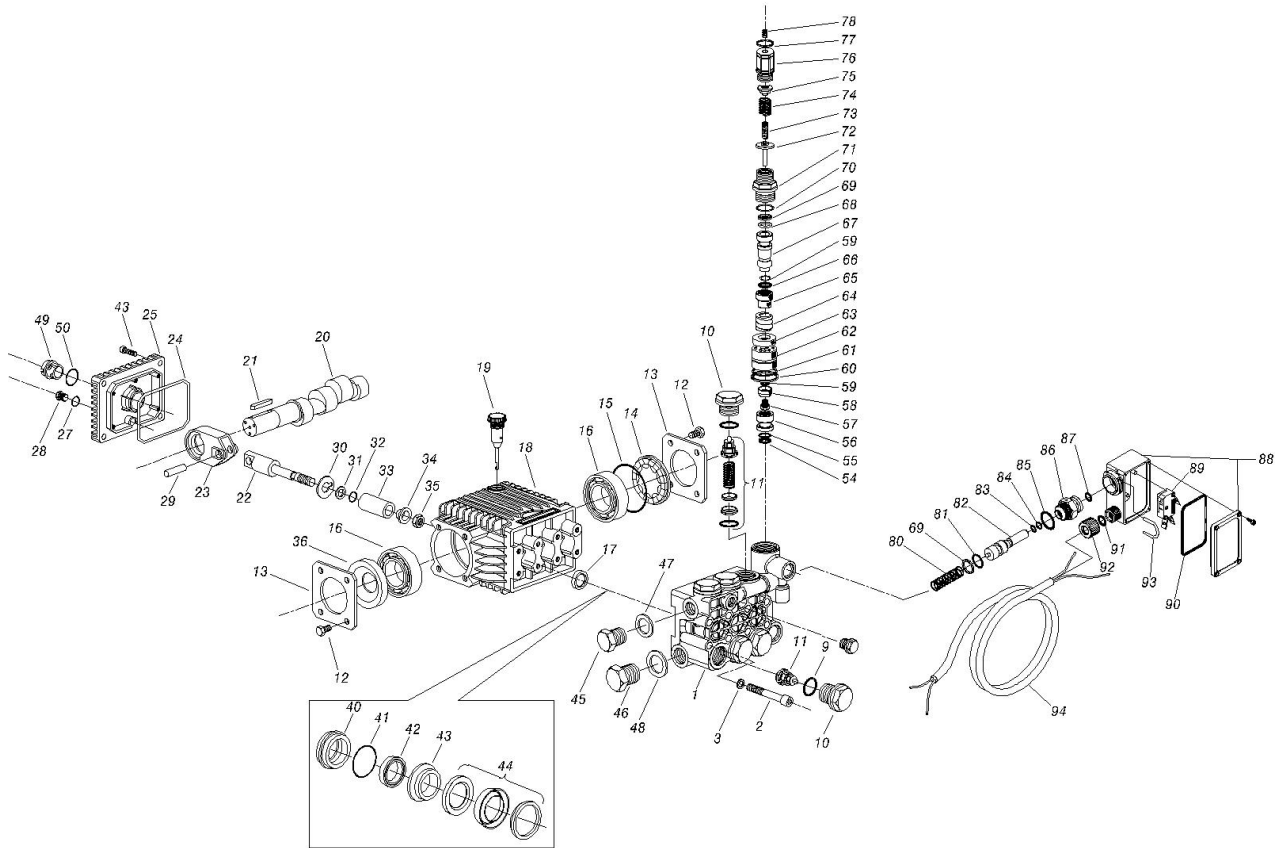
Ref.	K	Part N.	Customer Part N.	Description	Qty	Validity:		Price
						From	To	
H		MELF29532		LAMP NEON 240 V 14W WH.	1,00			--
K		METT40008		CONTACTOR SIE 3RT 2016-1AB01 24V	1,00	01/2015		--
K		METT45018		CONTACTOR SIE 3RT 1016 1AB01 24V	1,00	11/2001	01/2015	--
P		MEPF13871		PRESSURE SWITCH1/4 M N.A. 1.5BAR OT	1,00	10/1998		--
R		MECE35305		RESISTANCE 160 OHM 1000W 400V	1,00			--
S		MEPF39924		PRESSURE SWITCHSLV N.A. 16(6)A XGA 2	1,00	10/2003		--
F2		MEVR02821		FUSE 5X20 4A T	1,00	10/1998		--
IH		MECI30499		SWITCH 10A - 250VAC	1,00	02/2003		--
RT		METT40033		THERMAL RELAY SIE 3RU2116-1JB0 7-10 A	1,00	01/2015		--
RT		METT45027		THERMAL RELAY SIE 3RU1116-1JB0 7-10 A	1,00	11/2001	01/2015	--
TR		METR01886		TRANSFORMER 200VA 380/220-12/24V	1,00	10/1998		--
TS		METK34839		THERMOSTAT 60°C TR/711-N C.1.5	1,00	10/1998		--
CV1		MECB25793		CABLE H07 RNF 4X2.5 L=6.500	1,00	10/1998		--
EC2		MECE34694		PCB WME/1 AD 910	1,00	04/2007		--
EV3		MEEV33751		SOLENOID VALVE SCEM 2V. 1/2F	1,00			--
EV4		MEEV29002		SOLENOID VALVE PARK 2V. 1/4 C02-H00F	1,00			--
RL1		MERL06520		SWITCH RELAY FIND 24V CA 60.13U	1,00			--
RL2		MERL13852		SWITCH RELAY OMR 24 VAC 10A MY2-S	1,00		09/2008	--
RL2		MERL40001		SWITCH RELAY FIND 40.52 2SC. 8A 24VAC	1,00	09/2008		--
TM1		METY46132		TIMER MCR1.C 0.1S-100H 24-240V	1,00			--
EV12		MEEV13873		SOLENOID VALVE SCEM 1/4F 3V VE139LV	2,00			--
F1,3		MEVR02820		FUSE 5X20 1,6A	2,00	10/1998		--
F4,5		MEVR00237		FUSE 5X20 3,15A	2,00			--
THAE		METK05905		THERMOSTAT TA 3 THER.	1,00		11/2008	--
THAE		METK40004		THERMOSTAT TG COLIBRI'31 10°+30°	1,00	12/2008		--
THAI		METK13801		THERMOSTAT IM TR 2 - TA -5°+35°	1,00			--



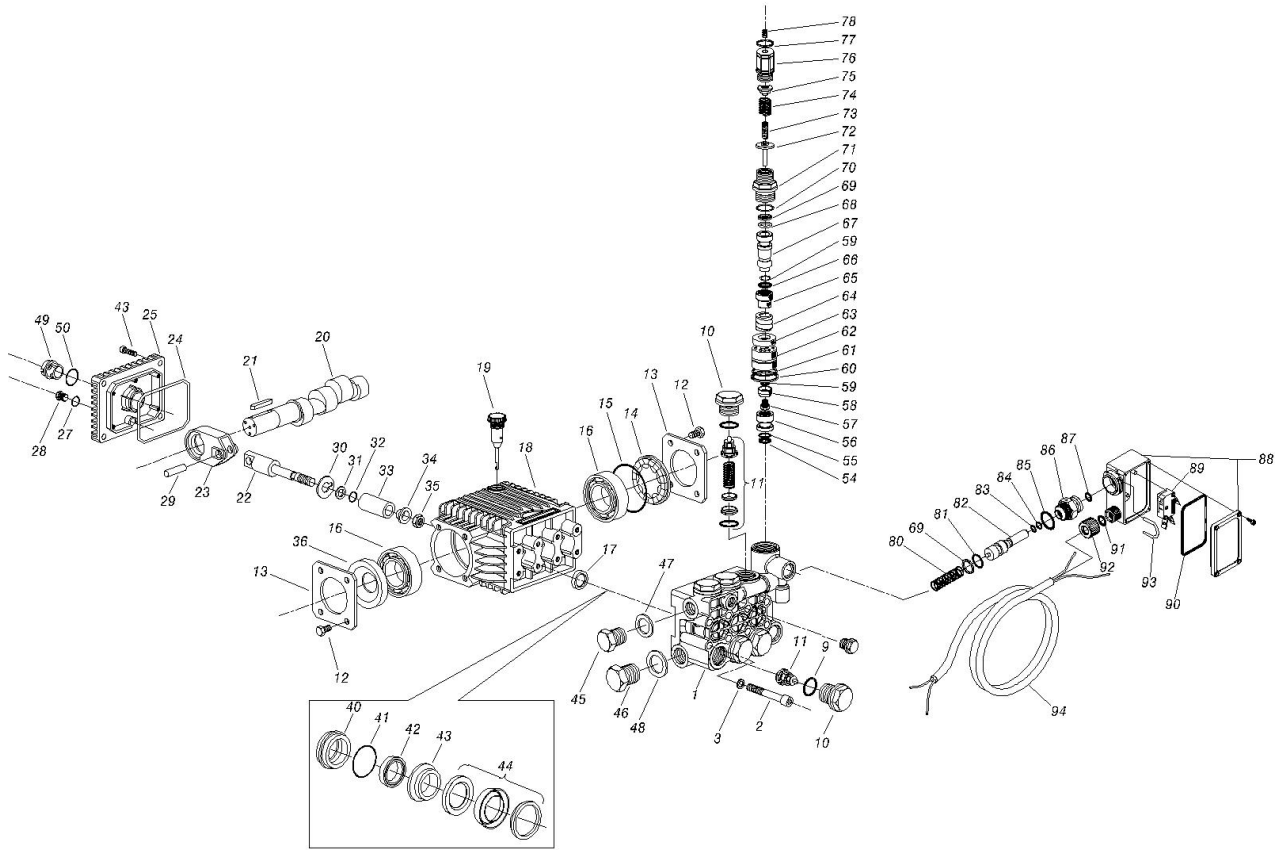
Ref.	K	Part N.	Customer Part N.	Description	Qty	Validity:		Price
						From	To	
0001		PVVR21710		LO.HALF BEARINGST 1500	1,00			--
0002		PVVR21711		UP.HALF BEARINGST 1500	1,00			--
0003		PVVR08146		BRASS HOUSING ST 2000	1,00			--
0004		KTRI28193		KIT P 26- 13	1,00			--
0006		PVVR08143		TRIGGER	1,00			--
0007		PVVR08147		CONNECTOR 1/4 ST 2000	1,00			--
0008		RCDS08145		CAP G 1/8" OT	1,00			--
0009		PVVR08149		PIN ST 2000	1,00			--
0011	S	RCIN31640		CONNECTOR SWIV 1500	1,00			--
0012	S	GUGO01036		O-RING D. 10.82 X 1.78 NBR 70SH	1,00			--
0013	S	GUVR29268		ANTI-EXTR.RING D. 11.1 X13.9	1,00			--
0014	S	GUVR29269		ANTI-EXTR.RING D. 10 X12.8	1,00			--
0015		RCIN31642		JOINT SWIV 1500 3/8"F	1,00			--
0016		RCIN31641		CONNECTOR SWIV 1500 F	1,00			--
0017		PVVR31643		TUBE G 1/4" L.119	1,00			--



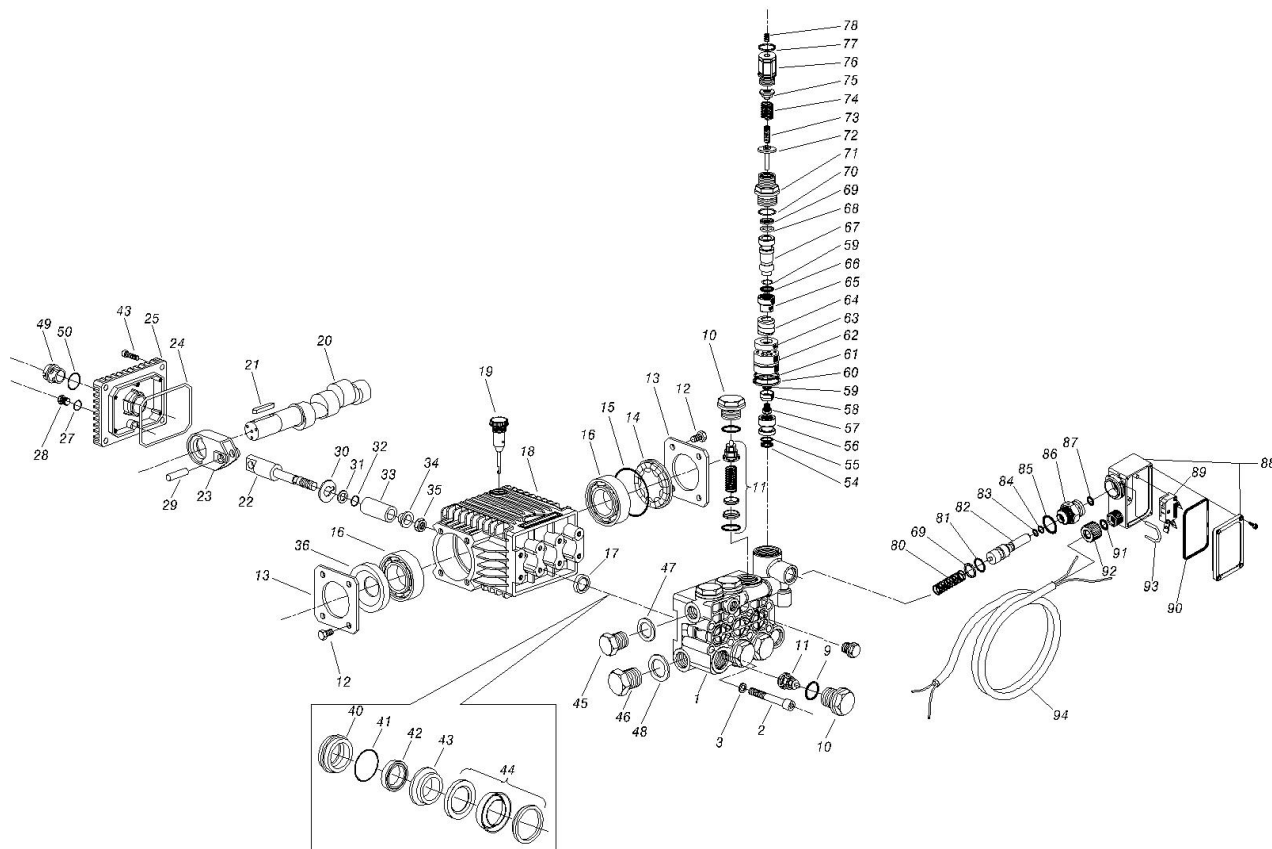
Ref. Part N.	Cust. Part N.	Description	Reference	Price
KTRI31645		KIT P 26- 14	0011 0012 0013 0014	--



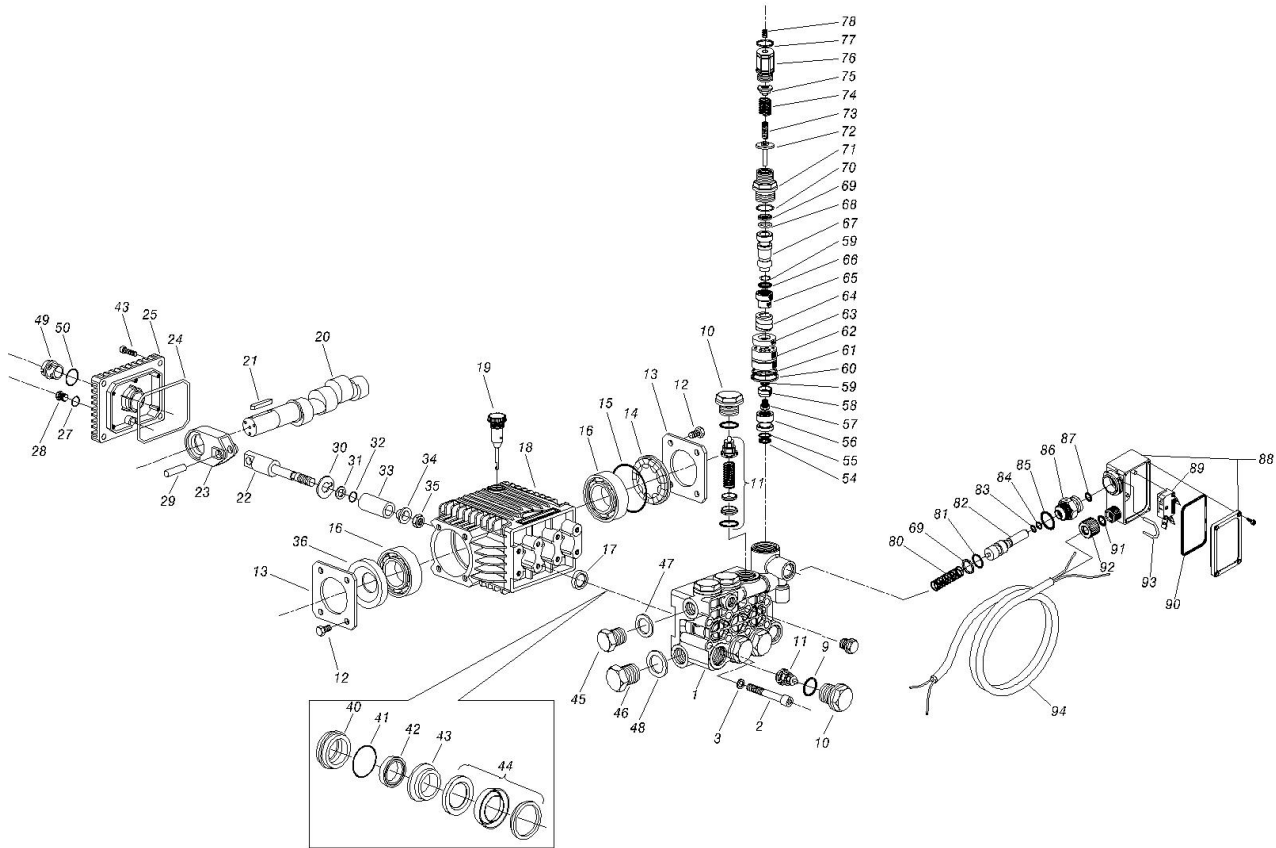
Ref.	K	Part N.	Customer Part N.	Description	Qty	Validity:		Price
						From	To	
0001		MFVR46813		HEAD "63" D.18 V.INT.TS OT	1,00			--
0002		VTVT46018		SCREW TCEI M 8X 65 UNI 5931 TRP	8,00			--
0003		VTRS14242		WASHER D. 8.4X13X0.8 UNI7064 SCH	8,00			--
0009	S	GUGO19395		O-RING D. 20.24 X 2.62 NBR 70SH	6,00			--
0010	S	RCDS28466		CAP M24X1.5X17 "44"	6,00			--
0011	S	VVAM28467		VALVE UNIT "44" WW136-186	6,00			--
0012		VTVT01109		SCREW TE M 6X 10 ZC. UNI 5739	8,00			--
0013		MFVR03562		CRANKCASE COVER W 70	2,00			--
0014		MFVR28454		SPACER "44"	1,00			--
0015		GUGO01040		O-RING D. 55.56 X 3.53 NBR 70SH	1,00			--
0016		CUVR09654		BALL BEARING 6305	2,00			--
0017	S	GUGO46019		OIL SEAL 18X 26X 6 -L.CM -NBR70SH	3,00			--
0018		MFVR46020		PUMP CRANKCASE "63"	1,00			--
0019		PVVR01089		OIL DIPSTICK W 70	1,00			--
0020		ALMO46021		SHAFT "63" N C.12 D.24	1,00			--
0021		VTVR45821		KEY 8X 7X22 UNI 6604	1,00			--
0022		PVVR46022		PISTON GUIDE "63"	3,00			--
0023		BLVR46023		CONNECTING ROD "63"	3,00			--
0024		GUGO18695		O-RING D. 101.27 X 2.62 NBR 70SH	1,00			--
0025		MFVR46024		CRANKCASE COVER "63"	1,00			--
0026		VTVT01114		SCREW TCEI 6X14 UNI 5931	4,00			--
0027		GUGO01036		O-RING D. 10.82 X 1.78 NBR 70SH	1,00			--
0028		RCDS01088		CAP 1/4X 9 M WW90	2,00			--
0029		PVVR46025		GUDGEON D. 9X27,5 "63"	3,00			--
0030		VTRS46026		WASHER D. 9X25X0,5 "63"	3,00			--
0031		GUVR10257		ANTI-EXTR.RING WW161	3,00			--
0032		GUGO10464		O-RING D. 5.28 X 1.78 NBR 70SH	3,00			--
0033		PIVR28455		PISTON D.18 "44"	3,00			--
0034		VTRS46027		WASHER D. 8 C/CLL.	3,00			--
0035		VTDD04284		NUT M8X1,25 X13X5 S2 INX	3,00			--
0036		GUGO28465		OIL SEAL 25X 62X10 NBR70	1,00			--
0040	S	PVVR46028		PACKING RETAIN.D. 18 "63"	3,00			--
0041	S	GUGO01263		O-RING D. 28.30 X 1.78 NBR 70SH	3,00			--
0042	S	GUVR46029		PACKING D. 18 L.P. "63"	3,00			--
0043	S	PVVR46030		INTERMED. RING D. 18 "63"	3,00			--
0044	S	GUVR46031		PACKING D. 18 H.P. "63"	3,00			--
0045		RCDS01090		CAP 3/8X13 M WW90	1,00			--
0046		RCDS01091		CAP 1/2X10 M	1,00			--
0047		VTRS01074		WASHER D.17,05X22,3 X1,5	1,00			--



Ref.	K	Part N.	Customer Part N.	Description	Qty	Validity:		Price
						From	To	
0048		VTRS01075		WASHER D.21,5X27 ALL	1,00			--
0049		PVVR46032		OIL INDICATOR S."63"	1,00			--
0050		GUGO01044		O-RING D. 26.58 X 3.53 NBR 70SH	1,00			--
0054	S	GUVR11651		ANTI-EXTR.RING D. 10.6X15X2	1,00			--
0055	S	GUGO03501		O-RING D. 9.92 X 2.62 VIT 70SH	1,00			--
0056	S	PVVR12887		VALVE SEAT CONTROL SET W1	1,00			--
0057	S	VTVT18667		SCREW M 5X0,8X7,5	1,00			--
0058	S	PVVR18668		VALVE CLT	1,00			--
0059	S	GUGO03497		O-RING D. 6.75 X 1.78 VIT 80SH	2,00			--
0060	S	GUVR28469		ANTI-EXTR.RING D.22 X25X1,5	1,00			--
0061	S	GUGO08182		O-RING D. 21.91 X 1.78 NBR 70SH	1,00			--
0062	S	PVVR28470		VALVE GUIDE "44"	1,00			--
0063	S	PVVR28471		VALVE "44"	1,00			--
0064	S	MLML28472		SPRING D. 18.5 X11 "44"	1,00			--
0065	S	PVVR28473		SPACER "44"	1,00			--
0066	S	GUVR04309		ANTI-EXTR.RING HM	1,00			--
0067	S	PVVR28474		CONTROL PISTON "44"	1,00			--
0068	S	GUGO01946		O-RING D. 9.13 X 2.62 VIT 70SH	1,00			--
0069	S	GUVR01940		ANTI-EXTR.RING D. 9.5X14X1,5	1,00			--
0070		GUGO01037		O-RING D. 23.81 X 2.62 NBR 70SH	1,00			--
0071		PVVR28475		BUSHING "44"	1,00			--
0072		PVVR28476		SPRING PLATE "44" INF.	1,00			--
0073		MLML28477		SPRING D. 7.6 X29 "44"	1,00			--
0074		MLML11655		SPRING D.15X35	1,00			--
0075		PVVR11656		SPRING PLATE W1	1,00			--
0076		PVVR18672		REGISTER COLT	1,00			--
0077		GUGO01057		O-RING D. 20.35 X 1.78 NBR 70SH	1,00			--
0078		VTVT20196		SCREW EI-ST 8X20 UNI5923	1,00			--
0080	S	MLML39786		SPRING D. 7.5 X 37.5 INX	1,00			--
0081	S	GUGO28927		O-RING D. 9.13 X 2.62 NBR 70SH	1,00			--
0082	S	PVVR39690		CONTROL PISTON T-STOP "44" OT	1,00			--
0083	S	GUGO08071		O-RING D. 4.48 X 1.78 NBR 70SH	1,00			--
0084	S	GUVR37627		ANTI-EXTR.RING D. 5.2X 8 X1.5	1,00			--
0085	S	GUGO09720		O-RING D. 14 X 1.78 NBR 70SH	1,00			--
0086	S	PVVR37626		PISTON GUIDE T-STOP PRM OT	1,00			--
0087	S	GUGO06988		O-RING D. 7.66 X 1.78 NBR 70SH	1,00			--
0088		MPVR37623		SHELL T-STOP PRM PA	1,00			--
0089		MECI37646		MICROSWITCH XGA2-88 16(6)A	1,00			--
0090		GUGO01046		O-RING D. 45.69 X 2.62 NBR 70SH	1,00			--



Ref. K	Part N.	Customer Part N.	Description	Qty	Validity:		Price
					From	To	
0091	GUGO06824		O-RING D. 6 X 3 NBR 70SH	1,00			--
0092	MEVR27423		RING NUT MTH	1,00			--
0093	LAFN37625		PLUG "U" T-STOP PRM INX	1,00			--
0094	MECB39792		CABLE N.239 2X1 SG L=950	1,00			--



Ref. Part N.	Cust. Part N.	Description	Reference	Price
KTRI28508	KIT P	15-123	0011	--
KTRI28510	KIT P	15-124	0009 0010	--
KTRI28526	KIT P	137	0054 0055 0056 0057 0058 0059 0060 0061 0062 0063 0064 0065 0066 0067 0068 0069	--
KTRI40084	KIT P	15-144 C.PIST. TST "44"	0069 0080 0081 0082 0083 0084 0085 0086 0087	--
KTRI46033	KIT P	15-159	0017	--
KTRI46034	KIT P	15-161	0042 0044	--
KTRI46035	KIT P	15-163	0040	--
KTRI46036	KIT P	15-165	0043	--
KTRI46037	KIT P	15-167	0040 0041 0042 0043 0044	--