



IPC Integrated Professional Cleaning

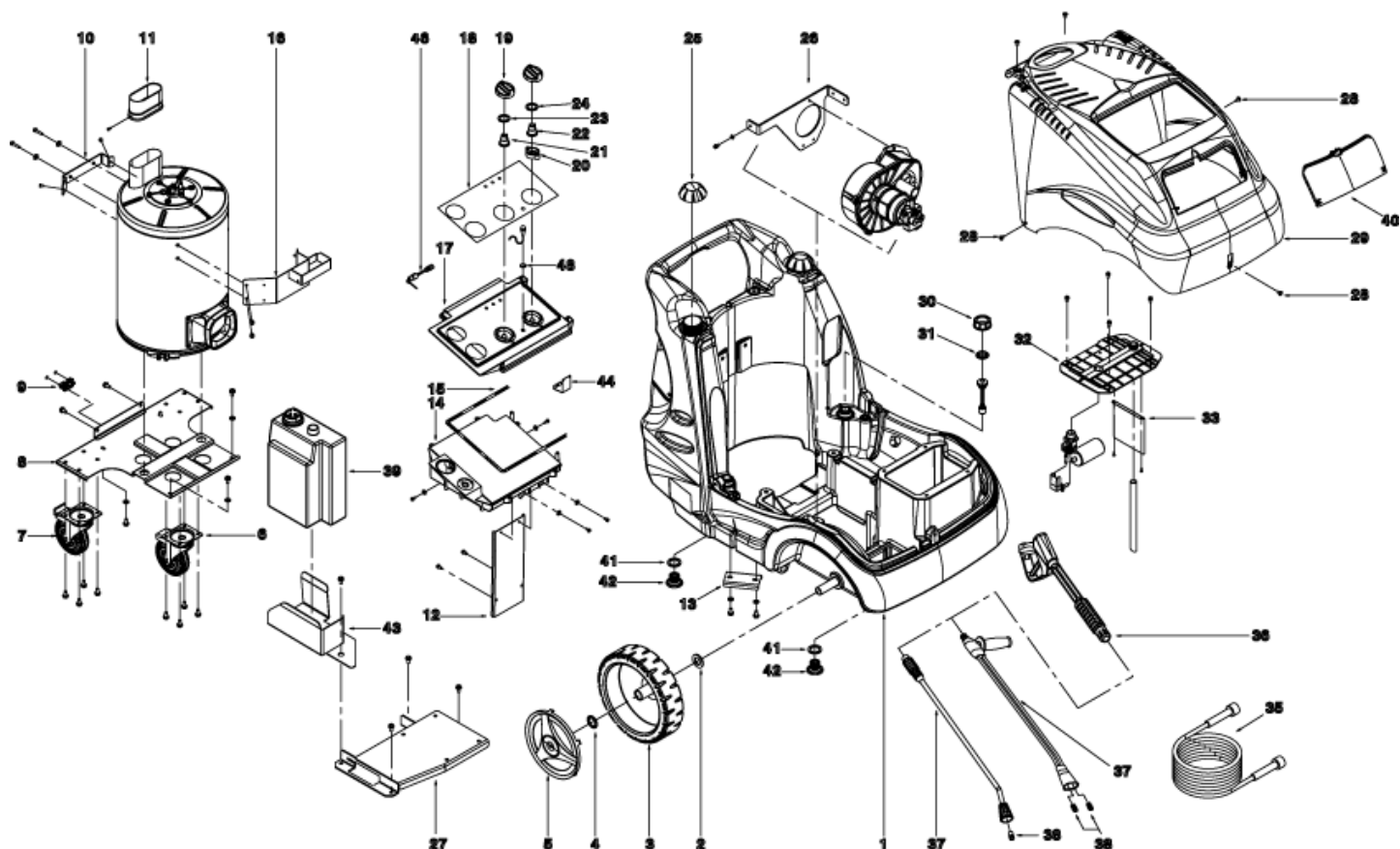
IPC Portotecnica

Spare Parts List

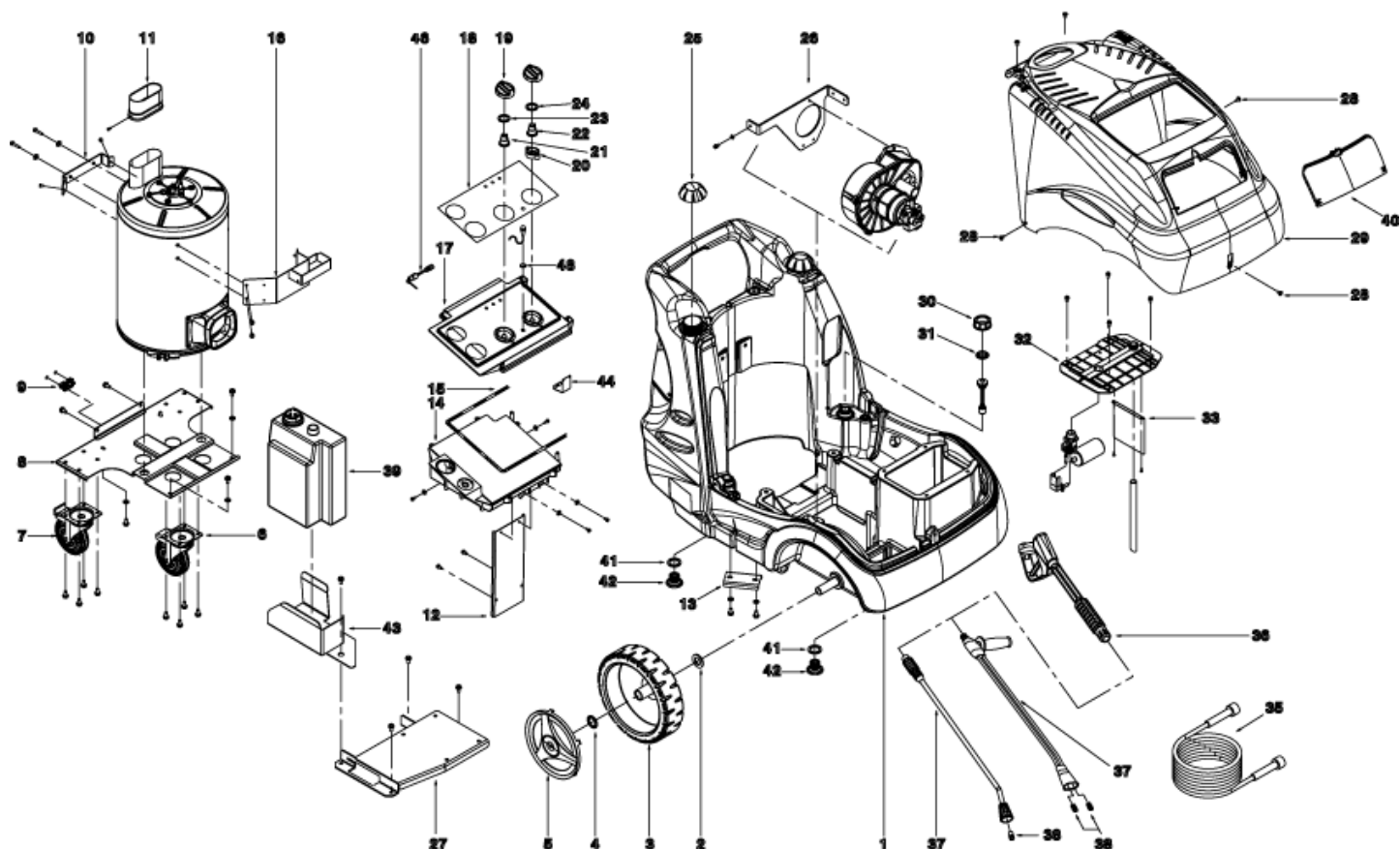
IPF ENGINEERING LTD

Ref: IDAC88596

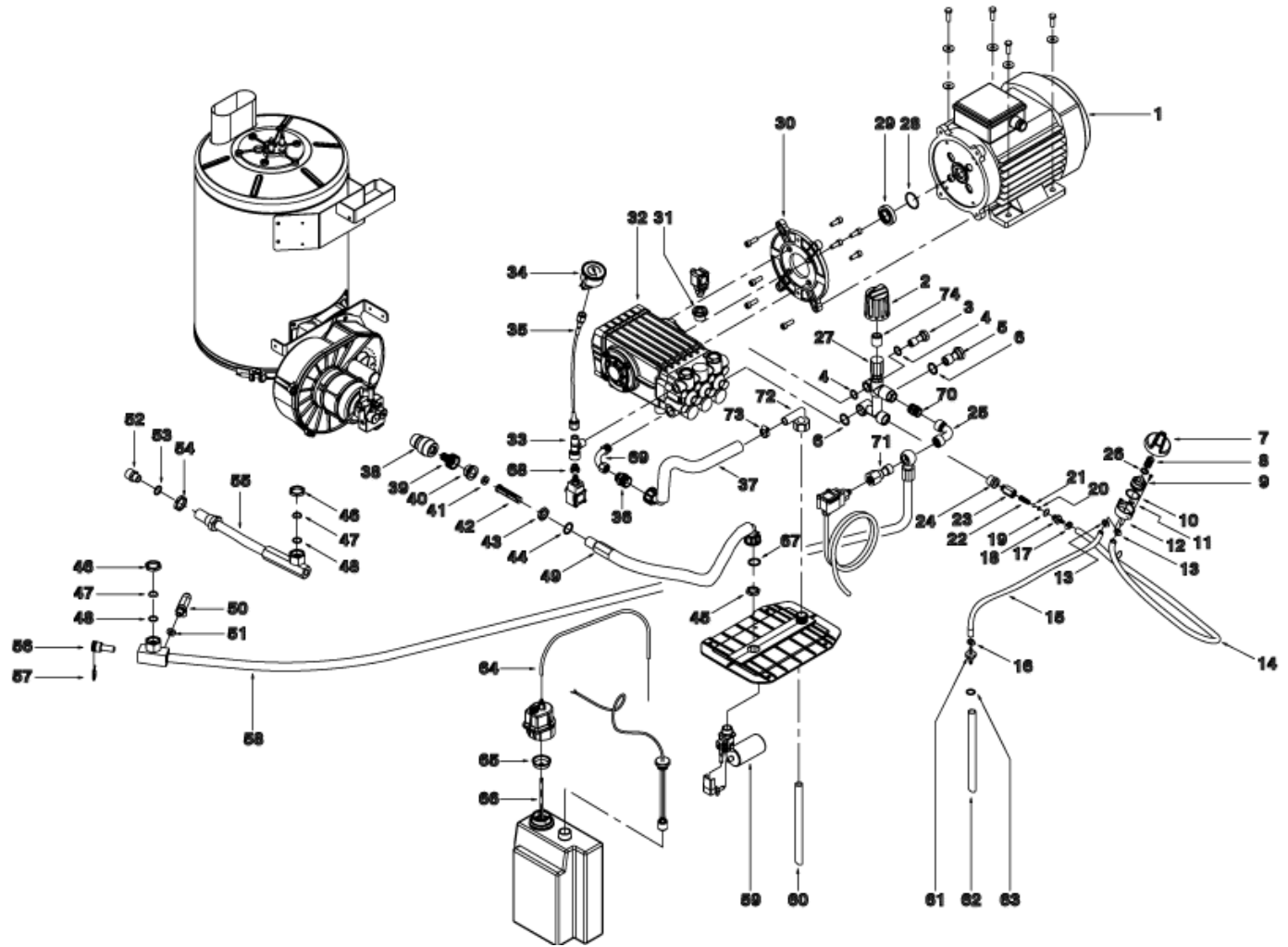
Model: IDROP SYNC PL.DS 2960 T 400/50 3-01IPF



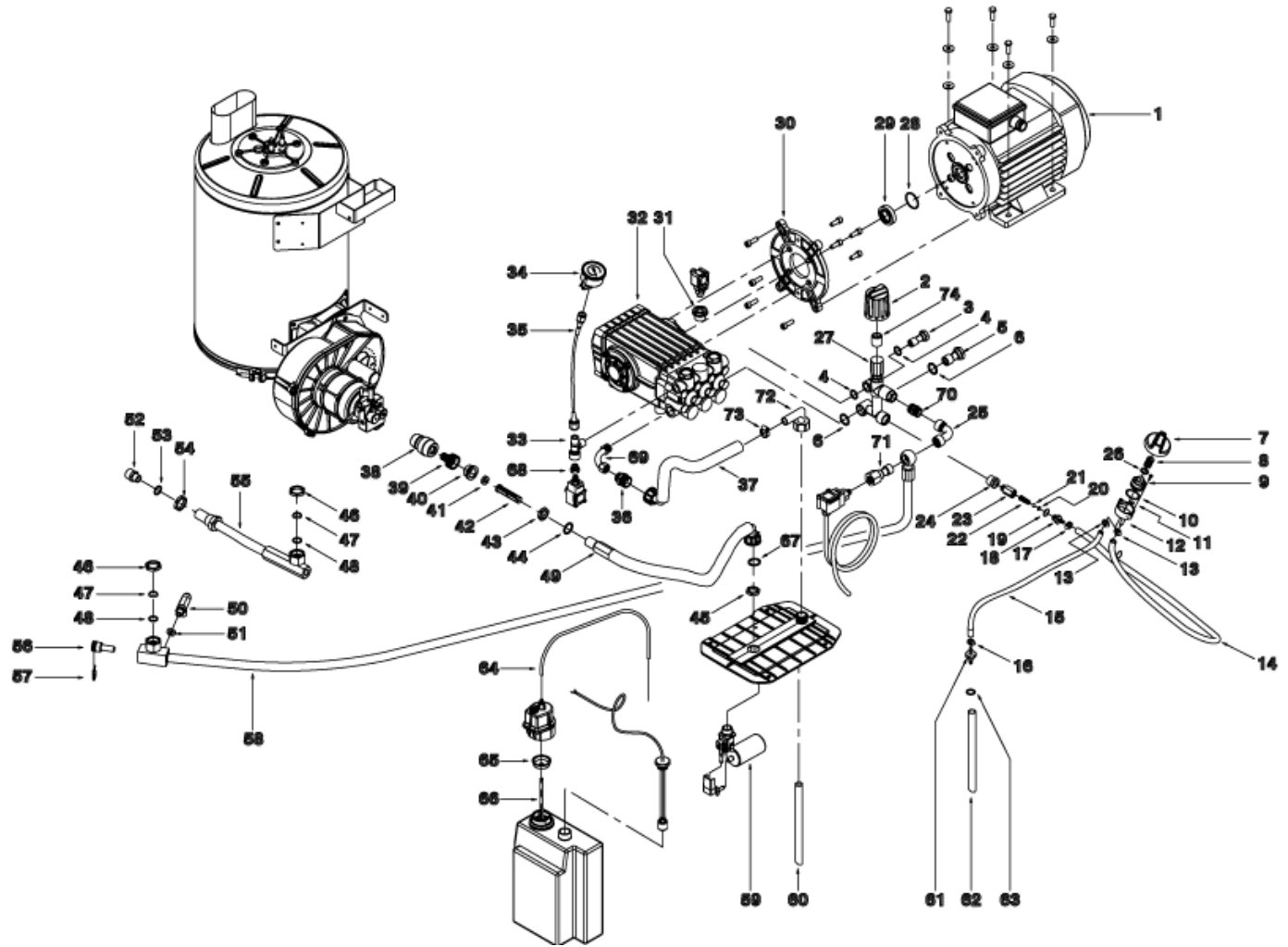
Ref.	K	Part N.	Customer Part N.	Description	Qty	Validity:		Price
						From	To	
0001		MPVR88370		CHASSIS P245 C.SB. PEHD BK.	1,00			--
0002		VTRS73055		WASHER D.44x26x4 ZC U.6592	2,00			--
0003		RTRT45383		WHEEL D.305-D.25 RT-IPC	2,00			--
0004		VTRS09813		WASHER D.25	2,00			--
0005		MPVR45384		RED WHEEL COVER. 305 RT-PRT	2,00			--
0006		RTRT07480		TURNING WHEEL D.125 P. MZ.PLS.	1,00			--
0007		RTRT13708		TURNING WHEEL D.125 P. MZ.PLS	1,00			--
0008		LAFN88413		BRACKET P245 BK.	1,00			--
0009		MEVR33994		CABLE FASTNER 4228 B D. 6- 18	1,00			--
0010		LAFN40301		BRACKET P245/PM BK.	1,00	07/2010		--
0010		LAFN88638		BRACKET P245 BK.	1,00	11/2004	07/2010	--
0011		LAFN31048		EXTENSION FUT. H.60 INX	1,00	04/2010		--
0011		LAFN43244		CHIMNEY EXTENS.KSM H.70 INX	1,00		03/2010	--
0012		LAFN88407		SUPPORT BRACKETP245 ZC	1,00			--
0013		LAFN88491		REINFORCEMENT P245	2,00			--
0014		MPVR33248		CONTROL BOX MISTRAL PP	1,00			--
0015		GUGO11309		JOINT MOUSSE D. 3	1,20			--
0016		LAFN40225		SUPPORT P245 2V. ZC.	1,00	11/2012		--
0016		LAFN88417		SUPPORT P245 ZC.	1,00		10/2012	--
0017		MPVR40023		BOX COVER MISTRAL C/F.MN.BK	1,00			--
0018		ETET40687		LABEL MST PR.II DS PLC	1,00			--
0019		MPVR45423		GREY KNOB P176-M.RACE PA6	2,00		05/2008	--
0019		MPVR89723		GREY KNOB P176-MR C/F.FS.	2,00	05/2008		--
0020		MPVR41903		THICKNESS TERM.IM.PA66	1,00			--
0021		MPVR23484		TAIL PIECE THERM.KSM TUV	1,00			--
0022		MPVR23482		TAIL PIECE TEC. TUV	1,00			--
0023		GUGO23079		V-SEAL RING VA0014 13.5- 15.5	1,00			--
0024		GUGO25527		O-RING D. 14 X 3 NBR 70SH	1,00			--
0025		MPVR45426		TANK CAP P176 PEHD	2,00			--
0026		LAFN40222		HOSE WIND.BRACKP245-50HZ ZC.	1,00	07/2009		--
0026		LAFN88404		HOSE WIND.BRACKP245 ZC.	1,00	10/2008	06/2009	--
0027		LAFN40223		MOTOR SUPPORT P245 H.112 2V. ZC.	1,00	07/2009		--
0027		LAFN88402		MOTOR SUPPORT P245 H.112	1,00		09/2005	--
0027		LAFN89126		MOTOR SUPPORT P245 H.112 ZC.	1,00	09/2005	06/2009	--
0028		VTVT47746		SCREW T-1/2 TD.CR. M 6X 12 INX	5,00		11/2004	--
0029		MPVR88420		RED COVER P245 ABS	1,00		01/2006	--
0029		MPVR89199		RED COVER P245 PPL	1,00	02/2006		--
0030		RCDS40048		CAP M42X 2 F PVC	1,00	01/2009		--
0030		RCVR88384		CONNECTION G. 3/4 P.PG. D.15 PPL	1,00		12/2008	--



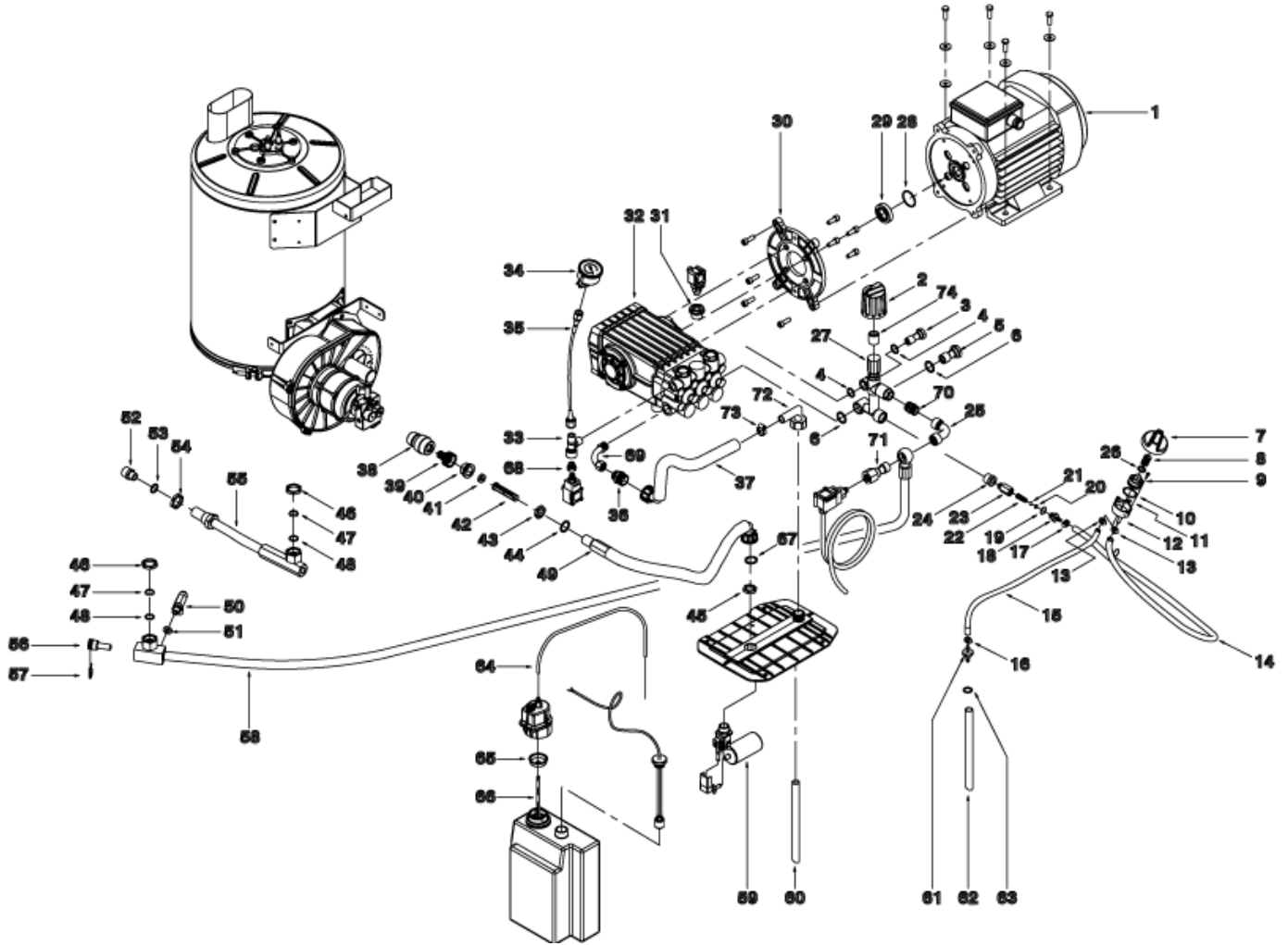
Ref.	K	Part N.	Customer Part N.	Description	Qty	Validity:		Price
						From	To	
0031		MPVR88374		RING ROLLER	1,00		12/2008	--
0032		MPVR88418		TANK COVER P245 PA6 BL.	1,00			--
0033		LAFN88405		PANEL P245 INX	1,00			--
0034		MPVR88419		ADAPTER H120 /H110	1,00	05/2010		--
0035		TBAP09985		H.P. HOSE R1 MT 15 5/16" 3/8 M-M	1,00	03/2005	03/2007	--
0035		TBAP25324		H.P. HOSE R1 MT 10 5/16" C/2 IRV ZC	1,00		03/2005	--
0035		TBAP89958		H.P. HOSE R1 MT 15 5/16" C/2 IRV IX	1,00	03/2007		--
0036		IPPR45298		GRIP G 4500 - P 330 - M22 M V	1,00		03/2007	--
0036		IPPR89429		GRIP G 4500 - P.330 -M22SW.M V	1,00	03/2007		--
0037		LCPR12976		EXTENSION P 70	1,00		03/2005	--
0037		LCPR12983		DOUBLE EXTENS. PD 70	1,00	04/2006		--
0038		UGLN02289		NOZZLE 1/4 15045	2,00	11/2005	04/2006	--
0038		UGLN03327		NOZZLE 1/4 25045	1,00		03/2005	--
0038		UGLN03327		NOZZLE 1/4 25045	2,00	03/2005	11/2005	--
0038		UGLN49987		NOZZLE LECH 1/4 15045	2,00	04/2006		--
0039		MPVR20903		TANK KSM	1,00			--
0040		MPVR89194		RED THROTTLE P245 PPL	1,00	02/2006		--
0041		GUGO74674		O-RING D. 34.52 X 3.53 NBR 70SH	3,00			--
0042		RCDS88468		CAP 3/4 M E.I. CH.6 H.24 P245	3,00			--
0043		LAFN40126		SUPPORT BRACKETP245/40M ZC.	1,00	01/2009		--
0043		LAFN89125		MOTOR PLATE P245 H.112 ZC.	1,00	09/2005		--
0046		MEVR27264		FUSE-HOLDER 031-1081	3,00			--
9999		KTRI88654		KIT P 35- 32 P245 BK.	1,00			--



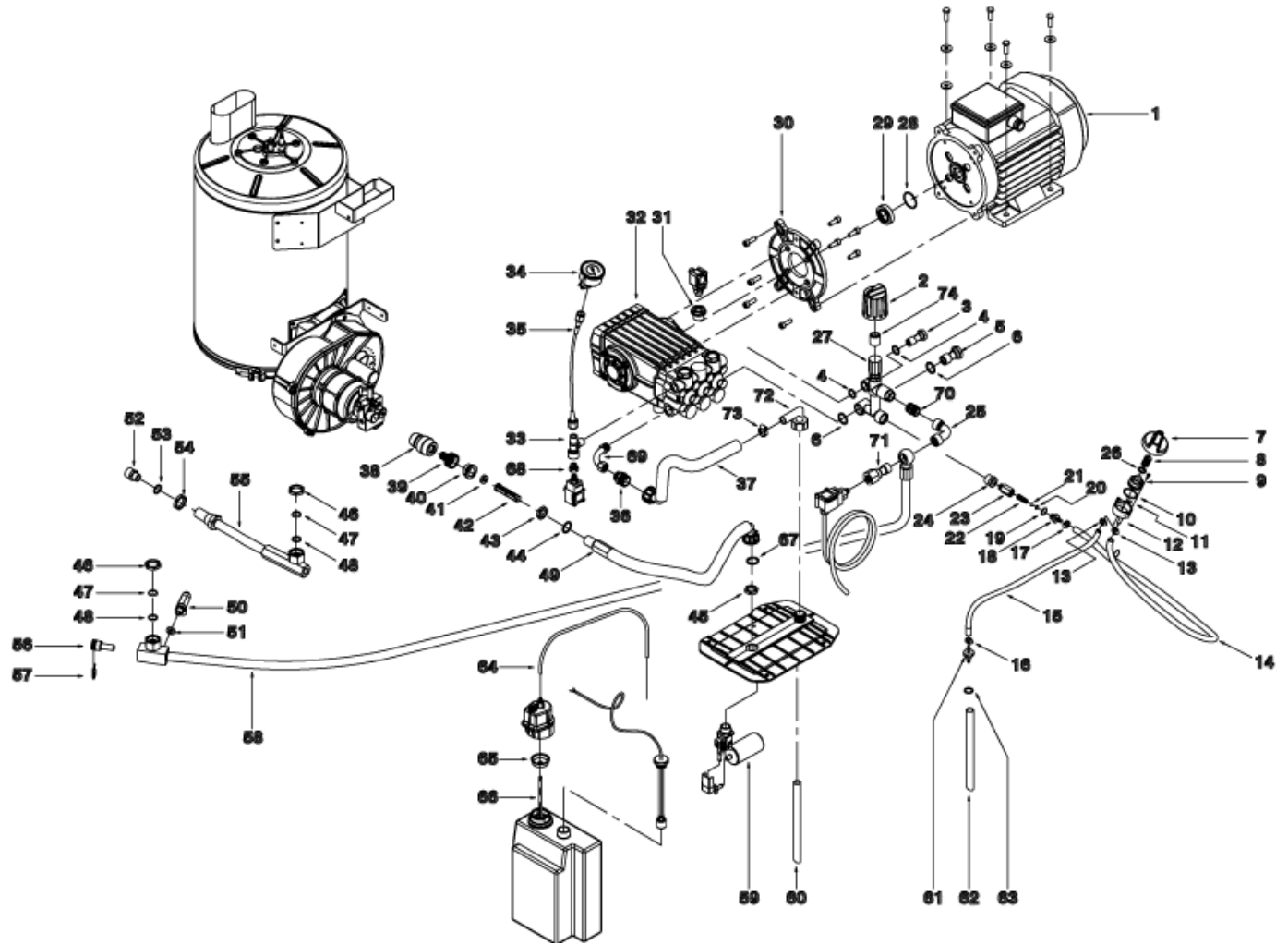
Ref.	K	Part N.	Customer Part N.	Description	Qty	Validity:		Price
						From	To	
0001		MOTR06345		3PH MOTOR AC HP 7.5 2/460-5/60 C.ED	1,00	10/2011		--
0003		RCDS40031		SCREW G 3/8 - 3/8F L=50 ZC.	1,00	04/2009	10/2011	--
0003		RCDS40090		SCREW G 3/8 - 3/8F L=50 INX	1,00	10/2011		--
0003		RCDS12495		SCREW G 3/8 L=48.5	1,00	07/2005	10/2011	--
0003		RCDS40096		SCREW G 3/8 L=48.5 INX	1,00	10/2011		--
0003		RCDS40551		SCREW G 3/8 - 1/8F L=48.5	1,00		07/2005	--
0004		VTRS12492		WASHER 3/8	2,00	10/2011		--
0005		RCDS12486		SCREW G 1/2 L=48.5	1,00		10/2011	--
0005		RCDS40064		SCREW G 1/2 L=48.5 INX	1,00	10/2011		--
0006		VTRS12491		WASHER 1/2	2,00	10/2011		--
0007		MPVR45423		GREY KNOB P176-M.RACE PA6	1,00		05/2008	--
0007		MPVR89723		GREY KNOB P176-MR C/F.FS.	1,00	05/2008		--
0008		MLML08068		SPRING D.1,5 L.23	1,00			--
0009		RCGR08070		ADJUSTER PRT	1,00			--
0010		GUGO12183		O-RING D. 23.4 X 3.53 VIT 70SH	1,00			--
0011		GUGO08071		O-RING D. 4.48 X 1.78 NBR 70SH	1,00			--
0012		RCGR08069		TAP BODY DET. PRT	1,00			--
0013		FSVR00427		CLAMP D. 12 CLIC 66-110	2,00			--
0014		TBBP00051		DETERGENT HOSE D. 6-12	0,60			--
0015		TBBP00051		DETERGENT HOSE D. 6-12	0,70			--
0016		FSVR11197		CLAMP D.I. 11 13315	1,00			--
0017		FSVR00427		CLAMP D. 12 CLIC 66-110	1,00			--
0018		RCDS10546		VALVE SEAT 1/4M + PG. D.3-7.5 OTT	1,00	10/2011		--
0019		GUGO01036		O-RING D. 10.82 X 1.78 NBR 70SH	1,00	10/2011		--
0020		GUGO01055		O-RING D. 5.28 X 1.78 VIT 70SH	1,00	10/2011		--
0021		SFVR04274		BALL D. 7/32	1,00	10/2011		--
0022		MLML21505		SPRING D. 8 X5 X0.3	1,00	10/2011		--
0023		RCDS46072		VALVE BODY N/R 1/4F-1/4 P176 OT	1,00	10/2011		--
0024		RCVR02606		REDUCTION 1/2-1/4 M/F	1,00	10/2011		--
0025		RCVR41987		ELBOW 3/8" F.A.P. OT.MTM	1,00	10/2011		--
0025		RCVR88378		CONNECTOR A T 3/8M 1/4F 3/8M-OT	1,00		03/2009	--
0026		VTRS00542		WASHER D.14X20	1,00			--
0027		VVAZ40033		VALVE VRF-2 IP-W AC S/IN.	1,00	12/2012	04/2013	--
0027		VVAZ40040		VALVE VRF-2 IP-W AC S/IN. REG.	1,00	05/2013		--
0027		VVAZ46720		VALVE MV 625 W151 AC S/IN. REG.	1,00	10/2011	11/2012	--
0028		GUGO42285		O-RING D. 35 X 2.5 VIT.70SH	1,00	10/2011		--
0029		RCDS34756		BUSHING IP W15 OT	1,00	10/2011		--
0030		MFVR21735		COUNTERFLANGE MEC 112 2.V	1,00	10/2011		--
0031		RCDS09059		CAP M24X2X16 + 1/4F OTT	1,00	10/2011		--



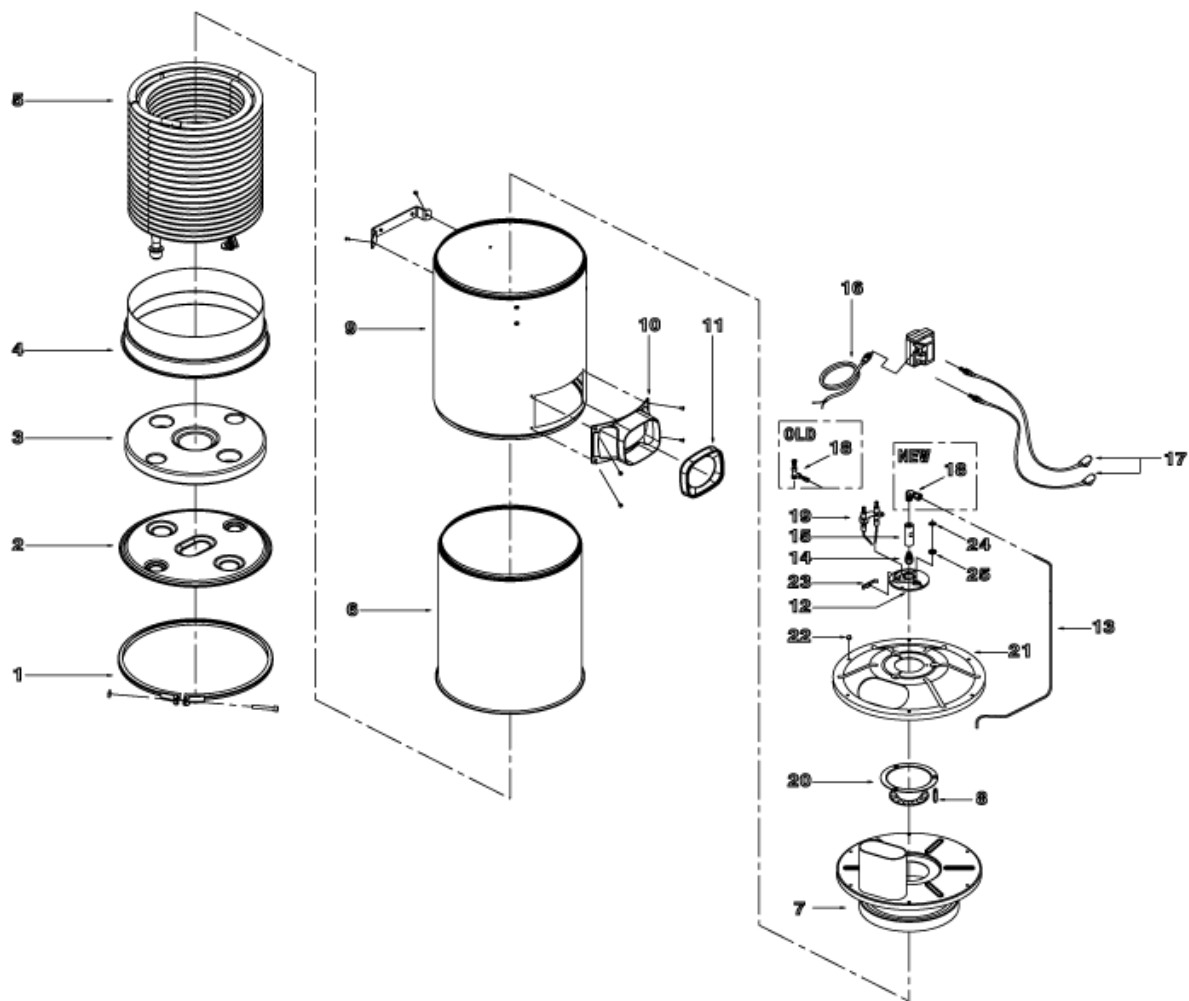
Ref.	K	Part N.	Customer Part N.	Description	Qty	Validity:		Price
						From	To	
0032		PPAP42031		PUMP WS151 DX LT 15 -150B. USA	1,00	10/2011		--
0033		RCDS40177		CONNECTOR T 3/8M - 1/4 M/F OT. CN.	1,00	03/2014		--
0033		RCDS40589		CONNECTOR T 3/8M - 1/4 M/F OT.	1,00	10/2011	02/2014	--
0033		RCVR62671		ELBOW 3/8"-1/4" M A.P. OT.MTM	1,00		07/2005	--
0034		MNMN49621		PRESSURE GAUGE 0-250 D.50 INOX	1,00			--
0035		TBAP04437		POLYAMIDE HOSE L=420 1/4-1/4 F-F	1,00		02/2007	--
0035		TBAP40006		POLYAMIDE HOSE L=420 1/4 F-F	1,00	03/2007		--
0036		RCDS46146		NIPPLE 3/4 - 1/2 CB D. 7.5	1,00		11/2004	--
0036		RCDS88747		NIPPLE 3/4 - 1/2 CB D. 9.0	1,00	10/2011		--
0037		TBBP88382		L.P. HOSE L=650 3/4F90° -3/4F90°	1,00			--
0038		RCVR29602		CONNECTOR D. 1/2"-5/8" PTC	1,00	06/2011		--
0039		RCVR29600		SOCKET PTC 3/4 F	1,00	06/2011		--
0040		RCVR37806		REDUCTION PTC 3/4-1/2 M/F	1,00	06/2011		--
0041		GUGO37736		GASKET D. 10- 19 X 5 70SH	1,00	06/2011		--
0042		FTAC30214		FILTER D.15X67	1,00	06/2011		--
0043		RCDS49875		RING NUT 1/2"X 6 CH.27 OT.	1,00			--
0044		VTRS00549		WASHER D.21,5X27X1,5 (1/2) RM	1,00			--
0045		RCVR49974		RING NUT 3/4" X 4 NIK	1,00			--
0047		GUVR21021		ANTI-EXTR.RING D. 21 X17 TEF.	2,00			--
0048		GUGO21222		O-RING D. 15.54 X 2.62 VIT 80SH	2,00			--
0049		TBBP88381		L.P. HOSE L=1150 3/4F90°-1/2M JM	1,00			--
0050		VVSC39719		VALVE MG 2000 G1/4M 150B MIGNON	1,00		11/2004	--
0050		VVSC47427		VALVE MG 1000 G1/4M-M D.8 250B	1,00	04/2009		--
0051		VTRS40960		WASHER D.13.5X19 X4 AL.	1,00	04/2009		--
0052		RCIN09348		MALE COUPLING 3/8MA L=32	1,00			--
0053		VTRS00548		WASHER D.17,5X23X1,5 (3/8)RM	2,00	04/2009		--
0055	S	RCDS40045		CONNECTOR G 3/8F -1/4 +M14X1 C.27	1,00	03/2009		--
0055	S	RCDS40041		CONNECTOR L=216 2X3/8M CN. ZC.	1,00	03/2009		--
0055	S	RCDS40043		CONNECTOR G 3/8F -3/8F CH.30	1,00	03/2009		--
0055	S	RCDS21118		CONNECTOR KSM	1,00	03/2009		--
0055	S	RCDS21119		NUT KSM	1,00	03/2009		--
0055		TBAP88380		HOSE-FITTING 3/ 8 R2 L=255 M26+3/8F-P.	1,00		02/2009	--
0056		RCDS00593		SUMP IM 0-120 L=50	1,00	04/2009		--
0056		RCDS00593		SUMP IM 0-120 L=50	1,00		03/2009	--
0057		MLML02623		SPRING IMT	1,00			--
0058		TBAP40024		HOSE-FITTING 3/ 8 R2 L=900 3/8OC.-PM26	1,00	04/2009		--
0058		TBAP88379		HOSE-FITTING 3/ 8 R2 L=900 3/8F90-PM26	1,00		03/2009	--
0059		RCGR89343		FLOATER MTM 3/4 PP. S/F. +ADP.245	1,00			--
0060		TBBP88372		L.P. HOSE D. 16- 20 L= 260 P245	1,00			--



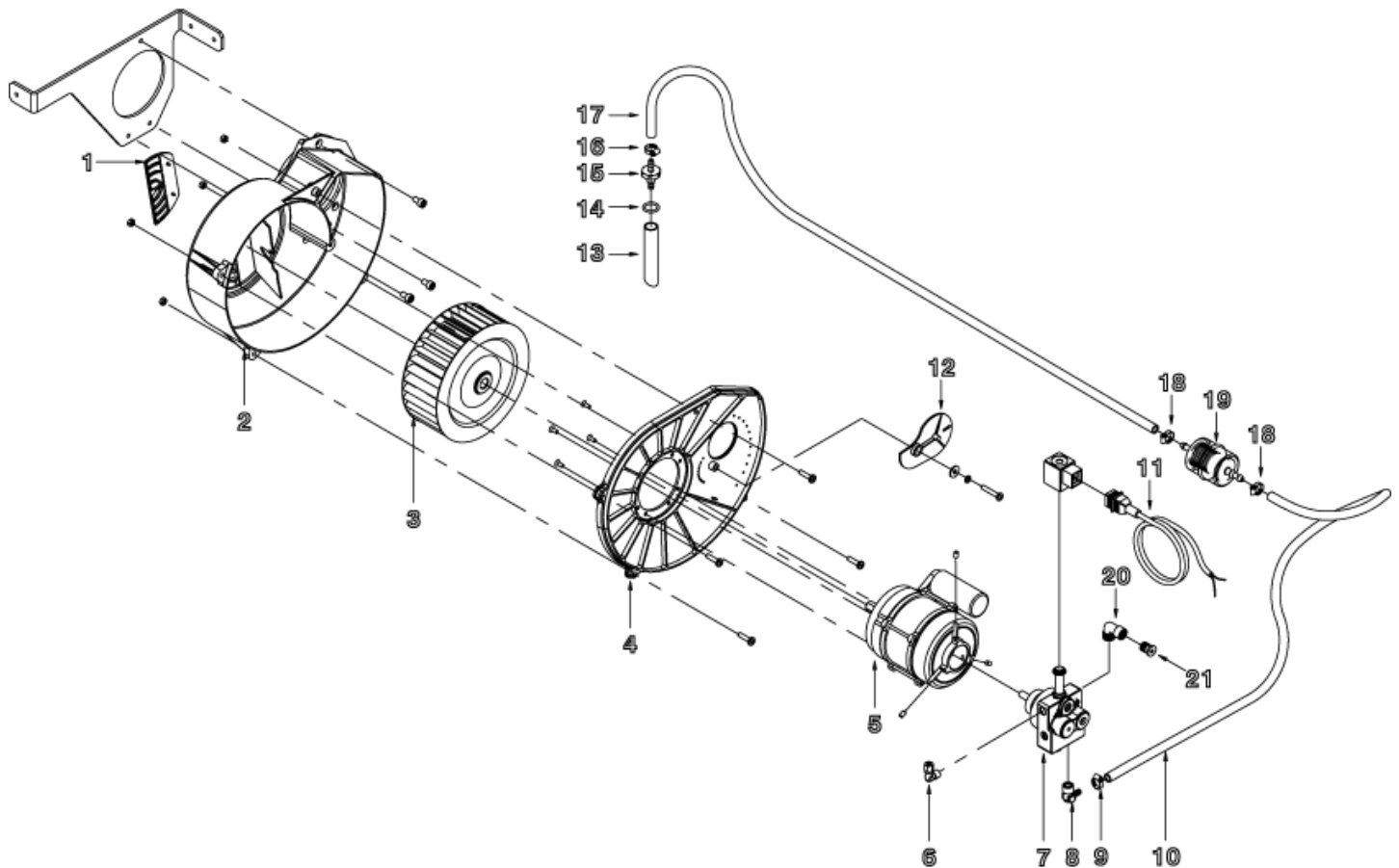
Ref.	K	Part N.	Customer Part N.	Description	Qty	Validity:		Price
						From	To	
0061		RCDS88373		HOSE FITTING 1/8 M D. 3- 7	1,00			--
0062		TBBP15347		L.P. HOSE D. 6- 8 RILSAN NT.	0,13			--
0063		GUGO01054		O-RING D. 15.08 X 2.62 NBR 70SH	1,00			--
0064		TBBP00058		L.P. HOSE D. 4- 7	1,00	02/2014		--
0064		TBBP00058		L.P. HOSE D. 4- 7	0,60		01/2009	--
0065		MPVR20904		CAP KSM	1,00		11/2013	--
0065		MPVR40588		CAP KSM +F.	1,00	12/2013		--
0066		TBBP00058		L.P. HOSE D. 4- 7	0,23			--
0067		GUGO89255		GASKET D. 17.5-24 X 2 EPDM	1,00	06/2005		--
0068		RCVR00644		REDUCTION 1/4-1/8 M/F	1,00	10/2011		--
0070		RCDS40047		NIPPLE 3/8 - 3/8 CN P245	1,00	10/2011		--
0074		PVVR40273		ADAPTER VRF-2 RG.	1,00	12/2012	04/2013	--



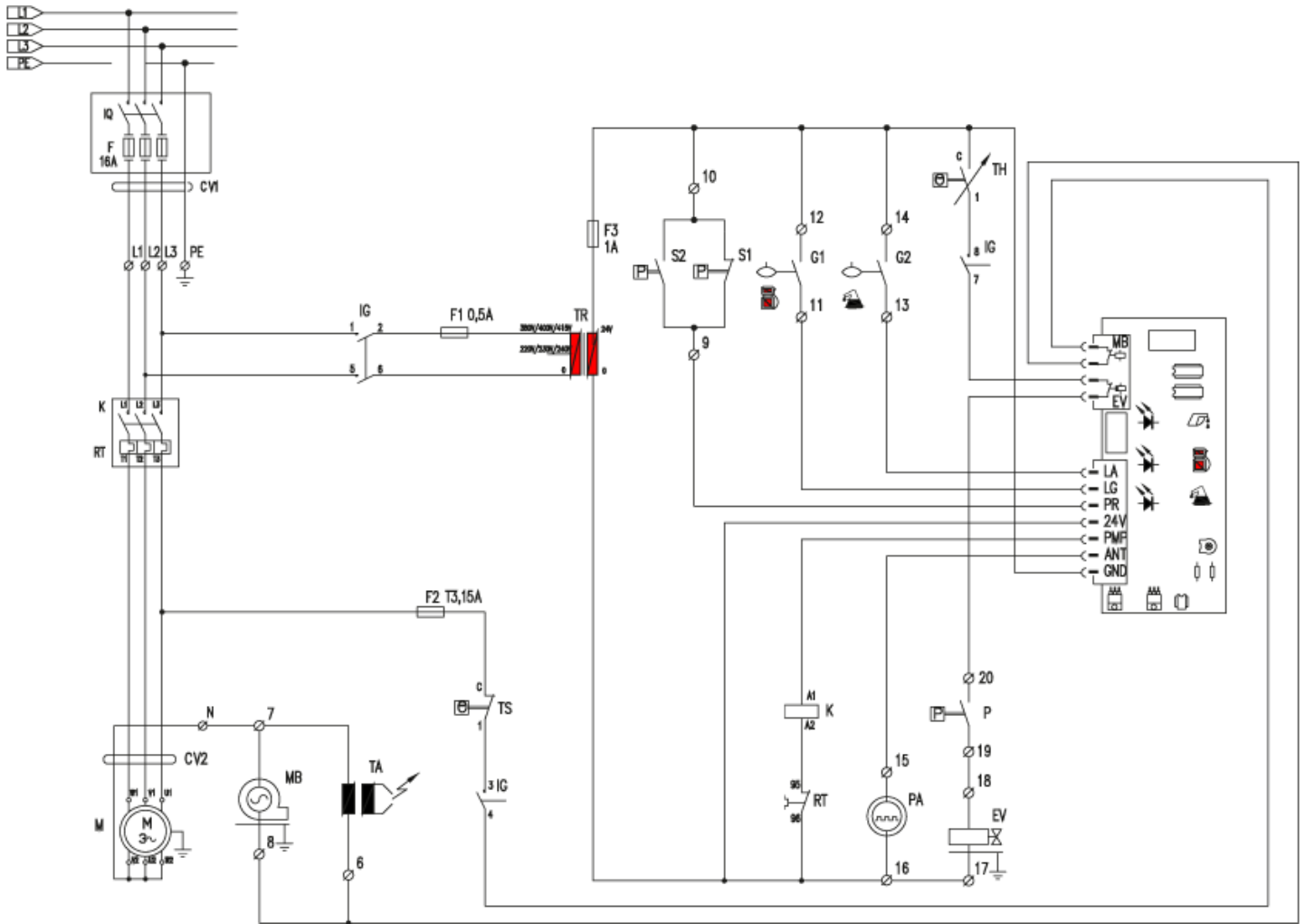
Ref. Part N.	Cust. Part N.	Description	Reference	Price
0055	KTRI40069	KIT PX 1- 42 HOSE 3/8 P245	0055 0055 0055 0055 0055	--



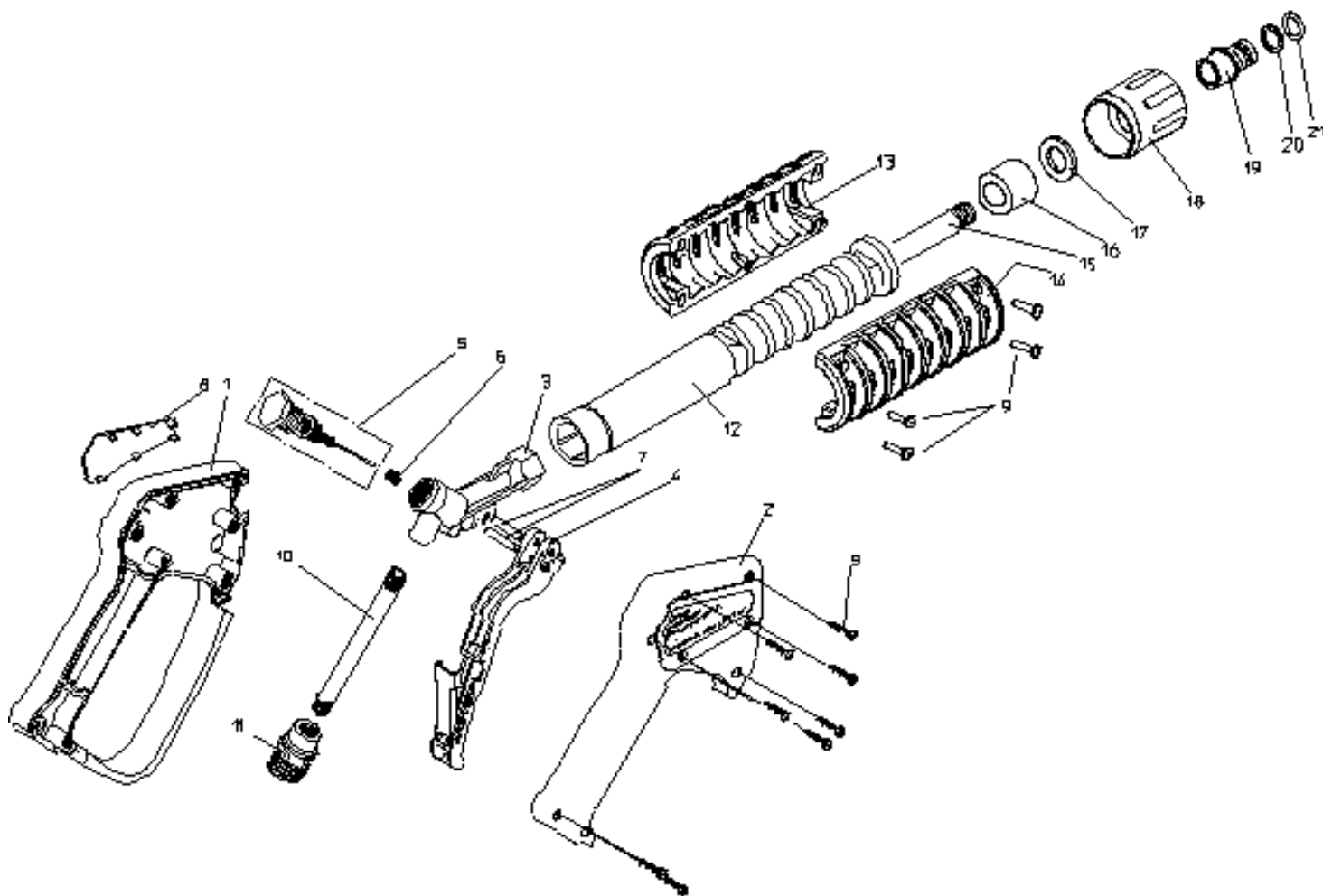
Ref.	K	Part N.	Customer Part N.	Description	Qty	Validity:		Price
						From	To	
0001		LAFN44150		RING D.345 P176 ZN	1,00		06/2007	--
0001		LAFN40037		RING D.342 P176 ZN 2V.CPL.	1,00	04/2010		--
0002		LAFN44149		BOILER BOTTOM P176	1,00	04/2010		--
0003		ITTE44175		BOTTOM P176 C.TE	1,00	04/2010		--
0004		LAFN44151		BAND P176 INX	1,00	04/2010		--
0005		LAGR48101		DOUBLE COIL M26X1.5 P176 30MT. SP.2.6	1,00	04/2010		--
0006		LASL40101		INT. CYLINDER PM INX	1,00	04/2010		--
0007		LAFN44146		BOILER COVER SIP176 INX	1,00		03/2010	--
0007		LAFN40269		BOILER COVER SIPM INX	1,00	04/2010		--
0008		LAFN44159		PIN CH.10 X 75.7 M5M/M5M P176	3,00	05/2007	03/2010	--
0008		LAFN40271		PIN CH.10 X 67.7 M5M/M5M PM	3,00	04/2010		--
0009		LAFN40226		EXT. CYLINDER PM-245 INX	1,00	04/2010		--
0010		MPVR88426		CONVEYOR P190 PA6 BK.	1,00	04/2010		--
0011		GUGO88425		GASKET P245 EPDM	1,00			--
0012		MFVR18226		ELECTR.HOLDER FUT 3°V	1,00	04/2010		--
0012		MFVR44251		ELECTR.HOLDER P176	1,00		03/2010	--
0013		TBCO88427		DIESEL HOSE P245 30MT D. 4	1,00		01/2009	--
0014		UGBR22576		BURNER NOZZLE 1.35 60 S	1,00	04/2010		--
0015		RCDS07642		NOZZLE HOLDER FUT	1,00	04/2010		--
0016		MECB34463		CABLE BT L=800 SP.	1,00			--
0017		MECV35334		CABLE A.T. 9.8-23KOHM/M L= 400P	2,00			--
0018		RCVR08954		ELBOW 1/8"-4 B5	1,00	04/2010	06/2013	--
0018		RCVR14014		BI-CONE CONNEC.DTT 1/8"M B1 D. 2/ 4 NIK	1,00	07/2013	10/2013	--
0018		RCVR72867		CONNECTOR A "T" 1/8" FFM	1,00	07/2013	10/2013	--
0018		RCVR89230		CAP G 1/8 M C/O-RING.	1,00	03/2015		--
0019		MECA12525		ELECTRODE FUT	1,00	04/2010		--
0020		LAFN08042		BAFFLE FUT	1,00	04/2010	05/2010	--
0020		LAFN44244		BAFFLE P176 30M INX	1,00	06/2010		--
0021		LAFN44148		BOILER COVER SEP176 INX	1,00		03/2010	--
0021		LAFN40270		BOILER COVER SEPM INX	1,00	04/2010		--
0022		VTDD05907		NUT M 6 CIE.	3,00	04/2010		--
0023		LAFN07641		PLATE INX	1,00	04/2010		--
0024		VTAE22633		SEEGER 0.4 X18.30X10,5	1,00	04/2010		--
0025		MPVR18228		OIL WARN-LIGHT D.17 X3	1,00	04/2010		--



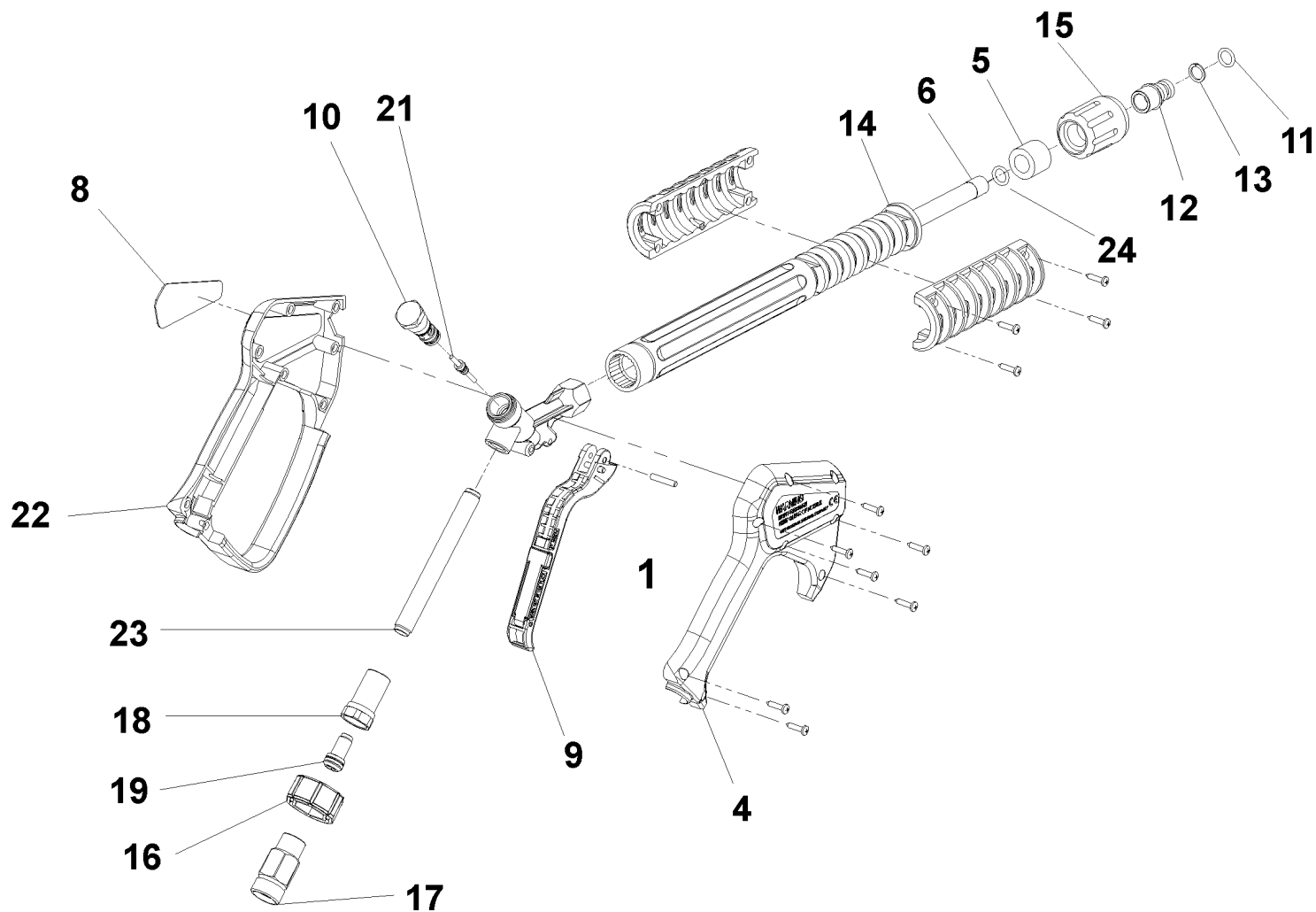
Ref.	K	Part N.	Customer Part N.	Description	Qty	Validity:		Price
						From	To	
0001		MPVR72988		PROTECTION NYL	1,00	10/2008		--
0002		MPVR88475		SCROLL P245 PA6 BK.	1,00	10/2008		--
0003		VEVR40608		IMPELLER D.160-60 SK	1,00	10/2008		--
0003		LAFN40583		SPACER D. 13.5-20 L= 6 ALL	1,00	05/2013		--
0004		MPVR40609		VENTILATOR COV.SK-MB	1,00	10/2008		--
0005		MOMB40611		BURNER MOTOR 230-50 IP44 150W SIM.	1,00		02/2005	--
0005		MOMB88811		BURNER MOTOR 230-50 IP44 150W CNN.	1,00	10/2008		--
0006		RCVR08954		ELBOW 1/8"-4 B5	1,00	10/2008		--
0007		FTCO88927		FUEL FILTER S.AL	1,00			--
0007		PPGS40002		FUEL PUMP DNF BFA 01R3R1	1,00	10/2008		--
0007		PPGS48503		FUEL PUMP DLT ALLUM. A1R1	1,00		09/2008	--
0008		RCDS40582		HOSE FITTING "L" 1/4M - D. 6	1,00	10/2008		--
0009		FSVR00427		CLAMP D. 12 CLIC 66-110	1,00			--
0010		TBCO06945		L.P. HOSE D. 6-12 10BAR C.PRESS	0,90			--
0011		MECB18118		CABLE DLT L=1.600	1,00			--
0012		MPVR40610		AIR GATE	1,00	10/2008		--
0013		TBBP15347		L.P. HOSE D. 6- 8 RILSAN NT.	0,13			--
0014		GUGO01054		O-RING D. 15.08 X 2.62 NBR 70SH	1,00			--
0015		RCDS88373		HOSE FITTING 1/8 M D. 3- 7	1,00			--
0016		FSVR11197		CLAMP D.I. 11 13315	1,00			--
0017		TBCO06945		L.P. HOSE D. 6-12 10BAR C.PRESS	0,20			--
0018		FSVR11197		CLAMP D.I. 11 13315	2,00			--
0019		FTCO34840		FUEL FILTER FB 7/A NYL.	1,00		04/2010	--
0019		FTCO40003		FUEL FILTER FB 7/TA 60mc NYL.	1,00	04/2010		--



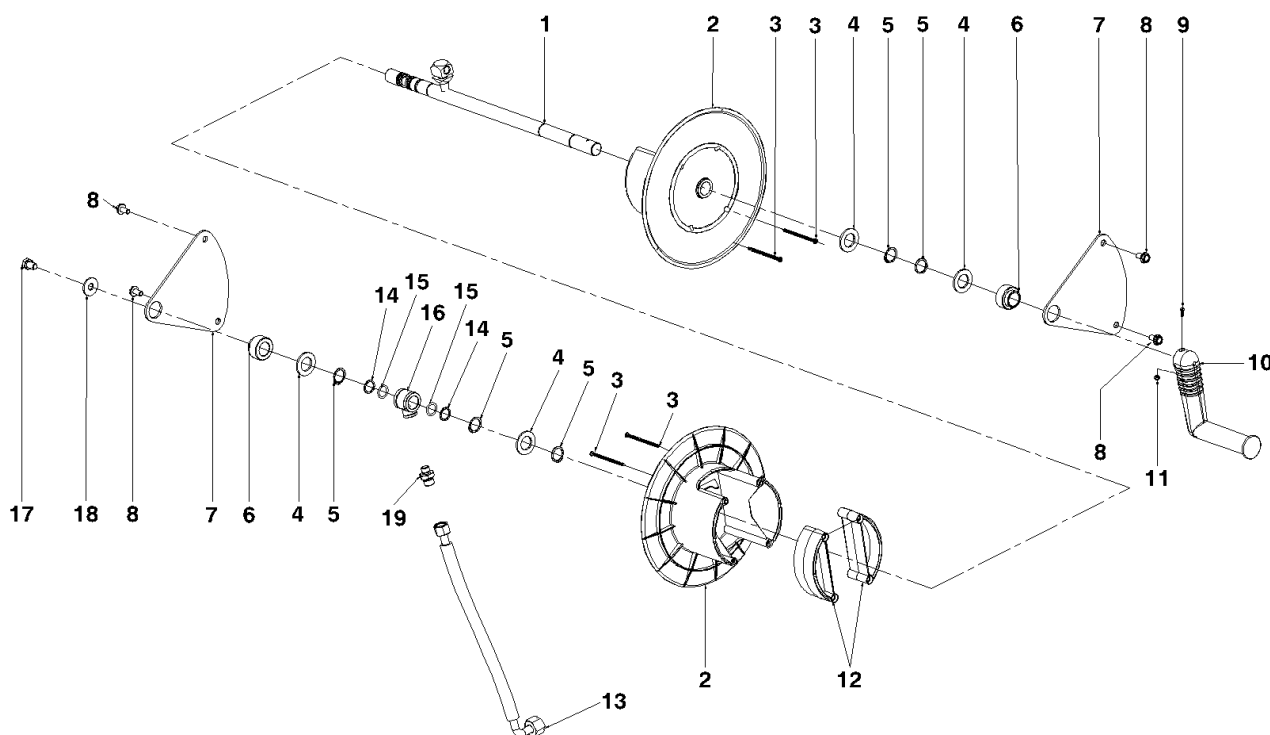
Ref.	K	Part N.	Customer Part N.	Description	Qty	Validity:		Price
						From	To	
K		METT41888		CONTACT SIE N.A. 3RH19 21-1EA11	1,00		01/2010	--
P		MEPF39902		PRESSURE SWITCHMTM 1/4M NA/NC 25B. MICRO	1,00		05/2012	--
P		MEPF40017		PRESSURE SWITCHPR 5 1/4M 25BAR L.1300	1,00	05/2013		--
P		MEPF40017		PRESSURE SWITCHPR 5 1/4M 25BAR L.1300	1,00	06/2012	02/2013	--
P		MEPF40021		PRESSURE SWITCHPR 5 1/4M 40BAR L.1300	1,00	03/2013	04/2013	--
T		METY33753		TIMER 3 S. MST 24V	1,00		07/2005	--
EC		MECE40004		PCB P245 T-ST/MP/L.2V.S30'+3"	1,00	02/2010		--
EC		MECE45448		PCB P105 T-ST/MP/LIV. STOP30'	1,00		07/2005	--
EC		MECE89083		PCB P105 T-ST/MP/LIV. S30'+3"	1,00	07/2005	01/2010	--
EV		MEBE43704		COIL DNF 24-50	1,00	10/2008		--
EV		MEBE48504		COIL DLT 24-50 NF84	1,00		09/2008	--
F1		MEVR09010		FUSE 5X20 0,5A	1,00			--
F2		MEVR00237		FUSE 5X20 3,15A	1,00			--
F3		MEVR02824		FUSE 5X20 1A	1,00			--
G1		MECI34447		SWITCH REED N.C.H115	1,00			--
G2		MECI34444		SWITCH REED N.C.H185 L=1300	1,00			--
IG		MECI40017		COMMUTAT.SWITCH0-1-2 UN.	1,00	01/2011		--
IG		MECI40544		COMMUTAT.SWITCH0-1-2 HD12H022-R000	1,00		01/2011	--
PA		MEPD25575		DESCALING PUMP NME-1 24V CPL.	1,00			--
S1		MEPF40015		PRESSURE SWITCHMTM 3/8M NA/NC 25B. MICRO	1,00	06/2012		--
S1		MEPF45229		PRESSURE SWITCHMTM 3/8M NA/NC 25B. MICRO	1,00		05/2012	--
S2		MEPF39741		PRESSURE SWITCHMTM 1/8M NA/NC 25B. MICRO	1,00		05/2012	--
S2		MEPF40016		PRESSURE SWITCHPR 5 1/8M 25BAR RD.L.1300	1,00	06/2012		--
TA		METR88630		TRANSFORMER 23/240V-5/60HZ 2X26KV TR.	1,00			--
TH		METK19354		THERMOSTAT 0-150° L=1500	1,00		12/2010	--
TH		METK40006		THERMOSTAT 0-150° L=1500 S&R	1,00	12/2010	12/2012	--
TH		METK40011		THERMOSTAT 0-150° L=1500 F&C	1,00	01/2013		--
TR		METR11977		TRANSFORMER 35VA 230-400/24 50/60HZ	1,00		02/2008	--
TR		METR40003		TRANSFORMER 35VA 230-400/24 5/60HZ PM	1,00	02/2008		--
TS		METK34839		THERMOSTAT 60°C TR/711-N.C.1.5	1,00			--
CV1		MECB17414		CABLE H07 RNF 4X2.5 L=6.500	1,00			--



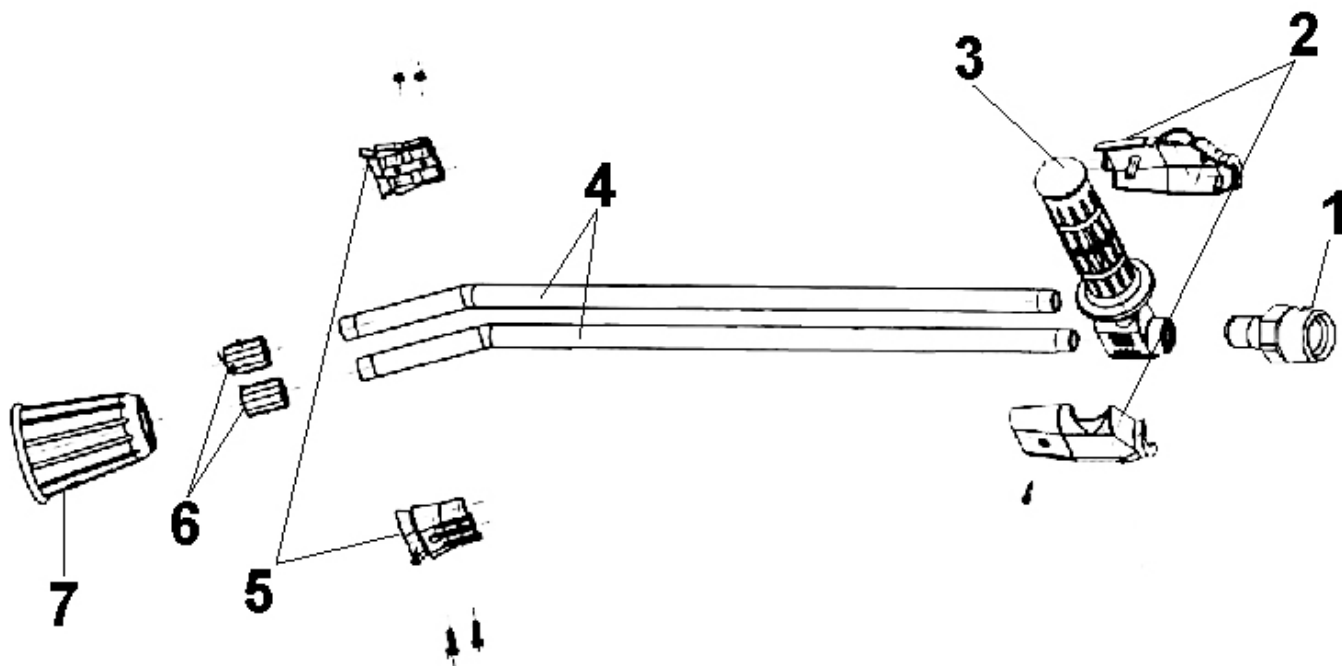
Ref.	K	Part N.	Customer Part N.	Description	Qty	Validity:		Price
						From	To	
0001		MPVR46562		SHELL G 4500	1,00			--
0002		MPVR46563		COVER G 4500	1,00			--
0003		PVVR46564		GUN BODY G 4500 G1/4 OT.	1,00			--
0004		MPVR46565		TRIGGER G 4500	1,00			--
0005		PVVR46566		SMALL PISTON G 4500 CPL.	1,00			--
0006		PVVR46567		PISTON GUIDE G 4500 CPL.	1,00			--
0007		VTVR46568		PLUG G 4500	2,00			--
0008		MPVR46569		PLATE G 4500 RD.	1,00			--
0009		VTVT28553		SCREW TCB-TC 3.5X16	11,00			--
0010		PVVR37732		TUBE G 1/4" M/M L.139	1,00			--
0011		RCIN03752		MALE COUPLING 1/4FA	1,00			--
0012		MPVR46570		PROTECTION P 330 ST	1,00			--
0013		PVVR13440		SHELL PROTECTI.ST	2,00			--
0015		LCPR46571		TUBE 1/4 L=352 ZC.	1,00			--
0016		MPVR46572		SPACER P 330 ST	1,00			--
0017		VTRS04931		WASHER COPPER D.13X19X1.5	1,00			--
0018		PVVR13445		CONNECTION M 22X1,5 L=45	1,00			--
0019		RCVR13030		GUDGEON G 1/4 F L=31.5	1,00			--
0020		GUVR10526		ANTI-EXTR.RING D.13.9X10.2 C.BZ	1,00			--
0021		GUGO10525		O-RING D. 9.3 X 2.4 NBR 70SH	1,00			--



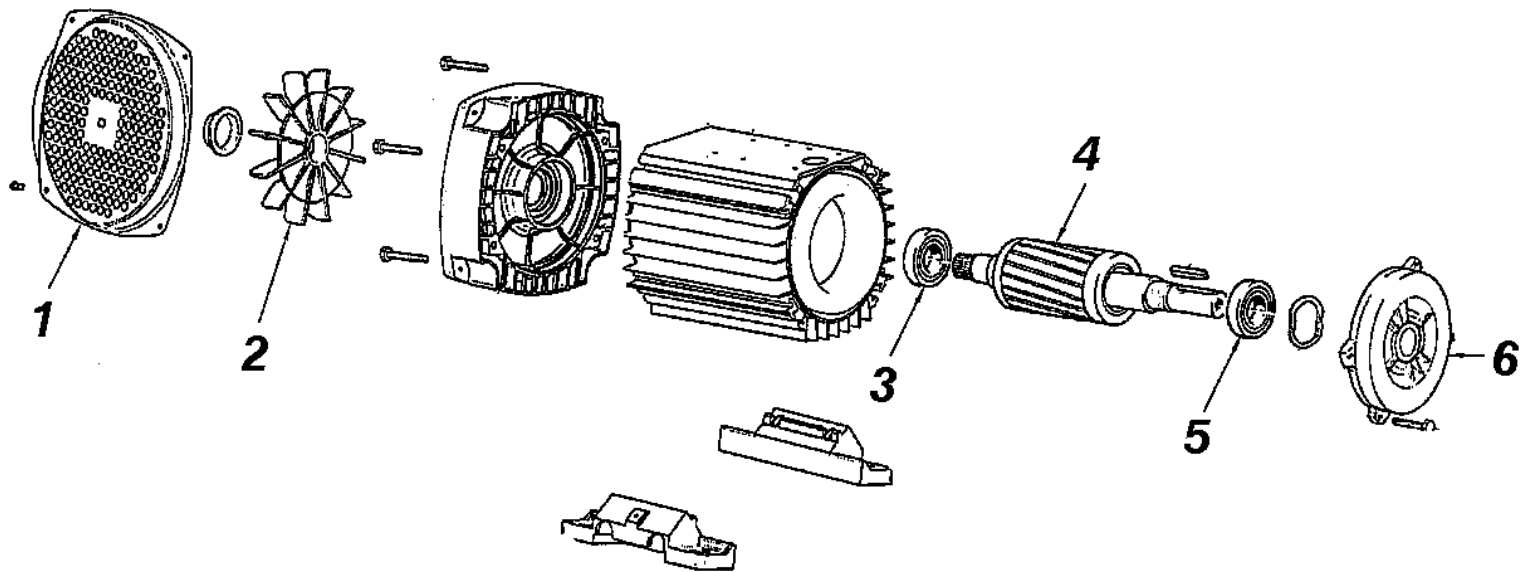
Ref. K	Part N.	Customer Part N.	Description	Qty	Validity:		Price
					From	To	
0001	VTVR46568		PLUG G 4500	1,00			--
0004	MPVR40157		COVER G 4500 2V.	1,00	05/2008		--
0004	MPVR46563		COVER G 4500	1,00		04/2008	--
0005	MPVR46572		SPACER P 330 ST	1,00			--
0006	LCPR40007		TUBE 1/4 L=352 ZC. 2V.	1,00	05/2008		--
0006	LCPR46571		TUBE 1/4 L=352 ZC.	1,00		04/2008	--
0008	MPVR46569		PLATE G 4500 RD.	1,00			--
0009	MPVR40057		TRIGGER G 4500 -SW	1,00			--
0010	PVVR40030		SMALL PISTON TM ST-2300	1,00			--
0011	GUGO10384		O-RING D. 10 X 2.2 VIT 80SH	1,00			--
0012	RCVR13030		GUDGEON G 1/4 F L=31.5	1,00			--
0013	GUVR10526		ANTI-EXTR.RING D.13.9X10.2 C.BZ	1,00			--
0014	MPVR46570		PROTECTION P 330 ST	1,00			--
0015	PVVR13445		CONNECTION M 22X1.5 L=45	1,00			--
0016	MPVR40058		RING NUT G4500 SW.	1,00			--
0017	RCIN40001		JOINT SWIV 4500 3/8"F	1,00		04/2008	--
0017	RCIN40005		JOINT SWIV 4500 3/8"F 2V.	1,00	05/2008		--
0018	RCIN31641		CONNECTOR SWIV 1500 F	1,00			--
0019	KTRI31645		KIT P 26- 14	1,00			--
0021	PVVR40031		ROD ST-2300	1,00			--
0022	MPVR40156		SHELL G 4500 2V.	1,00	05/2008		--
0022	MPVR46562		SHELL G 4500	1,00		04/2008	--
0023	PVVR40023		TUBE G 1/4" M/M P/SW.	1,00			--
0024	GUGO27021		O-RING D. 11 X 2.5 EPD 70SH	1,00	05/2008		--



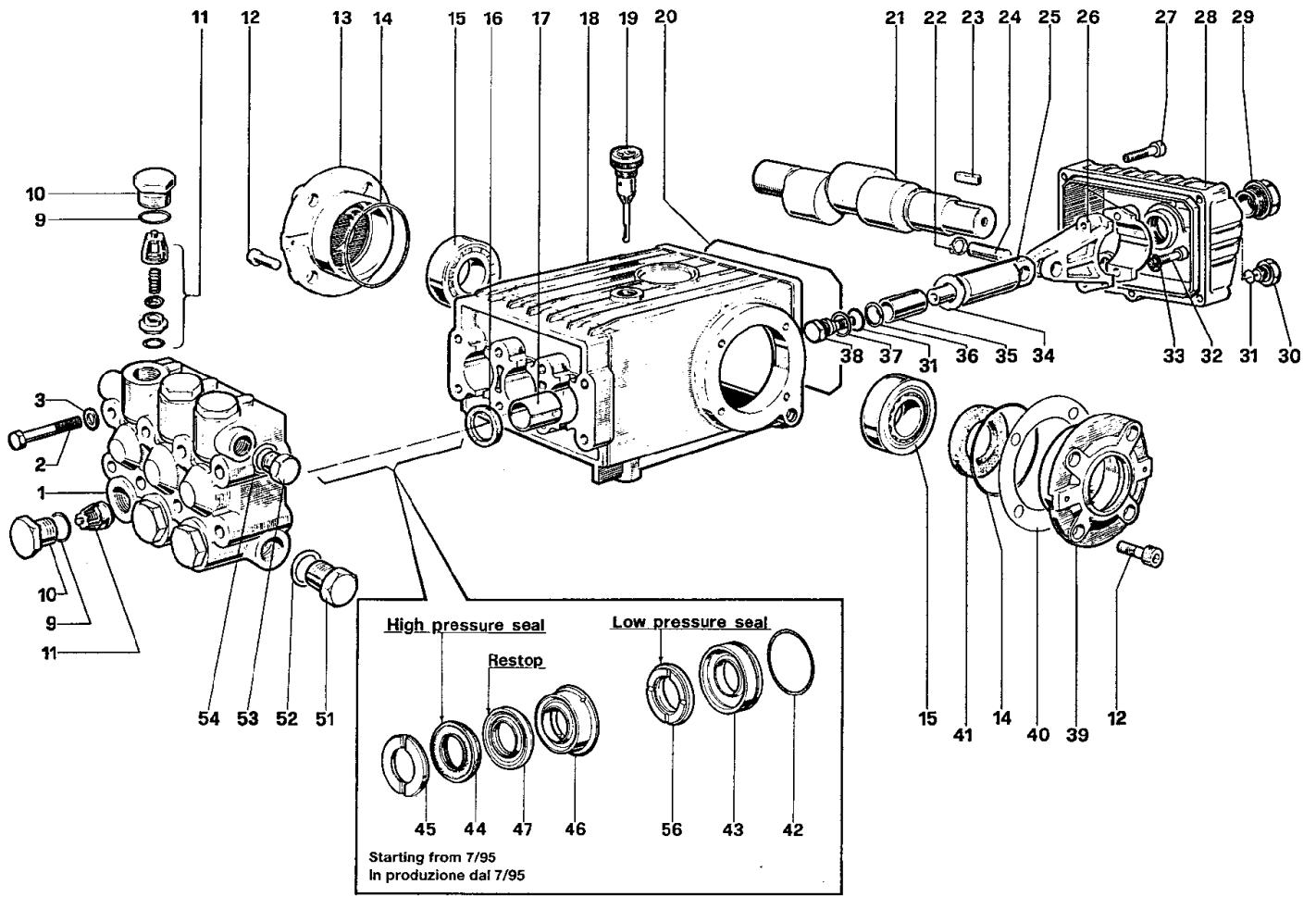
Ref.	K	Part N.	Customer Part N.	Description	Qty	Validity:		Price
						From	To	
0001		LAFN88377		AXLE PRT 2V. 3PZ.	1,00			--
0003		VTVT39735		SCREW TCB-TC 5 X80 TL P/PLS	4,00			--
0004		VTRS04924		WASHER D.23X 39	4,00			--
0005		VTAE33674		CIRCLIP D. 22 UNI 7435	5,00			--
0006		MPVR45822		BUSHING D.28-38/22.5 L=24.5 PVC N	2,00			--
0007		LAFN88365		HOSE WIND.SUPP.P176 DX	2,00			--
0008		VTVT13797		SCREW TE 8X16 UNI8111 SW.FRM	4,00			--
0009		VTVT43875		SCREW TSPEI 4X40 UNI5933	1,00			--
0010		MPVR31495		HANDLE PRT D. 3.5	1,00			--
0011		VTDD04369		NUT M 4 TEF UNI 7473	1,00			--
0012		MPVR39257		SPACER A.T PP	2,00			--
0013		TBAP37922		HOSE-FITTING 3/ 8 R2 L=440 3/8F -M22F	1,00	11/2004		--
0014		GUVR37665		ANTI-EXTR.RING D.17.8X22 X1.5 PTFE	2,00			--
0015		GUGO01032		O-RING D. 17.13 X 2.62 NBR 70SH	2,00			--
0017		VTVT00454		SCREW TE 10X16	1,00			--
0018		VTRS00514		WASHER D.10X30X11.4	1,00			--



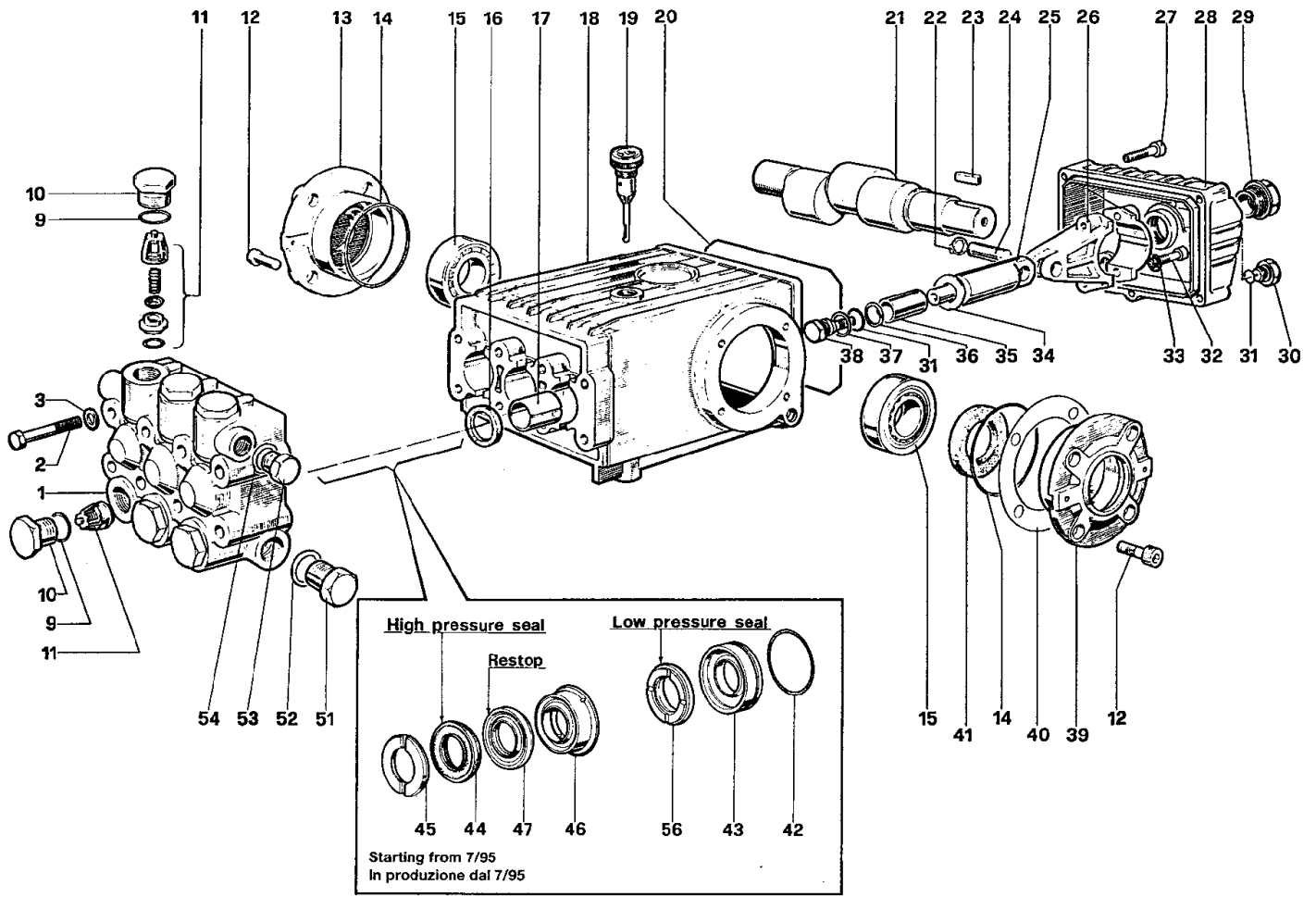
Ref. K	Part N.	Customer Part N.	Description	Qty	Validity:		Price
					From	To	
0001	PVVR45296		COUPLING G 1/4M -M22 M +PR.PLS	1,00			--
0002	MPVR45214		PROTECTION TB.1/4 MTM	1,00			--
0003	RCGR45737		TAP 1/8 F LD MTM	1,00			--
0004	LCPR45740		TUBE 1/8 L=660 INOX MTM	2,00			--
0005	MPVR45001		SHELL LD MTM	1,00			--
0006	RCVR45741		NOZZLE HOLDER 1/4-1/8 F MTM	2,00			--
0007	PVVR43810		PROTECTION L.D. MTM	1,00			--



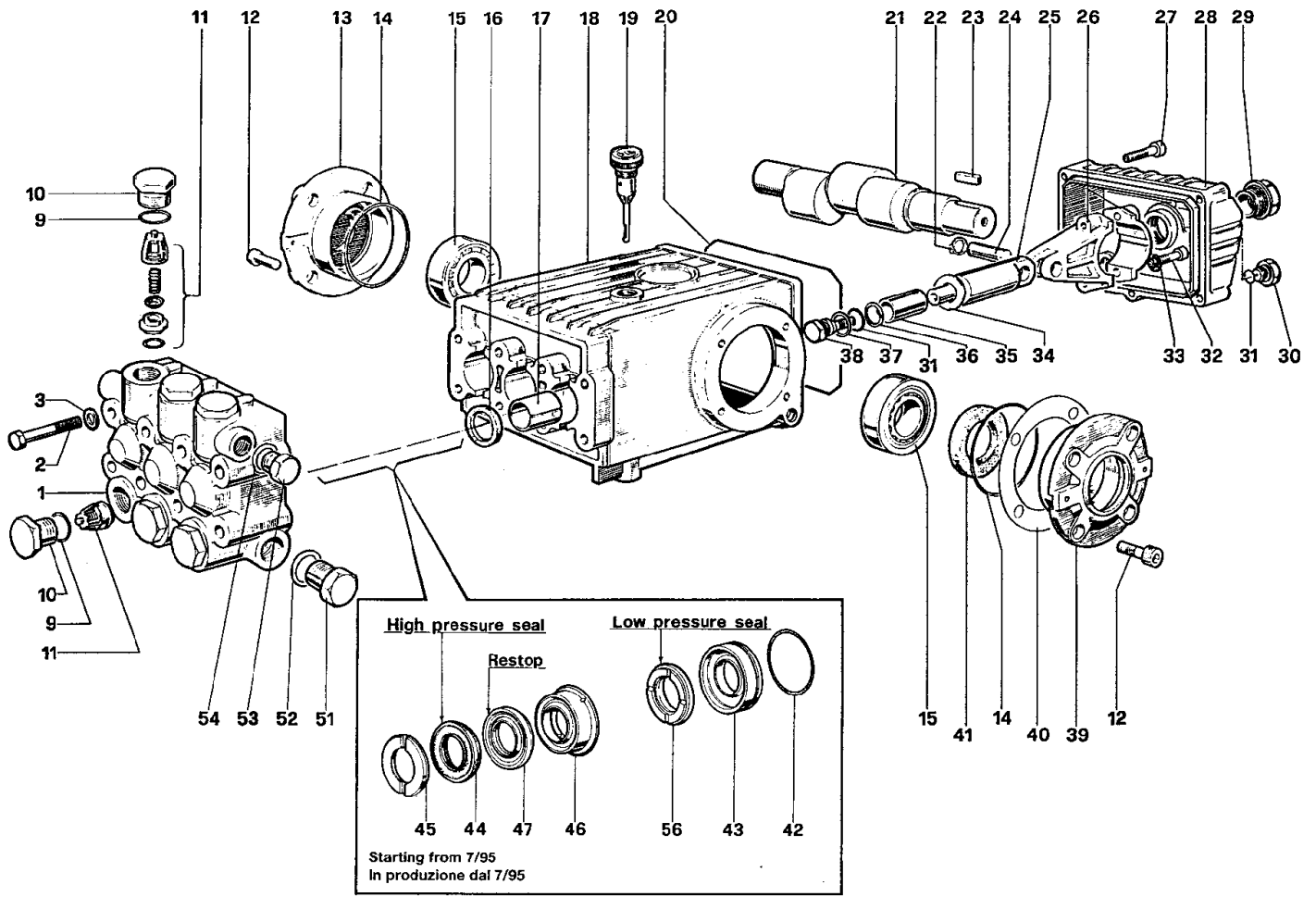
Ref.	K	Part N.	Customer Part N.	Description	Qty	Validity:		Price
						From	To	
0001		LAFN40007		PROTECTION ED H.112 EST. LM.BK	1,00			--
0002		VEVR48370		MOTOR FAN H 112 EST. ELD	1,00			--
0003		CUVR40002		BALL BEARING 6306 2Z	1,00			--
0004		MORT40001		EL.MOT. ROTOR 7.5HP T 4P H112 AC EST ED	1,00			--
0005		CUVR21250		BALL BEARING 6008 2Z	1,00			--
0006		MFVR48371		FLANGE MOTOR MEC 112 T. EST. ELD	1,00			--



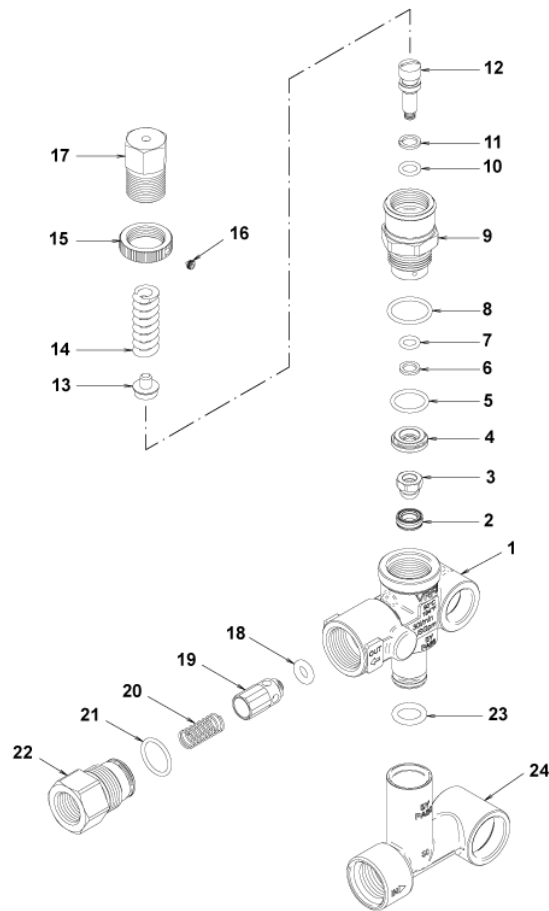
Ref.	K	Part N.	Customer Part N.	Description	Qty	Validity:		Price
						From	To	
0001		MFVR01097		HEAD W 151	1,00			--
0002		VTVT01111		SCREW TE M 8X70 UNI 5737 A.10.9	8,00			--
0003		VTRS01072		WASHER D. 8 TC	8,00			--
0009	S	GUGO01033		O-RING D. 20.24 X 2.62 NBR 90SH	6,00			--
0010	S	RCDS01087		CAP M24X2X16 OTT	6,00			--
0011	S	VVAM01104		VALVE UNIT W 70-151	6,00			--
0012		VTVT01118		SCREW TCEI M 8X16 ZC. UNI 5931	8,00			--
0013		MFVR03576		CRANKASE COVER W151	1,00			--
0014		GUGO01041		O-RING D. 67.95 X 2.62 NBR 70SH	2,00			--
0015		CUVR09205		ROLLER BEARING 32206 A	2,00			--
0016	S	GUGO01000		OIL SEAL 22X 32X 5 NBR70	3,00			--
0017		PVVR01011		BUSHING W 151	3,00			--
0018		MFVR01013		PUMP CRANKCASE W 151	1,00			--
0019		PVVR01092		OIL DIPSTICK W 151	1,00			--
0020		GUGO34590		O-RING D. 133.02 X 2.62 NBR 70SH	1,00			--
0021		ALMO41530		SHAFT TS 1511 USA	1,00			--
0022		VTAE14016		CIRCLIP D. 12 UNI 7435	6,00			--
0023		VTVR41531		KEY 8X 7X35 UNI 6604A	1,00			--
0024		PVVR01085		GUDGEON D.13X35 W151	3,00			--
0025		PVVR01029		PISTON GUIDE W 151	3,00			--
0026		BLVR01009		CONNECTING ROD W 151	3,00			--
0027		VTVT01116		SCREW TCEI 6X30 UNI5931	5,00			--
0028		MFVR03582		CRANKASE COVER W 151 POS	1,00			--
0029		PVVR01083		OIL INDICATOR G 3/4 W70-151	1,00			--
0030		RCDS01088		CAP 1/4X 9 M WW90	1,00			--
0031	S	GUGO01036		O-RING D. 10.82 X 1.78 NBR 70SH	4,00			--
0032		VTVT01120		SCREW TCEI 8X35 UNI5931	6,00			--
0033		VTRS14242		WASHER D. 8.4X13X0.8 UNI7064 SCH	6,00			--
0034	S	VTRS01753		WASHER D.14X28 X0,5	3,00			--
0035		PIVR01066		PISTON D.20X50 W 151	3,00			--
0036	S	GUVR00994		ANTI-EXTR.RING W151	3,00			--
0037	S	VTRS01076		WASHER D.14X18,5X0,5	3,00			--
0038	S	PVVR01107		PISTON BOLT IP W151	3,00			--
0039		MFVR03583		CRANKASE COVER W151	1,00			--
0040		PVVR01016		THICKNESS 0,1 W 151	2,00			--
0041	S	GUGO01003		OIL SEAL 30X 55X 7 NBR70	1,00			--
0042	S	GUGO01042		O-RING D. 34.6 X 1.78 NBR 70SH	3,00			--
0043	S	PVVR00977		PACKING RETAIN.W151	3,00			--
0044	S	GUVR00981		PACKING W151	3,00			--



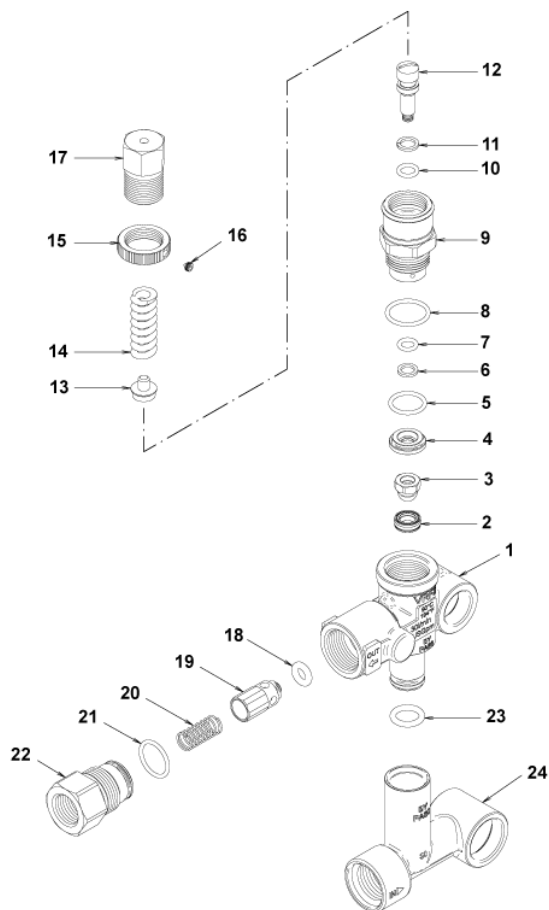
Ref.	K	Part N.	Customer Part N.	Description	Qty	Validity:		Price
						From	To	
0045	S	PVVR00985		HEAD RING W151	3,00			--
0046	S	PVVR34589		INTERMED. RING W 151 D. 20	3,00			--
0047	S	GUVR34587		PACKING D. 20 RESTOP	3,00			--
0051		RCDS01091		CAP 1/2X10 M	1,00			--
0052		VTRS01075		WASHER D.21,5X27 ALL	1,00			--
0053		RCDS01090		CAP 3/8X13 M WW90	1,00			--
0054		VTRS01074		WASHER D.17,05X22,3 X1,5	1,00			--
0056	S	GUVR34585		PACKING W 151 L.P.	3,00			--



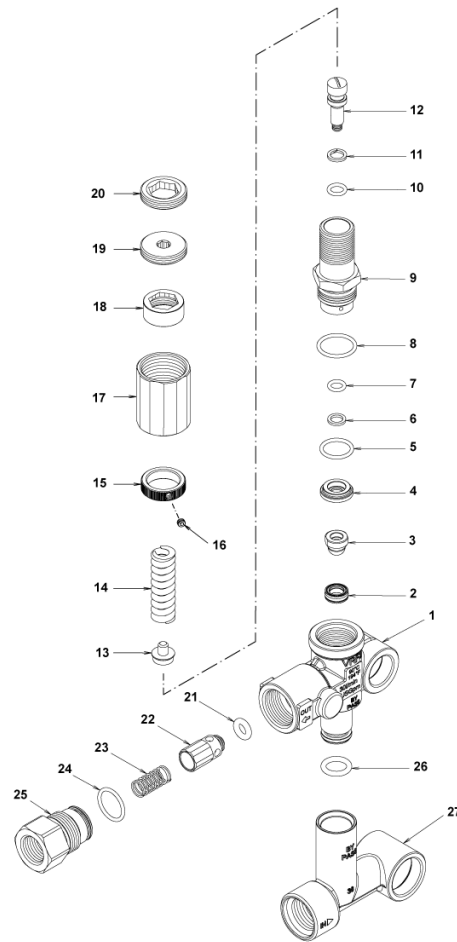
Ref. Part N.	Cust. Part N.	Description	Reference	Price
KTRI14900	KIT P	15- 3	0041	--
KTRI14901	KIT P	10	0042 0043	--
KTRI17793	KIT P	6	0031 0034 0036 0037 0038	--
KTRI17795	KIT P	4	0009 0010	--
KTRI17859	KIT P	1	0011	--
KTRI17860	KIT P	15- 2	0016	--
KTRI18574	KIT P	7	0045	--
KTRI18579	KIT P	28	0042 0043 0044 0045 0046 0047 0056	--



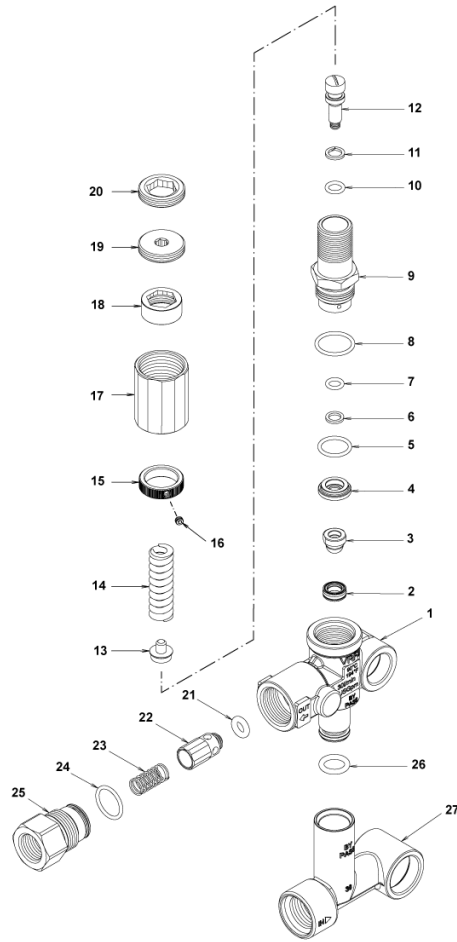
Ref.	K	Part N.	Customer Part N.	Description	Qty	Validity:		Price
						From	To	
0001		PVVR40362		VALVE BODY VRF2	1,00			--
0002	S	PVVR40363		VALVE SEAT MV124 +OR	1,00			--
0003	S	PVVR40364		COUPLING MV124	1,00			--
0004	S	PVVR40365		SPACER MV124	1,00			--
0005	S	GUGO12322		O-RING D. 14 X 1.78 NBR 90SH	1,00			--
0006	S	GUVR40072		ANTI-EXTR.RING D. 6.5X 9.4	1,00			--
0007	S	GUGO83861		O-RING D. 6.07 X 1.78 NBR 90SH	1,00			--
0008	S	GUGO24913		O-RING D. 17.17 X 1.78 NBR 90SH	1,00			--
0009	S	PVVR40366		CONNECTOR VRF2 D.10	1,00			--
0010	S	GUGO03500		O-RING D. 6.75 X 1.78 NBR 70SH	1,00			--
0011	S	GUVR40073		ANTI-EXTR.RING D. 7.1X10 X1.2 TBT	1,00			--
0012	S	PVVR40367		SMALL PISTON D.10 VRF2	1,00			--
0013		PVVR40368		SPRING PLATE MV124 25B	1,00			--
0014		MLML40027		SPRING D. 3.0/6.0 X38.85	1,00			--
0015		PVVR40369		RING NUT MV167.09	1,00			--
0016		VTVT89696		SCREW EI-ST 4X 4 UNI5927 ZC	1,00			--
0017		PVVR40370		CAP VRF2 M18X1	1,00			--
0018	S	GUGO46053		O-RING D. 6 X 3 NBR 90SH	1,00			--
0019	S	PVVR40349		COUPLING VRT3	1,00			--
0020	S	MLML40026		SPRING VRT3	1,00			--
0021	S	GUGO12321		O-RING D. 15.6 X 1.78 NBR 90SH	1,00			--
0022		PVVR40350		CONNECTOR VRT3 G 3/8F	1,00			--
0023		GUGO11225		O-RING D. 10.78 X 2.62 NBR 70SH	1,00			--
0024		PVVR40371		CONNECTOR VRF2.38	1,00			--



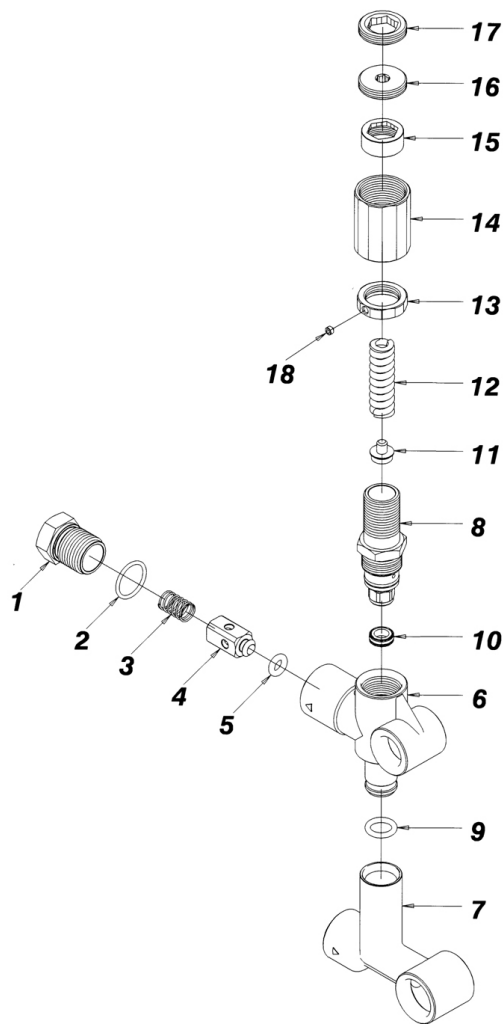
Ref. Part N.	Cust. Part N.	Description	Reference	Price
KTRI40236	KIT P	14-103 VRF2	0002 0003 0004 0005 0006 0007 0008 0009 0010 0011 0012 0018 0019 0020	
			0021	--
KTRI40237	KIT P	14-104 SEAL VRF2	0002 0003 0005 0006 0007 0008 0010 0011 0018 0021	--



Ref.	K	Part N.	Customer Part N.	Description	Qty	Validity: From To	Price
0001		PVVR40362		VALVE BODY VRF2	1,00		--
0002	S	PVVR40363		VALVE SEAT MV124 +OR	1,00		--
0003	S	PVVR40364		COUPLING MV124	1,00		--
0004	S	PVVR40365		SPACER MV124	1,00		--
0005	S	GUGO12322		O-RING D. 14 X 1.78 NBR 90SH	1,00		--
0006	S	GUVR40072		ANTI-EXTR.RING D. 6.5X 9.4	1,00		--
0007	S	GUGO83861		O-RING D. 6.07 X 1.78 NBR 90SH	1,00		--
0008	S	GUGO24913		O-RING D. 17.17 X 1.78 NBR 90SH	1,00		--
0009	S	PVVR40388		CONNECTOR VRF2 RG.165 56A	1,00		--
0010	S	GUGO03500		O-RING D. 6.75 X 1.78 NBR 70SH	1,00		--
0011	S	GUVR40073		ANTI-EXTR.RING D. 7.1X10 X1.2 TBT	1,00		--
0012	S	PVVR40367		SMALL PISTON D.10 VRF2	1,00		--
0013	S	PVVR40368		SPRING PLATE MV124 25B	1,00		--
0014	S	MLML47987		SPRING D. 3.25X41.1 MV 625	1,00		--
0015	S	PVVR40369		RING NUT MV167.09	1,00		--
0016	S	VTVT89696		SCREW EI-ST 4X 4 UNI5927 ZC	1,00		--
0017	S	PVVR47989		CAP MV 625 REG.	1,00		--
0018	S	PVVR47990		RING NUT MV 625 REG.	1,00		--
0019	S	PVVR47991		REGISTER MV 625 REG.	1,00		--
0020	S	PVVR47992		CLAMP MV 625 REG.	1,00		--
0021	S	GUGO46053		O-RING D. 6 X 3 NBR 90SH	1,00		--
0022		PVVR40349		COUPLING VRT3	1,00		--
0023		MLML40026		SPRING VRT3	1,00		--
0024	S	GUGO12321		O-RING D. 15.6 X 1.78 NBR 90SH	1,00		--
0025		PVVR40350		CONNECTOR VRT3 G 3/8F	1,00		--
0026		GUGO11225		O-RING D. 10.78 X 2.62 NBR 70SH	1,00		--
0027		PVVR40371		CONNECTOR VRF2.38	1,00		--



Ref. Part N.	Cust. Part N.	Description	Reference	Price
KTRI40237	KIT P	14-104 SEAL VRF2	0002 0003 0005 0006 0007 0008 0010 0011 0021 0024	--
KTRI40256	KIT P	14-105 VRF2 Reg.	0002 0003 0004 0005 0006 0007 0008 0009 0010 0011 0012 0013 0014 0015	--
			0016 0017 0018 0019 0020	--



Ref.	K	Part N.	Customer Part N.	Description	Qty	Validity:		Price
						From	To	
0001		PVVR47977		CONNECTOR MV625 G 3/8F	1,00			--
0002		GUGO01058		O-RING D. 17.17 X 1.78 NBR 70SH	1,00			--
0003		MLML47978		SPRING MV 625	1,00			--
0004		PVVR47979		PIN MV 625	1,00			--
0005		GUGO46053		O-RING D. 6 X 3 NBR 90SH	1,00			--
0006		PVVR47980		VALVE BODY MV 625	1,00			--
0007		PVVR47997		CONNECTOR MV 625 H.73	1,00			--
0008		PVVR47988		CONNECTOR MV 625 REG.	1,00			--
0009		GUGO11225		O-RING D. 10.78 X 2.62 NBR 70SH	1,00			--
0010		PVVR47985		VALVE SEAT MV 625 + O-RING	1,00			--
0011		PVVR47986		SPRING PLATE MV 625	1,00			--
0012		MLML47987		SPRING D. 3.25X41.1 MV 625	1,00			--
0013		PVVR47984		RING NUT MV 625	1,00			--
0014		PVVR47989		CAP MV 625 REG.	1,00			--
0015		PVVR47990		RING NUT MV 625 REG.	1,00			--
0016		PVVR47991		REGISTER MV 625 REG.	1,00			--
0017		PVVR47992		CLAMP MV 625 REG.	1,00			--
0018		VTVT24918		SCREW EI-ST 4X 4 UNI5927	1,00			--