



IPC Integrated Professional Cleaning

IPC Portotecnica

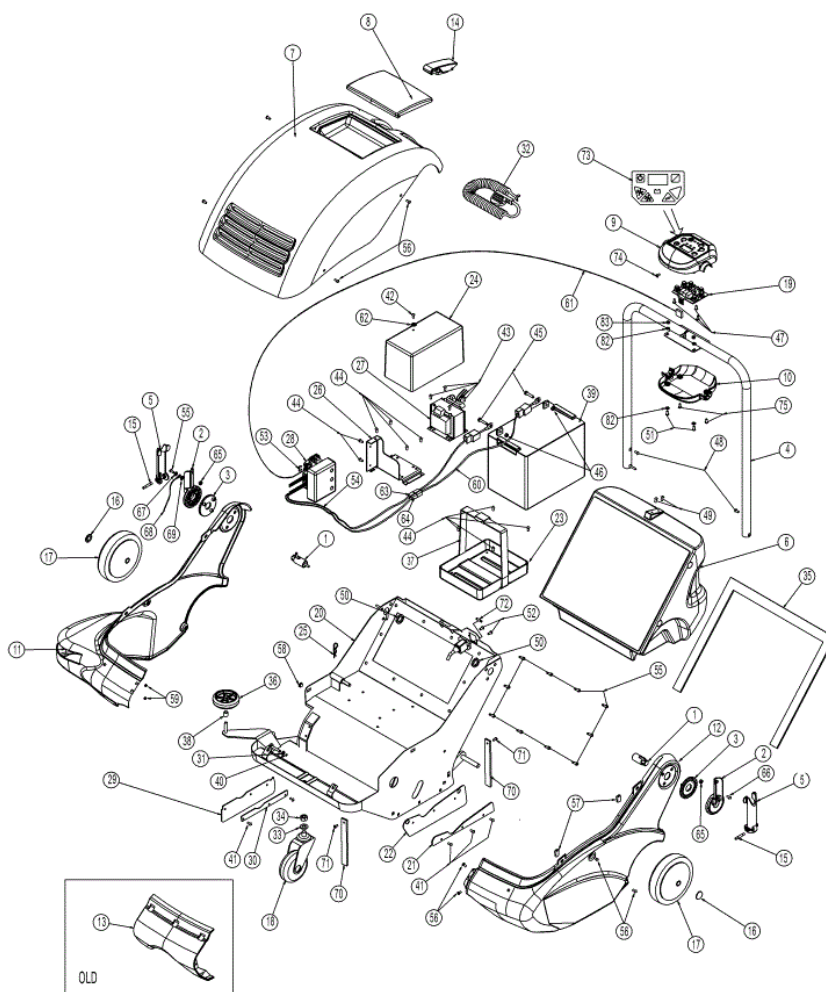
Spare Parts List

IPF ENGINEERING LTD

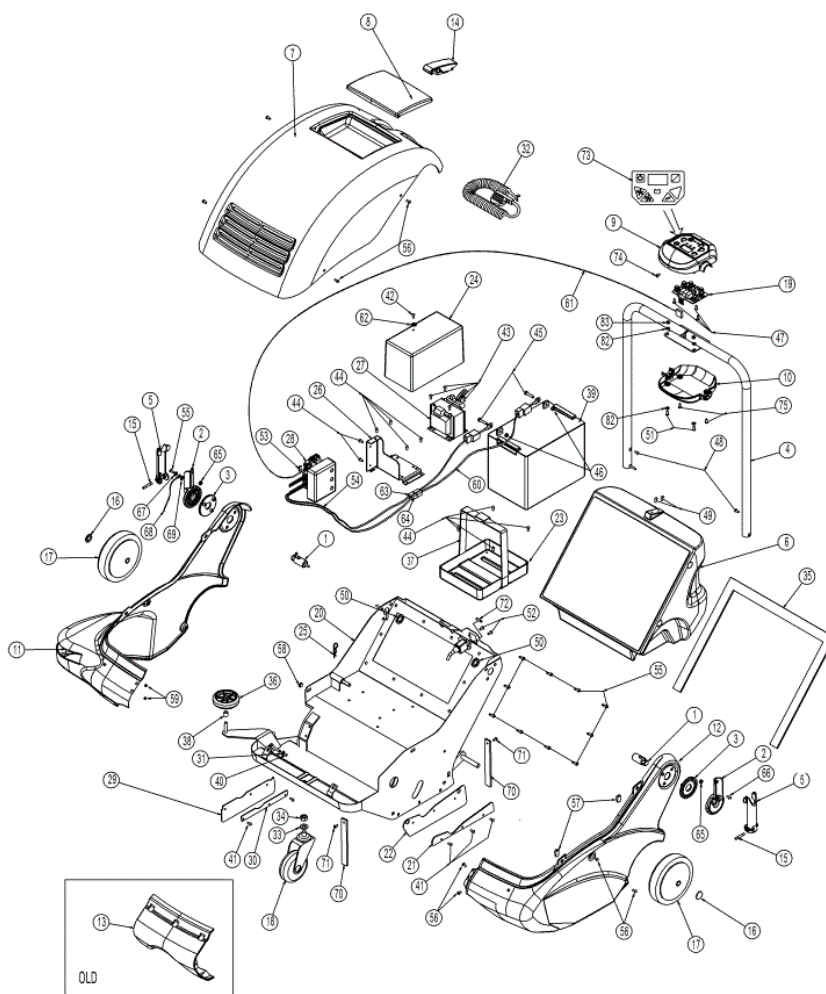
Ref: MSUT00715

Model: MOTOSPAZZ LION 460

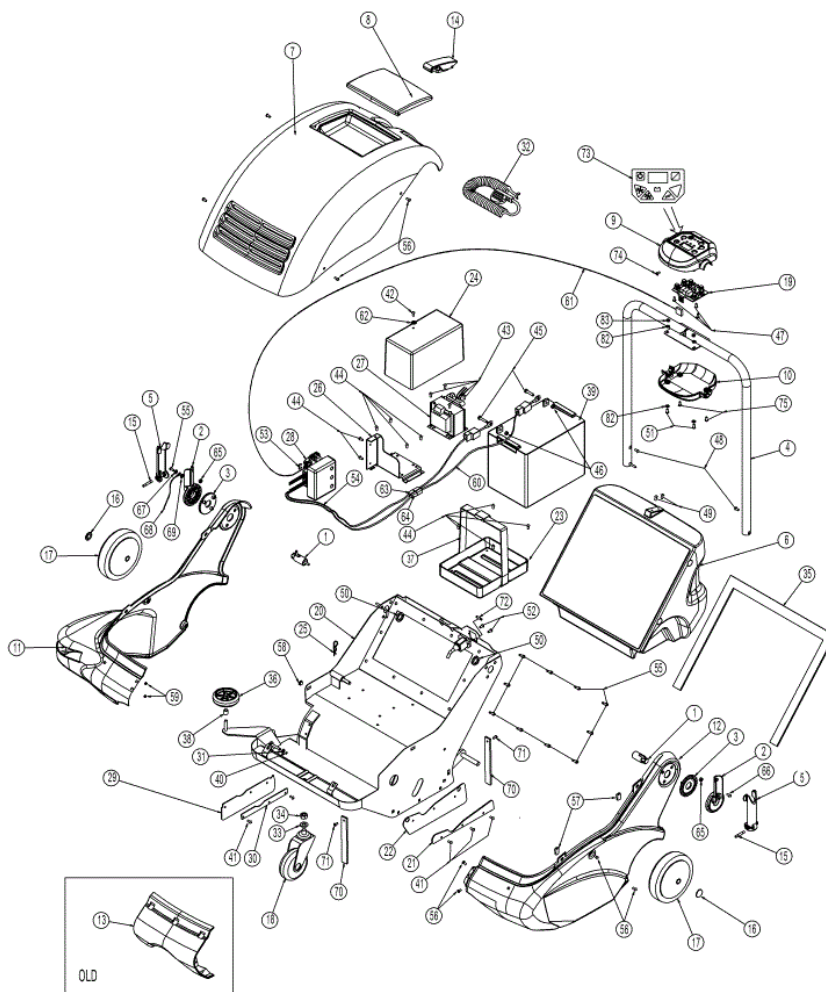
3-01PRT



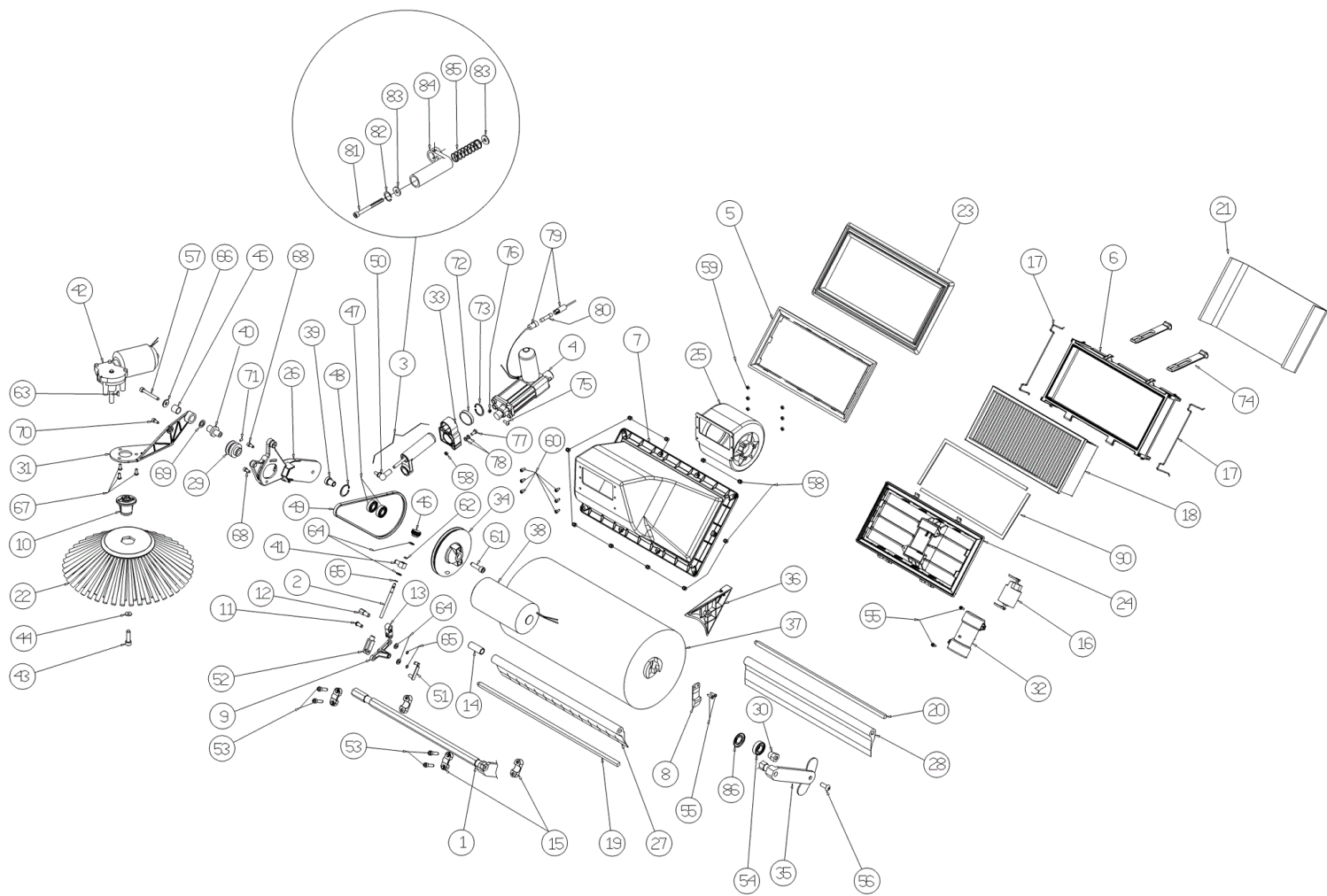
Ref. K	Part N.	Customer Part N.	Description	Qty	Validity:		Price
					From	To	
0001	LAFN01223		PIN ROTAZIONE MANIGLIONE	2,00			--
0002	MPVR00914		HOOK MARGHERITA	2,00			--
0003	MPVR00915		HOOK MARGHERITA	2,00			--
0004	LAFN06583		HANDLE SILVER 460 + IMPUGNATURE	1,00			--
0005	MPVR00917		CLAMP MANIGLIONE	2,00			--
0006	MPVR00921		DRAWER RIFIUTI	1,00		05/2006	--
0006	MPVR05160		DRAWER RIFIUTI 460	1,00	05/2006		--
0007	MPVR05300		HOOD COMPLETO	1,00			--
0008	MPVR05146		COVER	1,00			--
0009	MPVR00926		INSTR.PANEL SUPERIORE	1,00	05/2006		--
0009	MPVR04643		INSTR.PANEL SUPERIORE SILVER 460	1,00		05/2006	--
0010	MPVR00927		INSTR.PANEL INFERIORE	1,00	05/2006		--
0010	MPVR04644		INSTR.PANEL INFERIORE SILVER 460	1,00		05/2006	--
0011	MPVR00928		BODY SIDE DESTRA	1,00	06/2014		--
0011	MPVR05149		BODY SIDE DESTRA	1,00		06/2014	--
0012	MPVR00929		BODY SIDE SINISTRA	1,00	06/2014		--
0012	MPVR05150		BODY SIDE SINISTRA	1,00		06/2014	--
0013	MPVR04640		SIDE PANEL ANTERIORE SILVER 460	1,00		05/2006	--
0014	MPVR00902		HANDLE BLOCCA CASSETTO	1,00			--
0015	VTVR00304		PLUG UNI/N 22338 D.6 L=40	2,00			--
0016	VTVR00305		WASHER DI FERMO DIAMETRO 12	2,00			--
0017	RTRT00039		WHEEL POSTERIORE	2,00			--
0018	RTRT00040		WHEEL ANTERIORE	1,00			--
0019	MECE00020		BOARD DISPLAY 460-464	1,00			--
0020	LAFN01219		FRAME P203	1,00			--
0021	LAFN01235		PLATE FISSA FLAP SX	1,00			--
0022	MPVR00938		FLAP LATERALE SX	1,00			--
0023	MPVR04649		CONTAINER BATTERIA 60A	1,00		05/2006	--
0023	MPVR05106		CONTAINER BATTERIA	1,00	05/2006		--
0024	MPVR00941		COVERING SCHEDA POTENZA	1,00		05/2006	--
0024	MPVR05105		COVERING SCHEDA DI POTENZA	1,00	05/2006		--
0025	VTVR47052		SPLIT PIN "R" D. 2 X 43 ZC	1,00			--
0026	LAFN06585		SUPPORT SCHEDA POTENZA	1,00			--
0027	MECE00022		TRANSFORMER PER CARICA BATTERIA 230V	1,00			--
0028	MECE00025		PCB 460	1,00			--
0029	MPVR00937		FLAP LATERALE DX	1,00			--
0030	LAFN01234		PLATE FISSA FLAP DX	1,00			--
0031	VTVR00011		WASHER UNI 6592 6X12 ZB	1,00			--
0032	MECB00922		EXTENSION 3x0,75 SHUKO PLUG	1,00			--



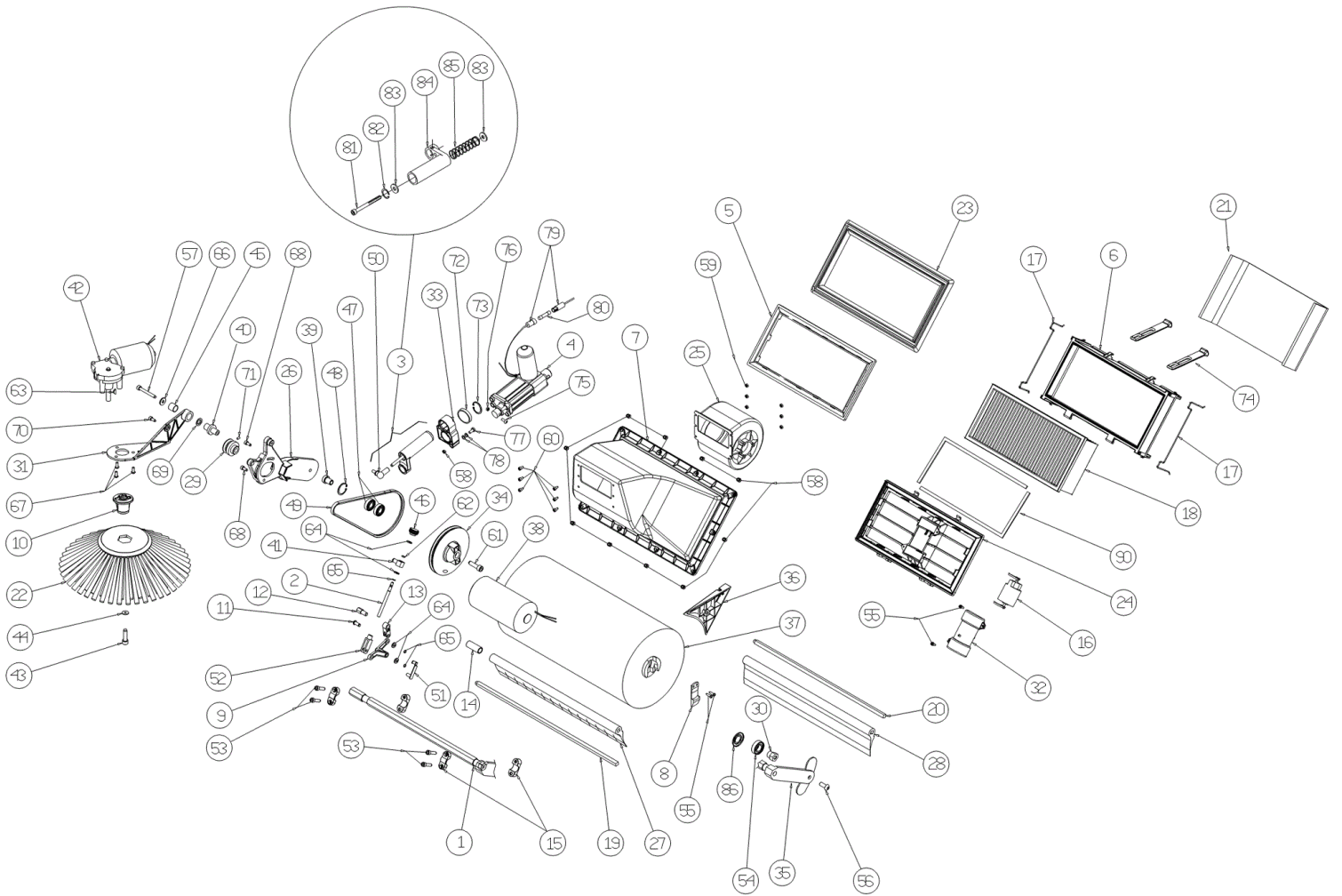
Ref.	K	Part N.	Customer Part N.	Description	Qty	Validity:		Price
						From	To	
0033		VTRS86510		WASHER 15X24 UNI6592	1,00			--
0034		VTDD00012		NUT AUTOBLOK DIN 985 M12 ZB	1,00			--
0035		MPVR01708		KIT MOUSSE SILVER 460	1,00			--
0036		RTRT00011		WHEEL D.150 GRI/NR PARAC.SILVER	1,00			--
0037		MPVR02939		BELT BATTERIA	1,00			--
0038		LAFN75911		SPACER D.12 h.7	1,00			--
0039		BAAC00019		BATTERY 12V 42AH/20H AGM	1,00			--
0040		VTAE48552		CIRCLIP D. 6 UNI 7435	1,00			--
0041		VTVT00106		SCREW AUTOFIL. TC 3,5X14,5	5,00		07/2008	--
0041		VTVT00800		SCREW TC 4X12 ZN	5,00	07/2008		--
0042		VTVT00003		SCREW TE M 4X 12 ZC. UNI 5739	1,00			--
0043		VTVT72043		SCREW M 4 X16 TC UNI7687	4,00			--
0044		VTVT00003		SCREW TE M 4X 12 ZC. UNI 5739	10,00			--
0045		VTVT00104		SCREW TE UNI 5739 6X18 ZB	2,00			--
0046		VTDD00482		NUT M 6 ZIN UNI 5588	2,00			--
0047		VTVT00098		SCREW AUTOF.TC UNI 6954 3,9X9,5	3,00			--
0048		VTVT00993		SCREW TC UNI 8112 TRILOBATA	2,00			--
0049		VTVT00075		SCREW TSCE UNI 5933 5X20 ZB	2,00			--
0050		LAFN06270		RING NUT BLOCCAGGIO MARGHERITA	2,00			--
0051		VTVT14062		SCREW TE 5X16 UNI5739	2,00			--
0052		VTVT01353		SCREW TSCE UNI 5933 3X8 ZB	2,00		05/2016	--
0053		MEVR00039		FUSE LAMELLARE 20A	1,00			--
0054		MECE00026		WIRING SILVER 460 E	1,00			--
0055		VTVT83145		SCREW TSCE UNI 5933 5X15 ZB	11,00			--
0056		VTVT75726		SCREW TBEI M 6X 16 ISO 7380 ZB	12,00			--
0057		MLML00001		SPRING PRESTOLA FILETTATA M6X1	4,00			--
0058		VTDD00501		NUT INGABBIATO M6	4,00			--
0059		VTDD00491		NUT M 6 TEF	4,00			--
0060		MECB00924		CABLE COLL.BATT.+CAPPUC	1,00			--
0061		MECE00023		CABLE PCB DISPLAY	1,00			--
0062		VTRS15959		WASHER D. 4X12 UNI 6593	1,00			--
0063		MEVR00082		CONNECTOR PP75 CORPO NERO	1,00			--
0064		MEVR00083		CONNECTOR PP75 CORPO ROSSO	1,00			--
0065		VTDD00017		NUT AUTOBLOK DIN 985 M5	2,00			--
0066		VTVT05726		SCREW M 5X 12 TSPEI ZC. UNI5933	1,00			--
0067		VTRS00010		WASHER UNI 6592 5X10 ZB	1,00			--
0068		MECB00971		WIRING FUGGISCOSSA	1,00			--
0069		VTRS03924		WASHER D. 5 DIN 6798E	1,00			--
0070		MPVR04693		RUBBER FUGGISCOSSA	2,00			--



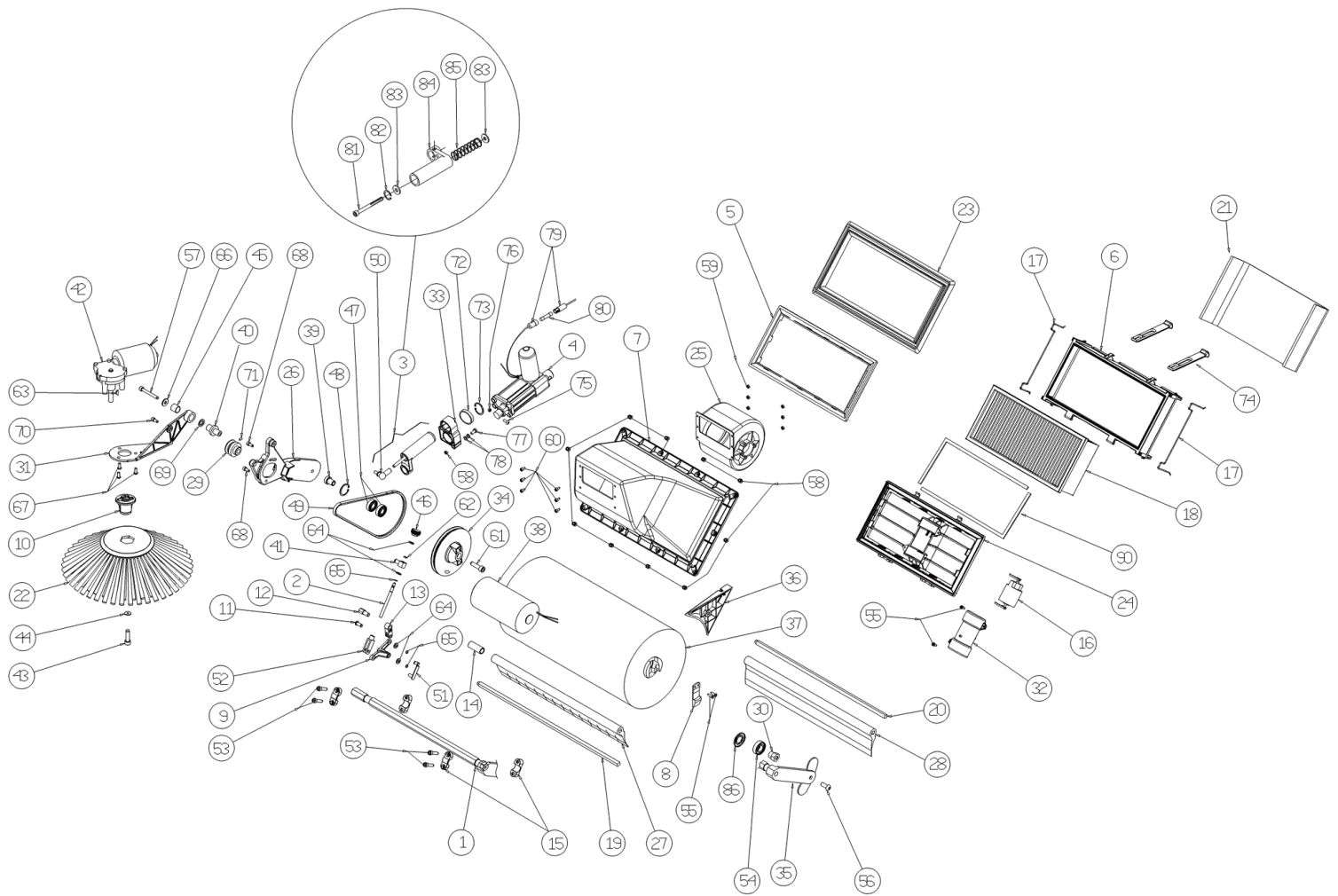
Ref. K	Part N.	Customer Part N.	Description	Qty	Validity:		Price
					From	To	
0071	VTVT62920		SCREW TE F/ROND. M 6X 16 ZB	2,00			--
0072	MEVR00150		FUSE 2.5 A 250V 5X20	1,00		03/2010	--
0072	MEVR01987		FUSE 2.5 A 250V 5X20	1,00	03/2010		--
0073	ETET00146		LABEL CRUSCOTTO P203	1,00			--
0074	VTVT00724		SCREW	1,00			--
0075	VTVT00892		SCREW	2,00			--



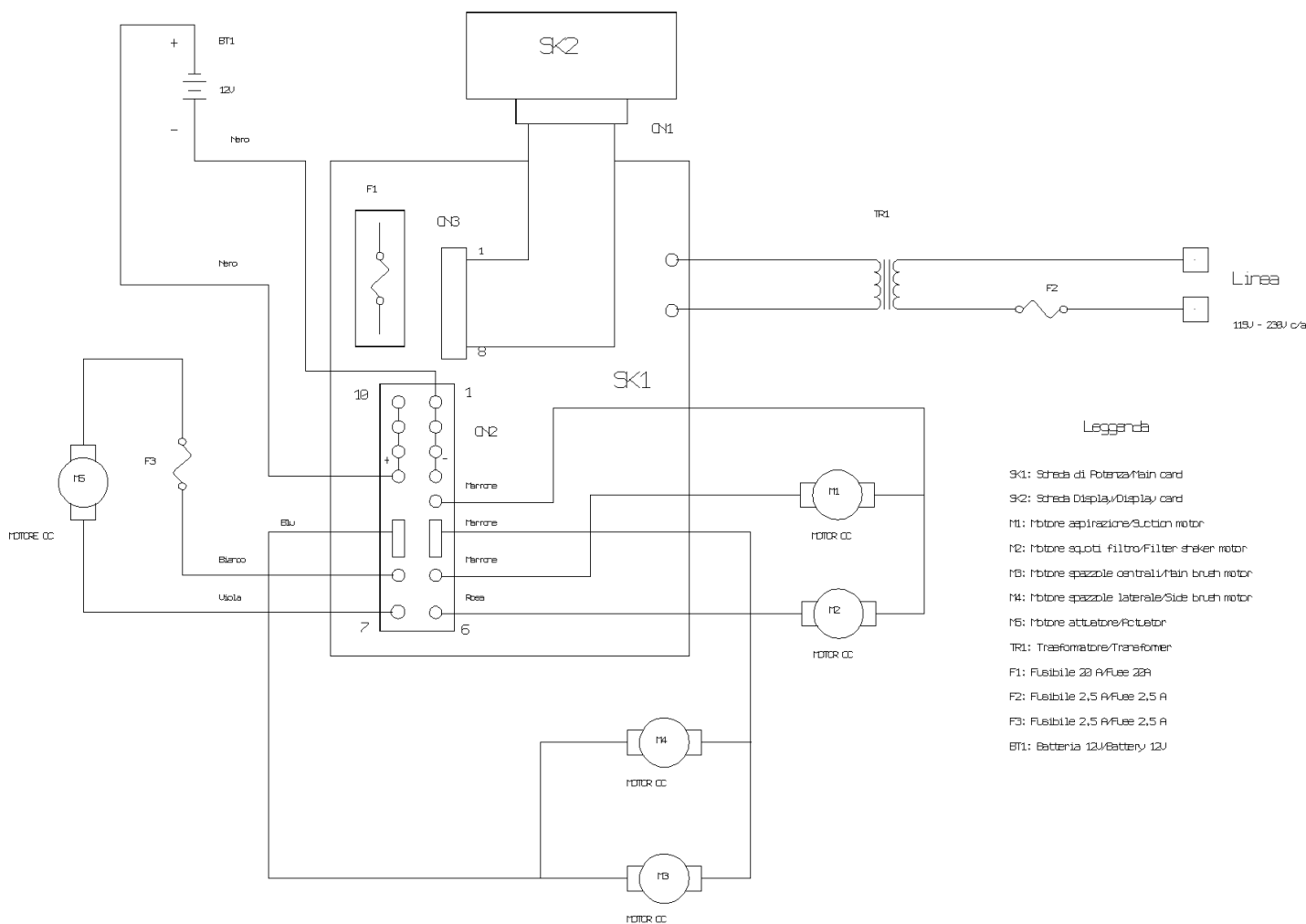
Ref.	K	Part N.	Customer Part N.	Description	Qty	Validity:		Price
						From	To	
0001		ALTR00041		SHAFT COMANDO SPAZZOLA CENTRALE	1,00			--
0002		ALTR00042		ROD MANOPOLA REGOLAZIONE	1,00			--
0003		PMVR00438		CASE COMPLETO	1,00			--
0004		MOCC00034		ATUATOR CENTRAL BRUSH 460-464	1,00			--
0005		MPVR00918		CLAMP TELAIO SCUOTIFILTRO	1,00			--
0006		MPVR00919		CLAMP FILTRO	1,00			--
0007		MPVR00920		CRANKCASE VENTILATORE	1,00	05/2006		--
0007		MPVR04645		CRANKCASE VENTILATORE	1,00		05/2006	--
0008		PMVR00333		LEVER AGGANCIAMENTO SPAZZOLA COMPL.	1,00			--
0009		MPVR00934		ARM RINVIO SPAZZOLA LAT.	1,00			--
0010		MPVR01707		HUB SPAZZOLA LATERALE 460	1,00			--
0011		MPVR00932		PIN BIELLETTA	1,00			--
0012		LAFN01227		PIN COMANDO BRACCIO SPAZZ. LAT	1,00			--
0013		MPVR00916		CONNECTING ROD RINVIO SPAZZ. LAT.	1,00			--
0014		LAFN01221		SPACER FLAP ANTERIORE	1,00			--
0015		MPVR00807		SUPPORT BRACCIO REGOL. SPAZZ.	2,00			--
0016		MOCC00035		MOTOR FILTER SHAKER 460-464	1,00			--
0017		MLML00040		SPRING PREFILTRO	2,00			--
0018		FTDP00013		FILTER PAPER G460-464	1,00			--
0019		LAFN01232		PIN PORTA FLAP ANTERIORE	1,00			--
0020		LAFN01233		PIN PORTA FLAP POSTERIORE	1,00			--
0021		FTDP00014		FILTER P203	1,00			--
0022		SPPV00303		BRUSH SIDE G460-464	1,00			--
0023		MPVR00931		GASKET PORTAFILTRO	1,00			--
0024		MPVR00933		FRAME SCUOTITORE	1,00			--
0025		MOCC00036		MOTOR SUCTION 460-464	1,00			--
0026		MFVR00025		ARM SPAZZOLA CENTR. LAT. TRAZ	1,00			--
0027		MPVR00935		FLAP ANTERIORE	1,00			--
0028		MPVR00936		FLAP POSTERIORE	1,00			--
0029		MTPL00038		PULLEY MOTORE SPAZZOLA CENTRALE	1,00			--
0030		LAFN01230		PIN SPAZZOLA CENTRALE LAT. SX	1,00			--
0031		LAFN15263		ARM SPAZZOLA LATERALE	1,00			--
0032		MPVR00925		COVER VIBRO SCUOTITORE	1,00			--
0033		MPVR00943		GUIDE MOLLA	1,00			--
0034		MTPL00039		PULLEY COMANDO SPAZZOLA CENTRALE	1,00			--
0035		MFVR00026		ARM SPAZZOLA CENTR. LAT. SX	1,00			--
0036		MPVR00940		CONVEYOR P203	1,00			--
0037		PMVR01121		BRUSH CENTRAL G460-464	1,00			--
0038		MEVR01660		CARBON MOTORE "MOCC00033"	2,00			--



Ref.	K	Part N.	Customer Part N.	Description	Qty	Validity:		Price
						From	To	
0038		MOCC00033		MOTOR CENTRAL BRUSH 460-464	1,00			--
0039		LAFN01229		PIN PULEGGIA SPAZZOLA CENTR.	1,00			--
0040		LAFN01228		PIN ROTAZIONE BRACCIO SPA.LAT	1,00			--
0041		LAFN01220		BLOCK SNODO ASTA REGOLAZIONE	1,00			--
0042		MEVR86071		CARBON MOTORE TK1000E TK1380108	2,00			--
0042		MOCC00037		MOTOR SIDE BRUSH 460-464	1,00			--
0042		MTIG00002		GEAR MOTORIDUT.D.63 BRACC.EL.	1,00			--
0043		VTVT29884		SCREW TE M 4X 16 UNI 5739	1,00			--
0044		VTRS05904		WASHER D. 4 X16 2.083	1,00			--
0045		LAFN06774		BUSHING GLYCODUR GLY.PG 14-16-15F	1,00			--
0046		VTVR00303		HANDWHEEL V1/30/BFC-M5	1,00			--
0047		CUVR46942		BALL BEARING 6001-2RS1 -SKF	2,00			--
0048		VTAE00010		SEEGER INTERNO DIN 472 D.28	1,00			--
0049		MTCG00019		BELT POLY 610 J 3	1,00			--
0050		VTVR45280		ARTICULATION AS M6	1,00			--
0051		CMCV00009		CLIP UNI 1676	1,00			--
0052		CMCV00006		FORK UNI 1676 M6X24	1,00			--
0053		VTVT06237		SCREW TCEI 6X20 UNI5931	4,00			--
0054		CUVR00164		BEARING 6002RS -SKF-	1,00			--
0055		VTVT00099		SCREW AUTOF.TC UNI 6954 3.9X13	2,00			--
0056		VTVT87271		SCREW TBEI M 8X 16 ISO 7380	1,00			--
0057		VTVT00063		SCREW TCCE UNI 5931 6X50 ZB	1,00			--
0058		VTDD00017		NUT AUTOBLOK DIN 985 M5	12,00			--
0059		VTDD00009		NUT AUTOBLOK DIN 985 M4 BASSO	6,00			--
0060		VTVT00003		SCREW TE M 4X 12 ZC. UNI 5739	6,00			--
0061		VTVT01354		SCREW TCCE UNI 5931 8X35 ZB	1,00			--
0062		GUGO00288		GASKET OR	1,00			--
0063		VTVR75730		KEY UNI 6606 3 X 3,7	1,00			--
0064		VTRS00011		WASHER UNI 6592 6X12 ZB	4,00			--
0065		VTAE48552		CIRCLIP D. 6 UNI 7435	3,00			--
0066		VTRS63242		WASHER D. 6 X24 ZC	1,00			--
0067		VTVT62920		SCREW TE F/ROND. M 6X 16 ZB	3,00			--
0068		VTVT00005		SCREW TE FR 5X12 ZB	1,00			--
0069		VTRS00029		THICKNESS 15X22X0,2	2,00			--
0070		VTVT00005		SCREW TE FR 5X12 ZB	1,00			--
0071		VTVT00989		GRUB SCREW 4X8 coppa zigrinata	1,00			--
0072		LAFN06775		SPACER -	1,00			--
0073		VTAE09655		CIRCLIP D. 25 UNI 7435	1,00			--
0074		MPVR04648		TIE ROD FISSA FILTRO SILVER 460	2,00			--



Ref.	K	Part N.	Customer Part N.	Description	Qty	Validity:		Price
						From	To	
0075		VTVT00245		SCREW TE M6X30 UNI 5739	1,00			--
0076		VTDD00010		NUT AUTOBLOK DIN 985 M6 BASSO	1,00			--
0077		VTVT00847		SCREW TBEI M5X25 INOX	2,00			--
0078		VTRS00010		WASHER UNI 6592 5X10 ZB	2,00			--
0079		MECB00925		CABLE COLLEGAMENTO ATTUATORE	1,00			--
0080		MEVR00150		FUSE 2.5 A 250V 5X20	1,00			--
0081		VTVT37013		SCREW TE M 6X100 UNI 5737	1,00			--
0082		VTAE00009		SEGER INTERNO DIN 472 D.20	1,00			--
0083		LAFN00124		BUSHING BATTUTA CILINDRO	2,00			--
0084		LAFN01238		GUIDE SPRING CASE	1,00			--
0085		MLML45281		SPRING TK1400	1,00			--
0086		LAFN07372		CAP PROTECTION BEARING 464	1,00			--
0090		GUGO00414		GASKET TELAIO SCUOTITORE	2,00			--



Ref.	K	Part N.	Customer Part N.	Description	Qty	Validity:		Price
						From	To	
BT1		BAAC00019		BATTERY 12V 42AH/20H AGM	1,00			--
F1		MEVR00039		FUSE LAMELLARE 20A	1,00			--
F2		MEVR00150		FUSE 2.5 A 250V 5X20	1,00			--
F3		MEVR00150		FUSE 2.5 A 250V 5X20	1,00			--
M1		MOCC00036		MOTOR SUCTION 460-464	1,00			--
M2		MOCC00035		MOTOR FILTER SHAKER 460-464	1,00			--
M3		MOCC00033		MOTOR CENTRAL BRUSH 460-464	1,00			--
M4		MOCC00037		MOTOR SIDE BRUSH 460-464	1,00			--
M5		MOCC00034		ATUATOR CENTRAL BRUSH 460-464	1,00			--
SK1		MECE00025		PCB 460	1,00			--
SK2		MECE00020		BOARD DISPLAY 460-464	1,00			--
TR1		MECE00022		TRANSFORMER PER CARICA BATTERIA 230V	1,00			--