



IPC Integrated Professional Cleaning

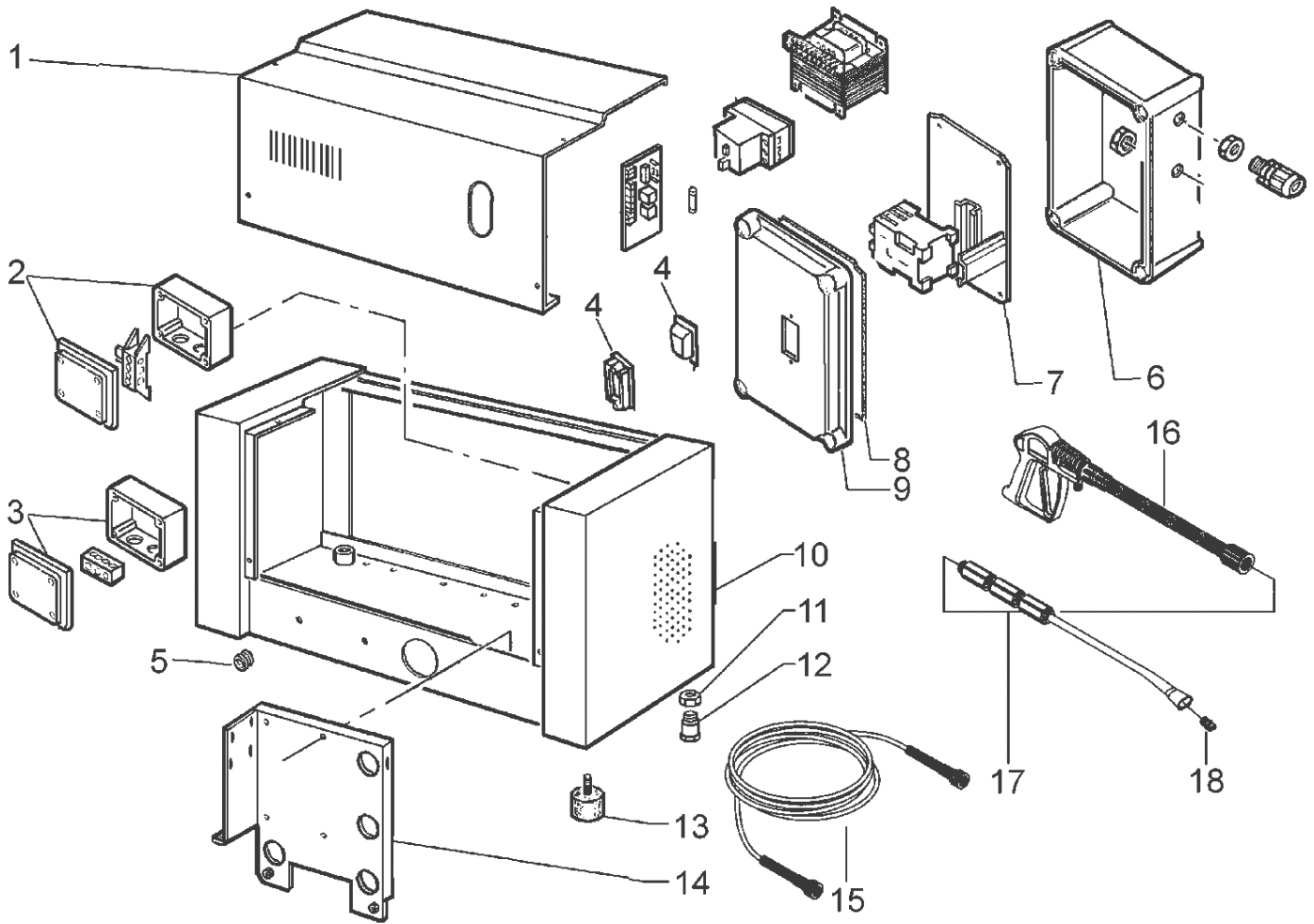
IPC Portotecnica

Spare Parts List

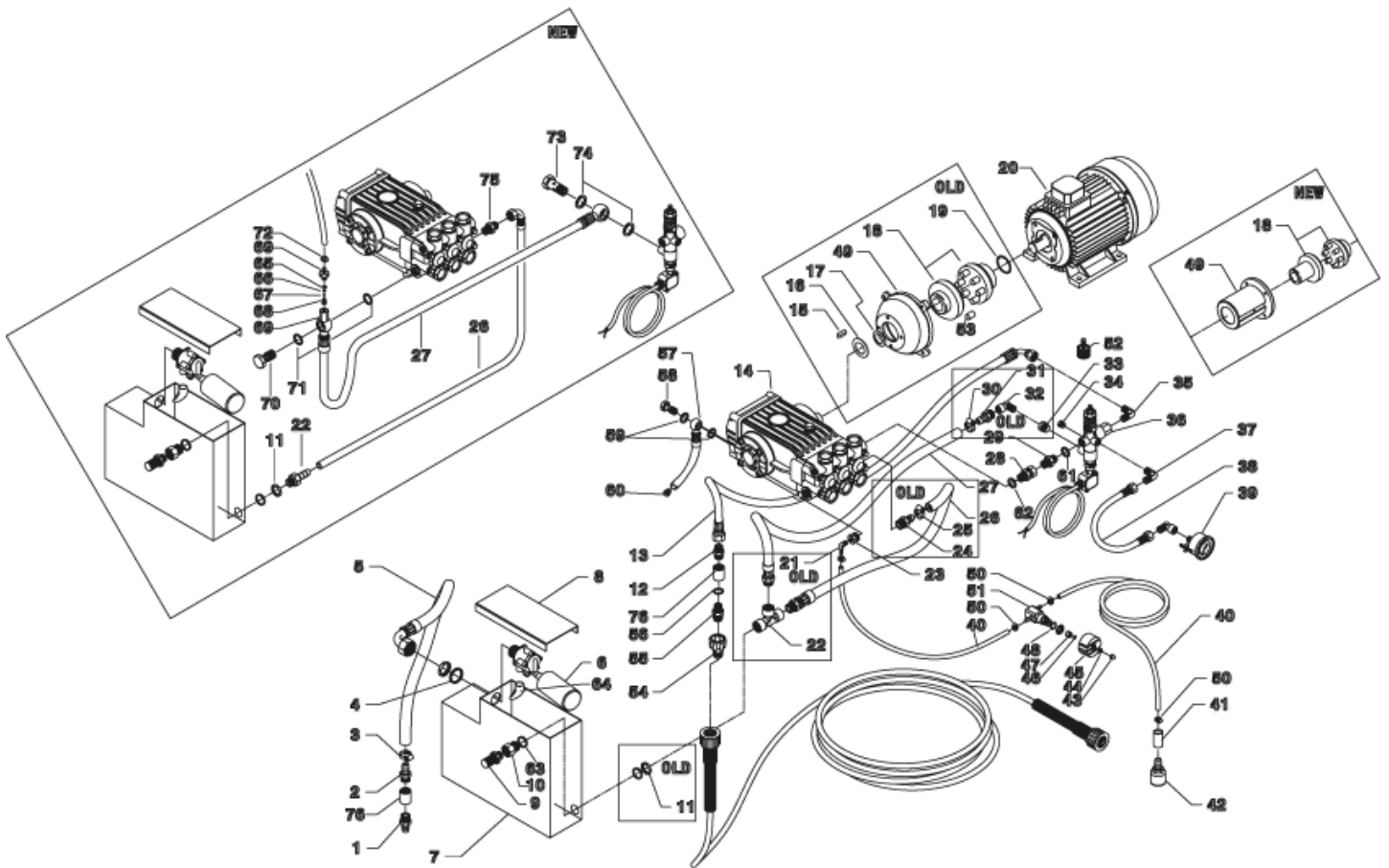
IPF ENGINEERING LTD

Ref: IDAF89568

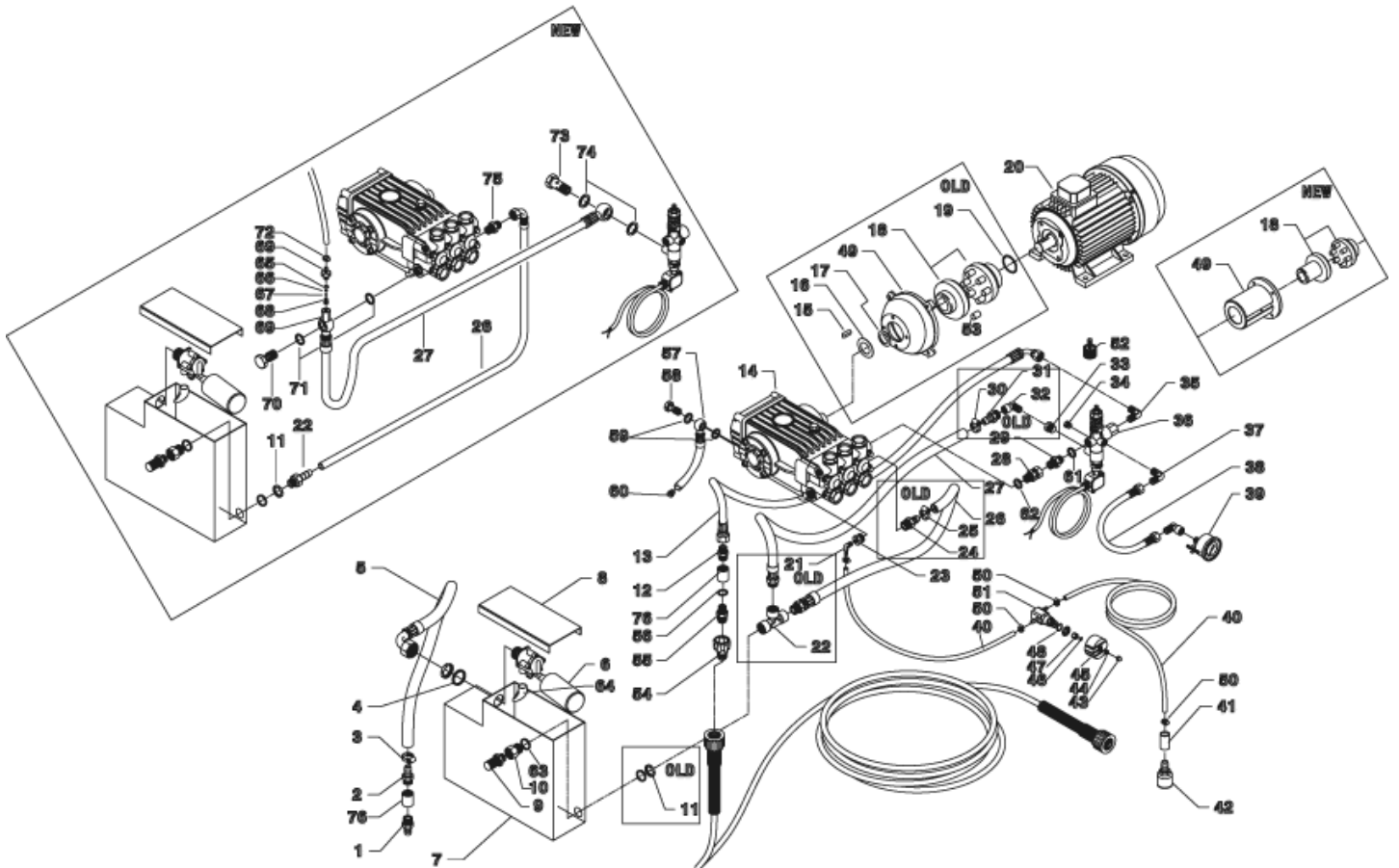
Model: IDROP MUR. ML 21.150TST T 400/50 3-05PRT



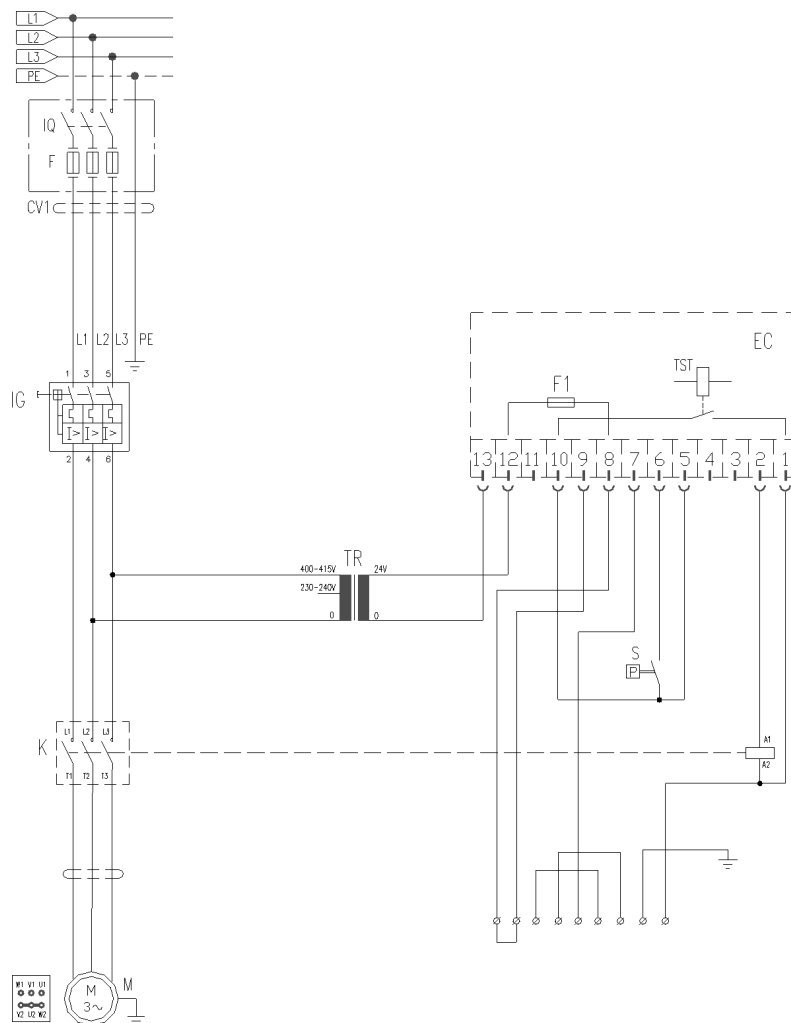
Ref.	K	Part N.	Customer Part N.	Description	Qty	Validity:		Price
						From	To	
0001		LAFN41577		ANT. PANEL MDS INX	1,00	06/2008	--	--
0004		MEVR32332		FRAME IP 55 ISK MS 25	1,00	06/2008	--	--
0005		MEVR72910		FAIR-LEAD D.9x18x21 (S518)	1,00	06/2008	--	--
0006		MEVR71752		BOX NICO	1,00	06/2008	--	--
0007		LAFN40078		PLATE N.ML BK.	1,00	06/2008	--	--
0008		GUVR71755		GASKET QUADRO EL.SK	1,00	06/2008	--	--
0008		GUVR72924		GASKET 5X5 Q.	0,83	06/2008	--	--
0009		MEVR71753		COVER NICO	1,00	06/2008	--	--
0010		LAFN73841		FRAME MR 15/150 INOX	1,00	06/2008	--	--
0011		MEVR87376		LOCKNUT PG 13	2,00	06/2008	--	--
0012		MEVR33994		CABLE FASTNER 4228 B D. 6- 18	1,00	06/2008	--	--
0013		ABGO76326		VIBRATION DAMP.CL.40X30-M10X23+M10F 60SH	4,00	06/2008	--	--
0014		LAFN40079		BOX SUPPORT N.ML INX	1,00	06/2008	--	--
0016		IPPR89429		GRIP G 4500 - P.330 -M22SW.M V	1,00	03/2007	--	--
0017		LCPR12976		EXTENSION P 70	1,00	03/2007	--	--
0018		UGLN49997		NOZZLE LECH 1/4 25075	1,00	03/2007	--	--



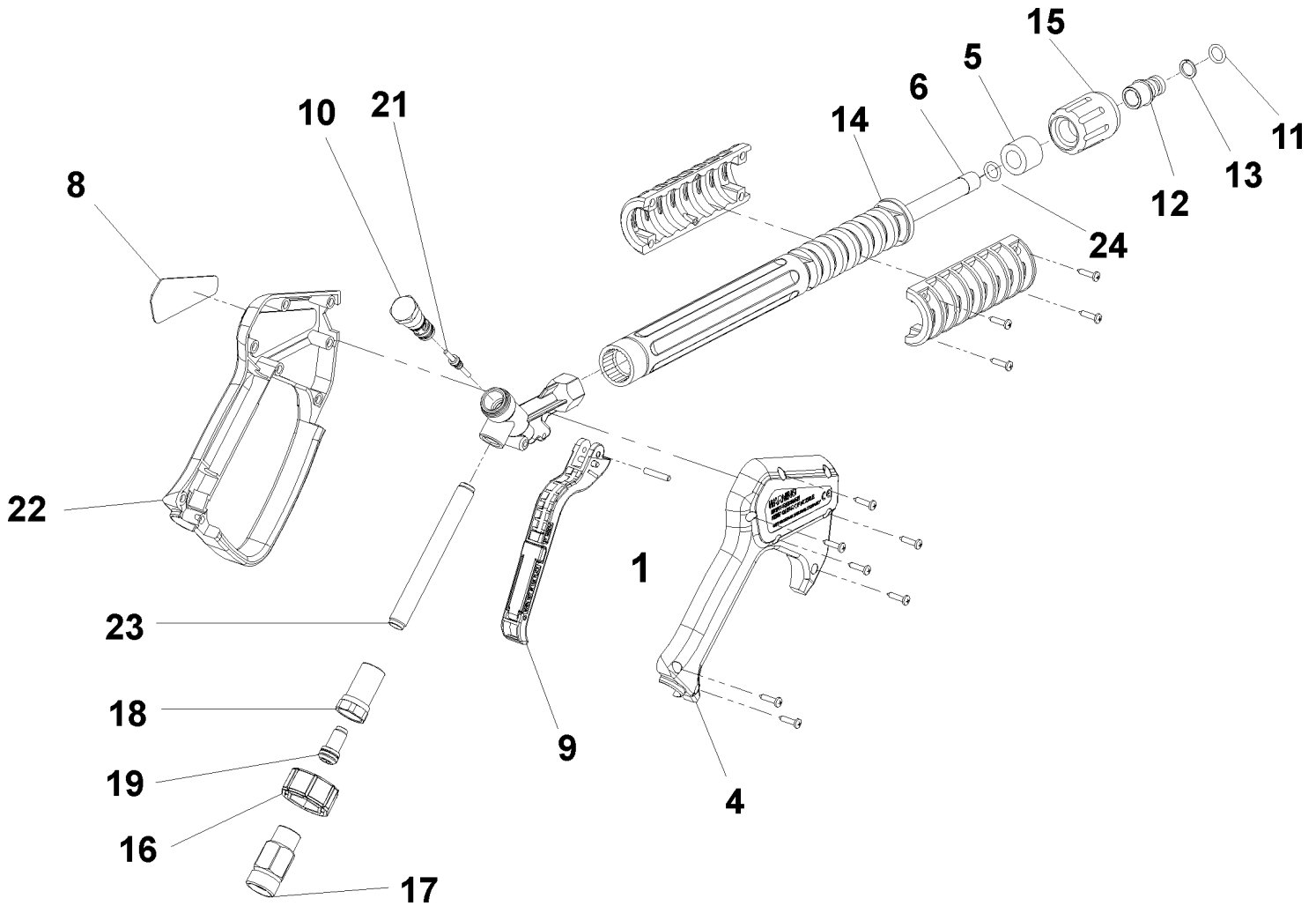
Ref.	K	Part N.	Customer Part N.	Description	Qty	Validity:		Price
						From	To	
0001		RCVR73008		HOSE FITTING 1/2 D.17 454/A	2,00	06/2008	--	--
0002		RCVR73008		HOSE FITTING 1/2 D.17 454/A	1,00	06/2008	--	--
0003		FSVR00431		CLAMP D. 16-25	1,00	06/2008	--	--
0004		RCVR49974		RING NUT 3/4" X 4 NIK	1,00	06/2008	--	--
0005		TBBP46847		L.P. HOSE L=300 3/4F 90° -15X26	1,00	06/2008	--	--
0006		RCGR39997		FLOATER MTM 3/4G M 10BAR	1,00	06/2008	--	--
0007		LAFN41582		WATER TANK MDS-MR	1,00	06/2008	--	--
0008		LAFN41581		TANK COVER MDS INX	1,00	06/2008	--	--
0009		FTAC41585		FILTER G 3/4M INX	1,00	06/2008	--	--
0010		RCDS40018		CONNECTOR G 3/4M -3/4F 1/2F C.36 OT	1,00	06/2008	--	--
0011		RCDS40575		RING NUT G3/4 OT	1,00	06/2008	--	--
0012		RCDS12121		NIPPLE 3/8 - 3/8 SV/CN	1,00	06/2008	--	--
0013		TBAP41590		HOSE-FITTING 3/ 8 L=500 SAE100 3/8F 90	1,00	06/2008	--	--
0014		PPAP42347		PUMP WS102 DX LT 21-100 BAR US	1,00	06/2008	--	--
0015		TBAP40010		H.P. HOSE R2 MT 10 3/ 8" C/2 IRV IX	1,00	03/2007	--	--
0018		FGGT88467		FLEX. COUPLING P105 HP 9.0 CPL.	1,00	06/2008	--	--
0020		MOTR40001		3PH MOTOR B3-B14 HP 7,5 23/400-50 C	1,00	06/2008	--	--
0025		FSVR00431		CLAMP D. 16-25	1,00	06/2008	--	--
0026		TBBP87602		L.P. HOSE L=350 3/4F 90°-LB.	1,00	06/2008	--	--
0027		TBBP15914		BY-PASS HOSE L=390 1/2+C.VL.-1/4OC 90°	1,00	06/2008	--	--
0028		RCVR00563		SWIVEL RACCORD 3/8 M/F	1,00	06/2008	--	--
0029		RCDS00610		NIPPLE 3/8 - 3/8 SV	1,00	06/2008	--	--
0034		RCVR00659		CAP 1/4 M	2,00	06/2008	--	--
0034		VTRS04931		WASHER COPPER D.13X19X1.5	2,00	06/2008	--	--
0035		RCVR40590		ELBOW 3/8" M A.P. OT.MTM	1,00	06/2008	--	--
0036		VVAZ87716		VALVE ST 261 - SWITCH N.A.	1,00	06/2008	--	--
0037		RCVR76217		ELBOW 1/4" M/M A.P. OT.	1,00	06/2008	--	--
0038		TBAP40004		POLYAMIDE HOSE L=260 1/4 F-F	1,00	06/2008	--	--
0039		MNMN49621		PRESSURE GAUGE 0-250 D.50 INOX	1,00	06/2008	--	--
0040		TBBP85832		L.P. HOSE D. 5- 8	2,50	--	--	--
0041		RCDS15346		WEIGHT DET.	1,00	06/2008	--	--
0042		FTDT04647		FILTER 3/8 F + PG	1,00	06/2008	--	--
0045		MPVR40584		KNOB	1,00	--	--	--
0047		MPVR74070		INSERT	1,00	--	--	--
0049		MFVR89552		FLANGE MOTOR H 112 B14-P237 9HP	1,00	06/2008	--	--
0050		FSVR72800		CLAMP D 8.3 - 8.8	2,00	--	--	--
0050		FSVR11957		CLAMP D. 9.5-12 CLIC	1,00	06/2008	--	--
0050		FSVR72800		CLAMP D 8.3 - 8.8	1,00	06/2008	--	--
0051		RCGR40583		DETERGENT TAP	1,00	--	--	--



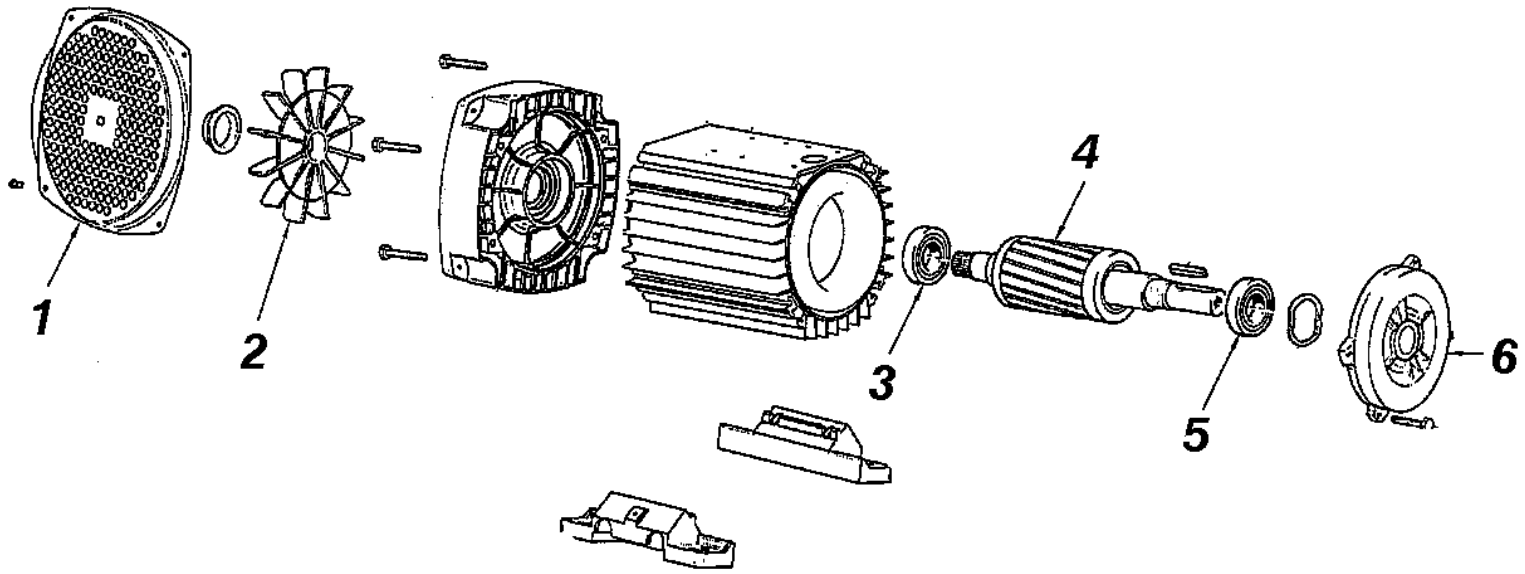
Ref.	K	Part N.	Customer Part N.	Description	Qty	Validity:		Price
						From	To	
0052		ABGO00390		VIBRATION DAMP.40X30- 2M8X25 -60+5SH	4,00	06/2008		--
0055		RCIN09348		MALE COUPLING 3/8MA L=32	1,00	06/2008		--
0056		VTRS00548		WASHER D.17,5X23X1,5 (3/8)RM	1,00	06/2008		--
0057		TBBP48183		L.P. HOSE L= 350 1/4OC.- 3/8F 0°	1,00	06/2008		--
0058		RCDS02612		SCREW G 1/4 A.P.	1,00	06/2008		--
0059		VTRS04931		WASHER COPPER D.13X19X1.5	2,00	06/2008		--
0060		VTRS00548		WASHER D.17,5X23X1,5 (3/8)RM	1,00	06/2008		--
0060		GUGO01035		O-RING D. 13.95 X 2.62 NBR 70SH	1,00	06/2008		--
0060		RCDS28310		CAP 3/8 M PLS	1,00	06/2008		--
0061		VTRS00548		WASHER D.17,5X23X1,5 (3/8)RM	1,00	06/2008		--
0063		GUGO01044		O-RING D. 26.58 X 3.53 NBR 70SH	1,00	06/2008		--
0064		RCVR72828		ELBOW	1,00	06/2008		--
0065		GUGO01036		O-RING D. 10.82 X 1.78 NBR 70SH	1,00	06/2008		--
0066		GUGO01055		O-RING D. 5.28 X 1.78 VIT 70SH	1,00	06/2008		--
0067		SFVR04274		BALL D. 7/32	1,00	06/2008		--
0068		MLML21505		SPRING D. 8 X5 X0.3	1,00	06/2008		--
0069		RCDS10546		VALVE SEAT 1/4M + PG. D.3-7.5 OTT	1,00	06/2008		--
0070		RCDS40094		SCREW G 1/2 D.8 INX	1,00	10/2011		--
0071		VTRS12491		WASHER 1/2	2,00	06/2008		--
0073		RCDS40095		SCREW G 1/4 A.P. INX	1,00	10/2011		--
0074		VTRS12821		WASHER D.14X18,7X1,25 1/4 GM	2,00	06/2008		--
0075		RCDS40026		NIPPLE 3/4 - 1/2 CB D. 9.5	1,00	06/2008		--



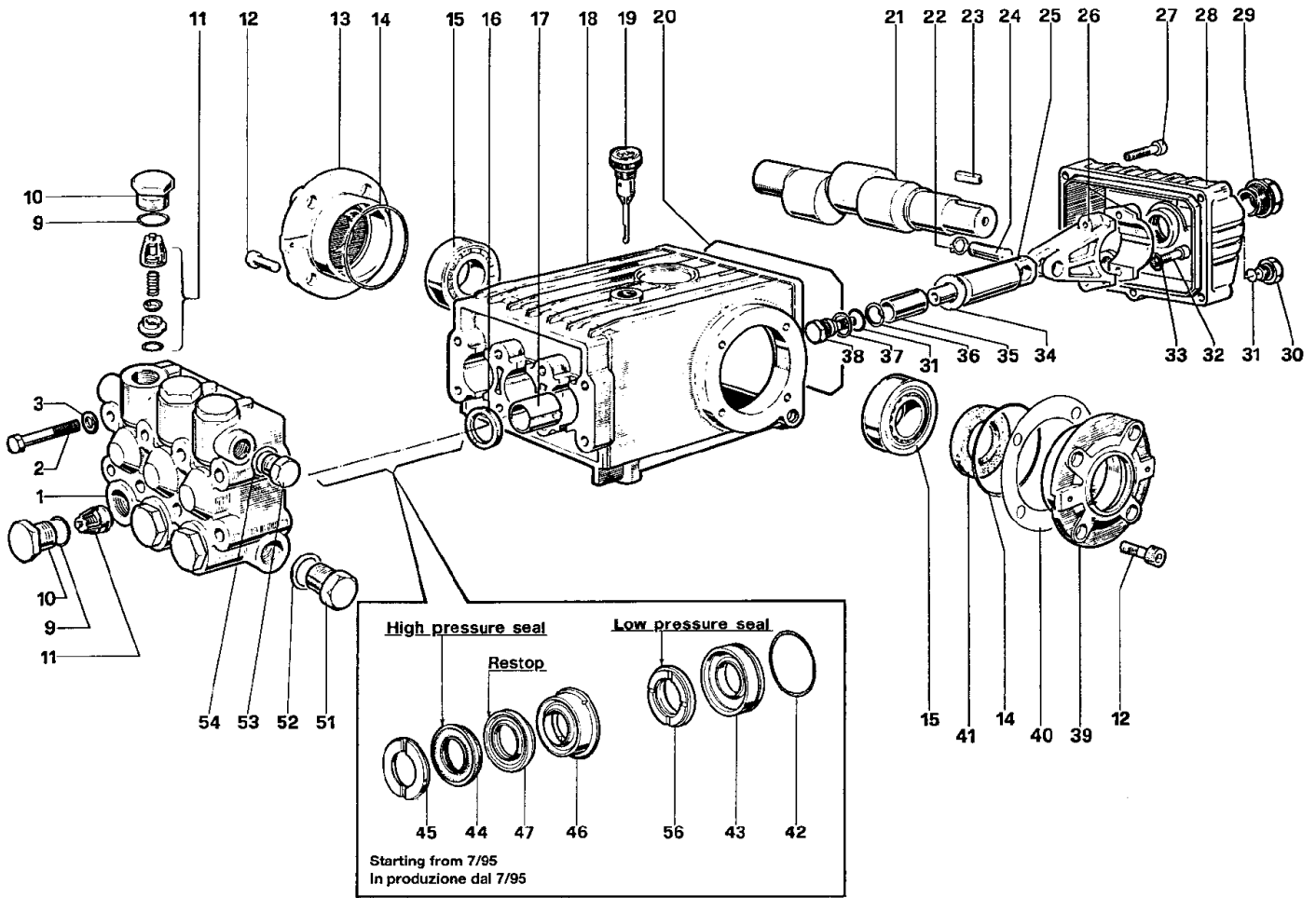
Ref.	K	Part N.	Customer Part N.	Description	Qty	Validity:		Price
						From	To	
K		METT40633		CONTACTOR CGE CL 02A 310T1 24V 5/60	1,00	06/2008		--
EC		MECE41579		PCB MDS T-ST.	1,00	06/2008		--
IG		MECI71645		SWITCH WMX MS 25 10-16 A	1,00	06/2008		--
TR		METR40003		TRANSFORMER 35VA 230-400/24 5/60HZ PM	1,00	06/2008		--
CV1		MECB17416		CABLE H07 RNF 4X2.5 L=5.500	1,00	06/2008		--



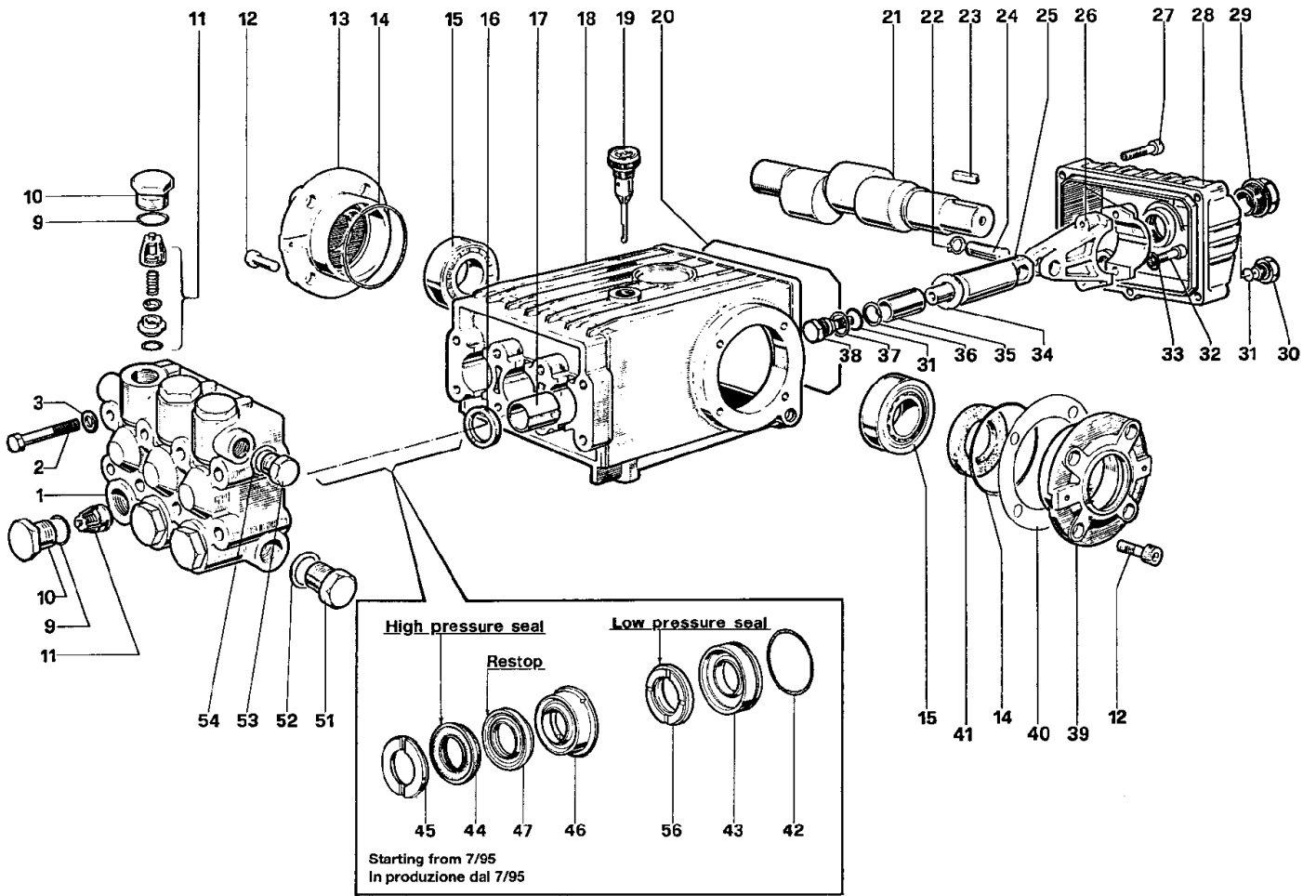
Ref. K	Part N.	Customer Part N.	Description	Qty	Validity:		Price
					From	To	
0001	VTVR46568		PLUG G 4500	1,00			--
0004	MPVR40157		COVER G 4500 2V.	1,00	05/2008		--
0004	MPVR46563		COVER G 4500	1,00		04/2008	--
0005	MPVR46572		SPACER P 330 ST	1,00			--
0006	LCPR40007		TUBE 1/4 L=352 ZC. 2V.	1,00	05/2008		--
0006	LCPR46571		TUBE 1/4 L=352 ZC.	1,00		04/2008	--
0008	MPVR46569		PLATE G 4500 RD.	1,00			--
0009	MPVR40057		TRIGGER G 4500 -SW	1,00			--
0010	PVVR40030		SMALL PISTON TM ST-2300	1,00			--
0011	GUGO10384		O-RING D. 10 X 2.2 VIT 80SH	1,00			--
0012	RCVR13030		GUDGEON G 1/4 F L=31.5	1,00			--
0013	GUVR10526		ANTI-EXTR.RING D.13.9X10.2 C.BZ	1,00			--
0014	MPVR46570		PROTECTION P 330 ST	1,00			--
0015	PVVR13445		CONNECTION M 22X1.5 L=45	1,00			--
0016	MPVR40058		RING NUT G4500 SW.	1,00			--
0017	RCIN40001		JOINT SWIV 4500 3/8"F	1,00		04/2008	--
0017	RCIN40005		JOINT SWIV 4500 3/8"F 2V.	1,00	05/2008		--
0018	RCIN31641		CONNECTOR SWIV 1500 F	1,00			--
0019	KTRI31645		KIT P 26- 14	1,00			--
0021	PVVR40031		ROD ST-2300	1,00			--
0022	MPVR40156		SHELL G 4500 2V.	1,00	05/2008		--
0022	MPVR46562		SHELL G 4500	1,00		04/2008	--
0023	PVVR40023		TUBE G 1/4" M/M P/SW.	1,00			--
0024	GUGO27021		O-RING D. 11 X 2.5 EPD 70SH	1,00	05/2008		--



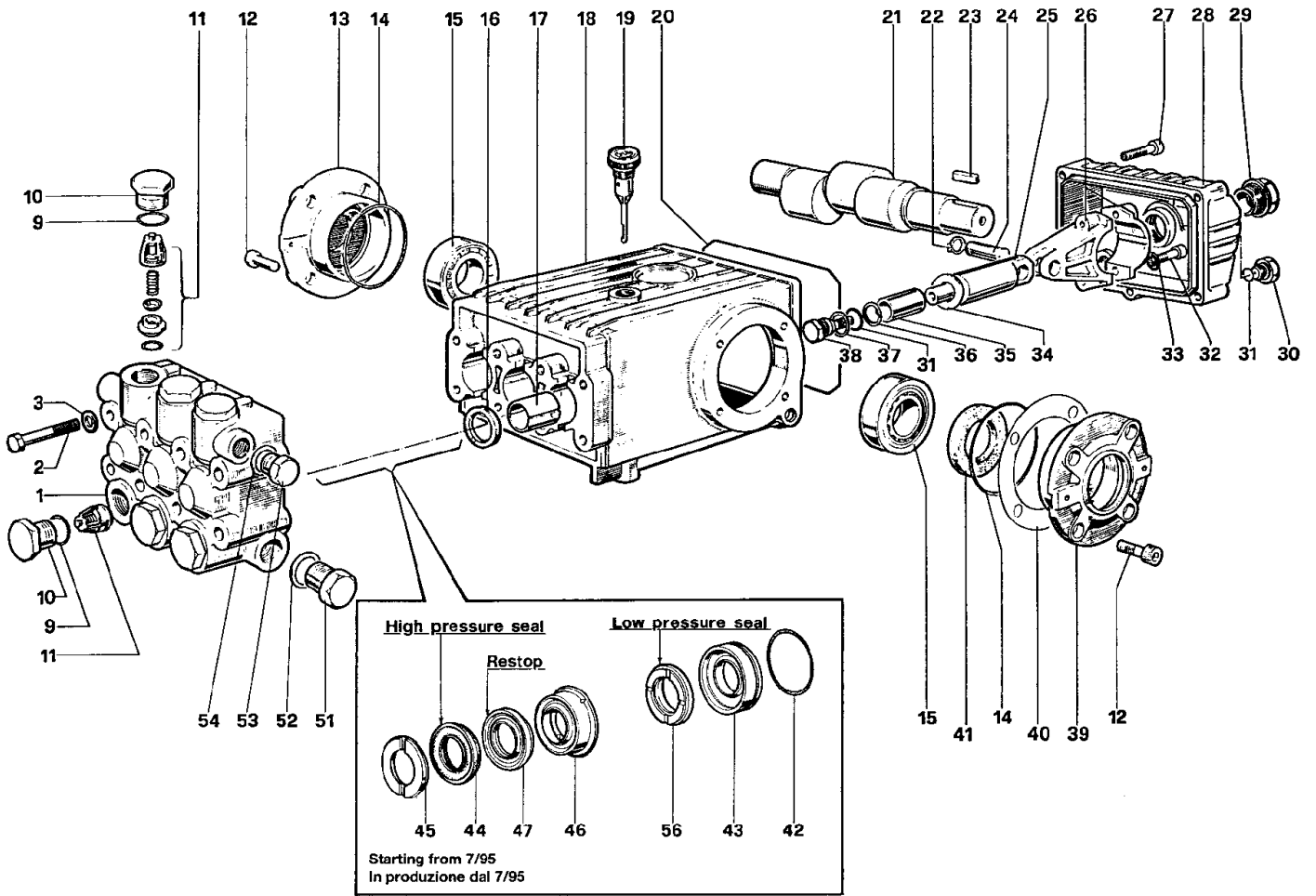
Ref. K	Part N.	Customer Part N.	Description	Qty	Validity:		Price
					From	To	
0001	LAFN40007		PROTECTION ED H.112 EST. LM.BK	1,00			--
0002	VEVR48370		MOTOR FAN H 112 EST. ELD	1,00			--
0003	CUVR40002		BALL BEARING 6306 2Z	1,00			--
0004	MORT40006		EL.MOT. ROTOR 7.5HP T 4P H112 B14 ES RC	1,00			--
0005	CUVR40002		BALL BEARING 6306 2Z	1,00			--
0006	MFVR40000		FLANGE MOTOR H 112 B14 5-7.5HP EST ED	1,00			--



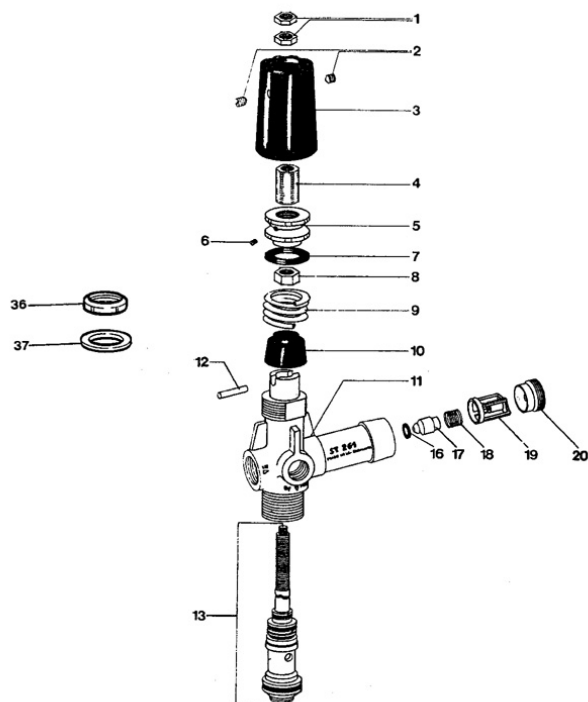
Ref.	K	Part N.	Customer Part N.	Description	Qty	Validity:		Price
						From	To	
0001		MFVR01097		HEAD W 151	1,00			--
0002		VTVT01111		SCREW TE M 8X70 UNI 5737 A.10.9	8,00			--
0003		VTRS01072		WASHER D. 8 TC	8,00			--
0009	S	GUGO01033		O-RING D. 20.24 X 2.62 NBR 90SH	6,00			--
0010	S	RCDS01087		CAP M24X2X16 OTT	6,00			--
0011	S	VVAM01104		VALVE UNIT W 70-151	6,00			--
0012		VTVT01118		SCREW TCEI M 8X16 ZC. UNI 5931	8,00			--
0013		MFVR03576		CRANKASE COVER W151	1,00			--
0014		GUGO01041		O-RING D. 67.95 X 2.62 NBR 70SH	2,00			--
0015		CUVR09205		ROLLER BEARING 32206 A	2,00			--
0016	S	GUGO01000		OIL SEAL 22X 32X 5 NBR70	3,00			--
0017		PVVR01011		BUSHING W 151	3,00			--
0018		MFVR01013		PUMP CRANKCASE W 151	1,00			--
0019		PVVR01092		OIL DIPSTICK W 151	1,00			--
0020		GUGO34590		O-RING D. 133.02 X 2.62 NBR 70SH	1,00			--
0021		ALMO41529		SHAFT TS 1521 USA	1,00			--
0022		VTAE14016		CIRCLIP D. 12 UNI 7435	6,00			--
0023		VTVR41531		KEY 8X 7X35 UNI 6604A	1,00			--
0024		PVVR01085		GUDGEON D.13X35 W151	3,00			--
0025		PVVR01029		PISTON GUIDE W 151	3,00			--
0026		BLVR01009		CONNECTING ROD W 151	3,00			--
0027		VTVT01116		SCREW TCEI 6X30 UNI5931	5,00			--
0028		MFVR03582		CRANKASE COVER W 151 POS	1,00			--
0029		PVVR01083		OIL INDICATOR G 3/4 W70-151	1,00			--
0030		RCDS01088		CAP 1/4X 9 M WW90	1,00			--
0031	S	GUGO01036		O-RING D. 10.82 X 1.78 NBR 70SH	4,00			--
0032		VTVT01120		SCREW TCEI 8X35 UNI5931	6,00			--
0033		VTRS14242		WASHER D. 8.4X13X0.8 UNI7064 SCH	6,00			--
0034	S	VTRS01753		WASHER D.14X28 X0,5	3,00			--
0035		PIVR01066		PISTON D.20X50 W 151	3,00			--
0036	S	GUVR00994		ANTI-EXTR.RING W151	3,00			--
0037	S	VTRS01076		WASHER D.14X18,5X0,5	3,00			--
0038	S	PVVR01107		PISTON BOLT IP W151	3,00			--
0039		MFVR03583		CRANKASE COVER W151	1,00			--
0040		PVVR01016		THICKNESS 0,1 W 151	2,00			--
0041	S	GUGO01003		OIL SEAL 30X 55X 7 NBR70	1,00			--
0042	S	GUGO01042		O-RING D. 34.6 X 1.78 NBR 70SH	3,00			--
0043	S	PVVR00977		PACKING RETAIN.W151	3,00			--
0044	S	GUVR00981		PACKING W151	3,00			--



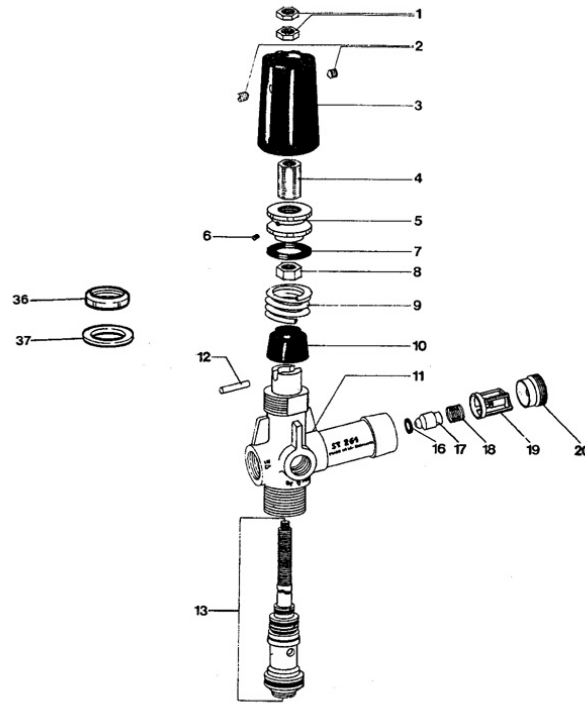
Ref.	K	Part N.	Customer Part N.	Description	Qty	Validity:		Price
						From	To	
0045	S	PVVR00985		HEAD RING W151	3,00			--
0046	S	PVVR34589		INTERMED. RING W 151 D. 20	3,00			--
0047	S	GUVR34587		PACKING D. 20 RESTOP	3,00			--
0051		RCDS01091		CAP 1/2X10 M	1,00			--
0052		VTRS01075		WASHER D.21,5X27 ALL	1,00			--
0053		RCDS01090		CAP 3/8X13 M WW90	1,00			--
0054		VTRS01074		WASHER D.17,05X22,3 X1,5	1,00			--
0056	S	GUVR34585		PACKING W 151 L.P.	3,00			--



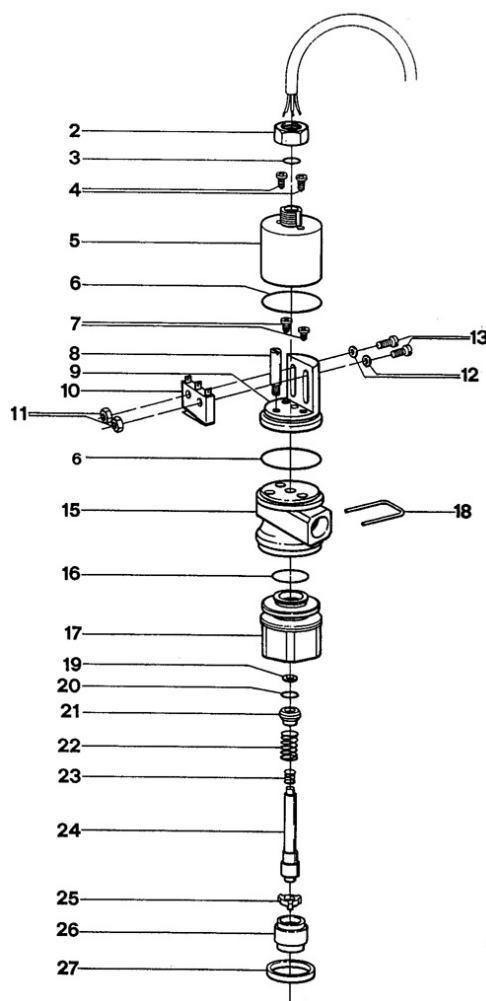
Ref. Part N.	Cust. Part N.	Description	Reference	Price
KTRI14900	KIT P	15- 3	0041	--
KTRI14901	KIT P	10	0042 0043	--
KTRI17793	KIT P	6	0031 0034 0036 0037 0038	--
KTRI17795	KIT P	4	0009 0010	--
KTRI17859	KIT P	1	0011	--
KTRI17860	KIT P	15- 2	0016	--
KTRI18574	KIT P	7	0045	--
KTRI18579	KIT P	28	0042 0043 0044 0045 0046 0047 0056	--



Ref.	K	Part N.	Customer Part N.	Description	Qty	Validity:		Price
						From	To	
0001		VTDD14926		NUT M6X1 UNI5589	2,00			--
0002		VTVT08589		SCREW EI-ST 5X 6	2,00			--
0003		MPVR09436		BLACK KNOB ST 260	1,00			--
0004		PVVR14933		SCREW	1,00			--
0005		VTVT14927		SCREW	1,00			--
0006		VTVT14925		SCREW EI-ST 5X 6 UNI5929	2,00			--
0007		GUVR14928		RING	1,00			--
0008		VTDD14930		NUT M8X1 UNI5588	1,00			--
0009		MLML14929		SPRING D.18X4X28	1,00			--
0010		PVVR16955		SPRING SEAT ST	1,00			--
0011		PVVR16956		VALVE BODY ST 261	1,00			--
0012		PVVR16957		PIN D. 3X13 ST	1,00			--
0013		KTRI16958		KIT P 14- 20	1,00			--
0016	S	GUGO10373		O-RING D. 5 X 2.5 VIT 80SH	1,00			--
0017	S	PVVR08615		VALVE PART	1,00			--
0018	S	MLML08616		SPRING	1,00			--
0019	S	PVVR08617		VALVE CAGE	1,00			--
0020		PVVR08618		NUT	1,00			--
0036		PVVR10580		NUT	1,00			--
0037		VTRS17544		WASHER D.30X41.5X2 ST	1,00			--



Ref. Part N.	Cust. Part N.	Description	Reference	Price
KTRI14653		KIT P 14- 4	0016 0017 0018 0019	--



Ref.	K	Part N.	Customer Part N.	Description	Qty	Validity:		Price
						From	To	
0002		VTDD08624		NUT ST 260	1,00			--
0003		GUGO10373		O-RING D. 5 X 2.5 VIT 80SH	1,00			--
0004		VTVT08630		SCREW TCB 2,9 X 9,5	2,00			--
0005		PVVR08628		COVERING ST 260 S	1,00			--
0006		GUGO08629		O-RING D. 24 X 1.5 NBR 70SH	2,00			--
0007		VTVT08630		SCREW TCB 2,9 X 9,5	2,00			--
0008		PVVR08631		NUT	1,00			--
0009		PVVR08632		COVERING ST 260 M	1,00			--
0010		MECI08633		MICRO-SWITCH ST 261	1,00			--
0011		VTDD08634		NUT M2	1,00			--
0012		VTRS13332		WASHER OTT	2,00			--
0013		VTVT08643		SCREW	2,00			--
0015		PVVR17568		BODY SW 261	1,00			--
0016		GUGO08609		O-RING D. 15 X 1.5 EPDM70SH	1,00			--
0017		PVVR17569		BODY SW 261	1,00			--
0018		VTVR17570		PLUG ST	1,00			--
0019		GUVR13333		ANTI-EXTR.RING	1,00			--
0020		GUGO07014		O-RING D. 3.3 X 2.4 EPDM80SH	1,00			--
0021		PVVR13334		SPACER OTT	1,00			--
0022		MLML13335		SPRING	1,00			--
0023		MLML08639		SPRING	1,00			--
0024		PVVR17571		ROD ST 261	1,00			--
0025		PVVR08641		PIN GUIDE	1,00			--
0026		PVVR17572		SPACER ST	1,00			--
0027		VTRS17573		WASHER ST	1,00			--