



IPC Integrated Professional Cleaning

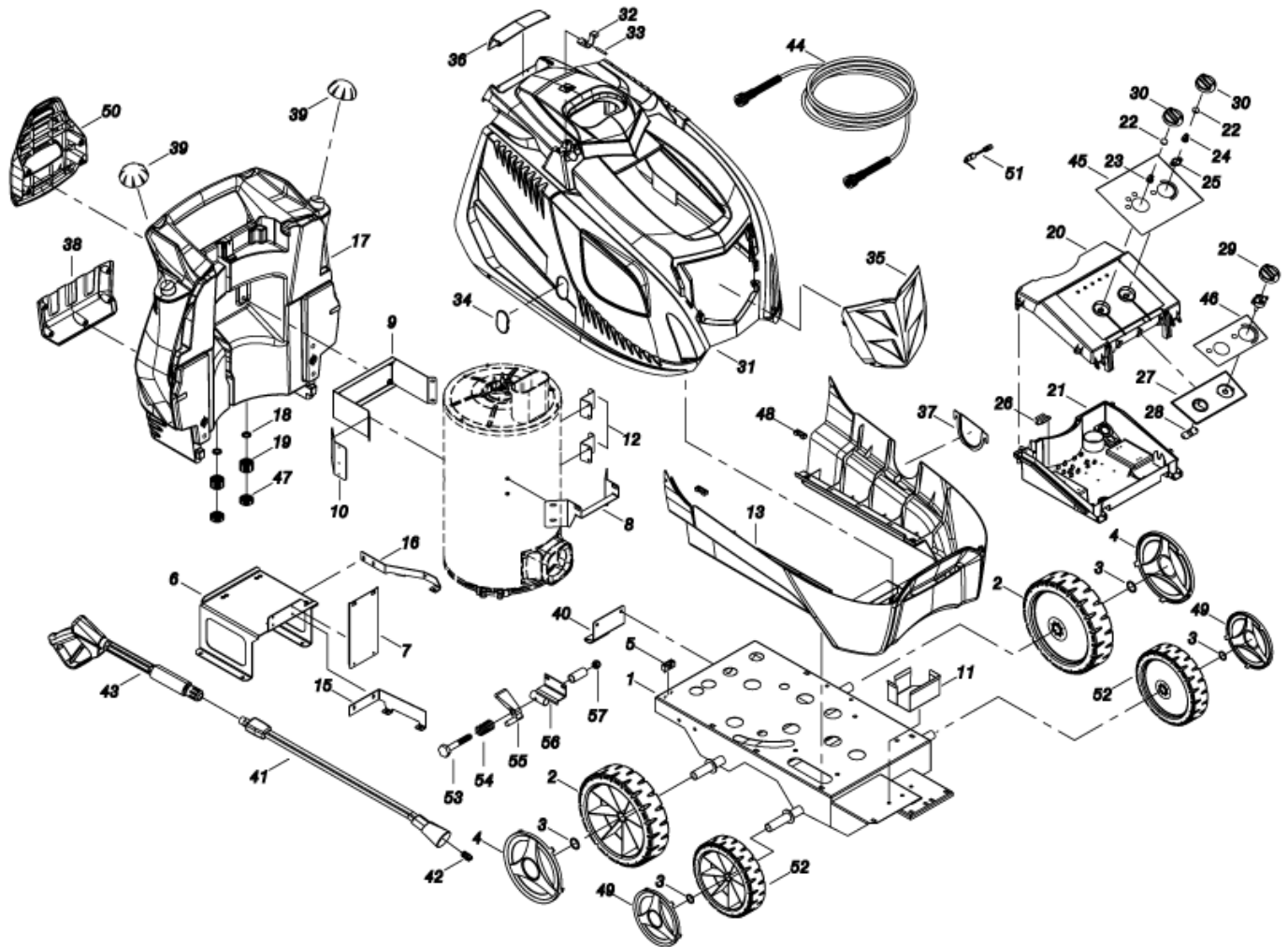
IPC Portotecnica

Spare Parts List

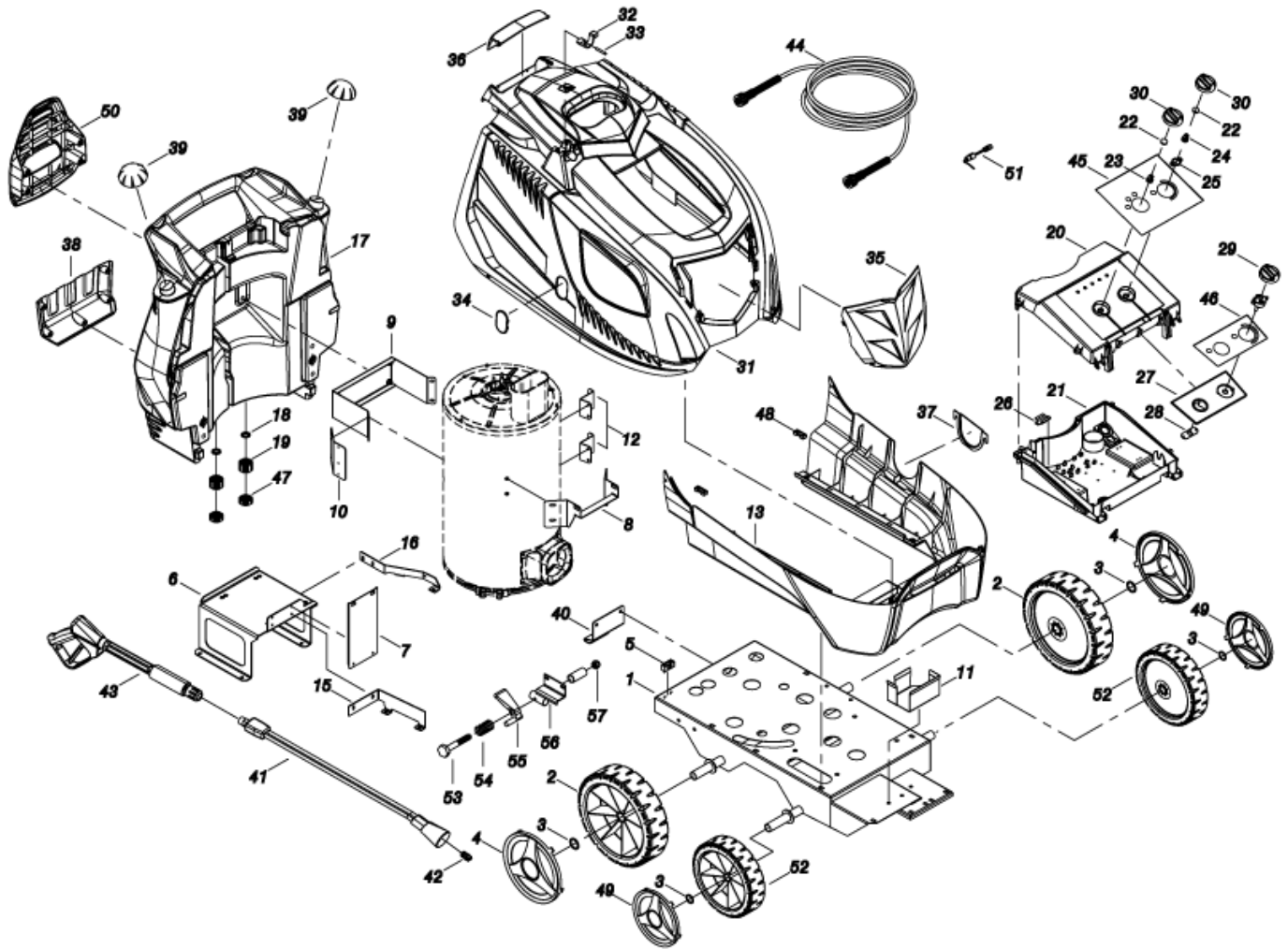
IPF ENGINEERING LTD

Ref: IDAC40927

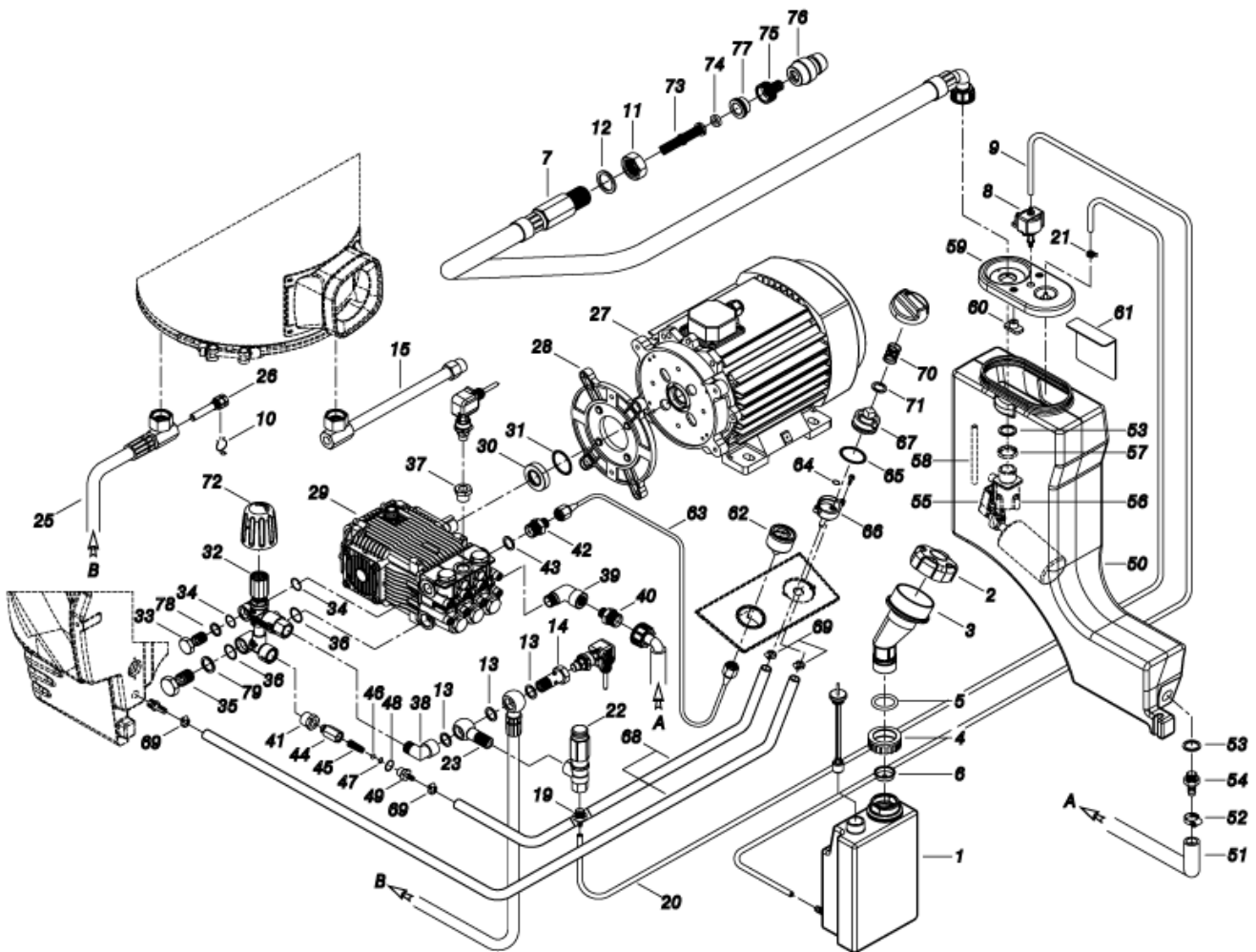
Model: IDROP SYNCRON-H4 D1721P T 400/50 3-01PRT



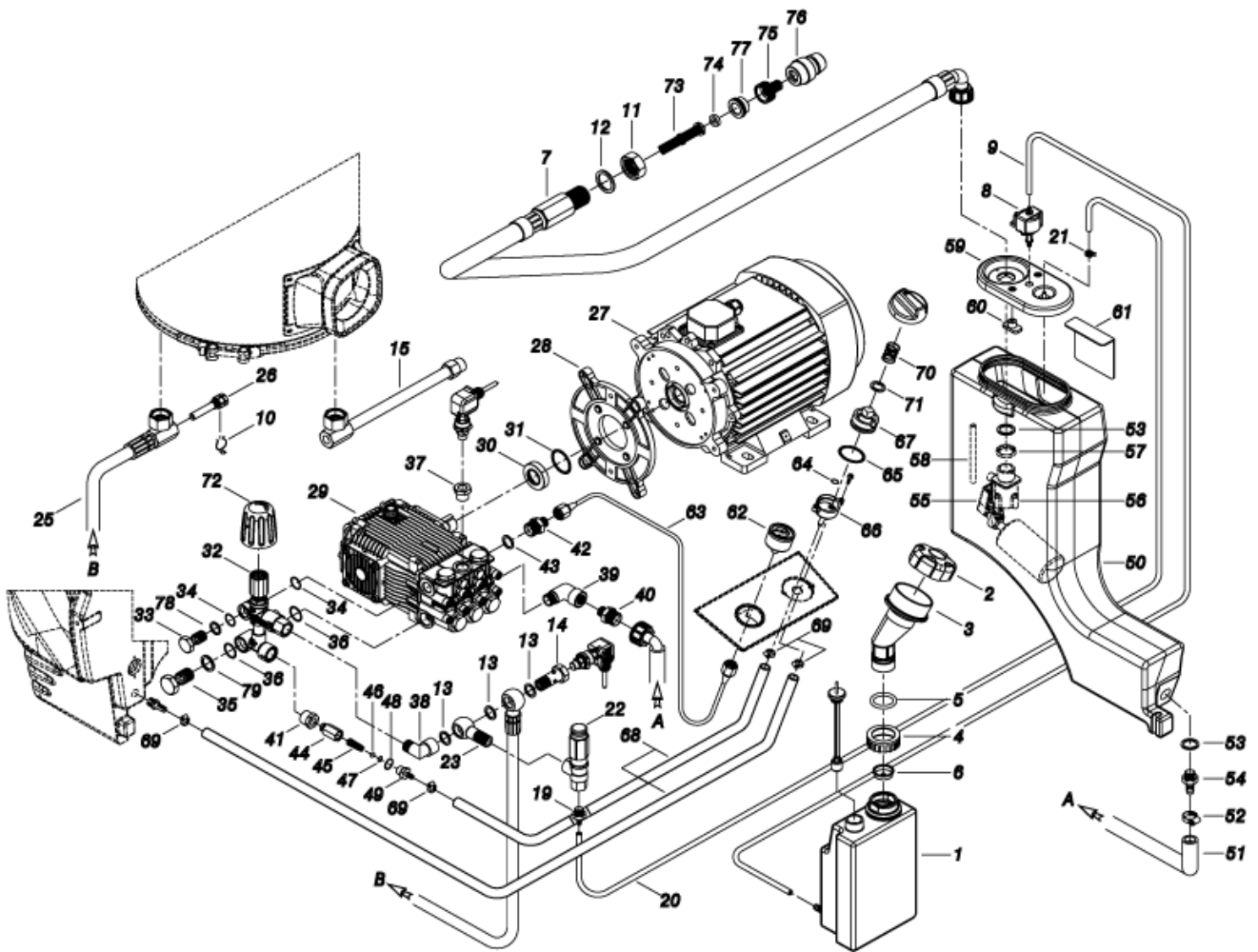
| Ref. | K | Part N. | Customer Part N. | Description | Qty | Validity: | | Price |
|------|---|-----------|------------------|---------------------------------------|------|-----------|----|-------|
| | | | | | | From | To | |
| 0001 | | LAFN40756 | | CHASSIS PW-H100/4W BK. | 1,00 | | | -- |
| 0002 | | RTRT45383 | | WHEEL D.305-D.25 RT-IPC | 2,00 | | | -- |
| 0003 | | VTRS09813 | | WASHER D.25 | 4,00 | | | -- |
| 0004 | | MPVR40536 | | RED WHEEL COVERD. 305 RT/H35 | 2,00 | | | -- |
| 0005 | | MEVR20906 | | CABLE FASTNER KSM | 1,00 | | | -- |
| 0006 | | LAFN40752 | | MOTOR SUPPORT PW-H100 ZC. | 1,00 | | | -- |
| 0007 | | LAFN40742 | | SUPPORT PW-H100 AN.ZC. | 1,00 | | | -- |
| 0008 | | LAFN40743 | | SUPPORT PW-H100 PS.ZC. | 1,00 | | | -- |
| 0009 | | LAFN40571 | | BRACKET PW-H35 PM ZC | 1,00 | | | -- |
| 0010 | | LAFN40745 | | SUPPORT BRACKETPW-H100 ZC. | 1,00 | | | -- |
| 0011 | | LAFN40746 | | SUPPORT BRACKETPW-H100 ZC. | 1,00 | | | -- |
| 0012 | | LAFN40748 | | B.TANK BRACKET PW-H100 ZC. | 2,00 | | | -- |
| 0013 | | MPVR40774 | | BLACK COVER PW-H100 INF.PP | 1,00 | | | -- |
| 0015 | | LAFN40751 | | SUPPORT BRACKETPW-H100 LAT. | 1,00 | | | -- |
| 0016 | | LAFN40749 | | SUPPORT BRACKETPW-H100 ANT. | 1,00 | | | -- |
| 0017 | | MPVR40775 | | TANK PW-H100 PEHD BK. | 1,00 | | | -- |
| 0018 | | GUGO11489 | | GASKET D.22X1,5 | 2,00 | | | -- |
| 0019 | | PVVR11806 | | DISCHARGE CAP FLL | 2,00 | | | -- |
| 0020 | | MPVR40540 | | BOX COVER PW-H35 ABS BK. | 1,00 | | | -- |
| 0021 | | MPVR40818 | | CONTROL BOX PW-H50/7.5 C/F.TH.ABS BK. | 1,00 | | | -- |
| 0022 | | GUGO25527 | | O-RING D. 14 X 3 NBR 70SH | 1,00 | 01/2016 | | -- |
| 0023 | | MPVR23482 | | TAIL PIECE TEC. TUV | 1,00 | | | -- |
| 0024 | | MPVR23484 | | TAIL PIECE THERM.KSM TUV | 1,00 | 01/2016 | | -- |
| 0025 | | MPVR41903 | | THICKNESS TERM.IM.PA66 | 1,00 | 01/2016 | | -- |
| 0026 | | LAFN46067 | | SUPPORT L.60 P176 | 2,00 | | | -- |
| 0027 | | MPVR40542 | | ANT. PANEL PW-H35 ABS BK. | 1,00 | | | -- |
| 0028 | | LAFN40561 | | JUNCTION BOARD PW-H35 ZC. | 1,00 | | | -- |
| 0029 | | MPVR13685 | | BLACK KNOB PRT-AC | 1,00 | | | -- |
| 0030 | | MPVR49057 | | BLACK KNOB P176-M.RACE PA6 | 2,00 | | | -- |
| 0031 | | MPVR40762 | | RED COVER PW-H100 SUP.PP | 1,00 | | | -- |
| 0032 | | MPVR40485 | | RUBBER PW-H35 15-20BK. | 1,00 | | | -- |
| 0033 | | MPVR40534 | | PIN PW-H35 PP BK. | 2,00 | | | -- |
| 0034 | | MPVR40539 | | DOOR PW-H35 PPL NT. | 1,00 | | | -- |
| 0035 | | MPVR40764 | | DOOR PW-H100 PPL BK. | 1,00 | | | -- |
| 0036 | | MPVR40765 | | DOOR PW-H100 PT.PPL BK. | 1,00 | | | -- |
| 0037 | | MPVR40532 | | DOOR PW-H35 PPL BK.INF. | 1,00 | | | -- |
| 0038 | | MPVR40533 | | TOOL HOLDER PW-H35 PP BK. | 1,00 | | | -- |
| 0039 | | MPVR40187 | | TANK CAP P215 PEHD C/F. | 2,00 | | | -- |
| 0040 | | LAFN40609 | | FOOT PW-H35/4W | 1,00 | | | -- |



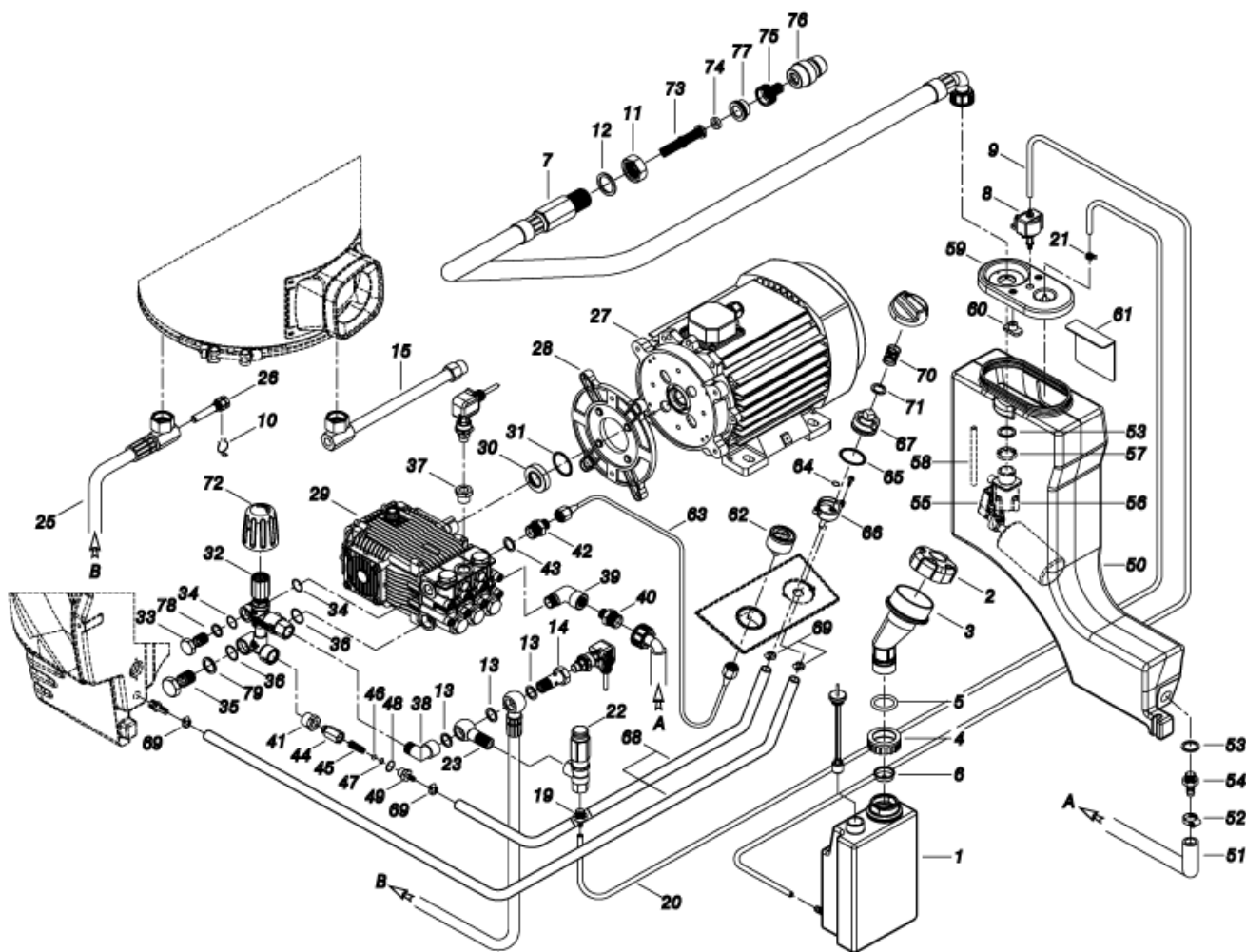
| Ref. | K | Part N. | Customer Part N. | Description | Qty | Validity: | | Price |
|------|---|-----------|------------------|-------------------------------------|------|-----------|----|-------|
| | | | | | | From | To | |
| 0041 | | LCPR40087 | | EXTENSION P 70 -P20.IX700 M22 M | 1,00 | | | -- |
| 0042 | | UGLN49997 | | NOZZLE LECH 1/4 25075 | 1,00 | | | -- |
| 0043 | | IPPR40020 | | GRIP G 6000+P.330 +M22 SW.M V | 1,00 | | | -- |
| 0044 | | TBAP40009 | | H.P. HOSE R2 MT 10 5/16" C/2 IRV IX | 1,00 | | | -- |
| 0045 | | ETET40726 | | LABEL PW-H35/7.5 RUNNER ELETT. | 1,00 | | | -- |
| 0046 | | ETET40769 | | LABEL PW-H100.SYNCR.IDR. | 1,00 | | | -- |
| 0047 | | MPVR20187 | | RING NUT M 39 X 3 | 2,00 | | | -- |
| 0048 | | MPVR28554 | | CABLE FASTNER ELT | 2,00 | | | -- |
| 0049 | | MPVR40538 | | RED WHEEL COVERD. 260 RT/H35 | 2,00 | | | -- |
| 0050 | | MPVR40701 | | HOSE SUPPORT PW-H35 PP BK. | 1,00 | | | -- |
| 0051 | | MEVR27264 | | FUSE-HOLDER 031-1081 | 1,00 | | | -- |
| 0052 | | RTRT40005 | | WHEEL D.260-D.25 RT-HI | 2,00 | | | -- |
| 0053 | | VTVT14480 | | SCREW TE M 8X80 ZINC. UNI | 1,00 | | | -- |
| 0054 | | MLML11917 | | SPRING D. 14.5 X24 X2.2 | 1,00 | | | -- |
| 0055 | | MPVR28178 | | TRIGGER MTH PL. | 1,00 | | | -- |
| 0056 | | LAFN40560 | | BRACKET PW-H35/4W BK. | 1,00 | | | -- |
| 0057 | | VTDD00492 | | NUT M 8 ZINC | 1,00 | | | -- |



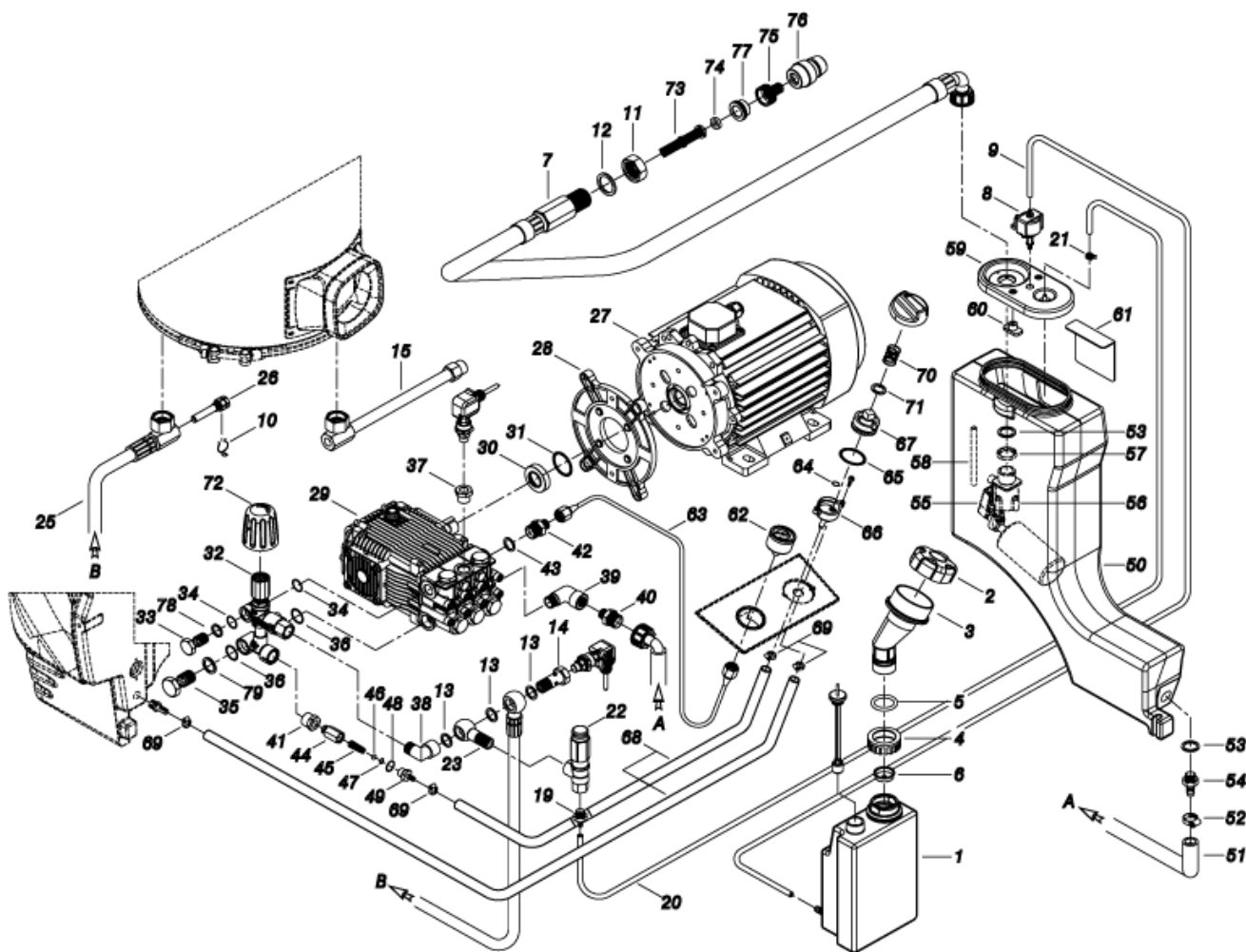
| Ref. | K | Part N. | Customer Part N. | Description | Qty | Validity: | | Price |
|------|---|-----------|------------------|---------------------------------------|------|-----------|----|-------|
| | | | | | | From | To | |
| 0001 | | MPVR40698 | | TANK KSM C/PE. | 1,00 | | | -- |
| 0002 | | MPVR40187 | | TANK CAP P215 PEHD C/F. | 1,00 | | | -- |
| 0003 | | MPVR40700 | | MANIFOLD A.CLCL PW-H35 PP NT. | 1,00 | | | -- |
| 0004 | | MPVR40739 | | TANK CAP KSM D.36.2 | 1,00 | | | -- |
| 0005 | | GUGO89386 | | O-RING D. 30 X 5 NBR 70SH | 1,00 | | | -- |
| 0006 | | MPVR18582 | | CAP D.22 | 1,00 | | | -- |
| 0007 | | TBBP40090 | | L.P. HOSE L=1870 3/4F90°-1/2M 0° | 1,00 | | | -- |
| 0008 | | MEPD45940 | | DESCALING PUMP NME 1 24V 50/60HZ | 1,00 | | | -- |
| 0009 | | TBBP00058 | | L.P. HOSE D. 4- 7 | 1,10 | | | -- |
| 0010 | | MLML02623 | | SPRING IMT | 1,00 | | | -- |
| 0011 | | RCDS49875 | | RING NUT 1/2"X 6 CH.27 OT. | 1,00 | | | -- |
| 0012 | | VTRS00549 | | WASHER D.21,5X27X1,5 (1/2) RM | 1,00 | | | -- |
| 0013 | | VTRS00548 | | WASHER D.17,5X23X1,5 (3/8)RM | 2,00 | | | -- |
| 0013 | | VTRS00548 | | WASHER D.17,5X23X1,5 (3/8)RM | 1,00 | | | -- |
| 0014 | | RCDS88103 | | SCREW G 3/8 - 1/8F L=53 | 1,00 | | | -- |
| 0015 | S | RCDS21118 | | CONNECTOR KSM | 1,00 | | | -- |
| 0015 | S | RCDS21119 | | NUT KSM | 1,00 | | | -- |
| 0015 | S | RCDS40045 | | CONNECTOR G 3/8F -1/4 +M14X1 C.27 | 1,00 | | | -- |
| 0015 | S | RCDS40041 | | CONNECTOR L=216 2X3/8M CN. ZC. | 1,00 | | | -- |
| 0015 | S | RCIN03753 | | MALE COUPLING M22-3/8 M-FA | 1,00 | | | -- |
| 0019 | | RCDS03514 | | HOSE FITTING 3/8 M D. 5- 7 | 1,00 | | | -- |
| 0020 | | TBBP93804 | | L.P. HOSE D. 6- 9 | 1,40 | | | -- |
| 0021 | | FSVR40021 | | CLAMP D 7.8 - 8.3 | 1,00 | | | -- |
| 0022 | | VVSC40005 | | VALVE MR 401 G3/8 | 1,00 | | | -- |
| 0023 | | RCDS15150 | | CONNECTOR O. 3/8 - G3/8M L=28.5 | 1,00 | | | -- |
| 0025 | | TBAP40176 | | HOSE-FITTING 3/8 R2 L=755 3/8OC.-PM26 | 1,00 | | | -- |
| 0026 | | RCDS00593 | | SUMP IM 0-120 L=50 | 1,00 | | | -- |
| 0027 | | MOTR40039 | | 3PH MOTOR 176 HP7.5 23-400/50C RR/K | 1,00 | | | -- |
| 0028 | | MFVR21735 | | COUNTERFLANGE MEC 112 2.V | 1,00 | | | -- |
| 0029 | | PPAP40063 | | PUMP RK 20.19 DX NC 21LT. | 1,00 | | | -- |
| 0030 | | RCDS40112 | | BUSHING AR RK.C50 OT | 1,00 | | | -- |
| 0031 | | GUGO40021 | | O-RING D. 39.34 X 2.62 VIT 70SH | 1,00 | | | -- |
| 0032 | | VVAZ40062 | | VALVE VRF-2 AR-R AF S/I. RG | 1,00 | | | -- |
| 0033 | | RCDS40172 | | SCREW 3/8 VRF-2 OT 4F. | 1,00 | | | -- |
| 0034 | | GUGO03510 | | O-RING D. 12.37 X 2.62 NBR 70SH | 2,00 | | | -- |
| 0035 | | RCDS40171 | | SCREW G 1/2 VRF-2 OT. 2F. | 1,00 | | | -- |
| 0036 | | GUGO01048 | | O-RING D. 15.88 X 2.62 NBR 70SH | 2,00 | | | -- |
| 0037 | | PVVR40208 | | CAP AR RK C/F. 1/4F+OR | 1,00 | | | -- |
| 0038 | | RCVR40158 | | ELBOW 3/8"-3/8" M/F A.P.Cn OTT. | 1,00 | | | -- |



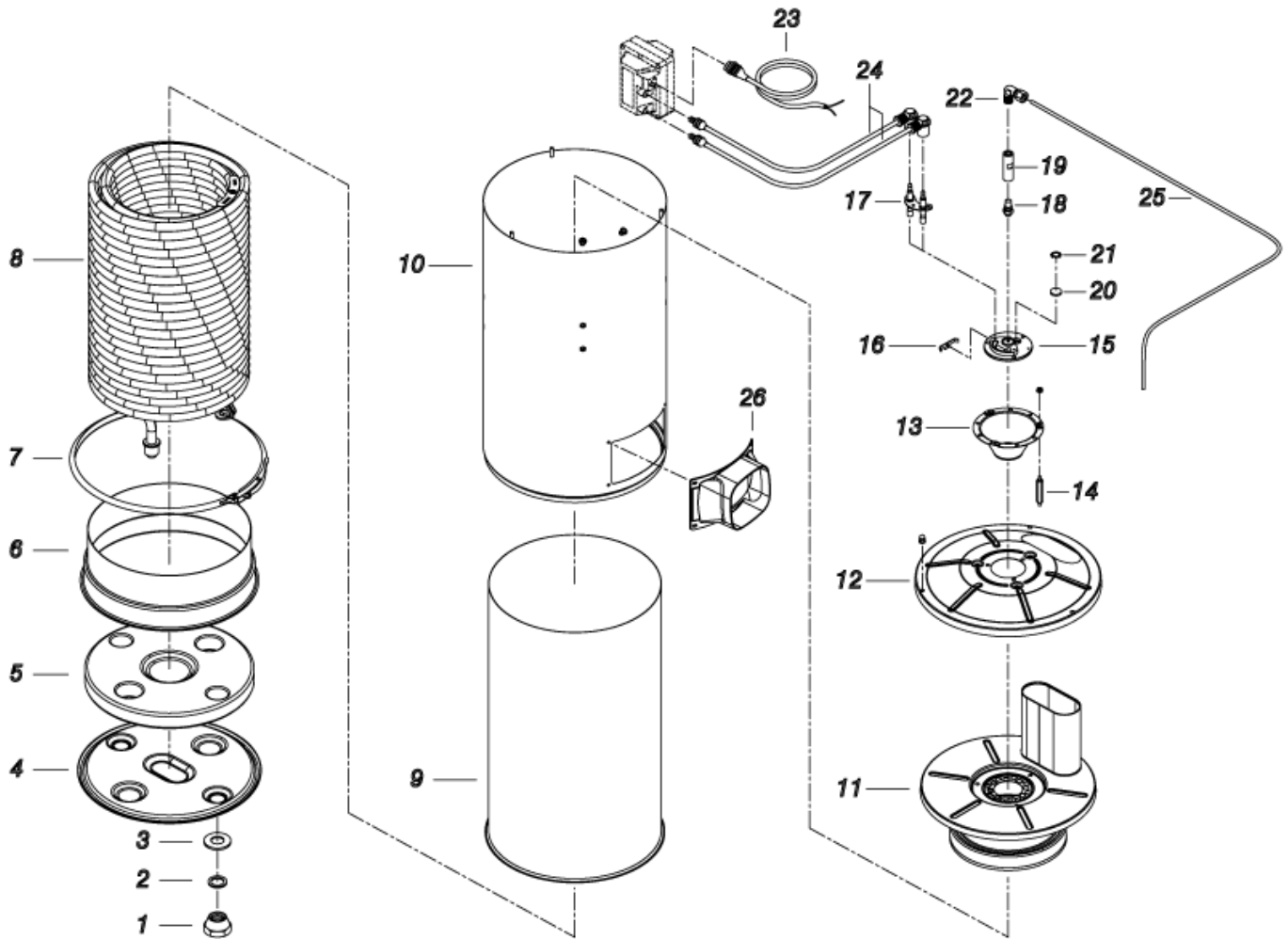
| Ref. | K | Part N. | Customer Part N. | Description | Qty | Validity: | | Price |
|------|---|-----------|------------------|--|------|-----------|----|-------|
| | | | | | | From | To | |
| 0039 | | RCVR00575 | | ELBOW 1/2" M/F A10 | 1,00 | | | -- |
| 0040 | | RCDS88747 | | NIPPLE 3/4 - 1/2 CB D. 9.0 | 1,00 | | | -- |
| 0041 | | RCVR02606 | | REDUCTION 1/2-1/4 M/F | 1,00 | | | -- |
| 0042 | | RCDS00608 | | NIPPLE 3/8 - 1/4 SV | 1,00 | | | -- |
| 0043 | | VTRS00548 | | WASHER D.17,5X23X1,5 (3/8)RM | 1,00 | | | -- |
| 0044 | | RCDS46072 | | VALVE BODY N/R 1/4F-1/4 P176 OT | 1,00 | | | -- |
| 0045 | | MLML21505 | | SPRING D. 8 X5 X0.3 | 1,00 | | | -- |
| 0046 | | SFVR04274 | | BALL D. 7/32 | 1,00 | | | -- |
| 0047 | | GUGO01055 | | O-RING D. 5.28 X 1.78 VIT 70SH | 1,00 | | | -- |
| 0048 | | GUGO01036 | | O-RING D. 10.82 X 1.78 NBR 70SH | 1,00 | | | -- |
| 0049 | | RCDS10546 | | VALVE SEAT 1/4M + PG. D.3-7.5 OTT | 1,00 | | | -- |
| 0050 | | MPVR40767 | | WATER TANK PW-H100 PEHD NT. | 1,00 | | | -- |
| 0051 | | TBBP40091 | | L.P. HOSE L= 650 3/4F 0°-LIB.19X26 | 1,00 | | | -- |
| 0052 | | FSVR00431 | | CLAMP D. 16-25 | 1,00 | | | -- |
| 0053 | | GUGO40060 | | GASKET D. 21.0-33 X 2.5 EPDM | 2,00 | | | -- |
| 0054 | | RCVR40154 | | HOSE FITTING PPL D.19 -G.1/2M | 1,00 | | | -- |
| 0055 | | MPVR88419 | | ADAPTER H120 /H110 | 1,00 | | | -- |
| 0056 | | RCGR60703 | | FLOATER MTM 3/4 PP. S/F. | 1,00 | | | -- |
| 0057 | | RCVR49974 | | RING NUT 3/4" X 4 NIK | 1,00 | | | -- |
| 0058 | | TBBP07631 | | L.P. HOSE D.10-14 | 0,08 | | | -- |
| 0059 | | MPVR40516 | | TANK COVER P190-35 PA6 BL. | 1,00 | | | -- |
| 0060 | | MPVR89078 | | PLATE P190 PA6 BL. | 2,00 | | | -- |
| 0061 | | LAFN40732 | | PANEL PW-H28 INX | 1,00 | | | -- |
| 0062 | | MNMN18650 | | PRESSURE GAUGE 0-300 D.40 | 1,00 | | | -- |
| 0063 | | TBAP40113 | | POLYAMIDE HOSE L=420 1/4F GR.-1/8F MN. | 1,00 | | | -- |
| 0064 | | GUGO08071 | | O-RING D. 4.48 X 1.78 NBR 70SH | 1,00 | | | -- |
| 0065 | | GUGO12183 | | O-RING D. 23.4 X 3.53 VIT 70SH | 1,00 | | | -- |
| 0066 | | RCGR08069 | | TAP BODY DET. PRT | 1,00 | | | -- |
| 0067 | | RCGR08070 | | ADJUSTER PRT | 1,00 | | | -- |
| 0068 | | TBBP00051 | | DETERGENT HOSE D. 6-12 | 1,10 | | | -- |
| 0068 | | TBBP00051 | | DETERGENT HOSE D. 6-12 | 0,85 | | | -- |
| 0069 | | FSVR00427 | | CLAMP D. 12 CLIC 66-110 | 2,00 | | | -- |
| 0070 | | MLML08068 | | SPRING D.1,5 L.23 | 1,00 | | | -- |
| 0071 | | VTRS00542 | | WASHER D.14X20 | 1,00 | | | -- |
| 0072 | | MPVR40589 | | BLACK KNOB ST 260 IPC | 1,00 | | | -- |
| 0073 | | FTAC30214 | | FILTER D.15X67 | 1,00 | | | -- |
| 0074 | | GUGO37736 | | GASKET D. 10- 19 X 5 70SH | 1,00 | | | -- |
| 0075 | | RCVR29600 | | SOCKET PTC 3/4 F | 1,00 | | | -- |
| 0076 | | RCVR29602 | | CONNECTOR D. 1/2"-5/8" PTC | 1,00 | | | -- |



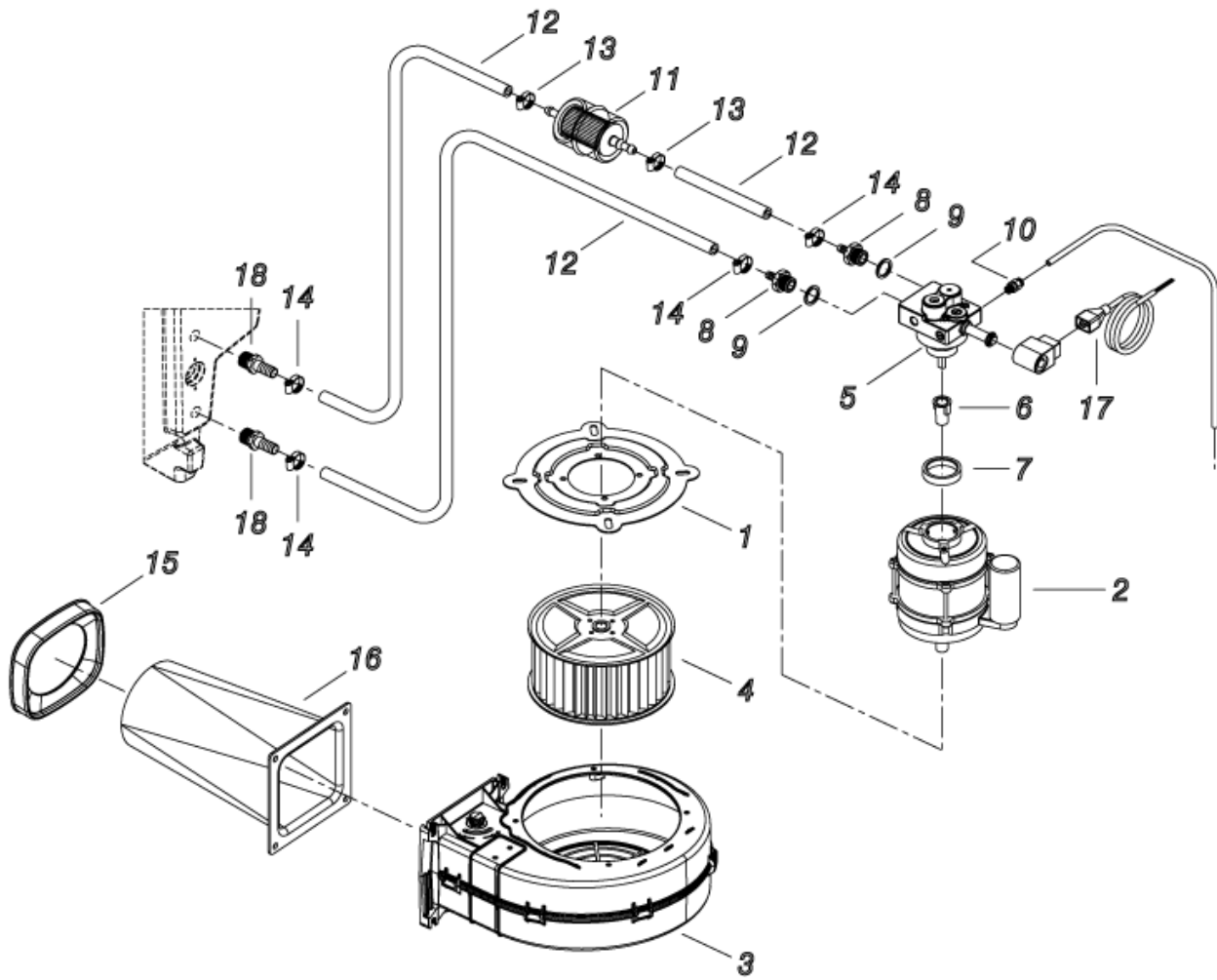
| Ref. | K | Part N. | Customer Part N. | Description | Qty | Validity: | | Price |
|------|---|-----------|------------------|-------------------------------|------|-----------|----|-------|
| | | | | | | From | To | |
| 0077 | | RCVR37806 | | REDUCTION PTC 3/4-1/2 M/F | 1,00 | | | -- |
| 0078 | | VTRS00548 | | WASHER D.17,5X23X1,5 (3/8)RM | 1,00 | 02/2016 | | -- |
| 0079 | | VTRS00549 | | WASHER D.21,5X27X1,5 (1/2) RM | 1,00 | 02/2016 | | -- |



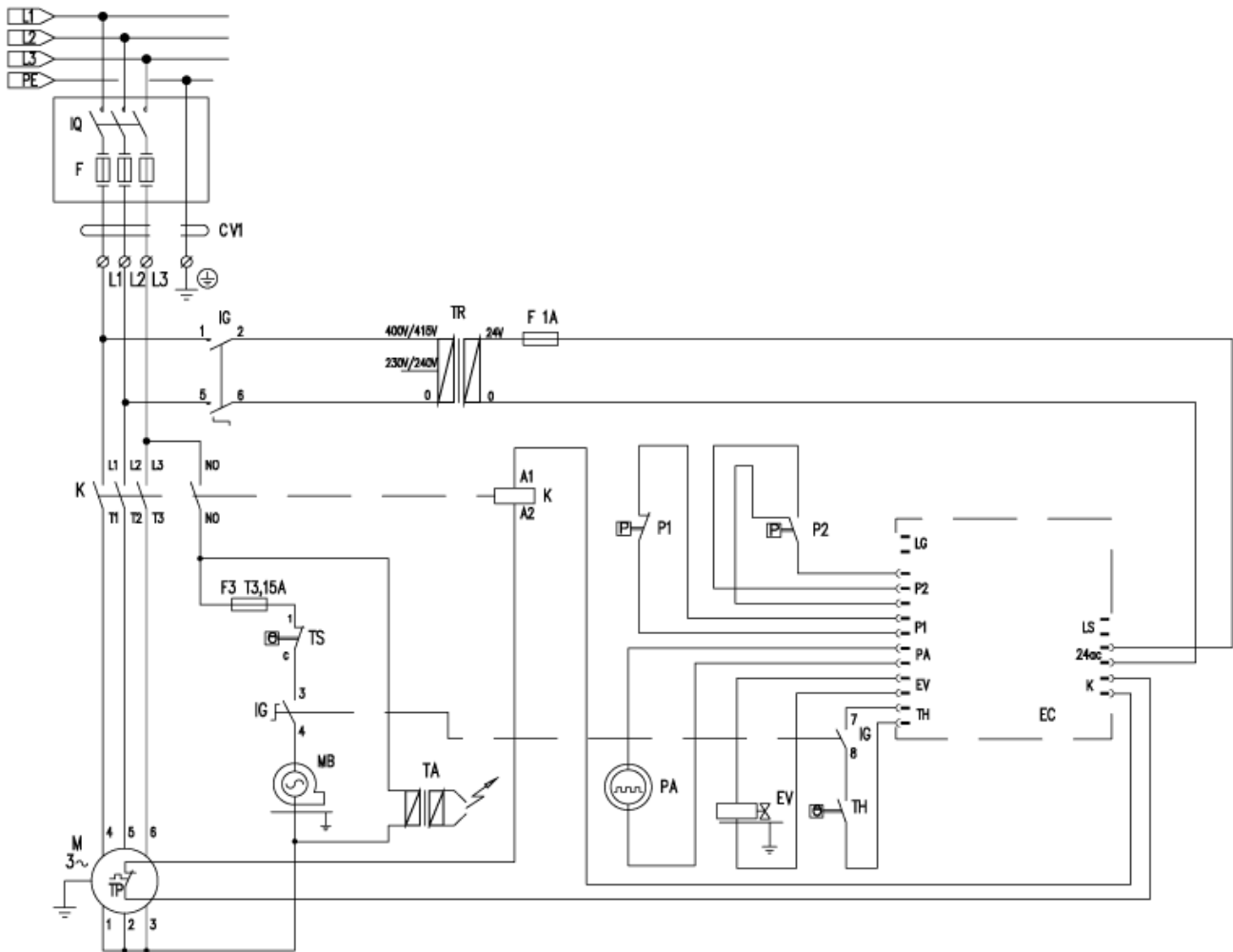
| Ref. Part N. | Cust. Part N. | Description | Reference | Price |
|--------------|---------------|----------------------|--------------------------|-------|
| 0015 | KTRI40384 | KIT P 13- 12 PW-H100 | 0015 0015 0015 0015 0015 | -- |



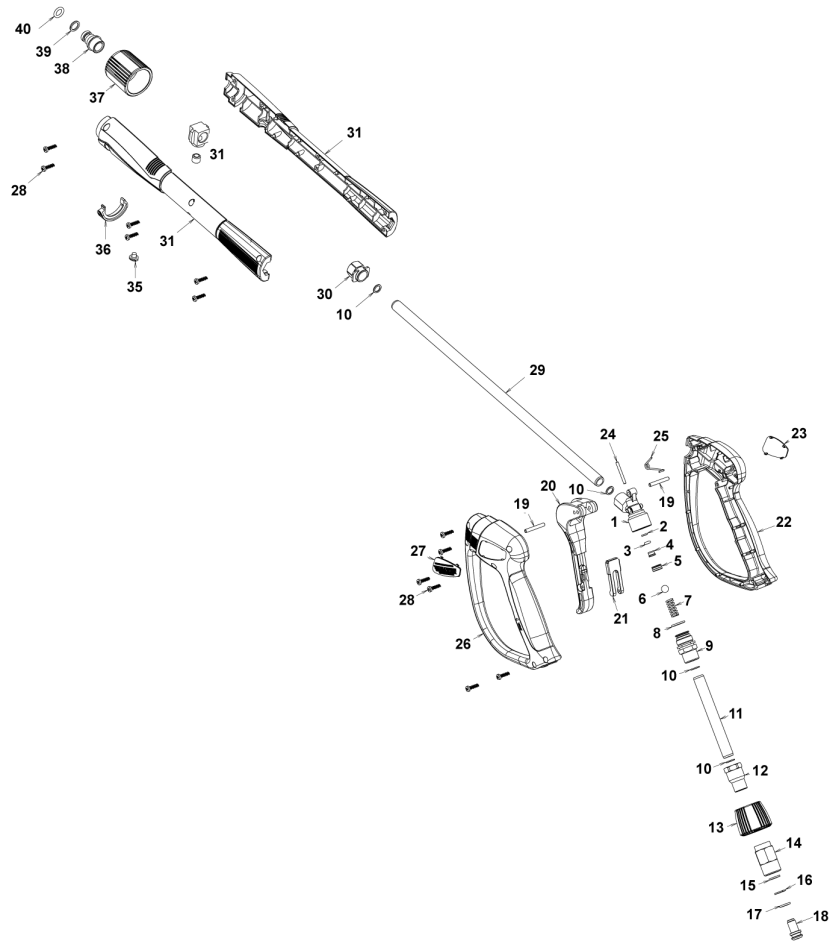
| Ref. | K | Part N. | Customer Part N. | Description | Qty | Validity: From To | Price |
|------|---|-----------|------------------|---------------------------------------|------|----------------------|-------|
| 0001 | | RCDS21120 | | RING NUT M 26 X 1,5 | 2,00 | | -- |
| 0002 | | GUGO21222 | | O-RING D. 15.54 X 2.62 VIT 80SH | 2,00 | | -- |
| 0003 | | GUVR21021 | | ANTI-EXTR.RING D. 21 X17 TEF. | 2,00 | | -- |
| 0004 | | LAFN44149 | | BOILER BOTTOM P176 | 1,00 | | -- |
| 0005 | | ITTE44175 | | BOTTOM P176 C.TE | 1,00 | | -- |
| 0006 | | LAFN40733 | | BAND P176-H28 INX | 1,00 | | -- |
| 0007 | | LAFN40037 | | RING D.342 P176 ZN 2V.CPL. | 1,00 | | -- |
| 0008 | | LAGR40033 | | DOUBLE COIL M26X1.5 P176 40MT. SP.2.3 | 1,00 | | -- |
| 0009 | | LAFN40275 | | INT. CYLINDER PM 40MT INX | 1,00 | | -- |
| 0010 | | LAFN40758 | | EXT. CYLINDER PM-H100.40 INX | 1,00 | | -- |
| 0011 | | LAFN40759 | | BOILER COVER SIPM-H100.40 INX | 1,00 | | -- |
| 0012 | | LAFN40270 | | BOILER COVER SEPM INX | 1,00 | | -- |
| 0013 | | LAFN44244 | | BAFFLE P176 30M INX | 1,00 | | -- |
| 0014 | | LAFN40287 | | PIN CH.10 X 65 M5M/M5M | 3,00 | | -- |
| 0015 | | MFVR18226 | | ELECTR.HOLDER FUT 3°V | 1,00 | | -- |
| 0016 | | LAFN07641 | | PLATE INX | 1,00 | | -- |
| 0017 | | MECA12525 | | ELECTRODE FUT | 1,00 | | -- |
| 0018 | | UGBR31344 | | BURNER NOZZLE 1.75 60 S | 1,00 | | -- |
| 0019 | | RCDS07642 | | NOZZLE HOLDER FUT | 1,00 | | -- |
| 0020 | | MPVR18228 | | OIL WARN-LIGHT D.17 X3 | 1,00 | | -- |
| 0021 | | VTAE22633 | | SEEGER 0.4 X18.30X10,5 | 1,00 | | -- |
| 0022 | | RCVR08954 | | ELBOW 1/8"-4 B5 | 1,00 | | -- |
| 0023 | | MECB46130 | | CABLE DLT L=1100 | 1,00 | | -- |
| 0024 | | MECV35335 | | CABLE A.T. 9,8-23KOHM/M L= 500P | 2,00 | | -- |
| 0025 | | TBCO40068 | | DIESEL HOSE PW-H100 40M D. 4 IX | 1,00 | | -- |
| 0026 | | MPVR88426 | | CONVEYOR P190 PA6 BK. | 1,00 | | -- |



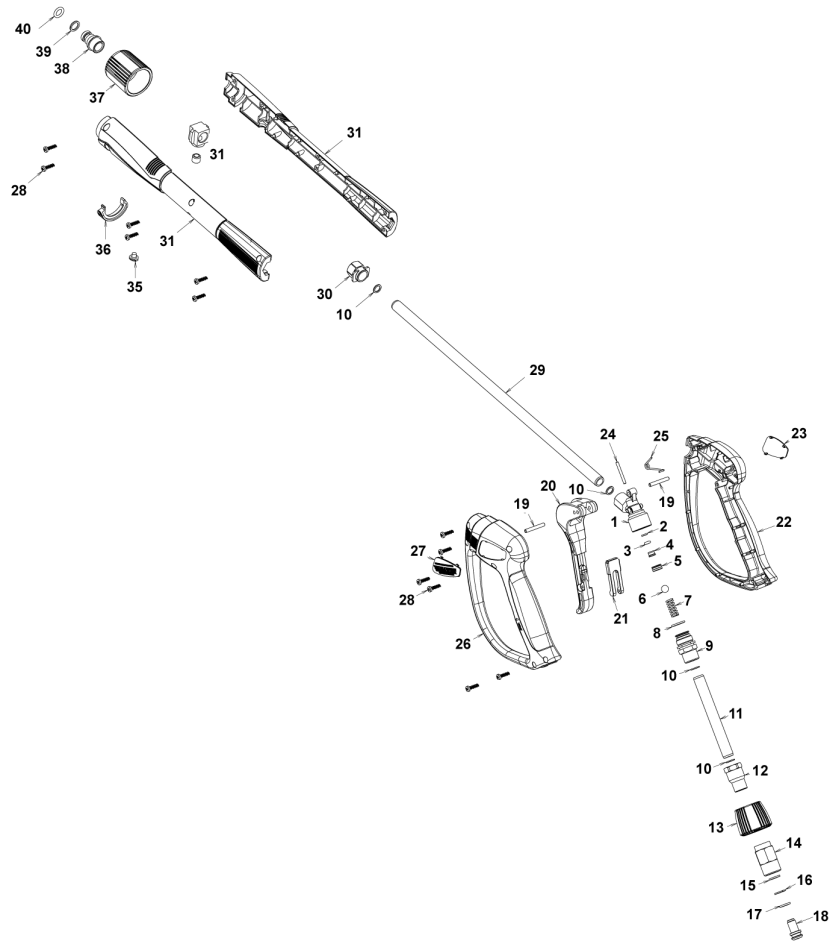
| Ref. K | Part N. | Customer Part N. | Description | Qty | Validity: | | Price |
|--------|-----------|------------------|---|------|-----------|---------|-------|
| | | | | | From | To | |
| 0001 | LAFN10272 | | MOTOR PLATE CB 3 | 1,00 | | | -- |
| 0002 | MOMB40009 | | BURNER MOTOR 230-50 IPX5 180W AO/C | 1,00 | | | -- |
| 0003 | MPVR40665 | | SCROLL CB4 -2PZ.GR. | 1,00 | 11/2015 | | -- |
| 0004 | VEVR34275 | | IMPELLER D.160-80 D.12.7 36P B.SX | 1,00 | | | -- |
| 0005 | PPGS40005 | | FUEL PUMP DNF BFA 01L3R2 | 1,00 | | | -- |
| 0006 | FGGT36513 | | JOINT HP 0.25 AACO | 1,00 | | | -- |
| 0007 | GUGO40062 | | GASKET PW-H100 MOT.BR. | 1,00 | | | -- |
| 0008 | RCDS00626 | | HOSE FITTING 1/4 M D. 5- 7 | 2,00 | | | -- |
| 0009 | VTRS04931 | | WASHER COPPER D.13X19X1.5 | 2,00 | | | -- |
| 0010 | RCVR14014 | | BI-CONE CONNEC.DTT 1/8"M B1 D. 2/ 4 NIK | 1,00 | | | -- |
| 0011 | FTCO40003 | | FUEL FILTER FB 7/TA 60mc NYL. | 1,00 | | 02/2016 | -- |
| 0011 | FTCO40004 | | FUEL FILTER FB 7/T 60mc NYL. | 1,00 | 02/2016 | | -- |
| 0012 | TBCO06945 | | L.P. HOSE D. 6-12 10BAR C.PRESS | 0,11 | | | -- |
| 0012 | TBCO06945 | | L.P. HOSE D. 6-12 10BAR C.PRESS | 1,00 | | | -- |
| 0012 | TBCO06945 | | L.P. HOSE D. 6-12 10BAR C.PRESS | 1,22 | | | -- |
| 0013 | FSVR11197 | | CLAMP D.I. 11 13315 | 2,00 | | | -- |
| 0014 | FSVR00427 | | CLAMP D. 12 CLIC 66-110 | 6,00 | | | -- |
| 0015 | GUGO88425 | | GASKET P245 EPDM | 1,00 | | | -- |
| 0016 | MPVR40766 | | CONVEYOR CB4-H100 PA6 | 1,00 | | | -- |
| 0017 | MECB34463 | | CABLE BT L=800 SP. | 1,00 | | | -- |
| 0018 | RCVR40113 | | HOSE FITTING 1/8 M D. 5- 7 NIK | 3,00 | | | -- |



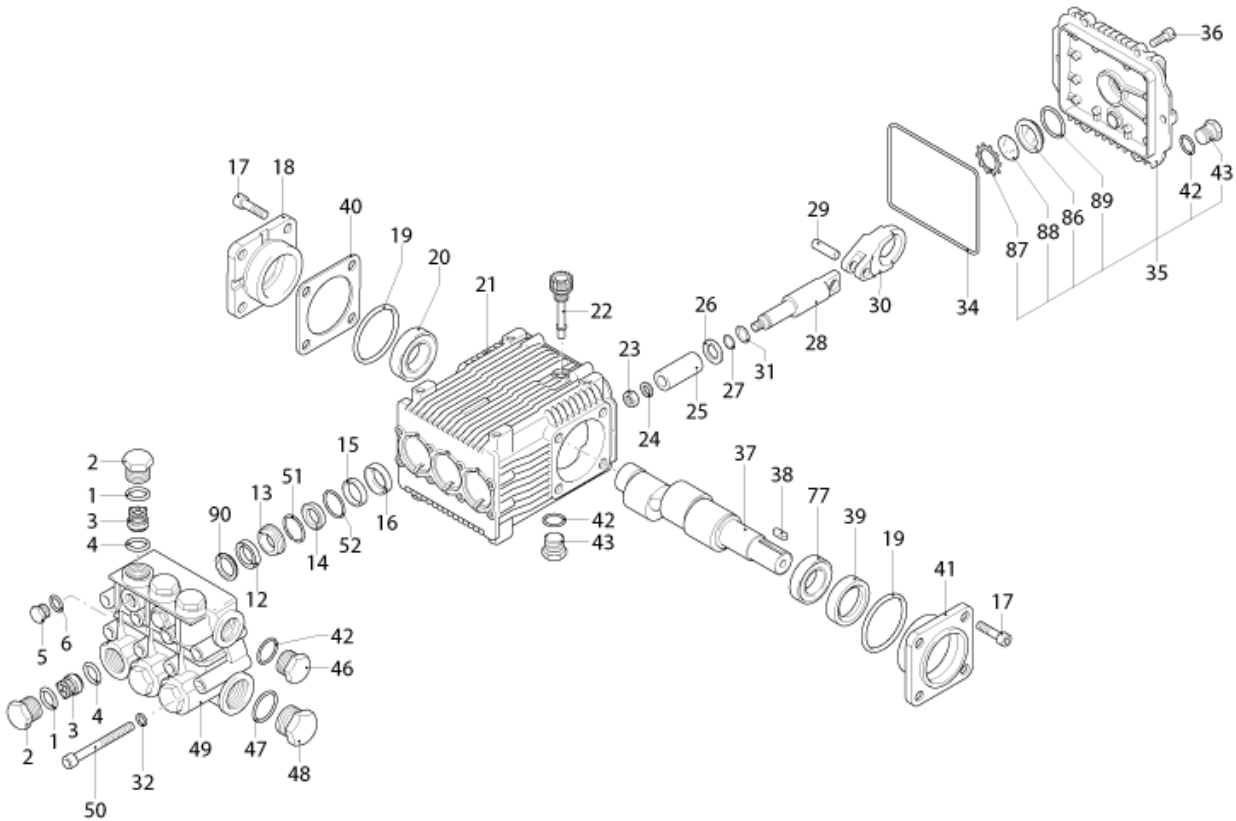
| Ref. | K | Part N. | Customer Part N. | Description | Qty | Validity: | | Price |
|------|---|-----------|------------------|---------------------------------------|------|-----------|----|-------|
| | | | | | | From | To | |
| F | | MEVR00237 | | FUSE 5X20 3,15A | 1,00 | | | -- |
| K | | METT40014 | | CONTACTOR SIE 3RT 2018-1AB01 24V | 1,00 | | | -- |
| EC | | MECE40024 | | PCB PW-H35 TSI+CO+VRT MST-H | 1,00 | | | -- |
| EV | | MEBE43704 | | COIL DNF 24-50 | 1,00 | | | -- |
| IG | | MECI40017 | | COMMUTAT.SWITCH0-1-2 UN. | 1,00 | | | -- |
| P1 | | MEPF40014 | | PRESSURE SWITCHPR 5 1/8M 25BAR RD. | 1,00 | | | -- |
| P2 | | MEPF76254 | | PRESSURE SWITCHPR 5 1/4M 25BAR | 1,00 | | | -- |
| TA | | METR88630 | | TRANSFORMER 23/240V-5/60HZ 2X26KV TR. | 1,00 | | | -- |
| TH | | METK40011 | | THERMOSTAT 0-150° L=1500 F&C | 1,00 | 01/2016 | | -- |
| TR | | METR40012 | | TRANSFORMER 25VA 230-400/24 5/60HZ FS | 1,00 | | | -- |
| TS | | METK34839 | | THERMOSTAT 60°C TR/711-N C.1.5 | 1,00 | 01/2016 | | -- |
| CV1 | | MECB17414 | | CABLE H07 RNF 4X2.5 L=6.500 | 1,00 | | | -- |



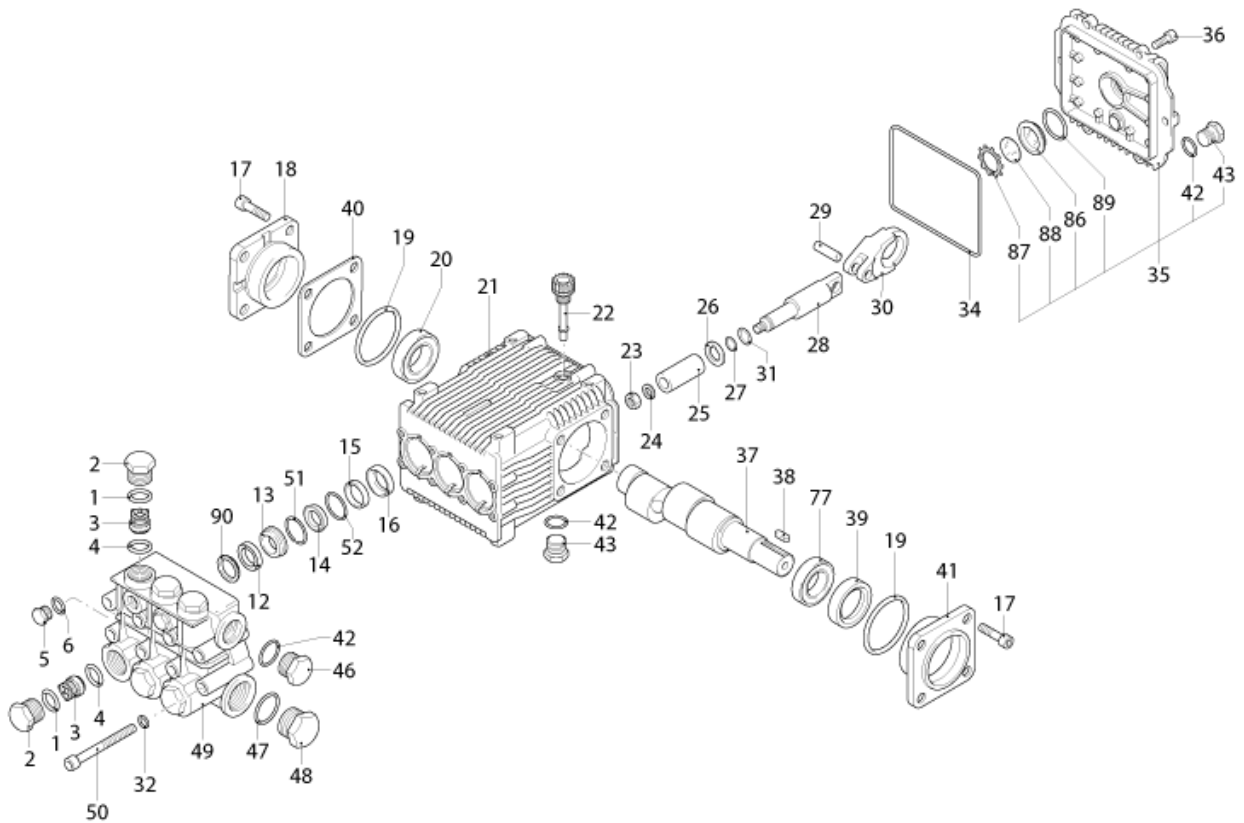
| Ref. | K | Part N. | Customer Part N. | Description | Qty | Validity: From | To | Price |
|------|---|-----------|------------------|---------------------------------|-------|----------------|----|-------|
| 0001 | | PVVR40381 | | GUN BODY G 5100 G1/4F | 1,00 | | | -- |
| 0002 | | GUVR40074 | | ANTI-EXTR.RING D. 3 X 7.4X1.3 | 1,00 | | | -- |
| 0003 | | GUGO21835 | | O-RING D. 2.84 X 2.62 VIT. 80SH | 1,00 | | | -- |
| 0004 | | PVVR40382 | | PISTON GUIDE G 5100 | 1,00 | | | -- |
| 0005 | | PVVR40112 | | BALL SEAT G 5000 | 1,00 | | | -- |
| 0006 | | SFVR40002 | | BALL D.11/32" ALL.GR16 | 1,00 | | | -- |
| 0007 | | MLML40016 | | SPRING D. 9.4 x21.5x1.6 G5000 | 1,00 | | | -- |
| 0008 | | GUGO12322 | | O-RING D. 14 X 1.78 NBR 90SH | 1,00 | | | -- |
| 0009 | | PVVR40383 | | CONNECTOR COLL.G5100 1/4F | 1,00 | | | -- |
| 0010 | | VTRS40017 | | WASHER D. 8,2X11,4X1,00 AL | 4,00 | | | -- |
| 0011 | | PVVR40384 | | TUBE G 1/4" L.105 | 1,00 | | | -- |
| 0012 | | RCIN40022 | | CONNECTOR SWIV G5100 1/4F | 1,00 | | | -- |
| 0013 | | MPVR40819 | | RING NUT G 5100 SW. BK. | 1,00 | | | -- |
| 0014 | | RCIN40021 | | JOINT SWIV 5100 M22 | 1,00 | | | -- |
| 0015 | S | GUVR40075 | | ANTI-EXTR.RING D. 10 X14X1.5 | 1,00 | | | -- |
| 0016 | S | GUVR40076 | | ANTI-EXTR.RING D. 11.2X14X1.2 | 1,00 | | | -- |
| 0017 | S | GUGO15295 | | O-RING D. 10.82 X 1.78 VIT 80SH | 1,00 | | | -- |
| 0018 | | PVVR40386 | | SCREW SW. G 5100 | 1,00 | | | -- |
| 0019 | | VTVR40047 | | PLUG D. 4X29 | 2,00 | | | -- |
| 0020 | | MPVR40820 | | TRIGGER G 6000-SW | 1,00 | | | -- |
| 0021 | | MPVR40821 | | SAFETY-DEVICE G 6000-SW | 1,00 | | | -- |
| 0022 | | MPVR40822 | | SHELL G 6000-SW DX | 1,00 | | | -- |
| 0023 | | MPVR40823 | | PLATE G 6000 GR.DX | 1,00 | | | -- |
| 0024 | | PVVR40387 | | SMALL PISTON G 5100 | 1,00 | | | -- |
| 0025 | | MLML40029 | | SPRING G 5100 | 1,00 | | | -- |
| 0026 | | MPVR40824 | | SHELL G 6000-SW SX | 1,00 | | | -- |
| 0027 | | MPVR40825 | | PLATE G 6000 GR.SX | 1,00 | | | -- |
| 0028 | | VTVT40043 | | SCREW AF 4X 14 HILO ZN.N | 12,00 | | | -- |
| 0029 | | LCPR40086 | | TUBE 1/4 L=420 ZC. 0° | 1,00 | | | -- |
| 0030 | | MPVR40493 | | CONNECTOR G 5100-SW | 1,00 | | | -- |
| 0031 | | MPVR40494 | | PROTECTION P 420 C/AN. | 1,00 | | | -- |
| 0035 | | MPVR40198 | | CAP G 5000 | 1,00 | | | -- |
| 0036 | | MPVR40495 | | CAP G 5100 REM. | 1,00 | | | -- |
| 0037 | | PVVR40119 | | CONNECTION M22X1,5 IRV G5000 | 1,00 | | | -- |
| 0038 | | RCIN40009 | | GUDGEON G 1/4 F IRV G5000 | 1,00 | | | -- |
| 0039 | | GUVR40034 | | ANTI-EXTR.RING D. 10 X14 | 1,00 | | | -- |
| 0040 | | GUGO01946 | | O-RING D. 9.13 X 2.62 VIT 70SH | 1,00 | | | -- |



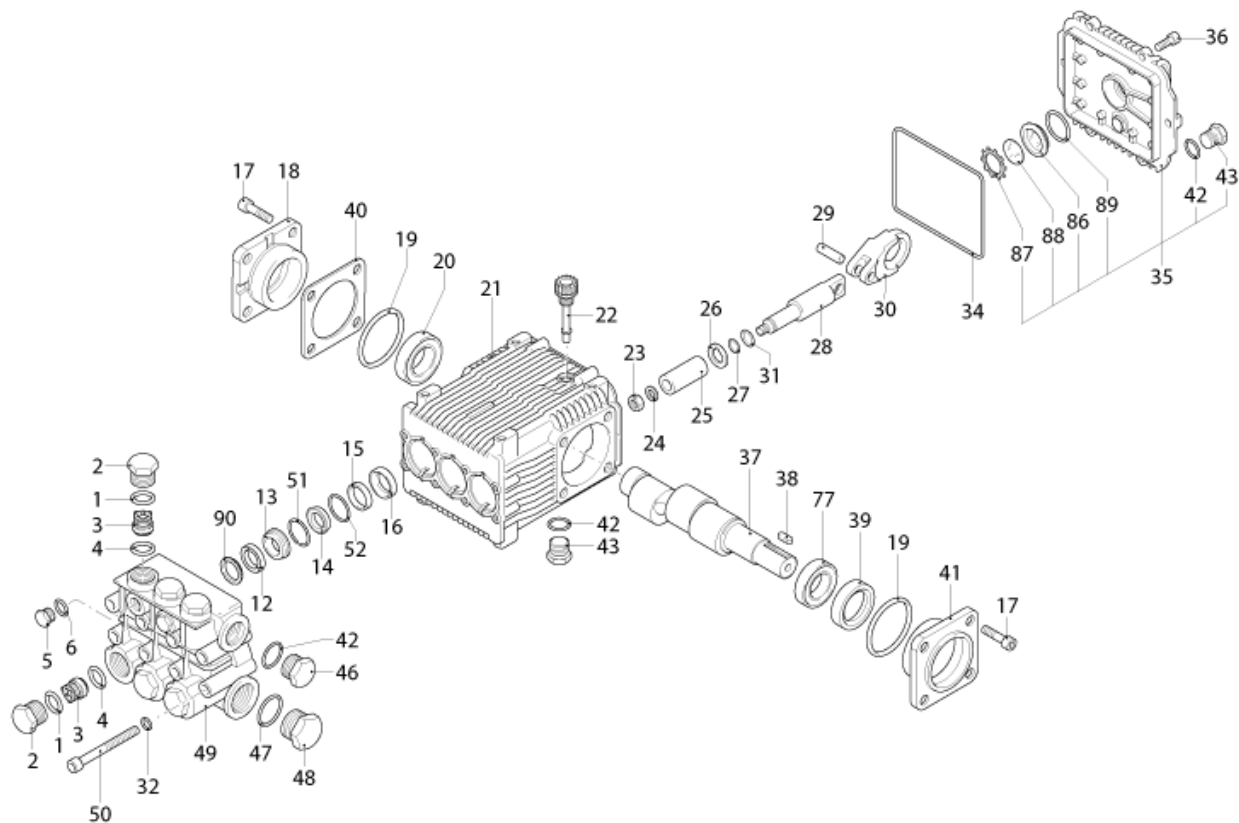
| Ref. Part N. | Cust. Part N. | Description | Reference | Price |
|--------------|---------------|----------------------|----------------|-------|
| KTRI40243 | KIT P | 26- 25 SWIVEL G 5100 | 0015 0016 0017 | -- |



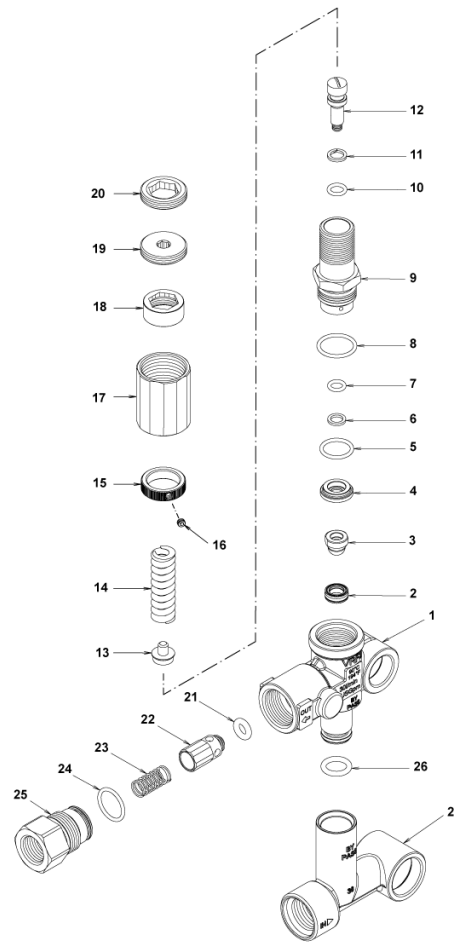
| Ref. | K | Part N. | Customer Part N. | Description | Qty | Validity: | | Price |
|------|---|-----------|------------------|---------------------------------|------|-----------|----|-------|
| | | | | | | From | To | |
| 0001 | | GUGO03502 | | O-RING D. 17.86 X 2.62 NBR 70SH | 6,00 | | | -- |
| 0002 | | PVVR40161 | | CAP AR RR | 6,00 | | | -- |
| 0003 | S | VVAM40003 | | VALVE UNIT RR | 6,00 | | | -- |
| 0004 | S | GUGO02259 | | O-RING D. 15.54 X 2.62 NBR 70SH | 6,00 | | | -- |
| 0005 | | PVVR40129 | | CAP 1/4 M RC | 2,00 | | | -- |
| 0006 | | GUGO01036 | | O-RING D. 10.82 X 1.78 NBR 70SH | 2,00 | | | -- |
| 0012 | S | GUVR40051 | | PACKING D. 22 RK W1 | 3,00 | | | -- |
| 0013 | | PVVR40212 | | INTERMED. RING D.22 RK | 3,00 | | | -- |
| 0014 | S | GUVR40050 | | PACKING D. 22 RK W2 | 3,00 | | | -- |
| 0015 | | PVVR40210 | | SPACER D. 35 RK | 3,00 | | | -- |
| 0016 | S | GUGO40022 | | OIL SEAL RK | 3,00 | | | -- |
| 0017 | | VTVT01118 | | SCREW TCEI M 8X16 ZC. UNI 5931 | 8,00 | | | -- |
| 0018 | | MFVR40038 | | CRANKCASE COVER AR RK LT. | 1,00 | | | -- |
| 0019 | S | GUGO01053 | | O-RING D. 60 X 2.62 NBR 70SH | 2,00 | | | -- |
| 0020 | | CUVR40011 | | BEARING 30304 DQ | 1,00 | | | -- |
| 0021 | | MFVR40039 | | PUMP CRANKCASE AR RK | 1,00 | | | -- |
| 0022 | | PVVR19231 | | OIL CAP XTS | 1,00 | | | -- |
| 0023 | | VTDD00483 | | NUT M 8 ZIN UNI 5588 | 3,00 | | | -- |
| 0024 | | VTRS19394 | | WASHER D. 8X13X0.5 | 3,00 | | | -- |
| 0025 | S | PIVR40009 | | PISTON D.22X40 RK | 3,00 | | | -- |
| 0026 | | PVVR40218 | | DISC RK | 3,00 | | | -- |
| 0027 | | GUGO08071 | | O-RING D. 4.48 X 1.78 NBR 70SH | 3,00 | | | -- |
| 0028 | | PVVR40217 | | PISTON GUIDE RK | 3,00 | | | -- |
| 0029 | | PVVR40211 | | GUDGEON D. 10X25 RK | 3,00 | | | -- |
| 0030 | | BLVR40005 | | CONNECTING ROD RK | 3,00 | | | -- |
| 0031 | | GUVR40044 | | ANTI-EXTR.RING D. 5 X 8 X1 | 3,00 | | | -- |
| 0032 | | VTRS00504 | | WASHER D. 8 TE ZC. UNI 6592 | 8,00 | | | -- |
| 0034 | S | GUGO40023 | | O-RING D. 106 X 3 NBR 70SH | 1,00 | | | -- |
| 0035 | | MFVR40041 | | CRANKCASE COVER AR RK | 1,00 | | | -- |
| 0036 | | VTVT01114 | | SCREW TCEI 6X14 UNI 5931 | 6,00 | | | -- |
| 0037 | | ALMO40017 | | SHAFT AR RK20.19 NC | 1,00 | | | -- |
| 0038 | | VTVR41531 | | KEY 8X 7X35 UNI 6604A | 1,00 | | | -- |
| 0040 | | PVVR40214 | | THICKNESS AR 0,20 mm | 1,00 | | | -- |
| 0041 | | MFVR40040 | | CRANKCASE COVER AR RK LAT. OPEN | 1,00 | | | -- |
| 0042 | | GUGO09720 | | O-RING D. 14 X 1.78 NBR 70SH | 3,00 | | | -- |
| 0043 | | PVVR40099 | | CAP 3/8 M HRM | 1,00 | | | -- |
| 0046 | | PVVR40099 | | CAP 3/8 M HRM | 1,00 | | | -- |
| 0047 | | GUGO19245 | | O-RING D. 17.5 X 2 NBR 70SH | 1,00 | | | -- |
| 0048 | | PVVR40121 | | CAP 1/2 M RC | 1,00 | | | -- |



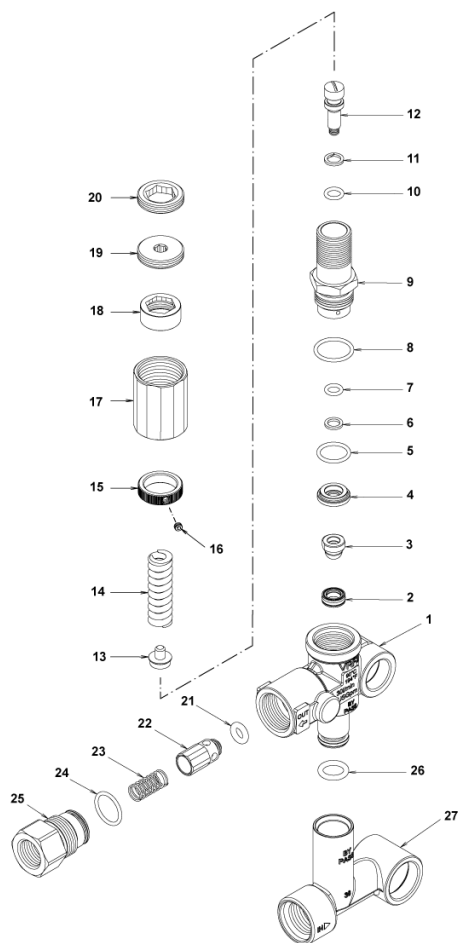
| Ref. | K | Part N. | Customer Part N. | Description | Qty | Validity: | | Price |
|------|---|-----------|------------------|---------------------------------|------|-----------|----|-------|
| | | | | | | From | To | |
| 0049 | | MFVR40042 | | HEAD AR RK OT. | 1,00 | | | -- |
| 0050 | | VTVT37530 | | SCREW TCEI M 8X70 UNI 5931 | 8,00 | | | -- |
| 0051 | S | GUGO10379 | | O-RING D. 22 X 2 NBR 70SH | 3,00 | | | -- |
| 0052 | S | GUGO40024 | | O-RING D. 28.25 X 1.78 NBR 70SH | 3,00 | | | -- |
| 0077 | | CUVR66788 | | BEARING D.25X52X16,25 30205 SKF | 1,00 | | | -- |
| 0086 | | PVVR19238 | | OIL INDICATOR XTS | 1,00 | | | -- |
| 0087 | | VTAE19239 | | SEEGER 0,5 X25,35X16,0 | 1,00 | | | -- |
| 0088 | | PVVR40199 | | DISC CONTRASTO POMPA RW | 1,00 | | | -- |
| 0089 | | GUGO19395 | | O-RING D. 20.24 X 2.62 NBR 70SH | 1,00 | | | -- |



| Ref. | Part N. | Cust. Part N. | Description | Reference | Price |
|------|-----------|---------------|------------------------|---------------------|-------|
| K A | KTRI40142 | | KIT P 15-42909 RR | 0003 0004 | -- |
| K B | KTRI40166 | | KIT P 15-2526 D.22 RK | 0025 | -- |
| K C | KTRI40167 | | KIT P 15-1855 RK | 0016 0019 0034 0039 | -- |
| K E | KTRI40168 | | KIT P 15-42925 D.22 RK | 0012 0014 0051 0052 | -- |



| Ref. K | Part N. | Customer Part N. | Description | Qty | Validity: From | To | Price |
|--------|-------------|------------------|-----------------------------------|------|----------------|----|-------|
| 0001 | PVVR40362 | | VALVE BODY VRF2 | 1,00 | | | -- |
| 0002 | S PVVR40363 | | VALVE SEAT MV124 +OR | 1,00 | | | -- |
| 0003 | S PVVR40364 | | COUPLING MV124 | 1,00 | | | -- |
| 0004 | S PVVR40365 | | SPACER MV124 | 1,00 | | | -- |
| 0005 | S GUGO12322 | | O-RING D. 14 X 1.78 NBR 90SH | 1,00 | | | -- |
| 0006 | S GUVR40072 | | ANTI-EXTR.RING D. 6.5X 9.4 | 1,00 | | | -- |
| 0007 | S GUGO83861 | | O-RING D. 6.07 X 1.78 NBR 90SH | 1,00 | | | -- |
| 0008 | S GUGO24913 | | O-RING D. 17.17 X 1.78 NBR 90SH | 1,00 | | | -- |
| 0009 | S PVVR40388 | | CONNECTOR VRF2 RG.165 56A | 1,00 | | | -- |
| 0010 | S GUGO03500 | | O-RING D. 6.75 X 1.78 NBR 70SH | 1,00 | | | -- |
| 0011 | S GUVR40073 | | ANTI-EXTR.RING D. 7.1X10 X1.2 TBT | 1,00 | | | -- |
| 0012 | S PVVR40367 | | SMALL PISTON D.10 VRF2 | 1,00 | | | -- |
| 0013 | S PVVR40368 | | SPRING PLATE MV124 25B | 1,00 | | | -- |
| 0014 | S MLML47987 | | SPRING D. 3.25X41.1 MV 625 | 1,00 | | | -- |
| 0015 | S PVVR40369 | | RING NUT MV167.09 | 1,00 | | | -- |
| 0016 | S VTVT89696 | | SCREW EI-ST 4X 4 UNI5927 ZC | 1,00 | | | -- |
| 0017 | S PVVR47989 | | CAP MV 625 REG. | 1,00 | | | -- |
| 0018 | S PVVR47990 | | RING NUT MV 625 REG. | 1,00 | | | -- |
| 0019 | S PVVR47991 | | REGISTER MV 625 REG. | 1,00 | | | -- |
| 0020 | S PVVR47992 | | CLAMP MV 625 REG. | 1,00 | | | -- |
| 0021 | S GUGO46053 | | O-RING D. 6 X 3 NBR 90SH | 1,00 | | | -- |
| 0022 | PVVR40349 | | COUPLING VRT3 | 1,00 | | | -- |
| 0023 | MLML40026 | | SPRING VRT3 | 1,00 | | | -- |
| 0024 | S GUGO12321 | | O-RING D. 15.6 X 1.78 NBR 90SH | 1,00 | | | -- |
| 0025 | PVVR40350 | | CONNECTOR VRT3 G 3/8F | 1,00 | | | -- |
| 0026 | GUGO11225 | | O-RING D. 10.78 X 2.62 NBR 70SH | 1,00 | | | -- |
| 0027 | PVVR40373 | | CONNECTOR VRF2.24 | 1,00 | | | -- |



| Ref. Part N. | Cust. Part N. | Description | Reference | Price |
|--------------|---------------|------------------|---|-------|
| KTRI40237 | KIT P | 14-104 SEAL VRF2 | 0002 0003 0005 0006 0007 0008 0010 0011 0021 0024 | -- |
| KTRI40256 | KIT P | 14-105 VRF2 Reg. | 0002 0003 0004 0005 0006 0007 0008 0009 0010 0011 0012 0013 0014 0015 0016 0017 0018 0019 0020 | -- |