



IPC Integrated Professional Cleaning

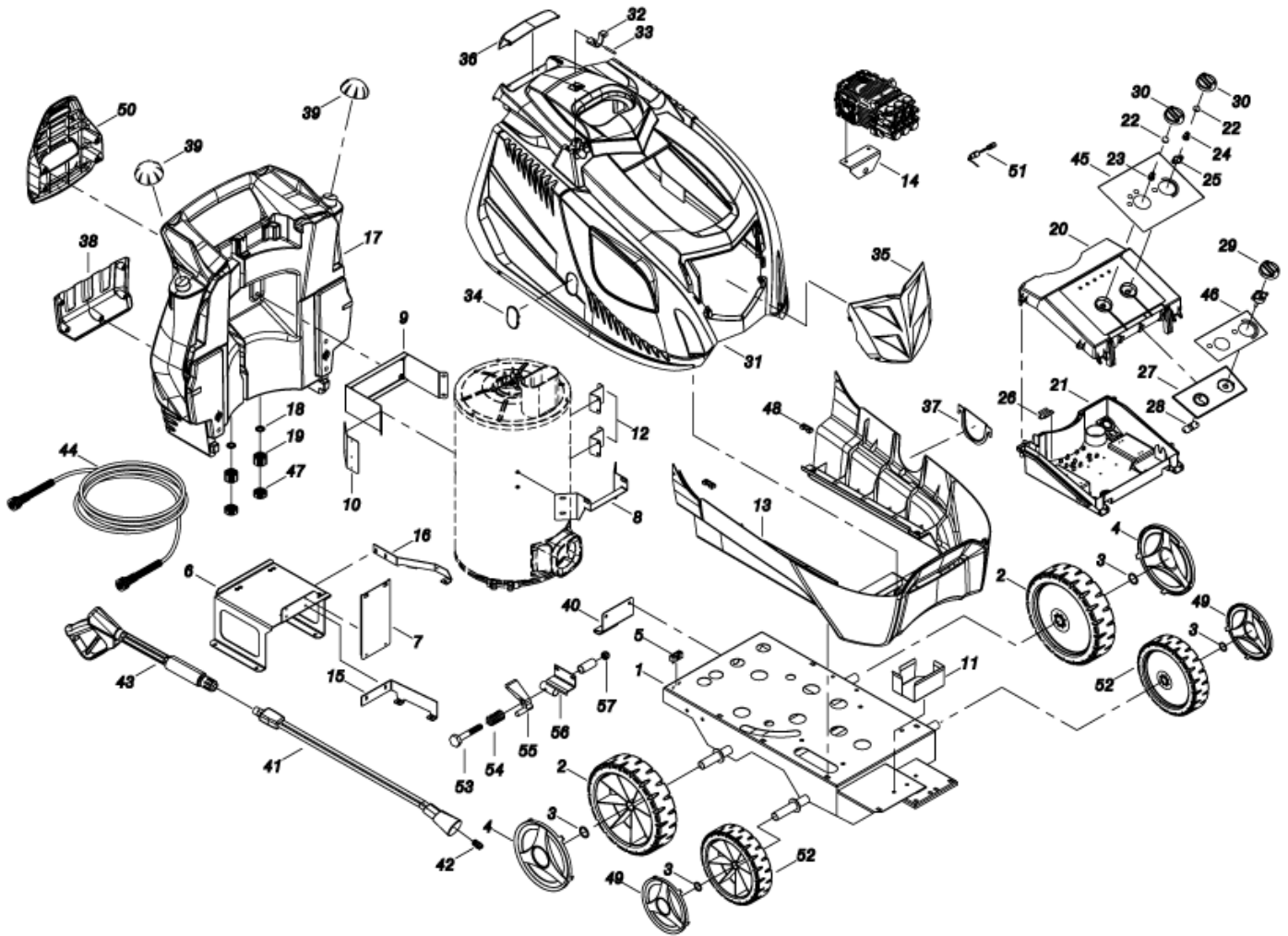
IPC Portotecnica

Spare Parts List

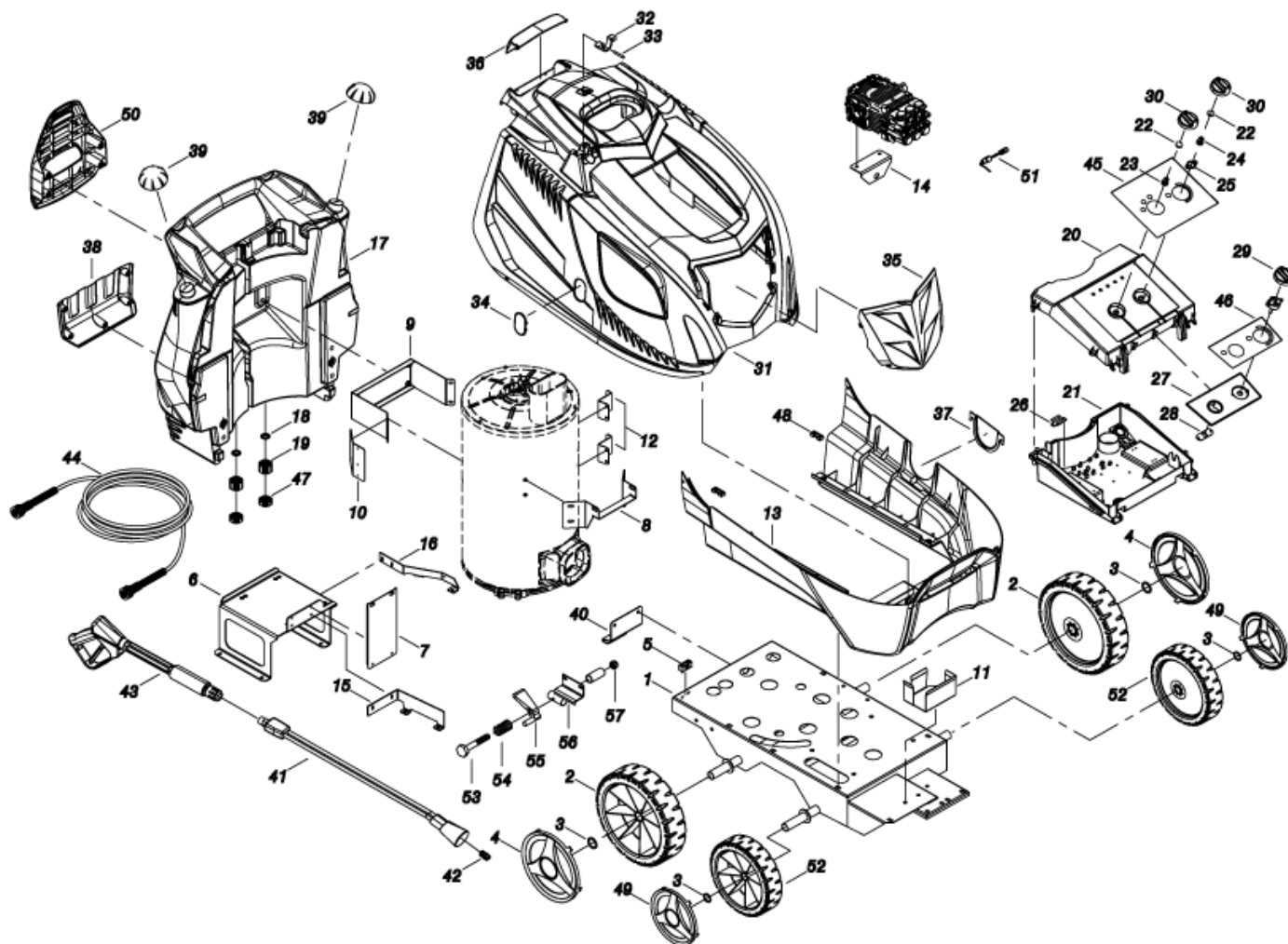
IPF ENGINEERING LTD

Ref: IDAC40926

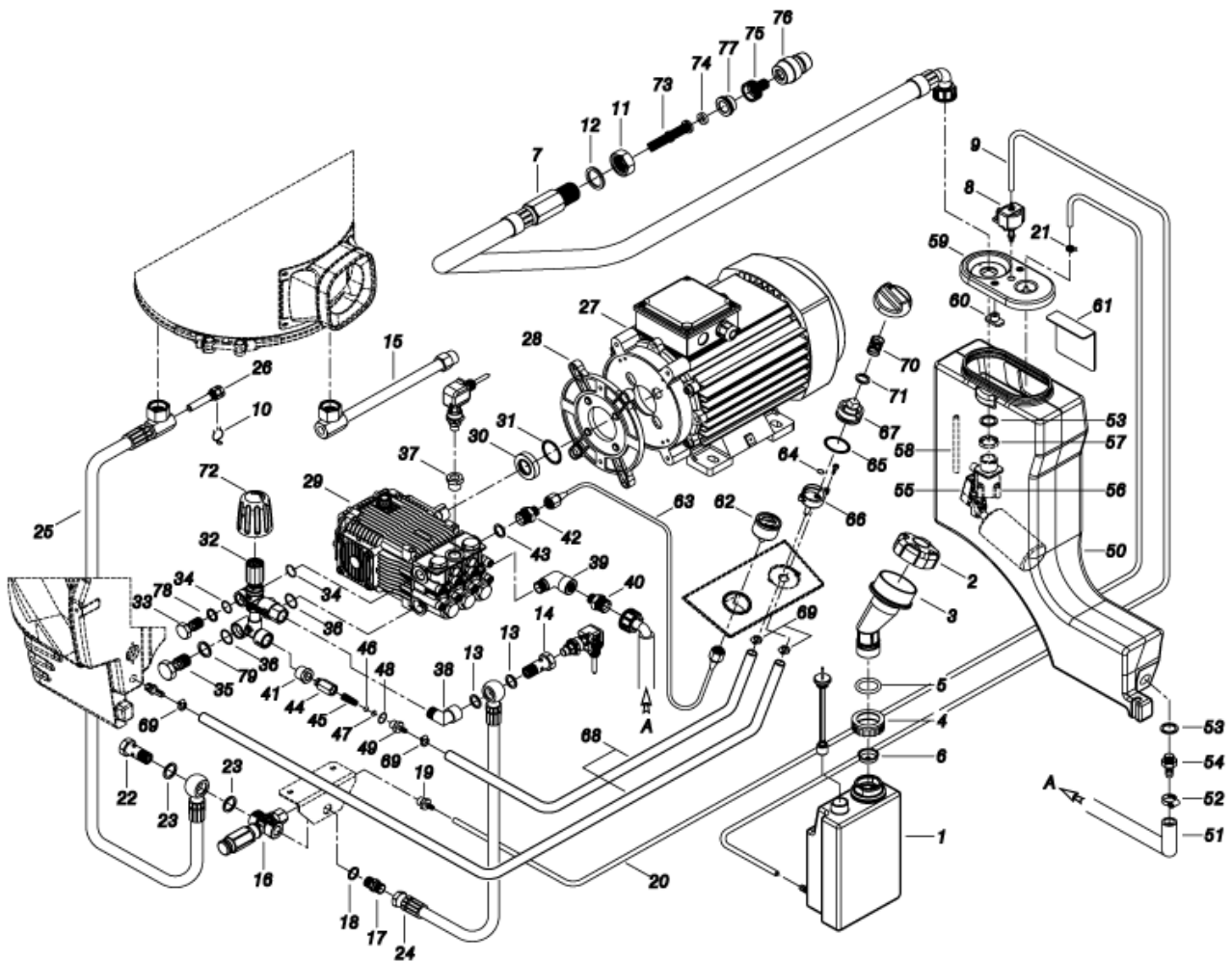
Model: IDROP SYNCRON-H4 D2515P T 400/50 3-01PRT



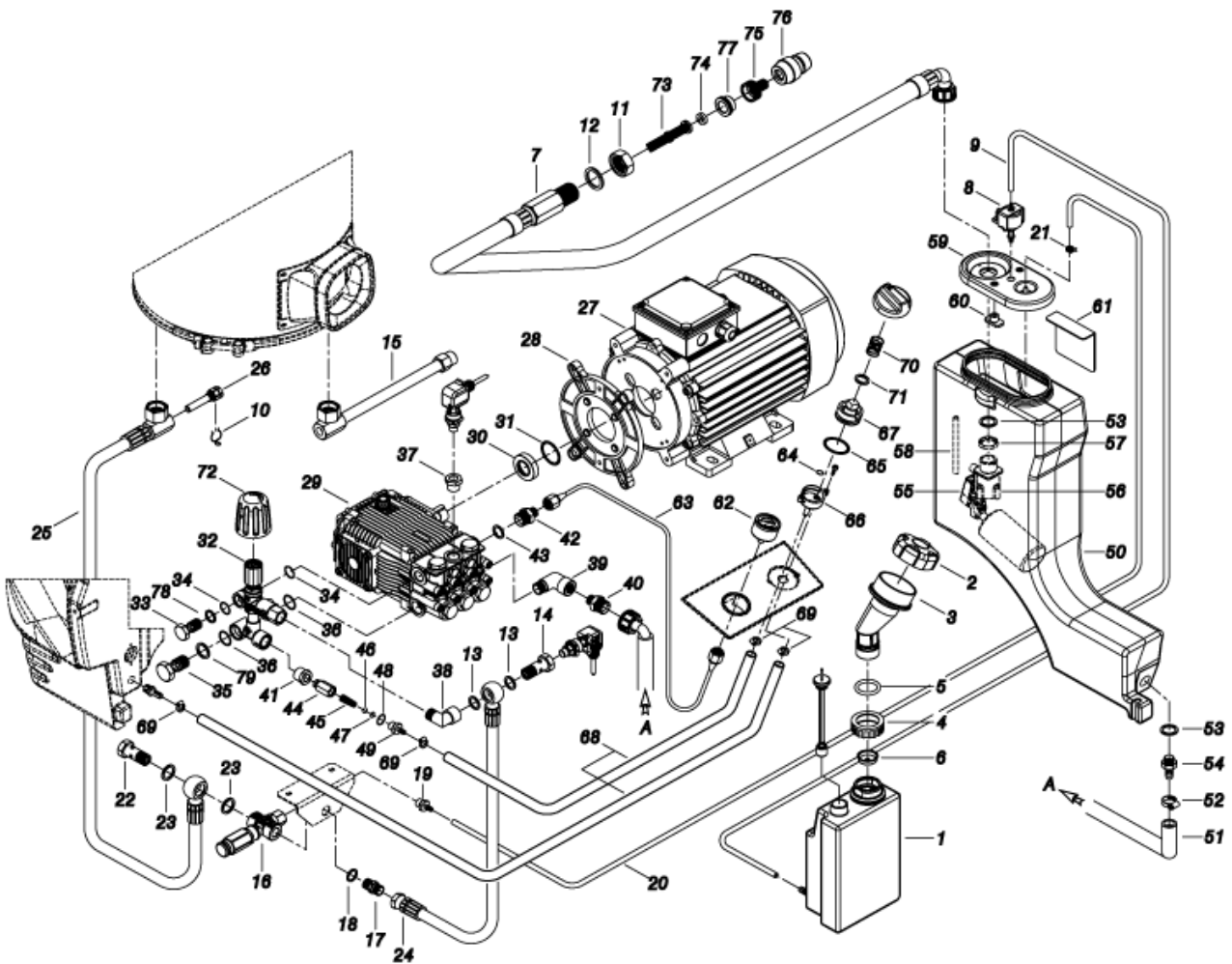
Ref.	K	Part N.	Customer Part N.	Description	Qty	Validity:		Price
						From	To	
0001		LAFN40756		TROLLEY PW-H100/4W BK.	1,00			--
0002		RTRT45383		WHEEL D.305-D.25 RT-IPC	2,00			--
0003		VTRS09813		WASHER D.25	4,00			--
0004		MPVR40536		RED WHEEL COVERD. 305 RT/H35	2,00			--
0005		MEVR20906		CABLE FASTNER KSM	1,00			--
0006		LAFN40752		MOTOR SUPPORT PW-H100 ZC.	1,00			--
0007		LAFN40742		SUPPORT PW-H100 AN.ZC.	1,00			--
0008		LAFN40743		SUPPORT PW-H100 PS.ZC.	1,00			--
0009		LAFN40571		BRACKET PW-H35 PM ZC	1,00		07/2016	--
0009		LAFN40835		BRACKET PW-H35 PM.2 ZC	1,00	07/2016		--
0010		LAFN40745		SUPPORT BRACKETPW-H100 ZC.	1,00			--
0011		LAFN40746		SUPPORT BRACKETPW-H100 ZC.	1,00			--
0012		LAFN40748		B.TANK BRACKET PW-H100 ZC.	2,00			--
0013		MPVR40774		BLACK COVER PW-H100 INF.PP	1,00			--
0014		LAFN40747		VALVE BRACKET SIC. PW-H100 ZC	1,00			--
0015		LAFN40751		SUPPORT BRACKETPW-H100 LAT.	1,00			--
0016		LAFN40749		SUPPORT BRACKETPW-H100 ANT.	1,00			--
0017		MPVR40775		TANK PW-H100 PEHD BK.	1,00			--
0018		GUGO11489		GASKET D.22X1,5	2,00			--
0019		PVVR11806		DISCHARGE CAP FLL	2,00			--
0020		MPVR40540		BOX COVER PW-H35 ABS BK.	1,00			--
0021		MPVR40818		CONTROL BOX PW-H50/7.5 C/F.TH.ABS BK.	1,00			--
0022		GUGO25527		O-RING D. 14 X 3 NBR 70SH	1,00	01/2016		--
0023		MPVR23482		TAIL PIECE TEC. TUV	1,00			--
0024		MPVR23484		TAIL PIECE THERM.KSM TUV	1,00	01/2016		--
0025		MPVR41903		THICKNESS TERM.IM.PA66	1,00	01/2016		--
0026		LAFN46067		SUPPORT L.60 P176	2,00			--
0027		MPVR40542		ANT. PANEL PW-H35 ABS BK.	1,00			--
0028		LAFN40561		JUNCTION BOARD PW-H35 ZC.	1,00			--
0029		MPVR13685		BLACK KNOB PRT-AC	1,00			--
0030		MPVR49057		BLACK KNOB P176-M.RACE PA6	2,00			--
0031		MPVR40762		RED COVER PW-H100 SUP.PP	1,00			--
0032		MPVR40485		RUBBER PW-H35 15-20BK.	1,00			--
0033		MPVR40534		PIN PW-H35 PP BK.	2,00			--
0034		MPVR40539		DOOR PW-H35 PPL NT.	1,00			--
0035		MPVR40764		DOOR PW-H100 PPL BK.	1,00			--
0036		MPVR40765		DOOR PW-H100 PT.PPL BK.	1,00			--
0037		MPVR40532		DOOR PW-H35 PPL BK.INF.	1,00			--
0038		MPVR40533		TOOL HOLDER PW-H35 PP BK.	1,00			--



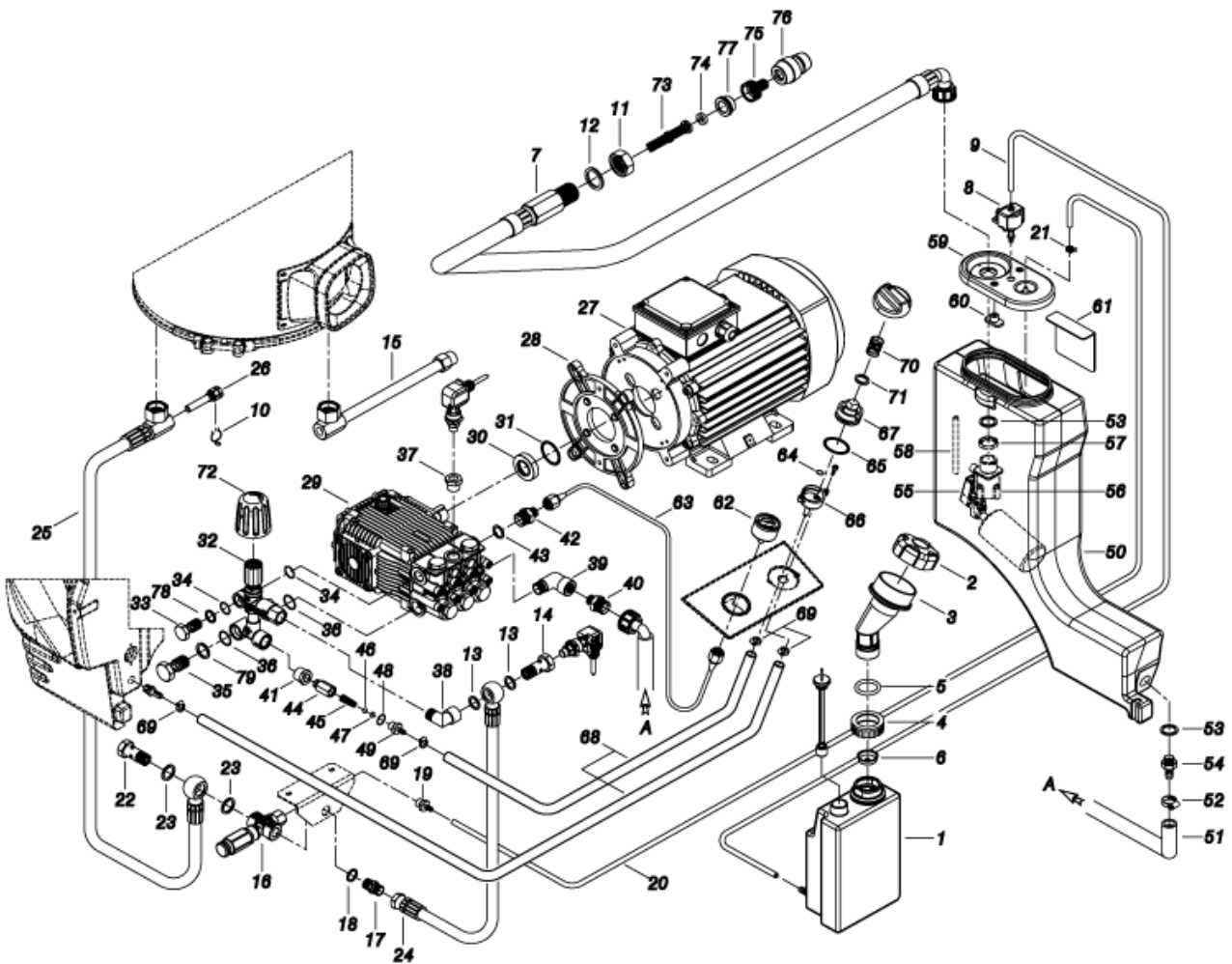
Ref.	K	Part N.	Customer Part N.	Description	Qty	Validity:		Price
						From	To	
0039		MPVR40187		TANK CAP P215 PEHD C/F.	2,00			--
0040		LAFN40609		FOOT PW-H35/4W	1,00			--
0041		LCPR40087		EXTENSION P 70 -P20.IX700 M22 M	1,00			--
0042		UGLN49986		NOZZLE LECH 1/4 1504	1,00			--
0043		IPPR40020		GRIP G 6000+P.330 +M22 SW.M V	1,00			--
0044		TBAP40009		H.P. HOSE R2 MT 10 5/16" C/2 IRV IX	1,00			--
0045		ETET40726		LABEL PW-H35/7.5 RUNNER ELETT.	1,00			--
0046		ETET40769		LABEL PW-H100.SYNCR.IDR.	1,00			--
0047		MPVR20187		RING NUT M 39 X 3	2,00			--
0048		MPVR28554		CABLE FASTNER ELT	2,00			--
0049		MPVR40538		RED WHEEL COVERD. 260 RT/H35	2,00			--
0050		MPVR40701		HOSE SUPPORT PW-H35 PP BK.	1,00			--
0051		MEVR27264		FUSE-HOLDER 031-1081	1,00			--
0052		RTRT40005		WHEEL D.260-D.25 RT-HI	2,00			--
0053		VTVT14480		SCREW TE M 8X80 ZINC. UNI	1,00			--
0054		MLML11917		SPRING D. 14.5 X24 X2.2	1,00			--
0055		MPVR28178		TRIGGER MTH PL.	1,00			--
0056		LAFN40560		BRACKET PW-H35/4W BK.	1,00			--
0057		VTDD00492		NUT M 8 ZINC	1,00			--



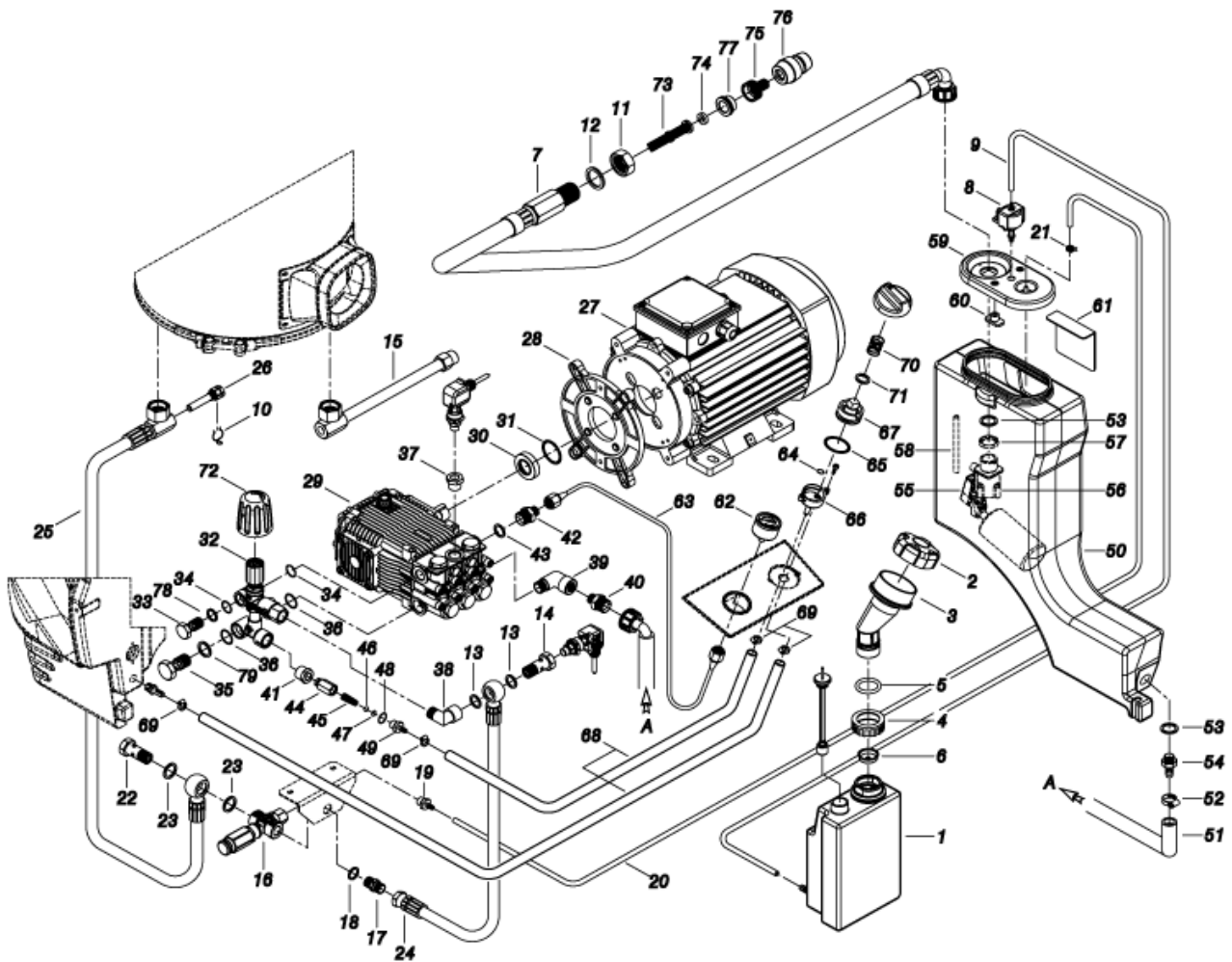
Ref.	K	Part N.	Customer Part N.	Description	Qty	Validity:		Price
						From	To	
0001		MPVR40698		TANK KSM C/PE.	1,00			--
0002		MPVR40187		TANK CAP P215 PEHD C/F.	1,00			--
0003		MPVR40700		MANIFOLD A.CLCL PW-H35 PP NT.	1,00			--
0004		MPVR40739		TANK CAP KSM D.36.2	1,00			--
0005		GUGO89386		O-RING D. 30 X 5 NBR 70SH	1,00			--
0006		MPVR18582		CAP D.22	1,00			--
0007		TBBP40090		L.P. HOSE L=1870 3/4F90°-1/2M 0°	1,00			--
0008		MEPD45940		DESCALING PUMP NME 1 24V 50/60HZ	1,00			--
0009		TBBP00058		L.P. HOSE D. 4- 7	1,10			--
0010		MLML02623		SPRING IMT	1,00			--
0011		RCDS49875		RING NUT 1/2"X 6 CH.27 OT.	1,00			--
0012		VTRS00549		WASHER D.21,5X27X1,5 (1/2) RM	1,00			--
0013		VTRS00548		WASHER D.17,5X23X1,5 (3/8)RM	2,00			--
0014		RCDS40148		SCREW G 3/8 - 1/4F L=36 ZC.	1,00			--
0015	S	RCDS21118		CONNECTOR KSM	1,00			--
0015	S	RCDS21119		NUT KSM	1,00			--
0015	S	RCDS40045		CONNECTOR G 3/8F -1/4 +M14X1 C.27	1,00			--
0015	S	RCDS40041		CONNECTOR L=216 2X3/8M CN. ZC.	1,00			--
0015	S	RCIN03753		MALE COUPLING M22-3/8 M-FA	1,00			--
0016		VVSC72419		VALVE VS 350 G3/8 2E.	1,00			--
0017		RCDS00610		NIPPLE 3/8 - 3/8 SV	1,00			--
0018		VTRS00548		WASHER D.17,5X23X1,5 (3/8)RM	1,00			--
0019		RCDS03514		HOSE FITTING 3/8 M D. 5- 7	1,00			--
0020		TBBP93804		L.P. HOSE D. 6- 9	1,40			--
0021		FSVR40021		CLAMP D 7.8 - 8.3	1,00			--
0022		RCDS01371		SCREW G 3/8 A.P.	1,00			--
0023		VTRS00548		WASHER D.17,5X23X1,5 (3/8)RM	2,00			--
0024		TBAP40174		HOSE-FITTING 5/16 R2 3/8OC. -3/8F 0°	1,00			--
0025		TBAP40173		HOSE-FITTING 3/ 8 R2 L=460 3/8OC.-PM26	1,00			--
0026		RCDS00593		SUMP IM 0-120 L=50	1,00			--
0027		MOTR40012		3PH MOTOR H100 HP 9 2/460-5/60 K.8M	1,00			--
0028		MFVR21735		COUNTERFLANGE MEC 112 2.V	1,00			--
0029		PPAP40084		PUMP RK 15.25 DX NC T.OT.	1,00			--
0030		RCDS40109		BUSHING AR RK OT	1,00			--
0031		GUGO42285		O-RING D. 35 X 2.5 VIT.70SH	1,00			--
0032		VVAZ40062		VALVE VRF-2 AR-R AF S/I. RG	1,00			--
0033		RCDS40172		SCREW 3/8 VRF-2 OT 4F.	1,00			--
0034		GUGO03510		O-RING D. 12.37 X 2.62 NBR 70SH	2,00			--
0035		RCDS40171		SCREW G 1/2 VRF-2 OT. 2F.	1,00			--



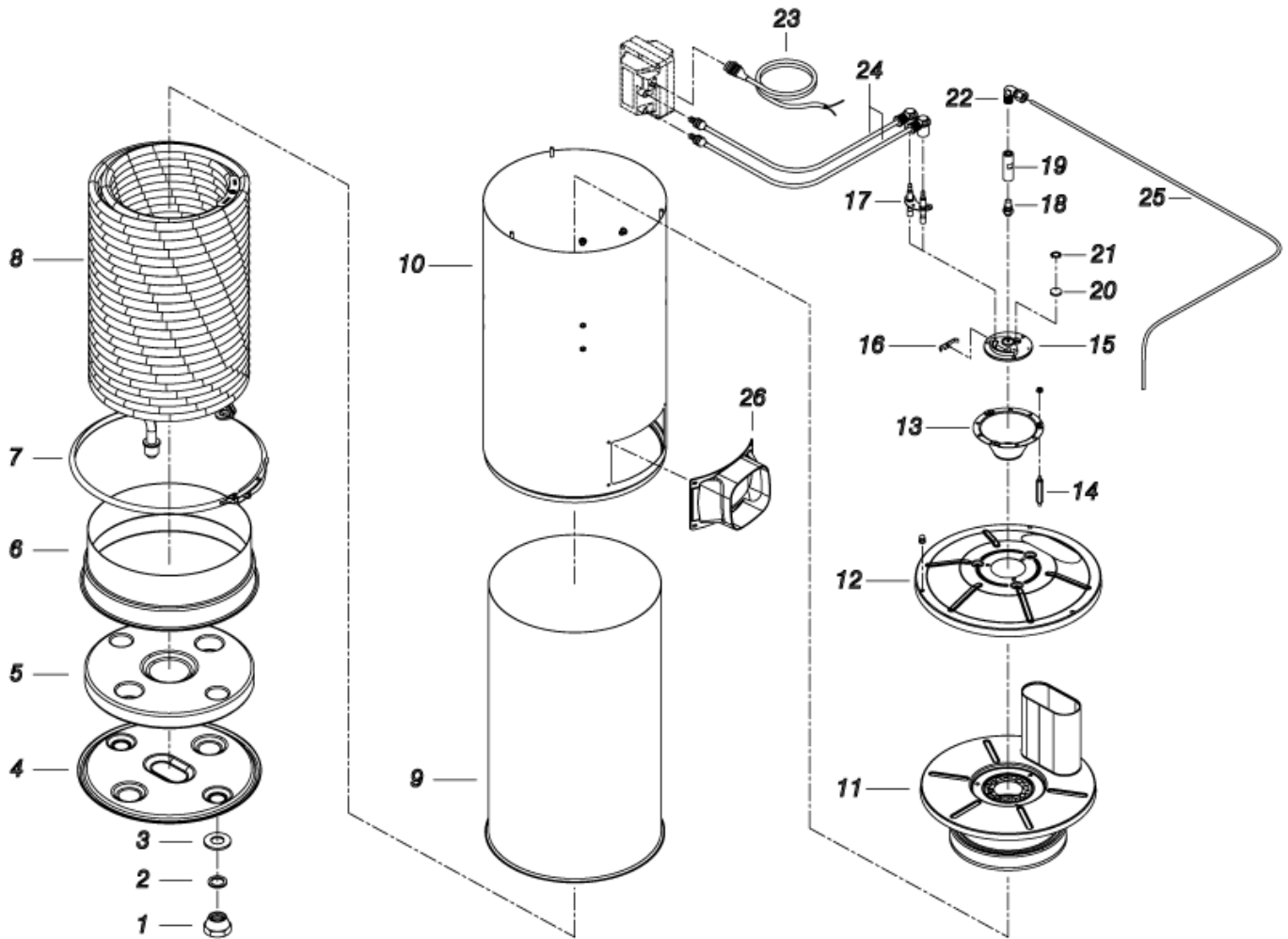
Ref.	K	Part N.	Customer Part N.	Description	Qty	Validity:		Price
						From	To	
0036		GUGO01048		O-RING D. 15.88 X 2.62 NBR 70SH	2,00			--
0037		PVVR40208		CAP AR RK C/F. 1/4F+OR	1,00			--
0038		RCVR40158		ELBOW 3/8"-3/8" M/F A.P.Cn OTT.	1,00			--
0039		RCVR00575		ELBOW 1/2" M/F A10	1,00			--
0040		RCDS46144		NIPPLE 3/4 - 1/2 CB D. 7.0	1,00			--
0041		RCVR02606		REDUCTION 1/2-1/4 M/F	1,00			--
0042		RCDS00608		NIPPLE 3/8 - 1/4 SV	1,00			--
0043		VTRS00548		WASHER D.17,5X23X1,5 (3/8)RM	1,00			--
0044		RCDS46072		VALVE BODY N/R 1/4F-1/4 P176 OT	1,00			--
0045		MLML21505		SPRING D. 8 X5 X0.3	1,00			--
0046		SFVR04274		BALL D. 7/32	1,00			--
0047		GUGO01055		O-RING D. 5.28 X 1.78 VIT 70SH	1,00			--
0048		GUGO01036		O-RING D. 10.82 X 1.78 NBR 70SH	1,00			--
0049		RCDS10546		VALVE SEAT 1/4M + PG. D.3-7.5 OTT	1,00			--
0050		MPVR40767		WATER TANK PW-H100 PEHD NT.	1,00			--
0051		TBBP40091		L.P. HOSE L= 650 3/4F 0°-LIB.19X26	1,00			--
0052		FSVR00431		CLAMP D. 16-25	1,00			--
0053		GUGO40060		GASKET D. 21.0-33 X 2.5 EPDM	2,00			--
0054		RCVR40154		HOSE FITTING PPL D.19 -G.1/2M	1,00			--
0055		MPVR88419		ADAPTER P245 PA6 BK.	1,00			--
0056		RCGR60703		FLOATER MTM 3/4 PP. S/F.	1,00			--
0057		RCVR49974		RING NUT 3/4" X 4 NIK	1,00			--
0058		TBBP07631		L.P. HOSE D.10-14	0,08		06/2016	--
0058		TBBP40105		L.P. HOSE D.12-17 CRISTALL	0,08	06/2016		--
0059		MPVR40516		TANK COVER P190-35 PA6 BL.	1,00			--
0060		MPVR89078		PLATE P190 PA6 BL.	2,00			--
0061		LAFN40732		PANEL PW-H28 INX	1,00			--
0062		MNMN18650		PRESSURE GAUGE 0-300 D.40	1,00			--
0063		TBAP40113		POLYAMIDE HOSE L=420 1/4F GR.-1/8F MN.	1,00			--
0064		GUGO08071		O-RING D. 4.48 X 1.78 NBR 70SH	1,00			--
0065		GUGO12183		O-RING D. 23.4 X 3.53 VIT 70SH	1,00			--
0066		RCGR08069		TAP BODY DET. PRT	1,00			--
0067		RCGR08070		ADJUSTER PRT	1,00			--
0068		TBBP00051		DETERGENT HOSE D. 6-12	1,10			--
0068		TBBP00051		DETERGENT HOSE D. 6-12	0,85			--
0069		FSVR00427		CLAMP D. 12 CLIC 66-110	2,00			--
0070		MLML08068		SPRING D.1,5 L.23	1,00			--
0071		VTRS00542		WASHER D.14X20	1,00			--
0072		MPVR40589		BLACK KNOB ST 260 IPC	1,00			--



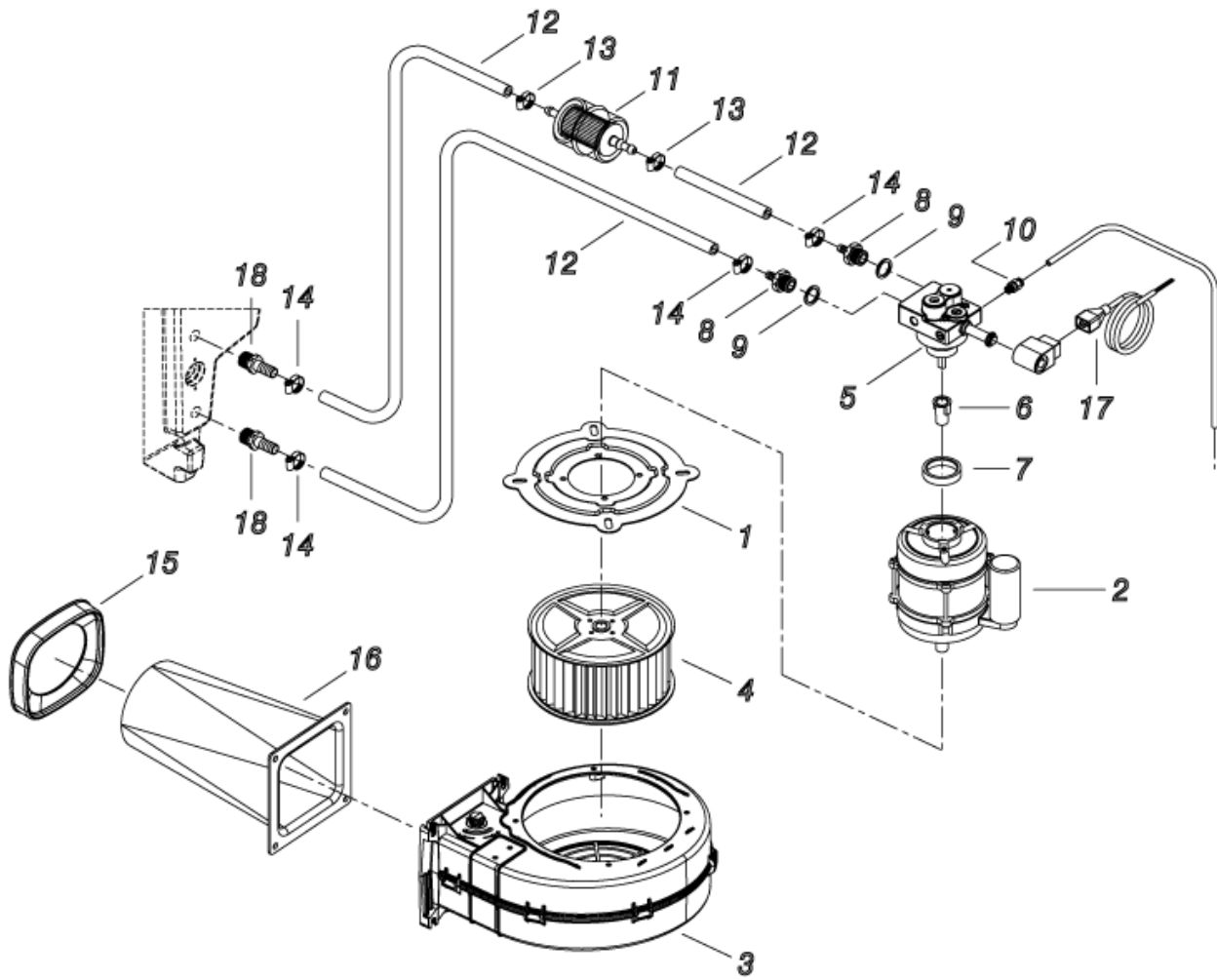
Ref. K	Part N.	Customer Part N.	Description	Qty	Validity:		Price
					From	To	
0073	FTAC30214		FILTER D.15X67	1,00			--
0074	GUGO37736		GASKET D. 10- 19 X 5 70SH	1,00			--
0075	RCVR29600		SOCKET PTC 3/4 F	1,00			--
0076	RCVR29602		CONNECTOR D. 1/2"-5/8" PTC	1,00			--
0077	RCVR37806		REDUCTION PTC 3/4-1/2 M/F	1,00			--
0078	VTRS00548		WASHER D.17,5X23X1,5 (3/8)RM	1,00	02/2016		--
0079	VTRS00549		WASHER D.21,5X27X1,5 (1/2) RM	1,00	02/2016		--



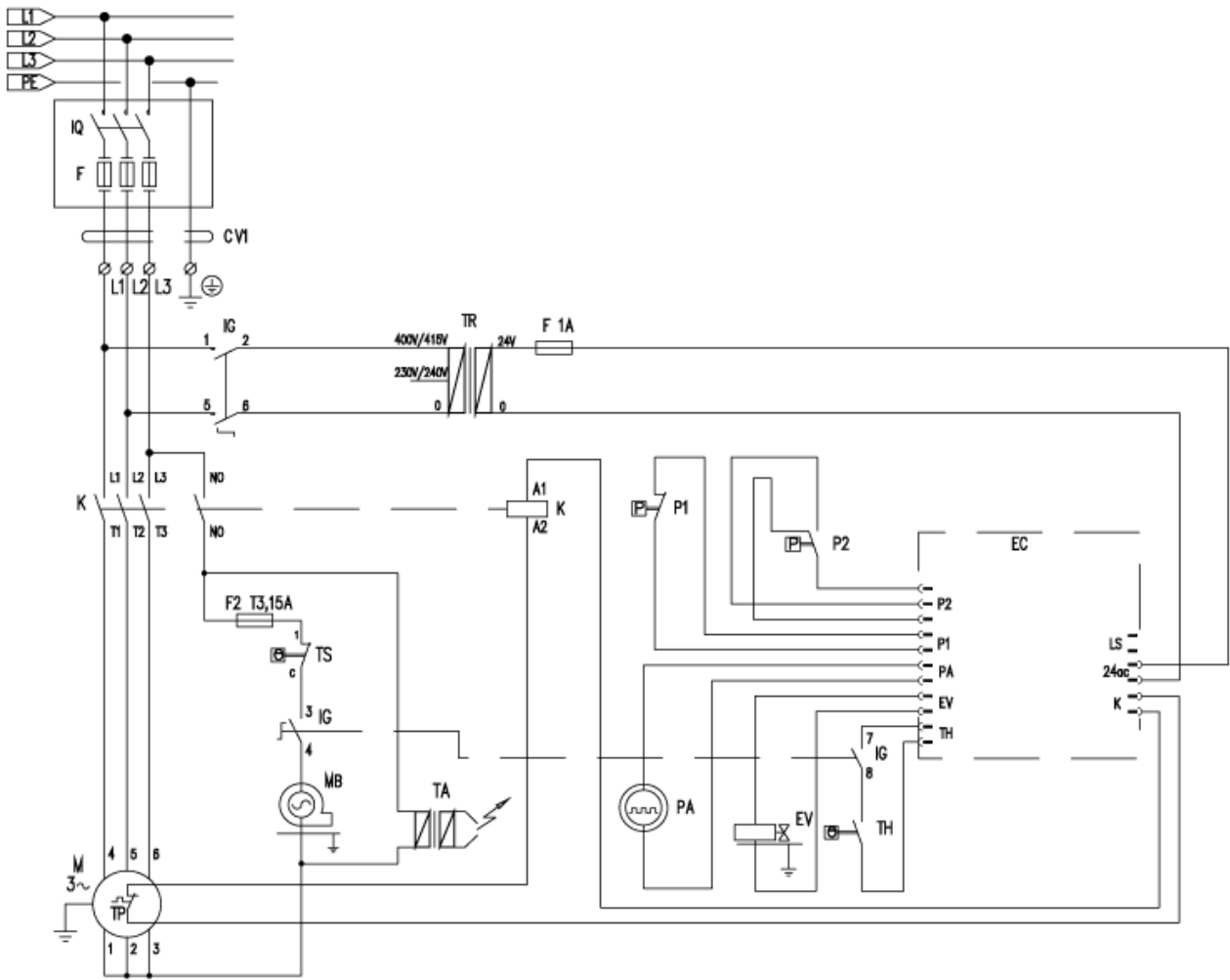
Ref. Part N.	Cust. Part N.	Description	Reference	Price
0015	KTRI40384	KIT P 13- 12 PW-H100	0015 0015 0015 0015 0015	--



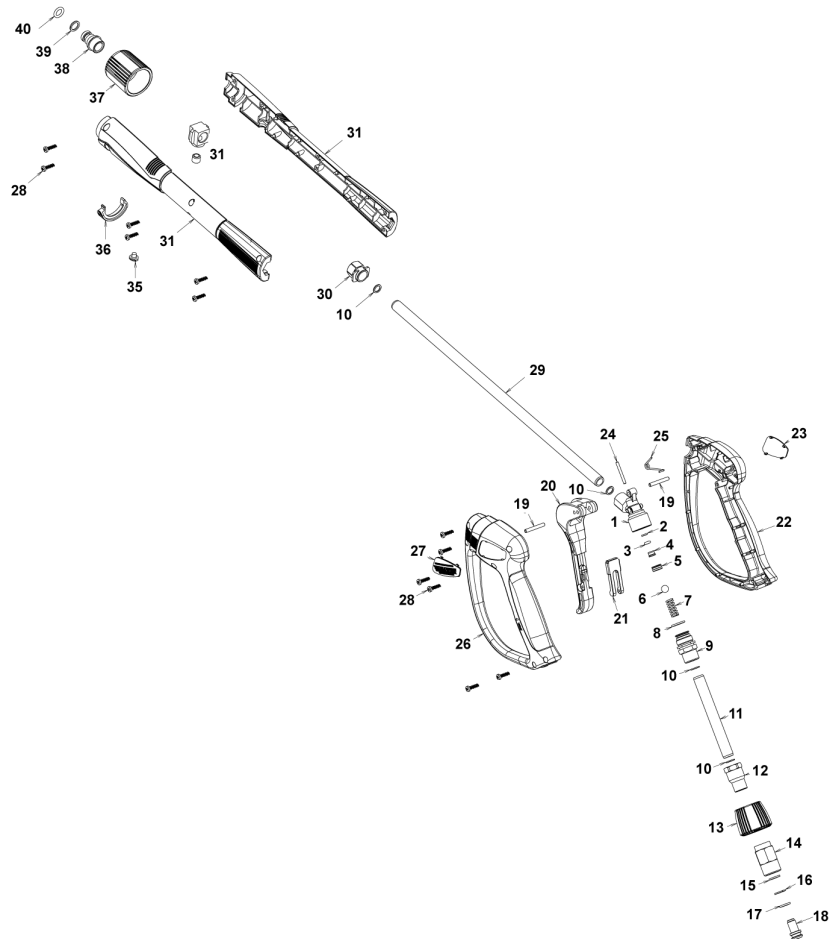
Ref.	K	Part N.	Customer Part N.	Description	Qty	Validity: From To	Price
0001		RCDS21120		RING NUT M 26 X 1,5	2,00		--
0002		GUGO21222		O-RING D. 15.54 X 2.62 VIT 80SH	2,00		--
0003		GUVR21021		ANTI-EXTR.RING D. 21 X17 TEF.	2,00		--
0004		LAFN44149		BOILER BOTTOM P176	1,00		--
0005		ITTE44175		BOTTOM P176 C.TE	1,00		--
0006		LAFN40733		BAND P176-H28 INX	1,00		--
0007		LAFN40037		RING D.342 P176 ZN 2V.CPL.	1,00		--
0008		LAGR40044		DOUBLE COIL M26X1.5 P176 30MT. SP.2.9	1,00		--
0009		LASL40101		INT. CYLINDER PM INX	1,00		--
0010		LAFN40753		EXT. CYLINDER PM-H100 INX	1,00		--
0011		LAFN40757		BOILER COVER SIPM-H100.30 INX	1,00		--
0012		LAFN40270		BOILER COVER SEPM INX	1,00		--
0013		LAFN44244		BAFFLE P176 30M INX	1,00		--
0014		LAFN40271		PIN CH.10 X 67.7 M5M/M5M PM	3,00		--
0015		MFVR18226		ELECTR.HOLDER FUT 3°V	1,00		--
0016		LAFN07641		PLATE INX	1,00		--
0017		MECA12525		ELECTRODE FUT	1,00		--
0018		UGBR22576		BURNER NOZZLE 1.35 60 S	1,00		--
0019		RCDS07642		NOZZLE HOLDER FUT	1,00		--
0020		MPVR18228		OIL WARN-LIGHT D.17 X3	1,00		--
0021		VTAE22633		SEEGER 0.4 X18.30X10,5	1,00		--
0022		RCVR08954		ELBOW 1/8"-4 B5	1,00		--
0023		MECB46130		CABLE DLT L=1100	1,00		--
0024		MECV35335		CABLE A.T. 9,8-23KOHM/M L= 500P	2,00		--
0025		TBCO40069		DIESEL HOSE PW-H100 30M D. 4 IX	1,00		--
0026		MPVR88426		CONVEYOR P190 PA6 BK.	1,00		--



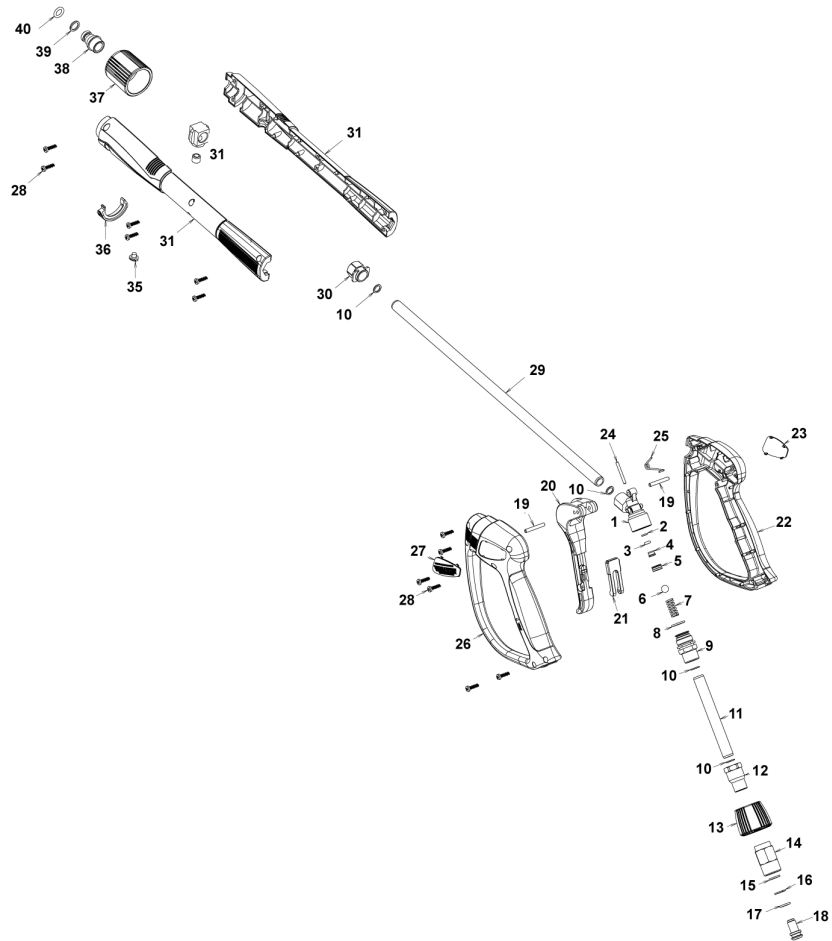
Ref. K	Part N.	Customer Part N.	Description	Qty	Validity:		Price
					From	To	
0001	LAFN10272		MOTOR PLATE CB 3	1,00			--
0002	MOMB40009		BURNER MOTOR 230-50 IPX5 180W AO/C	1,00			--
0003	MPVR40665		SCROLL CB4 -2PZ.GR.	1,00	11/2015		--
0004	VEVR34275		IMPELLER D.160-80 D.12.7 36P B.SX	1,00			--
0005	PPGS40005		FUEL PUMP DNF BFA 01L3R2	1,00			--
0006	FGGT36513		JOINT HP 0.25 AACO	1,00			--
0007	GUGO40062		GASKET PW-H100 MOT.BR.	1,00			--
0008	RCDS00626		HOSE FITTING 1/4 M D. 5- 7	2,00			--
0009	VTRS04931		WASHER COPPER D.13X19X1.5	2,00			--
0010	RCVR14014		BI-CONE CONNEC.DTT 1/8"M B1 D. 2/ 4 NIK	1,00			--
0011	FTCO40003		FUEL FILTER FB 7/TA 60mc NYL.	1,00		02/2016	--
0011	FTCO40004		FUEL FILTER FB 7/T 60mc NYL.	1,00	02/2016		--
0012	TBCO06945		L.P. HOSE D. 6-12 10BAR C.PRESS	0,11			--
0012	TBCO06945		L.P. HOSE D. 6-12 10BAR C.PRESS	1,00			--
0012	TBCO06945		L.P. HOSE D. 6-12 10BAR C.PRESS	1,22			--
0013	FSVR11197		CLAMP D.I. 11 13315	2,00			--
0014	FSVR00427		CLAMP D. 12 CLIC 66-110	6,00			--
0015	GUGO88425		GASKET P245 EPDM	1,00			--
0016	MPVR40766		CONVEYOR CB4-H100 PA6	1,00			--
0017	MECB34463		CABLE BT L=800 SP.	1,00			--
0018	RCVR40113		HOSE FITTING 1/8 M D. 5- 7 NIK	3,00			--



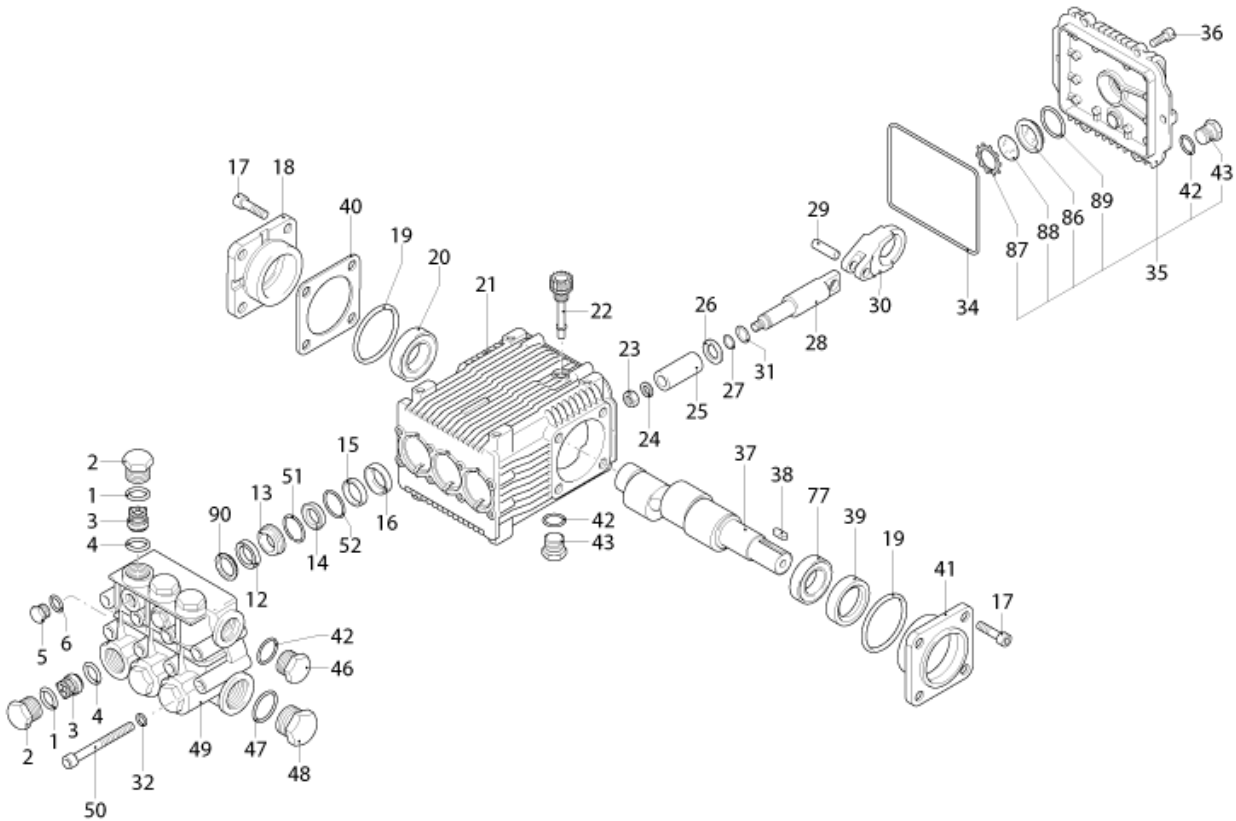
Ref.	K	Part N.	Customer Part N.	Description	Qty	Validity:		Price
						From	To	
F		MEVR00237		FUSE 5X20 3,15A	1,00			--
K		METT40019		CONTACTOR SIE 3RT 2025-1AC20 24V	1,00			--
EC		MECE40024		PCB PW-H35 TSI+CO+VRT MST-H	1,00			--
EV		MEBE43704		COIL DNF 24-50	1,00			--
IG		MECI40017		COMMUTAT.SWITCH0-1-2 UN.	1,00			--
TA		METR88630		TRANSFORMER 23/240V-5/60HZ 2X26KV TR.	1,00			--
TH		METK40011		THERMOSTAT 0-150° L=1500 F&C	1,00	01/2016		--
TR		METR40012		TRANSFORMER 25VA 230-400/24 5/60HZ FS	1,00			--
TS		METK34839		THERMOSTAT 60°C TR/711-N C.1.5	1,00	01/2016		--
CV1		MECB17414		CABLE H07 RNF 4X2.5 L=6.500	1,00			--
P1,2		MEPF76254		PRESSURE SWITCHPR 5 1/4M 25BAR	2,00			--



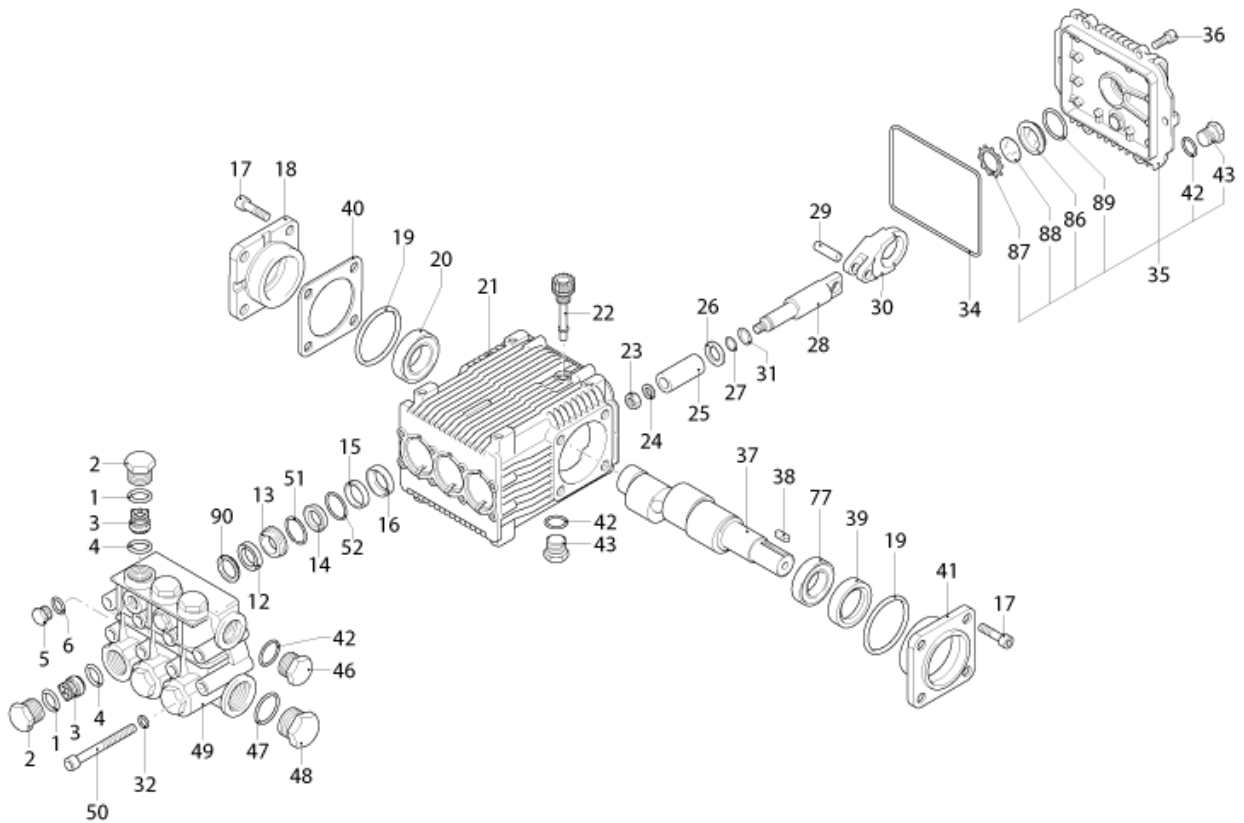
Ref.	K	Part N.	Customer Part N.	Description	Qty	Validity: From To	Price
0001		PVVR40381		GUN BODY G 5100 G1/4F	1,00		--
0002	S	GUVR40074		ANTI-EXTR.RING D. 3 X 7.4X1.3	1,00		--
0003	S	GUGO21835		O-RING D. 2.84 X 2.62 VIT. 80SH	1,00		--
0004		PVVR40382		PISTON GUIDE G 5100	1,00		--
0005	S	PVVR40112		BALL SEAT G 5000	1,00		--
0006	S	SFVR40002		BALL D.11/32" ALL.GR16	1,00		--
0007		MLML40016		SPRING D. 9.4 x21.5x1.6 G5000	1,00		--
0008		GUGO12322		O-RING D. 14 X 1.78 NBR 90SH	1,00		--
0009		PVVR40383		CONNECTOR COLL.G5100 1/4F	1,00		--
0010		VTRS40017		WASHER D. 8,2X11,4X1,00	4,00		--
0011		PVVR40384		TUBE G 1/4" L.105	1,00		--
0012		RCIN40022		CONNECTOR SWIV G5100 1/4F	1,00		--
0013		MPVR40819		RING NUT G 5100 SW. BK.	1,00		--
0014		RCIN40021		JOINT SWIV 5100 M22	1,00		--
0015	S	GUVR40075		ANTI-EXTR.RING D. 10 X14X1.5	1,00		--
0016	S	GUVR40076		ANTI-EXTR.RING D. 11.2X14X1.2	1,00		--
0017	S	GUGO15295		O-RING D. 10.82 X 1.78 VIT 80SH	1,00		--
0018		PVVR40386		SCREW SW. G 5100	1,00		--
0019		VTVR40047		PLUG D. 4X29	2,00		--
0020		MPVR40820		TRIGGER G 6000-SW	1,00		--
0021		MPVR40821		SAFETY-DEVICE G 6000-SW	1,00		--
0022		MPVR40822		SHELL G 6000-SW DX	1,00		--
0023		MPVR40823		PLATE G 6000 GR.DX	1,00		--
0024		PVVR40387		SMALL PISTON G 5100	1,00		--
0025		MLML40029		SPRING G 5100	1,00		--
0026		MPVR40824		SHELL G 6000-SW SX	1,00		--
0027		MPVR40825		PLATE G 6000 GR.SX	1,00		--
0028		VTVT40043		SCREW AF 4X 14 HILO ZN.N	12,00		--
0029		LCPR40086		TUBE 1/4 L=420 ZC. 0°	1,00		--
0030		MPVR40493		CONNECTOR G 5100-SW	1,00		--
0031		MPVR40494		PROTECTION P 420 C/AN.	1,00		--
0035		MPVR40198		CAP G 5000	1,00		--
0036		MPVR40495		CAP G 5100 REM.	1,00		--
0037		PVVR40119		CONNECTION M22X1,5 IRV G5000	1,00		--
0038		RCIN40009		GUDGEON G 1/4 F IRV G5000	1,00		--
0039		GUVR40034		ANTI-EXTR.RING D. 10 X14	1,00		--
0040		GUGO01946		O-RING D. 9.13 X 2.62 VIT 70SH	1,00		--



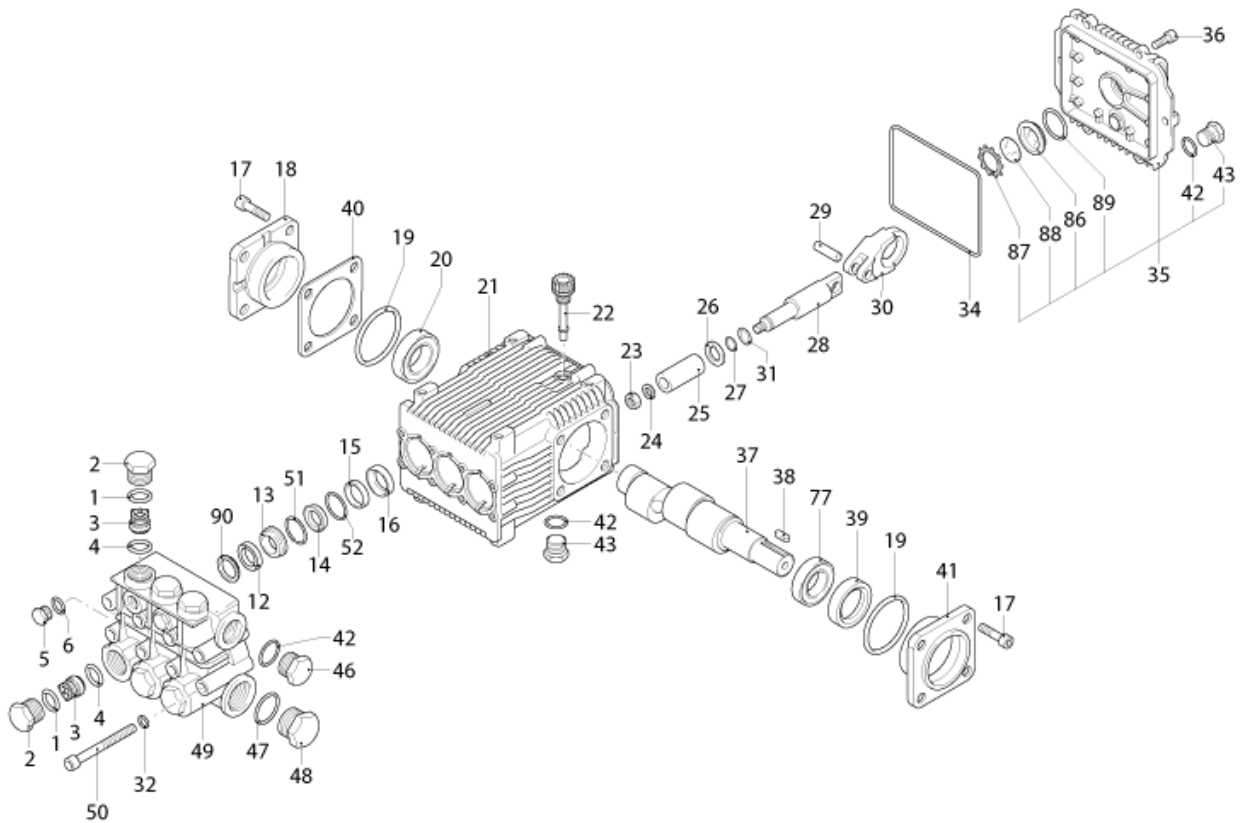
Ref. Part N.	Cust. Part N.	Description	Reference	Price
KTRI40243	KIT P	26- 26 SWIVEL G 5100	0015 0016 0017	--
KTRI40414	KIT P	26- 34 G 6000	0002 0003 0005 0006	--



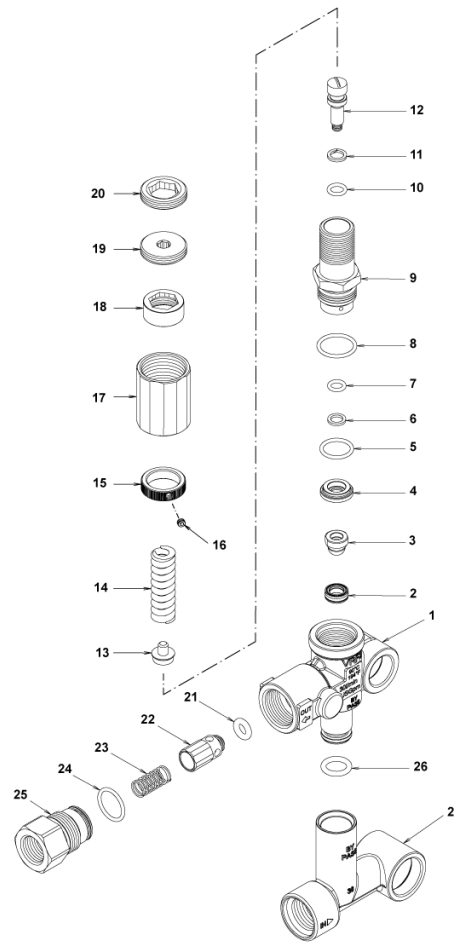
Ref.	K	Part N.	Customer Part N.	Description	Qty	Validity:		Price
						From	To	
0001		GUGO03502		O-RING D. 17.86 X 2.62 NBR 70SH	6,00			--
0002		PVVR40161		CAP AR RR	6,00			--
0003	S	GUGO40003		GASKET CB4	6,00			--
0004	S	GUGO02259		O-RING D. 15.54 X 2.62 NBR 70SH	6,00			--
0005		PVVR40129		CAP 1/4 M RC	2,00			--
0006		GUGO01036		O-RING D. 10.82 X 1.78 NBR 70SH	2,00			--
0012	S	GUVR40045		PACKING D. 18 RW H.P.	3,00			--
0013	S	PVVR40238		INTERMED. RING D.18 RK	3,00			--
0014	S	GUVR40056		PACKING D.18 RK	3,00			--
0015	S	PVVR40239		SPACER D. 35 RK	3,00			--
0016	S	GUGO40022		OIL SEAL RK	3,00			--
0017		VTVT01118		SCREW TCEI M 8X16 ZC. UNI 5931	8,00			--
0018		MFVR40038		CRANKCASE COVER AR RK LT.	1,00			--
0019	S	GUGO01053		O-RING D. 60 X 2.62 NBR 70SH	2,00			--
0020		CUVR40011		BEARING 30304 DQ	1,00			--
0021		MFVR40039		PUMP CRANKCASE AR RK	1,00			--
0022		PVVR19231		OIL CAP XTS	1,00			--
0023		VTDD00483		NUT M 8 ZIN UNI 5588	3,00			--
0024		VTRS19394		WASHER D. 8X13X0.5	3,00			--
0025	S	PIVR40012		PISTON D.18X40 RK	3,00			--
0026		PVVR40218		DISC RK	3,00			--
0027		GUGO08071		O-RING D. 4.48 X 1.78 NBR 70SH	3,00			--
0028		PVVR40217		PISTON GUIDE RK	3,00			--
0029		PVVR40211		GUDGEON D. 10X25 RK	3,00			--
0030		BLVR40005		CONNECTING ROD RK	3,00			--
0031		GUVR40044		ANTI-EXTR.RING D. 5 X 8 X 1	3,00			--
0032		VTRS00504		WASHER D. 8 TE ZC. UNI 6592	8,00			--
0034	S	GUGO40023		O-RING D. 106 X 3 NBR 70SH	1,00			--
0035		MFVR40041		CRANKCASE COVER AR RK	1,00			--
0036		VTVT01114		SCREW TCEI 6X14 UNI 5931	6,00			--
0037		ALMO40019		SHAFT AR RK18.16 NC	1,00			--
0038		VTVR41531		KEY 8X 7X35 UNI 6604A	1,00			--
0039	S	GUGO01245		OIL SEAL 25X 45X10-L.CM -NBR70	1,00			--
0040		PVVR40214		THICKNESS AR 0.20 mm	1,00			--
0041		MFVR40040		CRANKCASE COVER AR RK LAT. OPEN	1,00			--
0042		GUGO09720		O-RING D. 14 X 1.78 NBR 70SH	3,00			--
0043		PVVR40099		CAP 3/8 M HRM	1,00			--
0046		PVVR40099		CAP 3/8 M HRM	1,00			--
0047		GUGO19245		O-RING D. 17.5 X 2 NBR 70SH	1,00			--



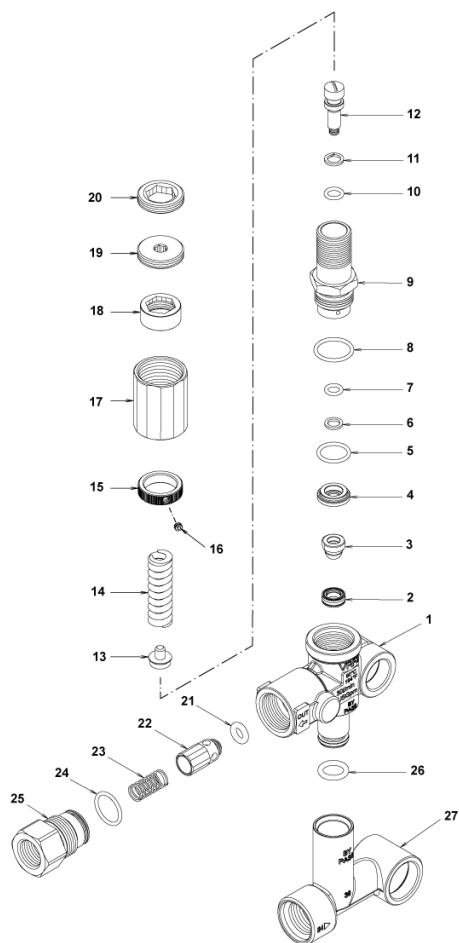
Ref.	K	Part N.	Customer Part N.	Description	Qty	Validity:		Price
						From	To	
0048		PVVR40121		CAP 1/2 M RC	1,00			--
0049		MFVR40049		HEAD AR RK 15.25	1,00			--
0050		VTVT37530		SCREW TCEI M 8X70 UNI 5931	8,00			--
0051	S	GUGO09699		O-RING D. 18.77 X 1.78 NBR 70SH	3,00			--
0052	S	GUGO01039		O-RING D. 31.47 X 1.78 NBR 70SH	3,00			--
0077		CUVR66788		BEARING D.25X52X16,25 30205 SKF	1,00			--
0086		PVVR19238		OIL INDICATOR XTS	1,00			--
0087		VTAE19239		SEEGER 0,5 X25,35X16,0	1,00			--
0088		PVVR40199		DISC CONTRASTO POMPA RW	1,00			--
0089		GUGO19395		O-RING D. 20.24 X 2.62 NBR 70SH	1,00			--
0090	S	PVVR40182		HEAD RING D. 18 RW	3,00			--



Ref. Part N.	Cust. Part N.	Description	Reference	Price
KTRI40298		KIT P 15-42000 D.18 RK	0012 0013 0014 0015 0051 0052 0090	--
K A KTRI40142		KIT P 15-42909 RR	0003 0004	--
K B KTRI40169		KIT P 15-2500 RK	0025	--
K C KTRI40167		KIT P 15-1855 RK	0016 0019 0034 0039	--
K E KTRI40190		KIT P 15-42473 D.18 RK	0051 0052 0012 0014	--
K G KTRI40191		KIT P 15-1829 D.18 RK	0090	--



Ref.	K	Part N.	Customer Part N.	Description	Qty	Validity: From To	Price
0001		PVVR40362		VALVE BODY VRF2	1,00		--
0002	S	PVVR40363		VALVE SEAT MV124 +OR	1,00		--
0003	S	PVVR40364		COUPLING MV124	1,00		--
0004	S	PVVR40365		SPACER MV124	1,00		--
0005	S	GUGO12322		O-RING D. 14 X 1.78 NBR 90SH	1,00		--
0006	S	GUVR40072		ANTI-EXTR.RING D. 6.5X 9.4	1,00		--
0007	S	GUGO83861		O-RING D. 6.07 X 1.78 NBR 90SH	1,00		--
0008	S	GUGO24913		O-RING D. 17.17 X 1.78 NBR 90SH	1,00		--
0009	S	PVVR40388		CONNECTOR VRF2 RG.165 56A	1,00		--
0010	S	GUGO03500		O-RING D. 6.75 X 1.78 NBR 70SH	1,00		--
0011	S	GUVR40073		ANTI-EXTR.RING D. 7.1X10 X1.2 TBT	1,00		--
0012	S	PVVR40367		SMALL PISTON D.10 VRF2	1,00		--
0013	S	PVVR40368		SPRING PLATE MV124 25B	1,00		--
0014	S	MLML47987		SPRING D. 3.25X41.1 MV 625	1,00		--
0015	S	PVVR40369		RING NUT MV167.09	1,00		--
0016	S	VTVT89696		SCREW EI-ST 4X 4 UNI5927 ZC	1,00		--
0017	S	PVVR47989		CAP MV 625 REG.	1,00		--
0018	S	PVVR47990		RING NUT MV 625 REG.	1,00		--
0019	S	PVVR47991		REGISTER MV 625 REG.	1,00		--
0020	S	PVVR47992		CLAMP MV 625 REG.	1,00		--
0021	S	GUGO46053		O-RING D. 6 X 3 NBR 90SH	1,00		--
0022		PVVR40349		COUPLING VRT3	1,00		--
0023		MLML40026		SPRING VRT3	1,00		--
0024	S	GUGO12321		O-RING D. 15.6 X 1.78 NBR 90SH	1,00		--
0025		PVVR40350		CONNECTOR VRT3 G 3/8F	1,00		--
0026		GUGO11225		O-RING D. 10.78 X 2.62 NBR 70SH	1,00		--
0027		PVVR40373		CONNECTOR VRF2.24	1,00		--



Ref. Part N.	Cust. Part N.	Description	Reference	Price
KTRI40237	KIT P	14-104 SEAL VRF2	0002 0003 0005 0006 0007 0008 0010 0011 0021 0024	--
KTRI40256	KIT P	14-105 VRF2 Reg.	0002 0003 0004 0005 0006 0007 0008 0009 0010 0011 0012 0013 0014 0015 0016 0017 0018 0019 0020	--