



IPC Integrated Professional Cleaning

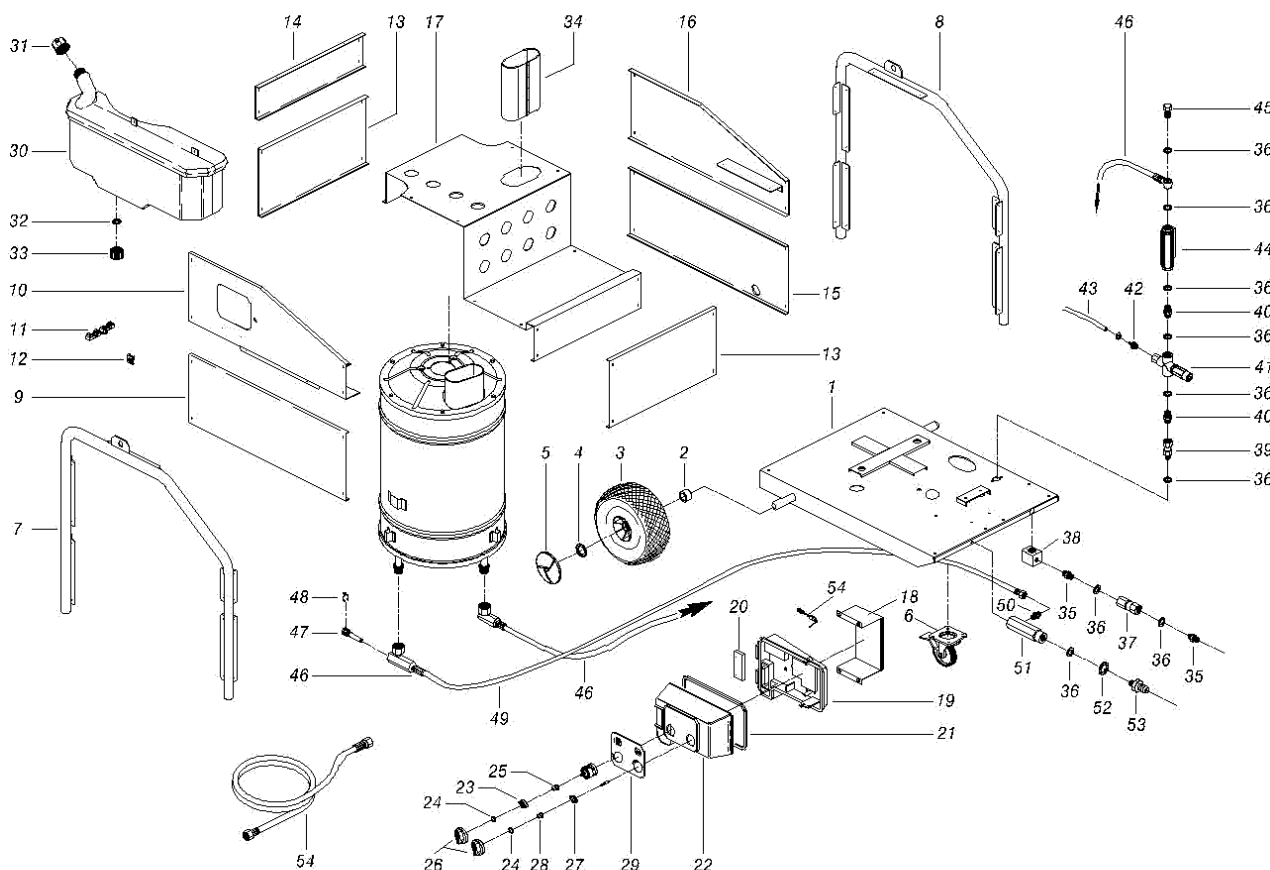
IPC Portotecnica

Spare Parts List

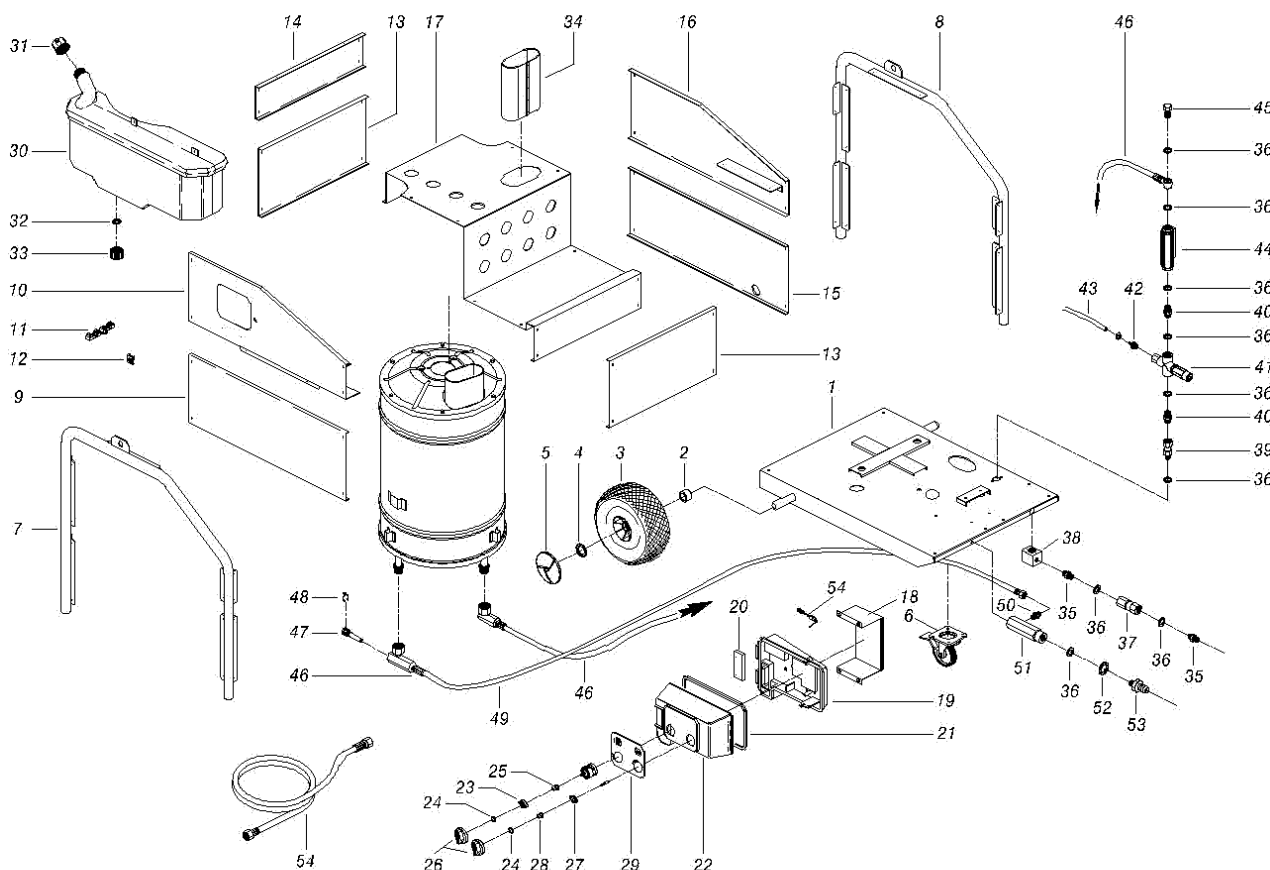
IPF ENGINEERING LTD

Ref: CDVE49716

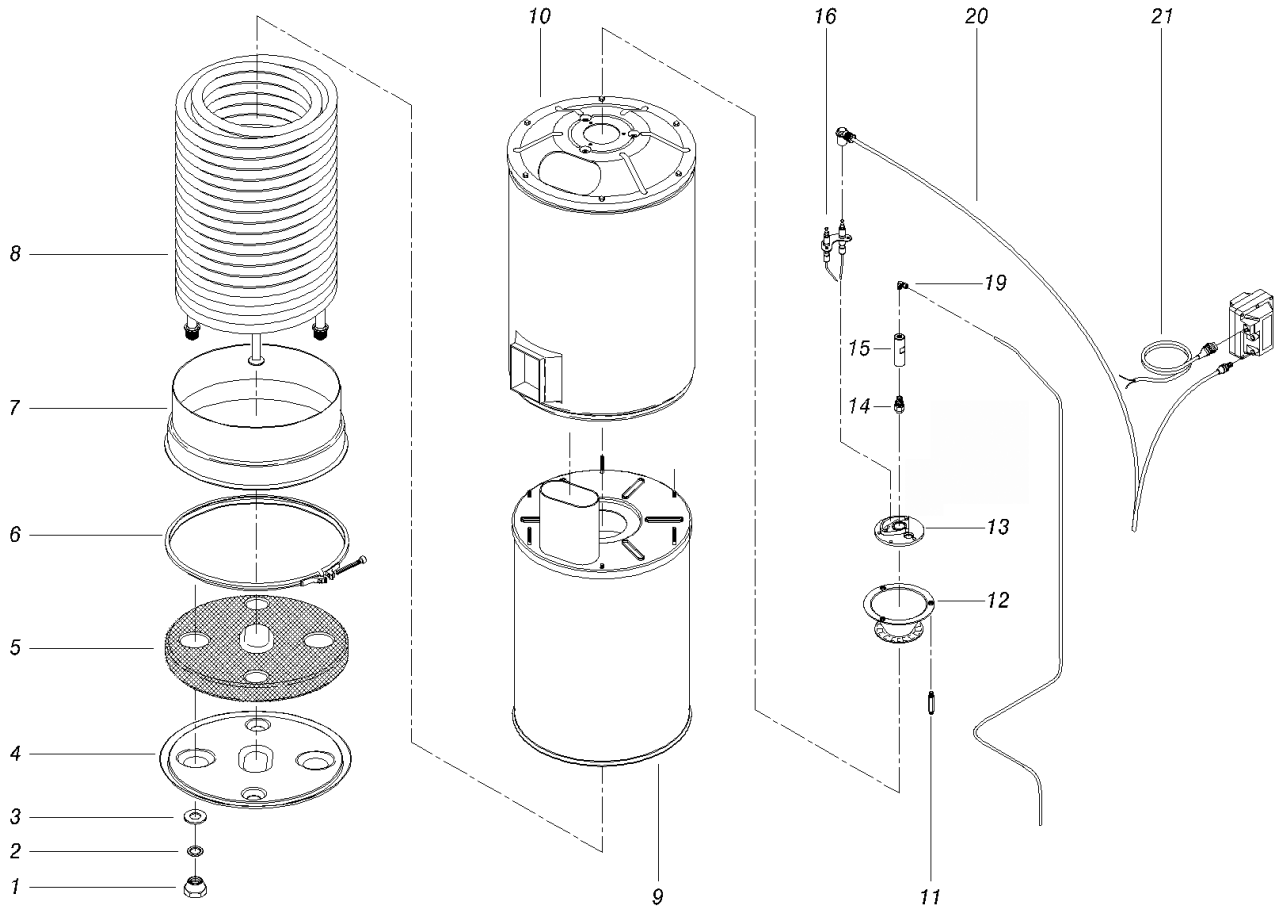
Model: CALDAIA FIRE BOX 40 M 230/50 3-08IPC



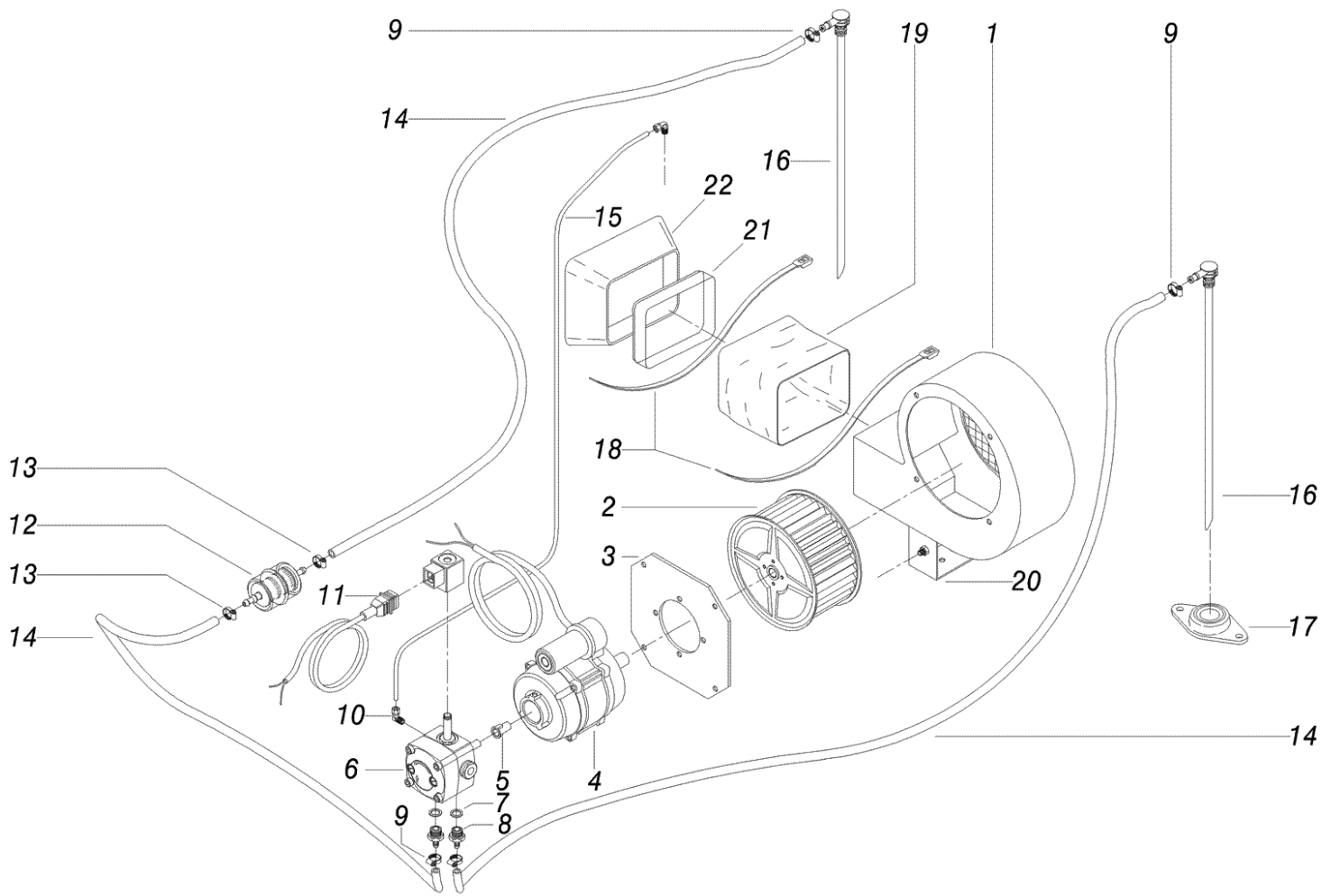
Ref.	K	Part N.	Customer Part N.	Description	Qty	Validity:		Price
						From	To	
0001		LAFN40009		CHASSIS FIRE BOX 30/40 2V.	1,00	09/2006		--
0001		LAFN45277		CHASSIS FIRE BOX 30/40	1,00		09/2006	--
0002		MPVR29447		SPACER D. 26-30 L=10 PVC	2,00			--
0003		RTRT30566		WHEEL D.250-D.25X 88 P. NYL	2,00		02/2008	--
0003		RTRT40002		WHEEL D.260 3.00-4 D.25 S.PI.NY	2,00	02/2008		--
0004		VTRS09813		WASHER D.25	2,00			--
0005		MPVR28995		GREY HUB CAP D. 110	2,00			--
0006		RTRT13708		TURNING WHEEL D.125 P. MZ.PLS	1,00			--
0007		LAFN45269		TUBULAR FRAME FIRE BOX 3/40 DX	1,00			--
0008		LAFN45271		TUBULAR FRAME FIRE BOX 3/40 SX	1,00			--
0009		LAFN45245		LAT. PANEL FIRE BOX 3/40 DX	1,00			--
0010		LAFN49859		LAT. PANEL F.BOX 3/40 SX GRY	1,00			--
0011		MEVR20906		CABLE FASTNER KSM	1,00			--
0012		MEVR23548		CLIP KSM	2,00			--
0013		LAFN40105		SUPPORT BRACKETMST-F.BOX	1,00	05/2008		--
0013		LAFN45250		PANEL F.BOX 3/40 IF.BLK	1,00	09/2006		--
0013		LAFN45250		PANEL F.BOX 3/40 IF.BLK	2,00		09/2006	--
0013		LAFN40015		ANT. PANEL F.BOX 3/40 IF.BLK	1,00	09/2006		--
0014		LAFN49861		BACK PANEL F.BOX 3/40 SP.GRY	1,00			--
0015		LAFN45243		LAT. PANEL FIRE BOX 3/40 SX	1,00			--
0016		LAFN49858		LAT. PANEL F.BOX 3/40 DX GRY	1,00			--
0017		LAFN49862		COVER FIRE BOX 30/40 GRY	1,00			--
0018		LAFN49860		SUPPORT F.BOX 3/40 GRY	1,00			--
0019		MPVR45278		CONTROL BOX FIRE BOX 30/40 PP	1,00	05/2008		--
0020		MPVR27097		CABLE CLAMP COVMTH	1,00	05/2008		--
0021		GUGO11309		JOINT MOUSSE D. 3	0,90	05/2008		--
0022		MPVR45272		BOX COVER F.BOX 3/40	1,00	05/2008		--
0023		MPVR23487		THICKNESS THERM. - INT. TUV	1,00	05/2008		--
0024		GUGO25527		O-RING D. 14 X 3 NBR 70SH	2,00	05/2008		--
0025		MPVR23482		TAIL PIECE TEC. TUV	1,00	05/2008		--
0026		MPVR25533		GREY KNOB PRT-AC	2,00	05/2008		--
0027		MPVR41903		THICKNESS TERM.IM.PA66	1,00	05/2008		--
0028		MPVR23484		TAIL PIECE THERM.KSM TUV	1,00	05/2008		--
0029		ETET45286		LABEL FIRE BOX 30/40 PVC R	1,00			--
0030		MPVR47226		FUEL TANK FUT.2 PEHD.NT	1,00	07/2002		--
0031		MPVR11192		TANK CAP FLL	1,00			--
0032		GUGO11489		GASKET D.22X1,5	1,00			--
0033		PVVR11806		DISCHARGE CAP FLL	1,00			--
0035		RCDS21480		NIPPLE 3/8 - 3/8 SV S.OR	2,00			--



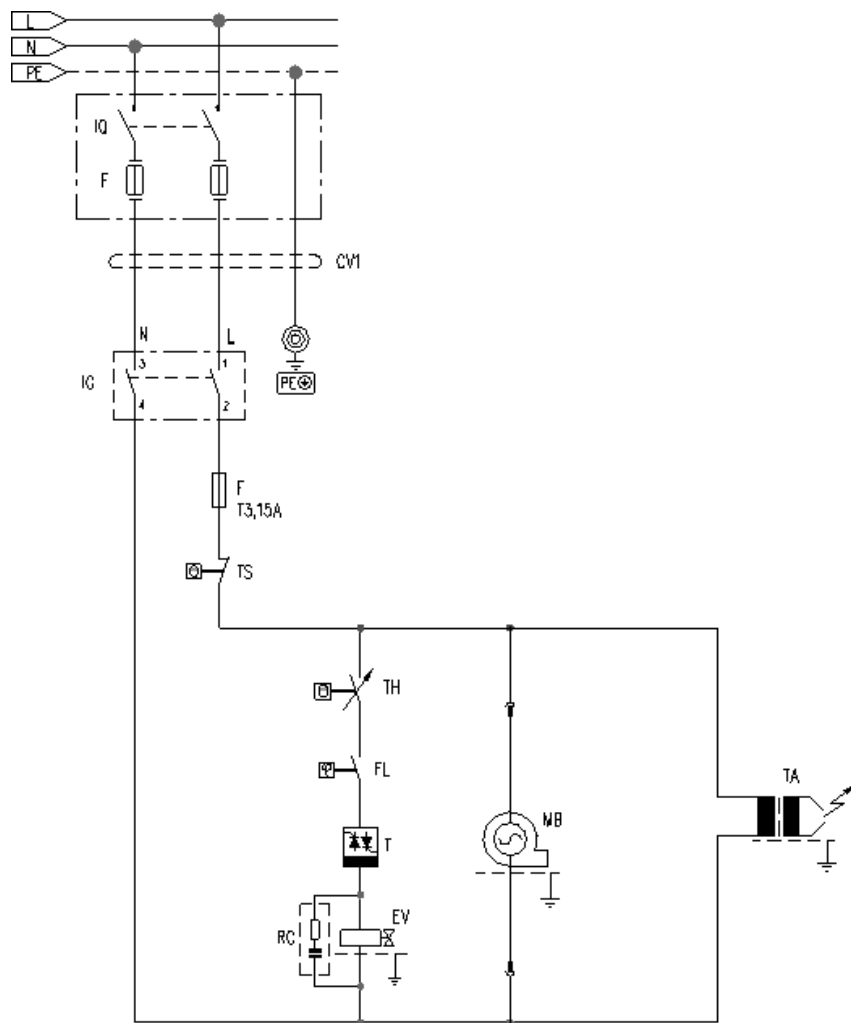
Ref.	K	Part N.	Customer Part N.	Description	Qty	Validity:		Price
						From	To	
0036		VTRS00548		WASHER D.17,5X23X1,5 (3/8)RM	2,00			--
0037		VVSF44212		VALVE N/RT 3/8 F/F AL.303	1,00			--
0038		RCDS39897		BLOCK 3VIE 3/8 F/F 1/2F	1,00			--
0039		RCVR00563		SWIVEL RACCORD 3/8 M/F	1,00			--
0040		RCDS00610		NIPPLE 3/8 - 3/8 SV	2,00			--
0041		VVSC40006		VALVE MR 402 2X G3/8 F	1,00	06/2010		--
0041		VVSC40541		VALVE VS 220 2 G3/8 F	1,00		06/2010	--
0042		RCDS03514		HOSE FITTING 3/8 M D. 5- 7	1,00			--
0043		TBBP04917		L.P. HOSE D. 6- 9	0,15		04/2012	--
0043		TBBP93804		L.P. HOSE D. 6- 9	0,15	05/2012		--
0044		MEPF45199		FLOW SWITCH MV60	1,00	05/2008		--
0045		RCDS01371		SCREW G 3/8 A.P.	1,00			--
0046		TBAP29050		HOSE-FITTING 5/16 R2 L2310 3/8F -3/8F	1,00			--
0046		TBAP45819		HOSE-FITTING 3/ 8 R2 L=680 3/8O-1/2PMG	1,00	11/2001		--
0047		RCDS00593		SUMP IM 0-120 L=50	1,00	11/2001		--
0048		MLML02623		SPRING IMT	1,00	11/2001		--
0049		TBAP20183		HOSE-FITTING 3/ 8 R2 L=310 3/8F0°-PM26	1,00		09/2006	--
0049		TBAP40001		HOSE-FITTING 3/ 8 R2 L=480 3/8F90°-PM26	1,00	09/2006		--
0050		RCDS20186		NIPPLE 3/8 - 14X1,5 SV	1,00			--
0051		RCDS19322		BLOC BODY 3/8F-M14	1,00			--
0052		VTRS22537		WASHER D. 16	1,00			--
0053		RCIN09348		MALE COUPLING 3/8MA L=32	1,00			--
0054		MEVR27264		FUSE-HOLDER 031-1081	1,00	05/2008		--



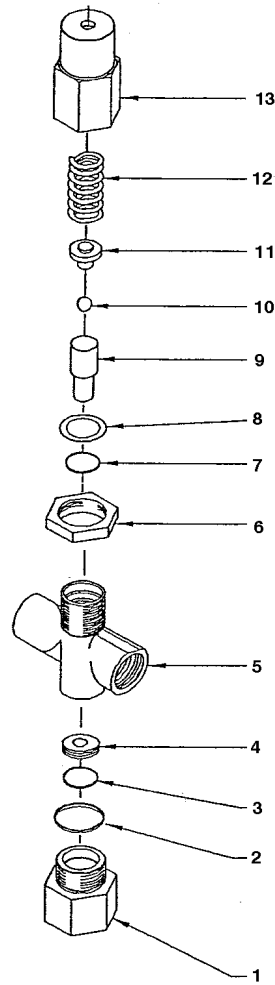
Ref.	K	Part N.	Customer Part N.	Description	Qty	Validity: From	To	Price
0001		RCDS21120		RING NUT M 26 X 1,5	2,00	08/2001		--
0002		GUVR21021		ANTI-EXTR.RING D. 21 X17 TEF.	2,00			--
0003		GUGO21222		O-RING D. 15.54 X 2.62 VIT 80SH	2,00			--
0004		LAFN44149		BOILER BOTTOM P176	1,00	11/2007		--
0005		ITTE44175		BOTTOM P176 C.TE	1,00	11/2007		--
0006		LAFN40037		RING D.342 P176 ZN 2V.CPL.	1,00	11/2007		--
0007		LAFN44151		BAND P176 INX	1,00	11/2007		--
0008		LAGR44873		DOUBLE COIL M26X1.5 P176 40MT.	1,00	11/2007		--
0009		LAFN46226		INT. CYLINDER P176 40.CP.INX	1,00	11/2007		--
0010		LAFN40035		EXT. CYLINDER P176-FR/2 40.CP.	1,00	11/2007		--
0010		LAFN46224		EXT. CYLINDER P176-FBX 40.CP.	1,00		10/2007	--
0011		LAFN44159		PIN CH.10 X 75.7 M5M/M5M P176	3,00	11/2007		--
0012		LAFN44244		BAFFLE P176 30M INX	1,00			--
0013		MFVR44251		ELECTR.HOLDER P176	1,00			--
0014		UGBR31344		BURNER NOZZLE 1.75 60 S	1,00			--
0015		RCDS07642		NOZZLE HOLDER FUT	1,00			--
0016		MECA12525		ELECTRODE FUT	1,00			--
0019		RCVR08954		ELBOW 1/8"-4 B5	1,00			--
0020		MECV35336		CABLE A.T. 9,8-23KOHM/M L= 750P	2,00	05/2008		--
0021		MECB34463		CABLE BT L=800 SP.	1,00	05/2008		--



Ref.	K	Part N.	Customer Part N.	Description	Qty	Validity:		Price
						From	To	
0001	LAFN39702			SCROLL CB4 -SLV	1,00		09/2007	--
0001	MPVR40010			SCROLL CB4 -2PZ.CP	1,00	10/2007		--
0002	VEVR34275			IMPELLER D.160-80 D.12.7 36P B.SX	1,00			--
0003	LAFN10272			MOTOR PLATE CB 3	1,00	04/2000		--
0004	MOMB34119			BURNER MOTOR 230-50 IP44 150W A.OR	1,00			--
0005	KTRI36516			KIT P 18- 9	1,00			--
0006	FTCO88927			FUEL FILTER S.AL	1,00	01/2005		--
0006	PPGS18240			FUEL PUMP DLT VM1LL25	1,00	09/2001	12/2004	--
0006	PPGS40005			FUEL PUMP DNF BFA 01L3R2	1,00	05/2008		--
0006	PPGS88592			FUEL PUMP DLT ALLUM. A1L2	1,00	01/2005	05/2008	--
0007	VTRS04931			WASHER COPPER D.13X19X1.5	2,00	09/2001		--
0008	RCDS00626			HOSE FITTING 1/4 M.D. 5- 7	2,00	09/2001		--
0009	FVSR00427			CLAMP D. 12 CLIC 66-110	2,00	09/2001		--
0010	RCVR08954			ELBOW 1/8"-4 B5	1,00			--
0011	MECB18118			CABLE DLT L=1.600	1,00	05/2008		--
0012	FTCO34840			FUEL FILTER FB 7/A NYL.	1,00		04/2010	--
0012	FTCO40003			FUEL FILTER FB 7/TA 60mc NYL.	1,00	04/2010		--
0013	FVSR11197			CLAMP D.I. 11 13315	2,00			--
0014	TBCO06945			L.P. HOSE D. 6-12 10BAR C.PRESS	0,50	09/2001		--
0015	TBCO45237			DIESEL HOSE D. 4 FIRE BOX 40	1,00			--
0016	RCDS11454			SUCTION L= 255 C	2,00	09/2001		--
0017	RCDS11455			FUEL SUCT. SUPPFL	2,00	09/2001		--
0018	FVSR01873			CLAMP LG 31920 9 X500	2,00		09/2007	--
0019	MPVR40014			CONVEYOR CB4-FBX PA6	1,00	10/2007		--
0020	LAFN40010			BRACKET CB4-FBX	1,00	10/2007		--
0020	GUVR37987			SLEEVE SLR H=225	1,00		09/2007	--
0021	GUGO20124			GASKET KSM	1,00	10/2007		--
0022	MPVR40013			CONVEYOR P176-FBX PA6 BK.	1,00	01/2010		--



Ref.	K	Part N.	Customer Part N.	Description	Qty	Validity:		Price
						From	To	
F		MEVR00237		FUSE 5X20 3,15A	1,00	05/2008		--
T		METY06856		TIMER SAS S10 230V 3SEC CID	1,00	05/2008		--
EV		MEBE18120		COIL DLT 220-50 S/CV.	1,00		12/2004	--
EV		MEBE43705		COIL DNF 220-50	1,00	05/2008		--
EV		MEBE49881		COIL DLT 220-50 NF84	1,00	01/2005	05/2008	--
IG		MECI01884		SWITCH TEC 12A HD1202 R000	1,00	05/2008	06/2012	--
IG		MECI40020		SWITCH BRM BP. 0-1 12A	1,00	07/2012		--
RC		MECE10037		RESISTANCE RC 0.22MF 1000 OHM	1,00	05/2008		--
TA		METR88630		TRANSFORMER 23/240V-5/60HZ 2X26KV TR.	1,00	05/2008		--
TH		METK40006		THERMOSTAT 0-150° L=1500 S&R	1,00	12/2010	12/2012	--
TH		METK40011		THERMOSTAT 0-150° L=1500 F&C	1,00	01/2013		--
TS		METK34839		THERMOSTAT 60°C TR/711-N C.1.5	1,00	11/2001	05/2003	--
TS		METK40007		THERMOSTAT 65°C NSP-040 PT RIPR.	1,00	04/2011		--
TS		METK49116		THERMOSTAT 65°C TG400 C.1.5 RIPR.	1,00	05/2008	04/2011	--
CV1		MECB27734		CABLE H07 RNF 3X1.5 L=6.500	1,00	05/2008		--



Ref. K	Part N.	Customer Part N.	Description	Qty	Validity:		Price
					From	To	
0001	RCVR61105		CONNECTOR VS 220	1,00			--
0002	GUGO03505		O-RING D. 15.6 X 1.78 NBR 70SH	1,00			--
0003	GUGO10800		O-RING D. 10 X 1 NBR 70SH	1,00			--
0004	PVVR61091		VALVE SEAT 4,5X12X4 MM	1,00			--
0005	PVVR61073		VALVE BODY VS 220	1,00			--
0006	VTDD33553		LOCKNUT M 24	1,00			--
0007	GUGO63424		O-RING D. 7.66	1,00			--
0008	GUVR11936		ANTI-EXTR.RING D. 8 X11 PA	1,00			--
0009	PVVR33551		PISTON PA	1,00			--
0010	SFVR61110		BALL VS 220	1,00			--
0011	PVVR61099		SUPPORT VS 220	1,00			--
0012	MLML61052		SPRING 170 B. VS 220	1,00			--
0013	PVVR61080		SLEEVE VS 220	1,00			--