

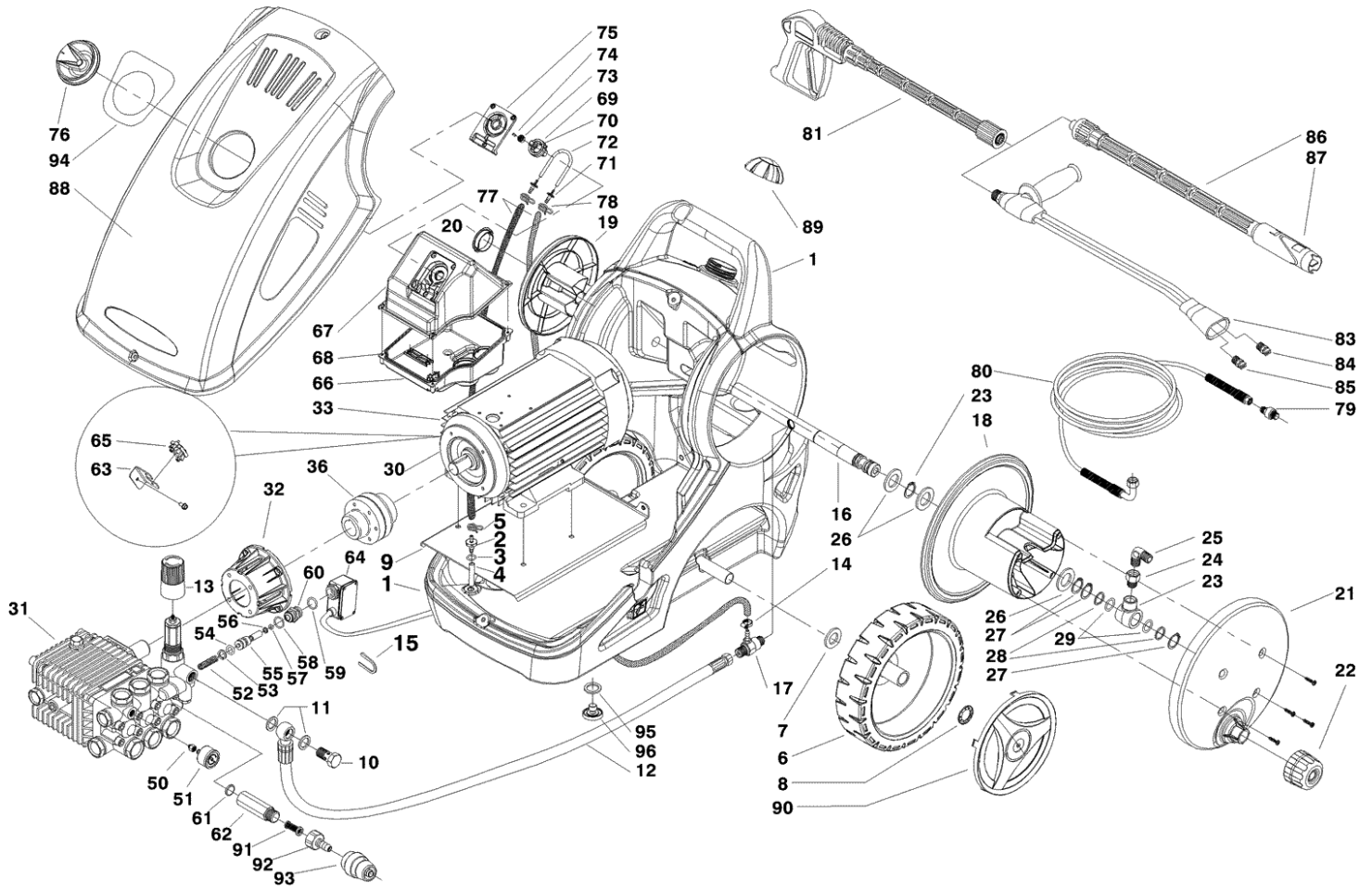


Spare Parts List

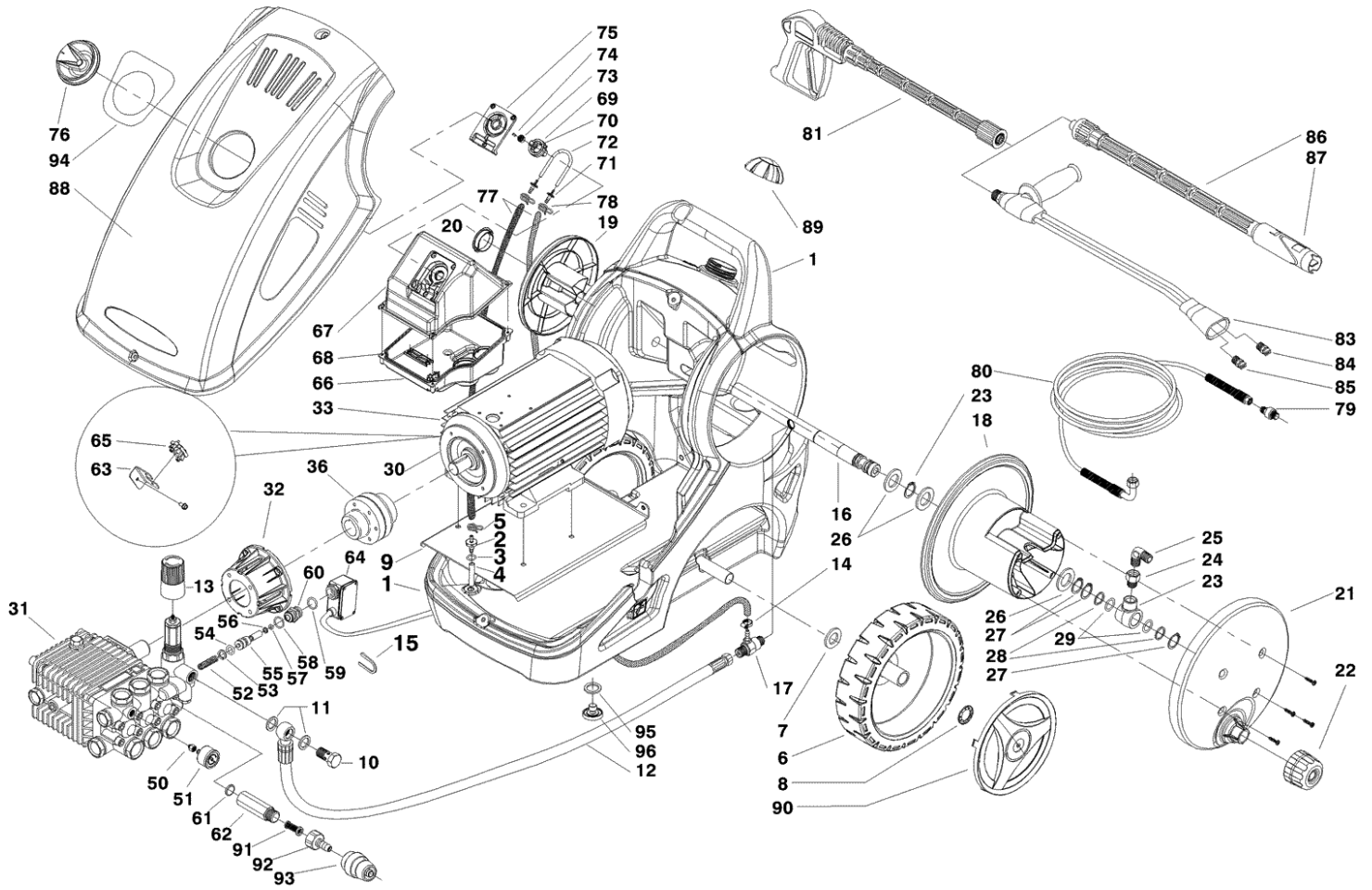
INTERPUMP FINLAND OY

Ref: IDAF89945

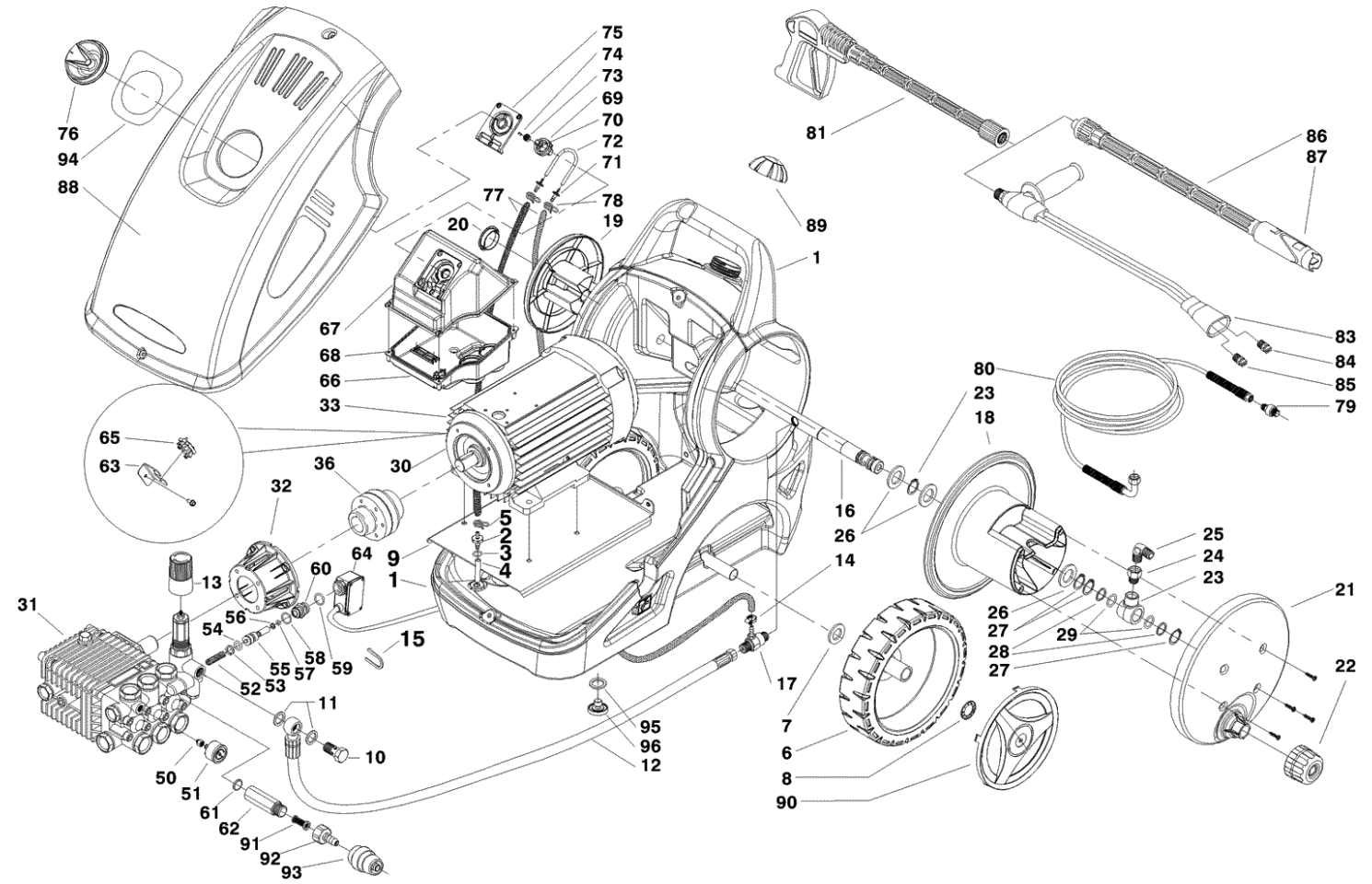
Model: IDROP EVOLUT.X3 PDS2660 T 400/50 3-01PRT



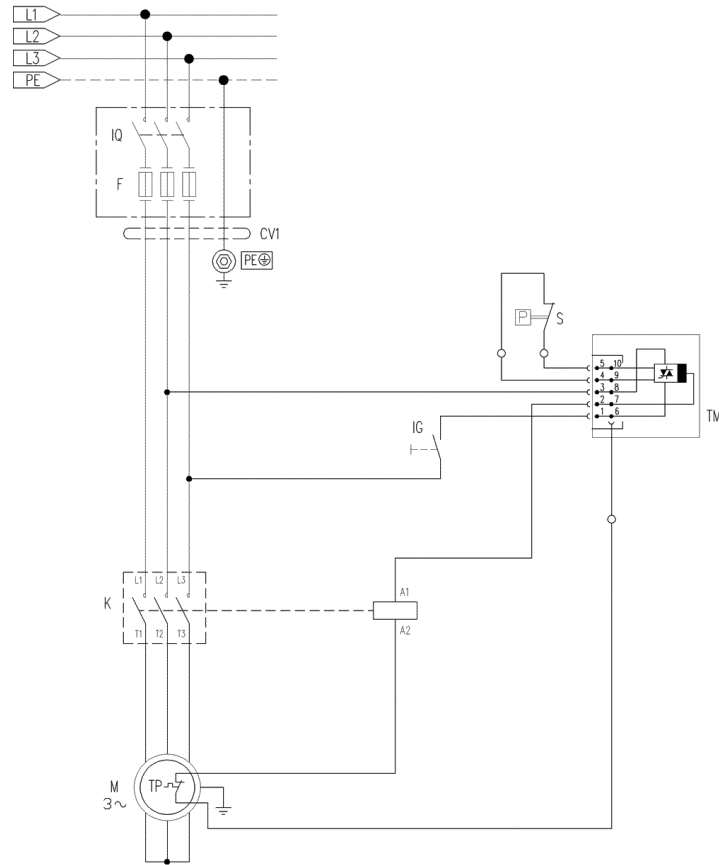
| Ref. | K | Part N. | Customer Part N. | Description | Qty | Validity: From | To | Price |
|------|---|-----------|------------------|--|------|----------------|----|-------|
| 0001 | | MPVR89898 | | CHASSIS P237- 6CV C.SB. PELD BK. | 1,00 | | | -- |
| 0002 | | RCDS88373 | | HOSE FITTING 1/8 M.D. 3- 7 | 1,00 | | | -- |
| 0003 | | GUGO01054 | | O-RING D. 15.08 X 2.62 NBR 70SH | 1,00 | | | -- |
| 0004 | | TBBP15347 | | L.P. HOSE D. 6- 8 RILSAN NT. | 0,08 | | | -- |
| 0005 | | FSVR72800 | | CLAMP D 8.3 - 8.8 | 1,00 | | | -- |
| 0006 | | RTRT45383 | | WHEEL D.305-D.25 RT-IPC | 2,00 | | | -- |
| 0007 | | VTRS73055 | | WASHER D.44x26x4 | 2,00 | | | -- |
| 0008 | | VTRS09813 | | WASHER D.25 | 2,00 | | | -- |
| 0009 | | LAFN89897 | | MOTOR SUPPORT P237 H.100 | 1,00 | | | -- |
| 0010 | | RCDS40002 | | SCREW G 3/8 L=34 | 1,00 | | | -- |
| 0011 | | VTRS00548 | | WASHER D.17,5X22X1,5 (3/8)RM | 2,00 | | | -- |
| 0012 | | TBAP40000 | | HOSE-FITTING 5/16 R1 L=600 1/2F90-3/8O | 1,00 | | | -- |
| 0013 | | PVVR18673 | | KNOB COLT | 1,00 | | | -- |
| 0014 | | FSVR00427 | | CLAMP D. 12 CLIC 66-110 | 1,00 | | | -- |
| 0015 | | LAFN37625 | | PLUG "U" T-STOP PRM INX | 1,00 | | | -- |
| 0016 | | LAFN89940 | | AXLE P237- 6CV 2PZ. | 1,00 | 10/2006 | | -- |
| 0017 | | EIDT40001 | | EJECTOR 1/2-1/4 M S/UG. P237-MV | 1,00 | 10/2006 | | -- |
| 0018 | | MPVR89766 | | DRUM P237 PPL BK. | 1,00 | 10/2006 | | -- |
| 0019 | | MPVR89777 | | CABLE SUPPORT P237 | 1,00 | | | -- |
| 0020 | | MPVR89776 | | CAP P237 A.CB. | 1,00 | | | -- |
| 0021 | | MPVR89765 | | COVER P237 PA6 BK. | 1,00 | | | -- |
| 0022 | | MPVR89764 | | HANDLE P237 PA6 | 1,00 | | | -- |
| 0023 | | RCDS89862 | | BLOCK PRT-P237 G3/8 OT. | 1,00 | 10/2006 | | -- |
| 0024 | | RCVR62626 | | SLEEVE 3/8 M/F L=30.5 | 1,00 | 10/2006 | | -- |
| 0025 | | RCVR40590 | | ELBOW 3/8" M A.P. OT.MTM | 1,00 | 10/2006 | | -- |
| 0026 | | VTRS04924 | | WASHER D.23X 39 | 3,00 | 10/2006 | | -- |
| 0027 | | VTAE33674 | | CIRCLIP D. 22 UNI 7435 | 4,00 | 10/2006 | | -- |
| 0028 | | GUVR37665 | | ANTI-EXTR.RING D.17.8X22 X1.5 PTFE | 2,00 | 10/2006 | | -- |
| 0029 | | GUGO01032 | | O-RING D. 17.13 X 2.62 NBR 70SH | 2,00 | 10/2006 | | -- |
| 0030 | | MOTR89900 | | 3PH MOTOR P237 HP 6 400-504P H100 | 1,00 | | | -- |
| 0031 | | PPAP45416 | | PUMP "63" EL1714V DX T.OT.H DS | 1,00 | | | -- |
| 0032 | | MFVR44328 | | COUNTERFLANGE H100 P176 | 1,00 | | | -- |
| 0036 | | FGGT45424 | | FLEX. COUPLING W 1 2PZ. P176 | 1,00 | | | -- |
| 0050 | | RCDS27782 | | REDUCTION 1/4-1/8 M-F | 1,00 | | | -- |
| 0051 | | MNMN18650 | | PRESSURE GAUGE 0-300 D.40 | 1,00 | | | -- |
| 0052 | | MLML39786 | | SPRING D. 7.5 X 37.5 INX | 1,00 | | | -- |
| 0053 | | GUVR01940 | | ANTI-EXTR.RING D. 9,5X14X1,5 | 1,00 | | | -- |
| 0054 | | GUGO28927 | | O-RING D. 9.13 X 2.62 NBR 70SH | 1,00 | | | -- |
| 0055 | | PVVR39690 | | CONTROL PISTON T-STOP "44" OT | 1,00 | | | -- |



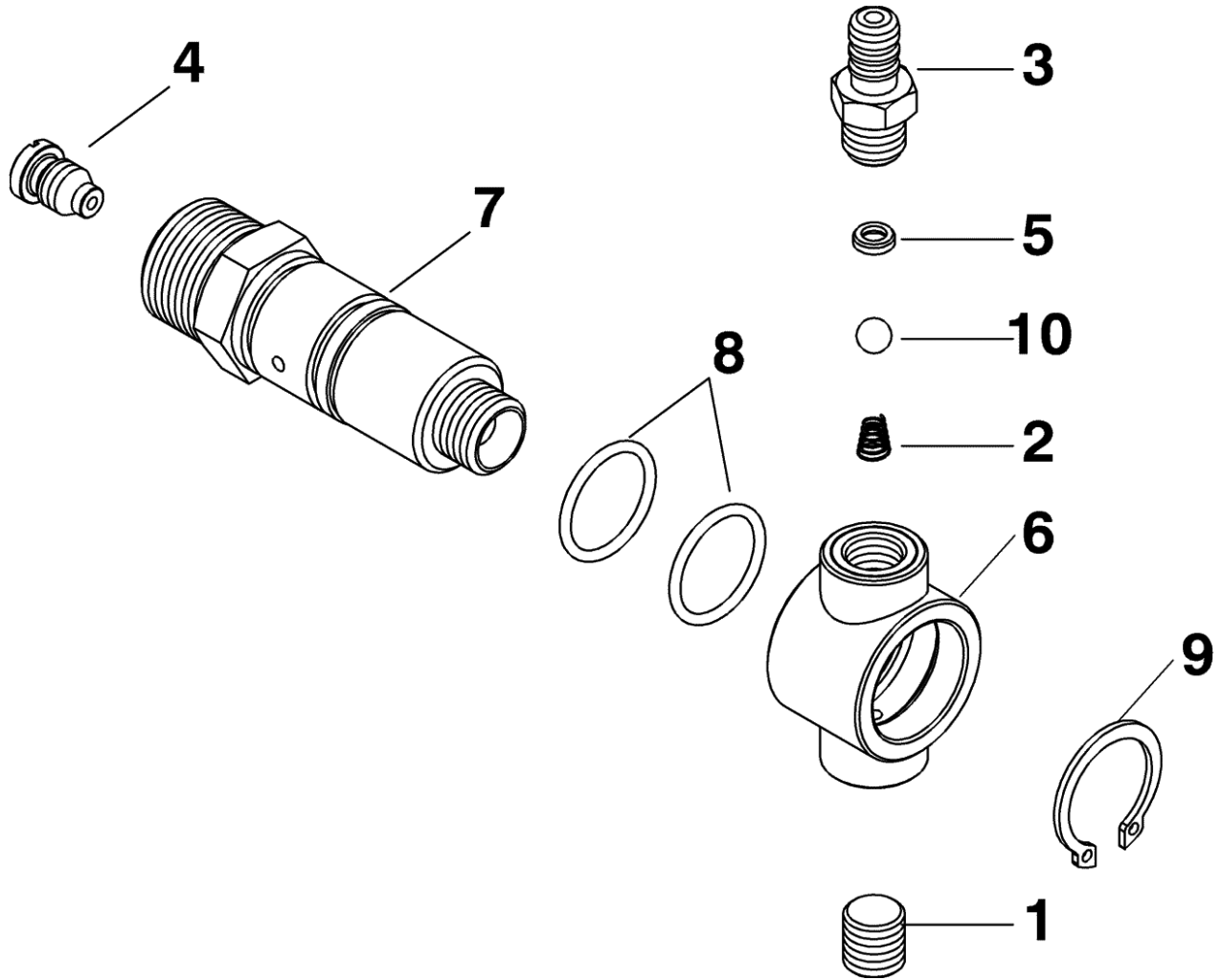
| Ref. | K | Part N. | Customer Part N. | Description | Qty | Validity: | | Price |
|------|---|-----------|------------------|--------------------------------------|------|-----------|----|-------|
| | | | | | | From | To | |
| 0056 | | GUVR37627 | | ANTI-EXTR.RING D. 5.2X 8 X1.5 | 1,00 | | | -- |
| 0057 | | GUGO08071 | | O-RING D. 4.48 X 1.78 NBR 70SH | 1,00 | | | -- |
| 0058 | | GUGO09720 | | O-RING D. 14 X 1.78 NBR 70SH | 1,00 | | | -- |
| 0059 | | GUGO06988 | | O-RING D. 7.66 X 1.78 NBR 70SH | 1,00 | | | -- |
| 0060 | | PVVR37626 | | PISTON GUIDE T-STOP PRM OT | 1,00 | | | -- |
| 0061 | | GUGO01032 | | O-RING D. 17.13 X 2.62 NBR 70SH | 1,00 | | | -- |
| 0062 | | RCDS18714 | | NIPPLE G 3/4 CLT | 1,00 | | | -- |
| 0063 | | LAFN89774 | | SUPPORT P237 ZC. | 1,00 | | | -- |
| 0064 | | MEPF39924 | | PRESSURE SWITCHSLV N.A. 16(6)A XGA 2 | 1,00 | | | -- |
| 0065 | | MEVR33994 | | CABLE FASTNER 4228 B D. 6- 18 | 1,00 | | | -- |
| 0066 | | MPVR89768 | | CONTROL BOX P237 PA6 BK. | 1,00 | | | -- |
| 0067 | | MPVR89767 | | BOX COVER P237 PA6 BK. | 1,00 | | | -- |
| 0068 | | GUGO11309 | | JOINT MOUSSE D. 3 | 0,80 | | | -- |
| 0069 | | MPVR89759 | | TAIL PIECE P237 INT. PA6 BK. | 1,00 | | | -- |
| 0070 | | GUGO01032 | | O-RING D. 17.13 X 2.62 NBR 70SH | 1,00 | 09/2006 | | -- |
| 0071 | | RCDS89761 | | HOSE FITTING PA6 D. 3.5-7 P237 | 2,00 | | | -- |
| 0072 | | TBBP89815 | | L.P. HOSE D. 4- 8.5 SILIC. NT. | 0,19 | | | -- |
| 0073 | | MPVR89760 | | ROLLER P237 PA6 BK. | 1,00 | | | -- |
| 0074 | | LAFN89793 | | PIN P237 INX | 1,00 | | | -- |
| 0075 | | MPVR89763 | | COVER P237 PA6 BK. | 1,00 | | | -- |
| 0076 | | MPVR89762 | | BLACK KNOB P237 PA6 | 1,00 | | | -- |
| 0077 | | TBBP04917 | | L.P. HOSE D. 6- 9 | 1,10 | | | -- |
| 0078 | | FSVR72803 | | CLAMP D 9.3 - 9.9 | 2,00 | | | -- |
| 0079 | | RCIN89882 | | CONNECTION G 1/2F +INN.G1/4M L.14.5 | 1,00 | | | -- |
| 0080 | | TBAP89859 | | H.P. HOSE R1 MT 15 5/16" 1/4F- 3/8F | 1,00 | | | -- |
| 0081 | | IPPR86137 | | GRIP ST 2300 - P 330 - M3/8 M | 1,00 | | | -- |
| 0082 | | RCIN73010 | | SCREW CLUTCH 3/8 F | 1,00 | | | -- |
| 0083 | | LCPR12982 | | DOUBLE EXTENS. PD 50 | 1,00 | | | -- |
| 0084 | | UGLN05174 | | NOZZLE 1/4 5040 OT | 1,00 | | | -- |
| 0085 | | UGLN49992 | | NOZZLE LECH 1/4 25045 | 1,00 | 02/2004 | | -- |
| 0086 | | LCPR89910 | | EXTENSION P 470 - R.MAX 150 AZ | 1,00 | | | -- |
| 0087 | | LCTE25021 | | HEAD ROTOMAX 150 | 1,00 | | | -- |
| 0088 | | MPVR89960 | | RED COVER P237- 6CV PP | 1,00 | | | -- |
| 0089 | | MPVR45426 | | TANK CAP P176 PEHD | 1,00 | | | -- |
| 0090 | | MPVR45384 | | RED WHEEL COVERD. 305 RT-PRT | 2,00 | | | -- |
| 0091 | | FTAC09717 | | FILTER D.15X37 | 1,00 | | | -- |
| 0092 | | RCVR29600 | | SOCKET PTC 3/4 F | 1,00 | | | -- |
| 0093 | | RCVR29602 | | CONNECTOR D. 1/2"-5/8" PTC | 1,00 | | | -- |
| 0094 | | ETET89890 | | LABEL P237-EV.X5 PLC | 1,00 | | | -- |



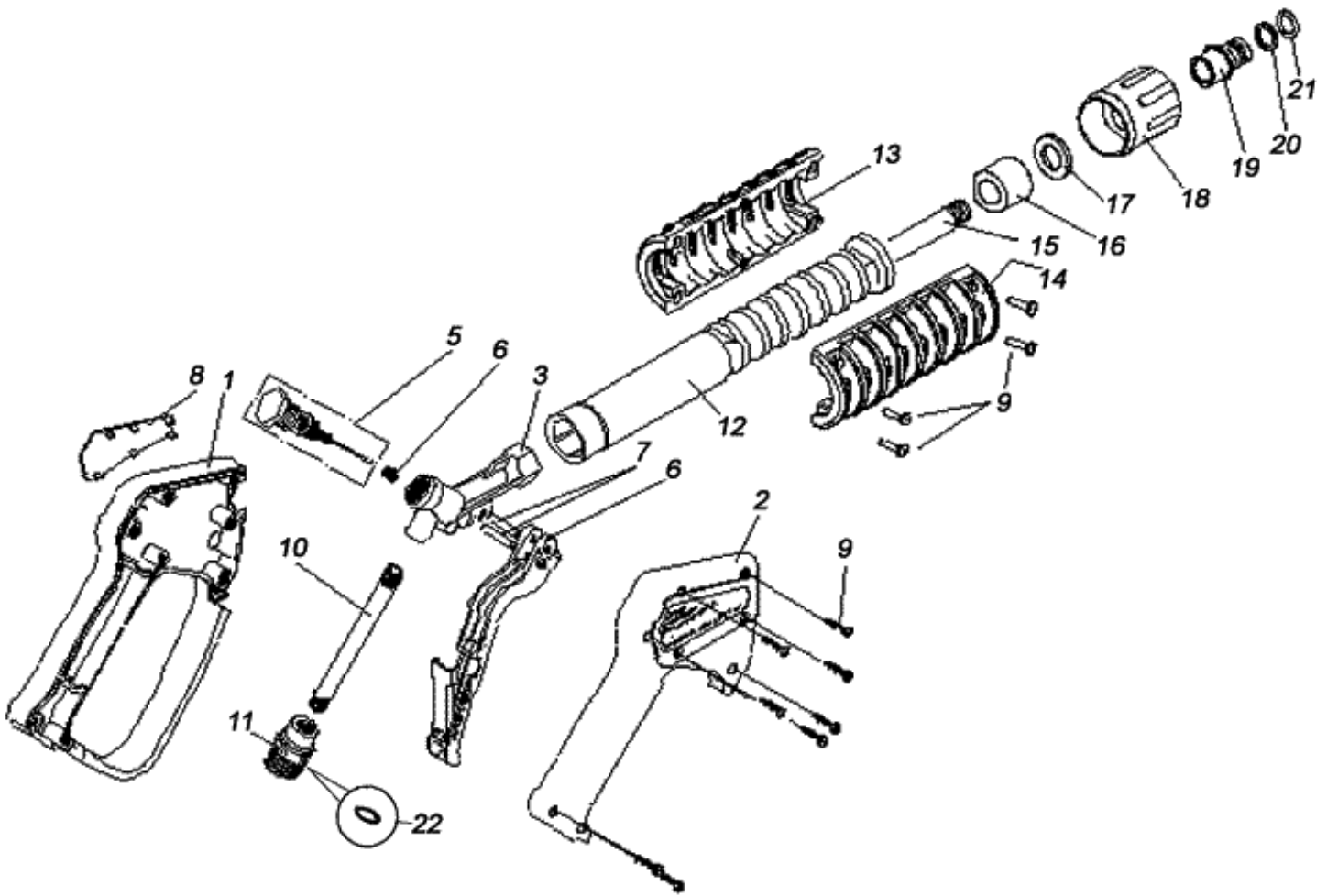
| Ref. | K | Part N. | Customer Part N. | Description | Qty | Validity: | | Price |
|------|---|-----------|------------------|---------------------------------|------|-----------|----|-------|
| | | | | | | From | To | |
| 0095 | | GUGO76542 | | O-RING D. 23.47 X 2.62 NBR 70SH | 1,00 | | | -- |
| 0096 | | RCDS89769 | | CAP M12X1 CH.6 H.20 OT. | 1,00 | | | -- |



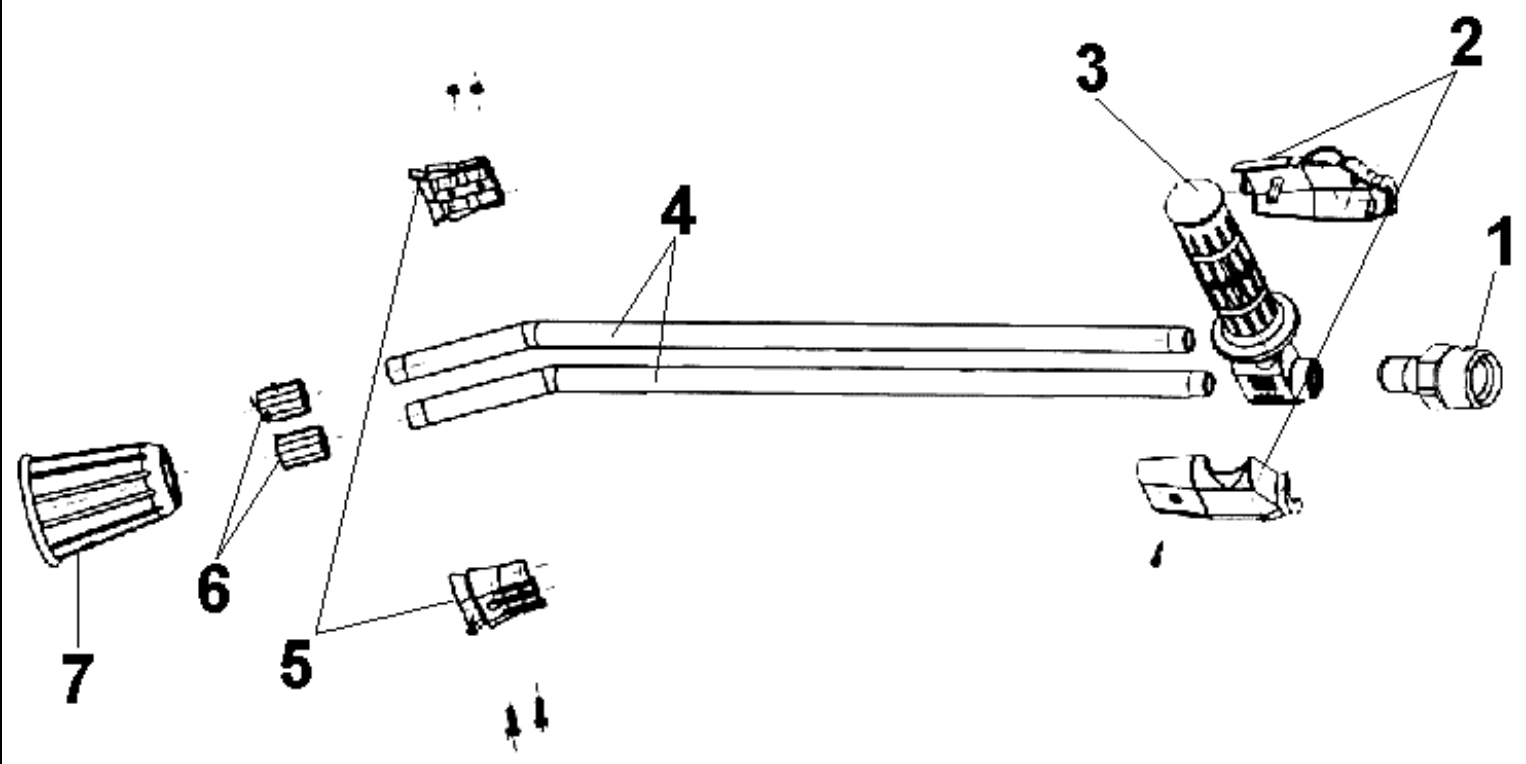
| Ref. | K | Part N. | Customer Part N. | Description | Qty | Validity: | | Price |
|------|---|-----------|------------------|--------------------------------------|------|-----------|----|-------|
| | | | | | | From | To | |
| K | | METT40664 | | CONTACTOR SIE 3RT 1017 1AV01 400V | 1,00 | | | -- |
| S | | MEPF39924 | | PRESSURE SWITCHSLV N.A. 16(6)A XGA 2 | 1,00 | | | -- |
| IG | | MECI89816 | | MICROSWITCH XGG2-86 Z284 | 1,00 | | | -- |
| TM | | METY89835 | | TIMER THV/1+OPTO 380V 5/60 30S | 1,00 | | | -- |
| CV1 | | MECB40002 | | CABLE H07 RNF 4X1.5 L=6.500 | 1,00 | | | -- |



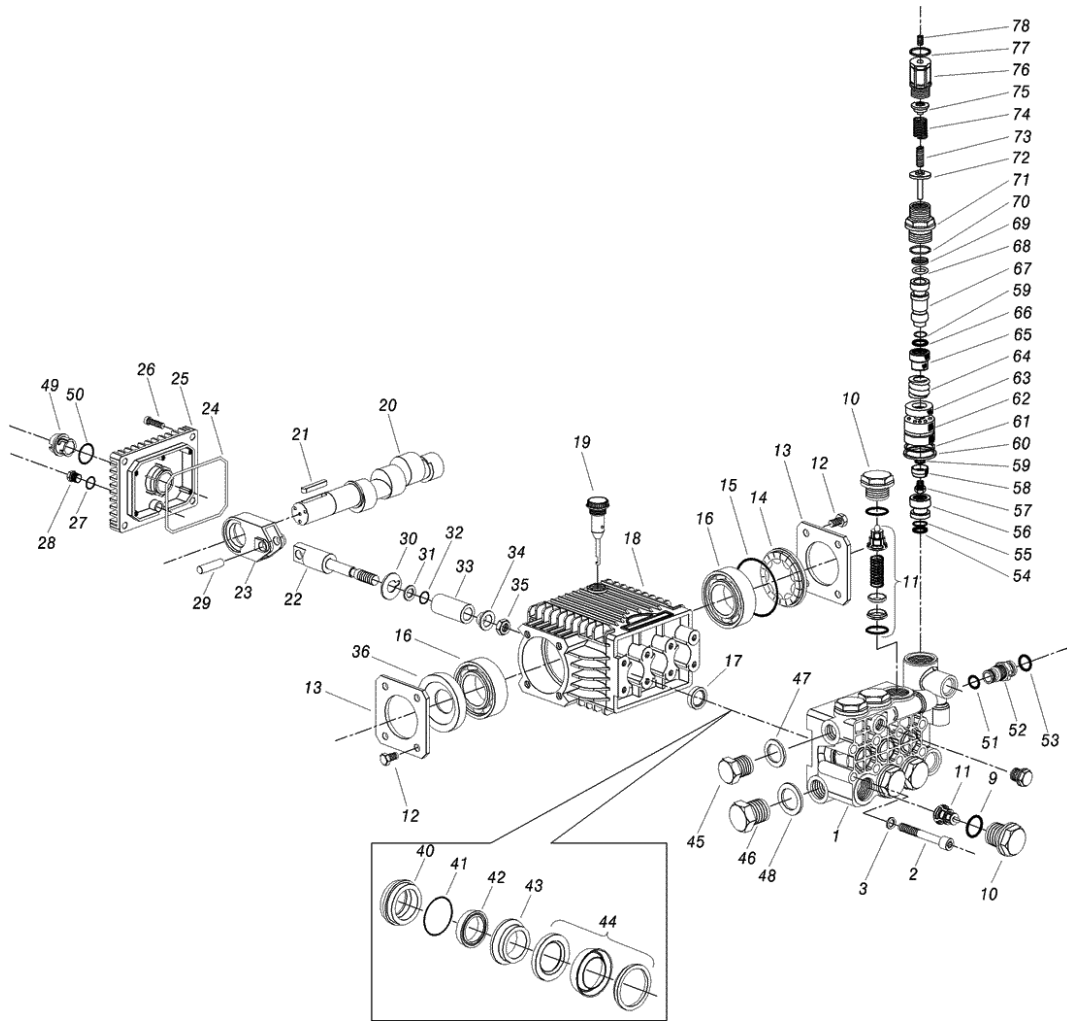
| Ref. K | Part N. | Customer Part N. | Description | Qty | Validity: | | Price |
|--------|-----------|------------------|---------------------------------|------|-----------|----|-------|
| | | | | | From | To | |
| 0001 | RCDS59682 | | CAP G 1/8 CN | 1,00 | | | -- |
| 0002 | MLML47996 | | SPRING D. 5.5 | 1,00 | | | -- |
| 0003 | PVVR40014 | | HOSE FITTING P237-MV | 1,00 | | | -- |
| 0004 | UGEI40002 | | NOZZLE D. 2.1 MV OT. | 1,00 | 10/2006 | | -- |
| 0005 | PVVR47994 | | BALL SEAT MV 625 | 1,00 | | | -- |
| 0006 | PVVR47995 | | METERING. BODY MV 625 GIR. | 1,00 | | | -- |
| 0007 | PVVR40015 | | METERING. BODY G1/2 P237 | 1,00 | | | -- |
| 0008 | GUGO01058 | | O-RING D. 17.17 X 1.78 NBR 70SH | 2,00 | | | -- |
| 0009 | VTAE06193 | | CIRCLIP D. 20 UNI 7435 | 1,00 | | | -- |
| 0010 | SFVR04274 | | BALL D. 7/32 | 1,00 | | | -- |



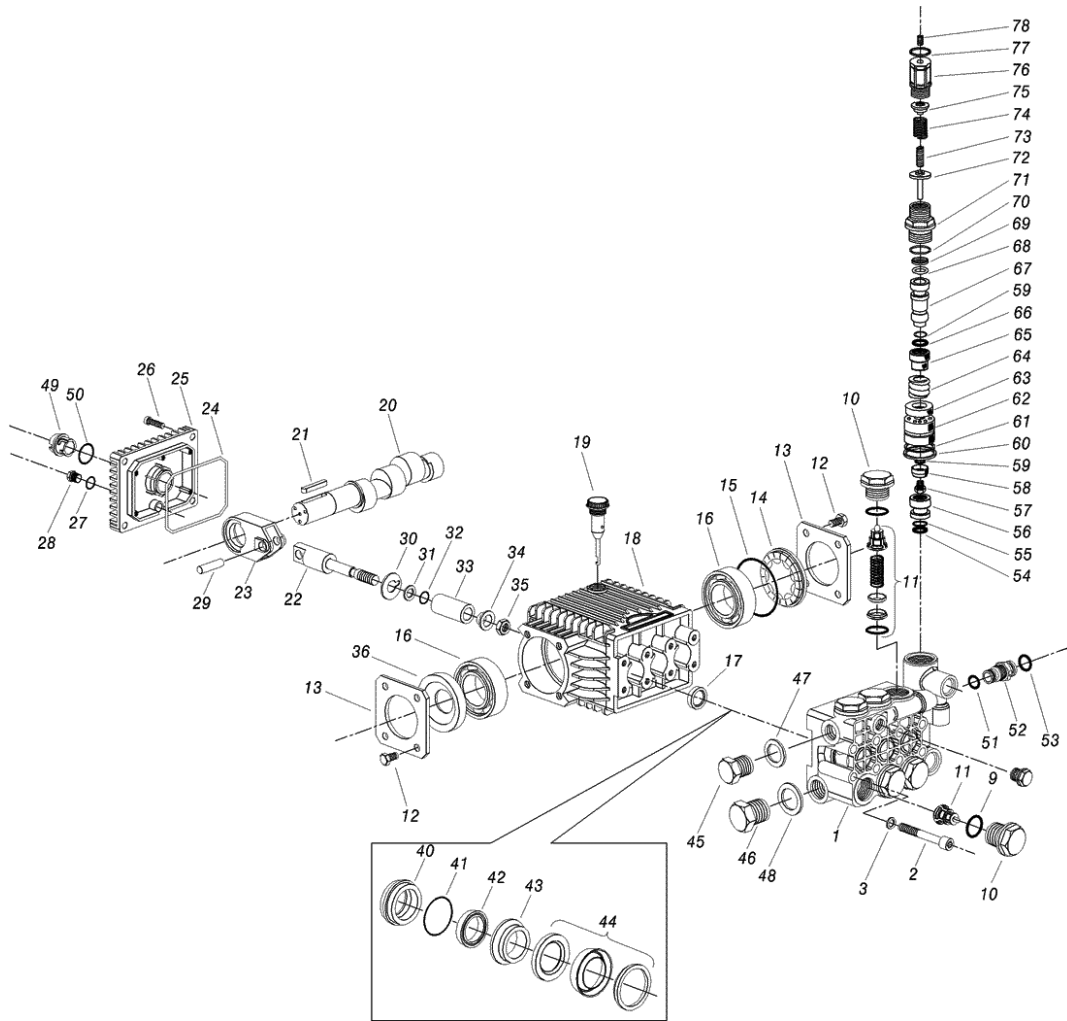
| Ref. K | Part N. | Customer Part N. | Description | Qty | Validity: From To | Price |
|--------|-----------|------------------|---------------------------------|-------|----------------------|-------|
| 0001 | MPVR46562 | | SHELL G 4500 | 1,00 | | -- |
| 0002 | MPVR46563 | | COVER G 4500 | 1,00 | | -- |
| 0003 | PVVR46564 | | GUN BODY G 4500 G1/4 OT. | 1,00 | | -- |
| 0004 | MPVR46565 | | TRIGGER G 4500 | 1,00 | | -- |
| 0005 | PVVR46566 | | SMALL PISTON G 4500 CPL. | 1,00 | | -- |
| 0006 | PVVR46567 | | PISTON GUIDE G 4500 CPL. | 1,00 | | -- |
| 0007 | VTVR46568 | | PLUG G 4500 | 2,00 | | -- |
| 0008 | MPVR40006 | | PLATE ST2300 BK. | 1,00 | | -- |
| 0009 | VTVT28553 | | SCREW TCB-TC 3.5X16 | 11,00 | | -- |
| 0010 | PVVR40022 | | TUBE G 1/4" M/M | 1,00 | | -- |
| 0011 | RCDS40005 | | NIPPLE G 3/8 G 1/4F ST2300 | 1,00 | | -- |
| 0012 | MPVR46570 | | PROTECTION P 330 ST | 1,00 | | -- |
| 0013 | PVVR13440 | | SHELL PROTECTI.ST | 2,00 | | -- |
| 0015 | LCPR46571 | | TUBE 1/4 L=352 INOX | 1,00 | | -- |
| 0016 | MPVR46572 | | SPACER P 330 ST | 1,00 | | -- |
| 0017 | VTRS04931 | | WASHER COPPER D.13X19X1.5 | 1,00 | | -- |
| 0018 | PVVR13445 | | CONNECTION M 22X1,5 L=45 | 1,00 | | -- |
| 0019 | RCVR13030 | | GUDGEON G 1/4 F L=31.5 | 1,00 | | -- |
| 0020 | GUVR10526 | | ANTI-EXTR.RING D.13.9X10.2 C.BZ | 1,00 | | -- |
| 0021 | GUGO10525 | | O-RING D. 9.3 X 2.4 NBR 70SH | 1,00 | | -- |
| 0022 | GUGO11225 | | O-RING D. 10.78 X 2.62 NBR 70SH | 1,00 | | -- |



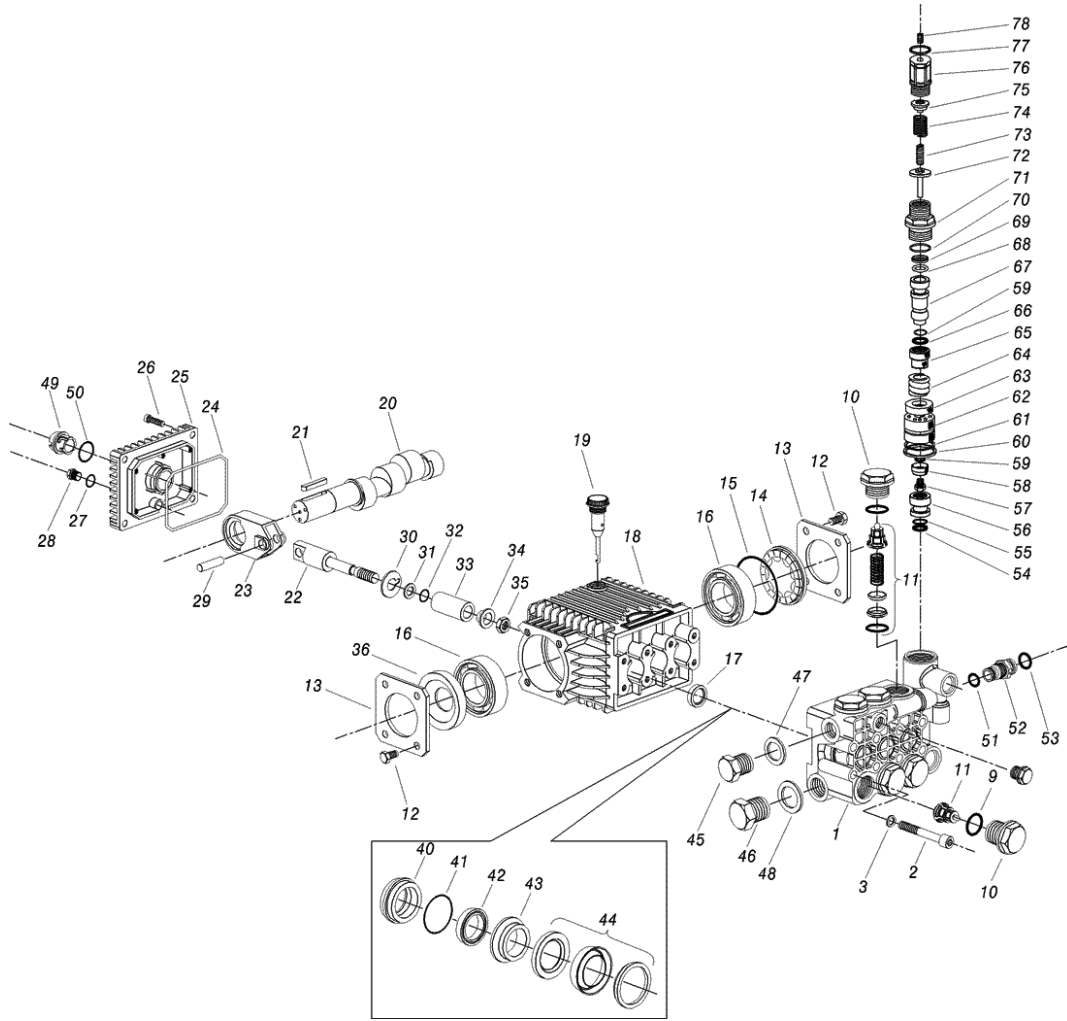
| Ref. K | Part N. | Customer Part N. | Description | Qty | Validity: | | Price |
|--------|-----------|------------------|-----------------------------|------|-----------|----|-------|
| | | | | | From | To | |
| 0001 | PVVR45296 | | COUPLING G 1/4M -M22 M | 1,00 | | | -- |
| 0002 | MPVR45214 | | PROTECTION TB.1/4 MTM | 1,00 | | | -- |
| 0003 | RCGR45737 | | TAP 1/4 F LD MTM | 1,00 | | | -- |
| 0004 | LCPR45738 | | TUBE 1/8 L=500 INOX MTM | 2,00 | | | -- |
| 0005 | MPVR45001 | | SHELL LD MTM | 1,00 | | | -- |
| 0006 | RCVR45741 | | NOZZLE HOLDER 1/4-1/8 F MTM | 2,00 | | | -- |
| 0007 | PVVR43810 | | PROTECTION L.D. MTM | 1,00 | | | -- |



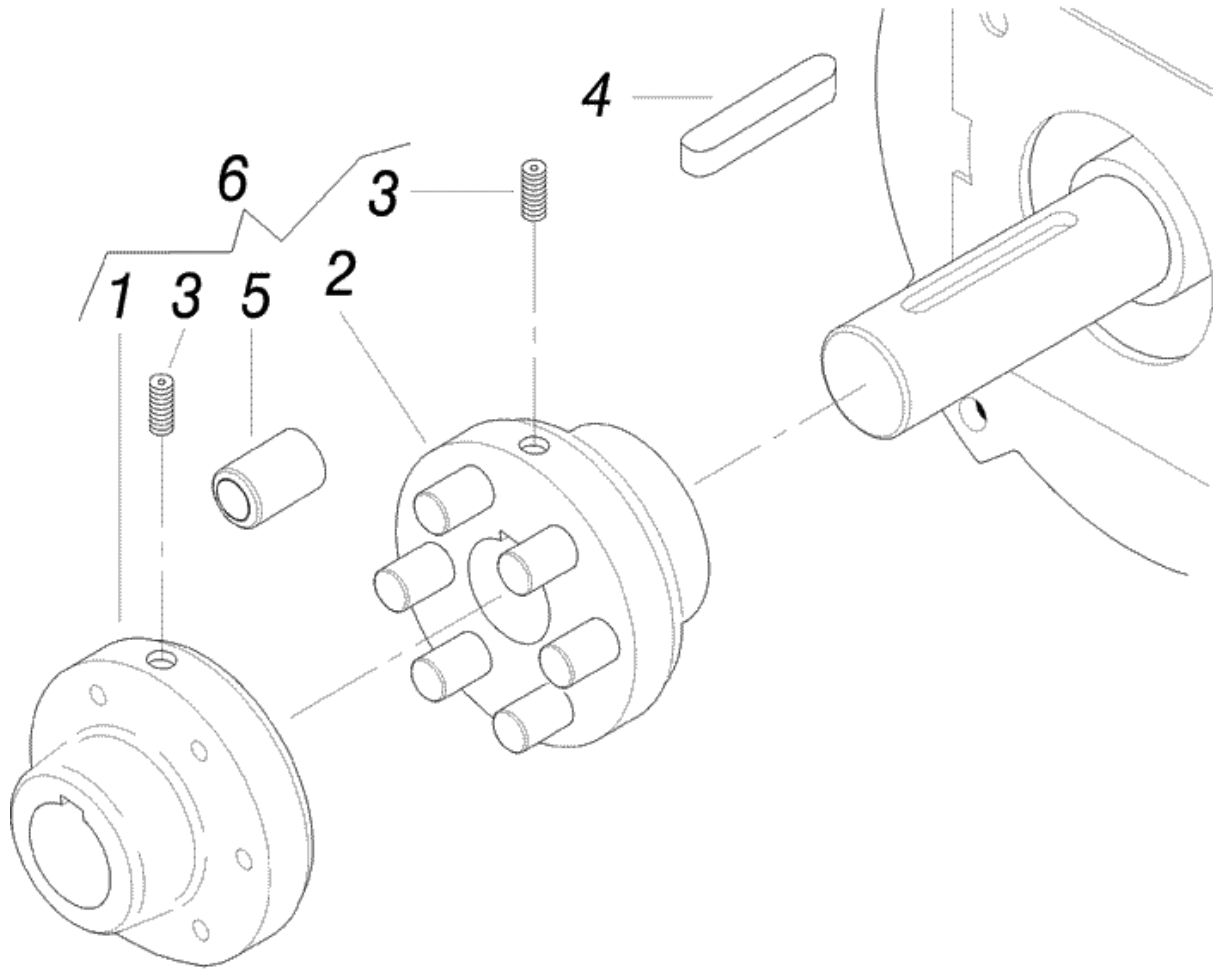
| Ref. | K | Part N. | Customer Part N. | Description | Qty | Validity: From To | Price |
|------|---|-----------|------------------|-----------------------------------|------|----------------------|-------|
| 0001 | | MFVR46813 | | HEAD "63" D.18 V.INT.TS OT | 1,00 | | -- |
| 0002 | | VTVT46018 | | SCREW TCEI M 8X 65 UNI 5931 TRP | 8,00 | | -- |
| 0003 | | VTRS14242 | | WASHER D. 8.4X13X0.8 UNI7064 SCH | 8,00 | | -- |
| 0009 | S | GUGO19395 | | O-RING D. 20.24 X 2.62 NBR 70SH | 6,00 | | -- |
| 0010 | S | RCDS28466 | | CAP M24X1.5X17 "44" | 6,00 | | -- |
| 0011 | S | VVAM28467 | | VALVE UNIT "44" WW136-186 | 6,00 | | -- |
| 0012 | | VTVT01109 | | SCREW TE M 6X 10 ZC. UNI 5739 | 8,00 | | -- |
| 0013 | | MFVR03562 | | CRANKASE COVER W 70 | 2,00 | | -- |
| 0014 | | MFVR28454 | | SPACER "44" | 1,00 | | -- |
| 0015 | | GUGO01040 | | O-RING D. 55.56 X 3.53 NBR 70SH | 1,00 | | -- |
| 0016 | | CUVR09654 | | BALL BEARING 6305 | 2,00 | | -- |
| 0017 | S | GUGO46019 | | OIL SEAL 18X 26X 6 -L.CM -NBR70SH | 3,00 | | -- |
| 0018 | | MFVR46020 | | PUMP CRANKCASE "63" | 1,00 | | -- |
| 0019 | | PVVR01089 | | OIL DIPSTICK W 70 | 1,00 | | -- |
| 0020 | | ALMO46815 | | SHAFT "63" N C.13 D.24 | 1,00 | | -- |
| 0021 | | VTVR45821 | | KEY 8X 7X22 UNI 6604 | 1,00 | | -- |
| 0022 | | PVVR46022 | | PISTON GUIDE "63" | 3,00 | | -- |
| 0023 | | BLVR46023 | | CONNECTING ROD "63" | 3,00 | | -- |
| 0024 | | GUGO18695 | | O-RING D. 101.27 X 2.62 NBR 70SH | 1,00 | | -- |
| 0025 | | MFVR46024 | | CRANKASE COVER "63" | 1,00 | | -- |
| 0026 | | VTVT01114 | | SCREW TCEI 6X14 UNI 5931 | 4,00 | | -- |
| 0027 | | GUGO01036 | | O-RING D. 10.82 X 1.78 NBR 70SH | 1,00 | | -- |
| 0028 | | RCDS01088 | | CAP 1/4X 9 M WW90 | 2,00 | | -- |
| 0029 | | PVVR46025 | | GUDGEON D. 9X27,5 "63" | 3,00 | | -- |
| 0030 | | VTRS46026 | | WASHER D. 9X25X0,5 "63" | 3,00 | | -- |
| 0031 | | GUVR10257 | | ANTI-EXTR.RING WW161 | 3,00 | | -- |
| 0032 | | GUGO10464 | | O-RING D. 5.28 X 1.78 NBR 70SH | 3,00 | | -- |
| 0033 | | PIVR28455 | | PISTON D.18 "44" | 3,00 | | -- |
| 0034 | | VTRS46027 | | WASHER D. 8 C/CLL. | 3,00 | | -- |
| 0035 | | VTDD04284 | | NUT M8X1,25 X13X5 S2 INX | 3,00 | | -- |
| 0036 | | GUGO28465 | | OIL SEAL 25X 62X10 NBR70 | 1,00 | | -- |
| 0040 | S | PVVR46028 | | PACKING RETAIN.D. 18 "63" | 3,00 | | -- |
| 0041 | S | GUGO01263 | | O-RING D. 28.30 X 1.78 NBR 70SH | 3,00 | | -- |
| 0042 | S | GUVR46029 | | PACKING D. 18 L.P. "63" | 3,00 | | -- |
| 0043 | S | PVVR46030 | | INTERMED. RING D. 18 "63" | 3,00 | | -- |
| 0044 | S | GUVR46031 | | PACKING D. 18 H.P. "63" | 3,00 | | -- |
| 0045 | | RCDS01090 | | CAP 3/8X13 M WW90 | 1,00 | | -- |
| 0046 | | RCDS01091 | | CAP 1/2X10 M | 1,00 | | -- |
| 0047 | | VTRS01074 | | WASHER D.17,05X22,3 X1,5 | 1,00 | | -- |



| Ref. | K | Part N. | Customer Part N. | Description | Qty | Validity: | | Price |
|------|---|-----------|------------------|---------------------------------|------|-----------|----|-------|
| | | | | | | From | To | |
| 0048 | | VTRS01075 | | WASHER D.21,5X27 ALL | 1,00 | | | -- |
| 0049 | | PVVR46032 | | OIL INDICATOR S."63" | 1,00 | | | -- |
| 0050 | | GUGO01044 | | O-RING D. 26.58 X 3.53 NBR 70SH | 1,00 | | | -- |
| 0051 | | GUGO19194 | | O-RING D. 11.11 X 1.78 NBR 70SH | 1,00 | | | -- |
| 0052 | | PVVR46785 | | CONNECTOR TS "63" VALV.H | 1,00 | | | -- |
| 0053 | | GUGO09720 | | O-RING D. 14 X 1.78 NBR 70SH | 1,00 | | | -- |
| 0054 | S | GUVR11651 | | ANTI-EXTR.RING D. 10.6X15X2 | 1,00 | | | -- |
| 0055 | S | GUGO03501 | | O-RING D. 9.92 X 2.62 VIT 70SH | 1,00 | | | -- |
| 0056 | S | PVVR12887 | | VALVE SEAT CONTROL SET W1 | 1,00 | | | -- |
| 0057 | S | VTVT18667 | | SCREW M 5X0,8X7,5 | 1,00 | | | -- |
| 0058 | S | PVVR18668 | | VALVE CLT | 1,00 | | | -- |
| 0059 | S | GUGO03497 | | O-RING D. 6.75 X 1.78 VIT 80SH | 2,00 | | | -- |
| 0060 | S | GUVR28469 | | ANTI-EXTR.RING D.22 X25X1,5 | 1,00 | | | -- |
| 0061 | S | GUGO08182 | | O-RING D. 21.91 X 1.78 NBR 70SH | 1,00 | | | -- |
| 0062 | S | PVVR28470 | | VALVE GUIDE "44" | 1,00 | | | -- |
| 0063 | S | PVVR28471 | | VALVE "44" | 1,00 | | | -- |
| 0064 | S | MLML28472 | | SPRING D. 18.5 X11 "44" | 1,00 | | | -- |
| 0065 | S | PVVR28473 | | SPACER "44" | 1,00 | | | -- |
| 0066 | S | GUVR04309 | | ANTI-EXTR.RING HM | 1,00 | | | -- |
| 0067 | S | PVVR28474 | | CONTROL PISTON "44" | 1,00 | | | -- |
| 0068 | S | GUGO01946 | | O-RING D. 9.13 X 2.62 VIT 70SH | 1,00 | | | -- |
| 0069 | S | GUVR01940 | | ANTI-EXTR.RING D. 9,5X14X1,5 | 1,00 | | | -- |
| 0070 | | GUGO01037 | | O-RING D. 23.81 X 2.62 NBR 70SH | 1,00 | | | -- |
| 0071 | | PVVR28475 | | BUSHING "44" | 1,00 | | | -- |
| 0072 | | PVVR28476 | | SPRING PLATE "44" INF. | 1,00 | | | -- |
| 0073 | | MLML28477 | | SPRING D. 7.6 X29 "44" | 1,00 | | | -- |
| 0074 | | MLML11655 | | SPRING D.15X35 | 1,00 | | | -- |
| 0075 | | PVVR11656 | | SPRING PLATE W1 | 1,00 | | | -- |
| 0076 | | PVVR18672 | | REGISTER COLT | 1,00 | | | -- |
| 0077 | | GUGO01057 | | O-RING D. 20.35 X 1.78 NBR 70SH | 1,00 | | | -- |
| 0078 | | VTVT20196 | | SCREW EI-ST 8X20 UNI5923 | 1,00 | | | -- |



| Ref. Part N. | Cust. Part N. | Description | Reference | Price |
|--------------|---------------|-------------|---|-------|
| KTRI28508 | KIT P | 15-123 | 0011 | -- |
| KTRI28510 | KIT P | 15-124 | 0009 0010 | -- |
| KTRI28526 | KIT P | 137 | 0054 0055 0056 0057 0058 0059 0060 0061 0062 0063 0064 0065 0066 0067 0068 0069 | -- |
| KTRI46033 | KIT P | 15-159 | 0017 | -- |
| KTRI46034 | KIT P | 15-161 | 0042 0044 | -- |
| KTRI46035 | KIT P | 15-163 | 0040 | -- |
| KTRI46036 | KIT P | 15-165 | 0043 | -- |
| KTRI46037 | KIT P | 15-167 | 0040 0041 0042 0043 0044 | -- |



| Ref. K | Part N. | Customer Part N. | Description | Qty | Validity: | | Price |
|--------|-----------|------------------|--------------------------------|------|-----------|----|-------|
| | | | | | From | To | |
| 0001 | FGGT46926 | | HALF COUPLING W1 | 1,00 | | | -- |
| 0002 | FGGT40000 | | HALF COUPLING W1 MOT. | 1,00 | | | -- |
| 0003 | VTVT76580 | | SCREW M 8X 10 EI ST UNI 5929 Z | 2,00 | | | -- |
| 0004 | VTVR45821 | | KEY 8X 7X22 UNI 6604 | 1,00 | | | -- |
| 0005 | FGGT04612 | | BUSHING IP | 6,00 | | | -- |
| 0006 | FGGT45424 | | FLEX. COUPLING W 1 2PZ. P176 | 1,00 | | | -- |